

T555STGBC

Parts Catalog

목 차

1. 엔진 PART NO. EG

FIG 100 ENGINE	7
FIG 101A CYLINDER BLOCK (T554)	9
FIG 102 GEAR HOUSING	11
FIG 103 FLYWHEEL HOUSING & OIL SUMP	13
FIG 104A CYLINDER HEAD & BONNET (T554)	15
FIG 105A SUCTION MANIFOLD (T554)	18
FIG 106A EXHAUST MANIFOLD (T554)	20
FIG 107A DIESEL PARTICULATE FILTER (T554)	22
FIG 108 CAMSHAFT & DRIVING GEAR	24
FIG 109 TURBINE (T554)	26
FIG 110A CRANKSHAFT & PISTON (T554)	28
FIG 111 BALANCER	30
FIG 112A LUB. OIL SYSTEM (T554)	32
FIG 113 LUB. OIL LINE (T554)	34
FIG 114 COOLING WATER SYSTEM	36
FIG 115 FUEL SUPPLY PUMP	38
FIG 116A FUEL INJECTION VALVE (T554)	40
FIG 117 FUEL LINE	42
FIG 118 STARTING MOTOR	44
FIG 119 GENERATOR	46
FIG 120A ELECTRONIC CONTROL UNIT (T554)	48
FIG 121A ELECTRIC PARTS (T554)	50
FIG 122A ACCESSORY (T554)	52

2. 엔진보기품 PART NO. T2

FIG 201 AIR CLEANER	55
FIG 202 RADIATOR	57
FIG 203 MUFFLER	59
FIG 204 FUEL HOSE & FILTER	61
FIG 205 FUEL TANK	63

FIG 206 ACCELERATOR	65
FIG 208 FAN , COOLING	67

3. 클러치/브레이크/스티어링 PART NO. T3

FIG 301 CLUTCH	70
FIG 302 CLUTCH PEDAL	72
FIG 303 BRAKE	74
FIG 304 BRAKE PEDAL & LINKAGE	76
FIG 305A FRONT WHEEL	78
FIG 305B FRONT WHEEL (R4 OPTION)	80
FIG 306A REAR WHEEL	82
FIG 306B REAR WHEEL (R4 OPTION)	84
FIG 307 POWER STEERING WHEEL	86
FIG 308 POWER STEERING VALVE	88
FIG 309 POWER STEERING CYLINDER	90
FIG 310 HAND BRAKE	92

4. 트랜스미션 PART NO. T4

FIG 401 TRANSMISSION FRONT CASE	95
FIG 402 FORWARD & BACKWARD GEARS	97
FIG 403 IDLE & COUNTER GEARS	99
FIG 404 MAIN SHIFT GEARS	101
FIG 405 P.T.O DRIVE SHAFT	103
FIG 406 MAIN CHANGE LEVER	105
FIG 407 REVERSE CHANGE LEVER	107
FIG 408 TRANSMISSION MID CASE	109
FIG 409 TRANSMISSION REAR CASE	111
FIG 410 SUB CHANGE GEARS	113
FIG 411 SUB CHANGE SHIFTER	115
FIG 413 DRIVE GEARS	117
FIG 414 4WD CHANGE LEVER	119
FIG 415 P.T.O CHANGE GEARS	121
FIG 416 P.T.O CHANGE SHIFTER	123
FIG 417 REAR DIFFERENTIAL GEARS	125
FIG 418 REAR AXLE HOUSING	128

5. 프론트 액슬 PART NO. T5

FIG 501 FRONT AXLE SUPPORT	131
----------------------------	-----

FIG 502 FRONT DRIVE SHAFT	133
FIG 503 FRONT AXLE HOUSING	135
FIG 504 FRONT DIFFERENTIAL GEARS	137
FIG 505 FRONT GEAR CASE (1)	139
FIG 506 FRONT GEAR CASE (2)	141
FIG 507 FRONT GEAR CASE (3)	143

6. 유압/3점 링크 PART NO. T6

FIG 601 CYLINDER CASE	146
FIG 602 LIFT ARM	148
FIG 603 CYLINDER	150
FIG 604 POSITION LINK	152
FIG 605 CONTROL VALVE	154
FIG 606 DRAFT LINK	156
FIG 607 POSITION & DRAFT LEVER	158
FIG 608 EXTERIOR HYD.VALVE	160
FIG 609 HYDRAULIC PIPE	162
FIG 610 JOYSTICK	165
FIG 611 HYDRAULIC HOSE	167
FIG 612 HITCH & 3-POINT LINK	169
FIG 613 HITCH & 3-POINT LINK	172

7. 시트메탈/캐빈 PART NO. T7

FIG 701 HOOD (1)	175
FIG 702 HOOD (2)	177
FIG 704A LEVER COVER & STEP	179
FIG 705 FRONT & REAR MOUNTING	181
FIG 706 SEAT & MAT	183
FIG 709 DOOR	185
FIG 710A FRONT GLASS	188
FIG 711 SIDE GLASS	190
FIG 712 REAR GLASS	192
FIG 713A SUB FENDER & COVER	194
FIG 714A MIRROR	196
FIG 715A HEATER & AIR-CON	198
FIG 715B HEATER & AIR-CON	200

FIG 716 FENDER COVER	202
FIG 717 ROOF	204
FIG 718 CABIN INTERIOR	206

8. 전장 PART NO. T8

FIG 801 BATTERY MOUNTING	209
FIG 802 LIGHT & BACK LAMP	211
FIG 803 INSTRUMENT PANEL	213
FIG 804 ELECTRIC SYSTEM (1)	215
FIG 805A ELECTRIC SYSTEM (2)	217
FIG 806 ELECTRIC SYSTEM (3)	219

9. 라벨/옵션 PART NO. T9

FIG 901 TOOL & ACCESSORY	222
FIG 902 WEIGHT	224
FIG 903 LABEL	226

1. 엔진 PART NO. EG

FIG 100 ENGINE	7
FIG 101A CYLINDER BLOCK (T554)	9
FIG 102 GEAR HOUSING	11
FIG 103 FLYWHEEL HOUSING & OIL SUMP	13
FIG 104A CYLINDER HEAD & BONNET (T554)	15
FIG 105A SUCTION MANIFOLD (T554)	18
FIG 106A EXHAUST MANIFOLD (T554)	20
FIG 107A DIESEL PARTICULATE FILTER (T554)	22
FIG 108 CAMSHAFT & DRIVING GEAR	24
FIG 109 TURBINE (T554)	26
FIG 110A CRANKSHAFT & PISTON (T554)	28
FIG 111 BALANCER	30
FIG 112A LUB. OIL SYSTEM (T554)	32
FIG 113 LUB. OIL LINE (T554)	34
FIG 114 COOLING WATER SYSTEM	36
FIG 115 FUEL SUPPLY PUMP	38
FIG 116A FUEL INJECTION VALVE (T554)	40
FIG 117 FUEL LINE	42
FIG 118 STARTING MOTOR	44
FIG 119 GENERATOR	46
FIG 120A ELECTRONIC CONTROL UNIT (T554)	48
FIG 121A ELECTRIC PARTS (T554)	50
FIG 122A ACCESSORY (T554)	52

FIG 100 T555STGBC	ENGINE	년/월 Year/Month
		2022-12
NOTE		

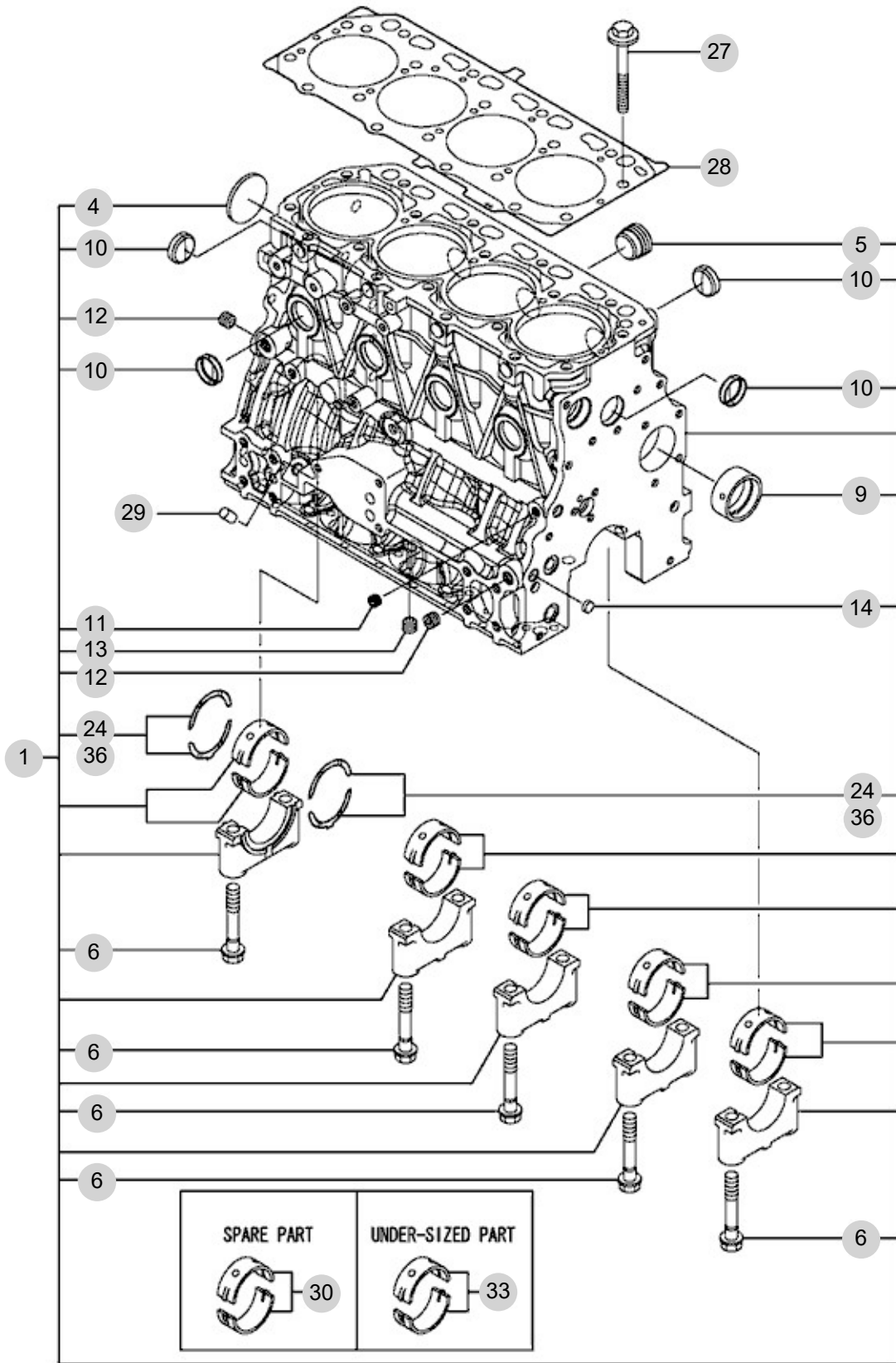
FIG 101A

CYLINDER BLOCK (T554)

년/월
Year/Month

2022-12

T555STGBC



NOTE

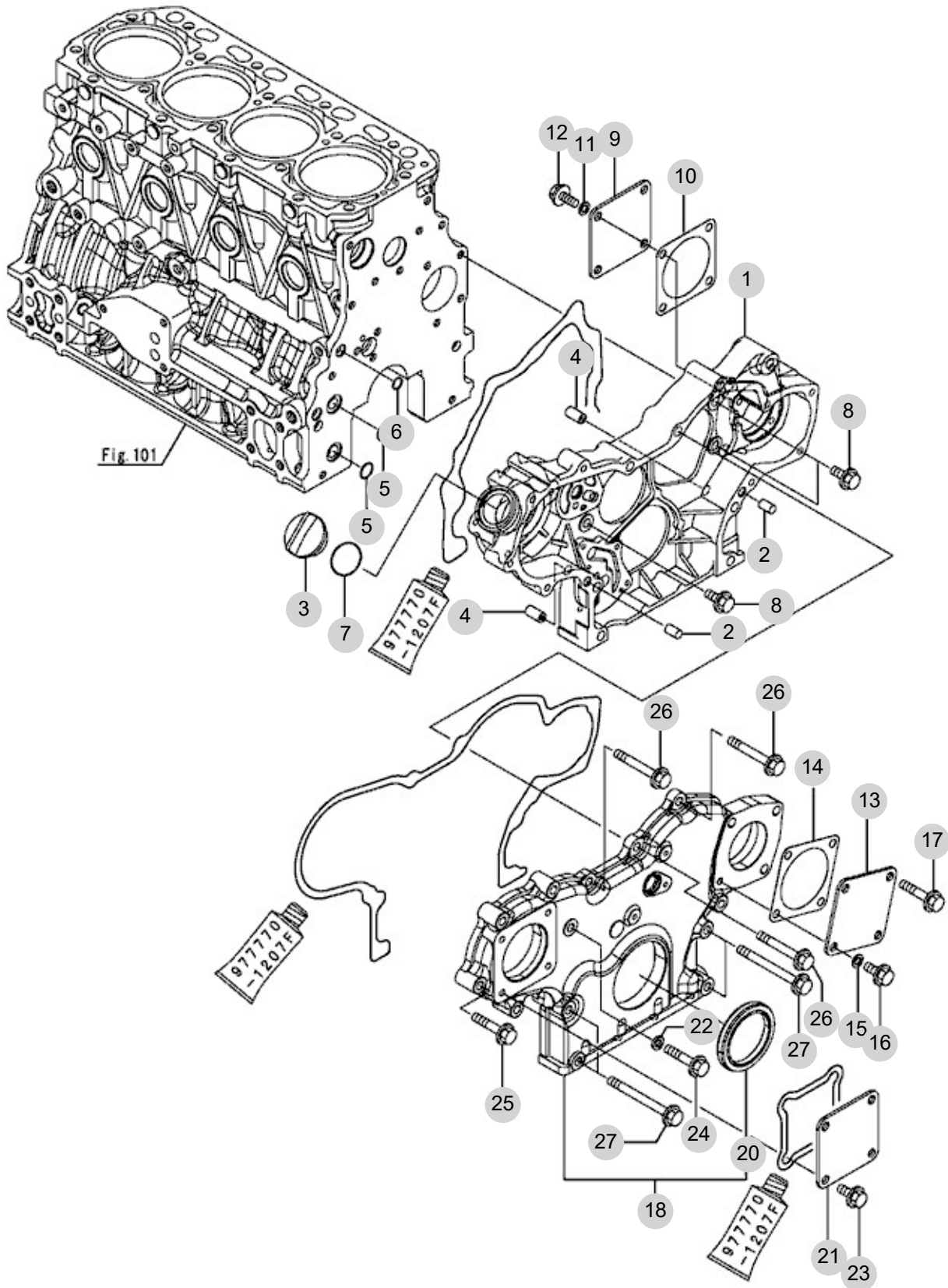
FIG 102

GEAR HOUSING

년/월
Year/Month

2022-12

T555STGBC



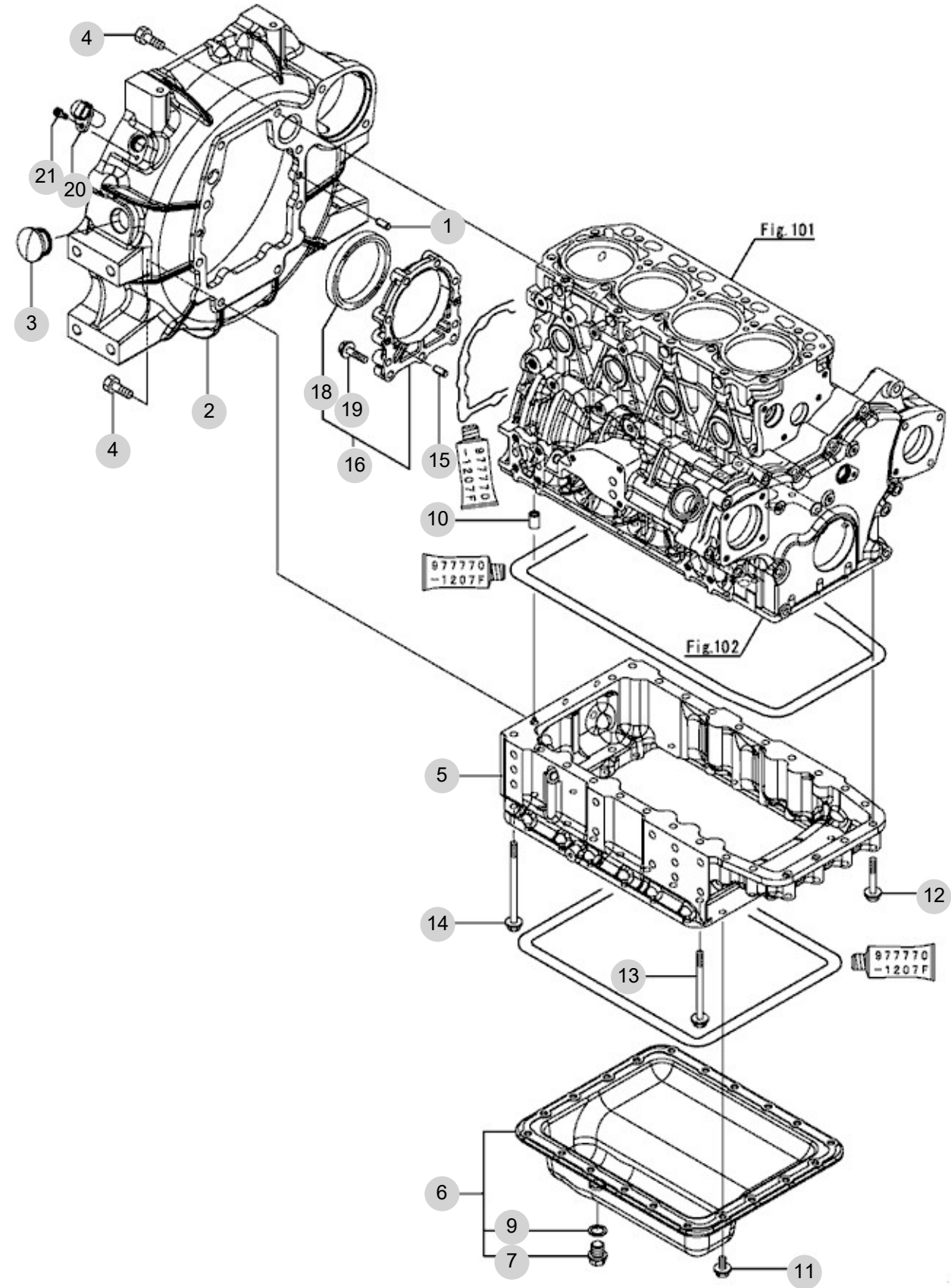
NOTE

FIG 103

FLYWHEEL HOUSING & OIL SUMP

년/월
Year/Month

2022-12



NOTE

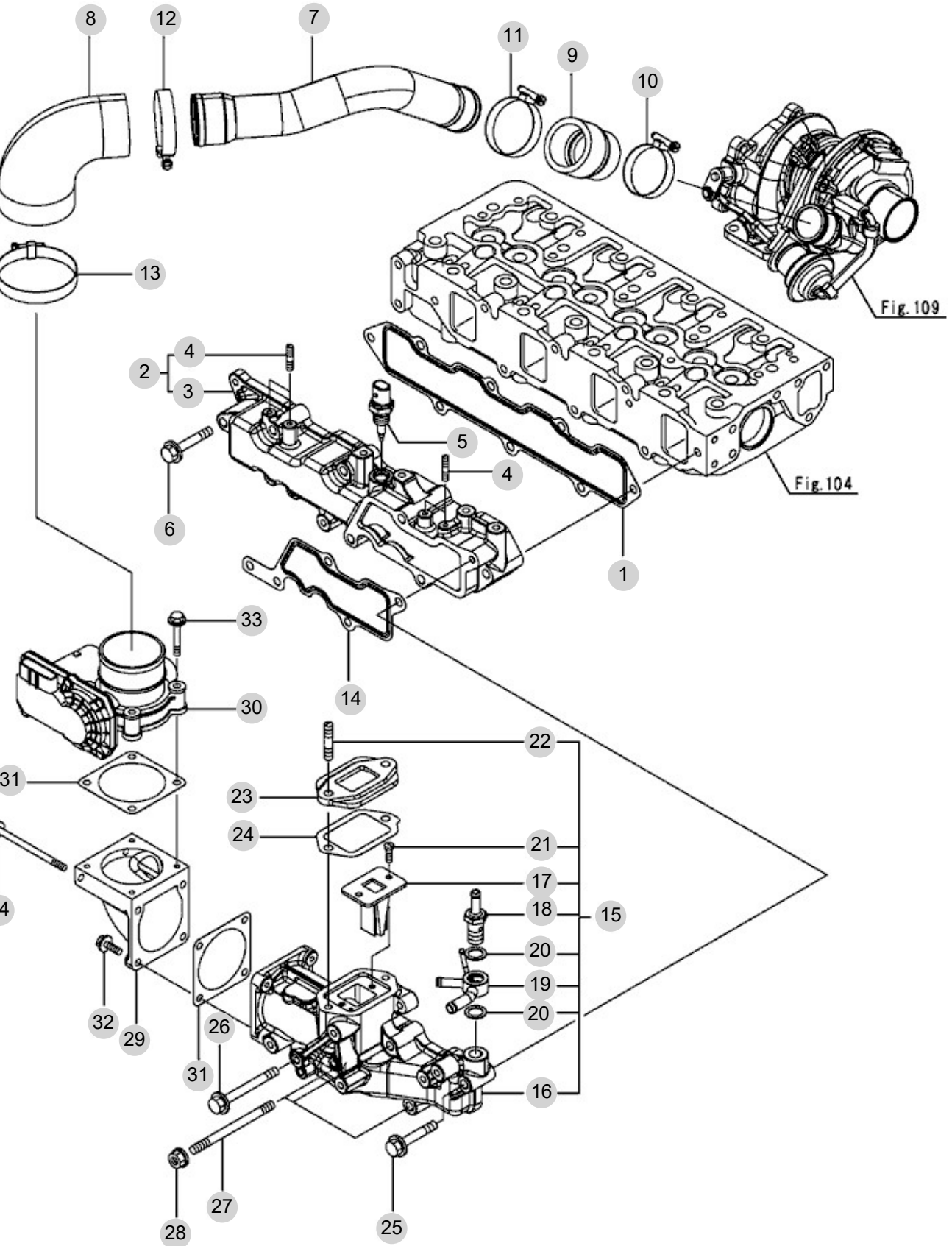
FIG 104A		CYLINDER HEAD & BONNET (T554)					년/월 Year/Month		
							2022-12		
T555STGBC		KEY NO	PART NO	DESCRIPTION	SPEC	QTY	REPAIR	EFFECTIVE DATE	REMARKS
104A	1	129601-11241	SHAFT ASSY, ROCKER			1			
104A	2	129601-11251	SHAFT, ROCKER ARM			1			
104A	4	119802-11260	SUPPORT, ?ROCKER?ARM			2			
104A	5	119802-11270	SUPPORT, ROCKER ARM			3			
104A	6	129150-11280	SPRING			4			
104A	7	129004-11650	ARM, ?ROCKER			8			
104A	8	129150-11230	SCREW, VALVE ADJUST			8			
104A	10	129150-11750	NUT, M8			8			
104A	11	26226-080182	STUD, ?M8X18			3			
104A	12	129150-11370	CAP, VALVE			8			
104A	13	129C01-11700	HEAD ASSY, CYLINDER			1			
104A	21	27241-400000	PLUG, ?40			2			
104A	22	129005-11100	VALVE, INTAKE			4			
104A	23	129795-11120	SPRING, VALVE			8			
104A	24	129100-11130	VALVE, ?EXHAUST			4			
104A	25	129795-11180	RETAINER, SPRING			8			
104A	26	124460-11340	SEAL, VALVE STEM			4			
104A	27	129A00-11340	SEAL, ?VALVE?STEM			4			
104A	28	27310-080001	COTTER, 8			8			
104A	30	129978-11871	GASKET, INJECTOR			4			
104A	31	129A00-11900	RETAINER, ?INJECTOR			4			
104A	32	120270-54410	WASHER, INJECTOR			4			
104A	33	22351-060012	스프링핀			2			
104A	34	26106-080252	육각플랜지볼트			3			
104A	35	26106-080352	육각플랜지볼트			4			
104A	36	26106-080502	BOLT, M8X50 PLATED			7			
104A	37	124160-01751	COVER, ?FILLER			1			
104A	38	129C01-11351	BONNET ASSY			1			
104A	39	129004-03010	PLATE			1			
104A	40	129150-03070	BAFFLE, ?BREATHER			1			
104A	41	123907-03100	DIAPHRAGM			1			
104A	42	123907-03110	PLATE			1			
104A	43	123907-03120	PLATE, ?BREATHER			1			
104A	44	123907-03140	SPRING, DIAPHRAGM			1			
104A	46	129C00-11310	GASKET, COVER			1			
104A	47	129A00-11330	JOINT			1			
104A	48	129009-11340	SPRING			1			
104A	49	129A00-12703	SENSOR, PRESSURE			1			
104A	50	129A00-12780	O-RING, PRES?SENSOR			2			
104A	51	129A00-13360	HOSE ASSY, PRES EXH			1			
104A	53	129A00-13380	CLIP, HOSE 14			2			
104A	54	119640-61400	PLUG			1			
104A	55	22857-500100	SCREW, 5X10			4			
104A	56	22857-500100	SCREW, 5X10			6			
104A	57	22857-500100	SCREW, ?5X10			1			
NOTE									

FIG 105A

SUCTION MANIFOLD (T554)

년/월
Year/Month

2022-12



NOTE

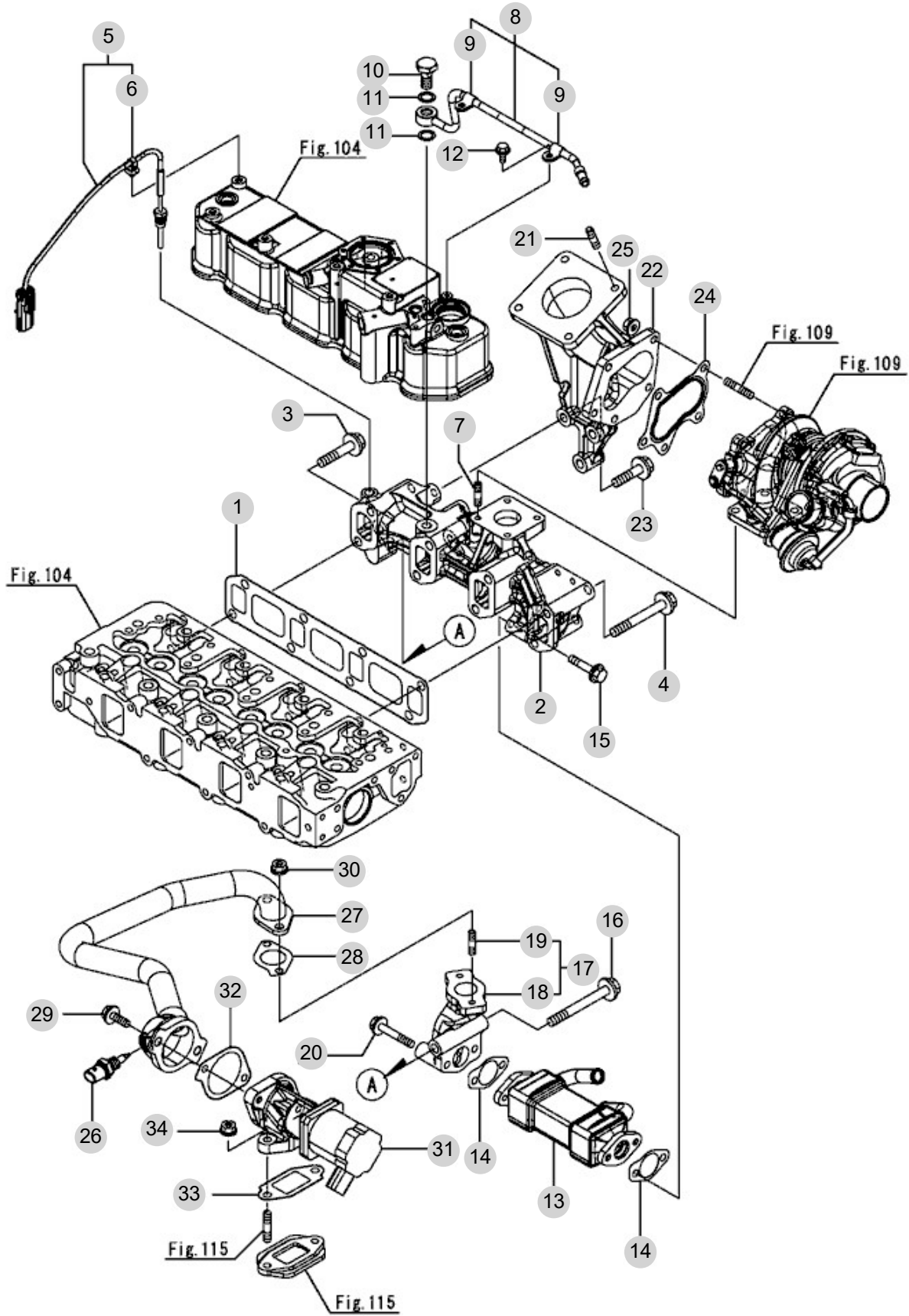
FIG 106A

EXHAUST MANIFOLD (T554)

년/월
Year/Month

2022-12

T555STGBC



NOTE

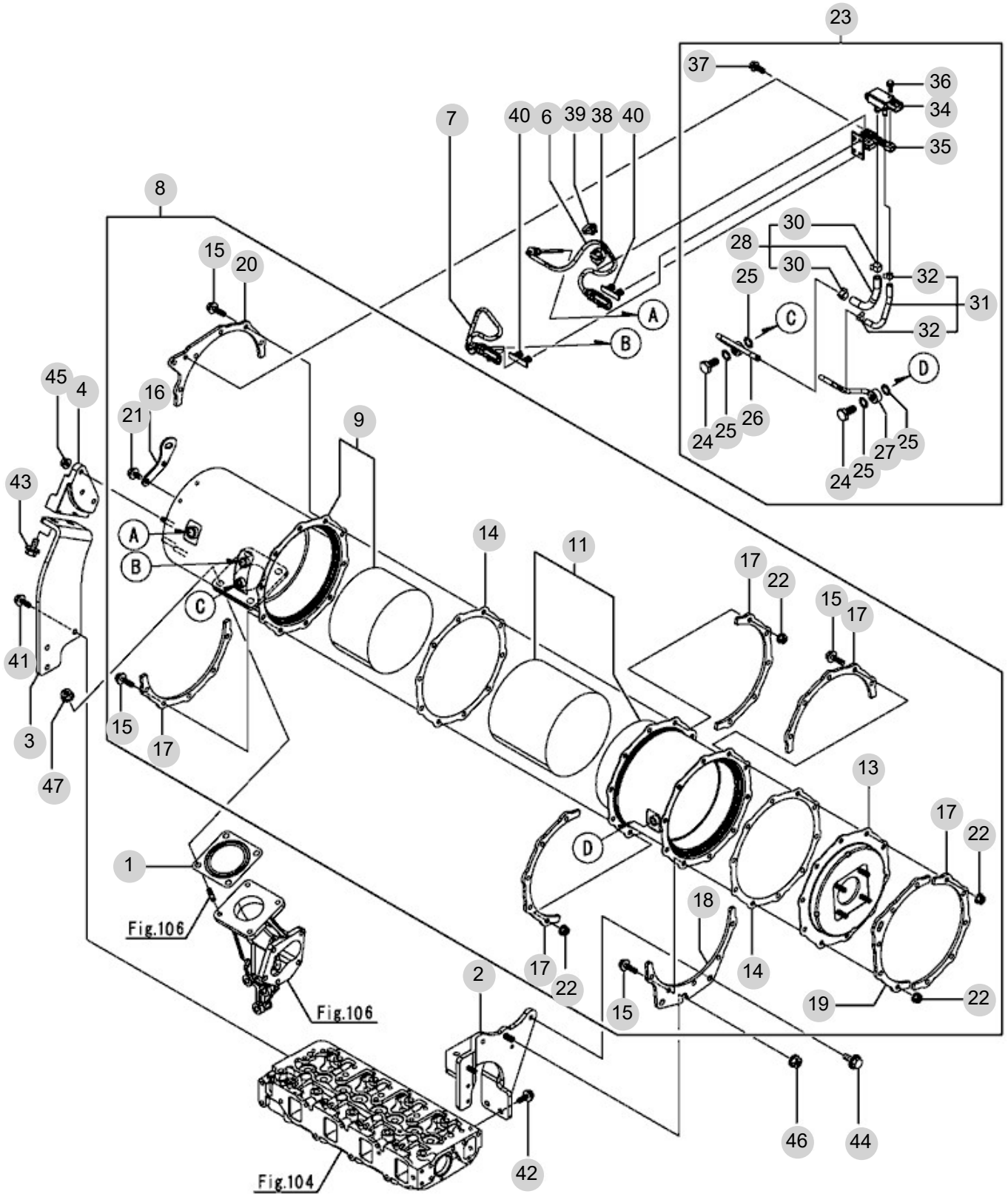
FIG 107A

T555STGBC

DIESEL PARTICULATE FILTER (T554)

년/월
Year/Month

2022-12



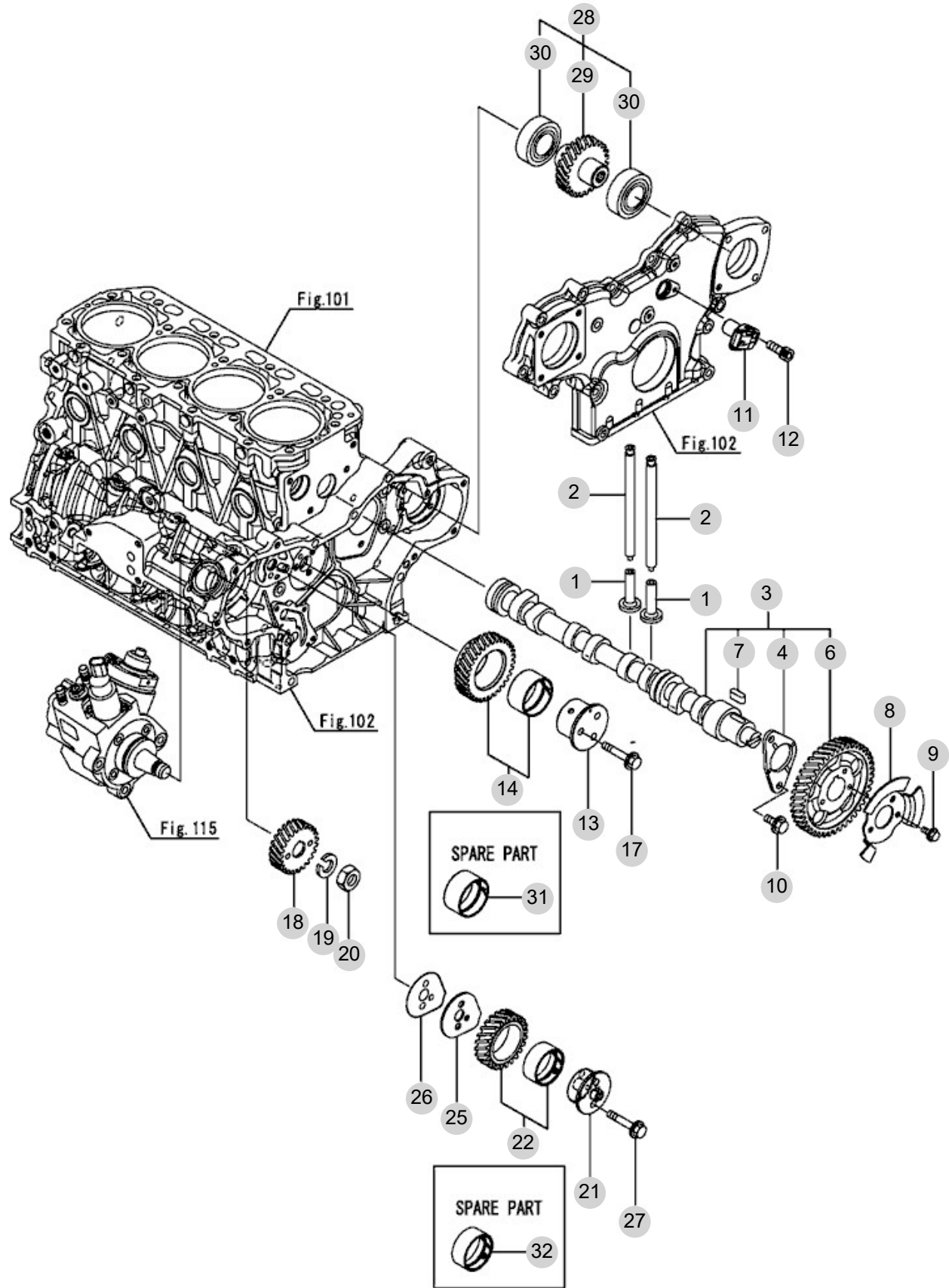
NOTE

FIG 108

CAMSHAFT & DRIVING GEAR

년/월
Year/Month

2022-12



NOTE

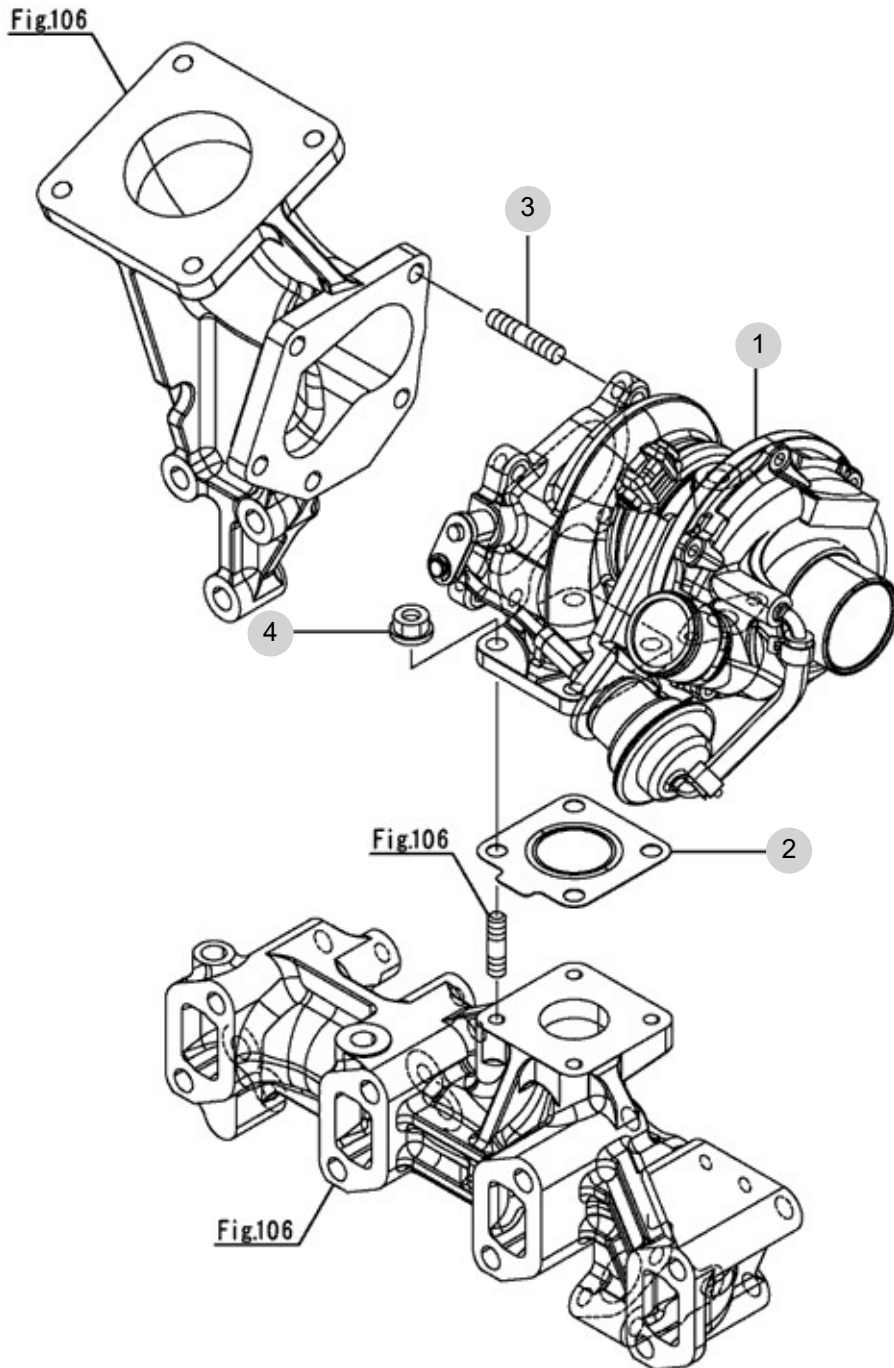
FIG 109

TURBINE (T554)

년/월
Year/Month

2022-12

T555STGBC



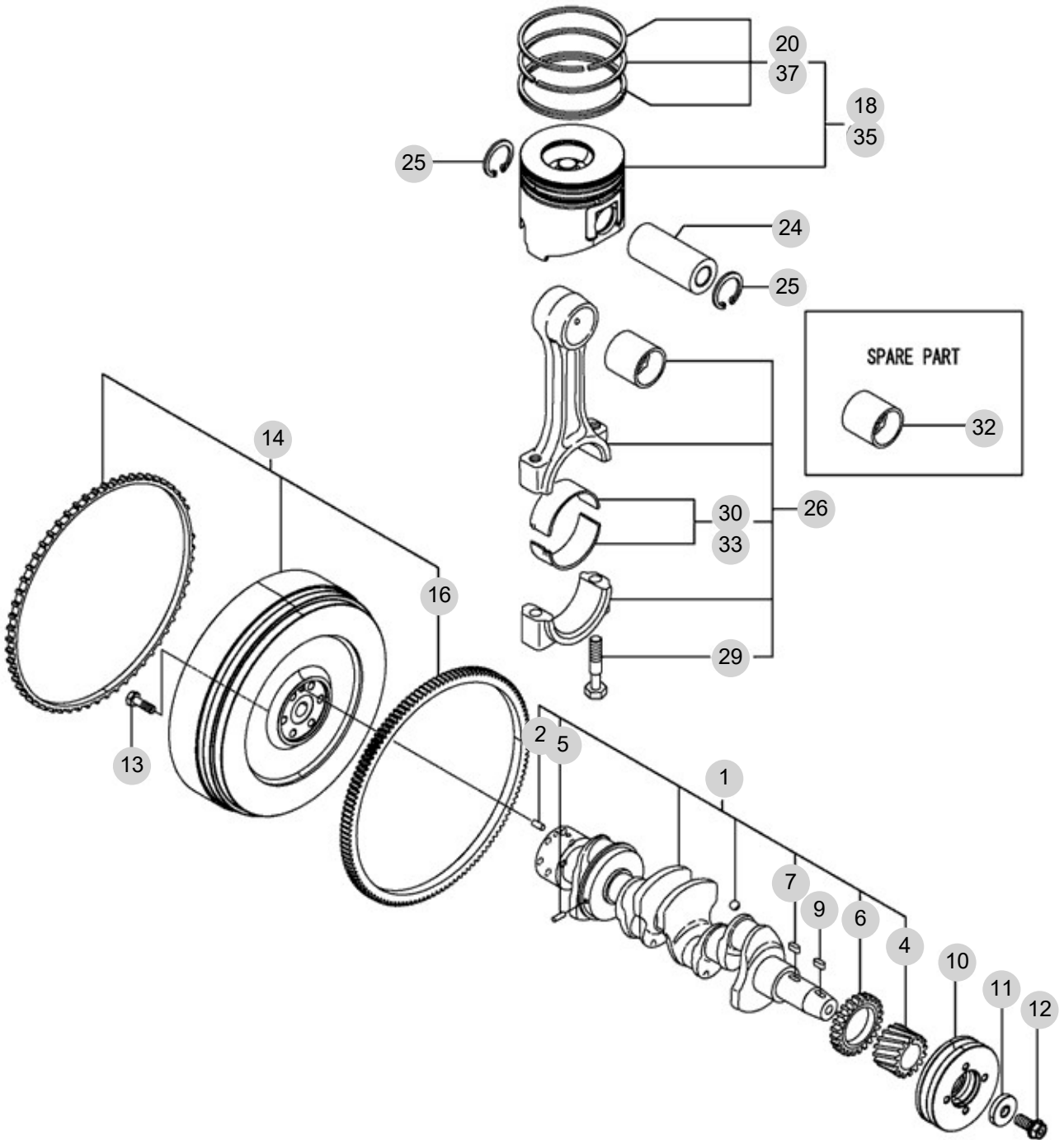
NOTE

FIG 110A

CRANKSHAFT & PISTON (T554)

년/월
Year/Month

2022-12



NOTE

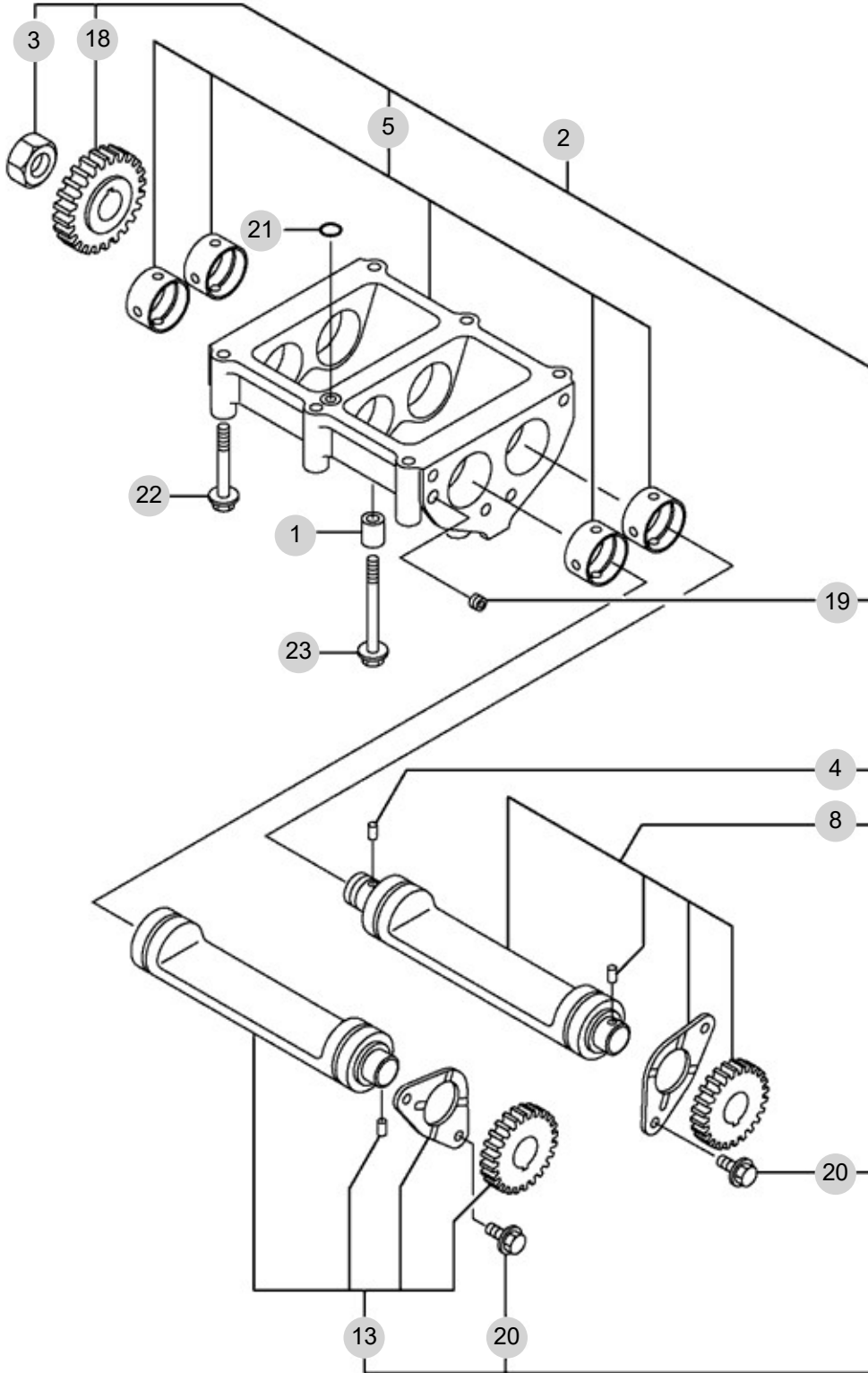
FIG 111

BALANCER

년/월
Year/Month

2022-12

T555STGBC



NOTE

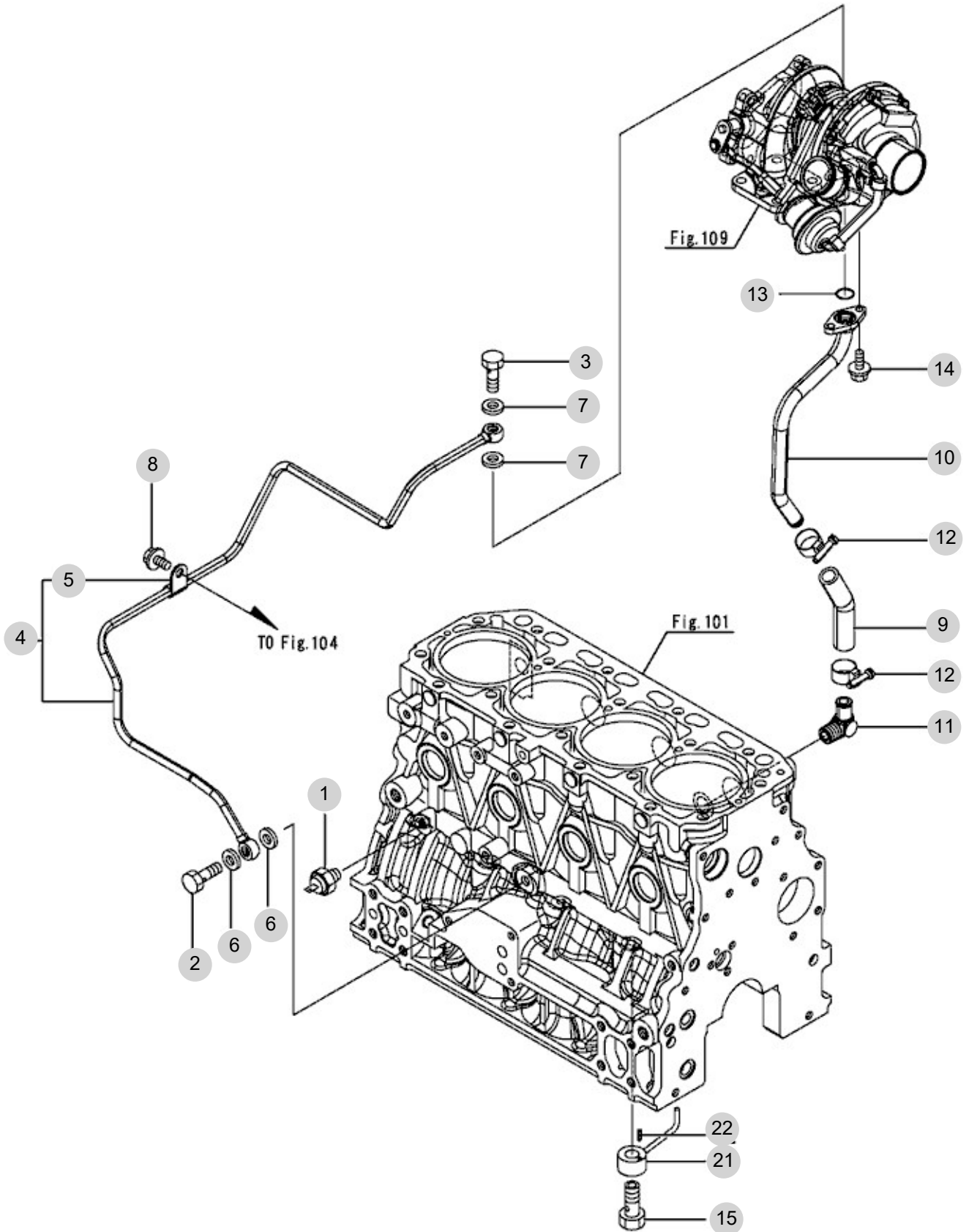
FIG 113

T555STGBC

LUB. OIL LINE (T554)

년/월
Year/Month

2022-12



NOTE

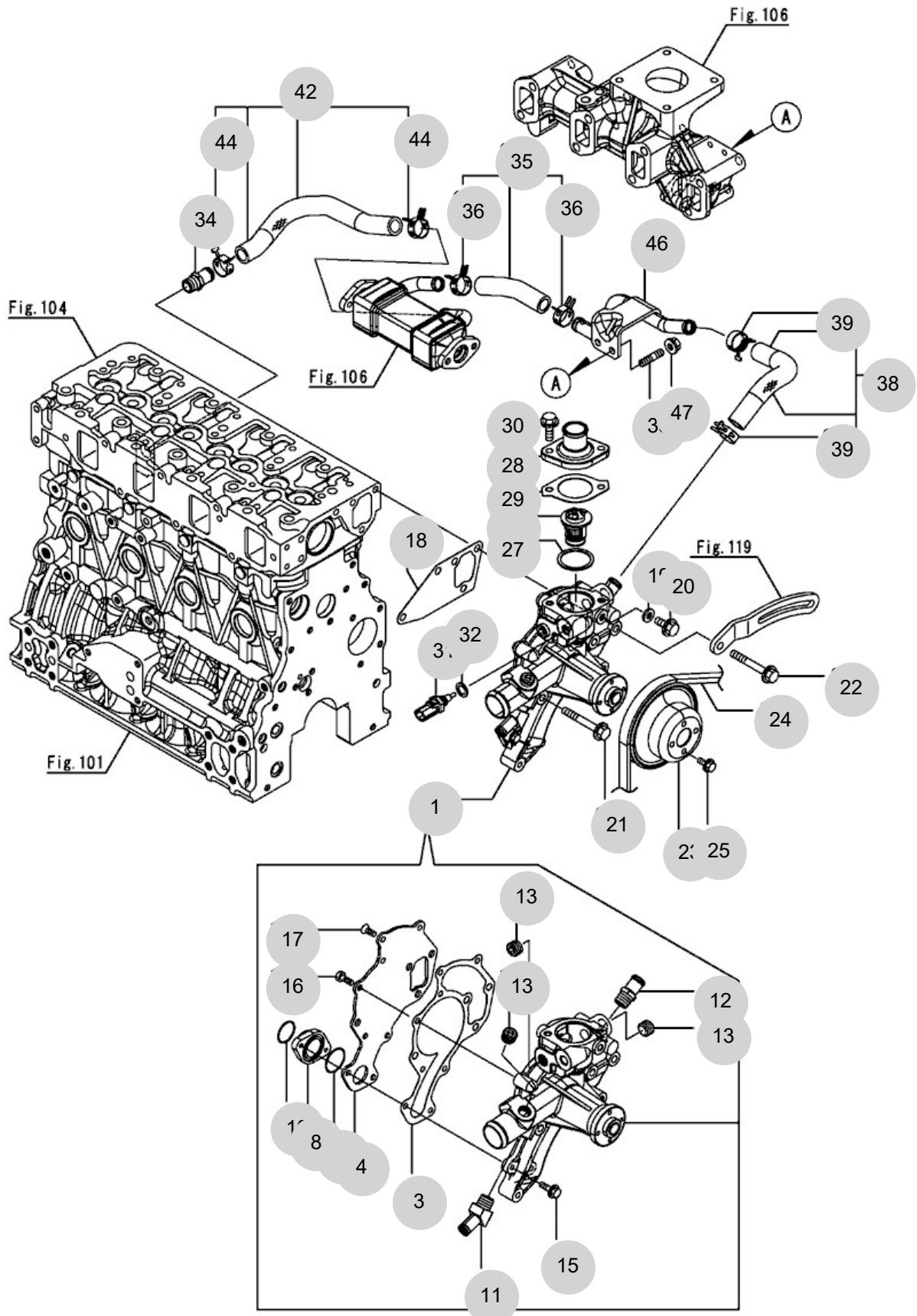
FIG 114

COOLING WATER SYSTEM

년/월
Year/Month

2022-12

T555STGBC



NOTE

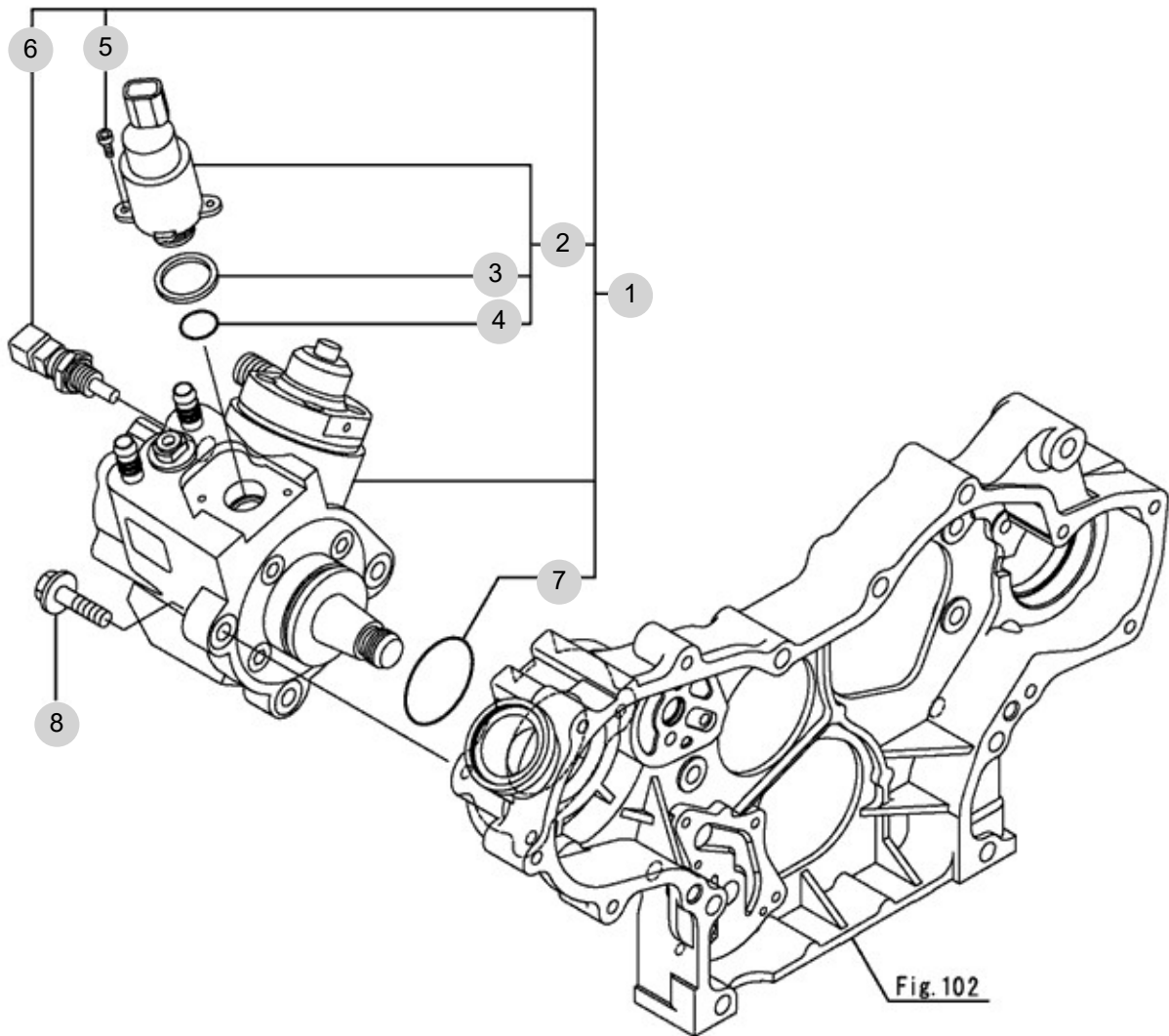
FIG 115

T555STGBC

FUEL SUPPLY PUMP

년/월
Year/Month

2022-12



NOTE

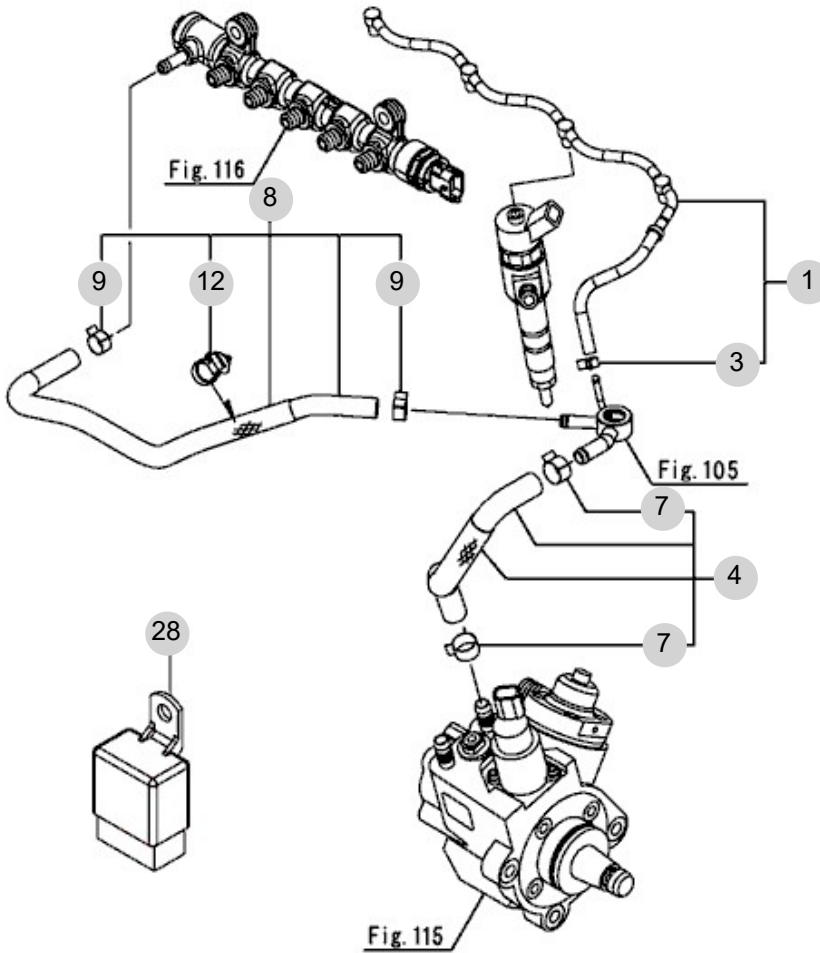
FIG 117

T555STGBC

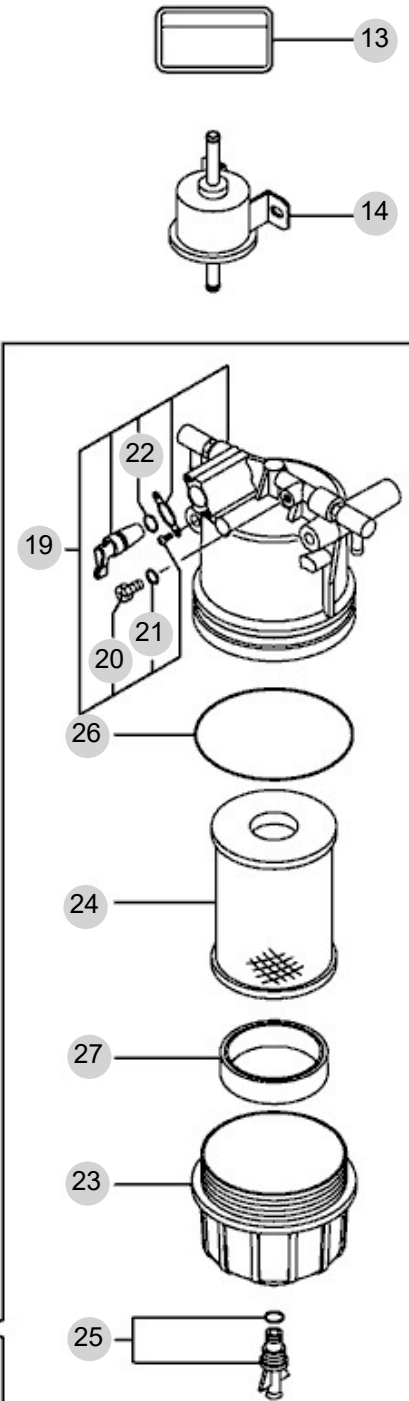
FUEL LINE

년/월
Year/Month

2022-12



LOOSE PARTS



NOTE

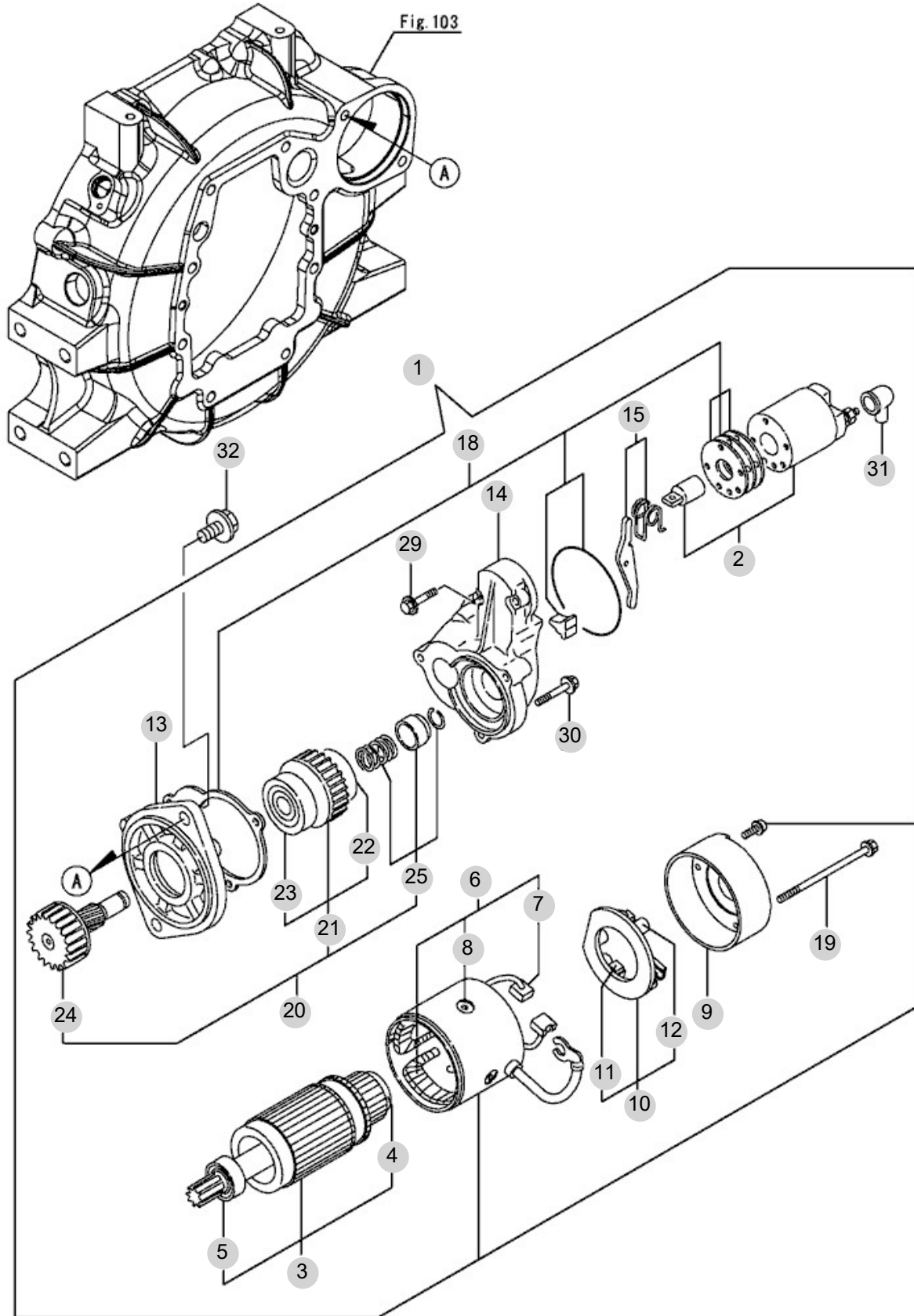
FIG 118

STARTING MOTOR

년/월
Year/Month

2022-12

T555STGBC



NOTE

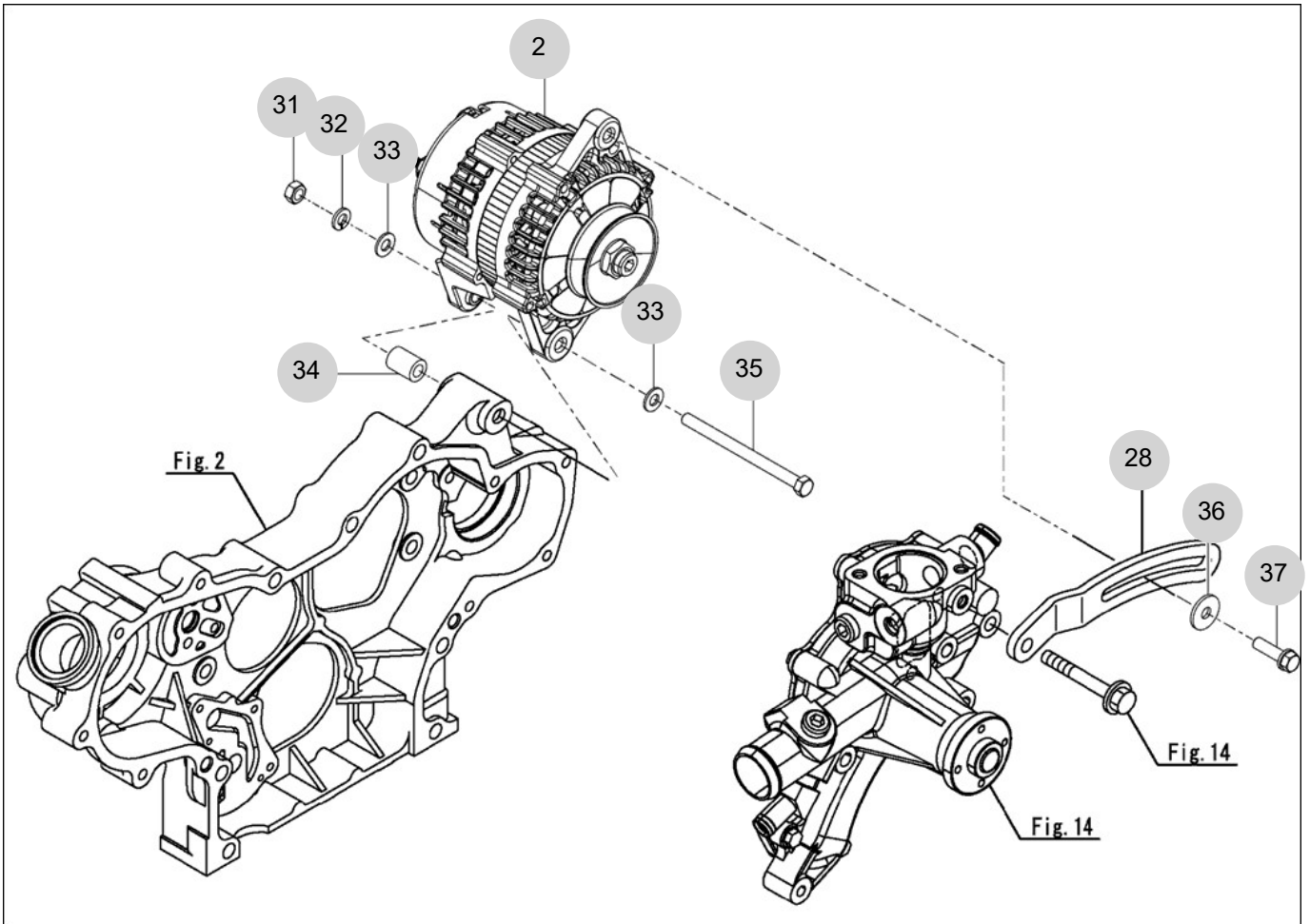
FIG 119

GENERATOR

년/월
Year/Month

2022-12

T555STGBC



NOTE

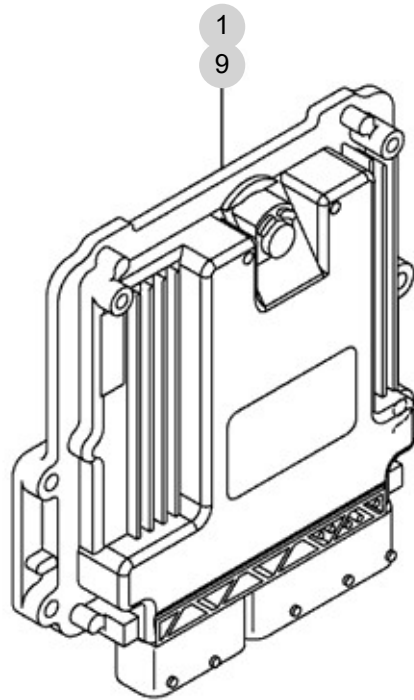
FIG 120A

T555STGBC

ELECTRONIC CONTROL UNIT (T554)

년/월
Year/Month

2022-12



NOTE

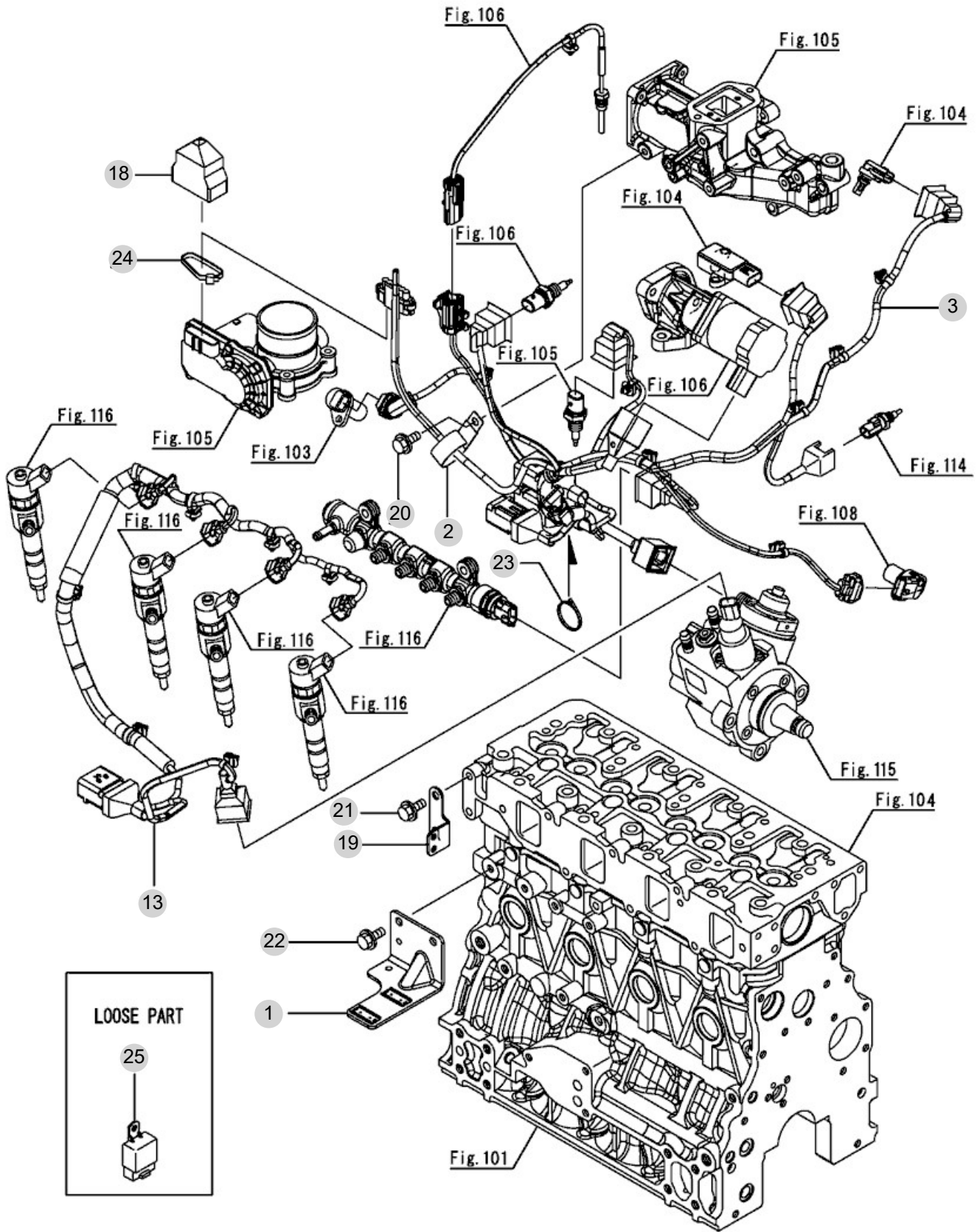
FIG 121A

ELECTRIC PARTS (T554)

년/월
Year/Month

2022-12

T555STGBC



NOTE

FIG 122A

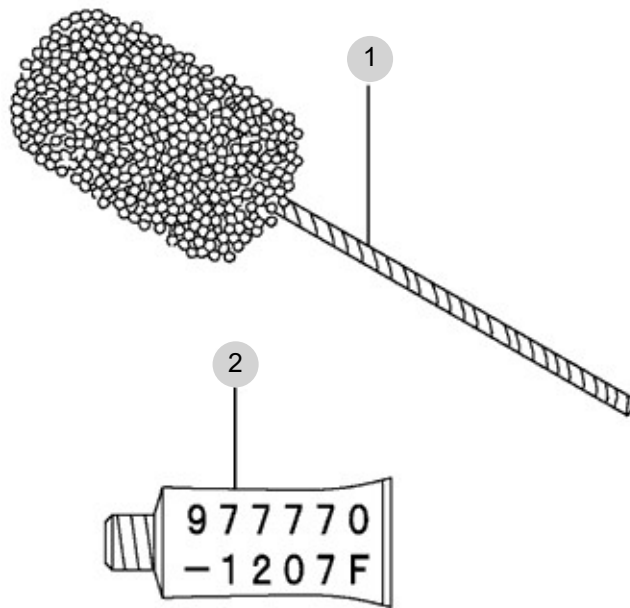
T555STGBC

ACCESSORY (T554)

년/월
Year/Month

2022-12

OPTIONAL PARTS



NOTE

2. 엔진보기품 PART NO. T2

FIG 201 AIR CLEANER	55
FIG 202 RADIATOR	57
FIG 203 MUFFLER	59
FIG 204 FUEL HOSE & FILTER	61
FIG 205 FUEL TANK	63
FIG 206 ACCELERATOR	65
FIG 208 FAN , COOLING	67

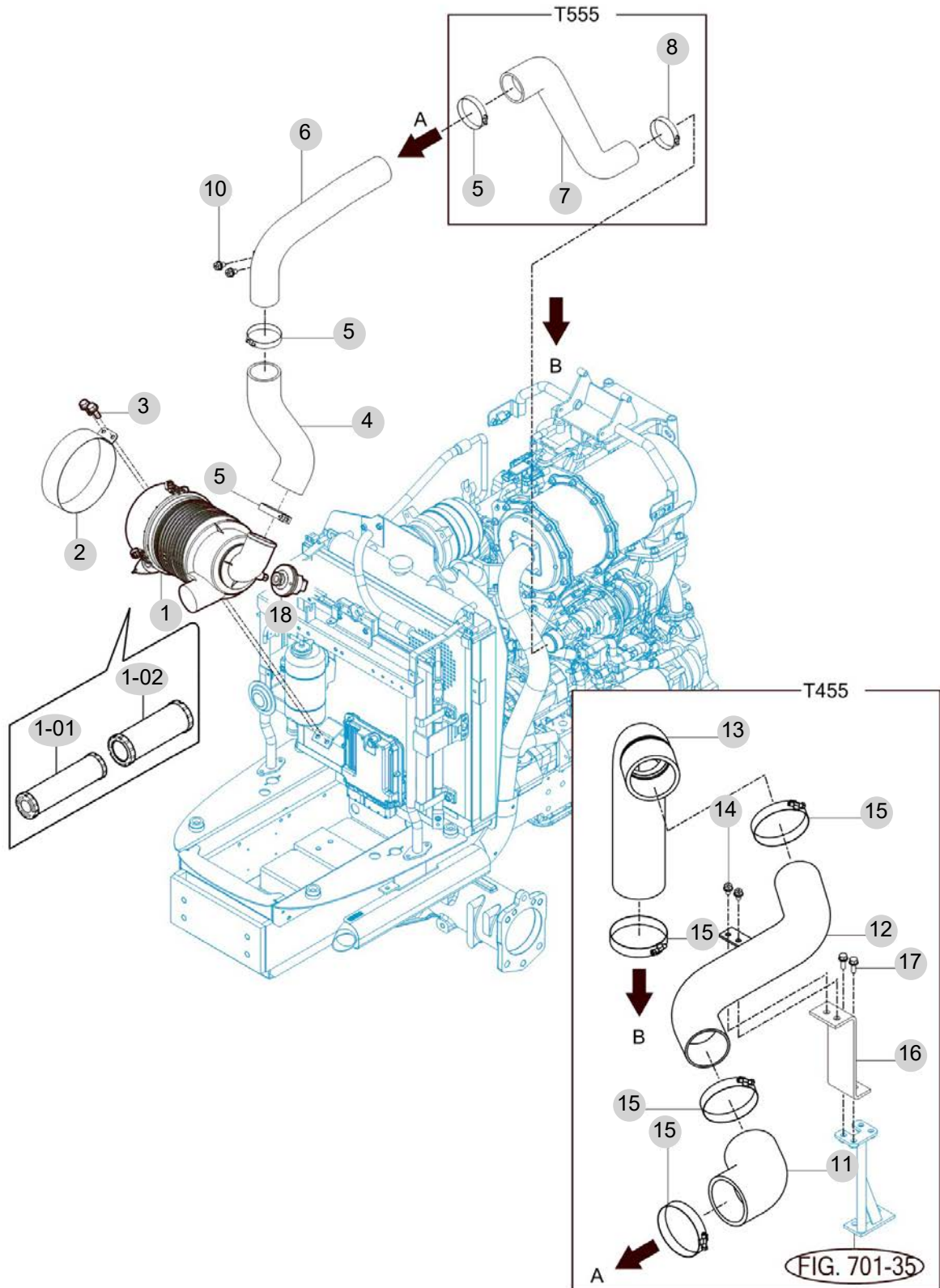
FIG 201

AIR CLEANER

년/월
Year/Month

2022-12

T555STGBC



NOTE

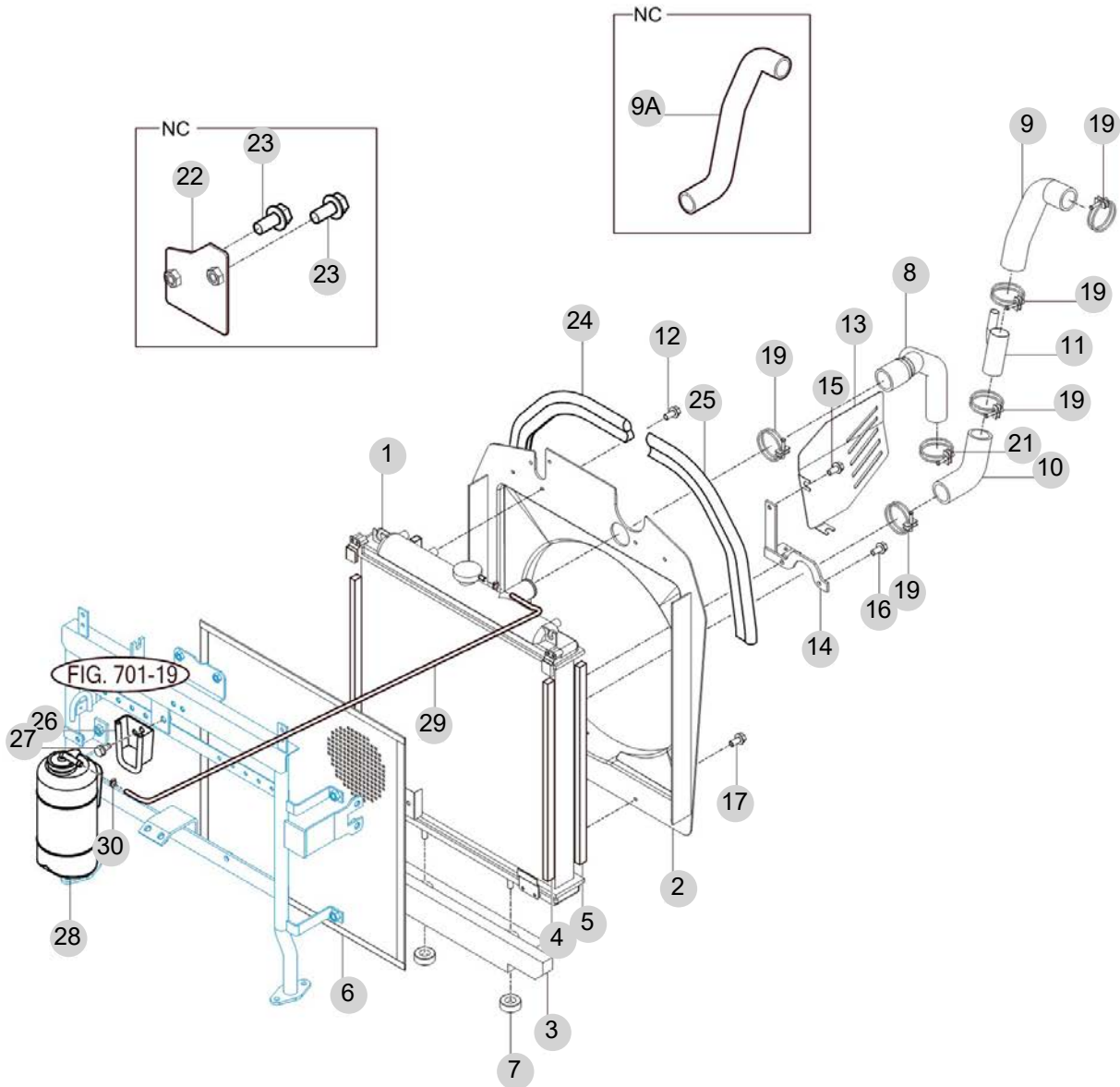
FIG 202

T555STGBC

RADIATOR

년/월
Year/Month

2022-12



NOTE

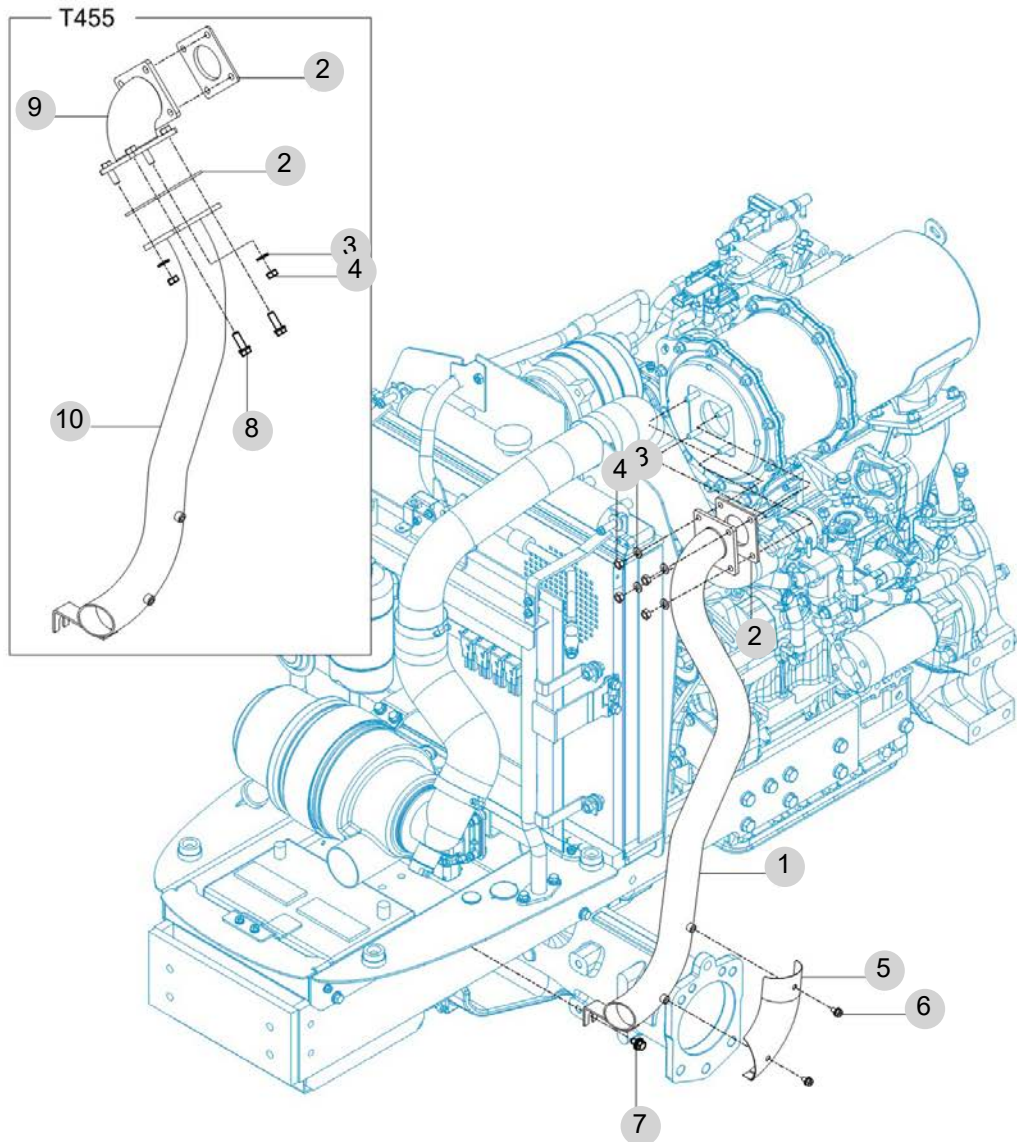
FIG 203

MUFFLER

년/월
Year/Month

2022-12

T555STGBC



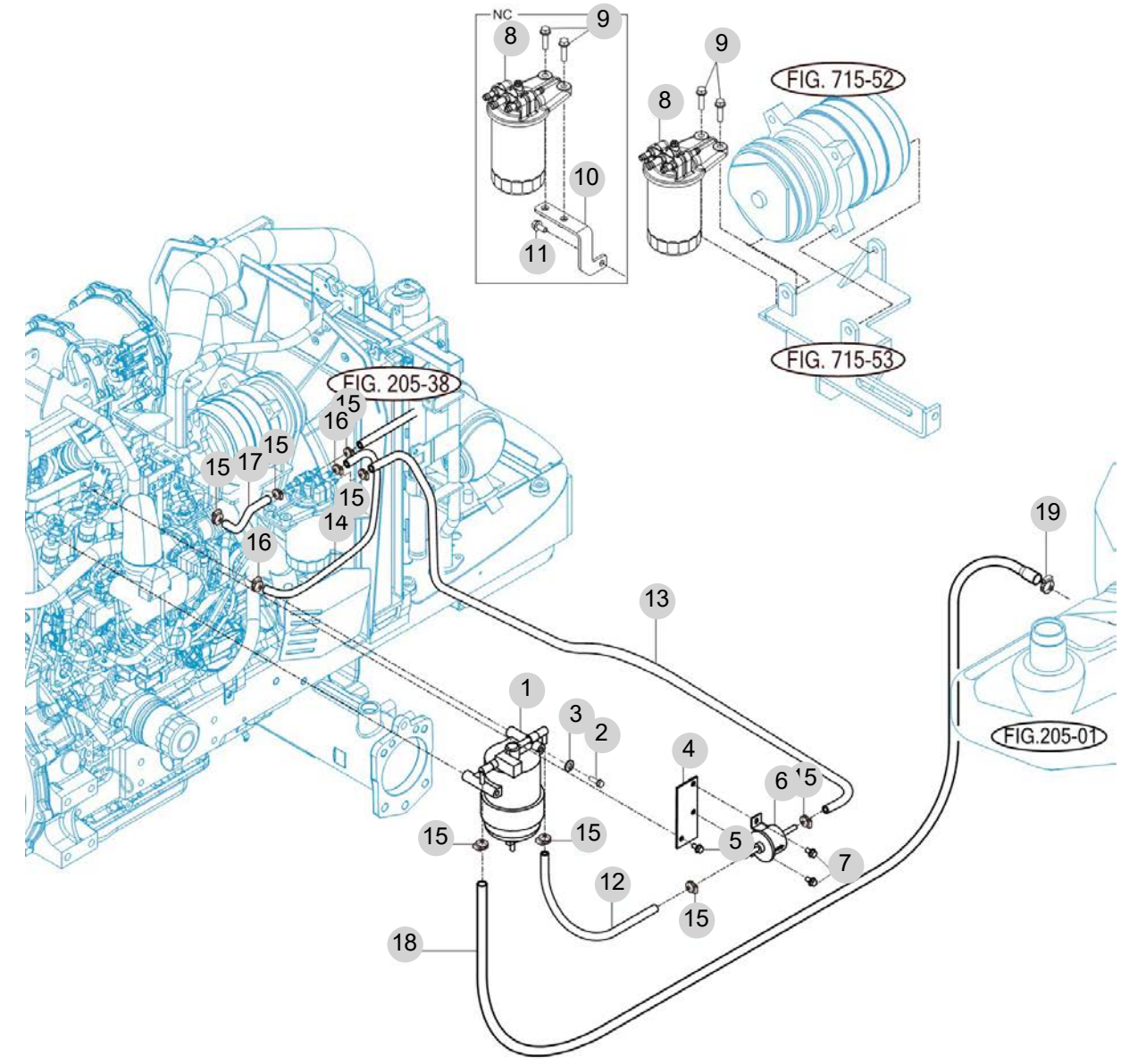
NOTE

FIG 204

FUEL HOSE & FILTER

년/월
Year/Month

2022-12



NOTE

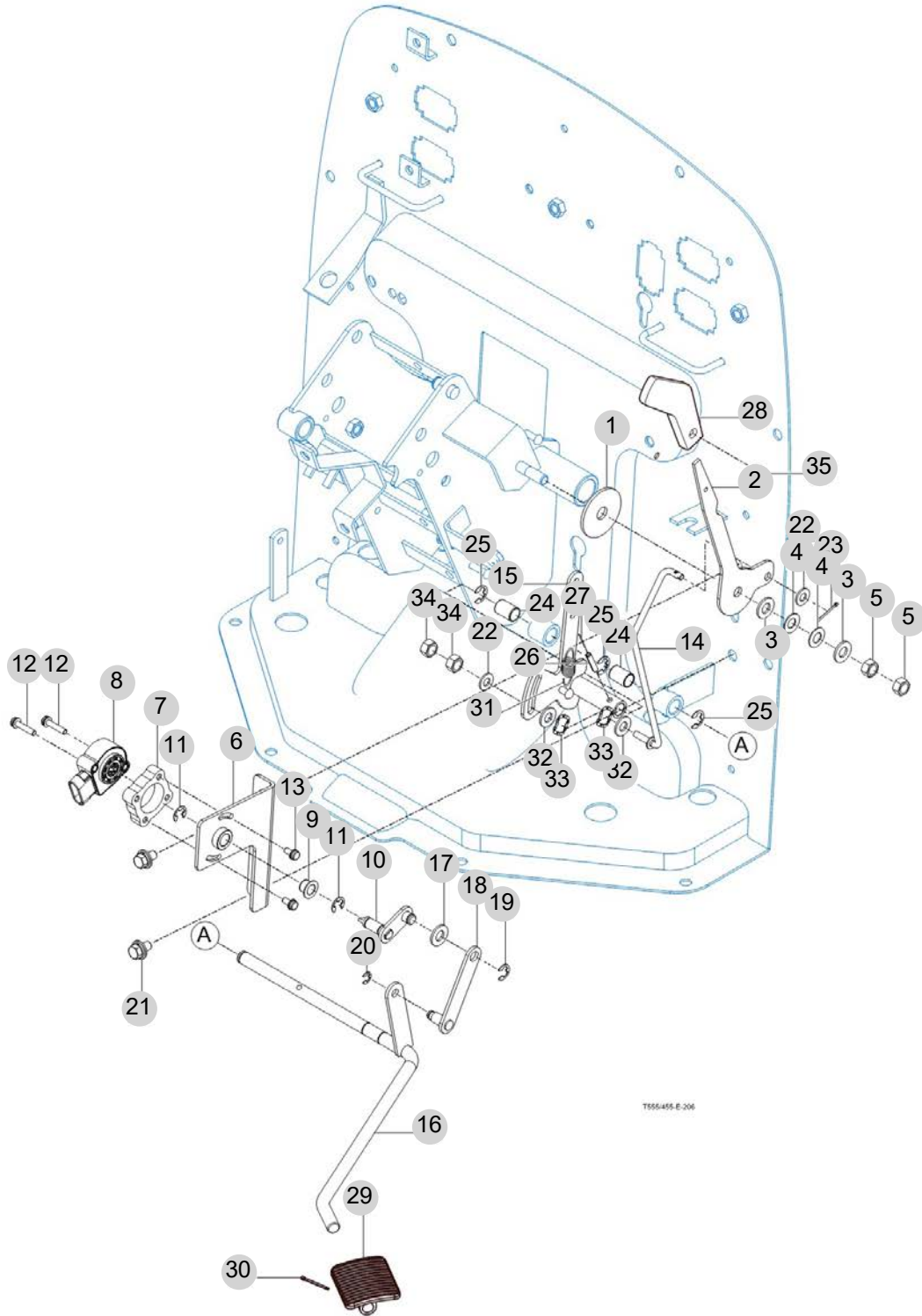
FIG 206

ACCELERATOR

년/월
Year/Month

2022-12

T555STGBC



T555455-E-206

NOTE

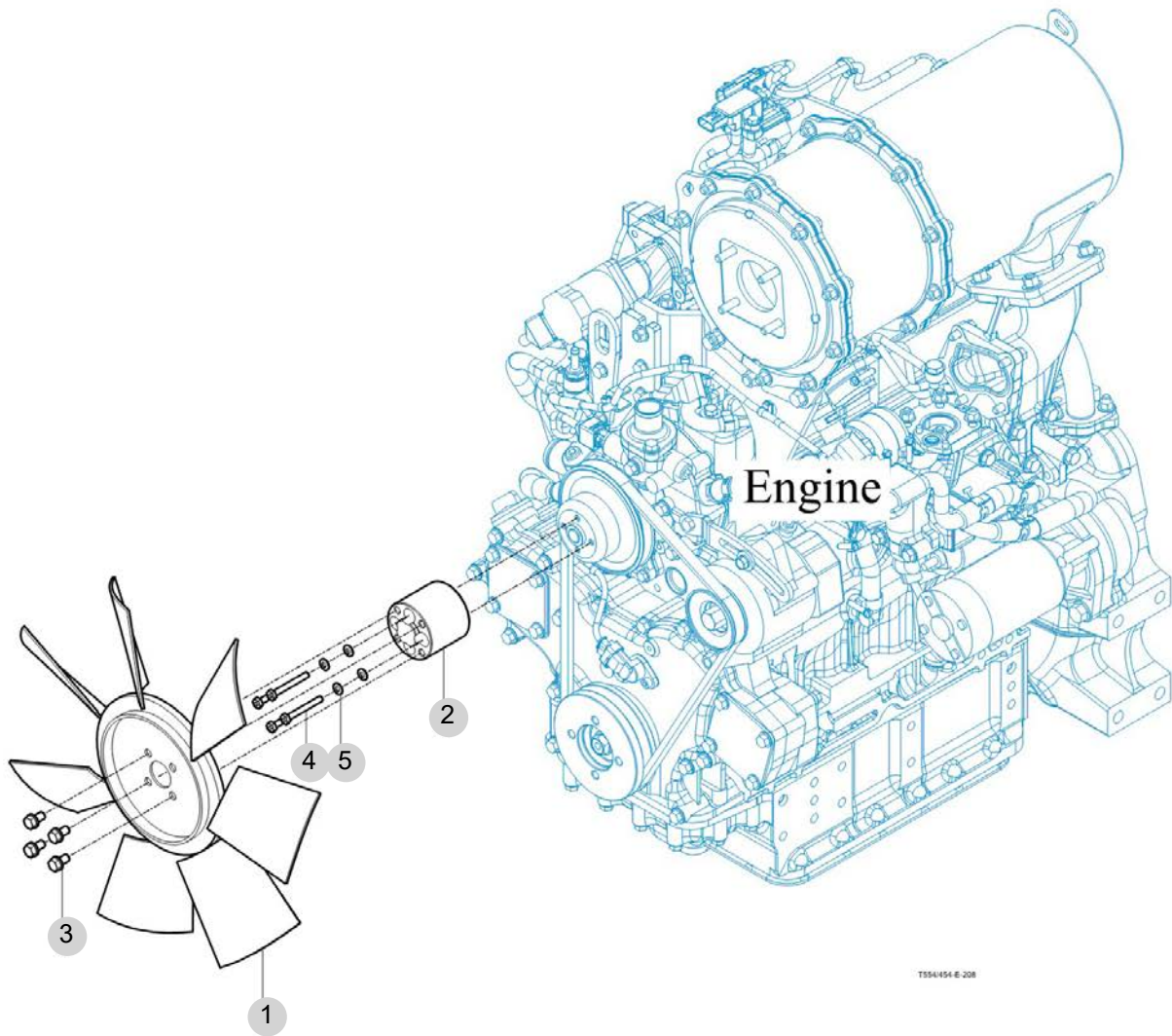
FIG 208

FAN , COOLING

년/월
Year/Month

2022-12

T555STGBC



NOTE

3. 클러치/브레이크/스티어링 PART NO. T3

FIG 301 CLUTCH	70
FIG 302 CLUTCH PEDAL	72
FIG 303 BRAKE	74
FIG 304 BRAKE PEDAL & LINKAGE	76
FIG 305A FRONT WHEEL	78
FIG 305B FRONT WHEEL (R4 OPTION)	80
FIG 306A REAR WHEEL	82
FIG 306B REAR WHEEL (R4 OPTION)	84
FIG 307 POWER STEERING WHEEL	86
FIG 308 POWER STEERING VALVE	88
FIG 309 POWER STEERING CYLINDER	90
FIG 310 HAND BRAKE	92

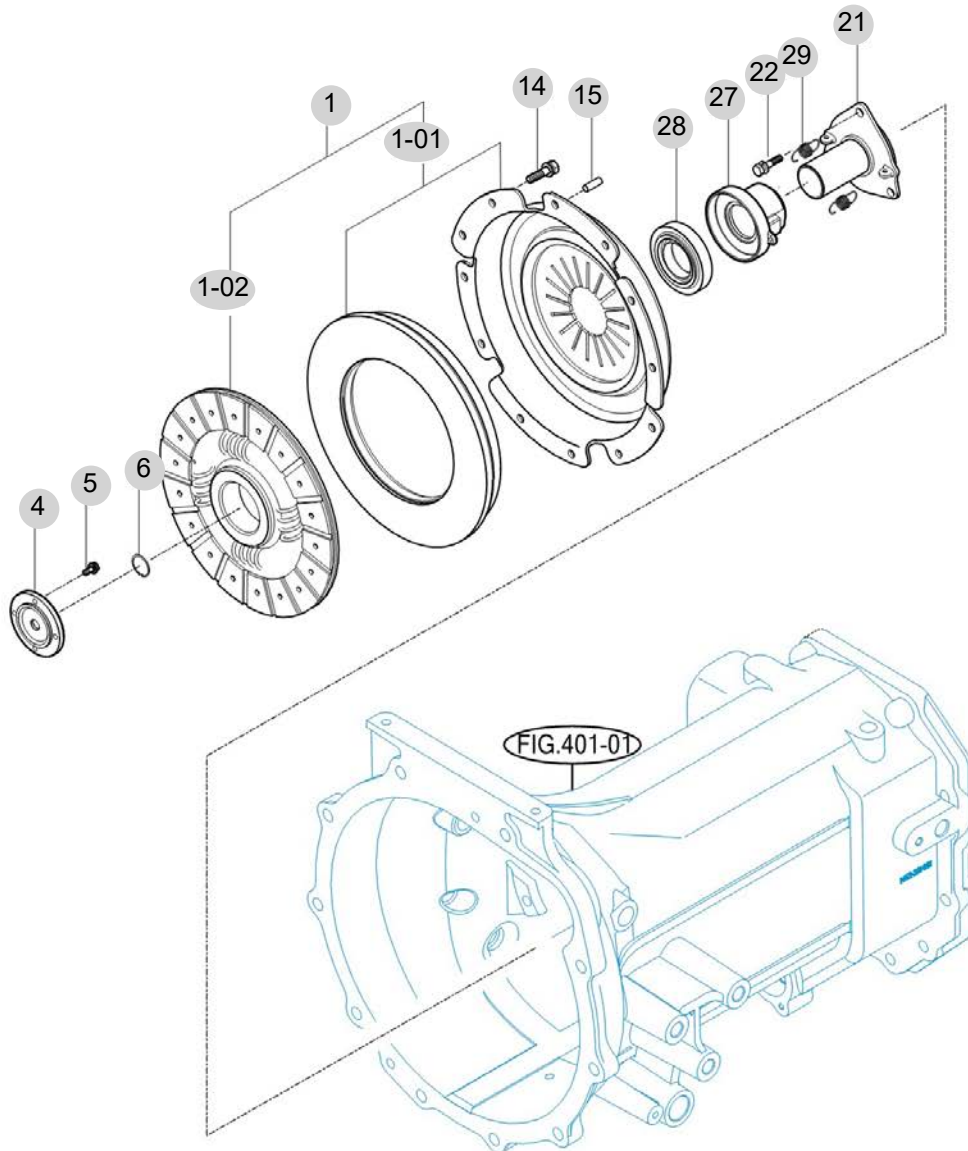
FIG 301

T555STGBC

CLUTCH

년/월
Year/Month

2022-12



T555STGBC/T555STGBC/T555STGBC-E-01

NOTE

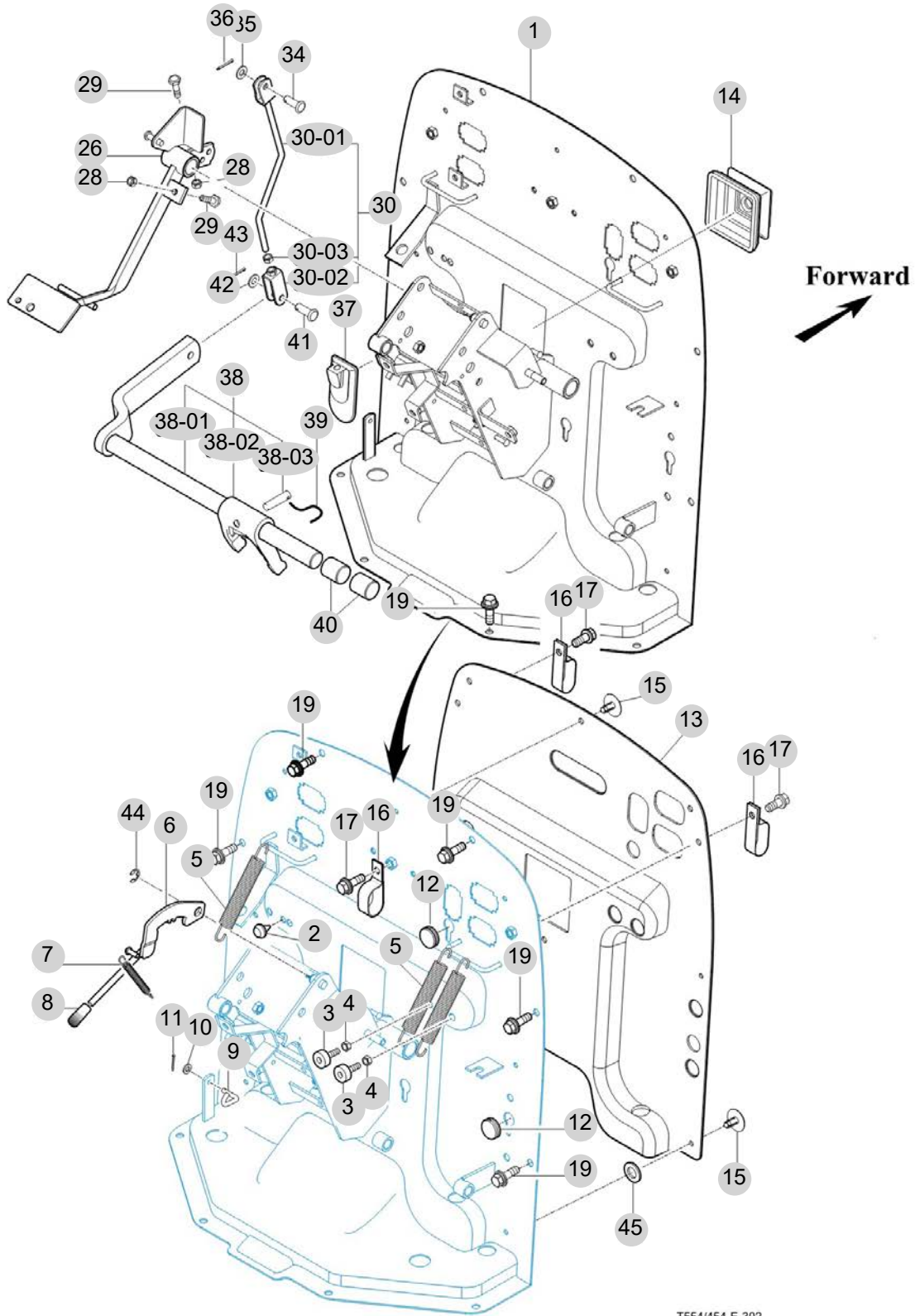
FIG 302

CLUTCH PEDAL

년/월
Year/Month

2022-12

T555STGBC



T554/454-E-302

NOTE

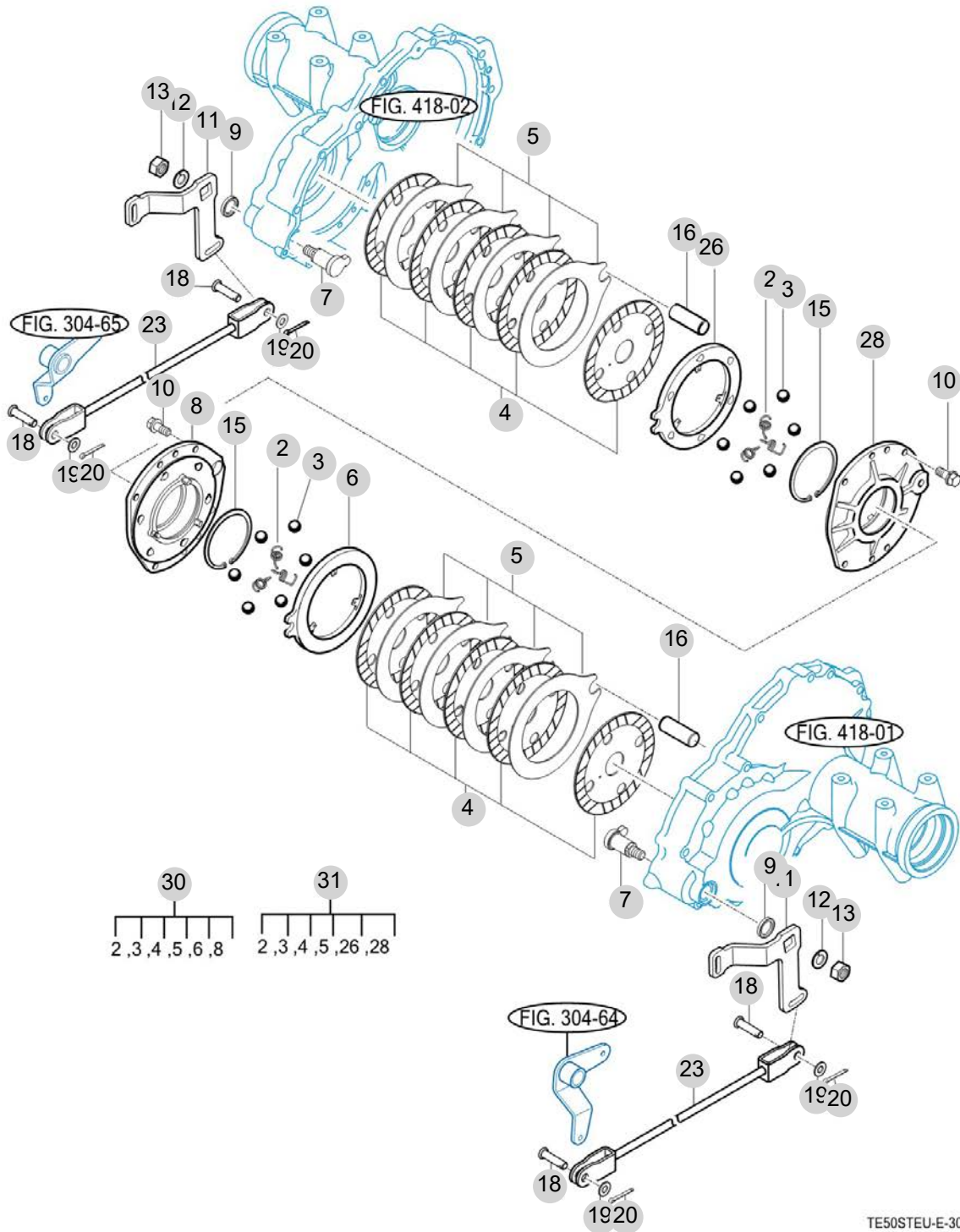
FIG 303

T555STGBC

BRAKE

년/월
Year/Month

2022-12



NOTE

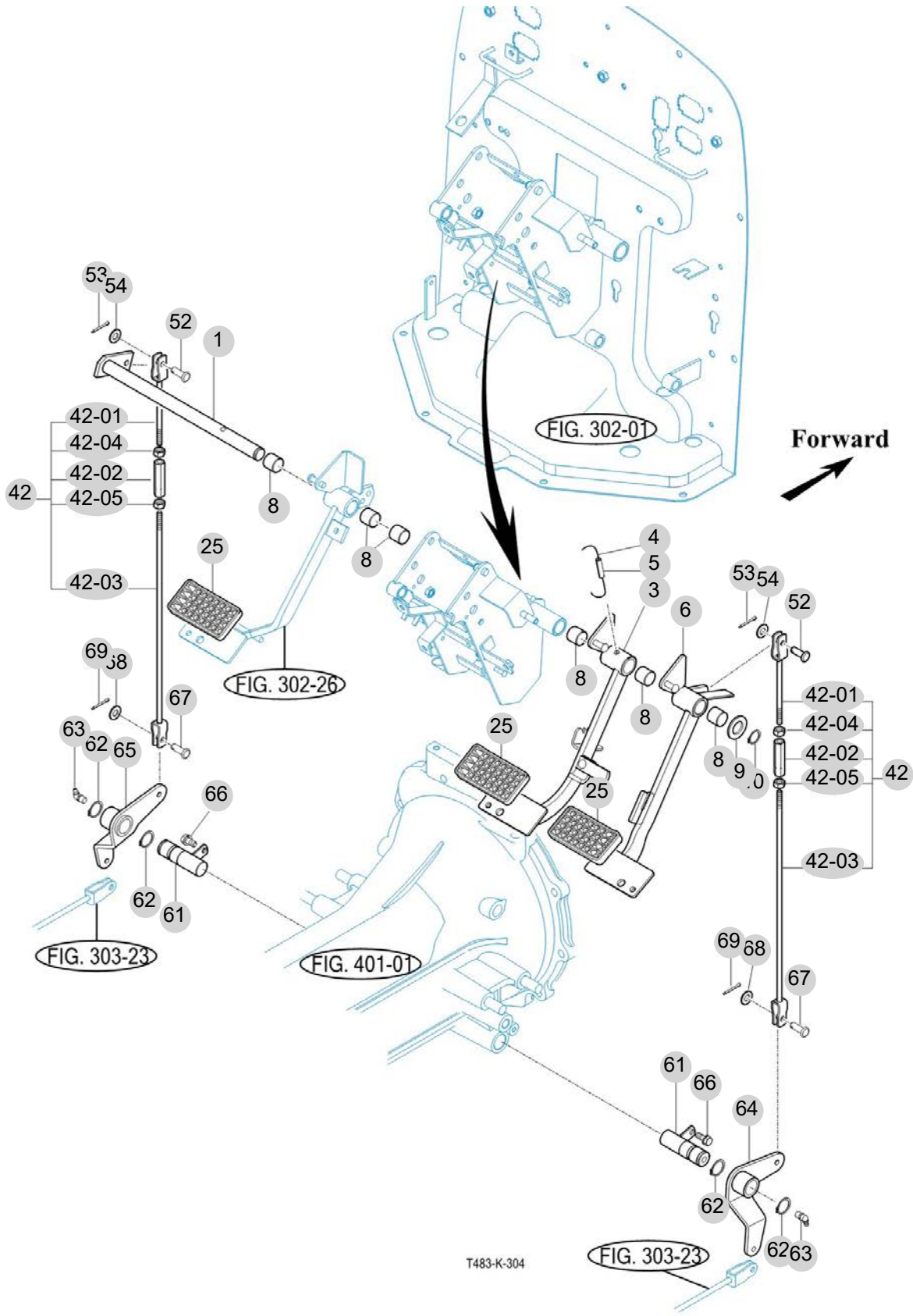
FIG 304

BRAKE PEDAL & LINKAGE

년/월
Year/Month

2022-12

T555STGBC



NOTE

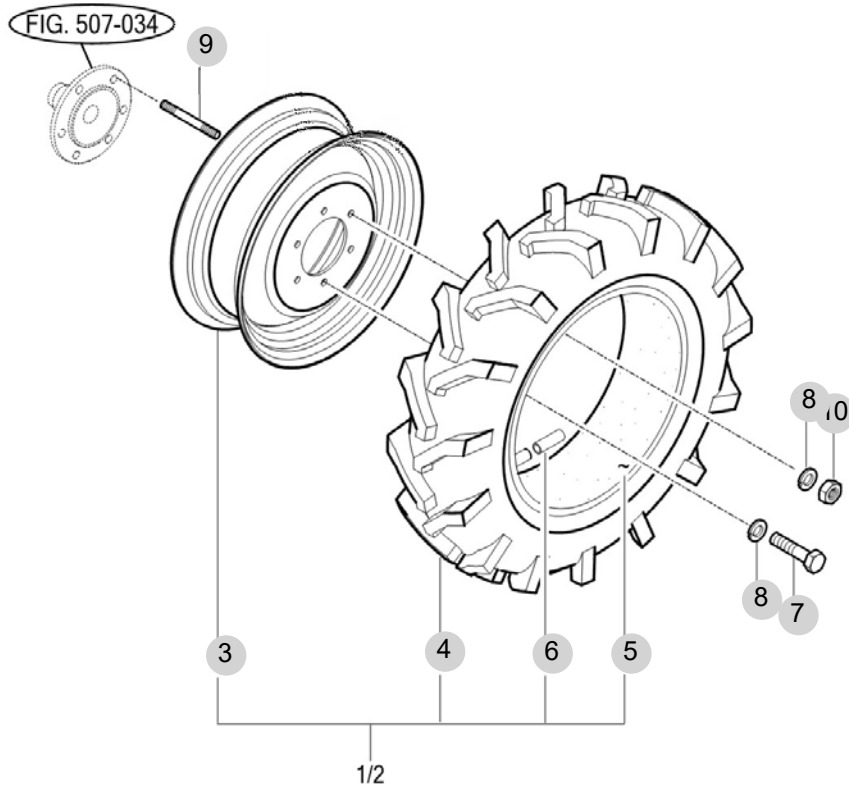
FIG 305A

T555STGBC

FRONT WHEEL

년/월
Year/Month

2022-12



T503HST-E-305A

NOTE

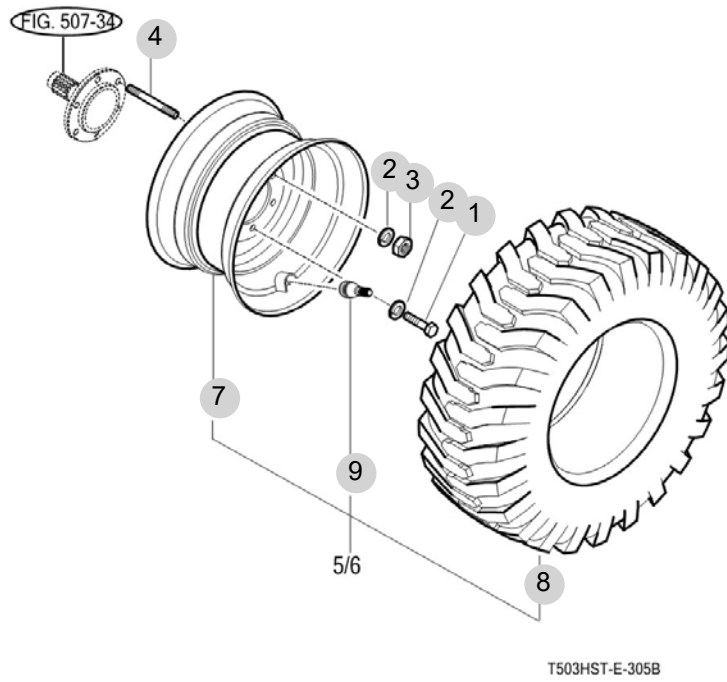
FIG 305B

T555STGBC

FRONT WHEEL (R4 OPTION)

년/월
Year/Month

2022-12



NOTE

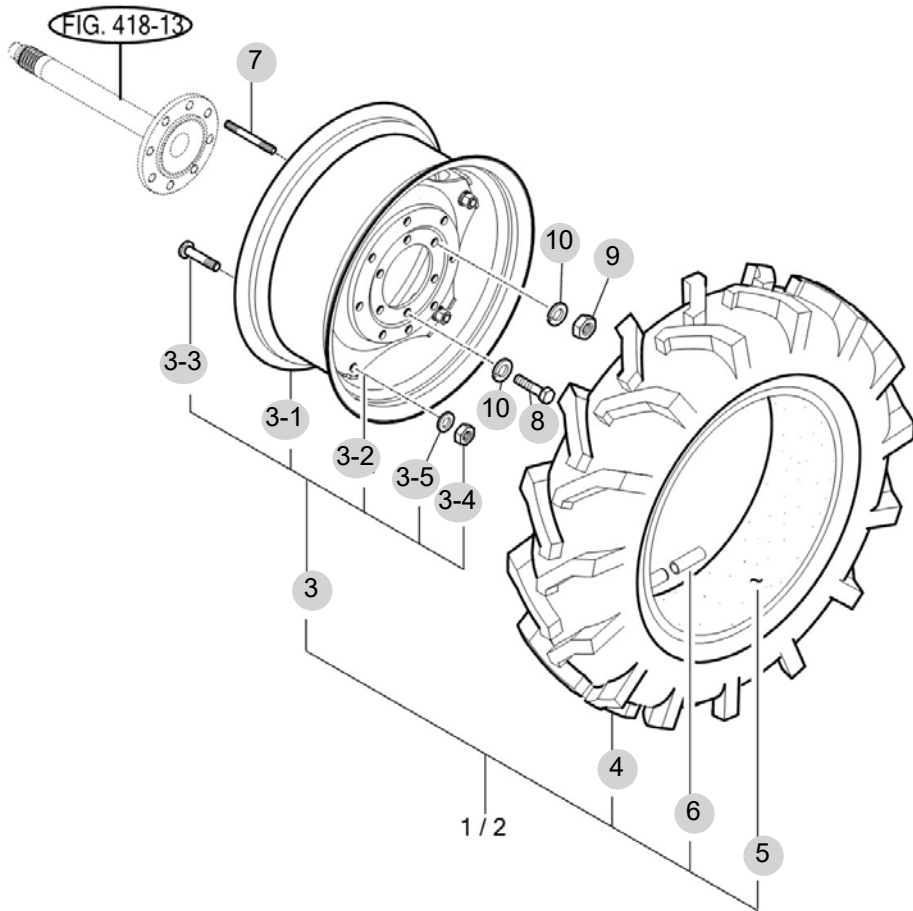
FIG 306A

T555STGBC

REAR WHEEL

년/월
Year/Month

2022-12



NOTE

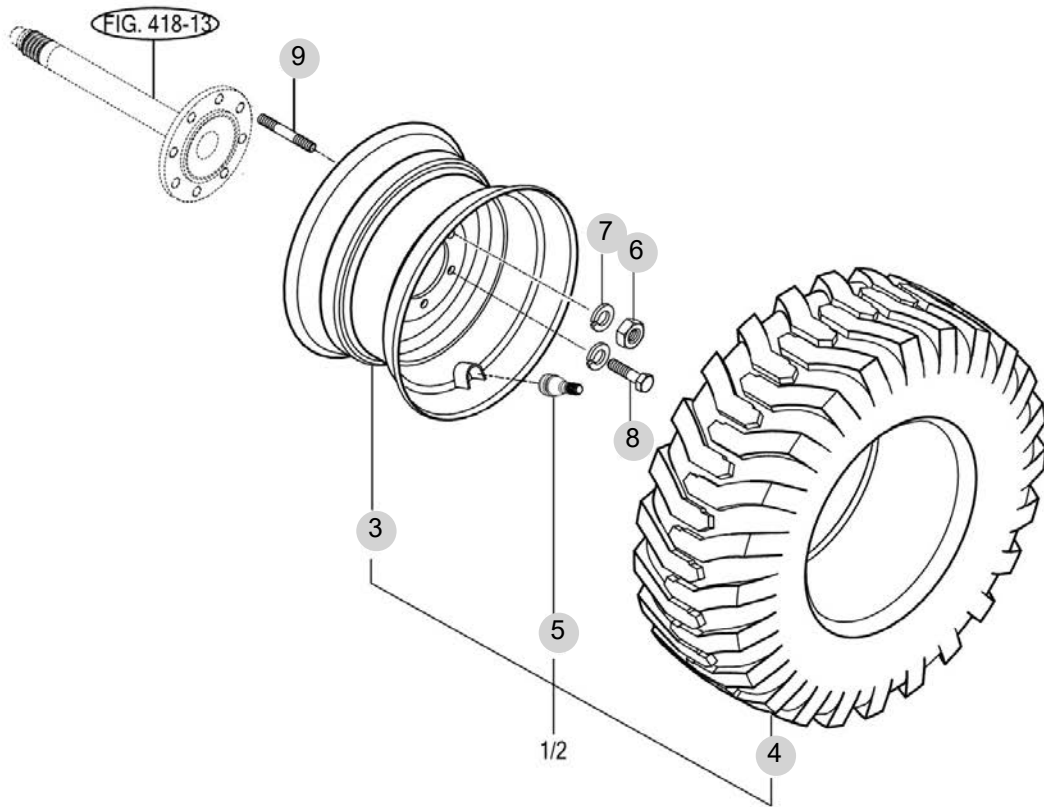
FIG 306B

T555STGBC

REAR WHEEL (R4 OPTION)

년/월
Year/Month

2022-12



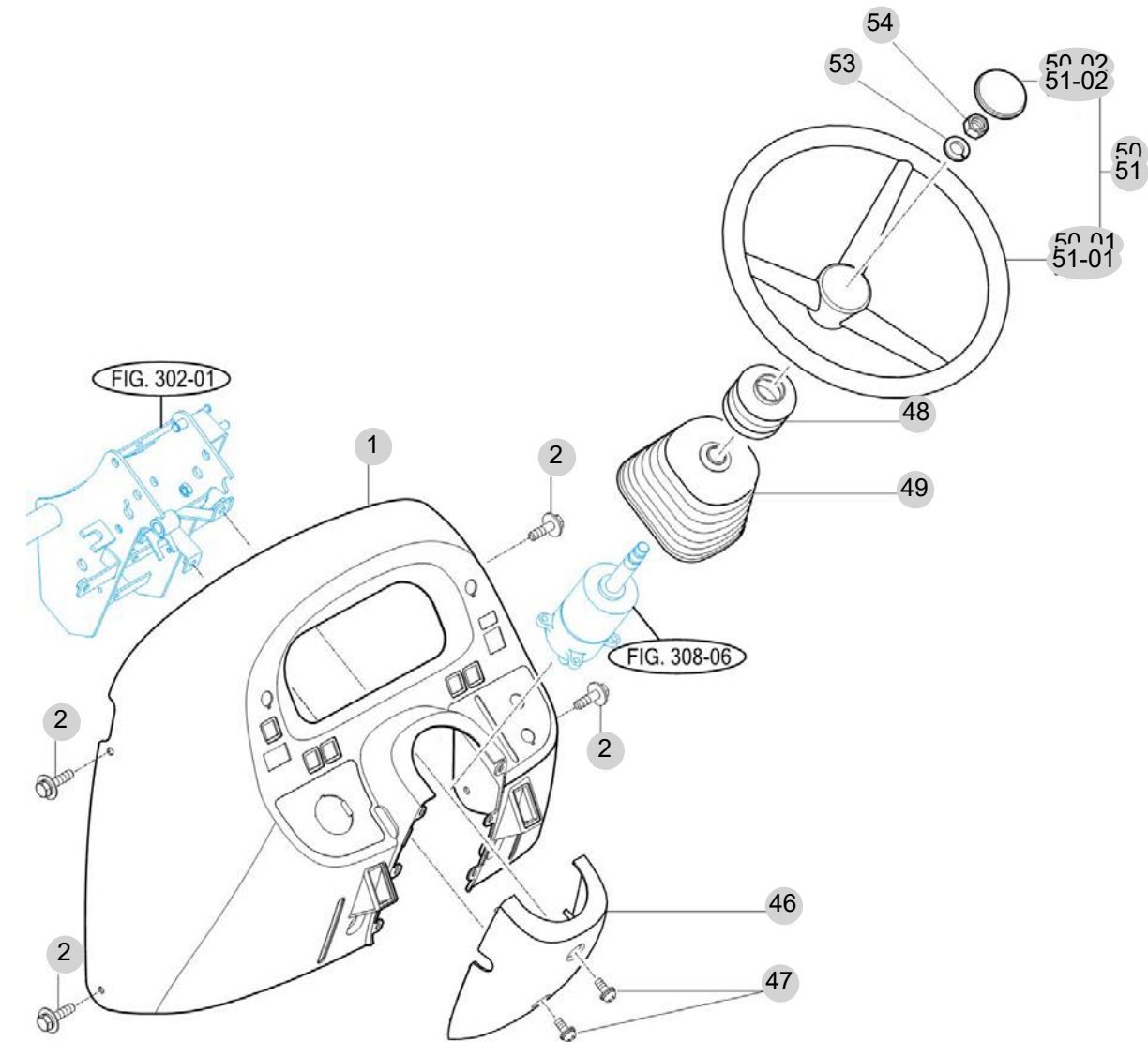
NOTE

FIG 307

POWER STEERING WHEEL

년/월
Year/Month

2022-12



T555ST-K-307

NOTE

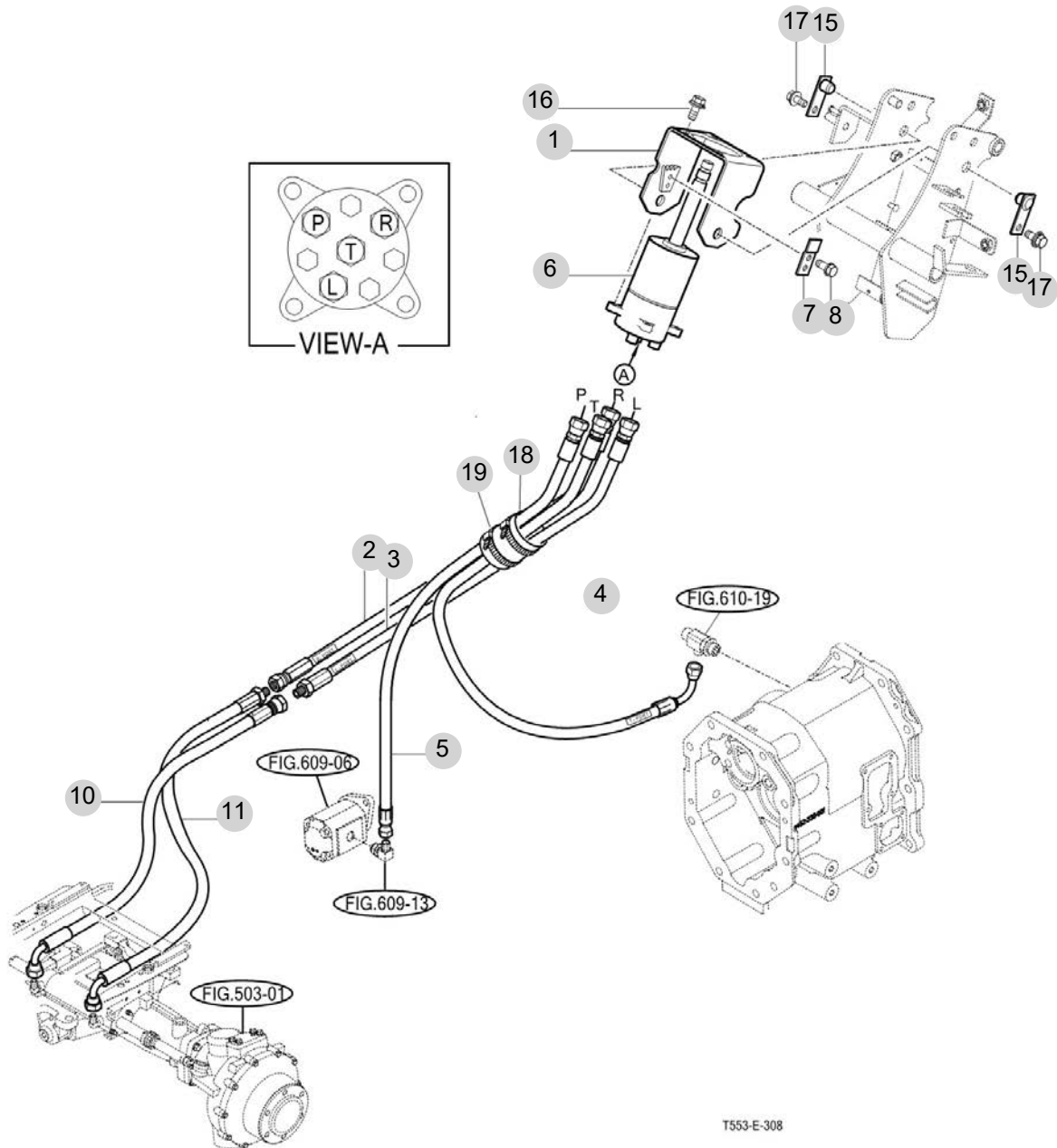
FIG 308

POWER STEERING VALVE

년/월
Year/Month

2022-12

T555STGBC



T553-E-308

NOTE

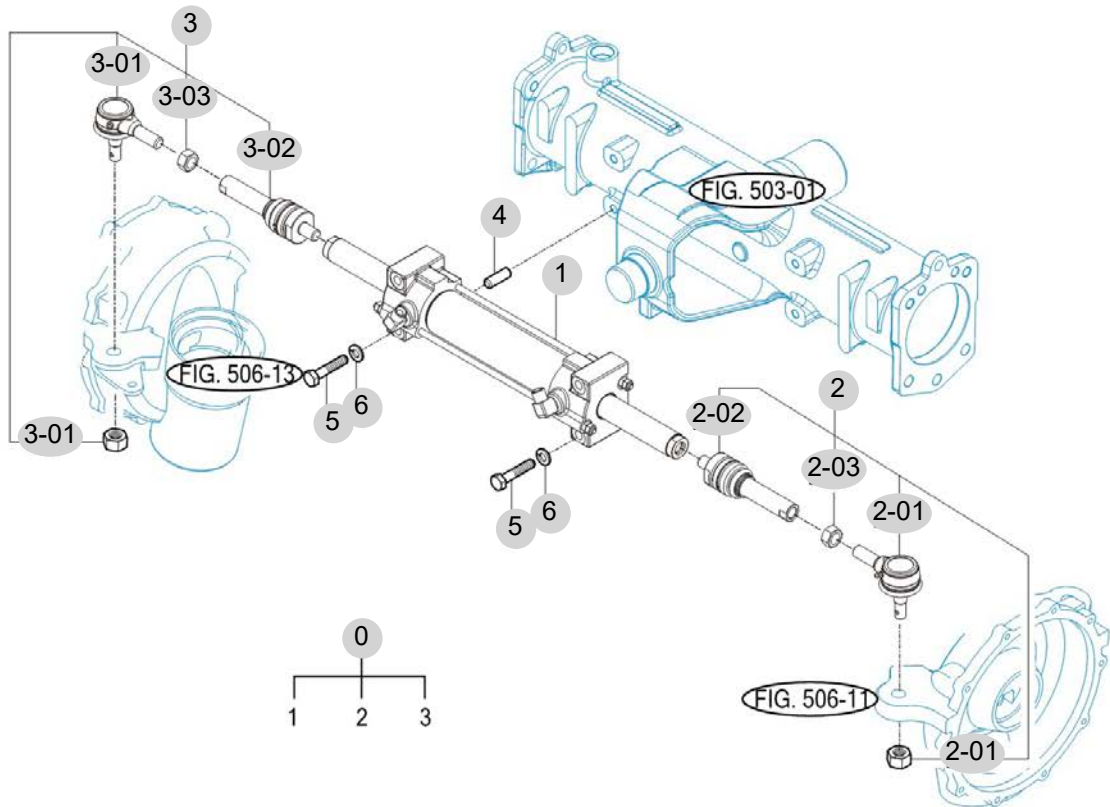
FIG 309

POWER STEERING CYLINDER

년/월
Year/Month

2022-12

T555STGBC



T555STGBC

NOTE

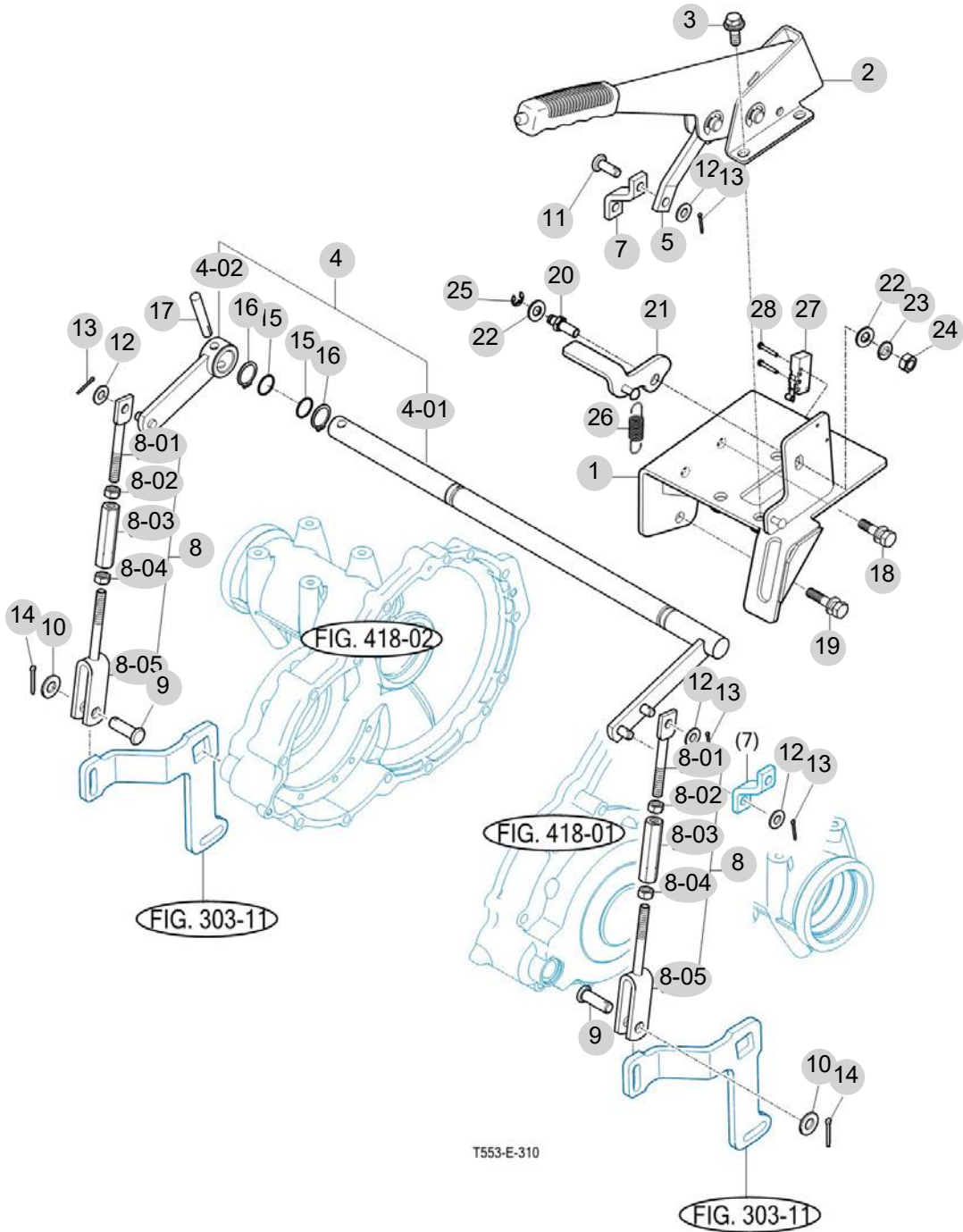
FIG 310

HAND BRAKE

년/월
Year/Month

2022-12

T555STGBC



NOTE

4. 트랜스미션 PART NO. T4

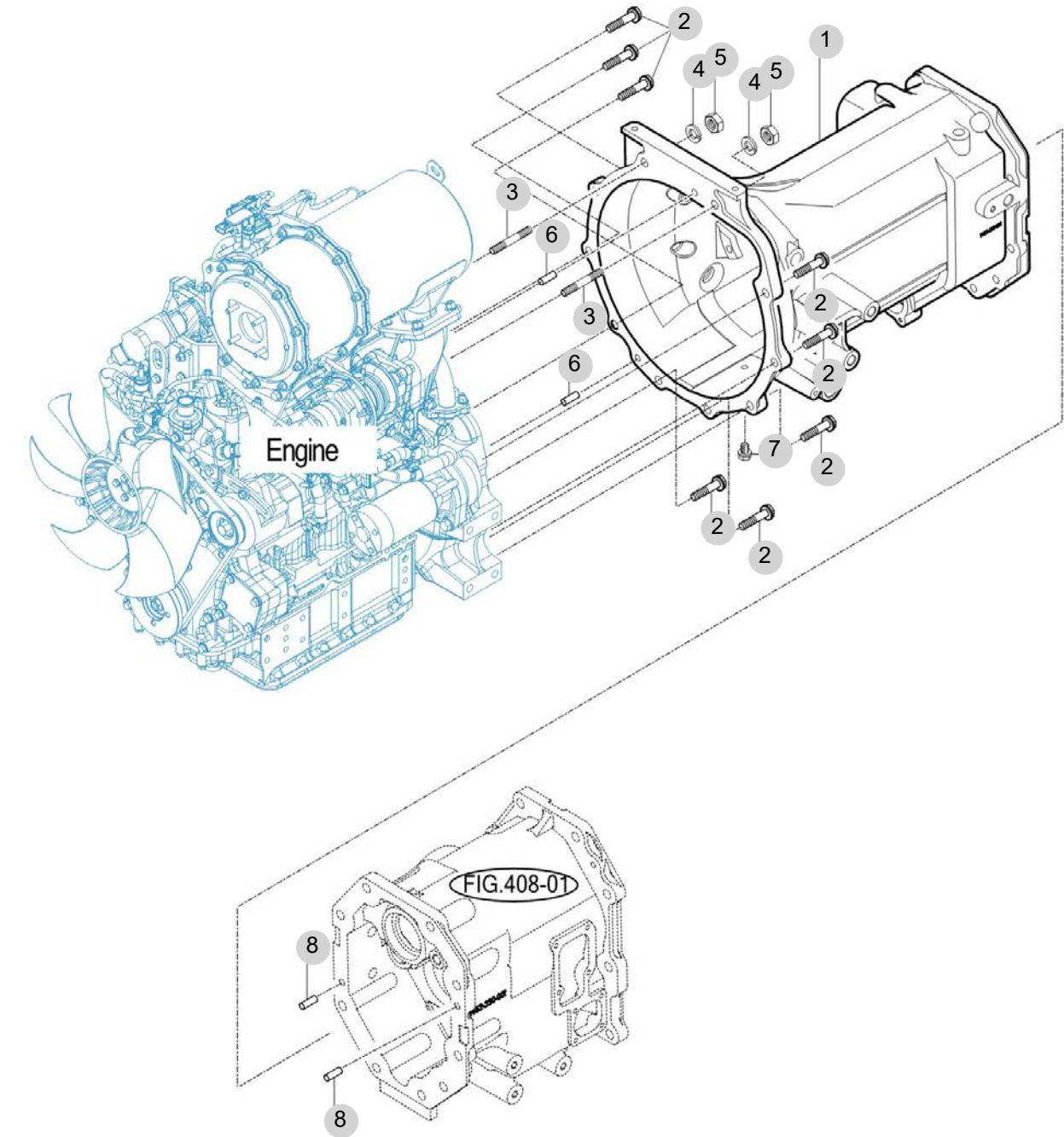
FIG 401 TRANSMISSION FRONT CASE	95
FIG 402 FORWARD & BACKWARD GEARS	97
FIG 403 IDLE & COUNTER GEARS	99
FIG 404 MAIN SHIFT GEARS	101
FIG 405 P.T.O DRIVE SHAFT	103
FIG 406 MAIN CHANGE LEVER	105
FIG 407 REVERSE CHANGE LEVER	107
FIG 408 TRANSMISSION MID CASE	109
FIG 409 TRANSMISSION REAR CASE	111
FIG 410 SUB CHANGE GEARS	113
FIG 411 SUB CHANGE SHIFTER	115
FIG 413 DRIVE GEARS	117
FIG 414 4WD CHANGE LEVER	119
FIG 415 P.T.O CHANGE GEARS	121
FIG 416 P.T.O CHANGE SHIFTER	123
FIG 417 REAR DIFFERENTIAL GEARS	125
FIG 418 REAR AXLE HOUSING	128

FIG 401

TRANSMISSION FRONT CASE

년/월
Year/Month

2022-12



NOTE

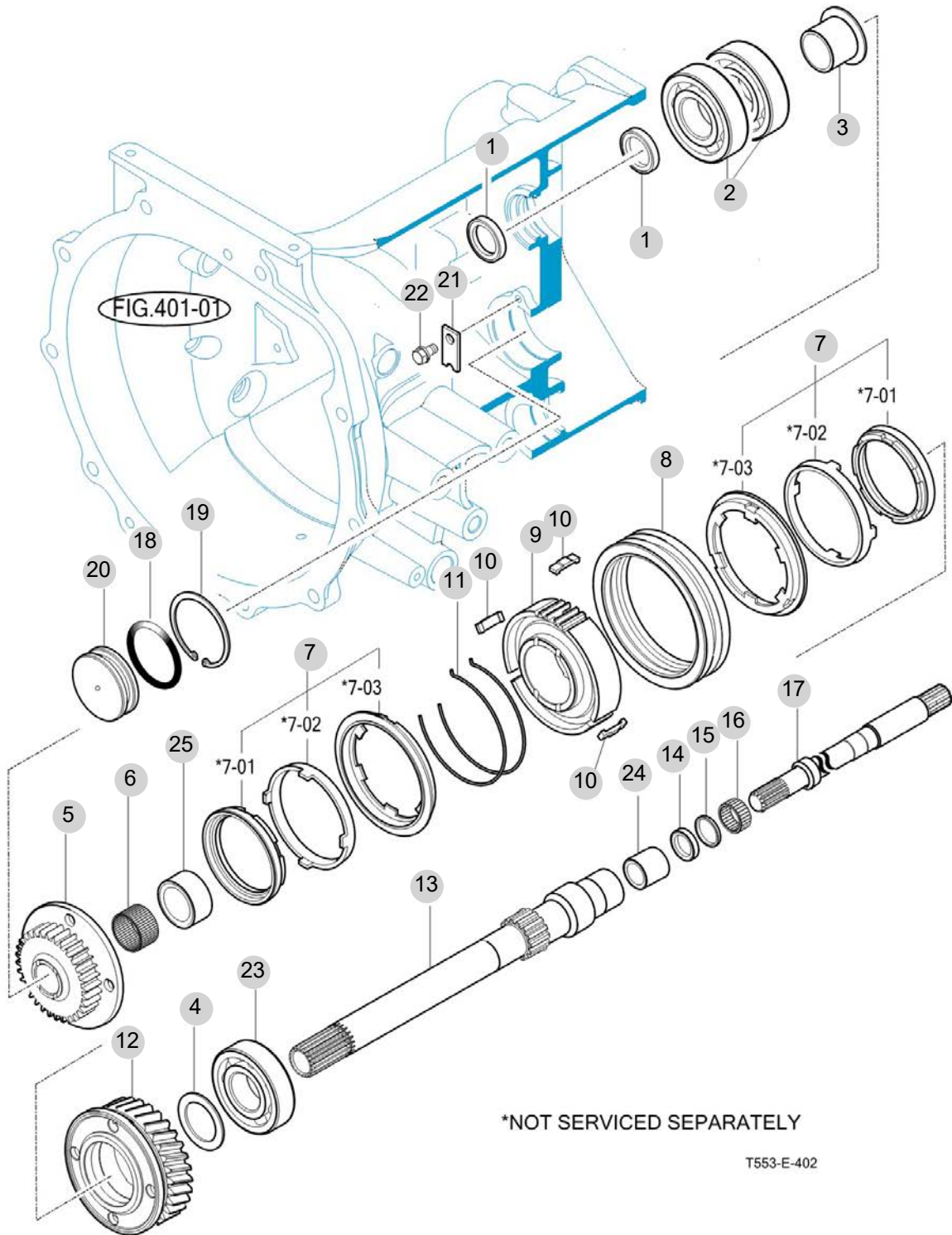
FIG 402

FORWARD & BACKWARD GEARS

년/월
Year/Month

2022-12

T555STGBC



NOTE

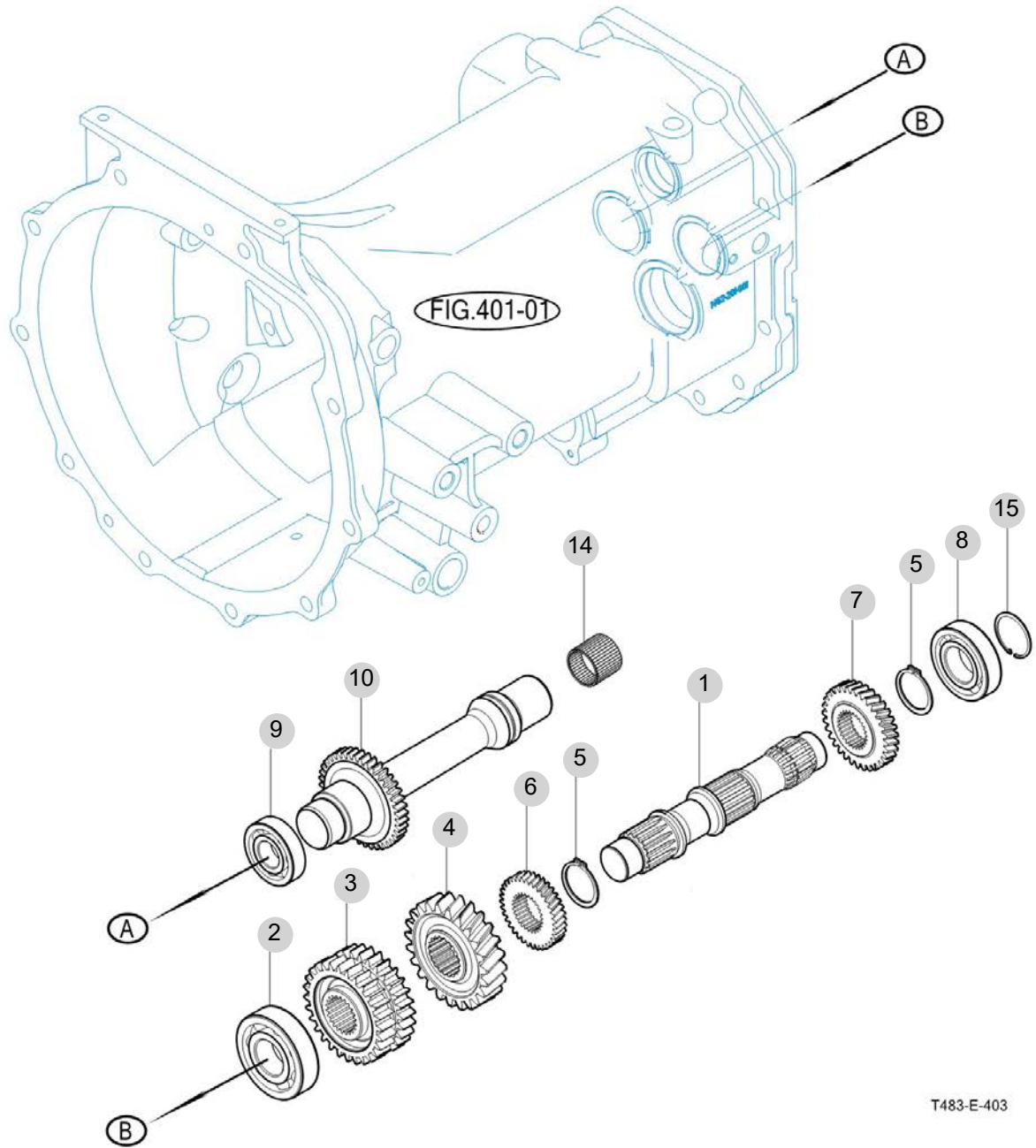
FIG 403

IDLE & COUNTER GEARS

년/월
Year/Month

2022-12

T555STGBC



T483-E-403

NOTE

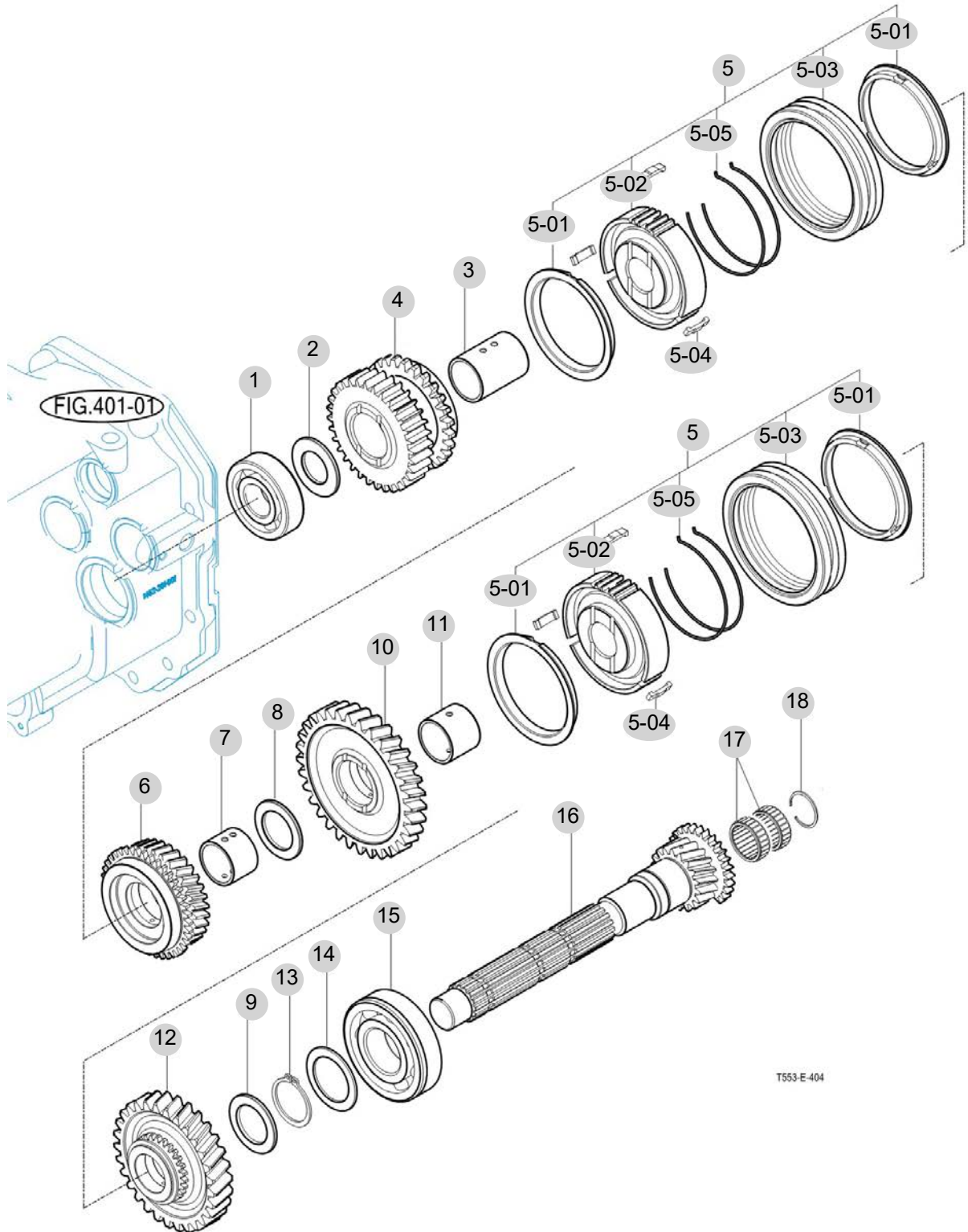
FIG 404

T555STGBC

MAIN SHIFT GEARS

년/월
Year/Month

2022-12



T553-E-404

NOTE

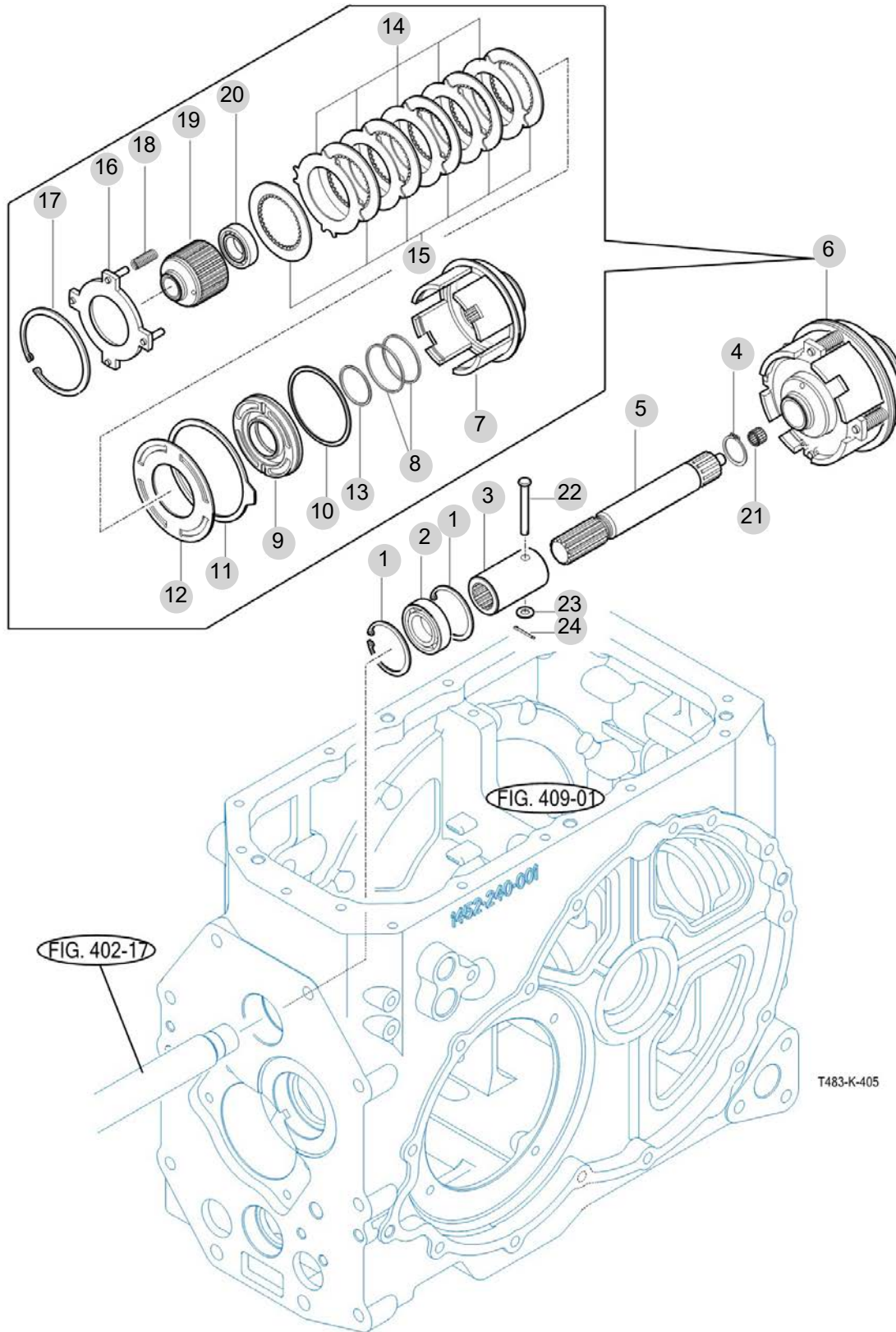
FIG 405

P.T.O DRIVE SHAFT

년/월
Year/Month

2022-12

T555STGBC



NOTE

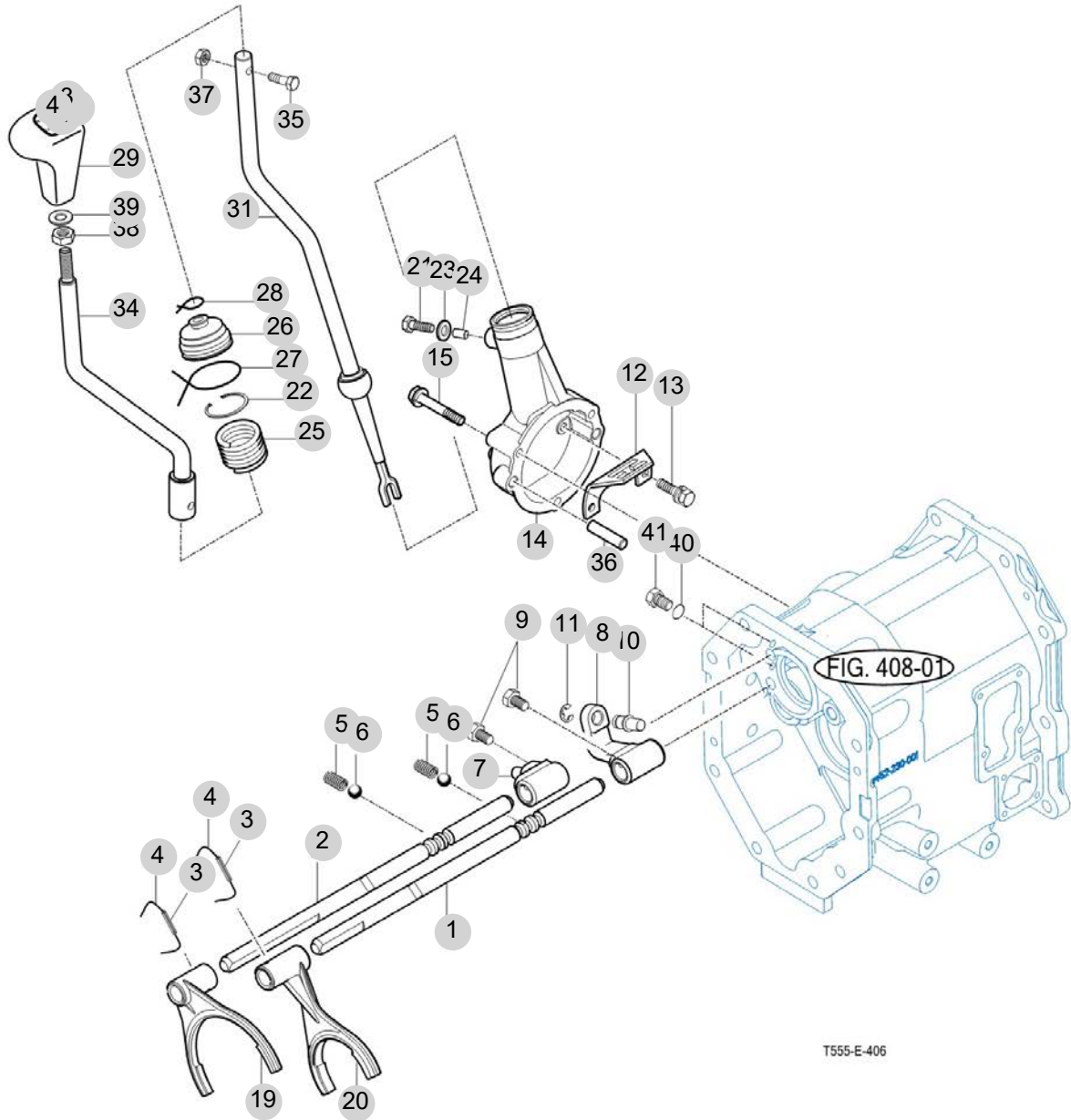
FIG 406

MAIN CHANGE LEVER

년/월
Year/Month

2022-12

T555STGBC



NOTE

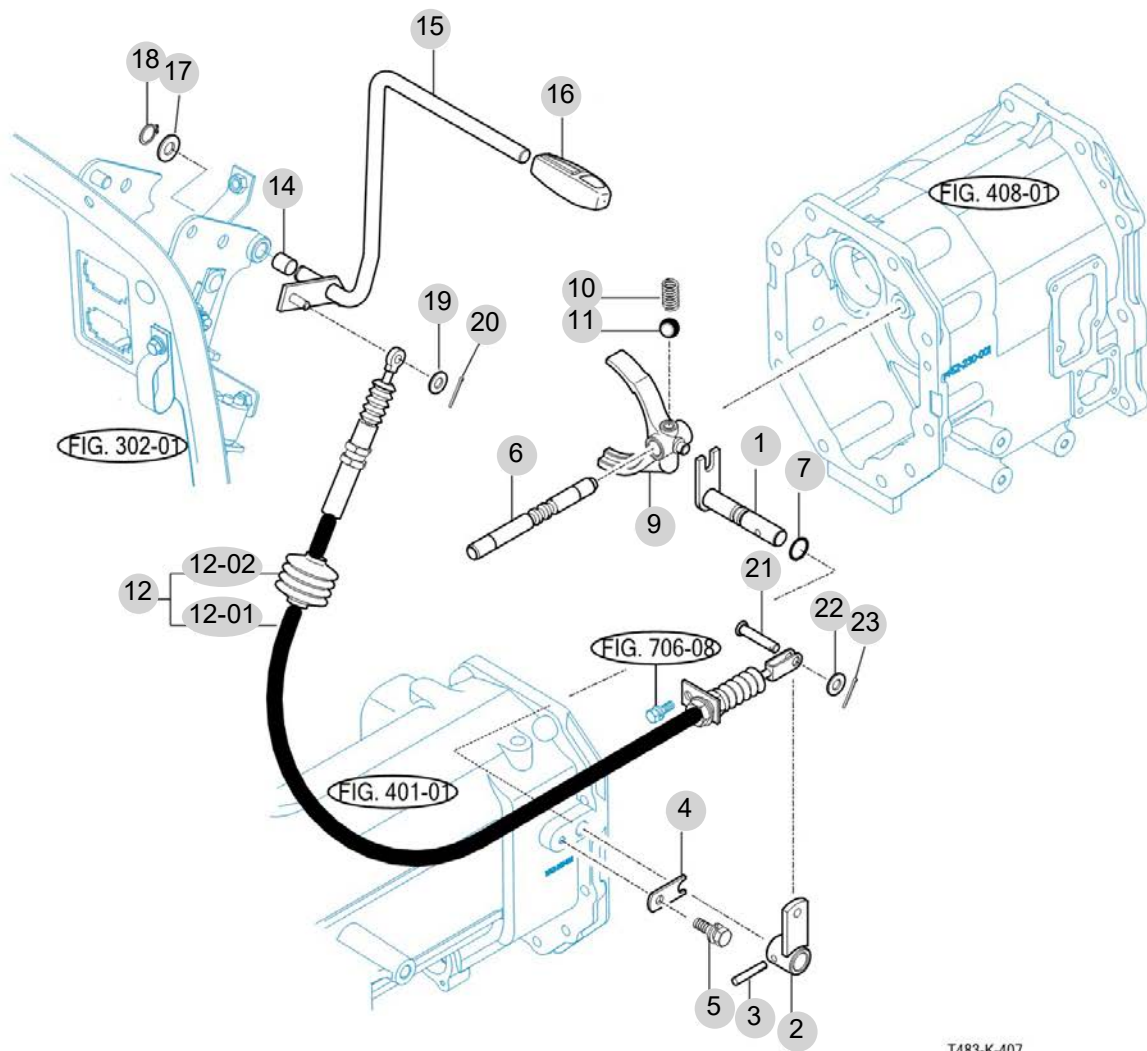
FIG 407

REVERSE CHANGE LEVER

년/월
Year/Month

2022-12

T555STGBC



T483-K-407

NOTE

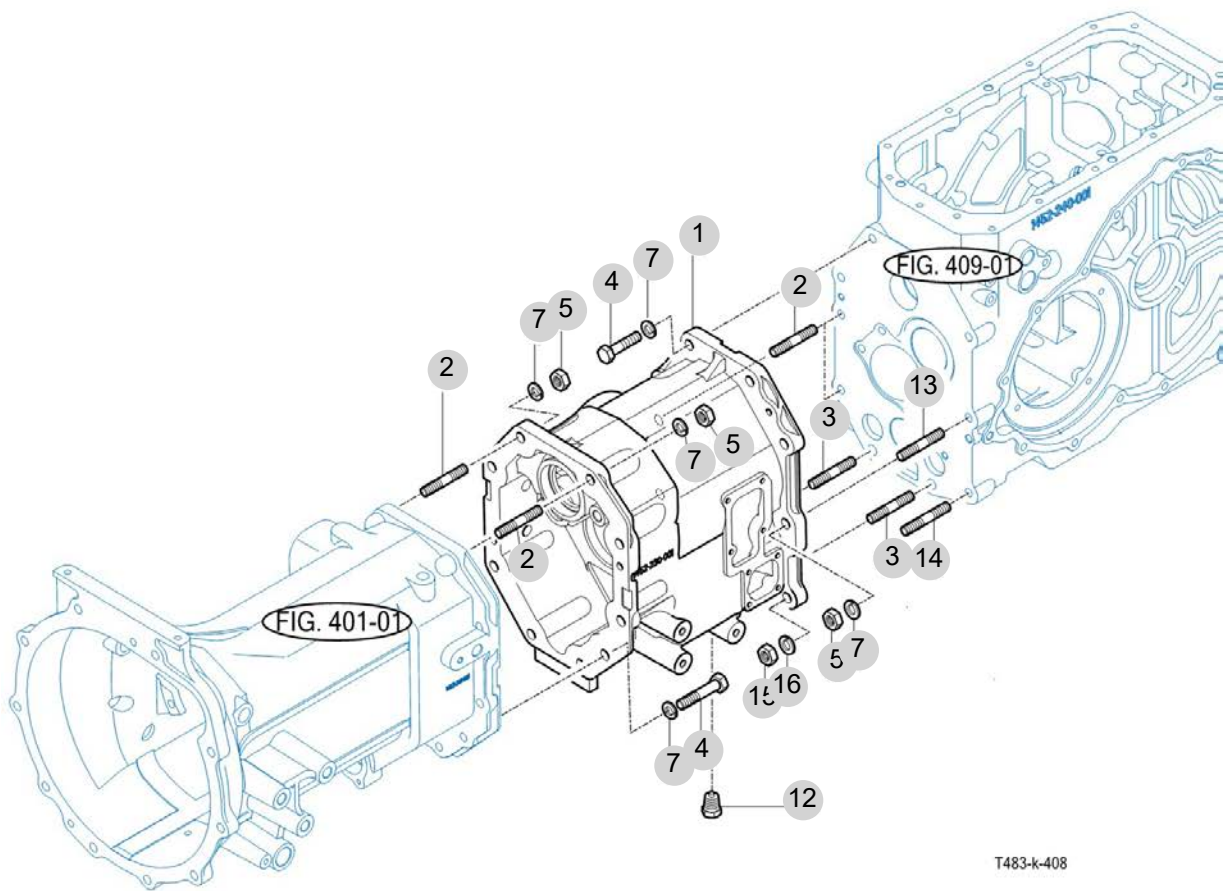
FIG 408

T555STGBC

TRANSMISSION MID CASE

년/월
Year/Month

2022-12



NOTE

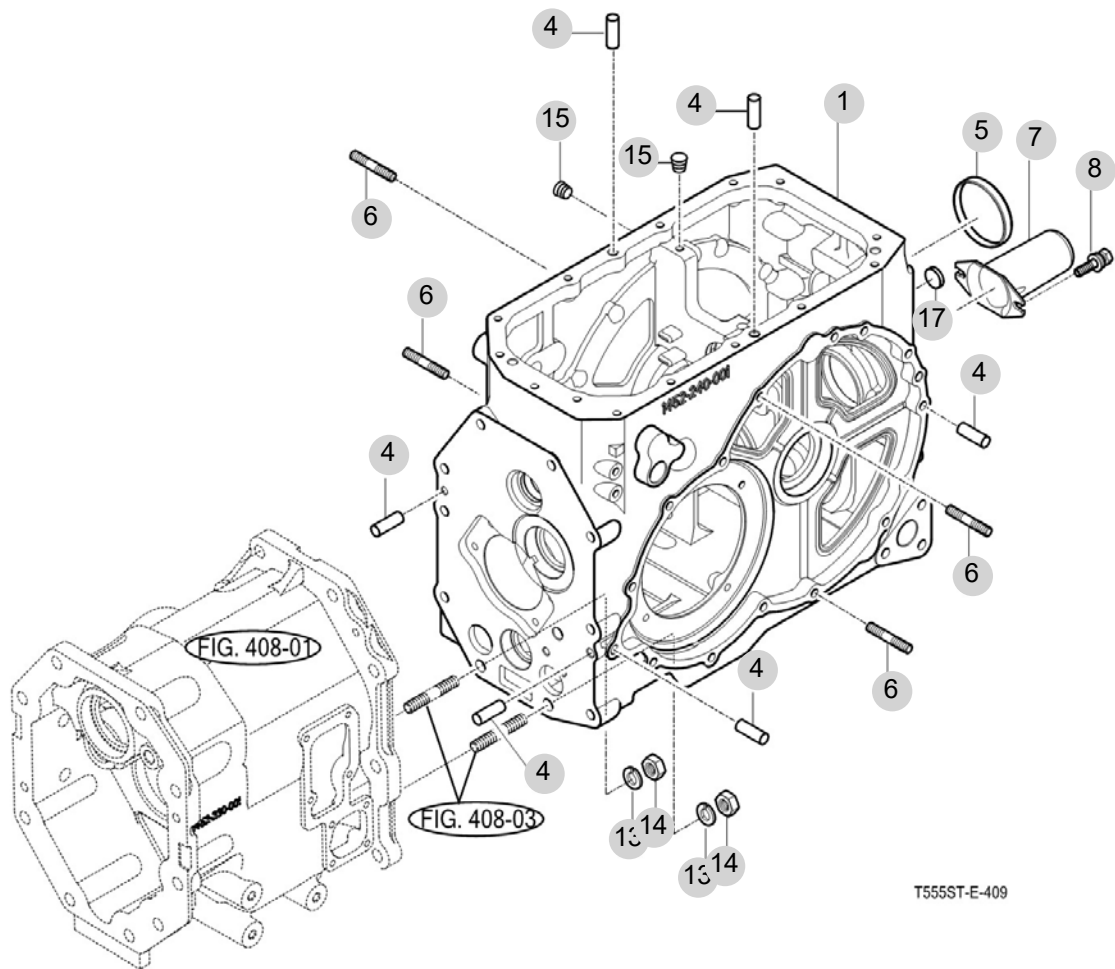
FIG 409

TRANSMISSION REAR CASE

년/월
Year/Month

2022-12

T555STGBC



NOTE

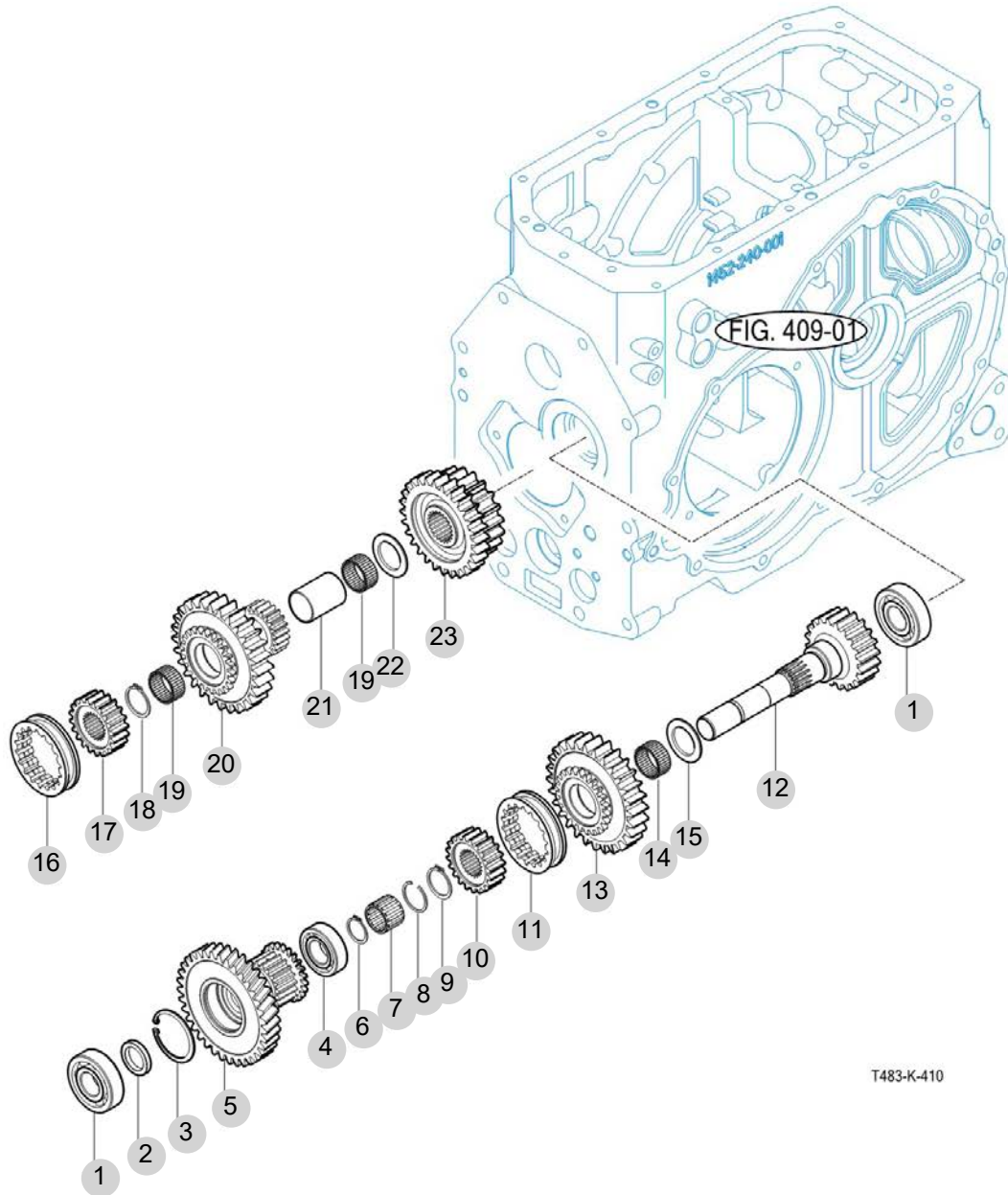
FIG 410

SUB CHANGE GEARS

년/월
Year/Month

2022-12

T555STGBC



T483-K-410

NOTE

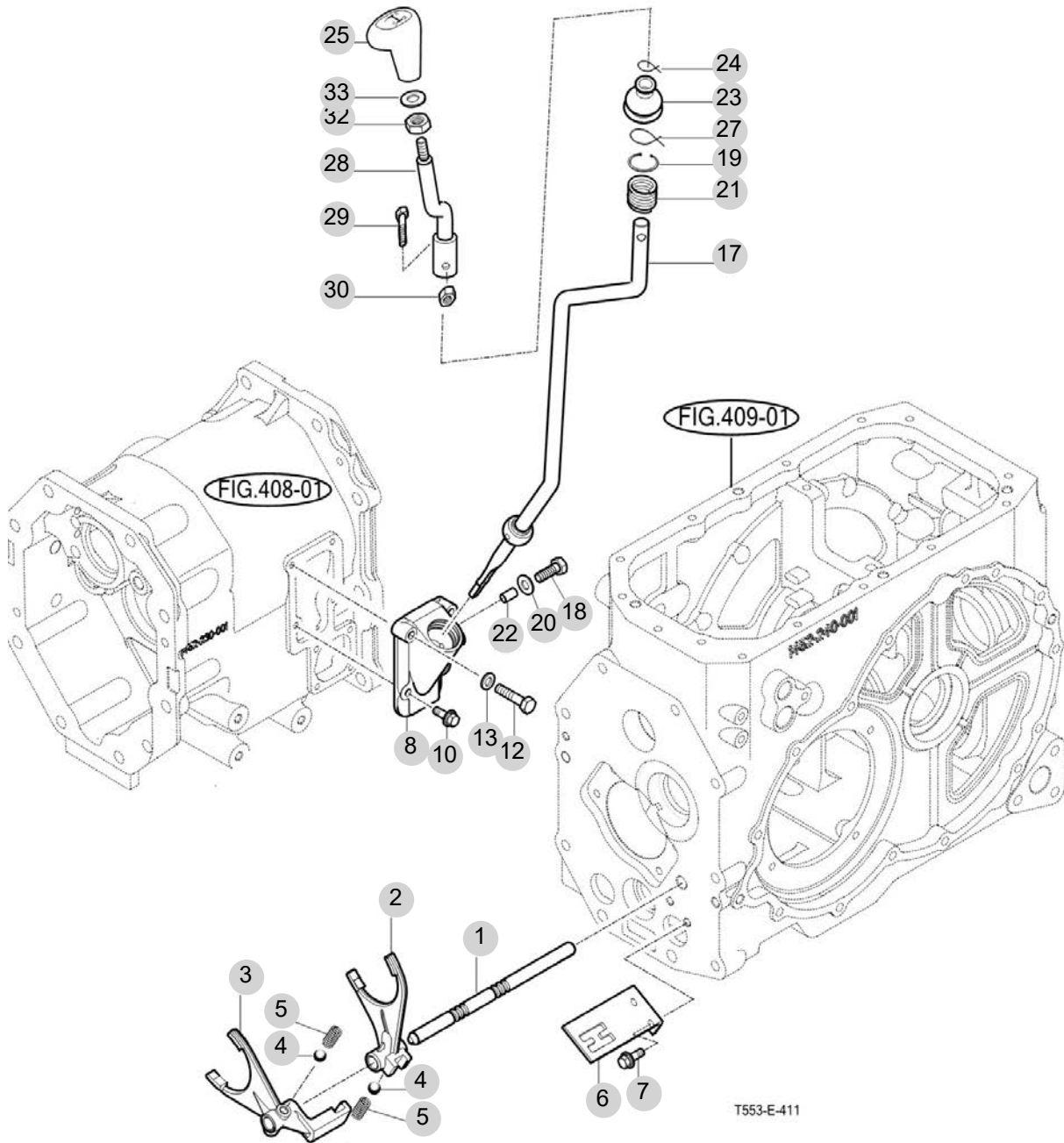
FIG 411

SUB CHANGE SHIFTER

년/월
Year/Month

2022-12

T555STGBC



NOTE

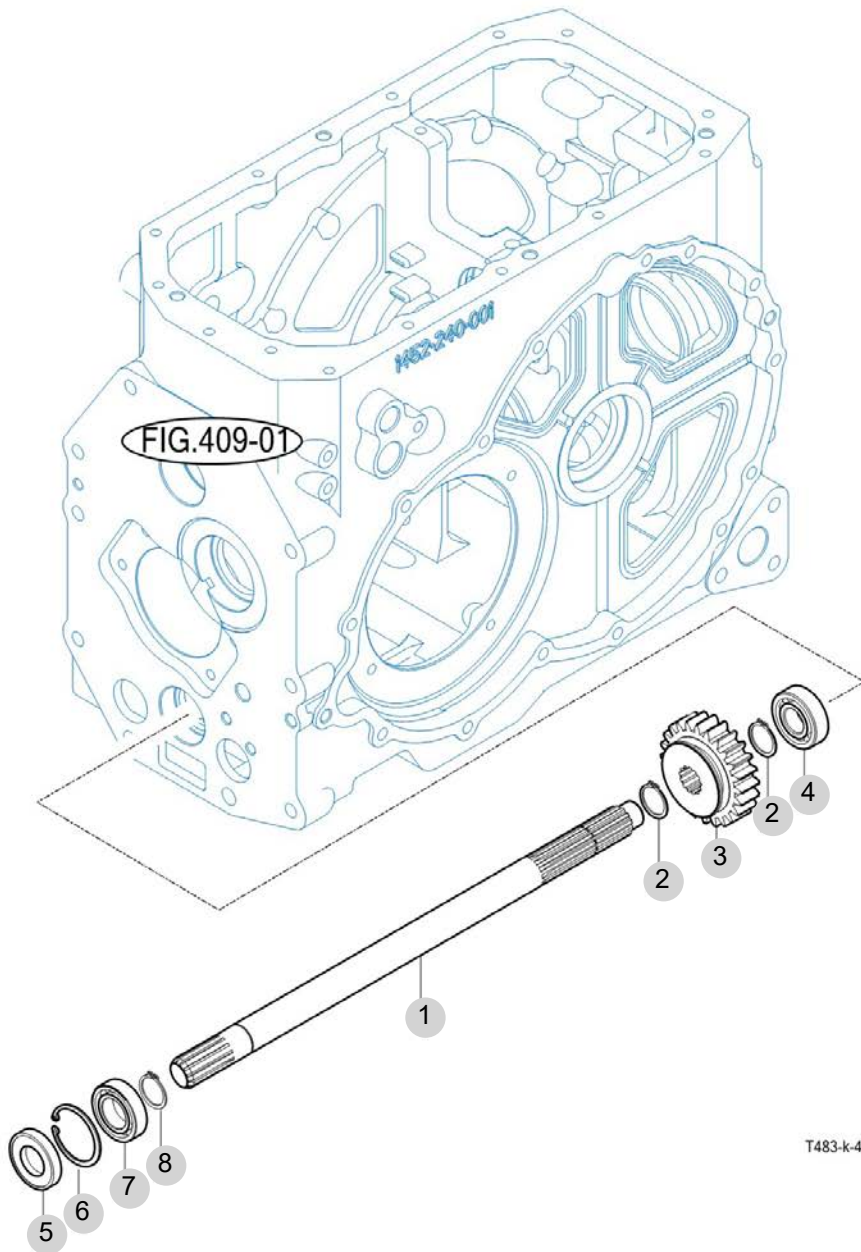
FIG 413

DRIVE GEARS

년/월
Year/Month

2022-12

T555STGBC



T483-k-413

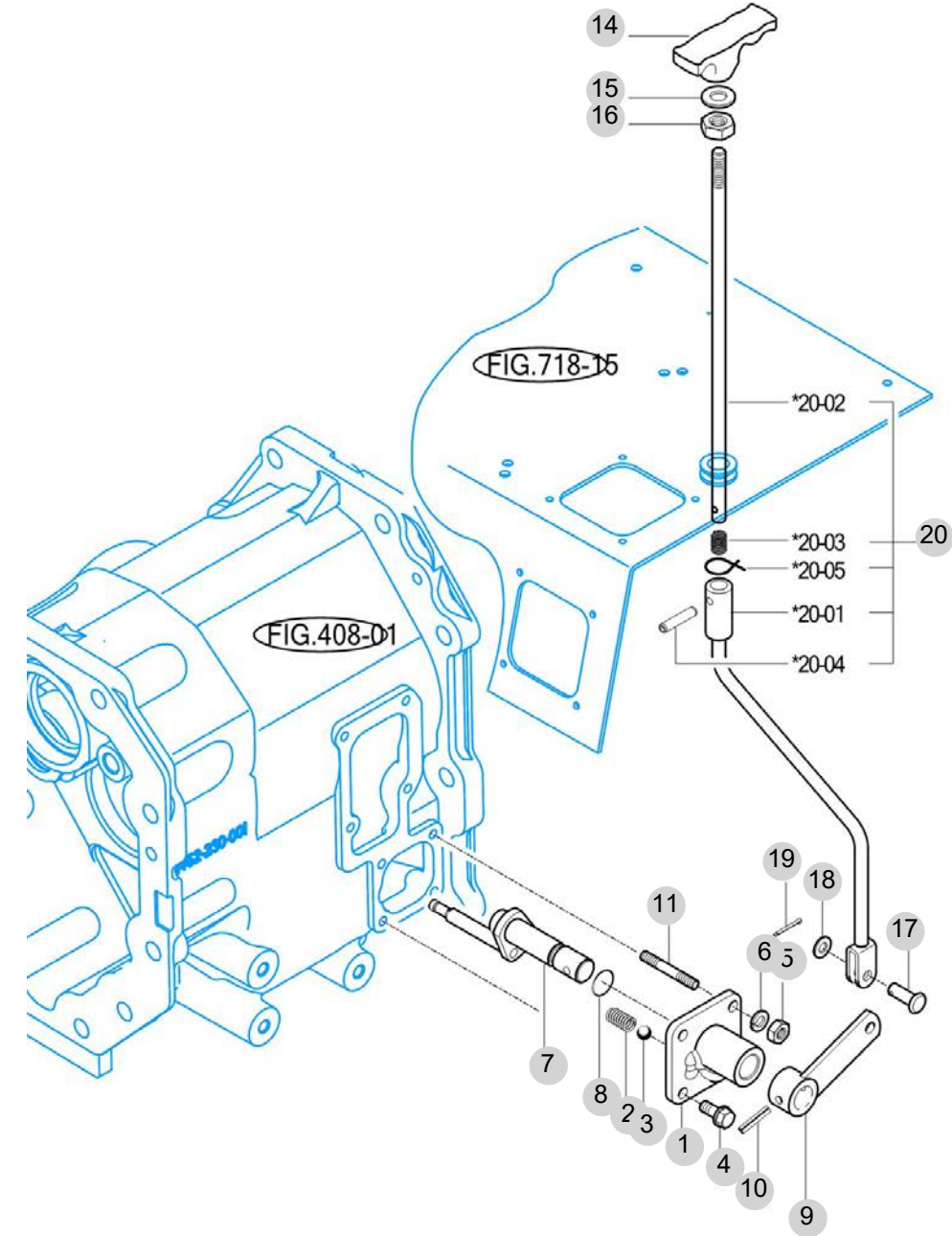
NOTE

FIG 414

4WD CHANGE LEVER

년/월
Year/Month

2022-12



*NOT SERVICED SEPARATELY

T483-E-414A

NOTE

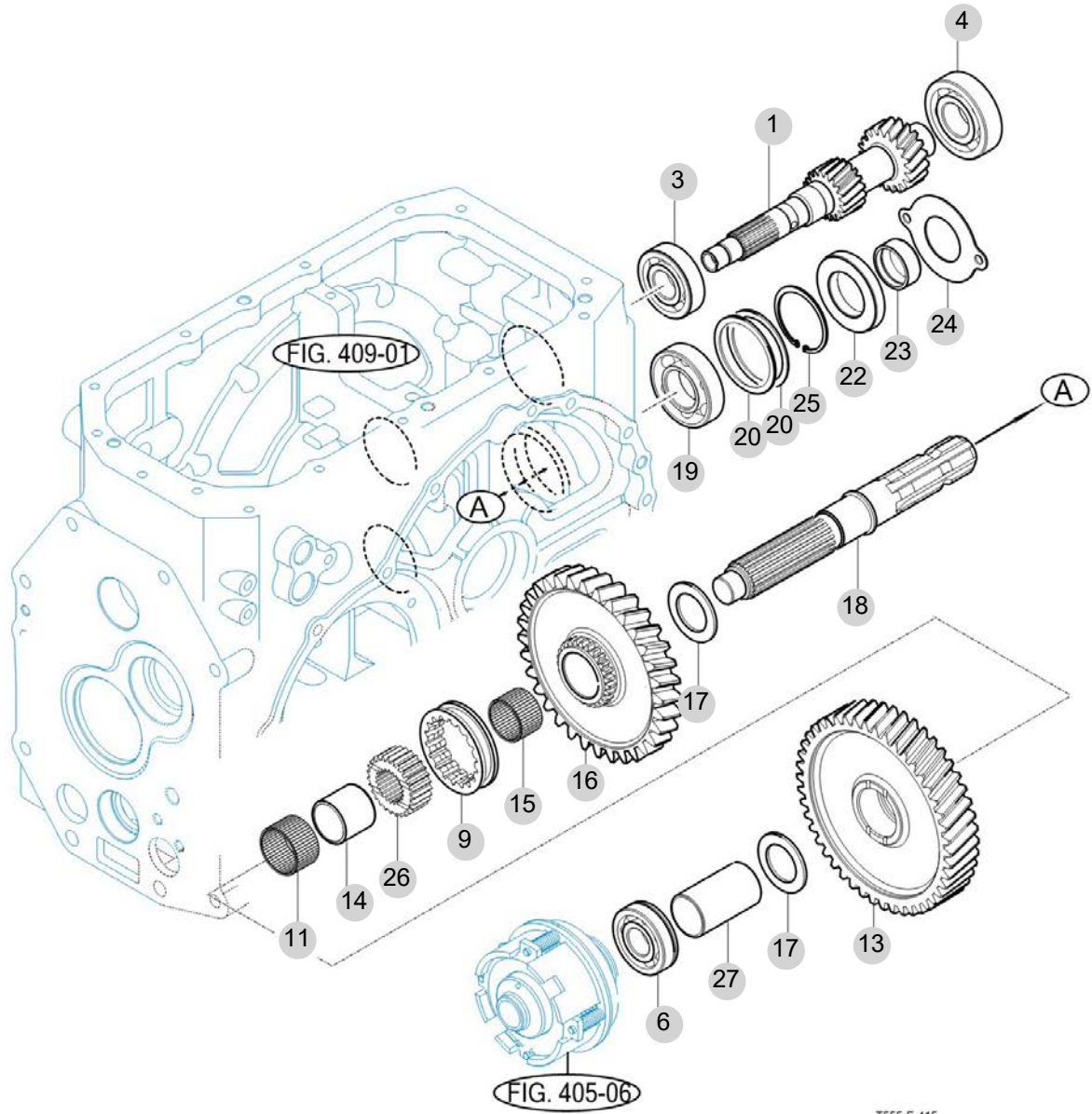
FIG 415

T555STGBC

P.T.O CHANGE GEARS

년/월
Year/Month

2022-12



NOTE

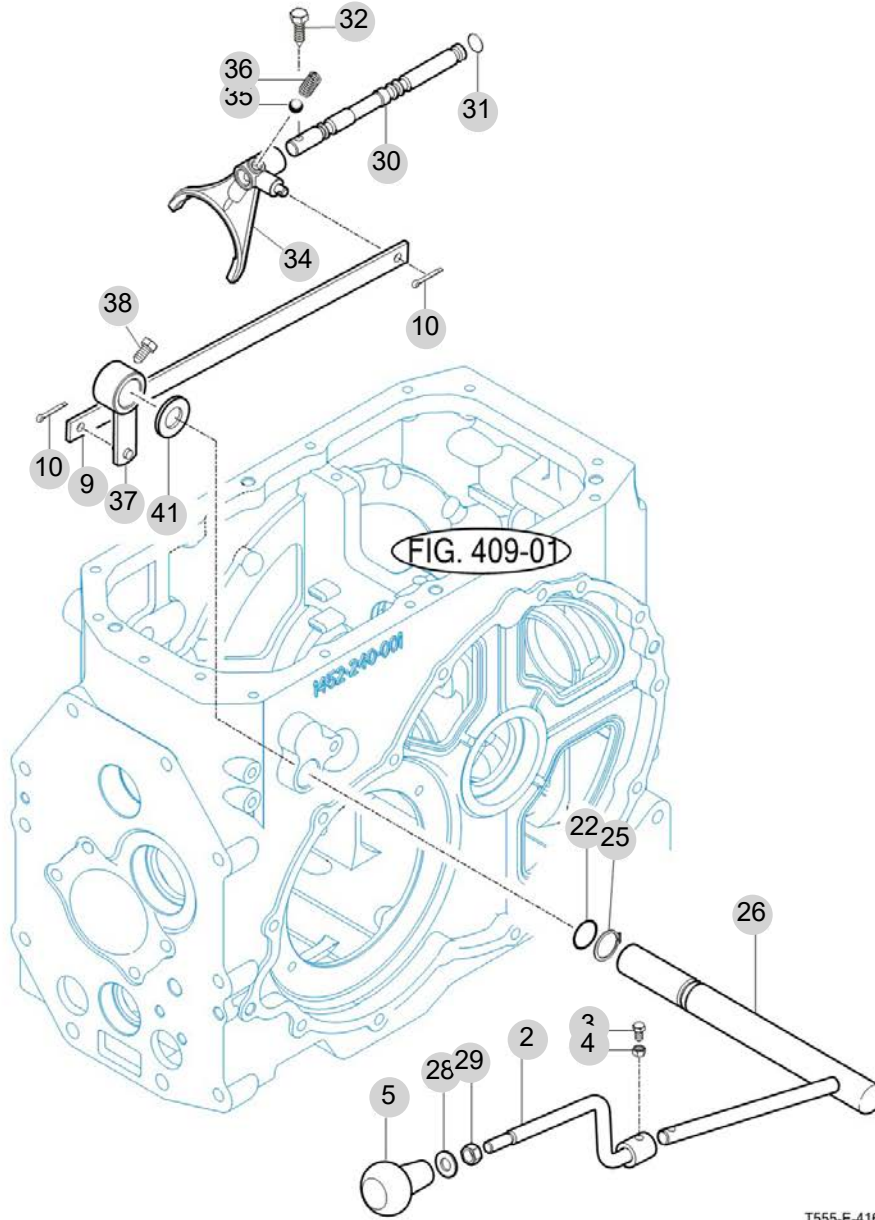
FIG 416

T555STGBC

P.T.O CHANGE SHIFTER

년/월
Year/Month

2022-12



T555-E-416

NOTE

FIG 417		REAR DIFFERENTIAL GEARS					년/월 Year/Month		
							2022-12		
T555STGBC		KEY NO	PART NO	DESCRIPTION	SPEC	QTY	REPAIR	EFFECTIVE DATE	REMARKS
417	0	14523031001	리어차동장치(47PS)ASSY			1			
417	1	14523030010M	케이스(디프)			1			
417	2	V5801408040	스프링핀	8X50		1			
417	3	V4011600100	스프링와셔	M10		10			
417	4	V2024610025	소형육각볼트(가는)	M10X25		10			
417	5	V5801405036	스프링핀	5X36		1			
417	6	14523180041	피니언(차동)			2			
417	7	14523030080	칼라(피니언)	T=1.0		2			
417	9	14523180061	피니언(베벨/16 LH)			1			
417	10	14523030100	와셔(스러스트)	D=52.5		2			
417	11	14523030110	디프피니언샤프트	D=23		1			
417	12	14523180031	피니언(베벨/16 RH)			1			
417	13	14523030131M	메탈(LH/디프케이스)			1			
417	15	14523010090	심(B)	T=0.2		4			
417	16	V2173610025	소형육각볼트보통(S)	M10X25		4			
417	17	V6001106212	볼베어링	6212		1			
417	18	14523010080	심(A)	T=0.1		2			
417	19	14523022100	기어(10X41)SET			1			
417	19-01	14523022111	베벨피니언			1			
417	19-02	14523022120	스파이럴베벨기어			1			
417	20	14523010050	심(0.1)	T=0.1		2			
417	22	15533030020	너트(M40XP1.5)			1			
417	23	V6321132208	테이퍼롤러베어링(보통)	32208CR		2			
417	24	14523010100	심(0.2)	T=0.2		1			
417	26	15133060030	스러스트칼라(45X68X4)			2			
417	28	14523060011	피니언(헬리컬/11/LH)			1			
417	29	14523060021	피니언(헬리컬/11/RH)			1			
417	30	V6041106309	볼베어링(HL1)	HL1		2			
417	32	V7041400450	C형멈춤링(축용)	45		4			
417	34	14523033400	슬리브COMP			1			
417	35	V6001106211	볼베어링	6211		1			
417	37	V7051401100	C형멈춤링(구멍용)	R110		1			
417	39	14523032002	샤프트(디프록)	D=20		1			
417	40	V4111600200	평와셔	M20		1			
417	41	V7201024016	O링(P)	P16		1			
417	42	17973030420	스프링	D=3.6		1			
417	43	14523190011M	포크(디프록)			1			
417	44	V5801406032	스프링핀	6X32		2			
417	45	V5801408036	스프링핀	8X36		1			
417	46	14543162101	디프록페달COMP			1			
417	47	V5801405036	스프링핀	5X36		1			
417	48	14521220120	페달COMP,액셀			1			
417	49	V3342600100	소형육각너트가는2종	M10		1			
417	50	14523160020	스프링(디프 페달)			1			
417	51	16703180191	플레이트	25X4.5T		1			
NOTE									

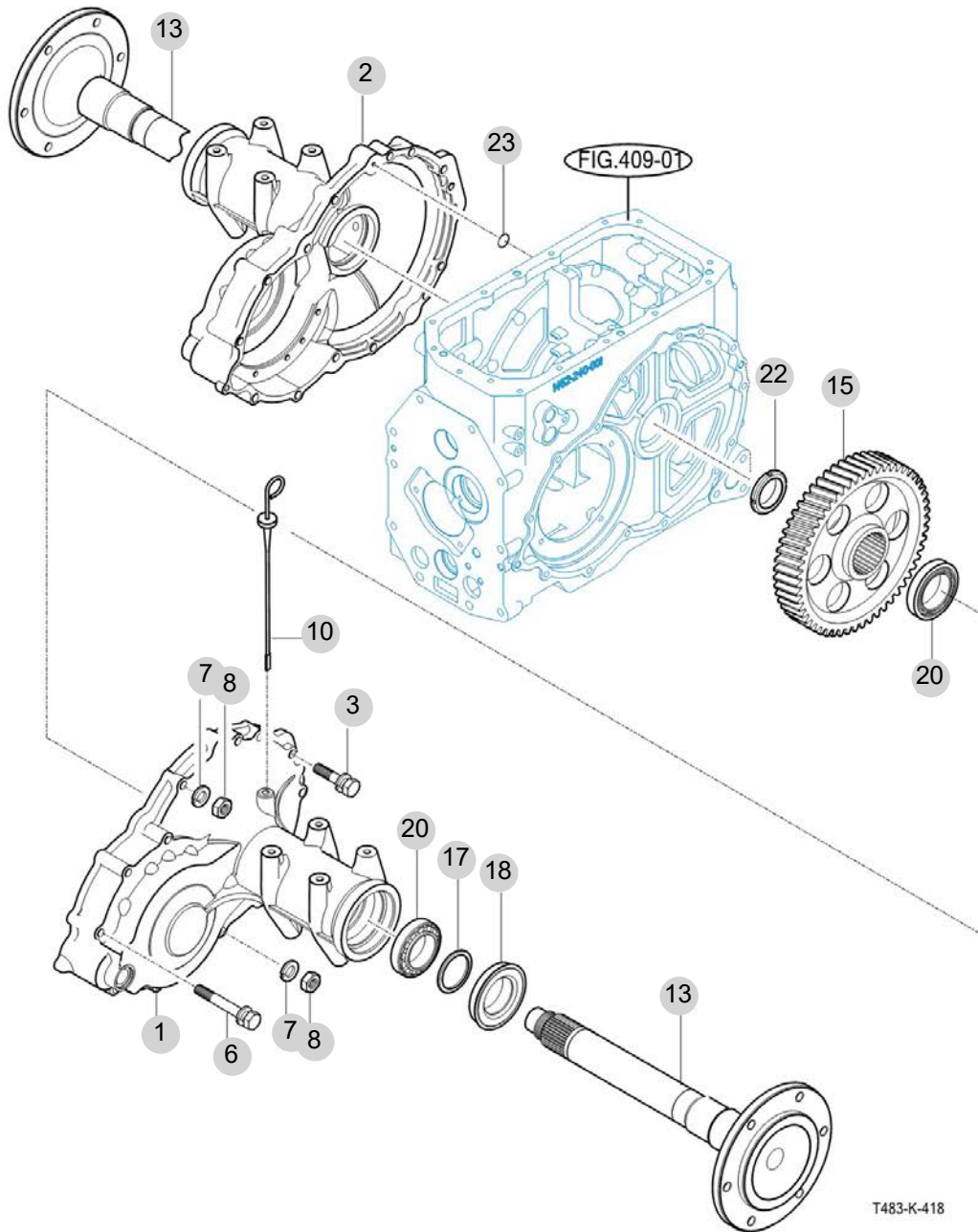
FIG 418

REAR AXLE HOUSING

년/월
Year/Month

2022-12

T555STGBC



NOTE

5. 프런트 액슬 PART NO. T5

FIG 501 FRONT AXLE SUPPORT	131
FIG 502 FRONT DRIVE SHAFT	133
FIG 503 FRONT AXLE HOUSING	135
FIG 504 FRONT DIFFERENTIAL GEARS	137
FIG 505 FRONT GEAR CASE (1)	139
FIG 506 FRONT GEAR CASE (2)	141
FIG 507 FRONT GEAR CASE (3)	143

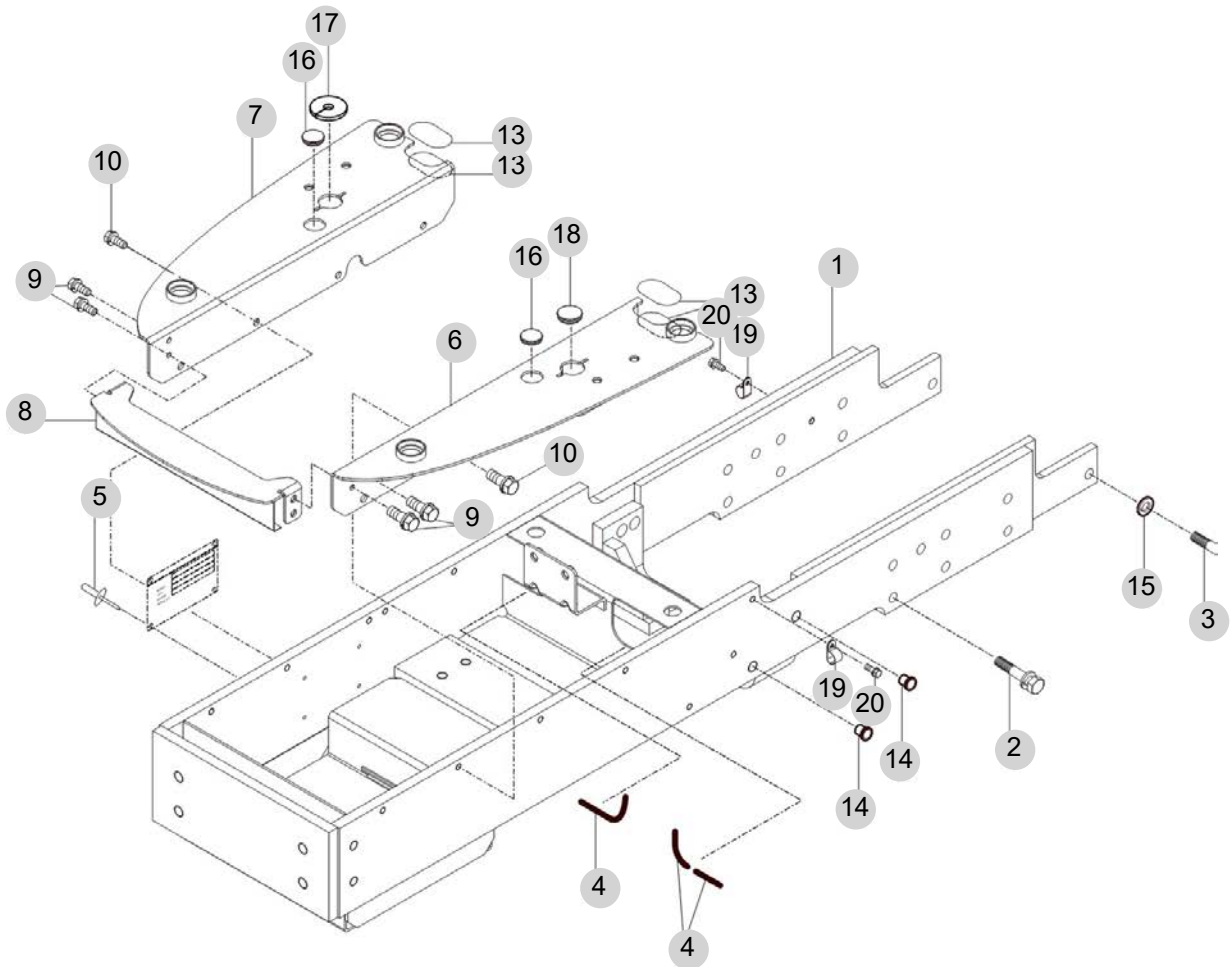
FIG 501

FRONT AXLE SUPPORT

년/월
Year/Month

2022-12

T555STGBC



NOTE

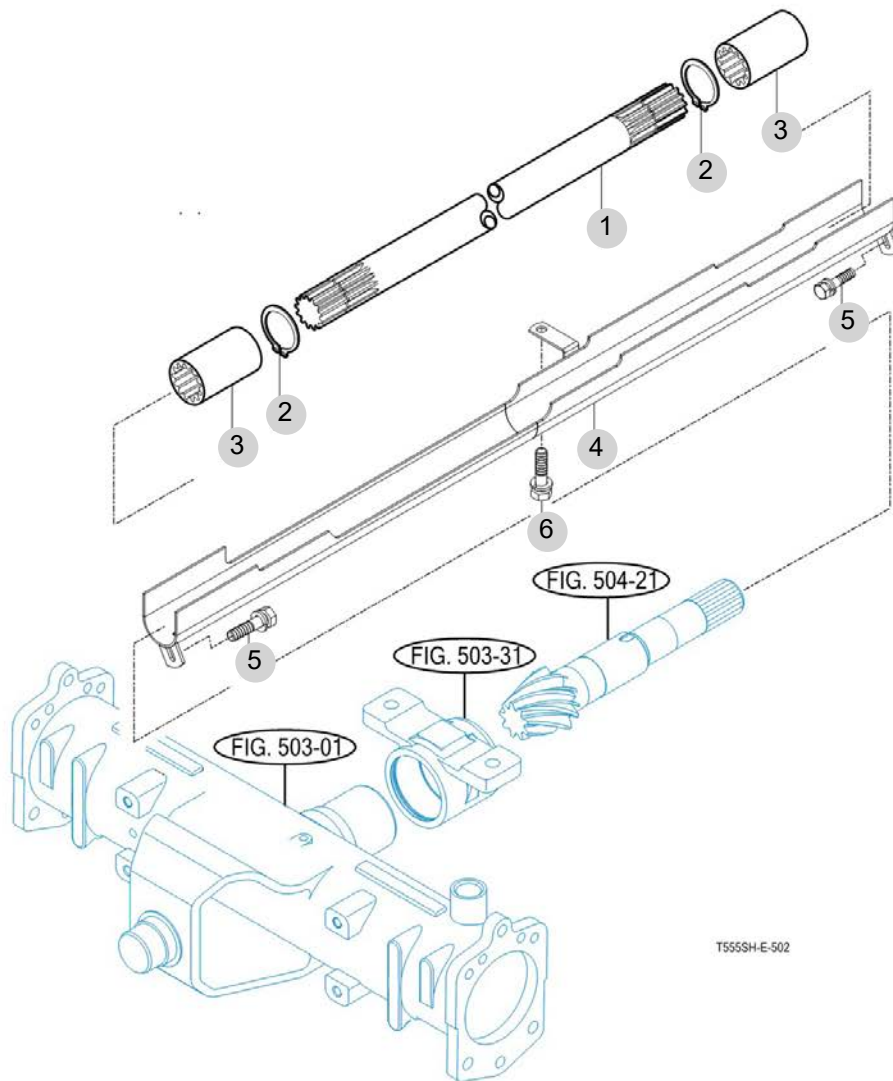
FIG 502

T555STGBC

FRONT DRIVE SHAFT

년/월
Year/Month

2022-12



NOTE

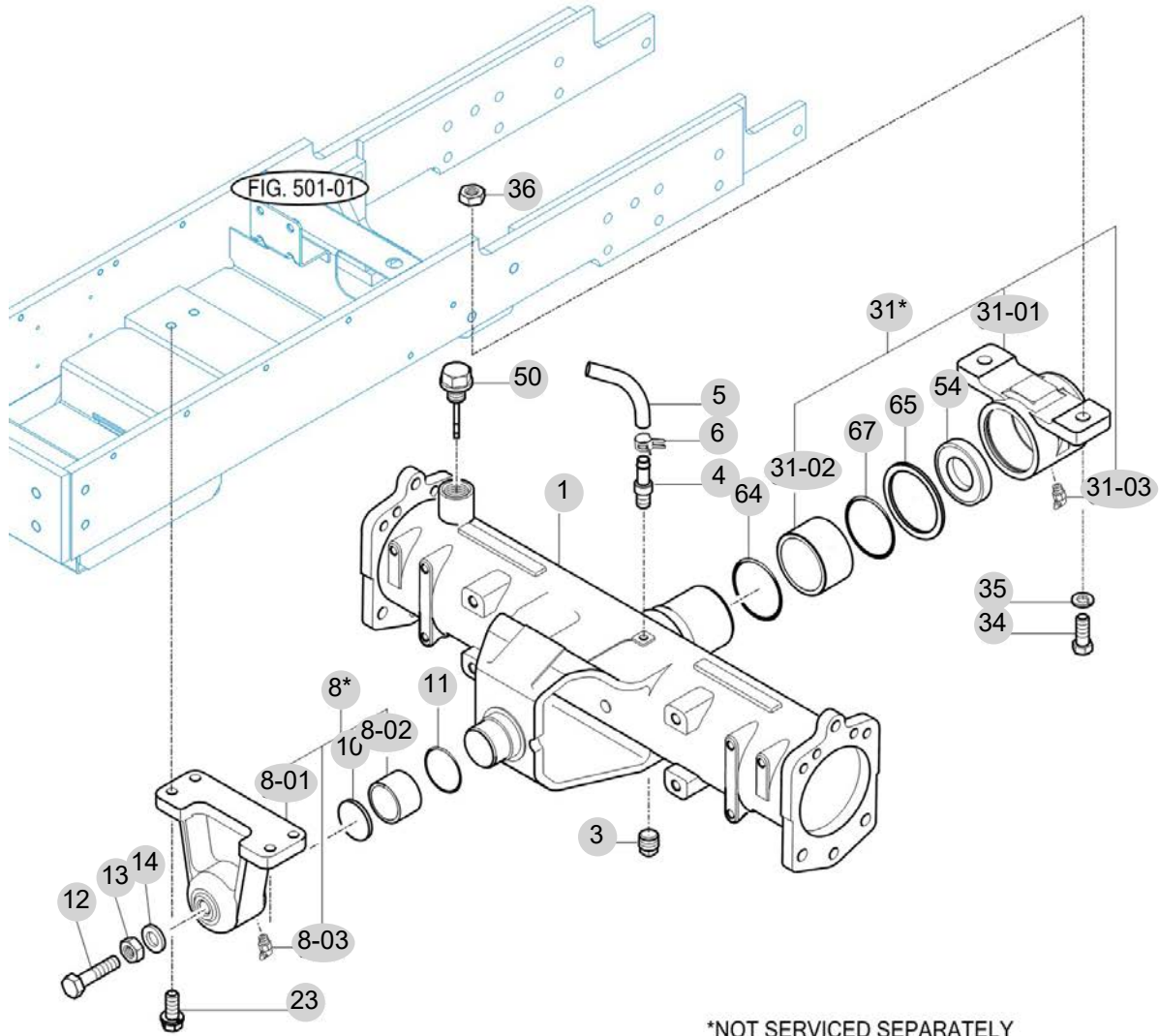
FIG 503

FRONT AXLE HOUSING

년/월
Year/Month

2022-12

T555STGBC



T554454-E-503

NOTE

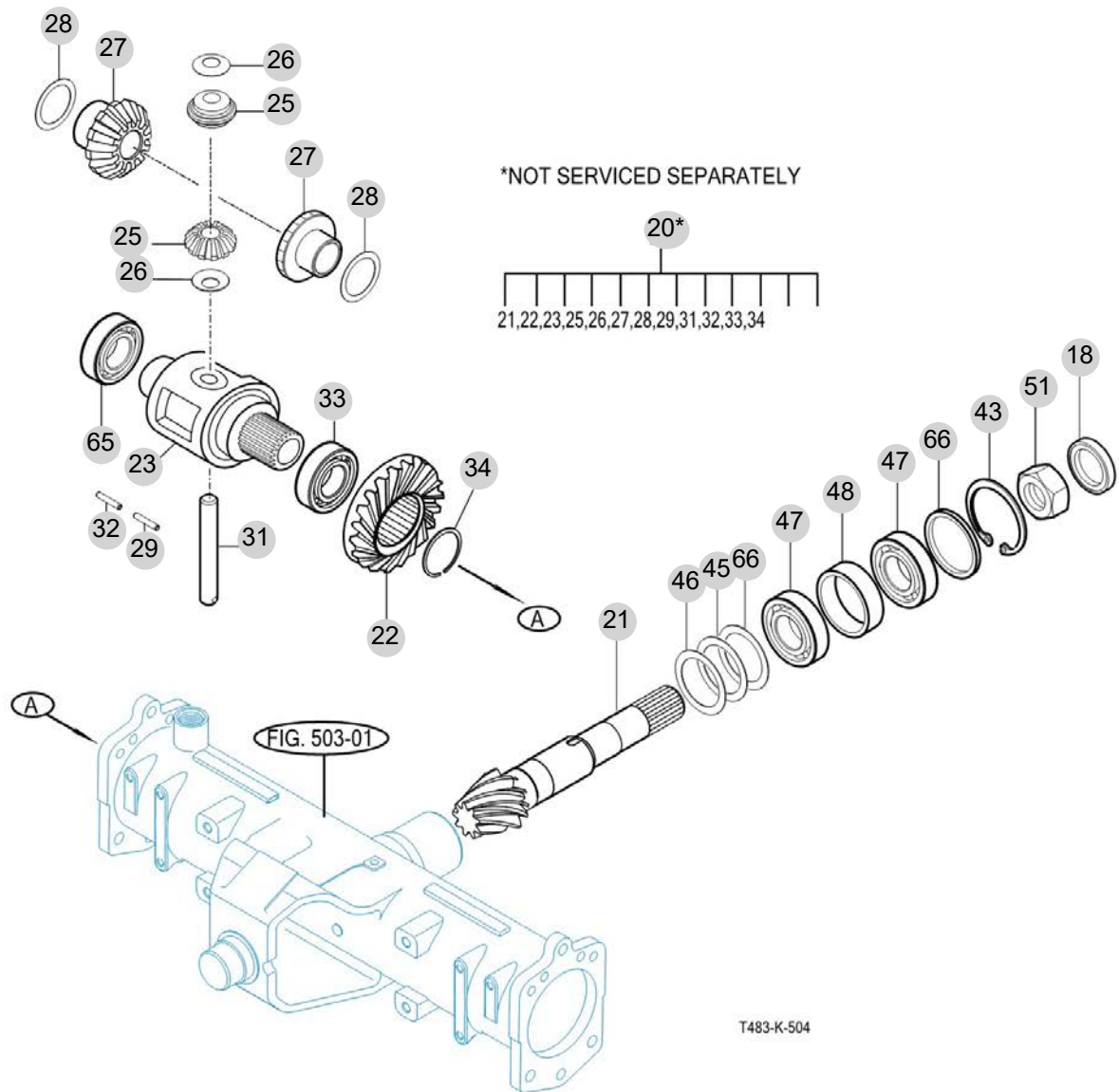
FIG 504

FRONT DIFFERENTIAL GEARS

년/월
Year/Month

2022-12

T555STGBC



NOTE

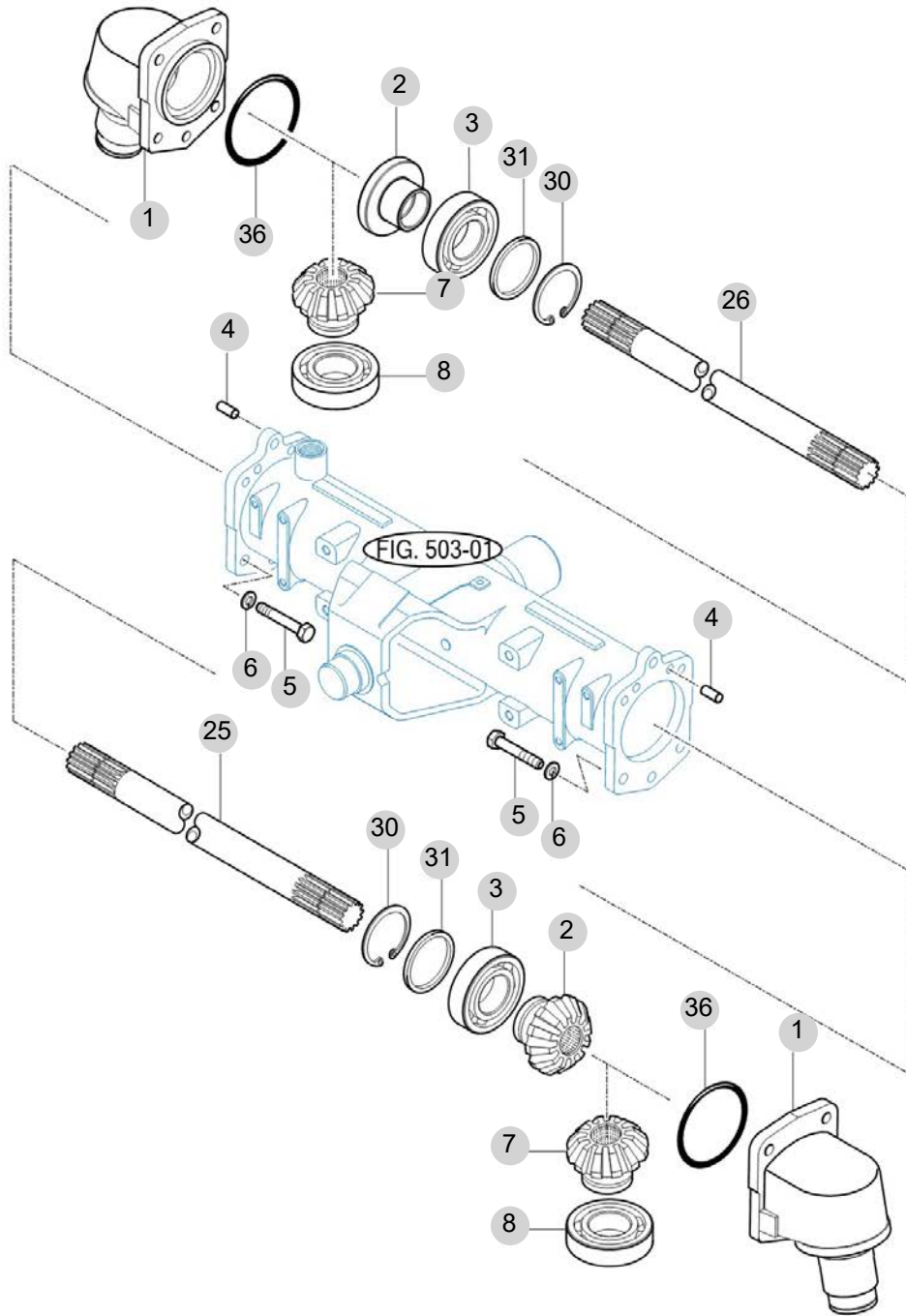
FIG 505

T555STGBC

FRONT GEAR CASE (1)

년/월
Year/Month

2022-12



NOTE

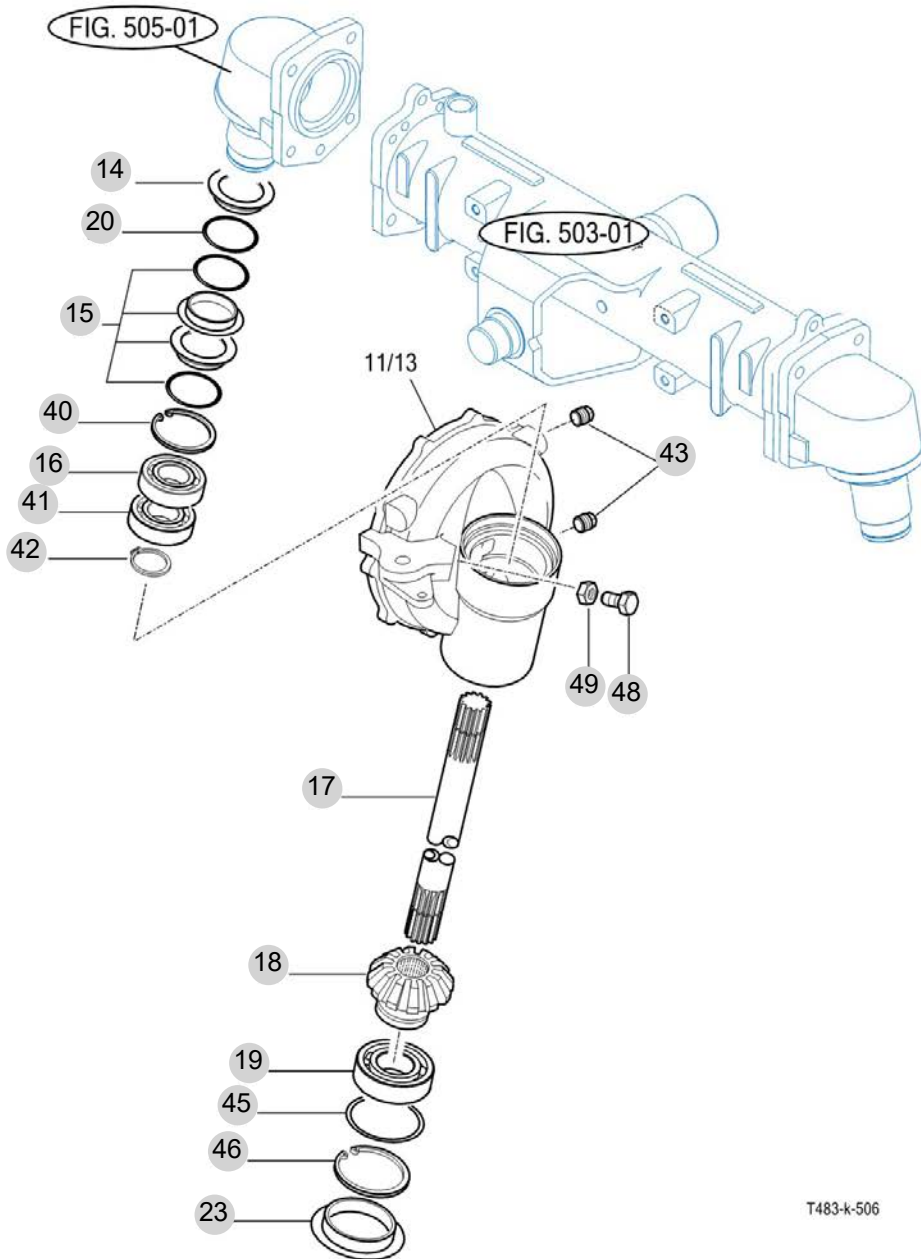
FIG 506

T555STGBC

FRONT GEAR CASE (2)

년/월
Year/Month

2022-12



T483-k-506

NOTE

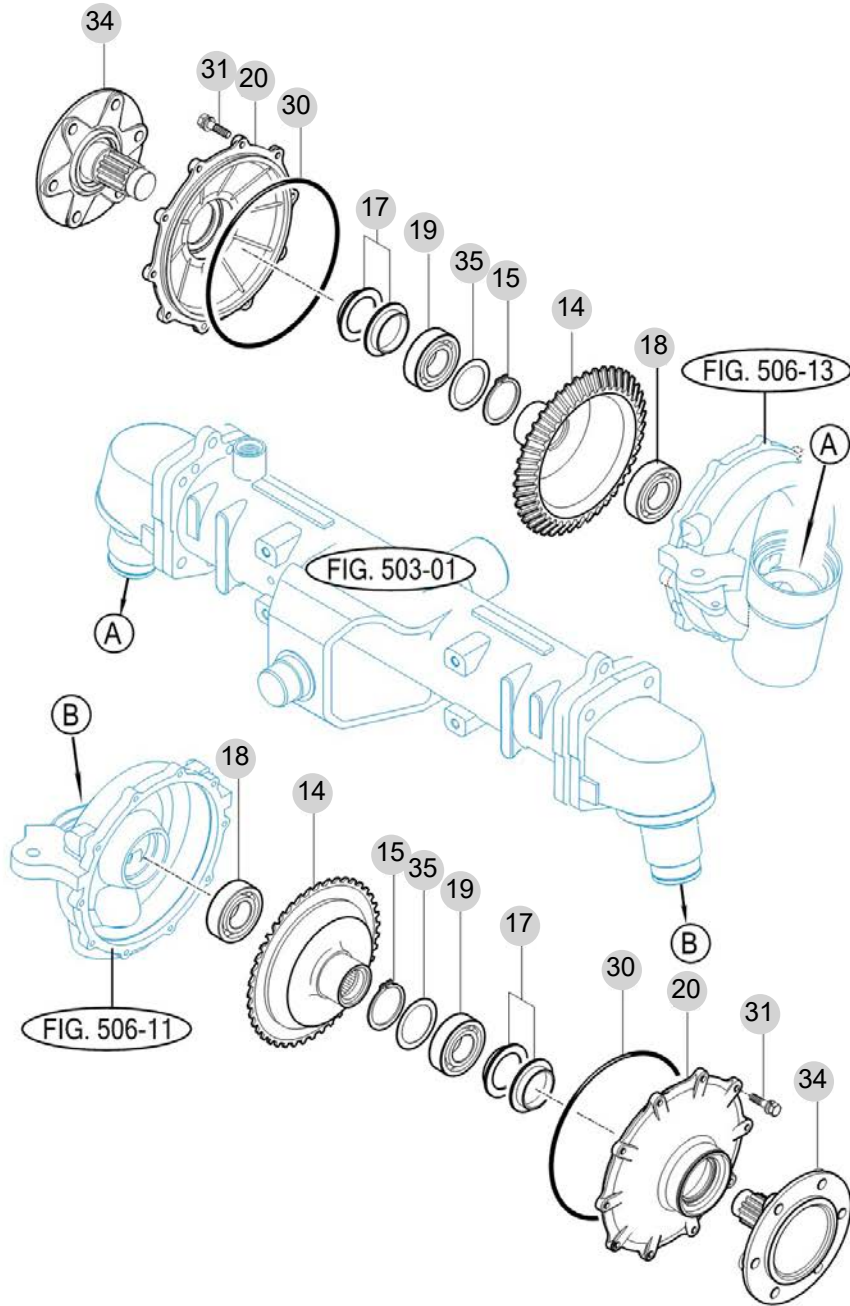
FIG 507

T555STGBC

FRONT GEAR CASE (3)

년/월
Year/Month

2022-12



NOTE

6. 유압/3점링크 PART NO. T6

FIG 601 CYLINDER CASE	146
FIG 602 LIFT ARM	148
FIG 603 CYLINDER	150
FIG 604 POSITION LINK	152
FIG 605 CONTROL VALVE	154
FIG 606 DRAFT LINK	156
FIG 607 POSITION & DRAFT LEVER	158
FIG 608 EXTERIOR HYD.VALVE	160
FIG 609 HYDRAULIC PIPE	162
FIG 610 JOYSTICK	165
FIG 611 HYDRAULIC HOSE	167
FIG 612 HITCH & 3-POINT LINK	169
FIG 613 HITCH & 3-POINT LINK	172

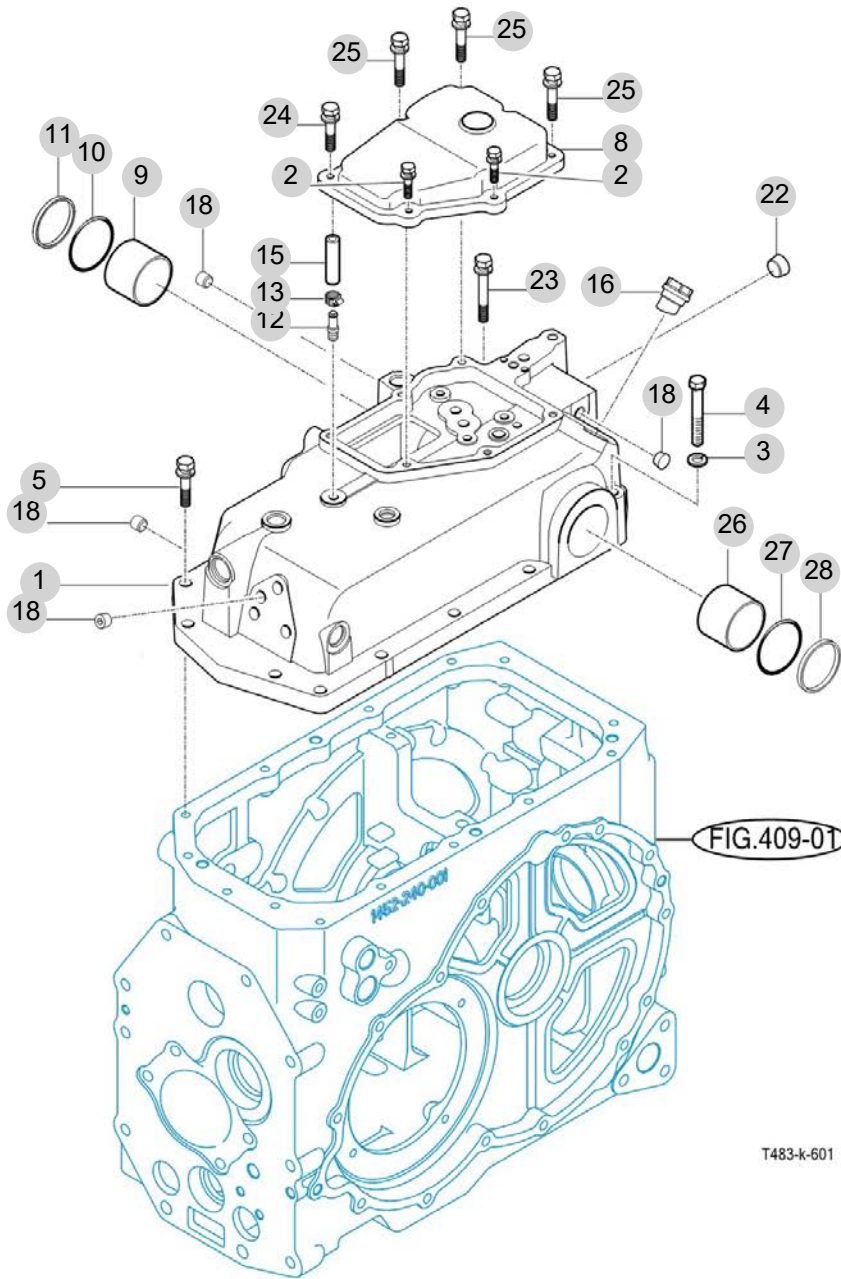
FIG 601

CYLINDER CASE

년/월
Year/Month

2022-12

T555STGBC



NOTE

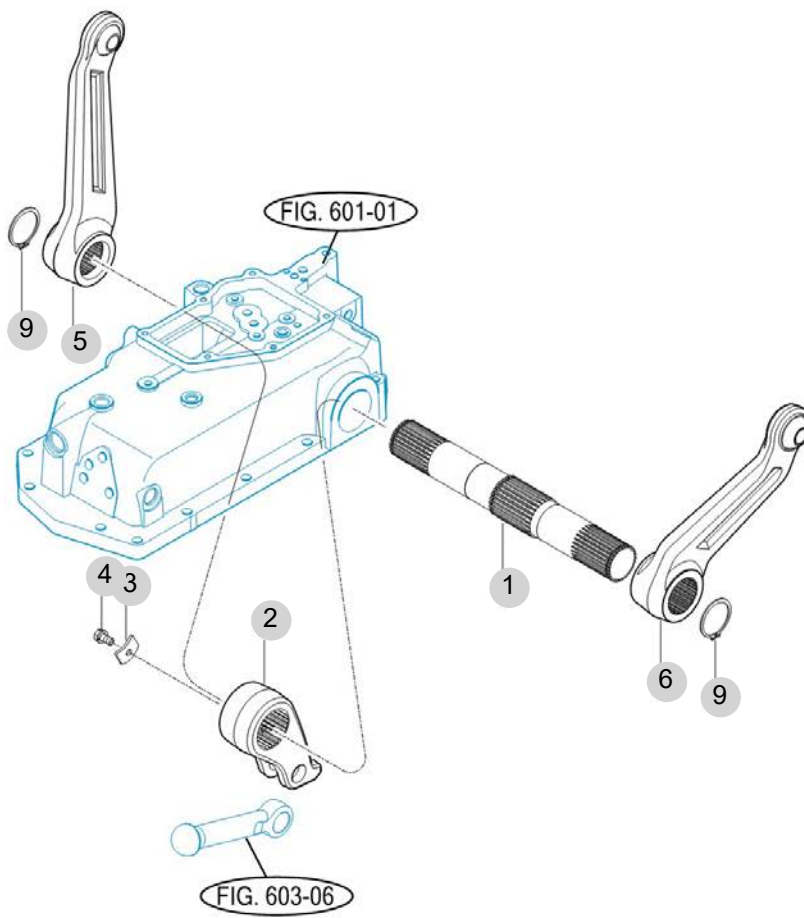
FIG 602

T555STGBC

LIFT ARM

년/월
Year/Month

2022-12



T483-K-602

NOTE

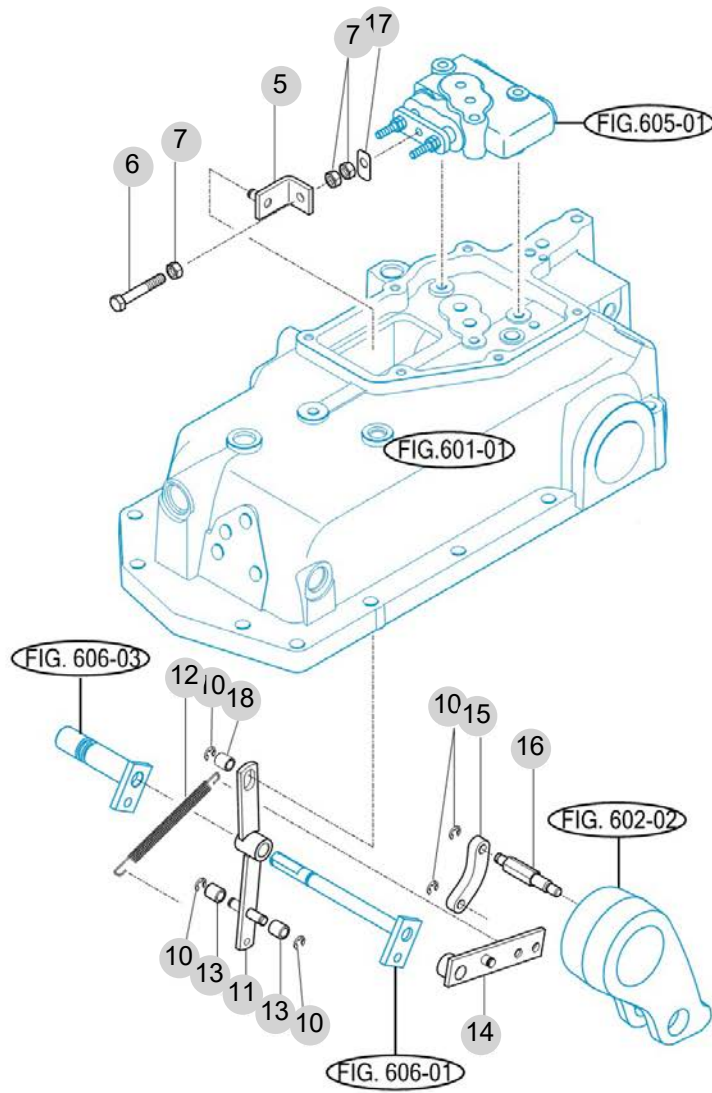
FIG 604

T555STGBC

POSITION LINK

년/월
Year/Month

2022-12



T483-K-604

NOTE

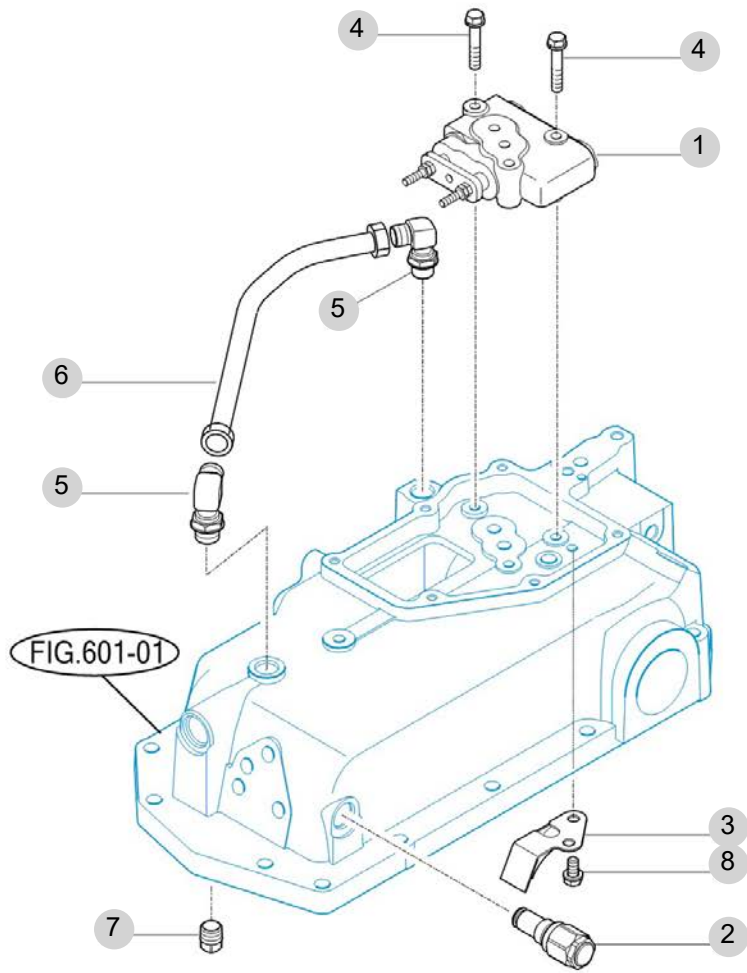
FIG 605

T555STGBC

CONTROL VALVE

년/월
Year/Month

2022-12



T483-K-605

NOTE

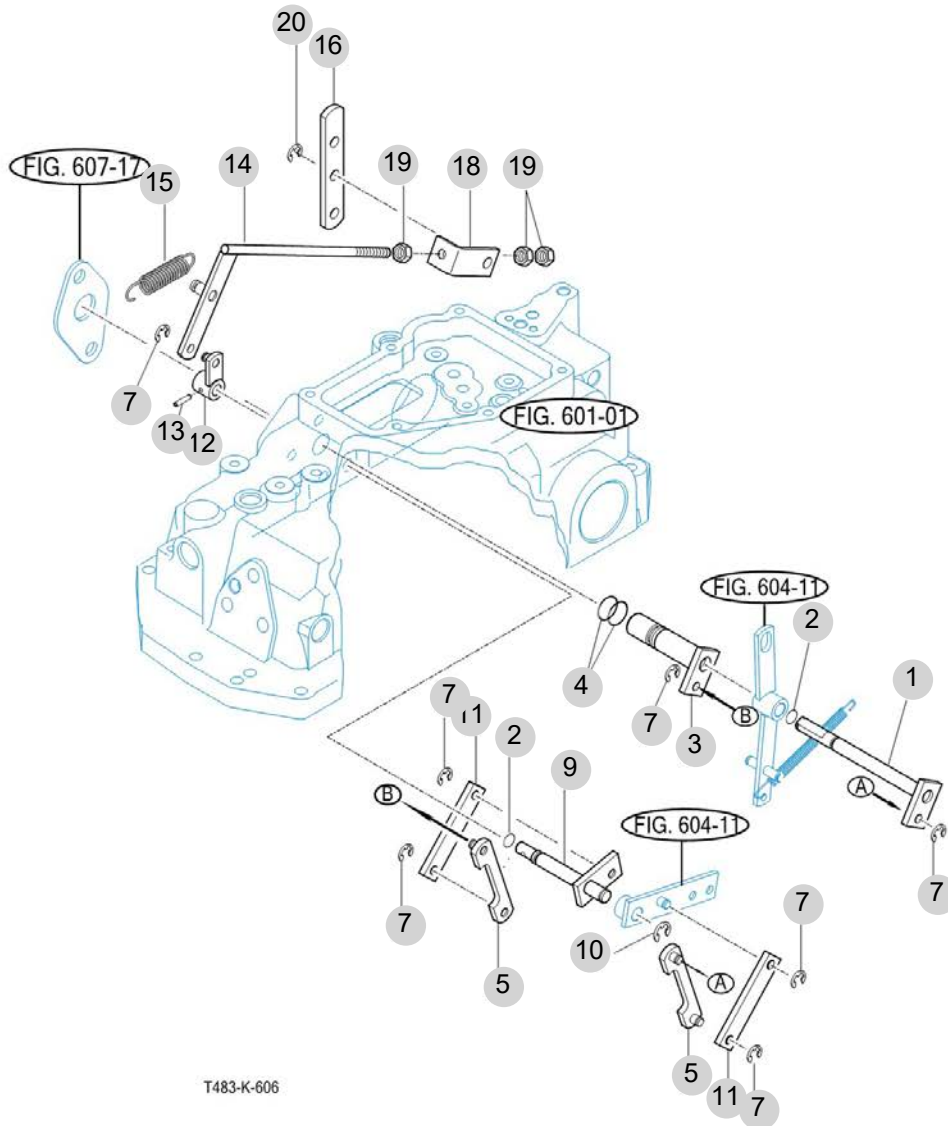
FIG 606

T555STGBC

DRAFT LINK

년/월
Year/Month

2022-12



NOTE

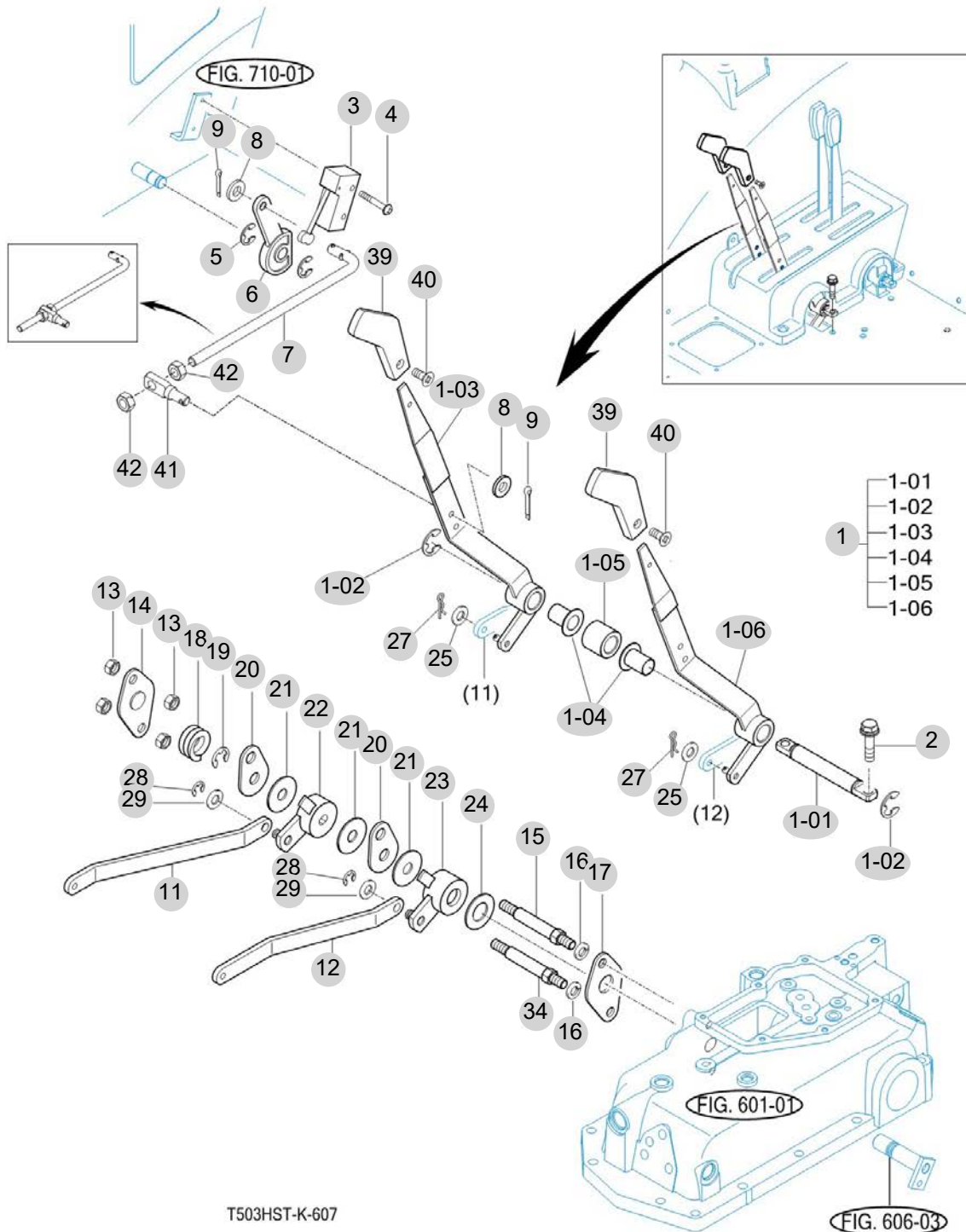
FIG 607

POSITION & DRAFT LEVER

년/월
Year/Month

2022-12

T555STGBC



T503HST-K-607

NOTE

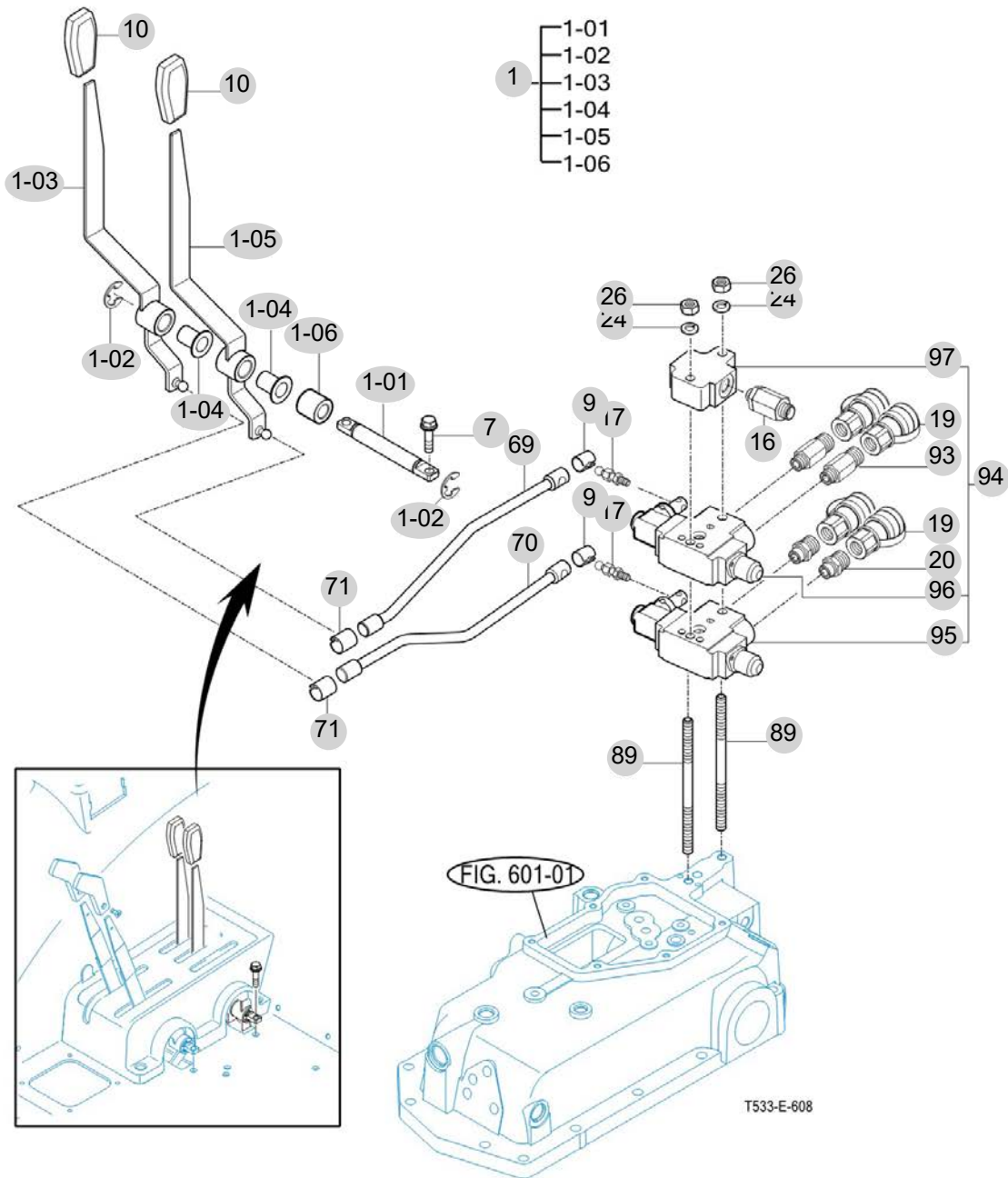
FIG 608

EXTERIOR HYD.VALVE

년/월
Year/Month

2022-12

T555STGBC



NOTE

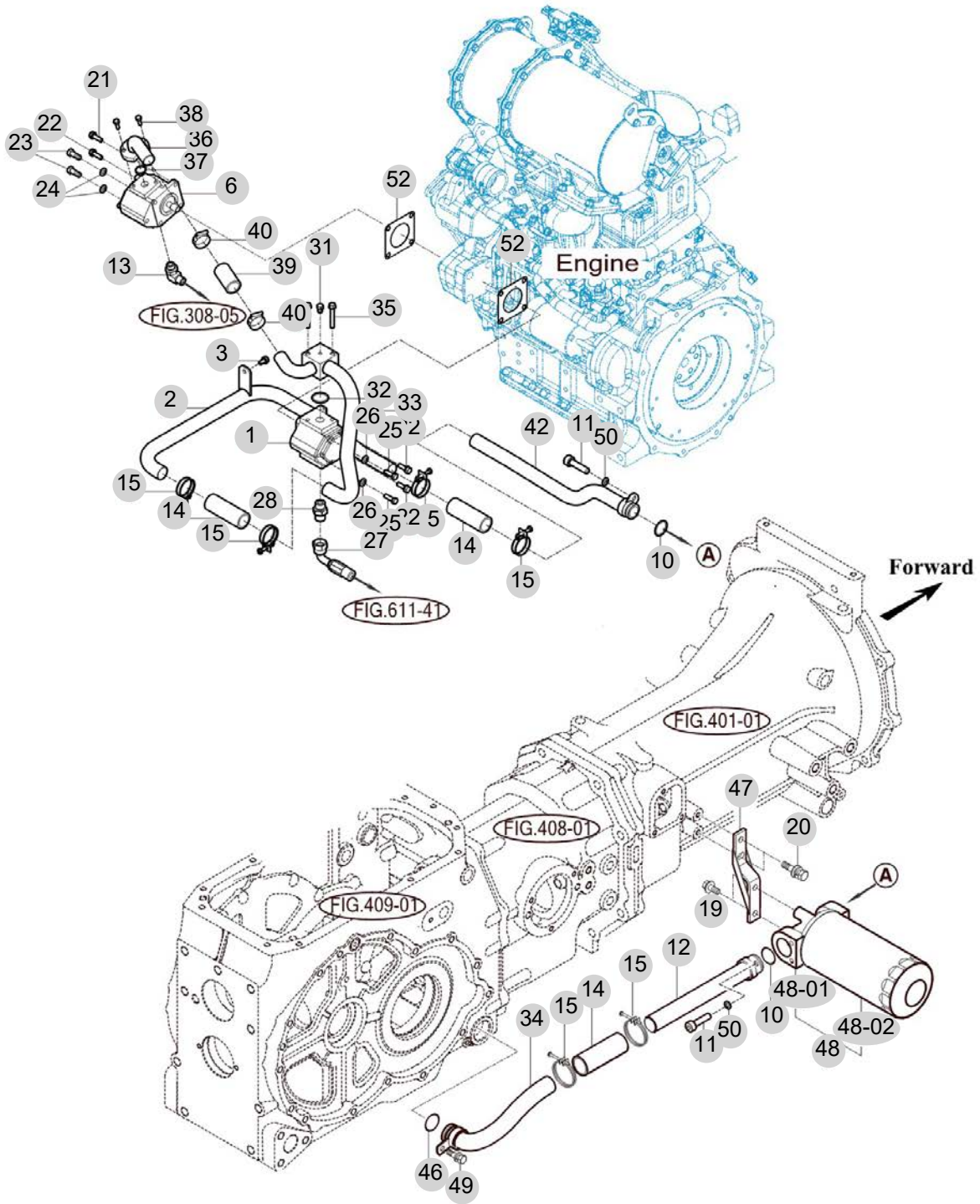
FIG 609

HYDRAULIC PIPE

년/월
Year/Month

2022-12

T555STGBC



NOTE

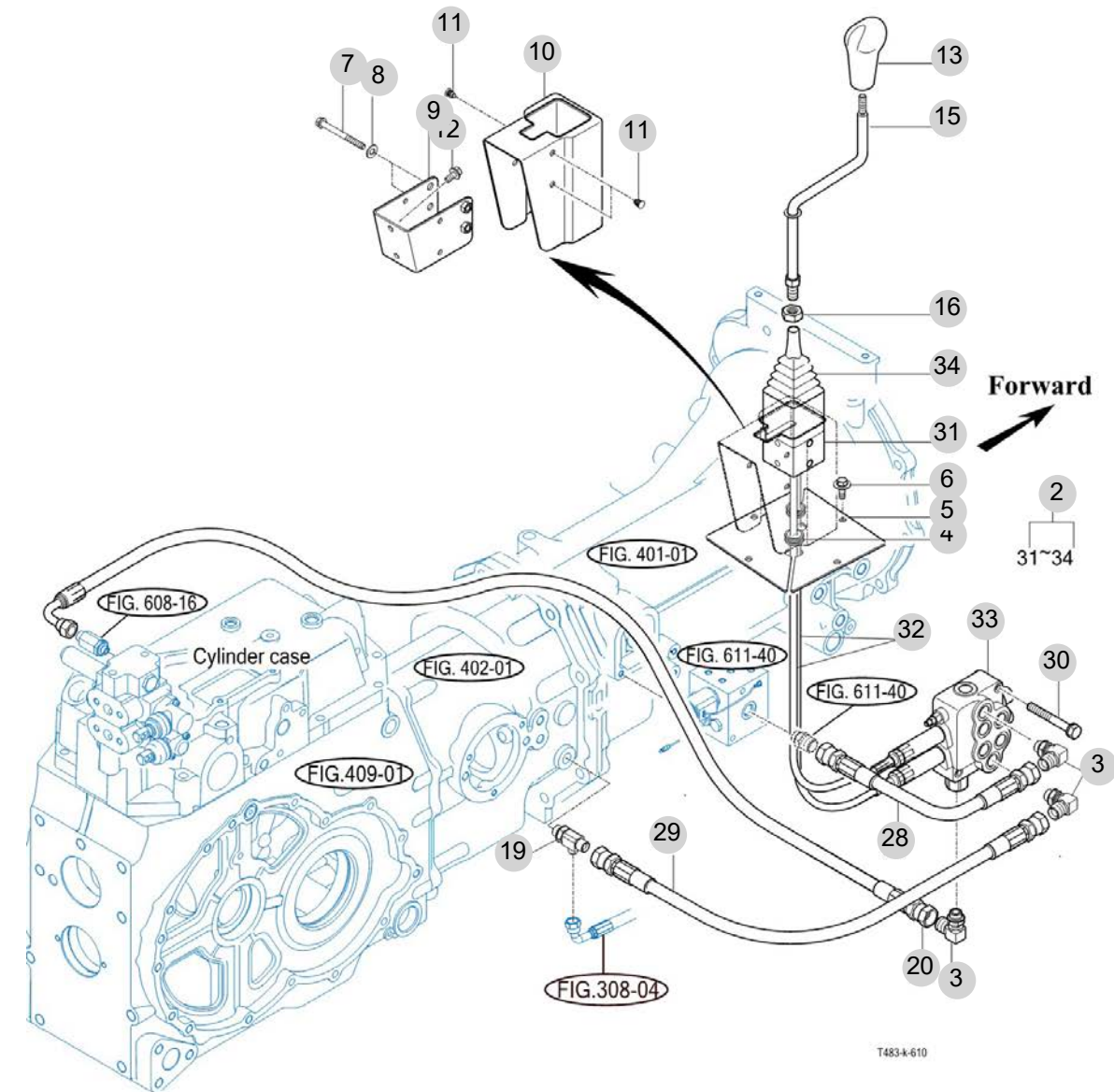
FIG 609 T555STGBC		HYDRAULIC PIPE					년/월 Year/Month	
							2022-12	
KEY NO	PART NO	DESCRIPTION	SPEC	QTY	REPAIR	EFFECTIVE DATE	REMARKS	
609	1	15115100001	기어펌프(MAIN)ASSY			1		
609	2	17465152201GB	흡입 파이프 COMP (FR/RR)			1		
609	2	17465152202GB	흡입 파이프 COMP (FR/RR)			1		
609	3	V2173608016	소형육각볼트보통(S)			1		
609	6	15115200000	기어펌프(PS)ASSY			1		
609	10	V7211031030	O링(G)			2		
609	11	V2205408016	육각홀트	M8X16		2		
609	12	14525153401	파이프(석션/F)COMP			1		
609	12	14525153401PC	파이프(석션/F)COMP			1		
609	12	14525153401	파이프(석션/F)COMP			1		
609	13	36313530021	어댑터(고압)			1		
609	14	15605150031	호스(100)			3		
609	15	18027090400	밴드 클램프 40 홀식	D=40		6		
609	19	V2183610025	소형육각볼트보통(SP)	M10X25		2		
609	20	V2183608020	소형육각볼트보통(SP)	M8X20		2		
609	21	V2173608040	소형육각볼트보통(S)	M8X40		1		
609	22	V2173608025	소형육각볼트보통(S)	M8X25		3		
609	23	V2013608110	소형육각볼트(보통)	M8X110		2		
609	24	V4011600080	스프링와셔	M8		2		
609	25	V2013608110	소형육각볼트(보통)	M8X110		2		
609	26	V4011600080	스프링와셔	M8		2		
609	27	14525152331	유압호스(1560)ASSY			1		
609	28	16582630620	콘넥터(PF1/2)			1		
609	31	13267060022	드레인플러그			1		
609	32	V7211031030	O링(G)			1		
609	33	17465153301GB	흡입 파이프 COMP (앞)			1		
609	33	17465153302GB	흡입 파이프 COMP (앞)			1		
609	33	17465153303GB	흡입 파이프 COMP (앞)			1		
609	34	14525162402PC	파이프(석션/RR)COMP			1		
609	34	14525162403	파이프(석션/RR)COMP			1		
609	35	V2173608055	소형육각볼트보통(S)	M8X55		2		
609	36	15155152901GB	파이프(석션/P)COMP			1		
609	37	V7201024018	O링(P)	P18		1		
609	38	V2113606020	육각볼트(S)	M6X20		2		
609	39	19955100010	호스(26X34X60)			1		
609	40	18027090400	밴드 클램프 40 홀식			2		
609	42	14525152101	파이프(석션/R/IN)COMP			1		
609	42	14525152102	파이프 COMP , 석션/R/IN			1		
609	42	14525152102PC	파이프 COMP , 석션/R/IN			1		
609	42	14525152103	파이프 COMP , 석션/R/IN			1		
609	46	V7211031030	O링(G)	G30		1		
609	47	14525150000GB	브래킷(오일필터)			1		
609	47	14525150000	브래킷(오일필터)			1		
609	47	14525150001	브래킷(오일필터)			1		
609	48	17975152010	필터헤드			1		
NOTE								

FIG 610

JOYSTICK

년/월
Year/Month

2022-12



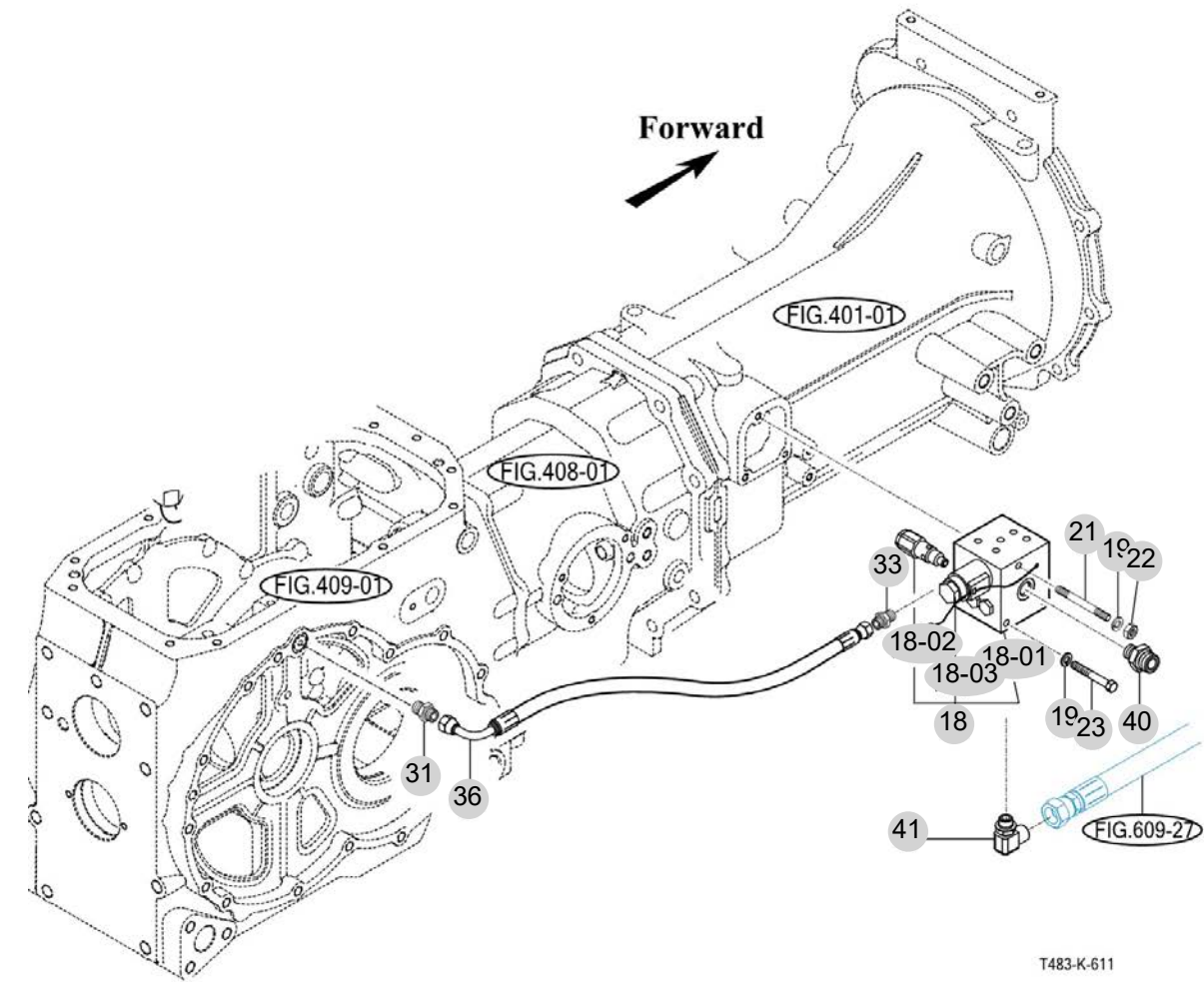
NOTE

FIG 611

HYDRAULIC HOSE

년/월
Year/Month

2022-12



T483-K-611

NOTE

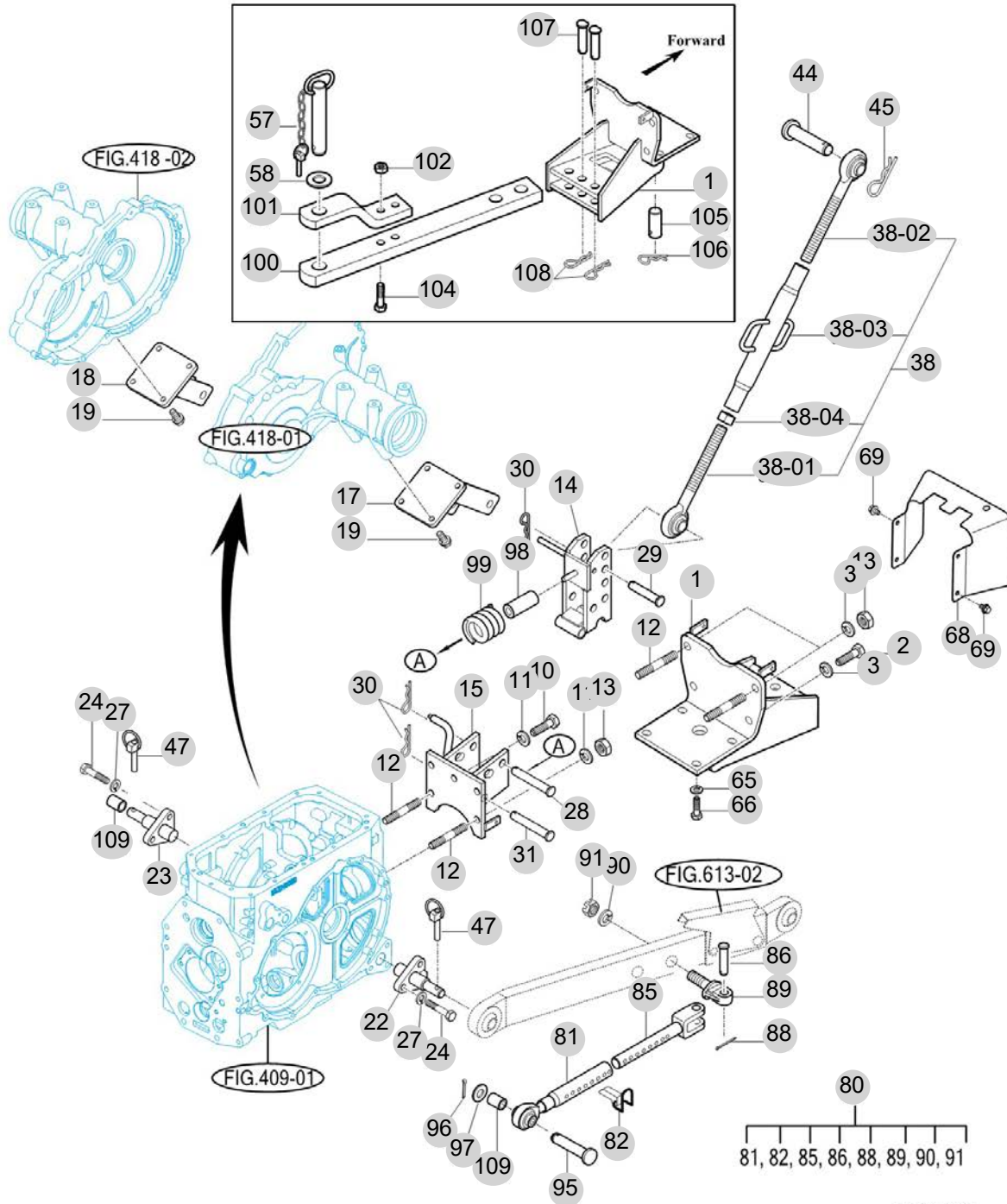
FIG 612

HITCH & 3-POINT LINK

년/월
Year/Month

2022-12

T555STGBC



T553-E-612

NOTE

FIG 612		HITCH & 3-POINT LINK					년/월	
							Year/Month	
T555STGBC		2022-12						
KEY NO	PART NO	DESCRIPTION	SPEC	QTY	REPAIR	EFFECTIVE DATE	REMARKS	
612	1	15175202001GB	브래킷COMP, 스윙 드로바		1			
612	1	15175202002GB	브래킷COMP, 스윙 드로바		1			
612	1	15175202003GB	브래킷COMP, 스윙 드로바		1			
612	2	V2013616035	소형육각볼트(보통)	M16X35	2			
612	3	V4011600160	스프링와셔	M16	4			
612	10	V2013616035	소형육각볼트(보통)	M16X35	3			
612	11	V4011600160	스프링와셔	M16	5			
612	12	V2513416035	스터드볼트2종	M16X35	4			
612	13	V3043600160	소형육각너트보통2종	M16	4			
612	14	16735222102GB	링크 COMP		1			
612	15	15185222000GB	브래킷 COMP		1			
612	17	14525254100GB	브래킷(후)COMP		1			
612	18	14525254100GB	브래킷(후)COMP		1			
612	19	V2173612030	소형육각볼트보통(S)	M12X30	8			
612	22	15685252204	핀(L) COMP		1			
612	23	15685252801	핀(R) COMP		1			
612	24	V2013614040	소형육각볼트(보통)	M14X40	6			
612	27	V4011600140	스프링와셔	M14	6			
612	28	15645250010	핀(19X122)		1			
612	29	15645220020	핀(19X95)		1			
612	30	14445140051	헤어핀(19)		3			
612	31	15645250010	핀(19X122)		1			
612	38	16505245501GB	톱링크ASSY		1			
612	38	16505245502GB	톱링크 ASSY		1			
612	38-01	16505245510	톱링크COMP(RH)		1			
612	38-02	16505245520	톱링크COMP(LH)		1			
612	38-03	14555140251	턴버클 조합(톱링크)		1			
612	38-04	16505245530	육각너트		1			
612	44	15645220011	핀(19X86)		1			
612	45	14445140051	헤어핀(19)		1			
612	47	14215020020	링크핀		2			
612	57	S0973063031	핀ASSY		1			
612	58	15252470010	쿠션고무		1			
612	65	V4011600140	스프링와셔	M14	4			
612	66	V2013614035	소형육각볼트(보통)	M14X35	4			
612	68	13605200012GB	커버(씰드)		1			
612	69	V2183608016	소형육각볼트보통(SP)		4			
612	80	15155253000GB	조정링크(완)ASSY		2			
612	81	15155253100	로드 SUB, FR		2			
612	82	17705254200	린치핀		2			
612	85	15155253300	로드 SUB, RR		2			
612	86	15155253400	핀, ø20X59		2			
612	88	V5001940035	분할핀	4.0X35	2			
612	89	15155253500	아이볼트		2			
612	90	V4111600220	평와셔	M22	2			
NOTE								

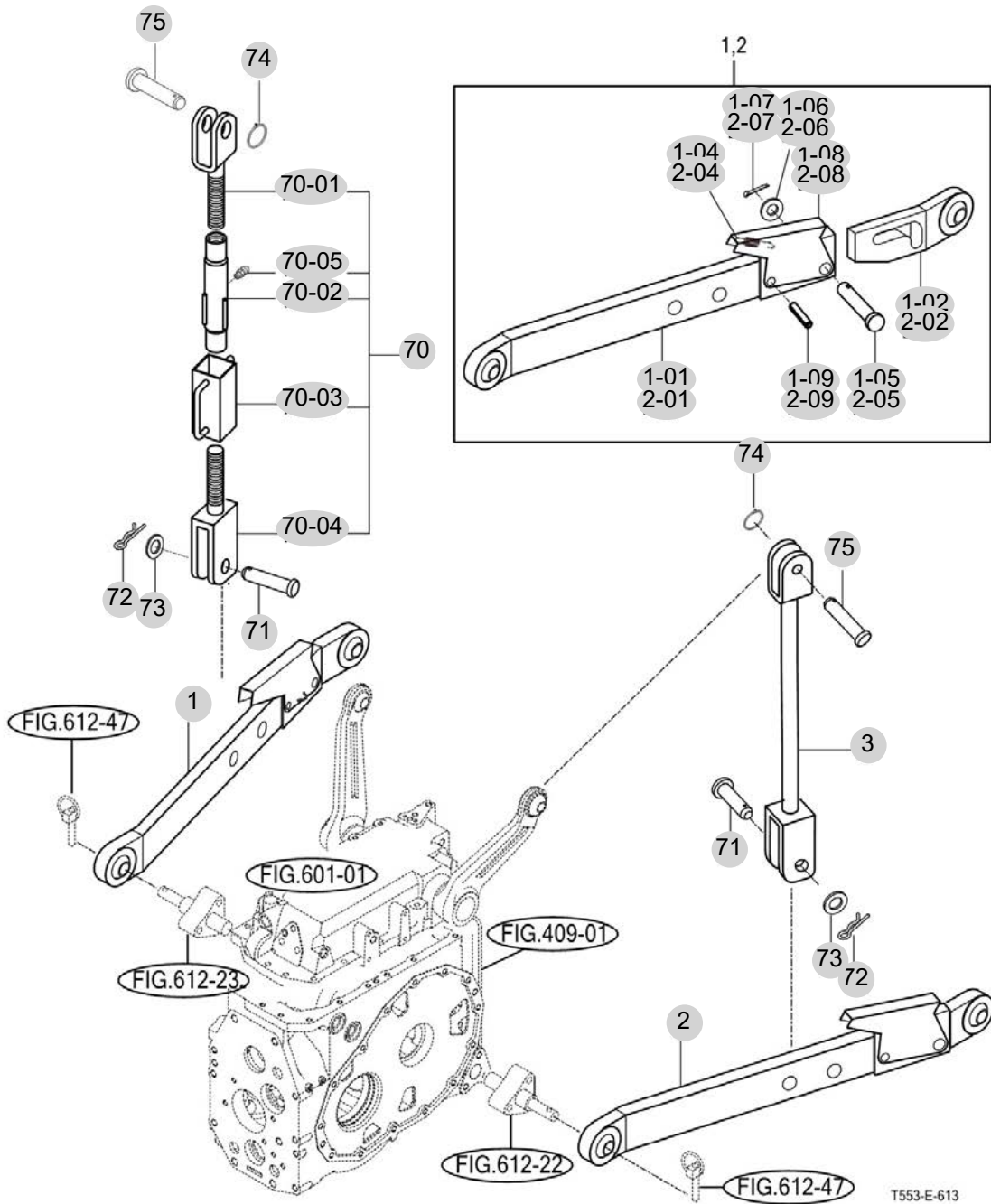
FIG 613

HITCH & 3-POINT LINK

년/월
Year/Month

2022-12

T555STGBC



NOTE

7. 시트메탈/캐빈 PART NO. T7

FIG 701 HOOD (1)	175
FIG 702 HOOD (2)	177
FIG 704A LEVER COVER & STEP	179
FIG 705 FRONT & REAR MOUNTING	181
FIG 706 SEAT & MAT	183
FIG 709 DOOR	185
FIG 710A FRONT GLASS	188
FIG 711 SIDE GLASS	190
FIG 712 REAR GLASS	192
FIG 713A SUB FENDER & COVER	194
FIG 714A MIRROR	196
FIG 715A HEATER & AIR-CON	198
FIG 715B HEATER & AIR-CON	200
FIG 716 FENDER COVER	202
FIG 717 ROOF	204
FIG 718 CABIN INTERIOR	206

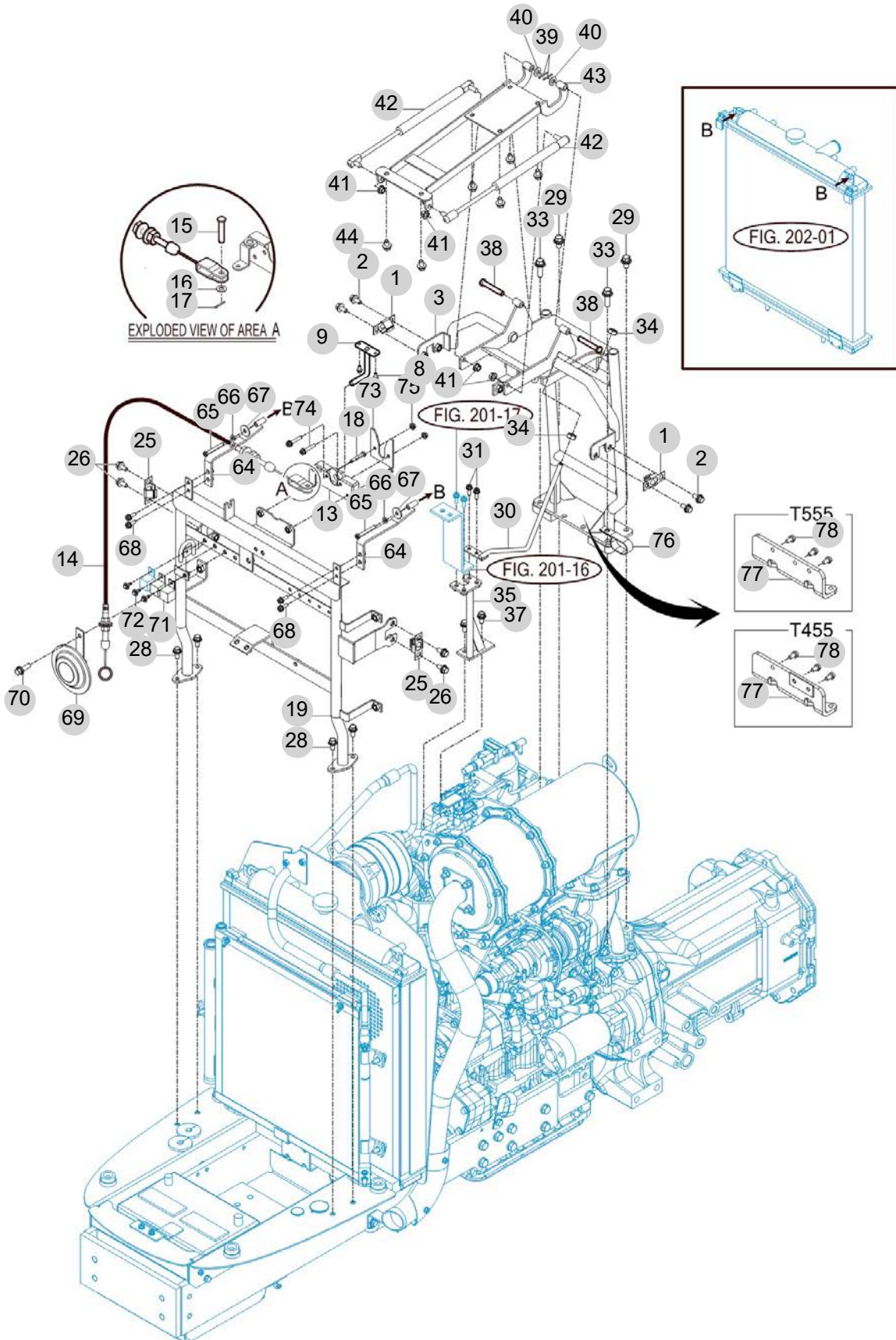
FIG 701

T555STGBC

HOOD (1)

년/월
Year/Month

2022-12



NOTE

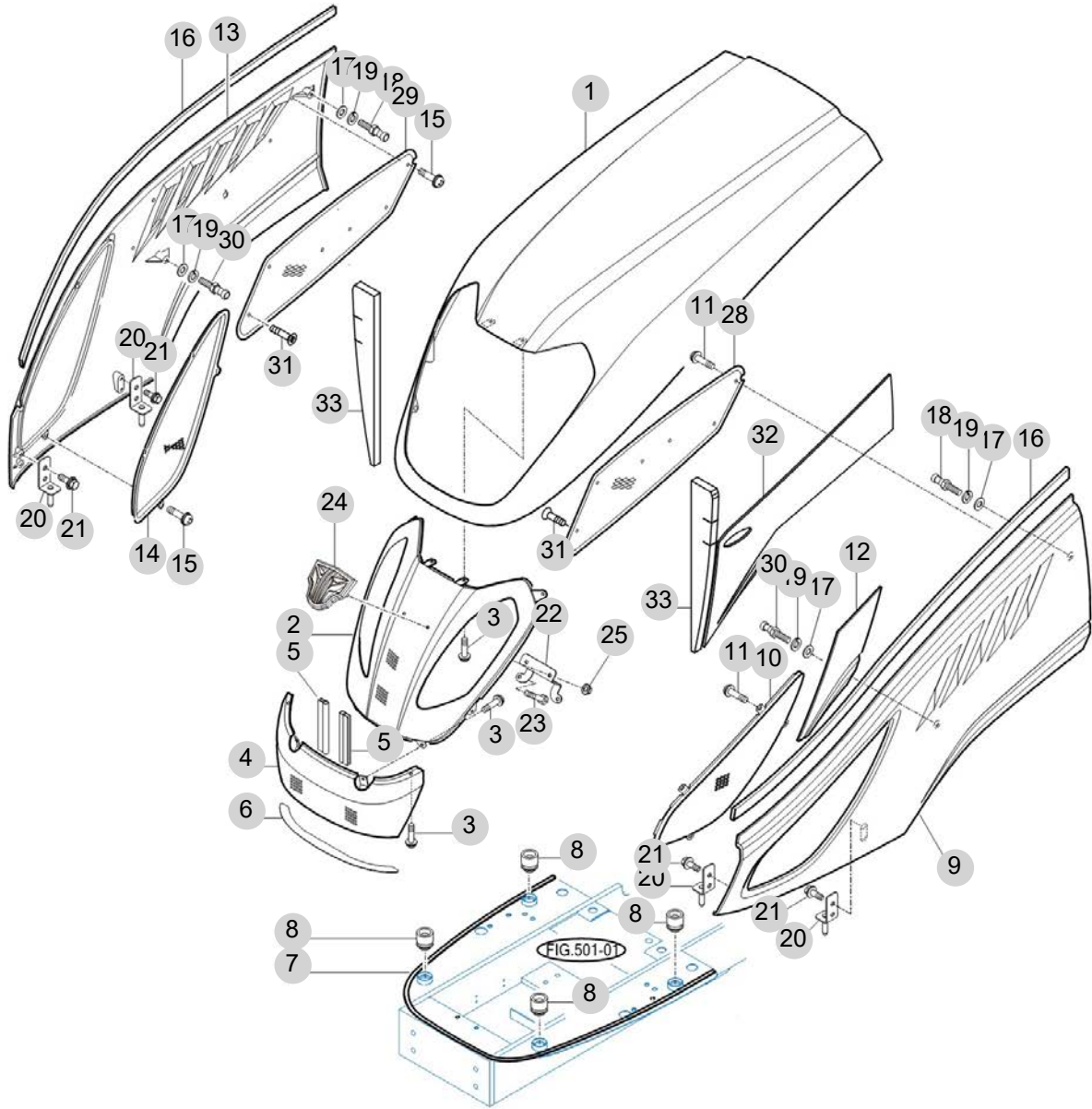
FIG 702

T555STGBC

HOOD (2)

년/월
Year/Month

2022-12



T554/454-E-702

NOTE

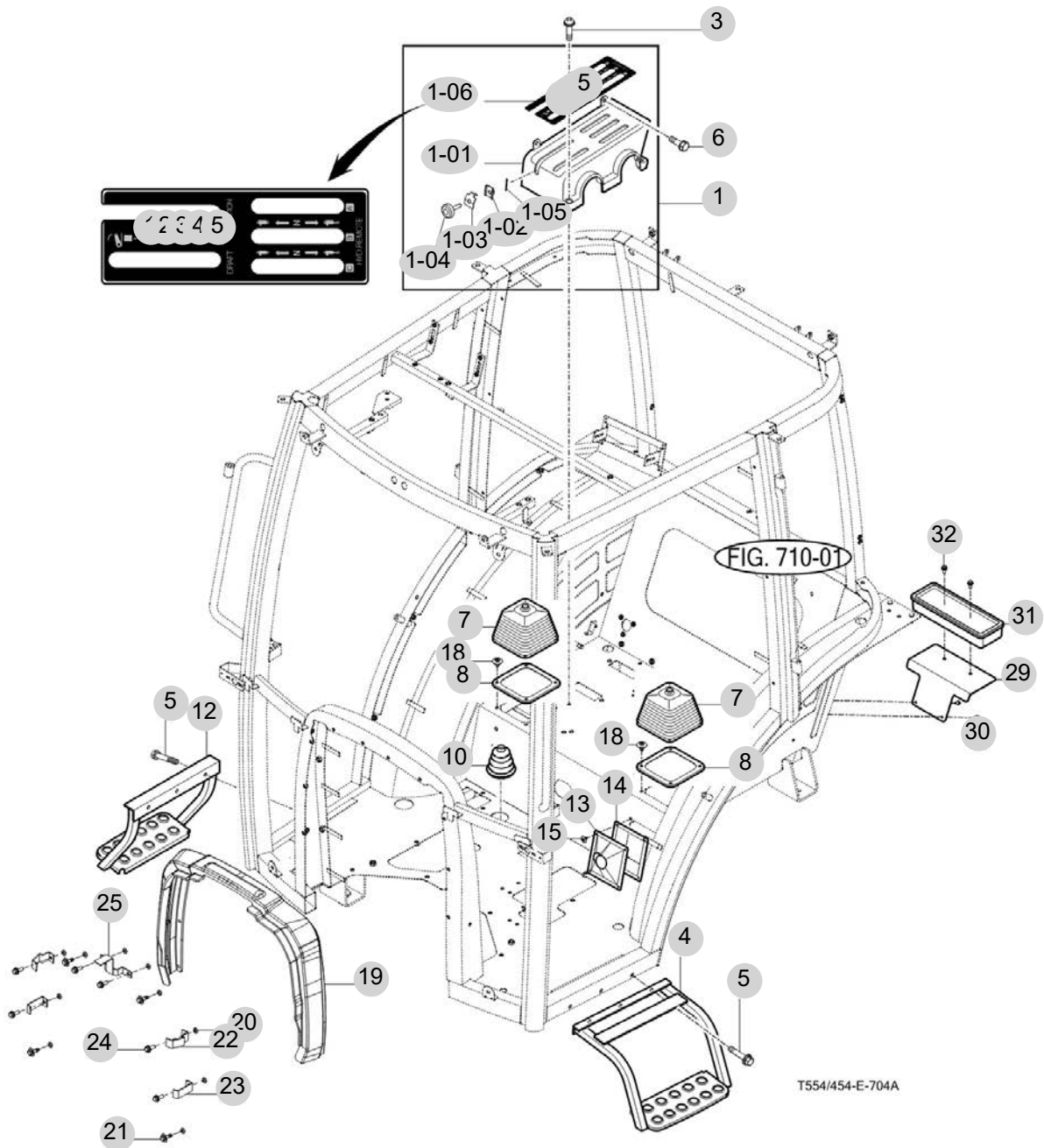
FIG 704A

T555STGBC

LEVER COVER & STEP

년/월
Year/Month

2022-12



T554/454-E-704A

NOTE

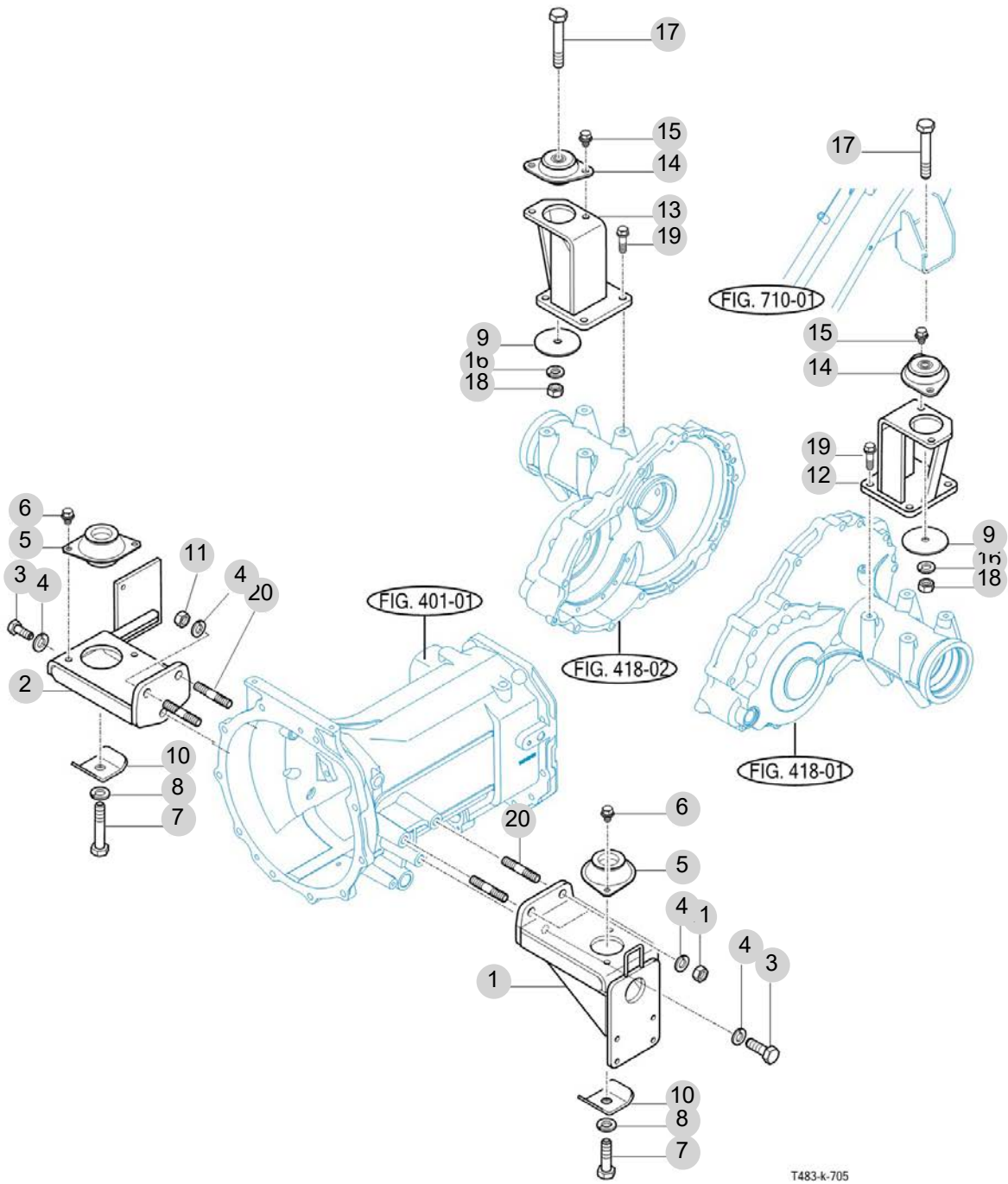
FIG 705

T555STGBC

FRONT & REAR MOUNTING

년/월
Year/Month

2022-12



T483-k-705

NOTE

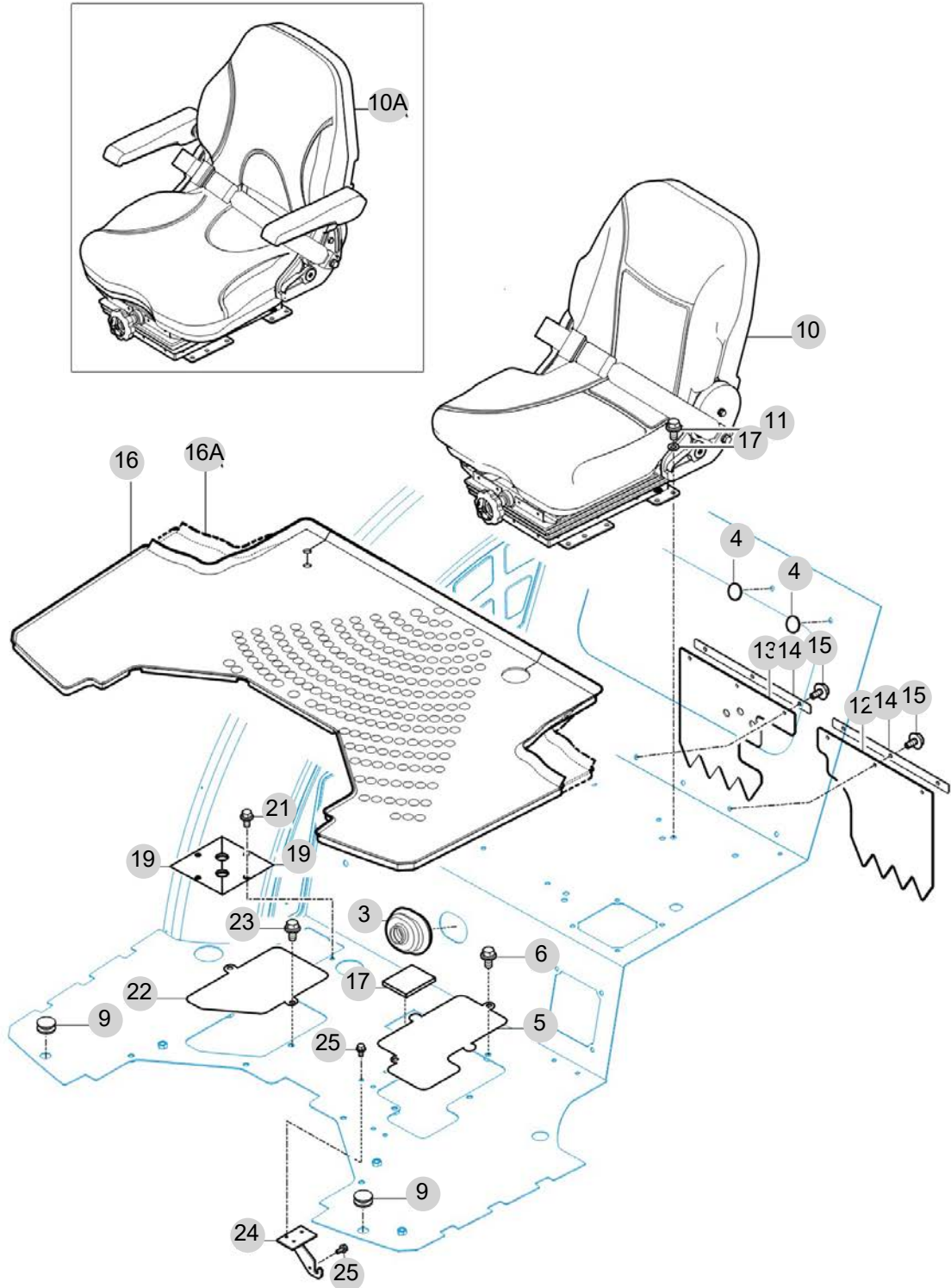
FIG 706

SEAT & MAT

년/월
Year/Month

2022-12

T555STGBC



NOTE

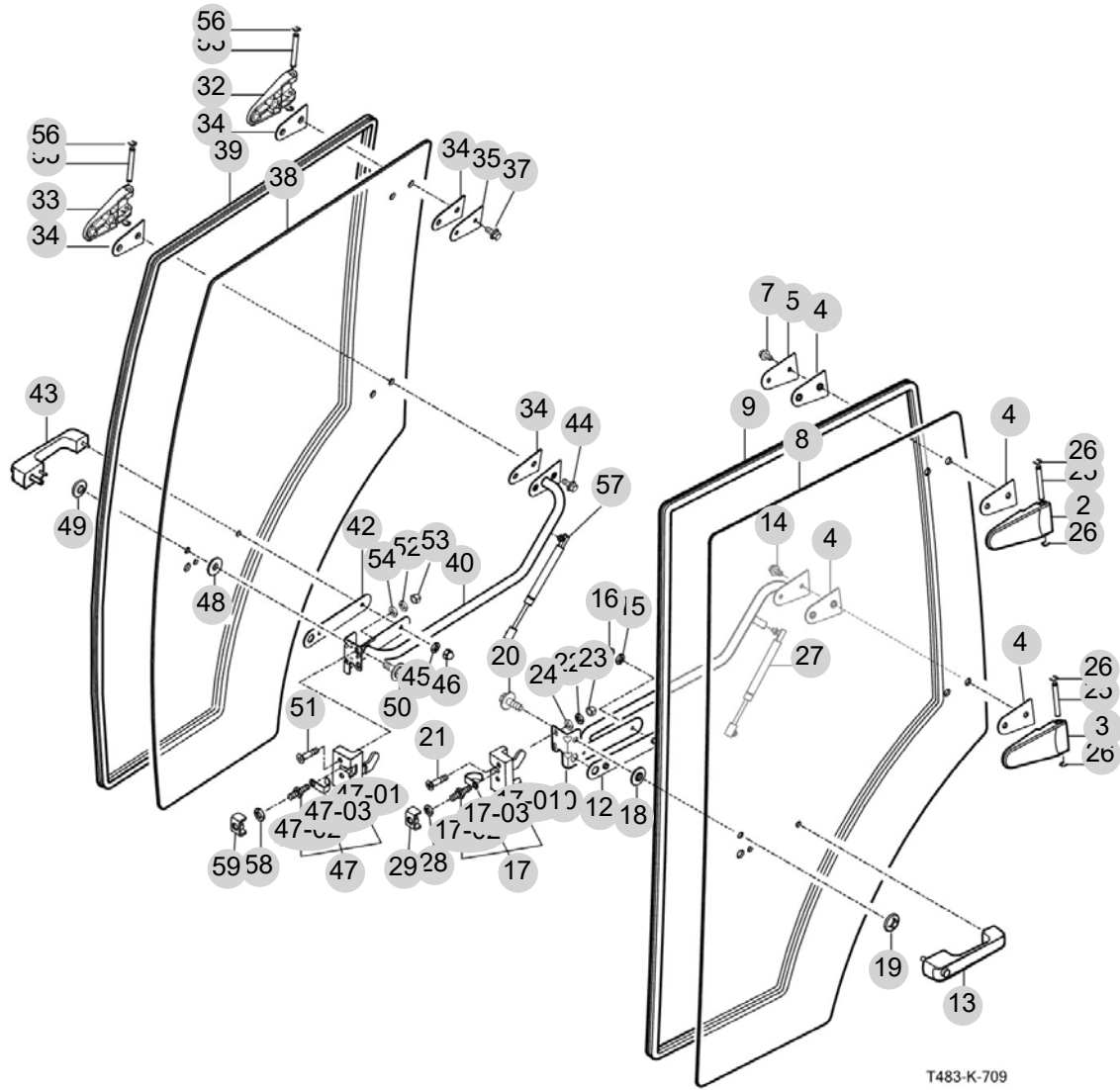
FIG 709

DOOR

년/월
Year/Month

2022-12

T555STGBC



NOTE

FIG 709 T555STGBC		DOOR					년/월 Year/Month	
							2022-12	
KEY NO	PART NO	DESCRIPTION	SPEC	QTY	REPAIR	EFFECTIVE DATE	REMARKS	
709	2	14527052300	도어힌지조합, 상/LH		1			
709	3	14527052400	도어힌지조합, 상/RH		1			
709	4	14527052110	개스킷, 도어힌지		4			
709	5	14527052120GB	플레이터,도어힌지		1			
709	7	V2183608020	소형육각볼트보통(SP)	M8X20	2			
709	8	14527052131	그라스, 도어/LH	6t	1			
709	9	14527052140	인슐레이터 / 도어		1			
709	10	14527052500GB	가이드 조합/LH/도어		1			
709	12	14527052150	개스킷, 도어손잡이		1			
709	13	14527052600	잠금장치 손잡이ASSY		1			
709	14	V2183608020	소형육각볼트보통(SP)	M8X20	2			
709	15	V4011600060	스프링와셔	M6	2			
709	16	V3402700060	육각캡너트	M6	2			
709	17	14527052700	록크SET,LH/도어		1			
709	17-01	14527052710	록ASSY,LH/도어		1			
709	17-02	14527052720	스트라이크		1			
709	17-03	14527052730	가이드		1			
709	18	15817401130	크로메트(13X17X02)		1			
709	19	14527042500	그라스너트조합		1			
709	20	V2193606012	육각볼트(SPL)	M6X12	1			
709	21	V1122608040	심자흡점시작은나사	M8X40	2			
709	22	V4011600080	스프링와셔	M8	2			
709	23	V3412700080	소형육각캡너트	M8	2			
709	24	V4111600080	평와셔		2			
709	25	14527041110	핀, 도어힌지	D=8	2			
709	26	V7082400070	E형멈춤링(sus)	7	4			
709	27	14527301080	댐퍼(도어)ASSY_20kg	20KG	1			
709	28	V4011600100	스프링와셔	M10	1			
709	29	14527062500GB	브래킷 조합,도어록		1			
709	32	14527052300	도어힌지조합, 상/LH		1			
709	33	14527052400	도어힌지조합, 상/RH		1			
709	34	14527052110	개스킷, 도어힌지		4			
709	35	14527052120GB	플레이터,도어힌지		1			
709	37	V2183608020	소형육각볼트보통(SP)	M8X20	2			
709	38	14527053131	그라스, 도어/RH	6t	1			
709	39	14527052140	인슐레이터 / 도어		1			
709	40	14527053500GB	가이드 조합,RH/ 도어		1			
709	42	14527052150	개스킷, 도어손잡이		1			
709	43	14527052600	잠금장치 손잡이ASSY		1			
709	44	V2183608020	소형육각볼트보통(SP)	M8X20	2			
709	45	V4011600060	스프링와셔	M6	2			
709	46	V3402700060	육각캡너트	M6	2			
709	47	14527053700	록크SET,RH/도어		1			
709	47-01	14527053710	록크ASSY,RH/도어		1			
709	47-02	14527052720	스트라이크		1			
NOTE								

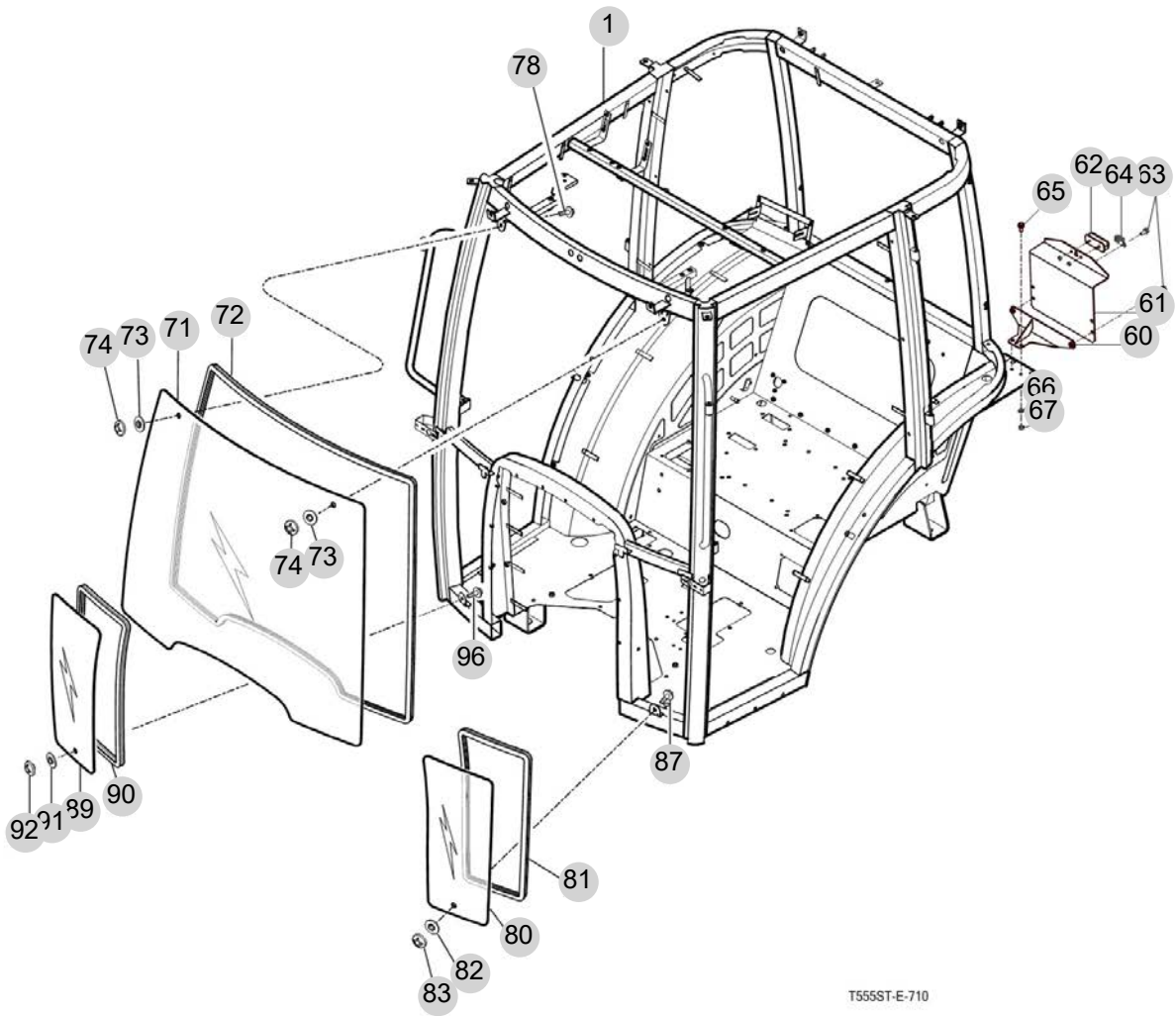
FIG 710A

T555STGBC

FRONT GLASS

년/월
Year/Month

2022-12



NOTE

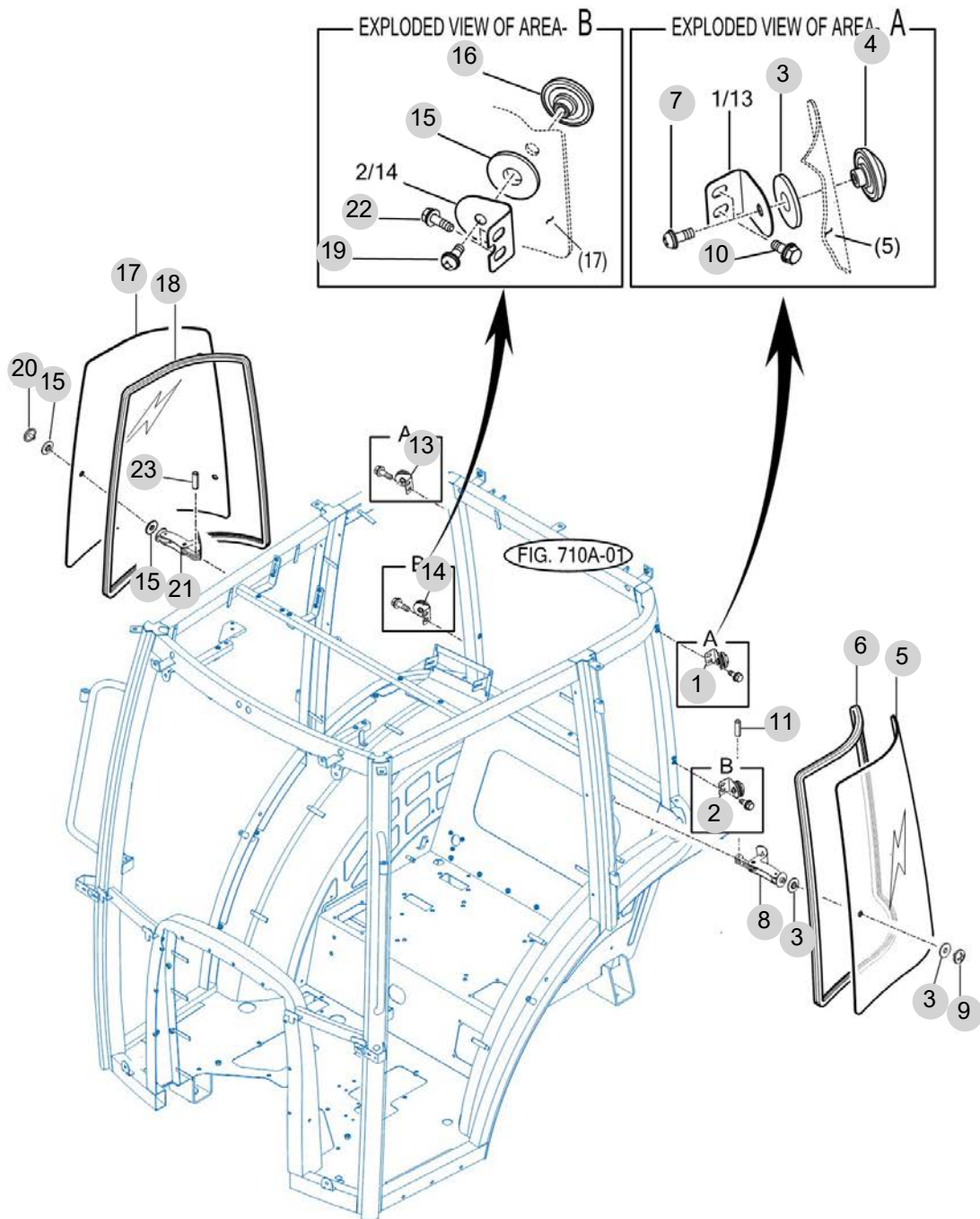
FIG 711

SIDE GLASS

년/월
Year/Month

2022-12

T555STGBC



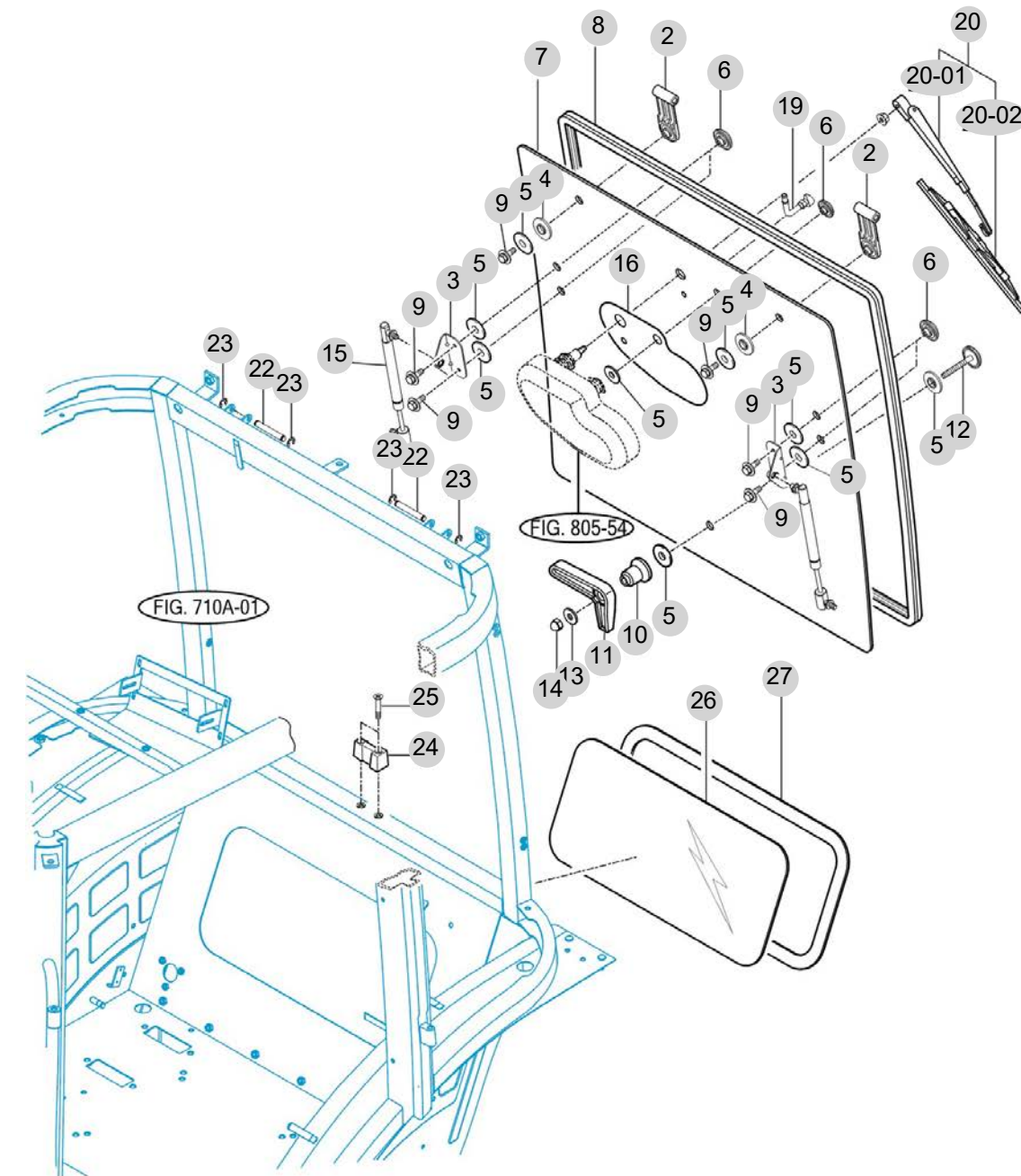
NOTE

FIG 712

REAR GLASS

년/월
Year/Month

2022-12



NOTE

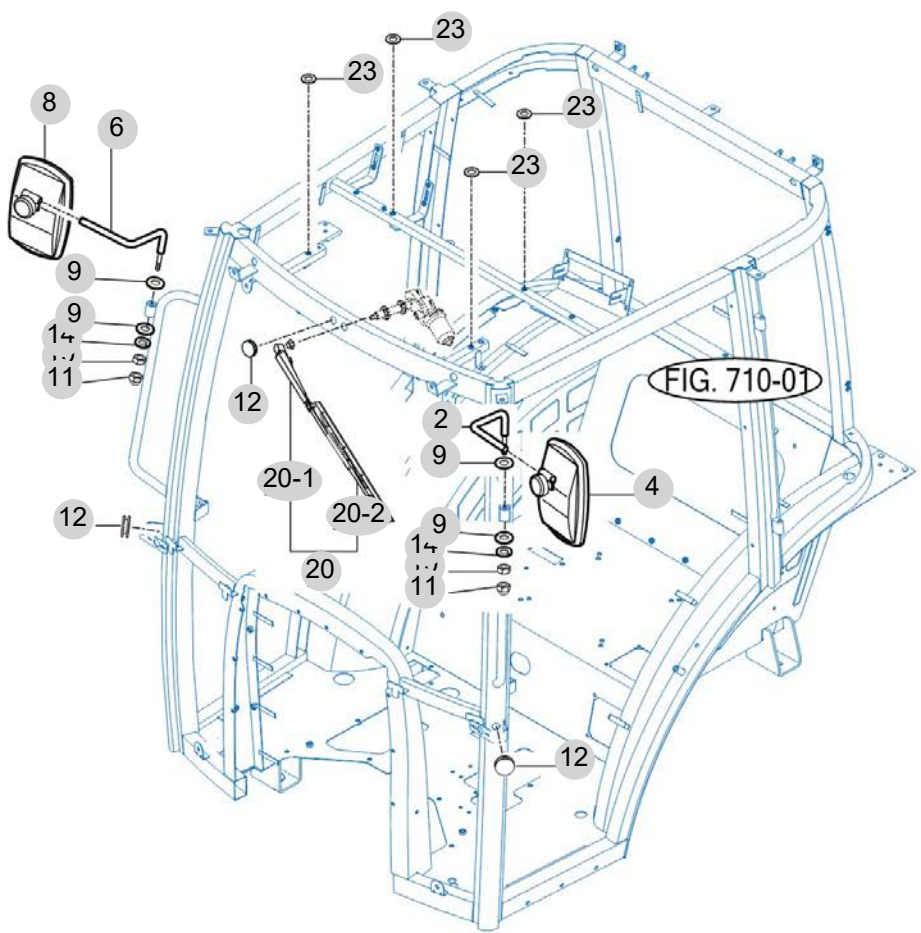
FIG 714A

T555STGBC

MIRROR

년/월
Year/Month

2022-12



NOTE

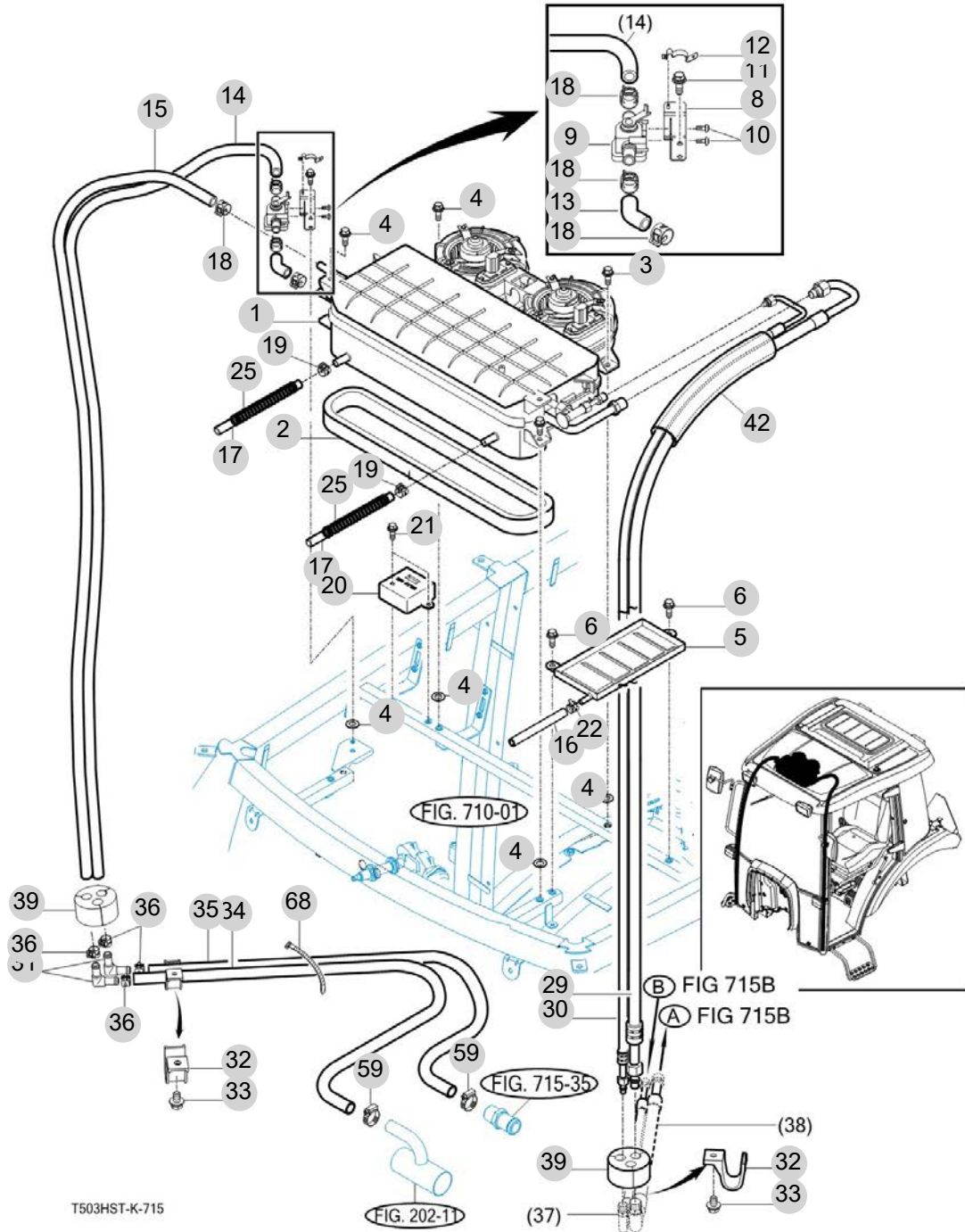
FIG 715A

T555STGBC

HEATER & AIR-CON

년/월
Year/Month

2022-12



NOTE

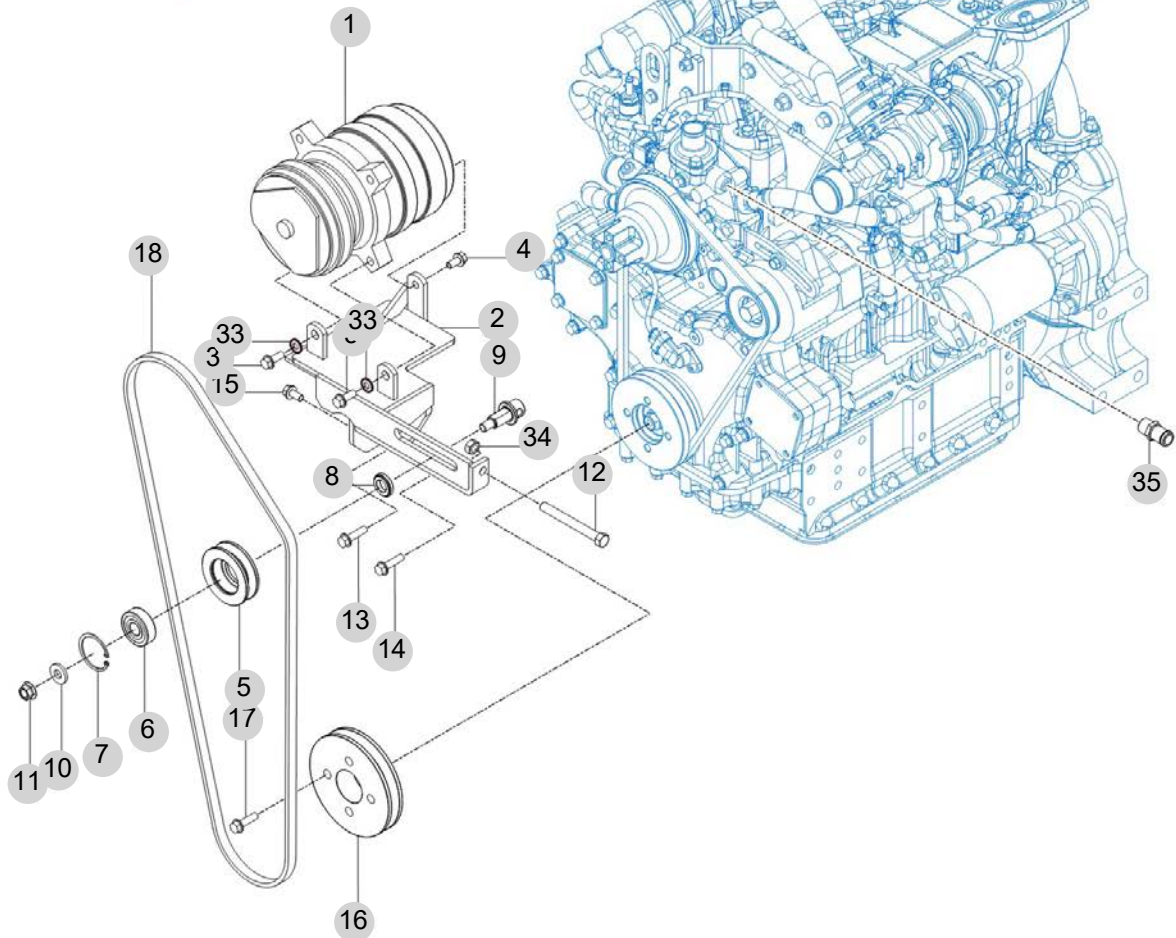
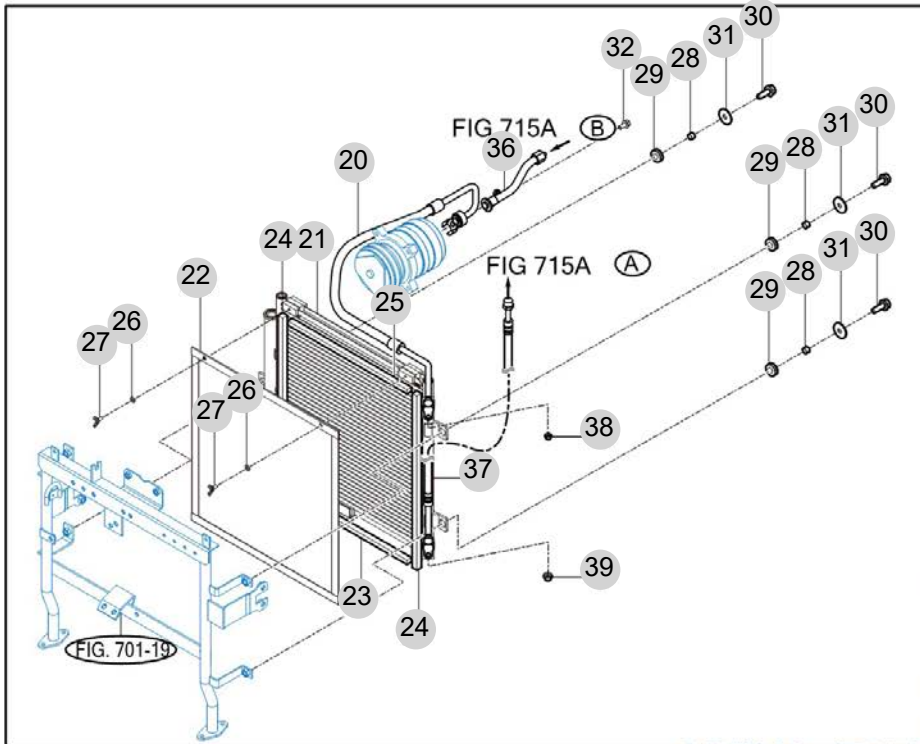
FIG 715B

T555STGBC

HEATER & AIR-CON

년/월
Year/Month

2022-12



NOTE

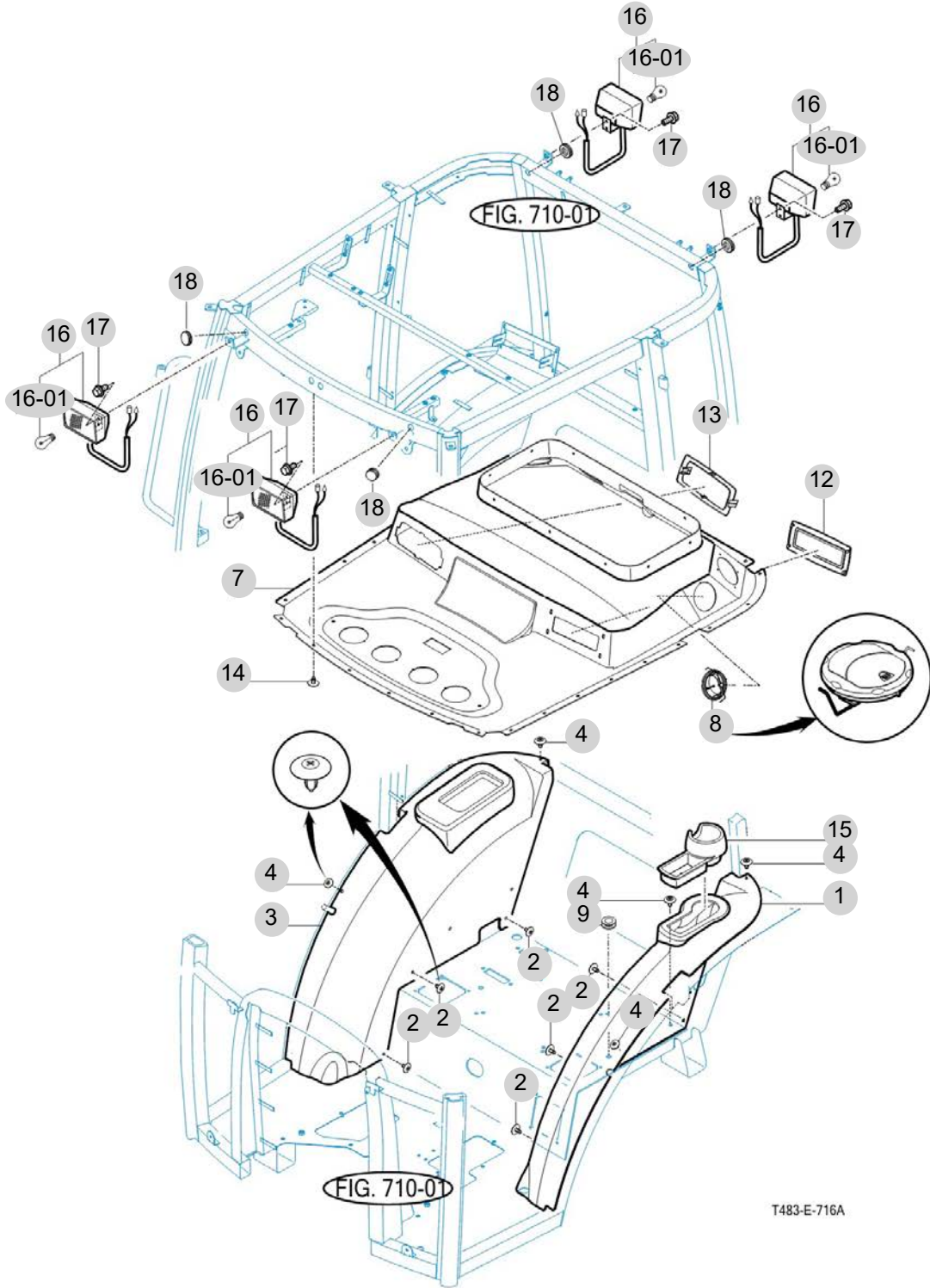
FIG 716

FENDER COVER

년/월
Year/Month

2022-12

T555STGBC



NOTE

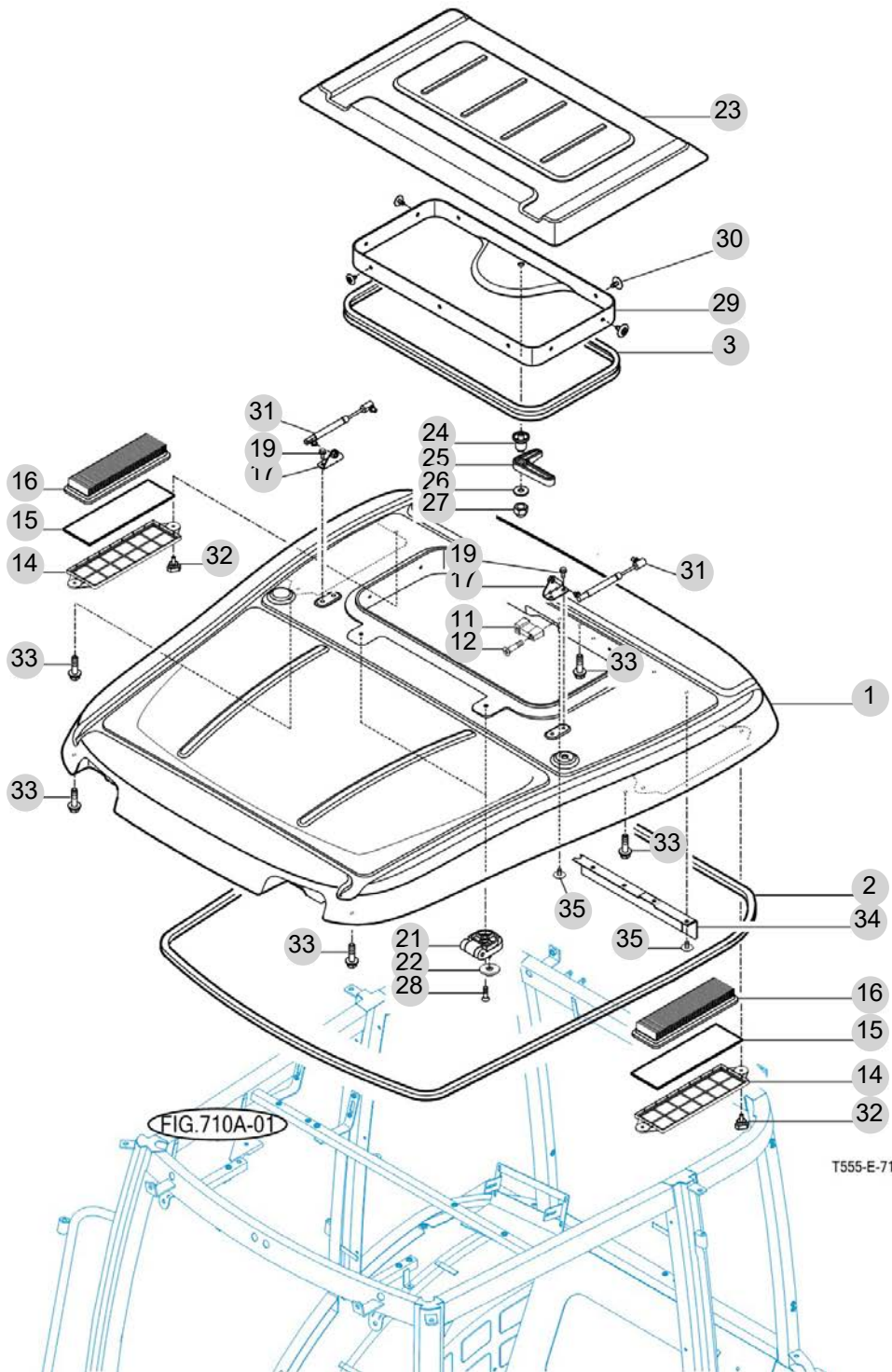
FIG 717

T555STGBC

ROOF

년/월
Year/Month

2022-12



NOTE

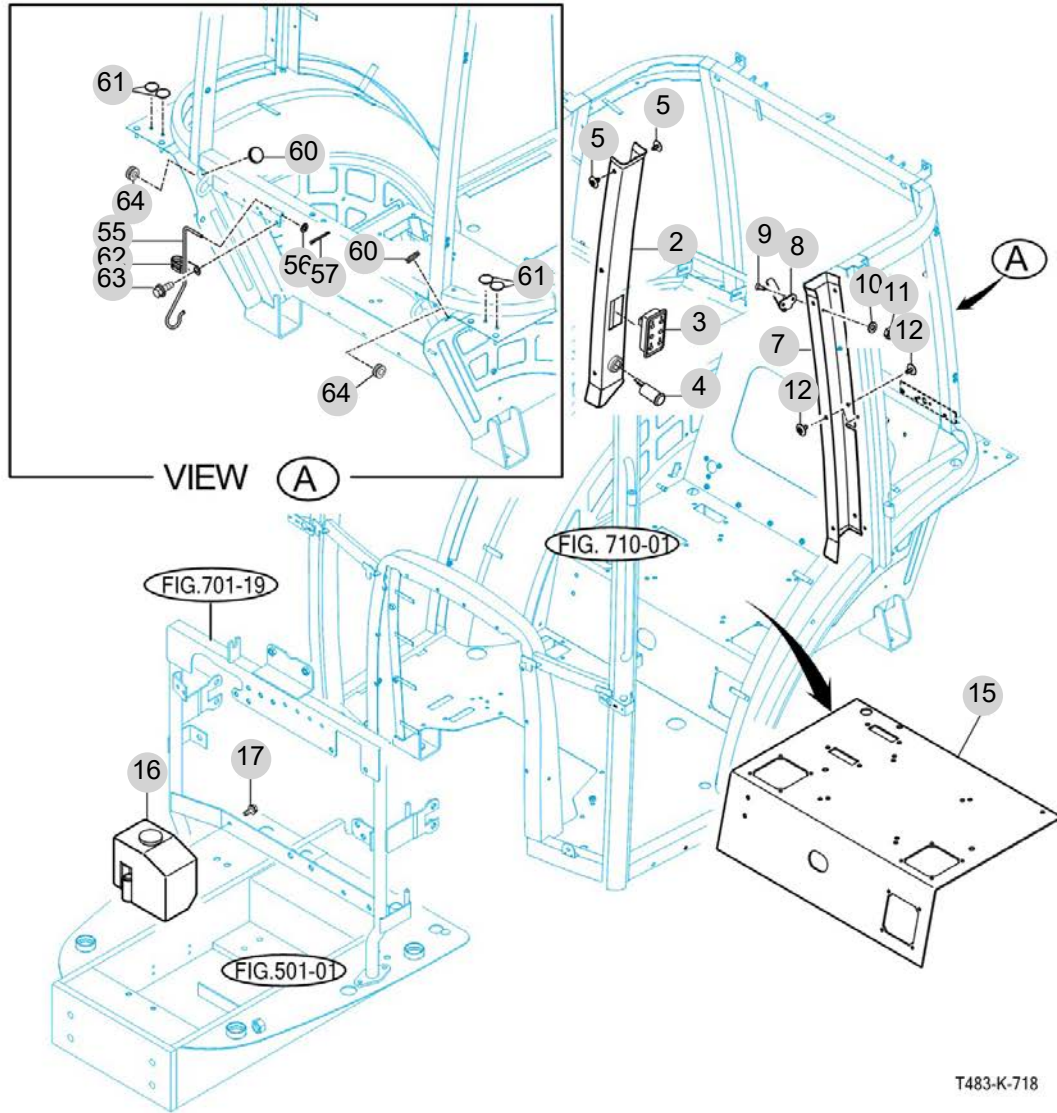
FIG 718

CABIN INTERIOR

년/월
Year/Month

2022-12

T555STGBC



T483-K-718

NOTE

8. 전장 PART NO. T8

FIG 801 BATTERY MOUNTING	209
FIG 802 LIGHT & BACK LAMP	211
FIG 803 INSTRUMENT PANEL	213
FIG 804 ELECTRIC SYSTEM (1)	215
FIG 805A ELECTRIC SYSTEM (2)	217
FIG 806 ELECTRIC SYSTEM (3)	219

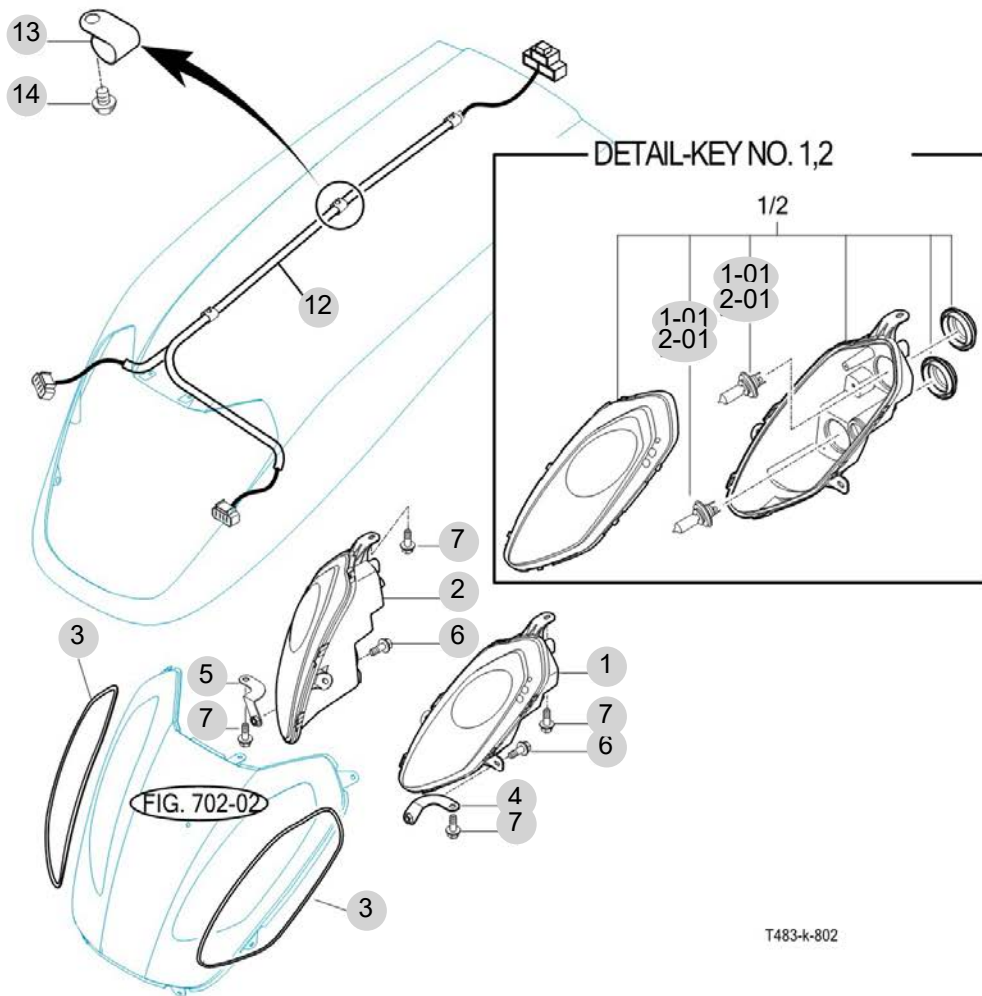
FIG 802

LIGHT & BACK LAMP

년/월
Year/Month

2022-12

T555STGBC



NOTE

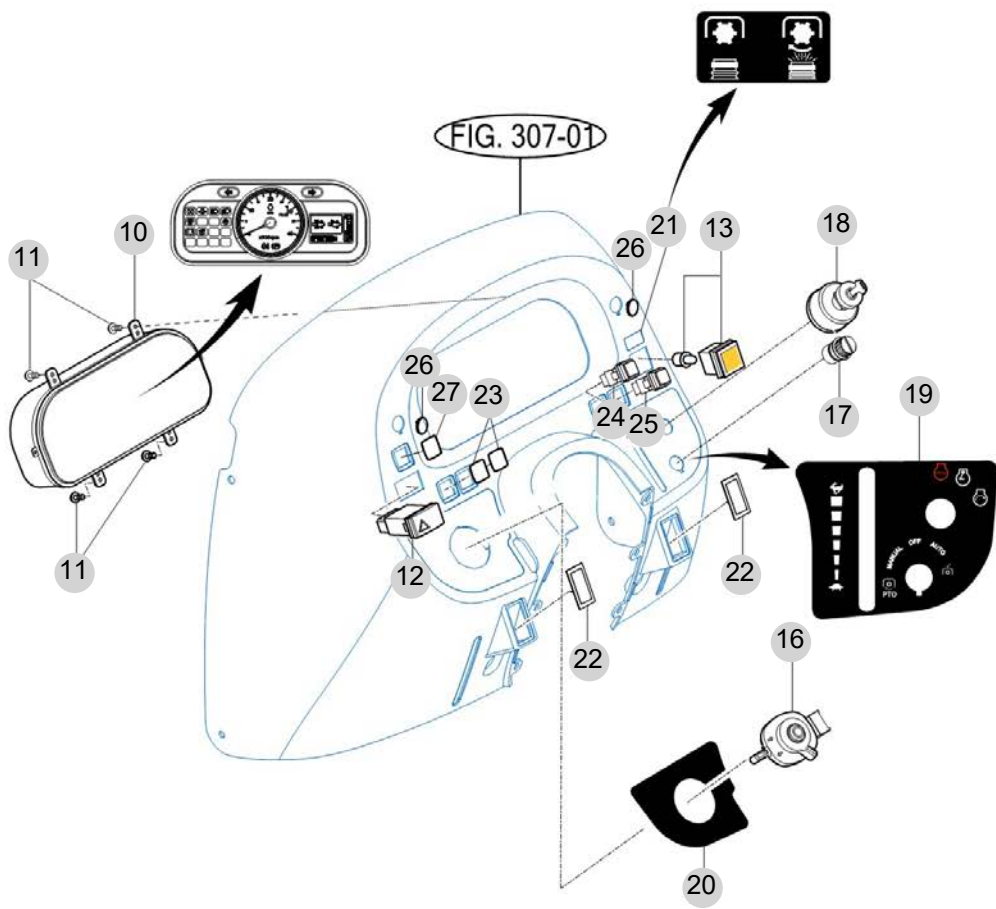
FIG 803

INSTRUMENT PANEL

년/월
Year/Month

2022-12

T555STGBC



NOTE

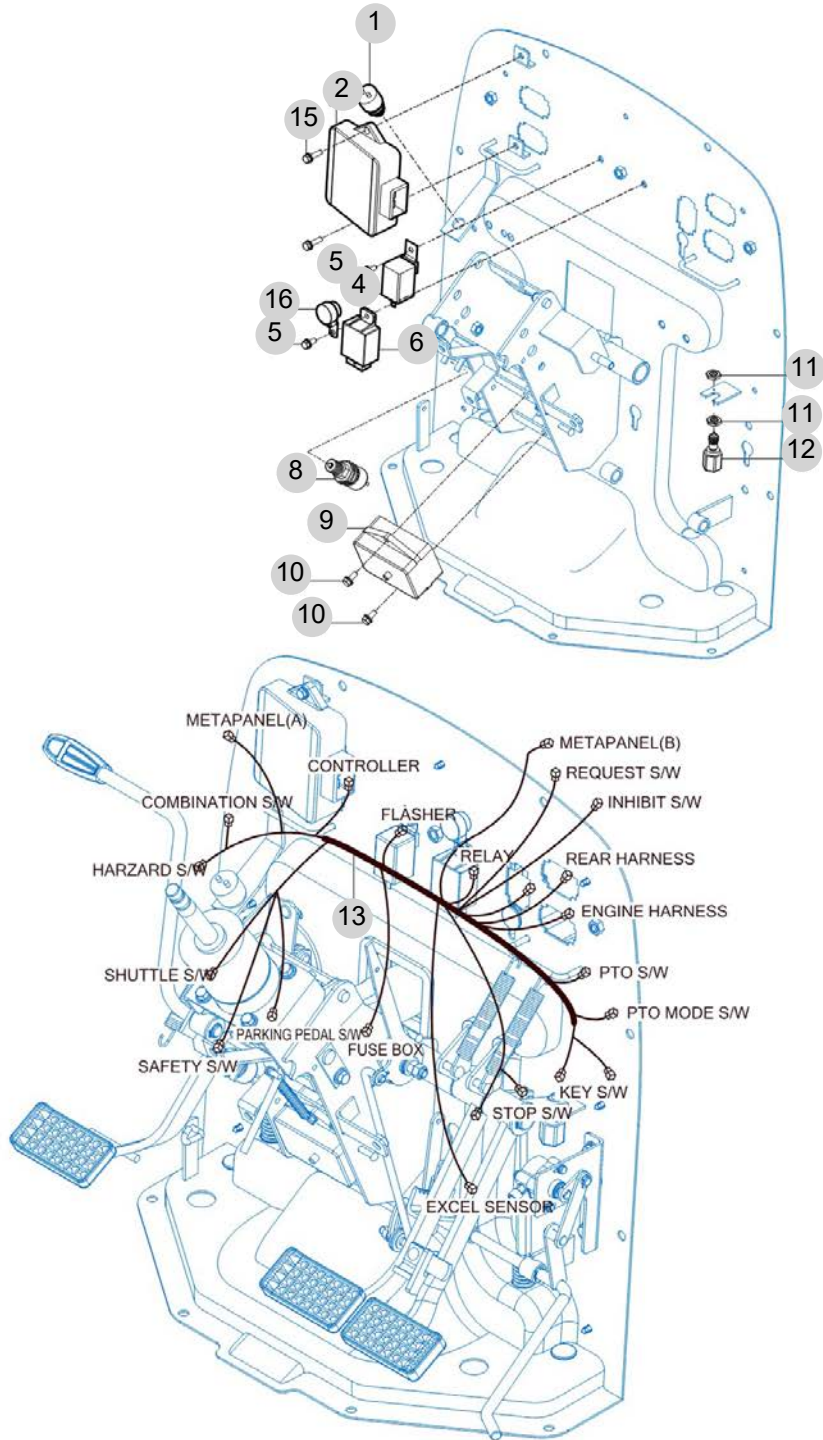
FIG 804

ELECTRIC SYSTEM (1)

년/월
Year/Month

2022-12

T555STGBC



NOTE

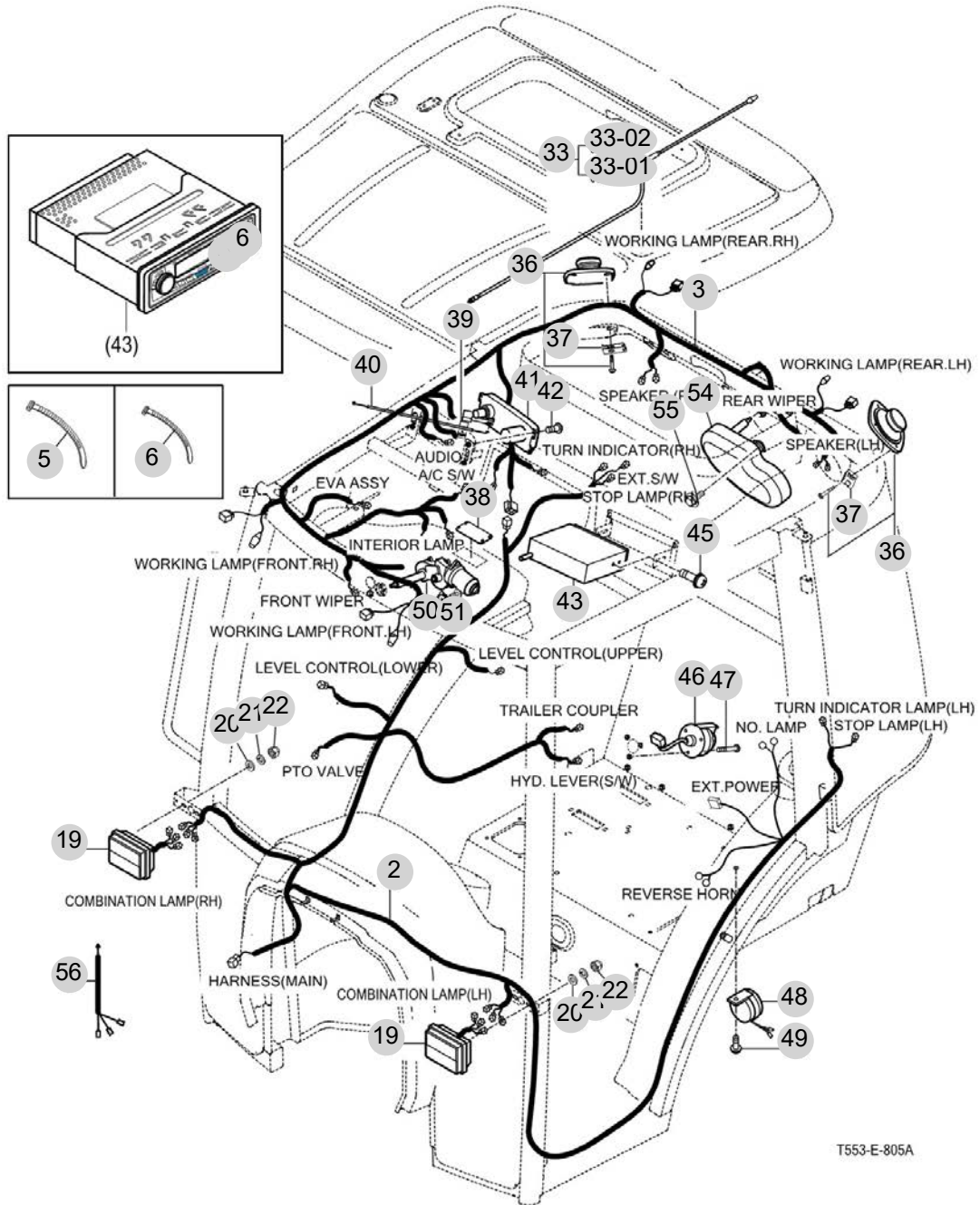
FIG 805A

T555STGBC

ELECTRIC SYSTEM (2)

년/월
Year/Month

2022-12



T553-E-805A

NOTE

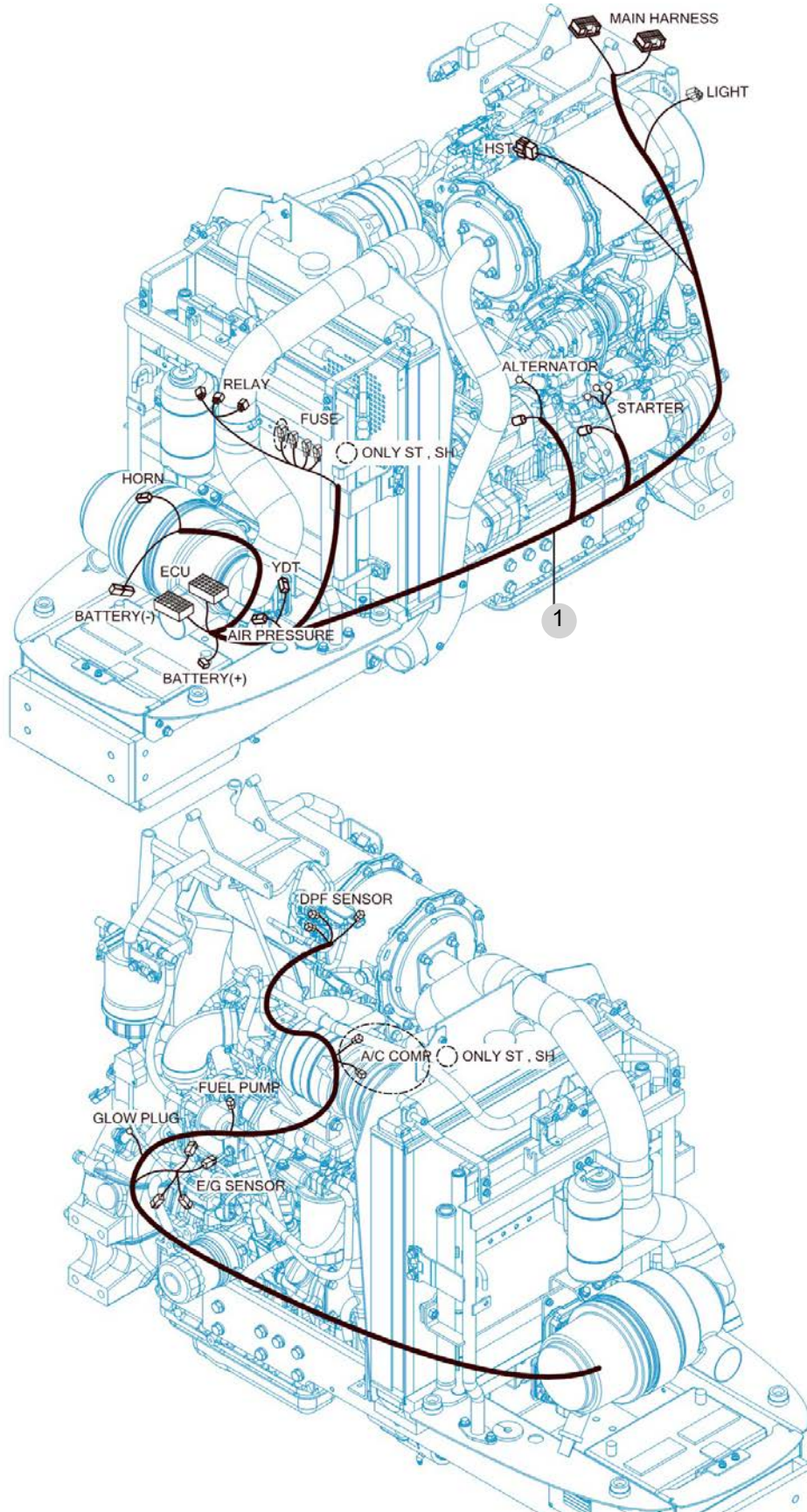
FIG 806

ELECTRIC SYSTEM (3)

년/월
Year/Month

2022-12

T555STGBC



NOTE

9. 라벨/옵션 PART NO. T9

FIG 901 TOOL & ACCESSORY	222
FIG 902 WEIGHT	224
FIG 903 LABEL	226
FIG 903-2 LABEL	228

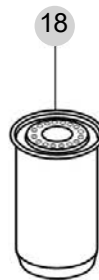
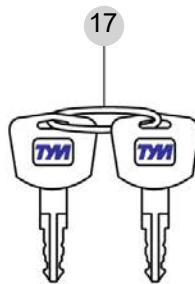
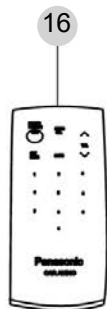
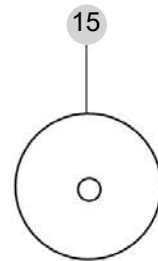
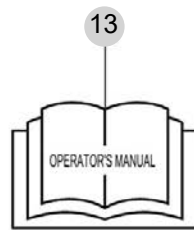
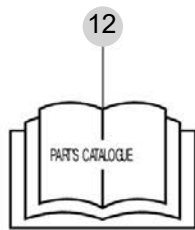
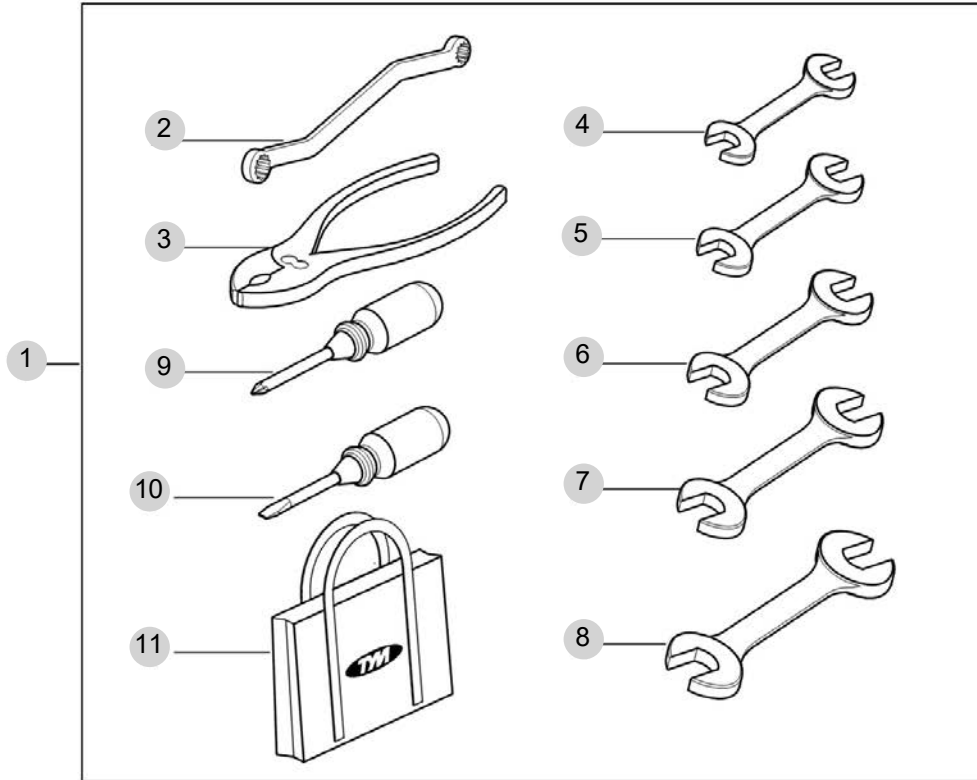
FIG 901

TOOL & ACCESSORY

년/월
Year/Month

2022-12

T555STGBC



NOTE

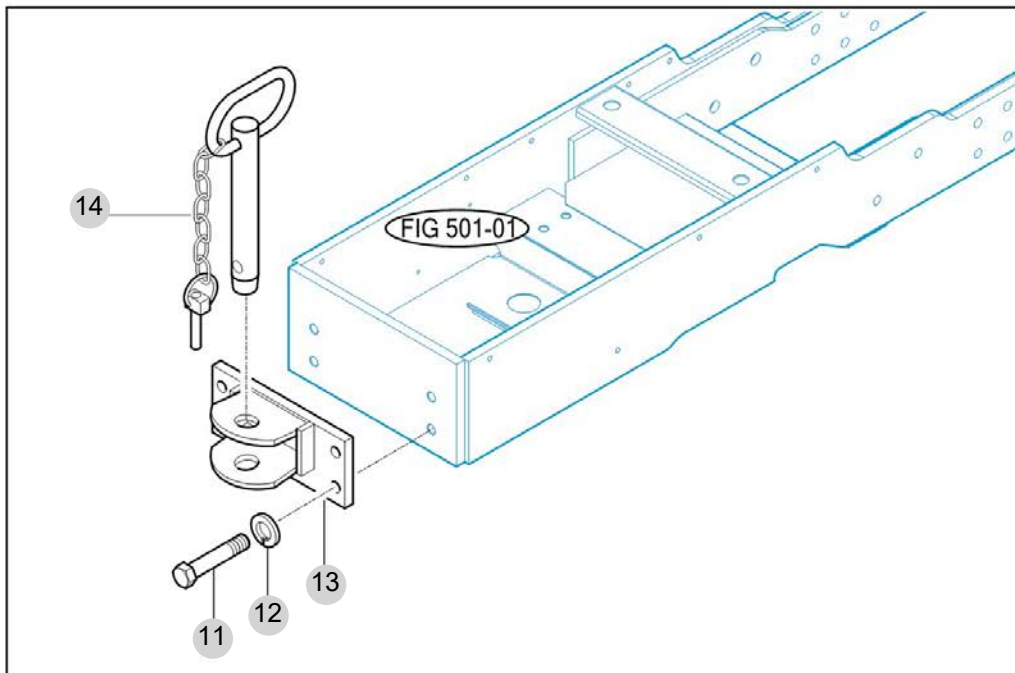
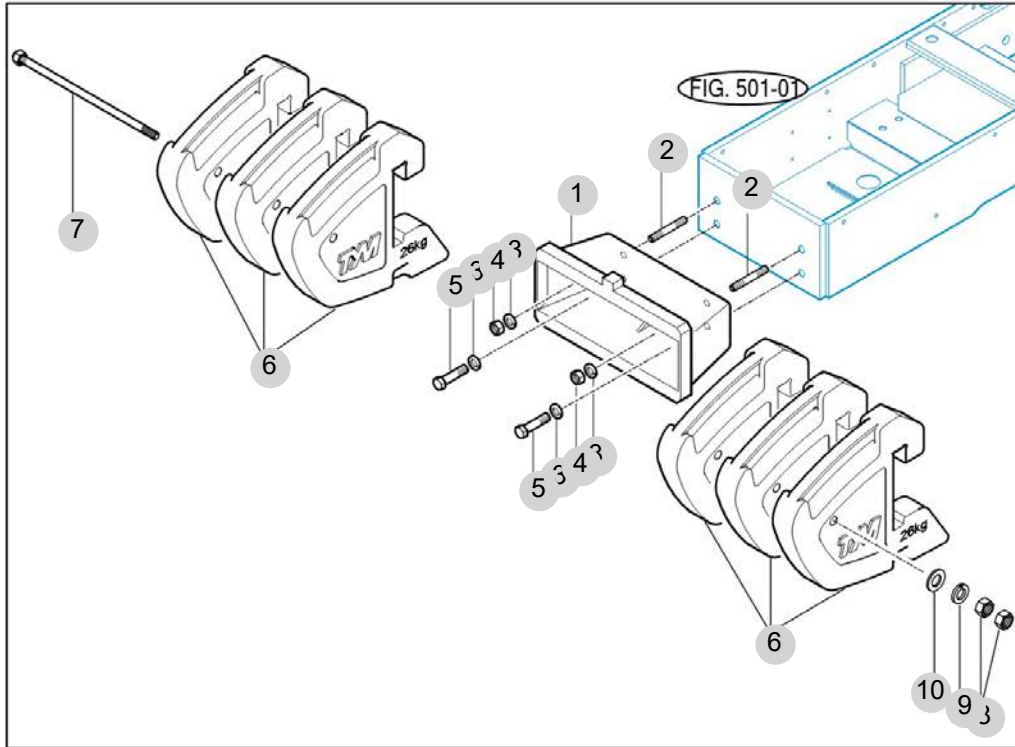
FIG 902

WEIGHT

년/월
Year/Month

2022-12

T555STGBC



T575-E-902

NOTE

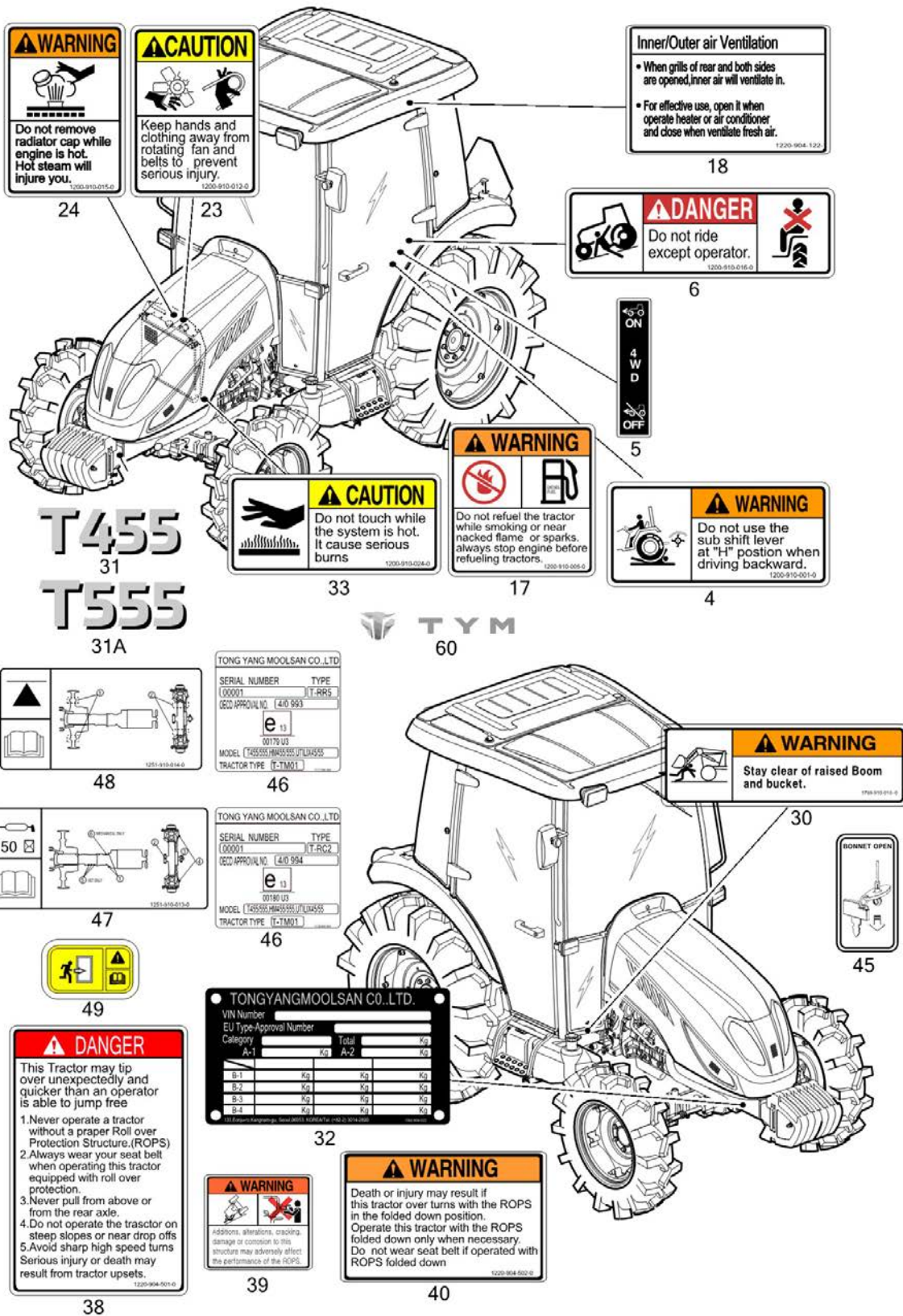
FIG 903

LABEL

년/월
Year/Month

T555STGBC

2022-12



NOTE

