

T495STEU1

Parts Catalog

목 차

1. 엔진 PART NO. EG

FIG 100 ENGINE	9
FIG 101 CYLINDER BLOCK	11
FIG 102B OILJET ASS'Y OPTION(T494)	13
FIG 103 CRANK SHAFT	15
FIG 104 PISTON	17
FIG 105 CYLINDER HEAD	19
FIG 106 ROCKER LEVER	21
FIG 107 HEAD COVER	23
FIG 108 GEAR CASE	25
FIG 109 IDLE GEAR	27
FIG 110 CAM SHAFT	29
FIG 111 OIL PUMP	31
FIG 112 HYD. PUMP DRIVE	33
FIG 113 2ND BALANCE	35
FIG 114 OIL PAN	37
FIG 115B INTAKE MANIFOLD(T494)	39
FIG 116B EXHAUST MANIFOLD(T494)	41
FIG 117B TURBOCHARGER ASS'Y(T494)	43
FIG 118B TURBOCHARGER PLUMBING OPTION(T494)	45
FIG 119B BREATHER(T494)	47
FIG 120 FUEL INJECTION PUMP	49
FIG 121 FUEL INJECTION VALVE	51
FIG 122 FUEL PIPE ASS'Y	53
FIG 123 OIL FILTER	55
FIG 124 OIL COOLER	57
FIG 125 OIL GAUGUE	59
FIG 126 OIL FILLER CAP	61
FIG 127 COOLING WATER PUMP	63
FIG 128 CRANK SHAFT PULLEY	65
FIG 129 V-PULLEY	67
FIG 130 COOLING FAN	69

FIG 131 FLYWHEEL HOUSING	71
FIG 132 FLYWHEEL	73
FIG 133 GLOW PLUG ASS'Y OPTION	75
FIG 134 STARTING MOTOR	77
FIG 135 FUEL FILTER BRACKET ASS'Y	79
FIG 136 ALTERNATOR	81
FIG 137 V-BELT	83
FIG 138 FUEL FILTER	85
FIG 139B DPF SUPPORT (T494)	87
FIG 140 DATAPLATE	89
FIG 142B DPF ASS'Y (T494)	91
FIG 143 LIFT ASS'Y	93
FIG 144 COMP . DRIVE PULLEY ASS'Y OPTION	95
FIG 147 LOOSED PARTS	97

2. 엔진보기품 PART NO. T2

FIG 201B AIR CLEANER(T495)	100
FIG 202 RADIATOR	102
FIG 203 MUFFLER	104
FIG 204 FUEL HOSE & FILTER	106
FIG 205 FUEL TANK	108
FIG 206 ACCELERATOR	110

3. 클러치/브레이크/스티어링 PART NO. T3

FIG 301 CLUTCH	113
FIG 302 CLUTCH PEDAL	115
FIG 303 BRAKE	117
FIG 304 BRAKE PEDAL & LINKAGE	119
FIG 305A FRONT WHEEL	121
FIG 305B FRONT WHEEL (R4 OPTION)	123
FIG 306A REAR WHEEL	125
FIG 306B REAR WHEEL (R4 OPTION)	127
FIG 307 POWER STEERING WHEEL	129
FIG 308 POWER STEERING VALVE	131
FIG 309 POWER STEERING CYLINDER	133
FIG 310 HAND BRAKE	135

4. 트랜스미션 PART NO. T4

FIG 401 TRANSMISSION FRONT CASE	138
FIG 402 FORWARD & BACKWARD GEARS	140
FIG 403 IDLE & COUNTER GEARS	142
FIG 404 MAIN SHIFT GEARS	144
FIG 405 P.T.O DRIVE SHAFT	146
FIG 406 MAIN CHANGE LEVER	148
FIG 407 REVERSE CHANGE LEVER	150
FIG 408 TRANSMISSION MID CASE	152
FIG 409 TRANSMISSION REAR CASE	154
FIG 410 SUB CHANGE GEARS	156
FIG 411 SUB CHANGE SHIFTER	158
FIG 413 DRIVE GEARS	160
FIG 414 4WD CHANGE LEVER	162
FIG 415 P.T.O CHANGE GEARS	164
FIG 417 REAR DIFFERENTIAL GEARS	166
FIG 418 REAR AXLE HOUSING	169

5. 프론트 액슬 PART NO. T5

FIG 501 FRONT AXLE SUPPORT	172
FIG 502 FRONT DRIVE SHAFT	174
FIG 503 FRONT AXLE HOUSING	176
FIG 504 FRONT DIFFERENTIAL GEARS	178
FIG 505 FRONT GEAR CASE (1)	180
FIG 506 FRONT GEAR CASE (2)	182
FIG 507 FRONT GEAR CASE (3)	184

6. 유압/3점링크 PART NO. T6

FIG 601 CYLINDER CASE	187
FIG 602 LIFT ARM	189
FIG 603 CYLINDER	191
FIG 604 POSITION LINK	193
FIG 605 CONTROL VALVE	195
FIG 606 DRAFT LINK	197

FIG 607 POSITION & DRAFT LEVER (1)	199
FIG 607-2 POSITION & DRAFT LEVER (2)[SAP 가져오기]에서 생성함.	201
FIG 608 EXTERIOR HYD.VALVE	203
FIG 609 HYDRAULIC PIPE	205
FIG 610 JOYSTICK	207
FIG 612 HITCH & 3-POINT LINK	209
FIG 613 LOWER LINK & LIFT ROD	212

7. 시트메탈/캐빈 PART NO. T7

FIG 701 BONNET FRAME	215
FIG 702A BONNET (1)	217
FIG 702B BONNET (2)	219
FIG 703 EXTENSION COVER	221
FIG 704A LEVER COVER & STEP	223
FIG 705 FRONT & REAR MOUNTING	225
FIG 706 SEAT & MAT	227
FIG 709 DOOR	229
FIG 710A FRONT GLASS	232
FIG 711 SIDE GLASS	234
FIG 712 REAR GLASS	236
FIG 713A SUB FENDER & COVER	238
FIG 714A MIRROR	240
FIG 715A HEATER & AIR-CON	242
FIG 715B HEATER & AIR-CON	244
FIG 716 FENDER COVER	246
FIG 717 ROOF	248
FIG 718 CABIN INTERIOR	250

8. 전장 PART NO. T8

FIG 801 BATTERY MOUNTING	253
FIG 802 HARNESS LAMP	255
FIG 803 INSTRUMENT PANEL	257
FIG 804 ELECTRIC SYSTEM (1)	259
FIG 805A ELECTRIC SYSTEM (2)	261
FIG 806 ELECTRIC SYSTEM (3)	263

9. 라벨/옵션 PART NO. T9

FIG 901 TOOL & ACCESSORY	266
--------------------------	-----

FIG 902 WEIGHT
FIG 903 LABEL

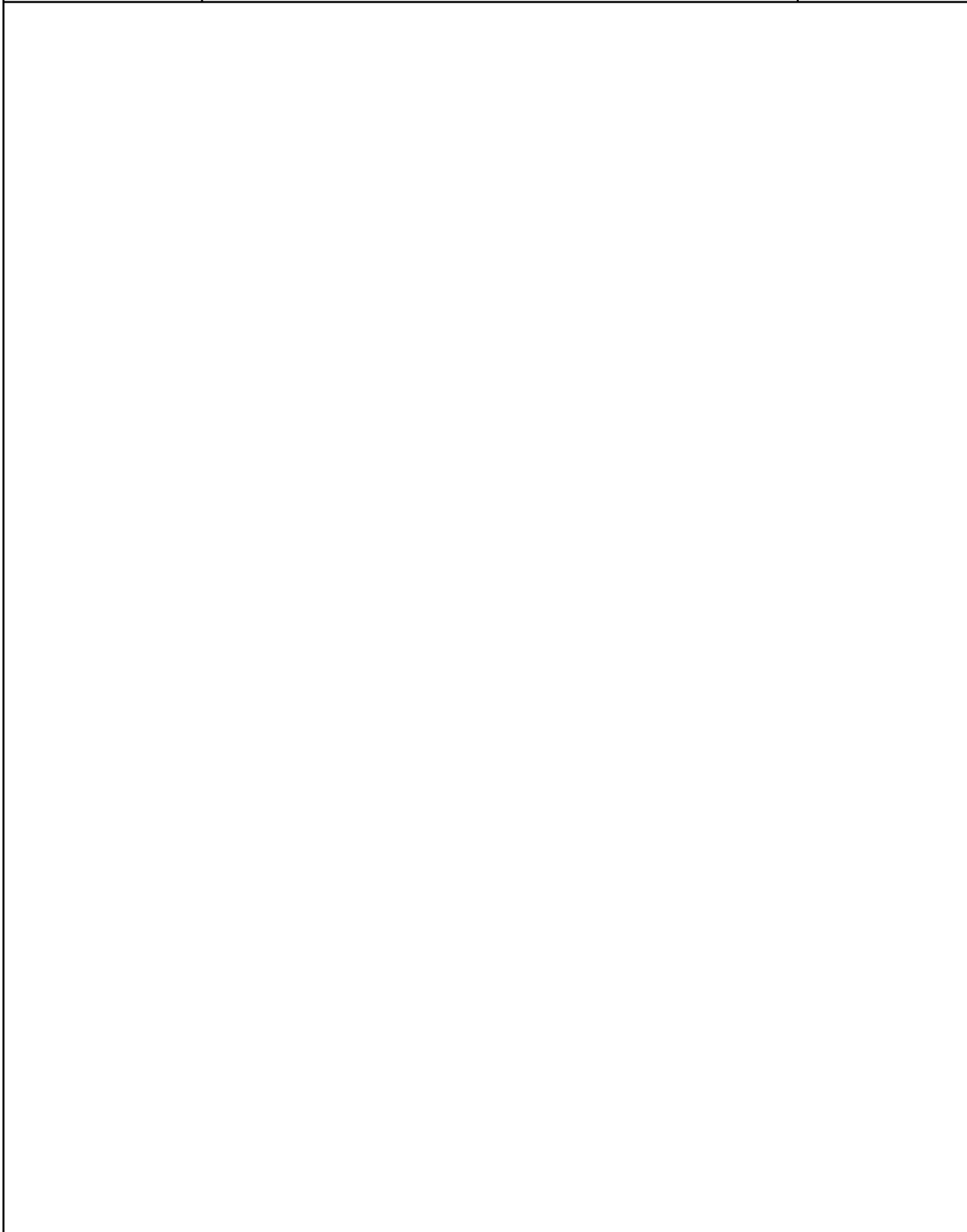
268
270

1. 엔진 PART NO. EG

FIG 100 ENGINE	9
FIG 101 CYLINDER BLOCK	11
FIG 102B OILJET ASS'Y OPTION(T494)	13
FIG 103 CRANK SHAFT	15
FIG 104 PISTON	17
FIG 105 CYLINDER HEAD	19
FIG 106 ROCKER LEVER	21
FIG 107 HEAD COVER	23
FIG 108 GEAR CASE	25
FIG 109 IDLE GEAR	27
FIG 110 CAM SHAFT	29
FIG 111 OIL PUMP	31
FIG 112 HYD. PUMP DRIVE	33
FIG 113 2ND BALANCE	35
FIG 114 OIL PAN	37
FIG 115B INTAKE MANIFOLD(T494)	39
FIG 116B EXHAUST MANIFOLD(T494)	41
FIG 117B TURBOCHARGER ASS'Y(T494)	43
FIG 118B TURBOCHARGER PLUMBING OPTION(T494)	45
FIG 119B BREATHER(T494)	47
FIG 120 FUEL INJECTION PUMP	49
FIG 121 FUEL INJECTION VALVE	51
FIG 122 FUEL PIPE ASS'Y	53
FIG 123 OIL FILTER	55
FIG 124 OIL COOLER	57
FIG 125 OIL GAUGUE	59
FIG 126 OIL FILLER CAP	61
FIG 127 COOLING WATER PUMP	63
FIG 128 CRANK SHAFT PULLEY	65
FIG 129 V-PULLEY	67
FIG 130 COOLING FAN	69
FIG 131 FLYWHEEL HOUSING	71
FIG 132 FLYWHEEL	73
FIG 133 GLOW PLUG ASS'Y OPTION	75
FIG 134 STARTING MOTOR	77
FIG 135 FUEL FILTER BRACKET ASS'Y	79
FIG 136 ALTERNATOR	81
FIG 137 V-BELT	83

FIG 138 FUEL FILTER	85
FIG 139B DPF SUPPORT (T494)	87
FIG 140 DATAPLATE	89
FIG 142B DPF ASS'Y (T494)	91
FIG 143 LIFT ASS'Y	93
FIG 144 COMP . DRIVE PULLEY ASS'Y OPTION	95
FIG 147 LOOSED PARTS	97

FIG 100 T495STEU1	ENGINE	년/월 Year/Month 2022-12
----------------------	--------	------------------------------



NOTE	
------	--

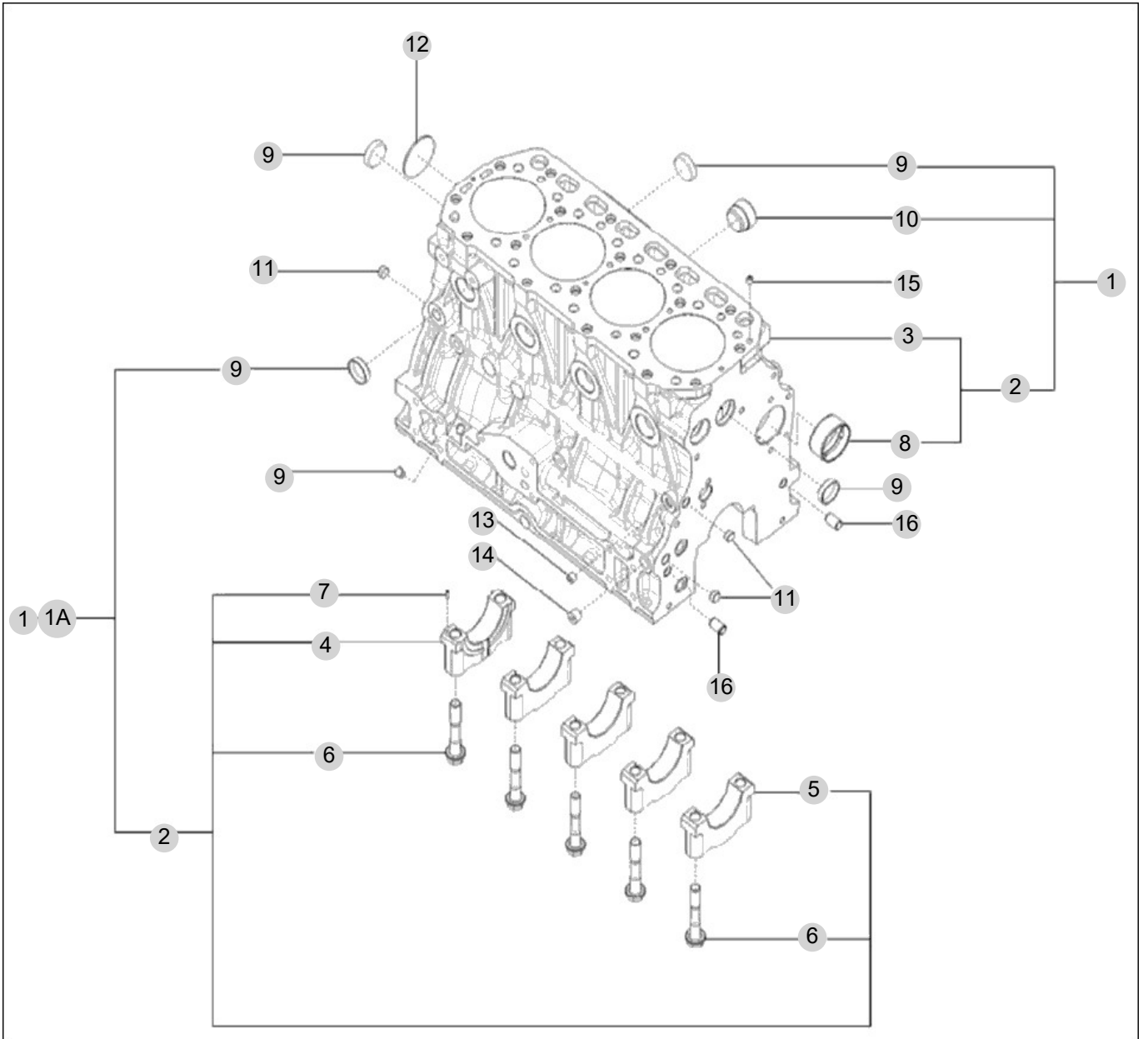
FIG 101

T495STEU1

CYLINDER BLOCK

년/월
Year/Month

2022-12



NOTE

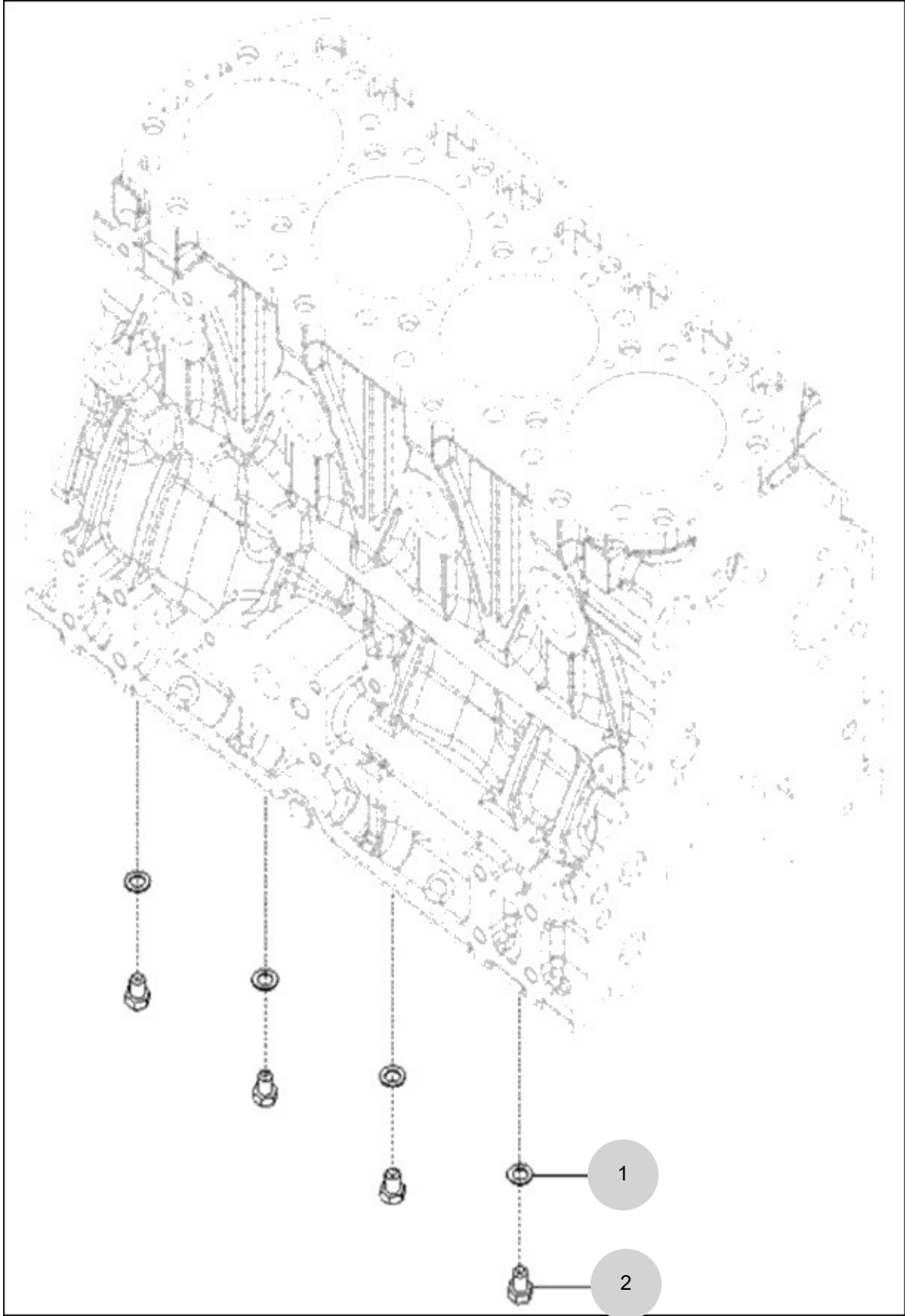
FIG 102B

OILJET ASS'Y OPTION(T494)

년/월
Year/Month

2022-12

T495STEU1



NOTE

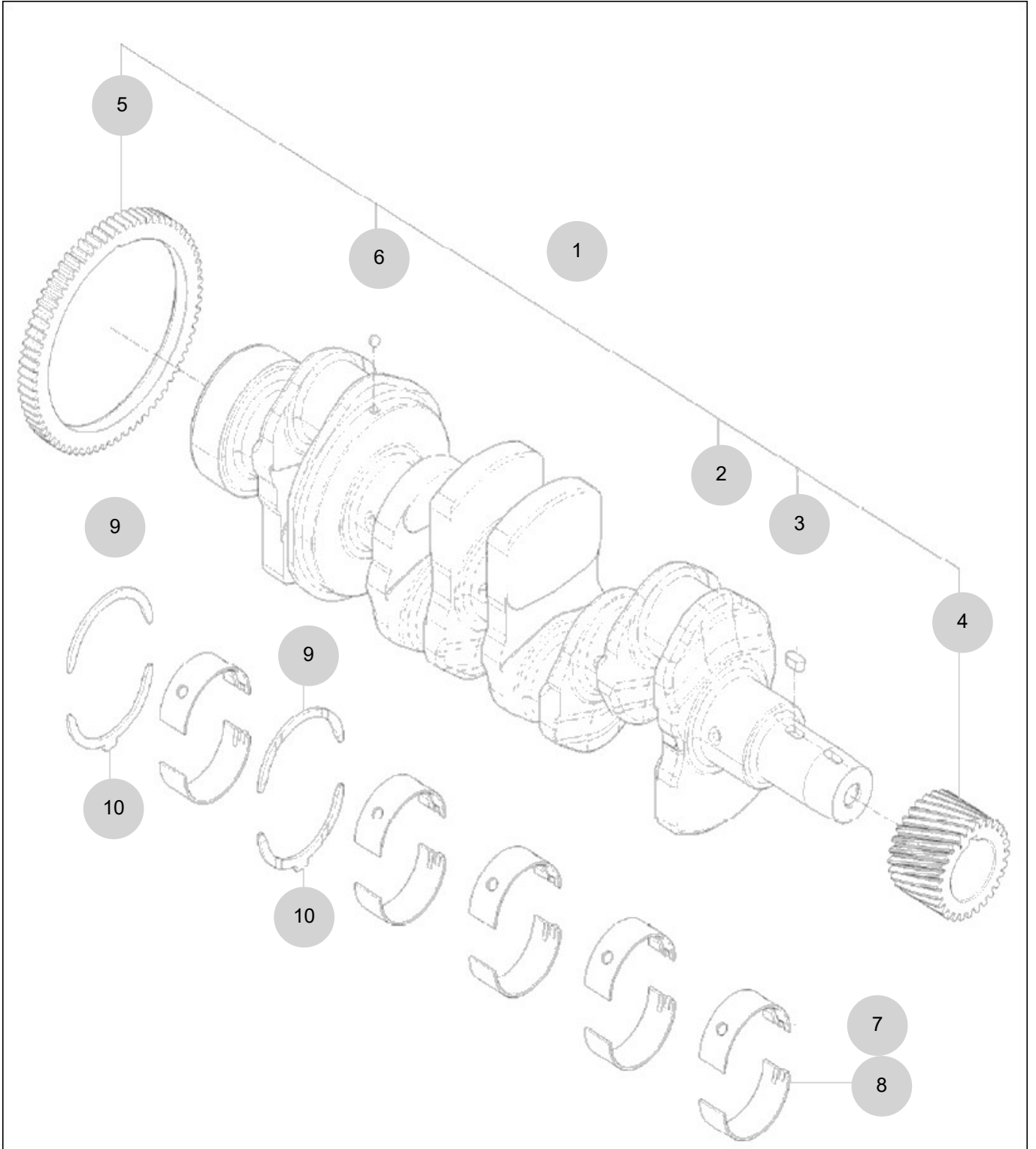
FIG 103

CRANK SHAFT

년/월
Year/Month

T495STEU1

2022-12



NOTE

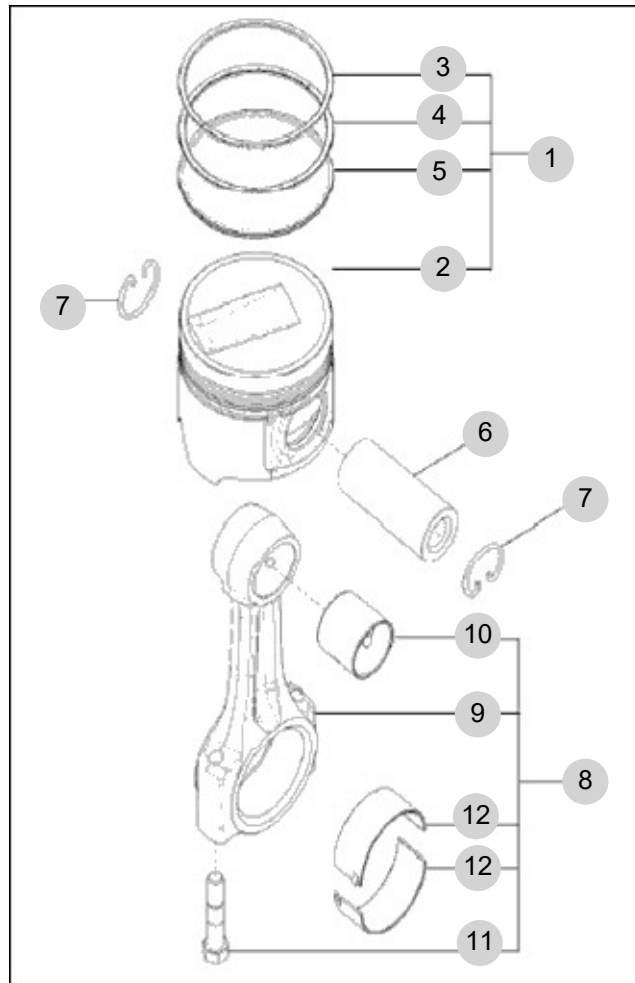
FIG 104

T495STEU1

PISTON

년/월
Year/Month

2022-12



NOTE

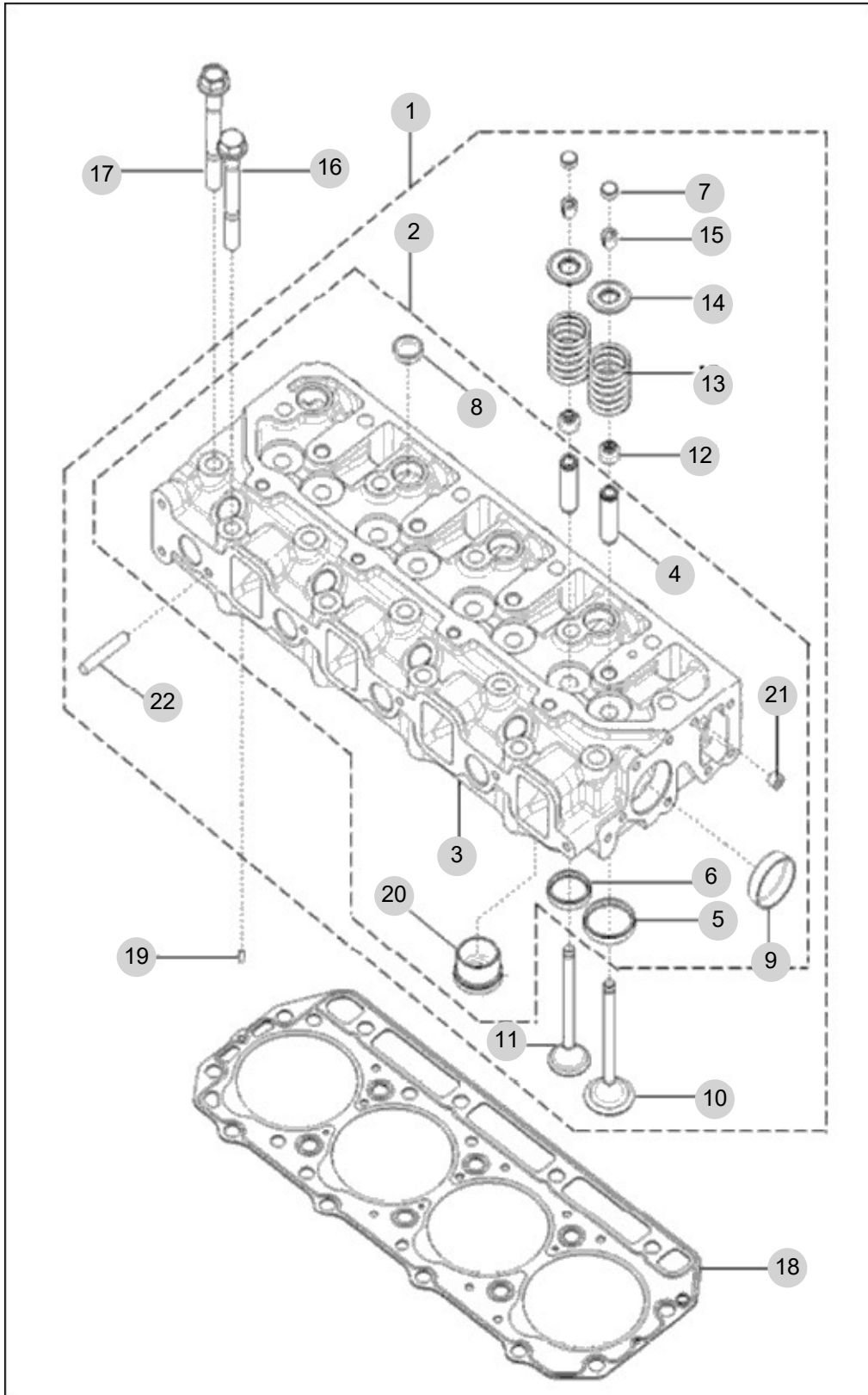
FIG 105

CYLINDER HEAD

년/월
Year/Month

2022-12

T495STEU1



NOTE

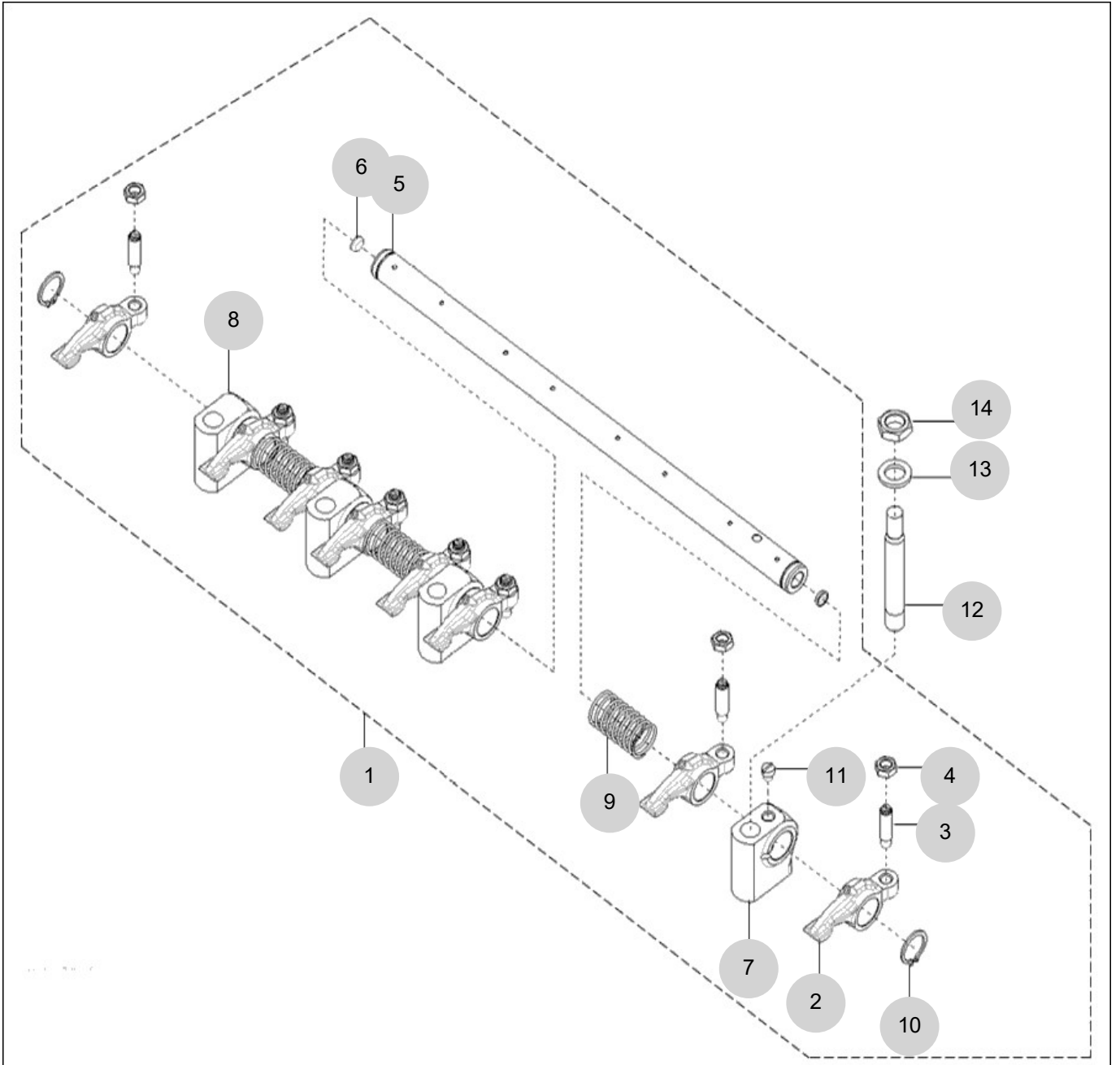
FIG 106

ROCKER LEVER

년/월
Year/Month

2022-12

T495STEU1



NOTE

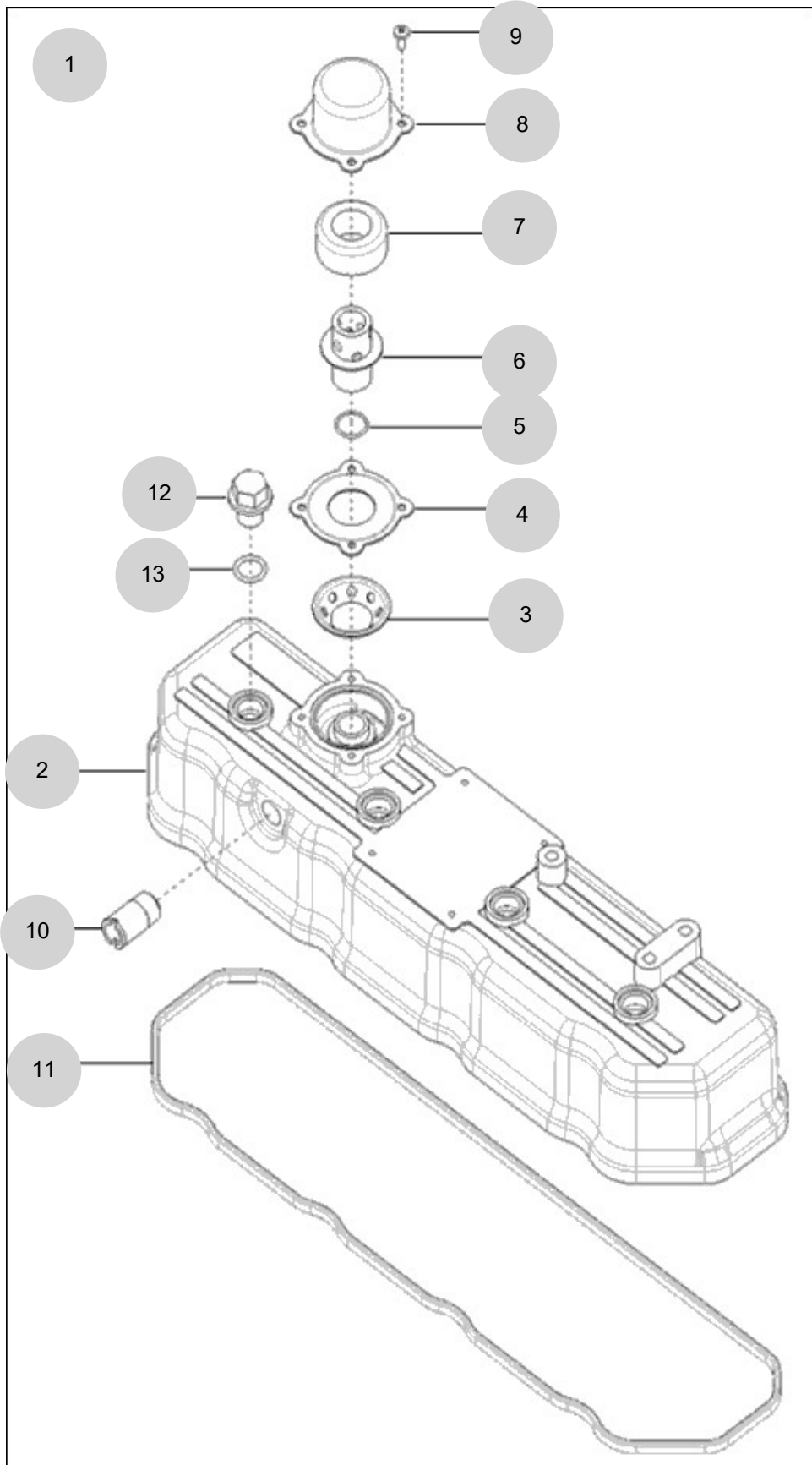
FIG 107

T495STEU1

HEAD COVER

년/월
Year/Month

2022-12



NOTE

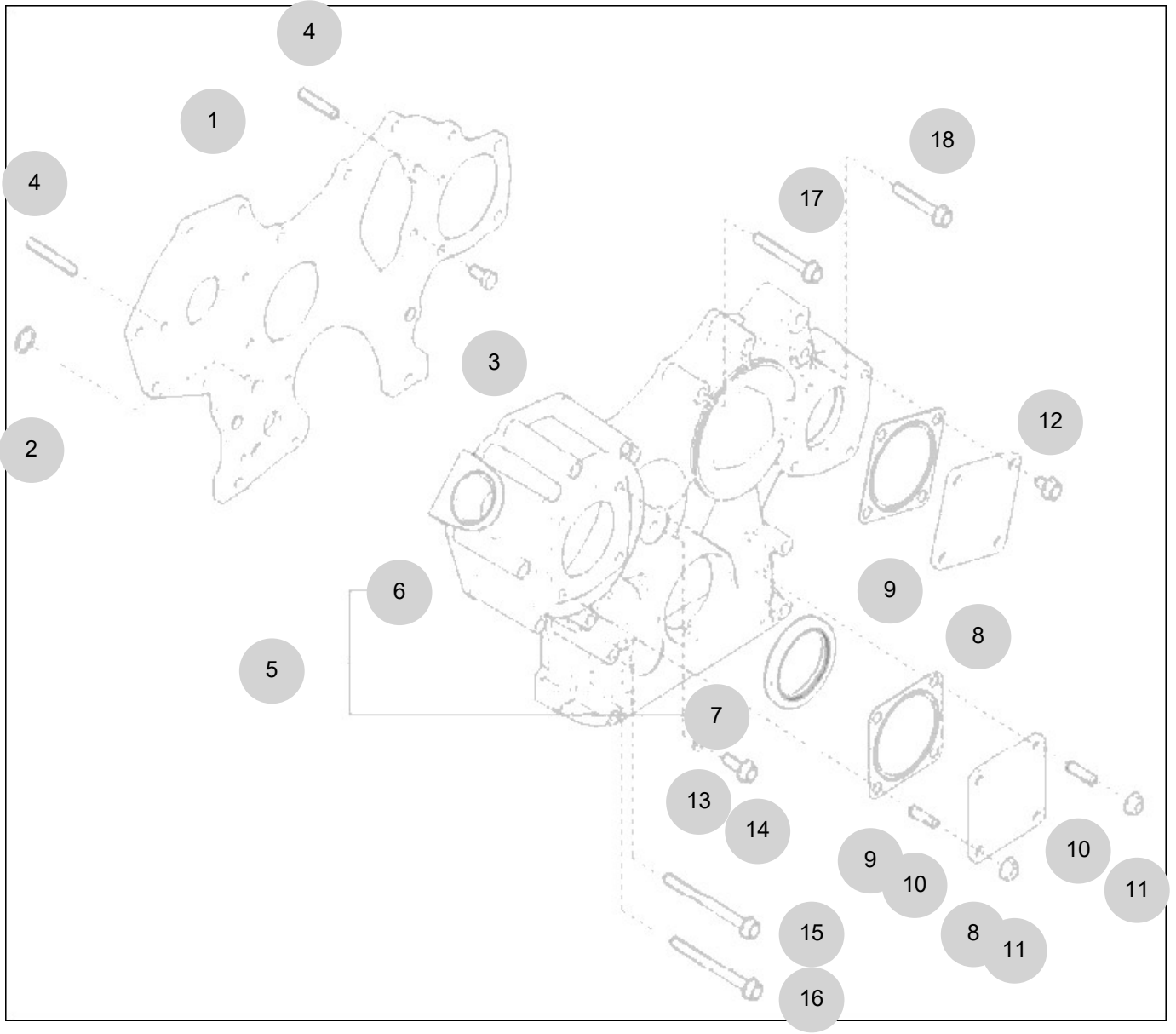
FIG 108

GEAR CASE

년/월
Year/Month

T495STEU1

2022-12



NOTE

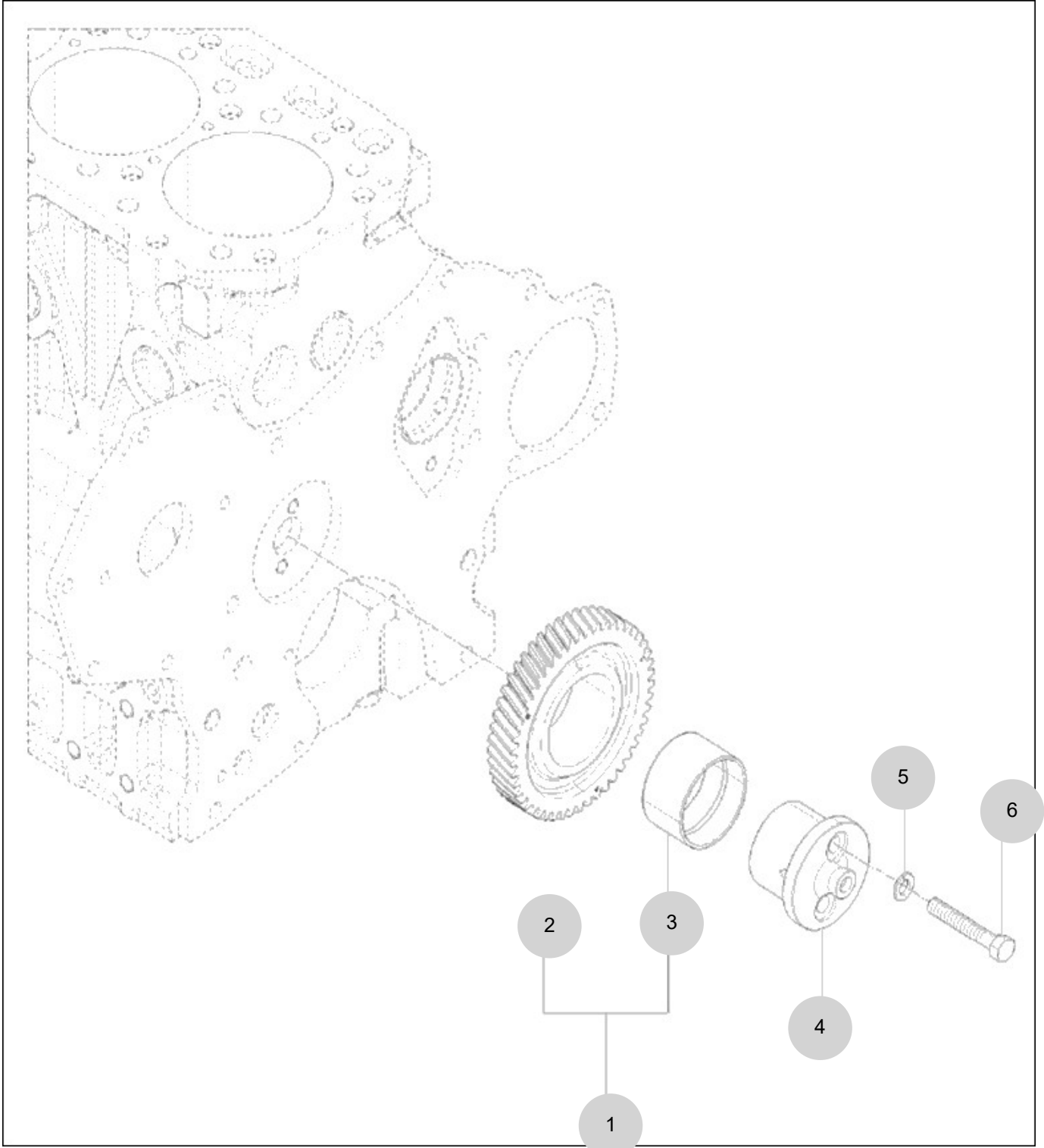
FIG 109

IDLE GEAR

년/월
Year/Month

T495STEU1

2022-12



NOTE

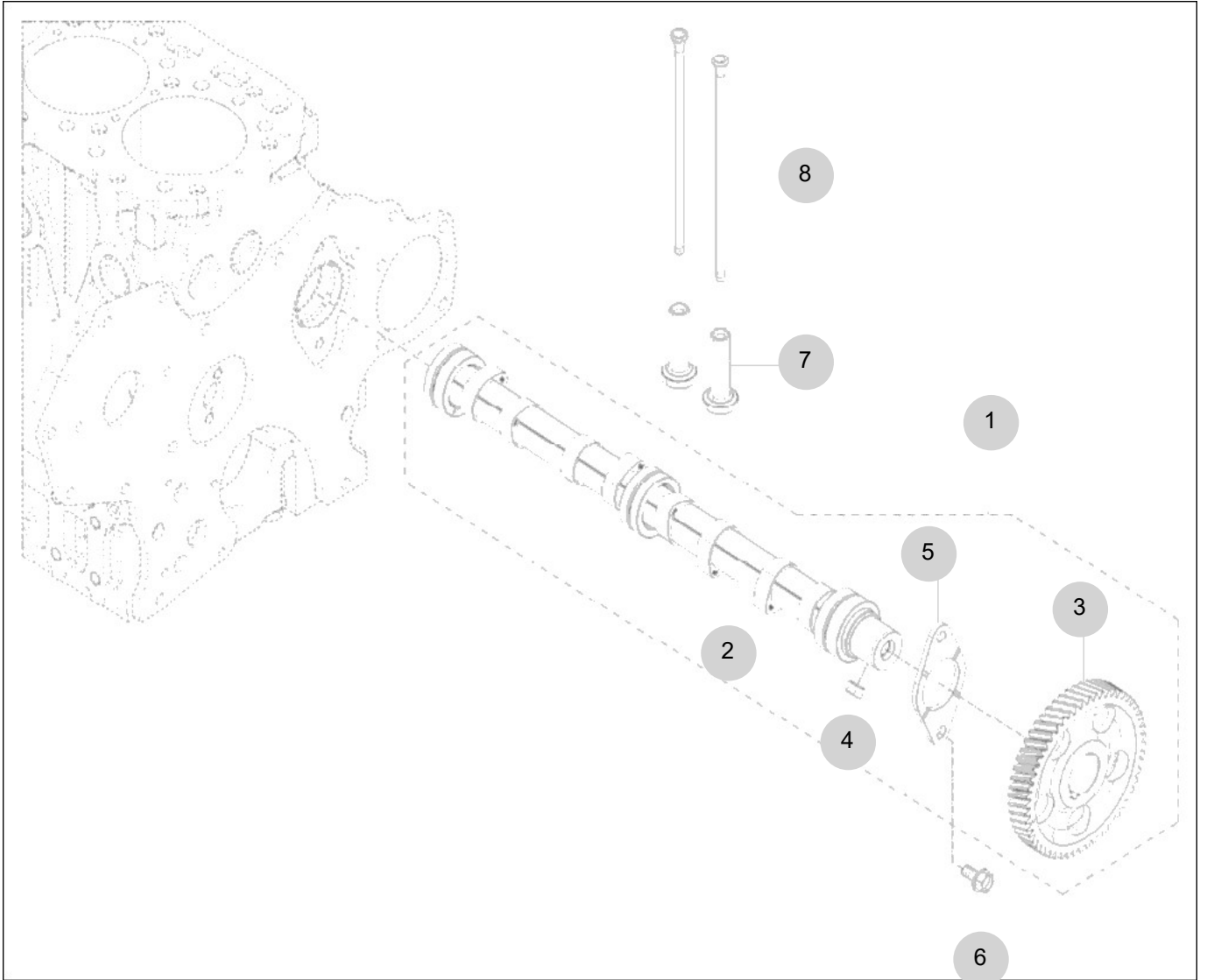
FIG 110

CAM SHAFT

년/월
Year/Month

T495STEU1

2022-12



NOTE

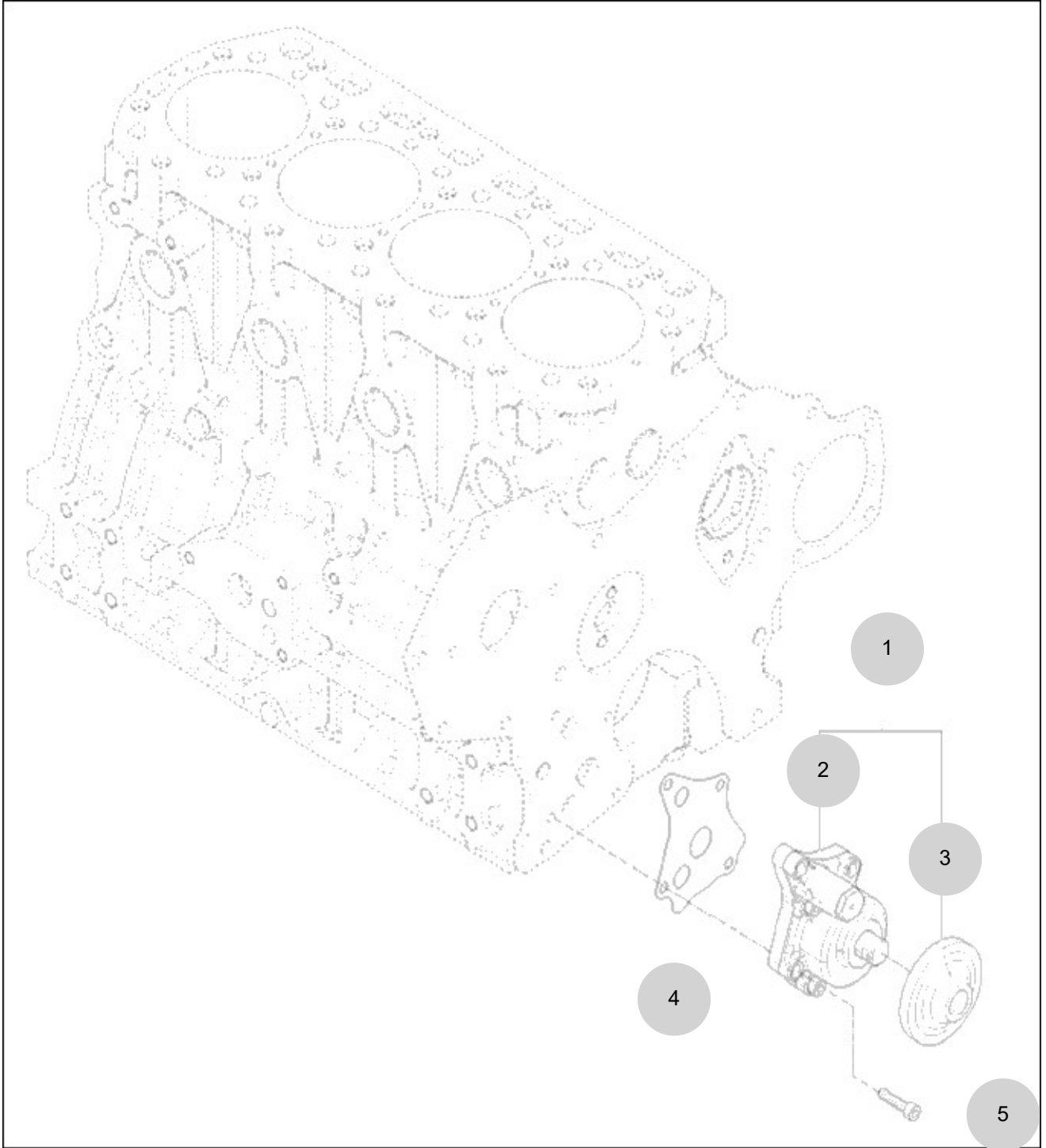
FIG 111

OIL PUMP

년/월
Year/Month

T495STEU1

2022-12



NOTE

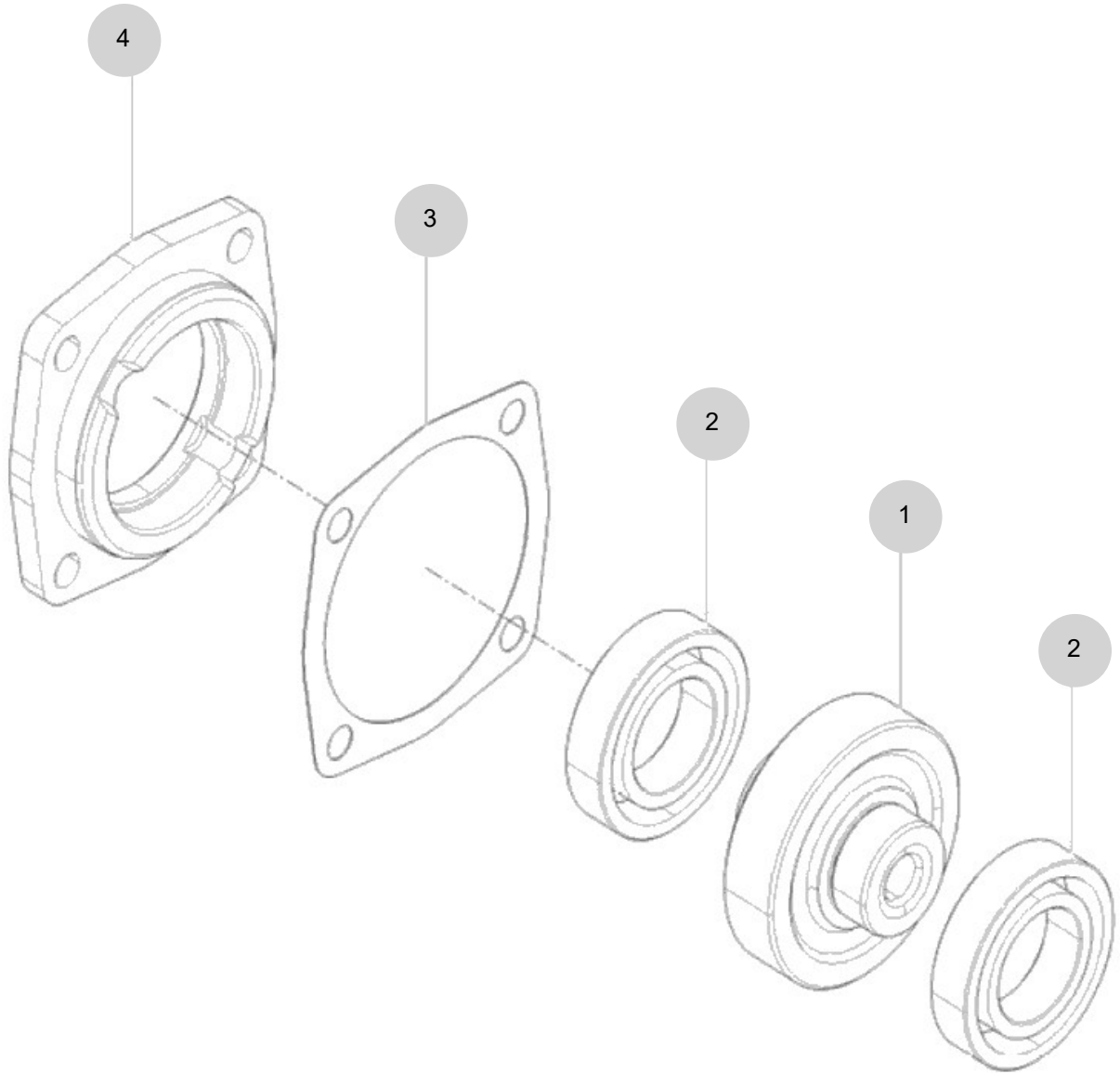
FIG 112

HYD. PUMP DRIVE

년/월
Year/Month

T495STEU1

2022-12



NOTE

FIG 112		HYD. PUMP DRIVE						년/월 Year/Month
T495STEU1								2022-12
KEY NO	PART NO	DESCRIPTION	SPEC	QTY	REPAIR	EFFECTIVE DATE	REMARKS	
112	1	HRA4000300A	HYD. PUMP DRIVE GEA	1				
112	2	24101-060064	볼베어링	2				
112	3	HK02350000A	PACKING	1				
112	4	HK02340000B	유압펌프기어커버	1				
NOTE								

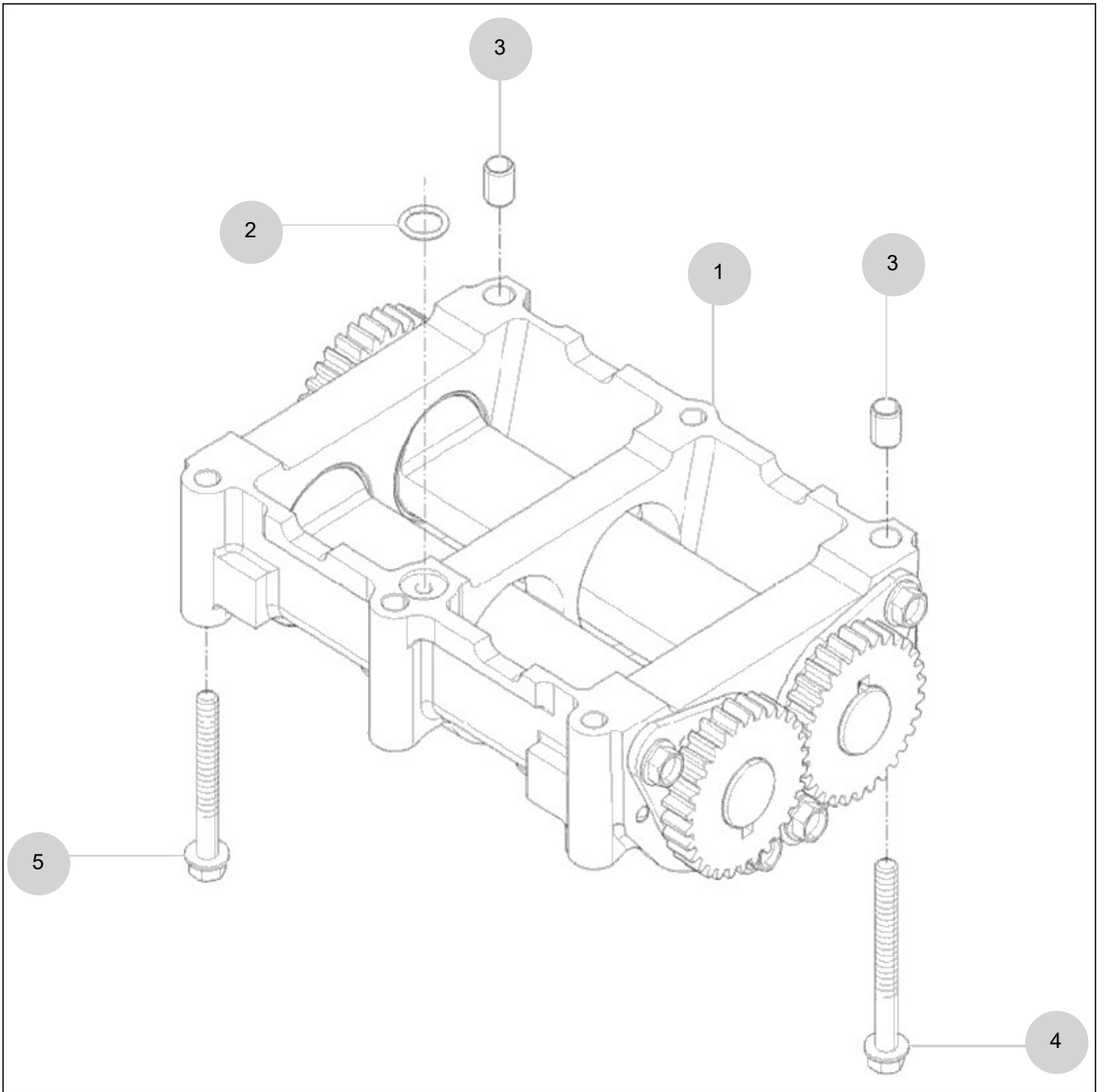
FIG 113

2ND BALANCE

년/월
Year/Month

T495STEU1

2022-12



NOTE

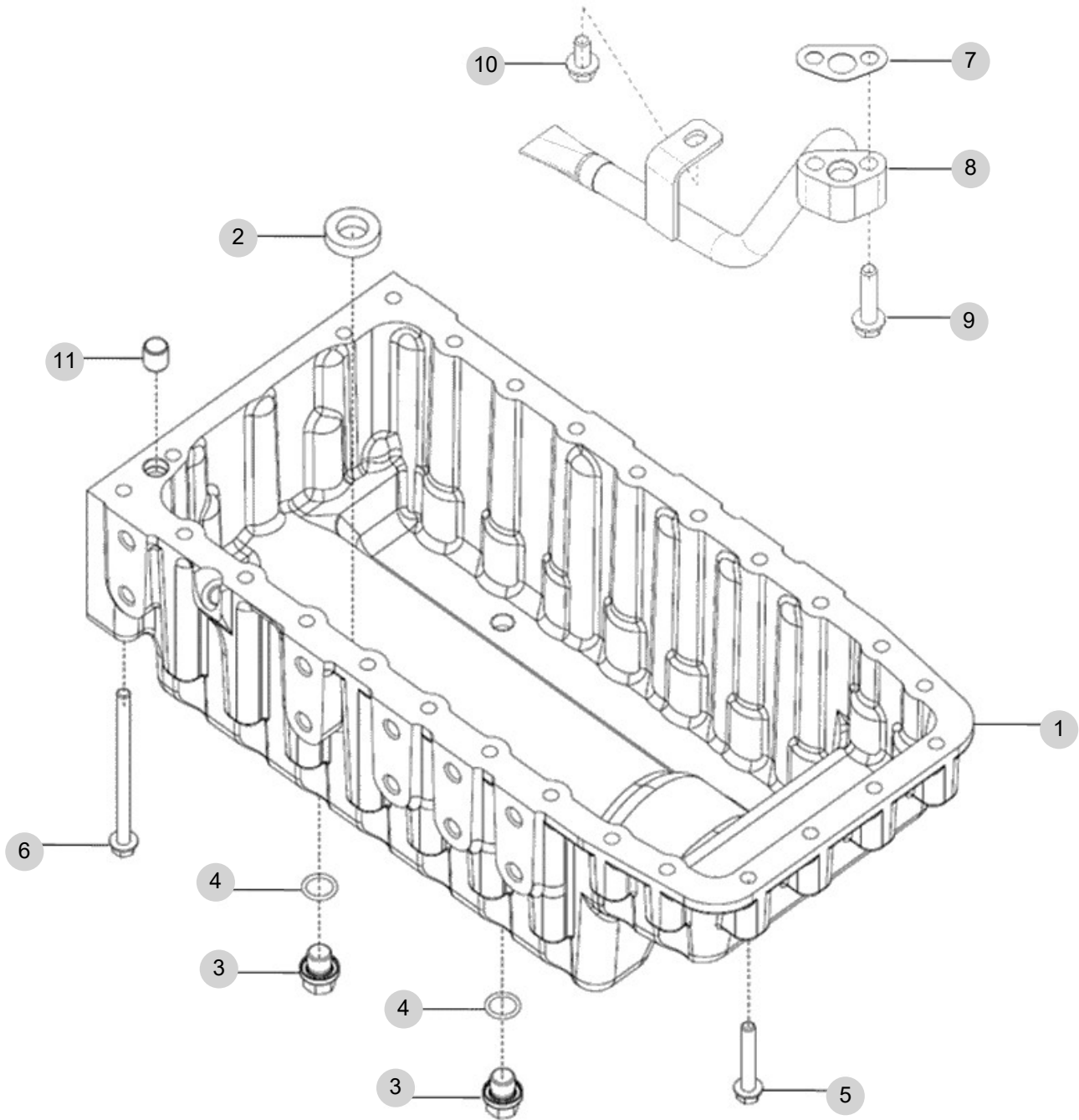
FIG 114

T495STEU1

OIL PAN

년/월
Year/Month

2022-12



NOTE

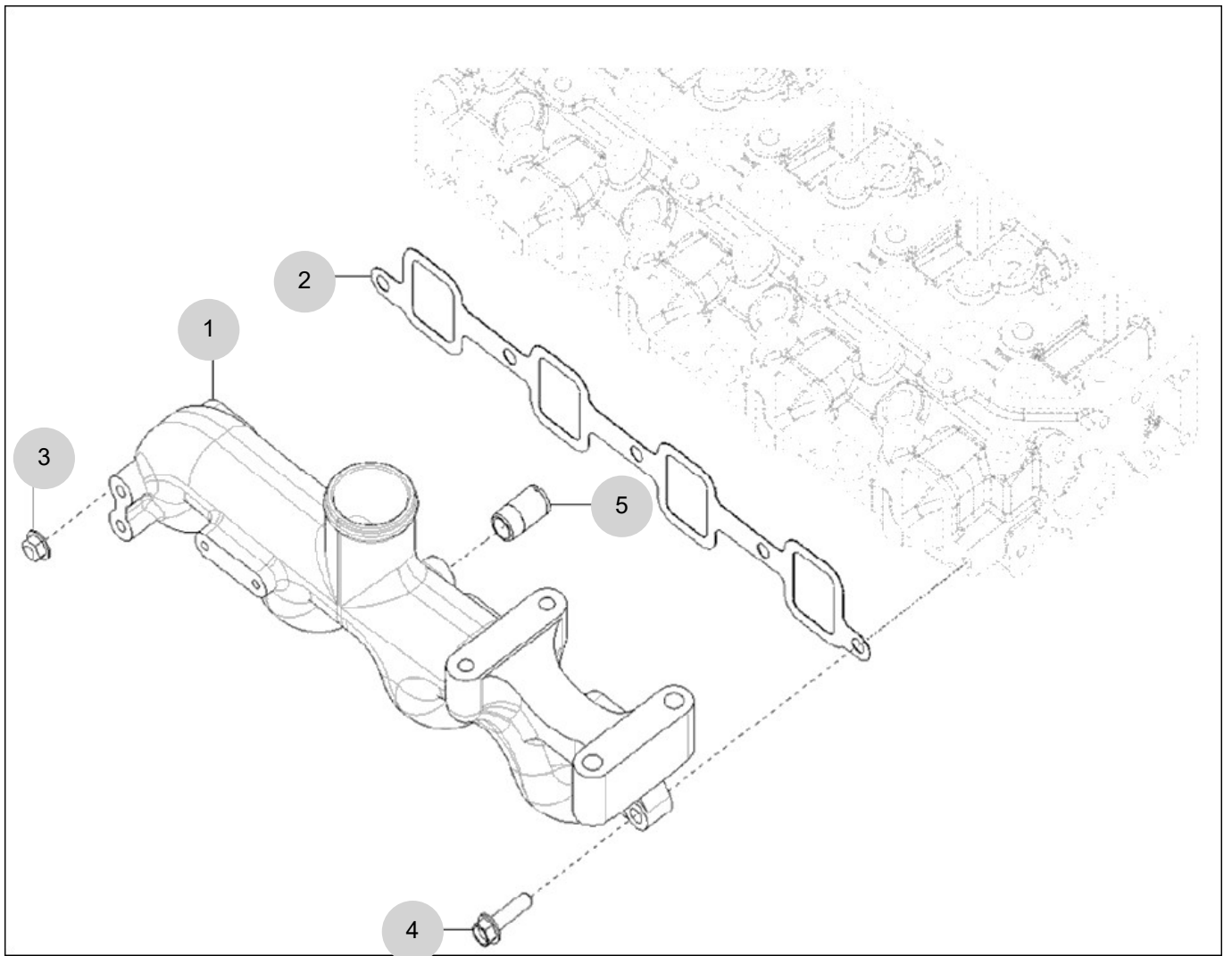
FIG 115B

INTAKE MANIFOLD(T494)

년/월
Year/Month

2022-12

T495STEU1



NOTE

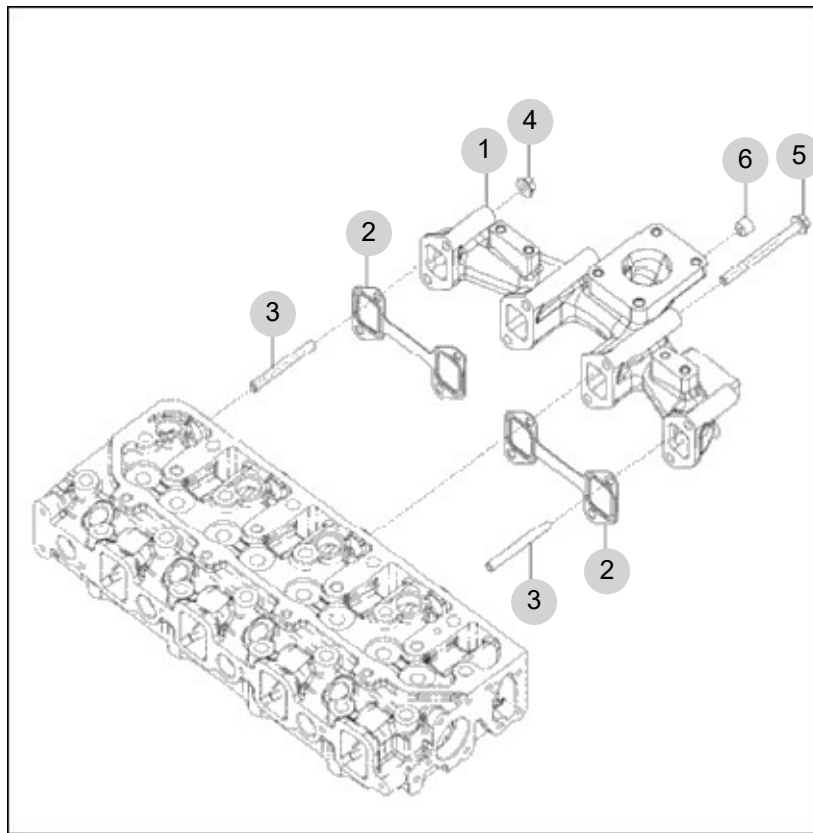
FIG 116B

T495STEU1

EXHAUST MANIFOLD(T494)

년/월
Year/Month

2022-12



NOTE

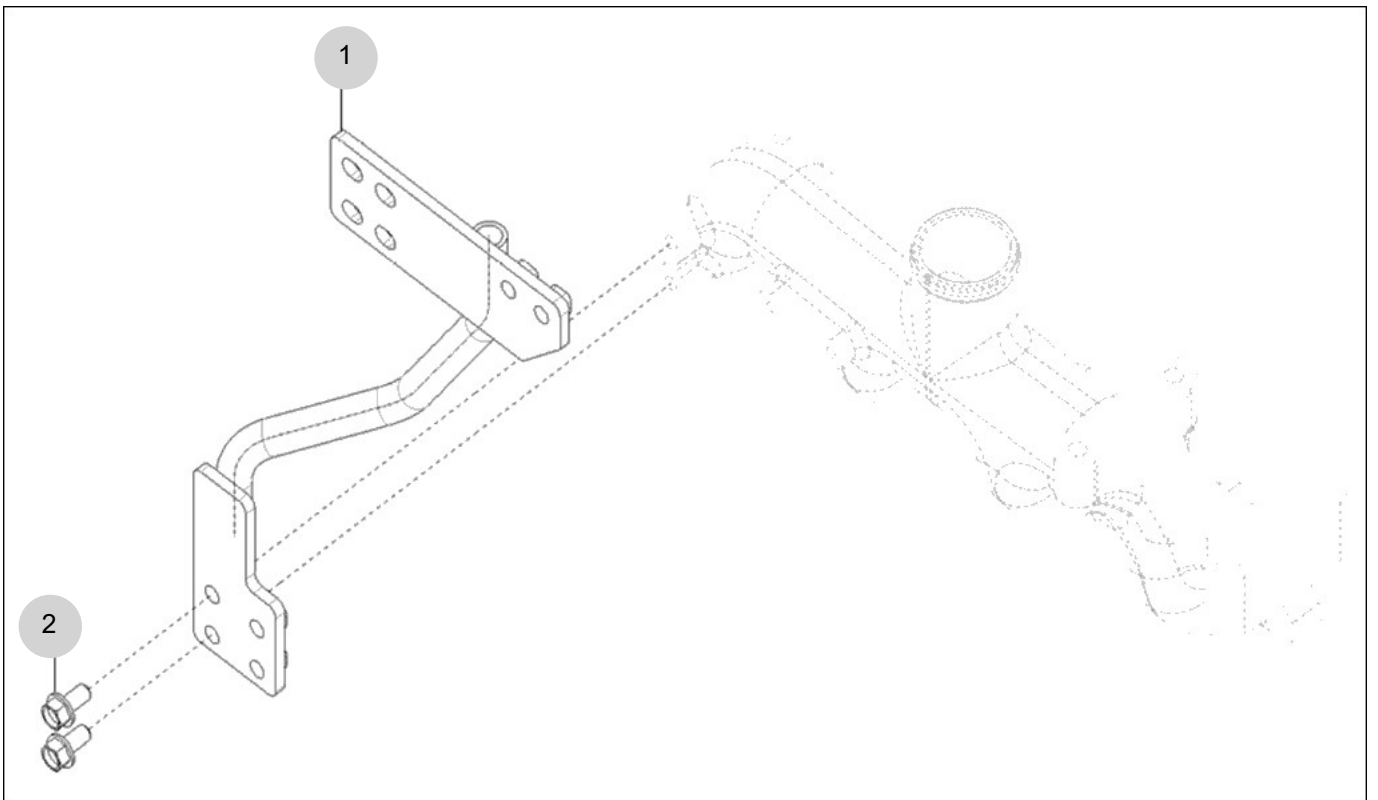
FIG 117B

TURBOCHARGER ASS'Y(T494)

년/월
Year/Month

2022-12

T495STEU1



NOTE

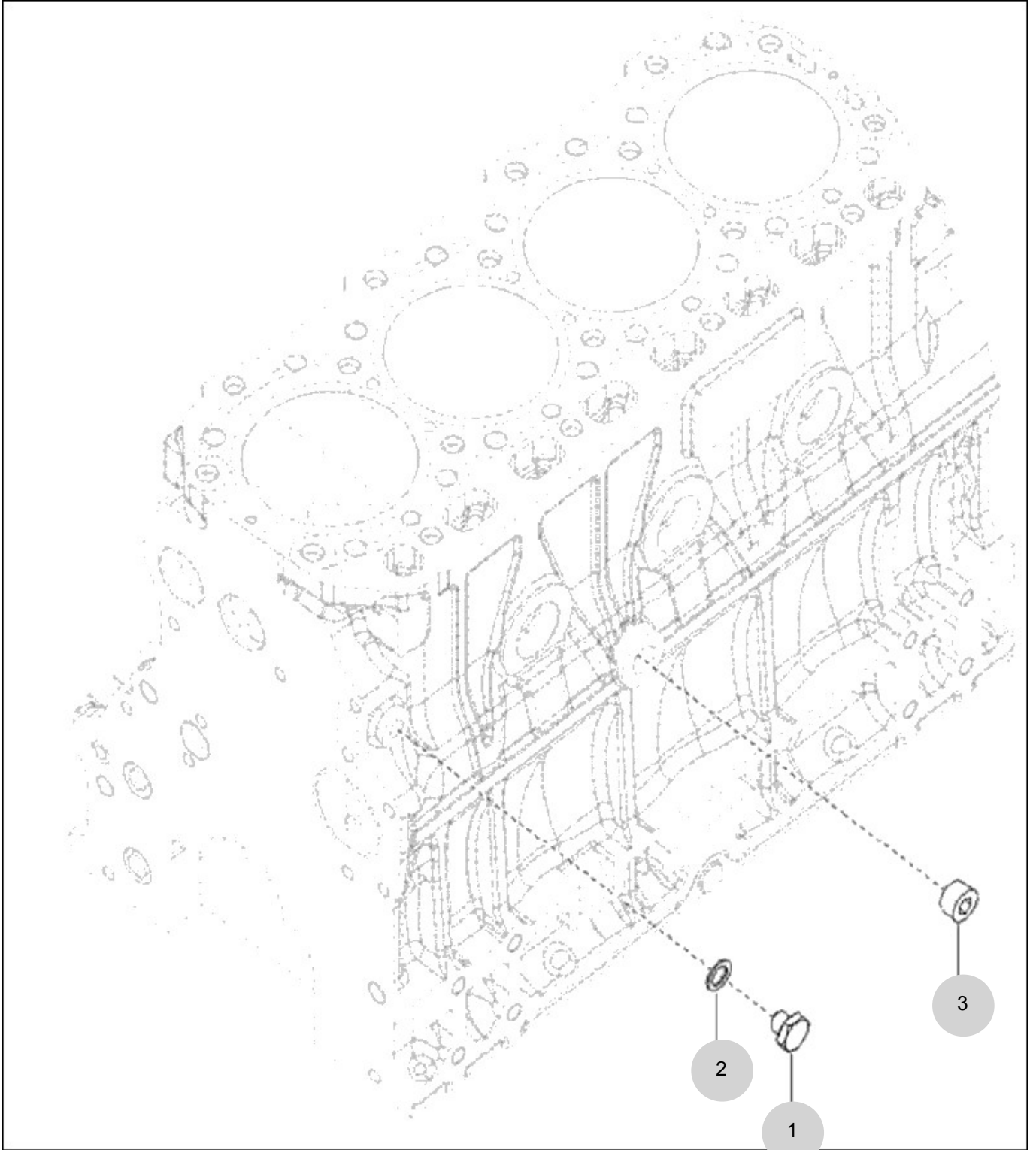
FIG 118B

TURBOCHARGER PLUMBING OPTION(T494)

년/월
Year/Month

2022-12

T495STEU1



NOTE

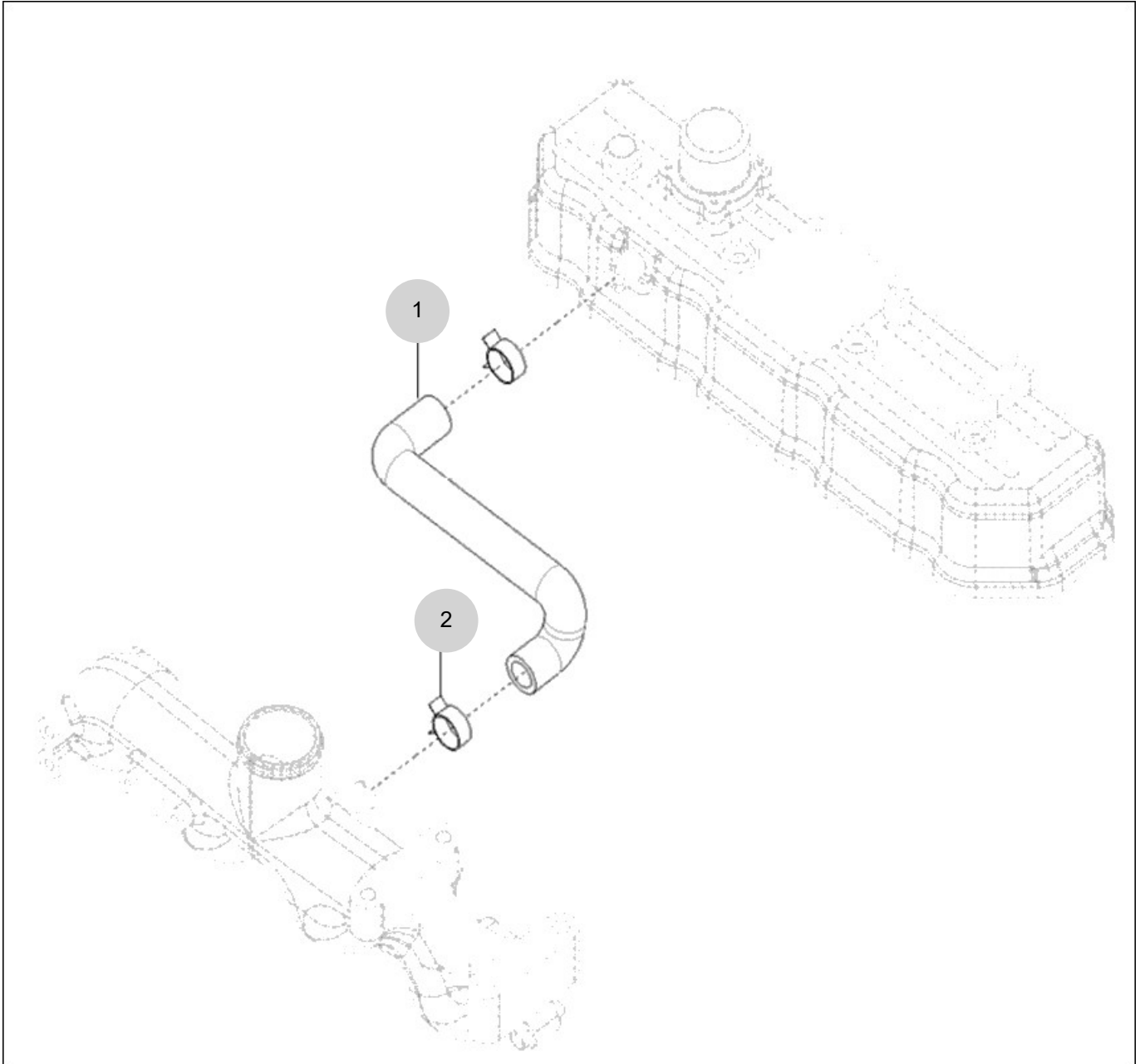
FIG 119B

BREATHER(T494)

년/월
Year/Month

2022-12

T495STEU1



NOTE

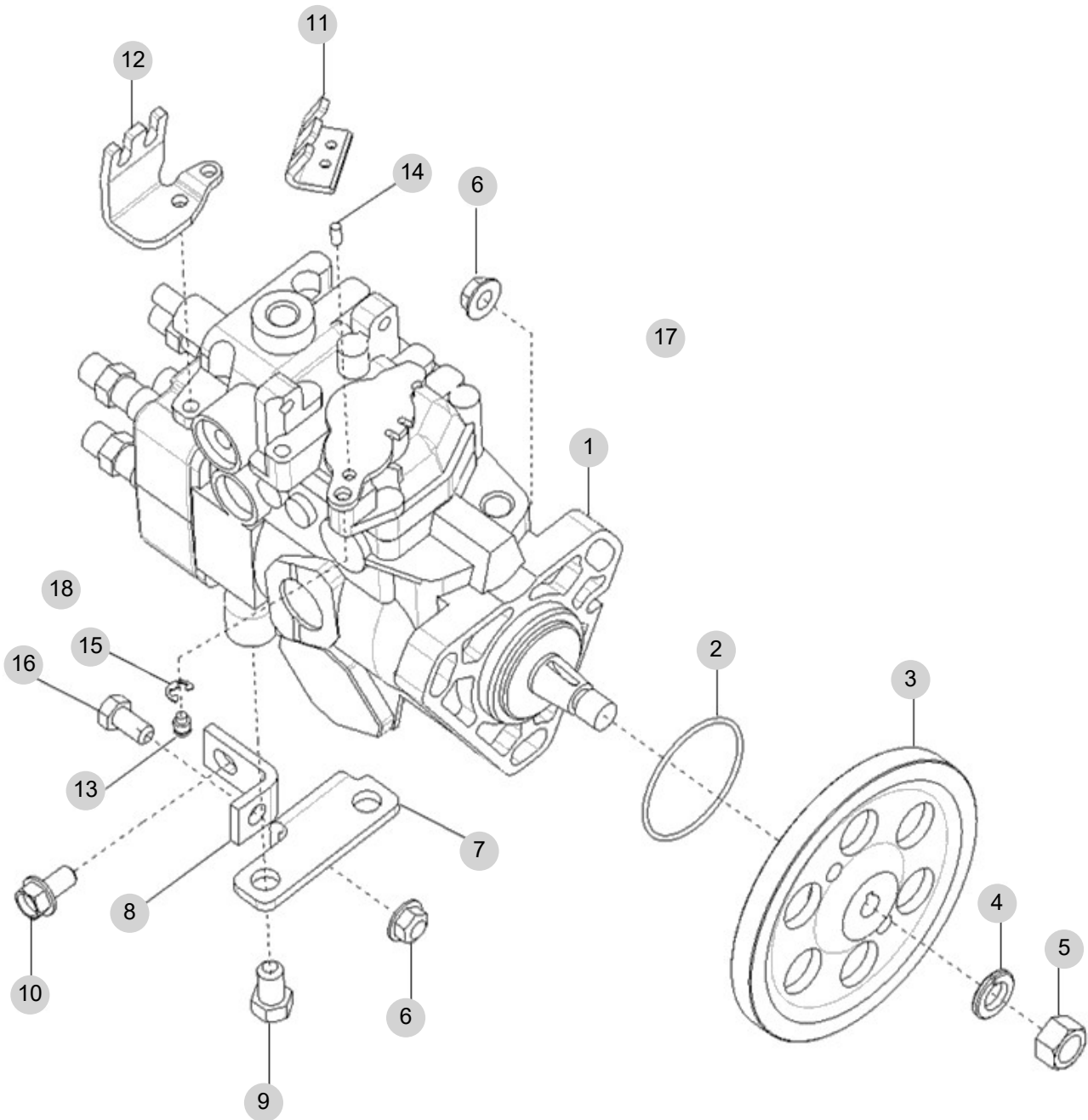
FIG 120

FUEL INJECTION PUMP

년/월
Year/Month

2022-12

T495STEU1



NOTE

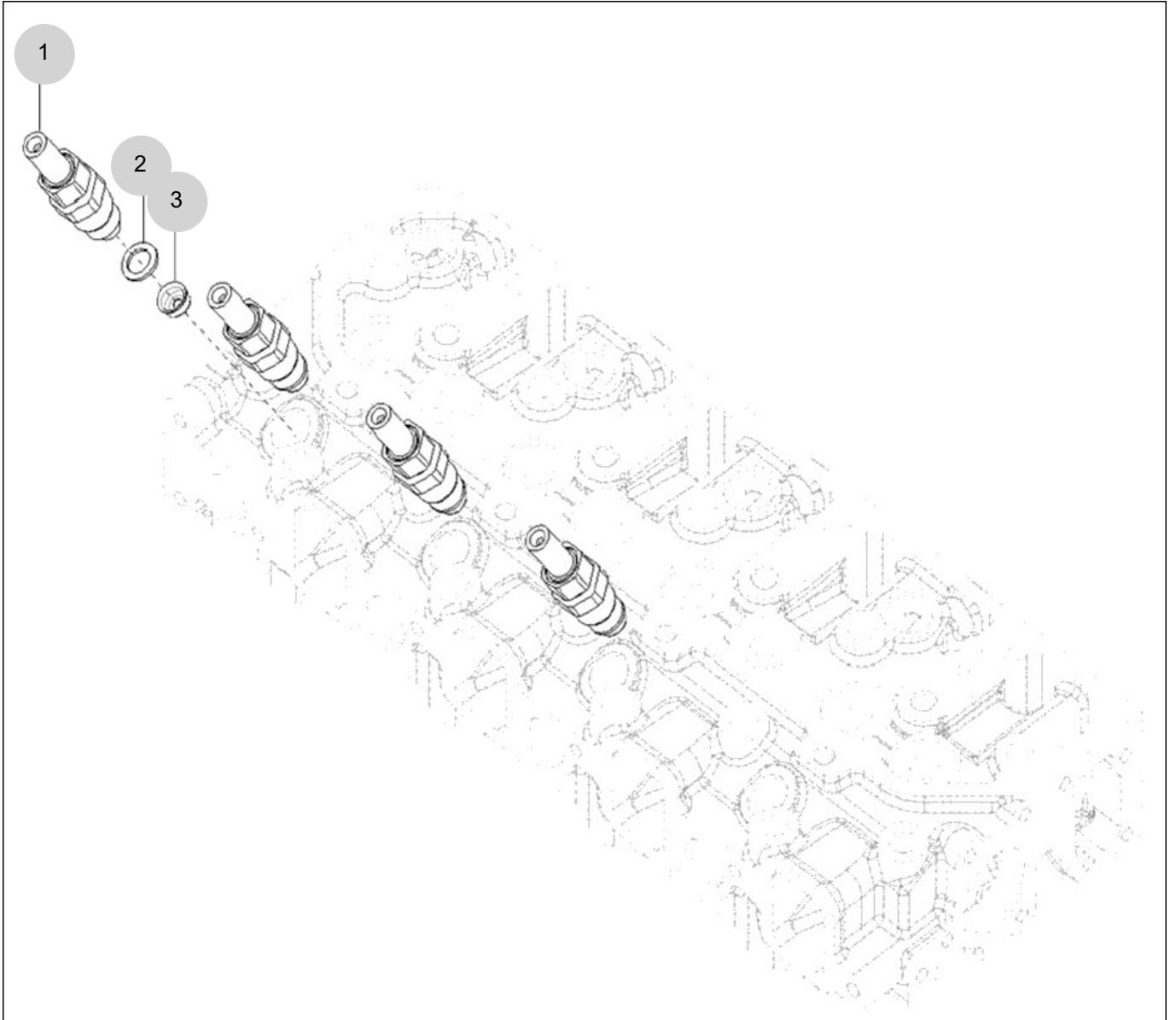
FIG 121

FUEL INJECTION VALVE

년/월
Year/Month

T495STEU1

2022-12



NOTE

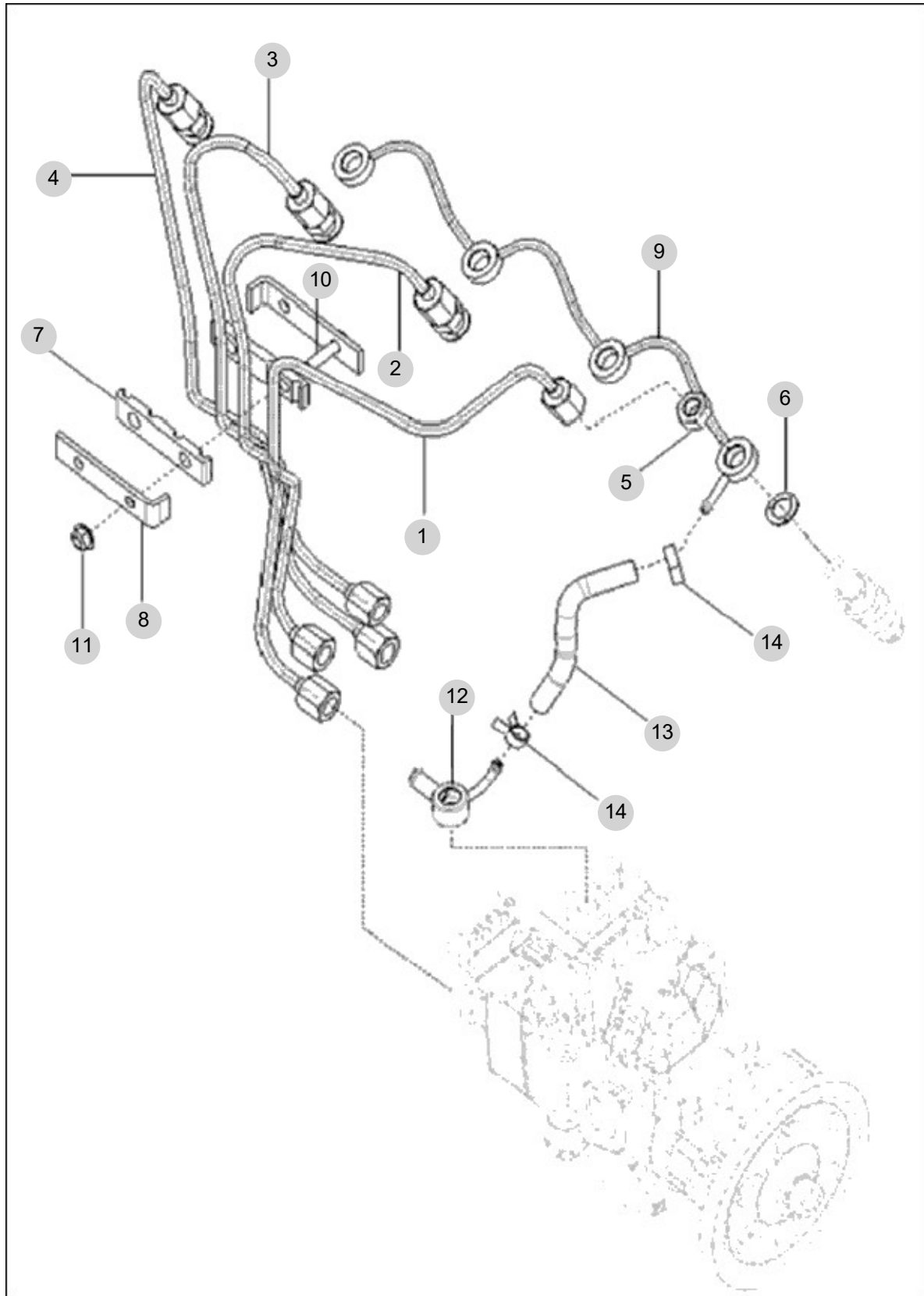
FIG 122

FUEL PIPE ASS'Y

년/월
Year/Month

2022-12

T495STEU1



NOTE

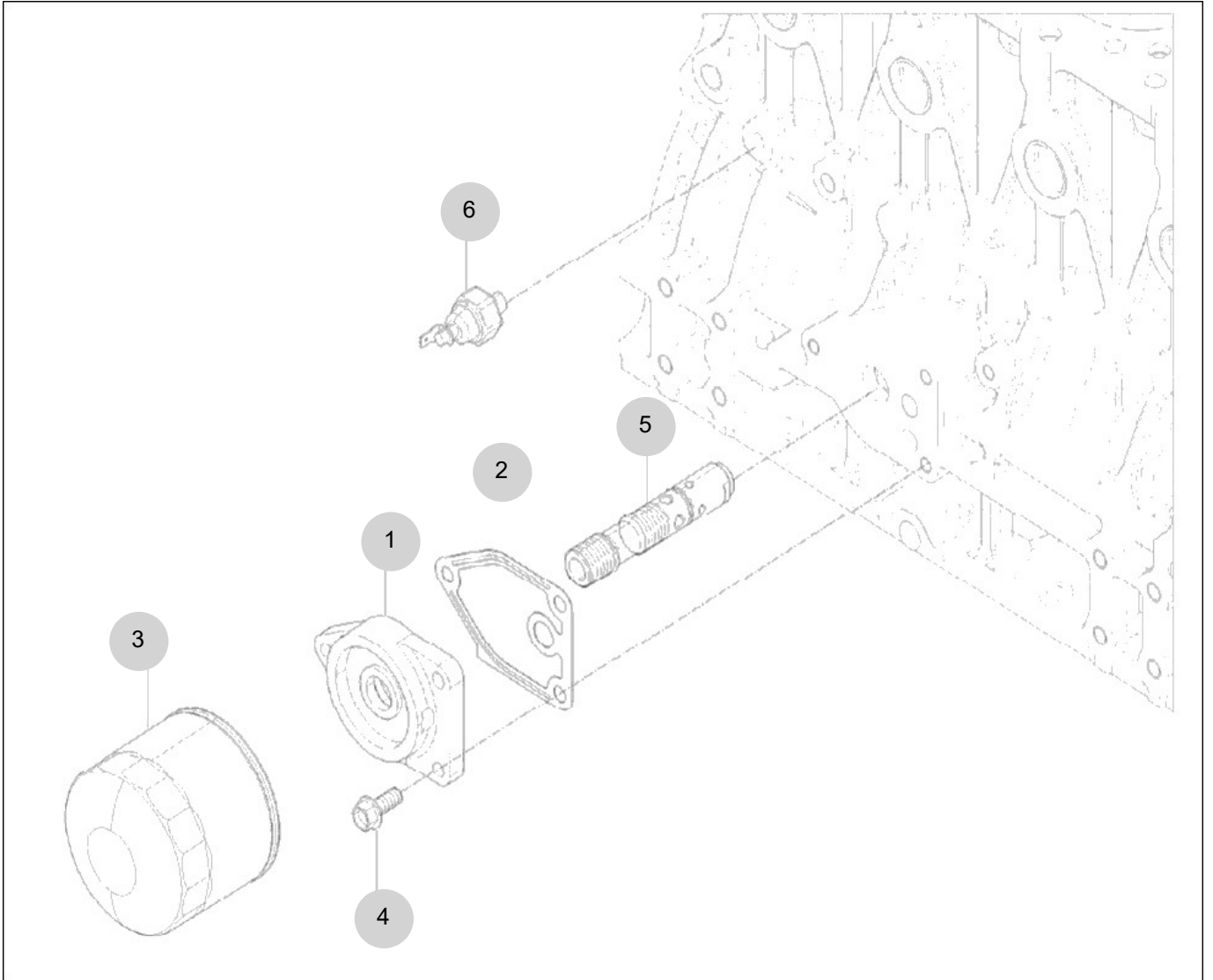
FIG 123

T495STEU1

OIL FILTER

년/월
Year/Month

2022-12



NOTE

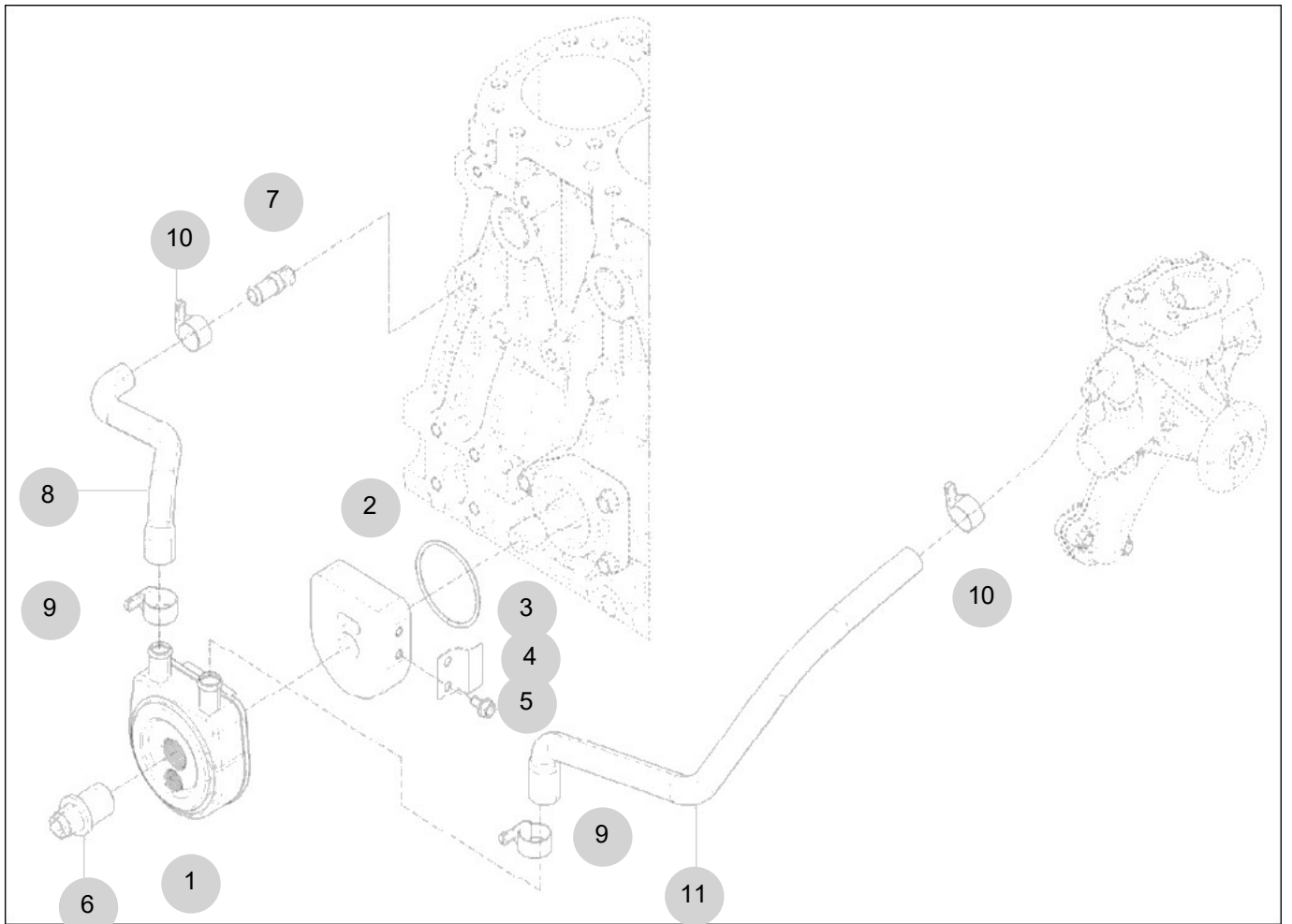
FIG 124

OIL COOLER

년/월
Year/Month

T495STEU1

2022-12



NOTE

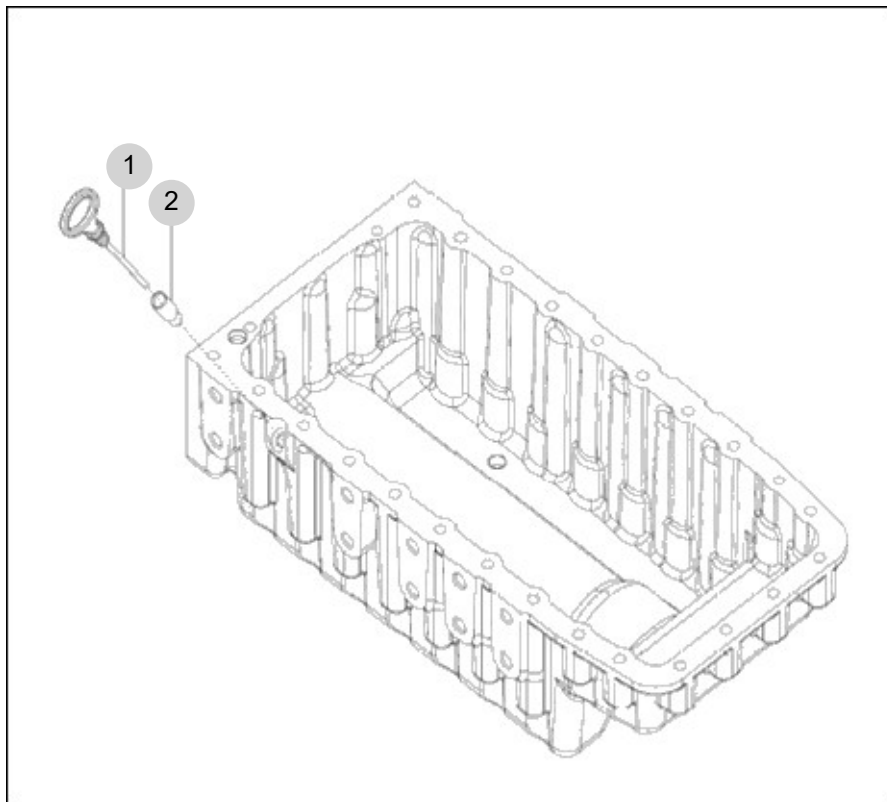
FIG 125

OIL GAUGUE

년/월
Year/Month

2022-12

T495STEU1



NOTE

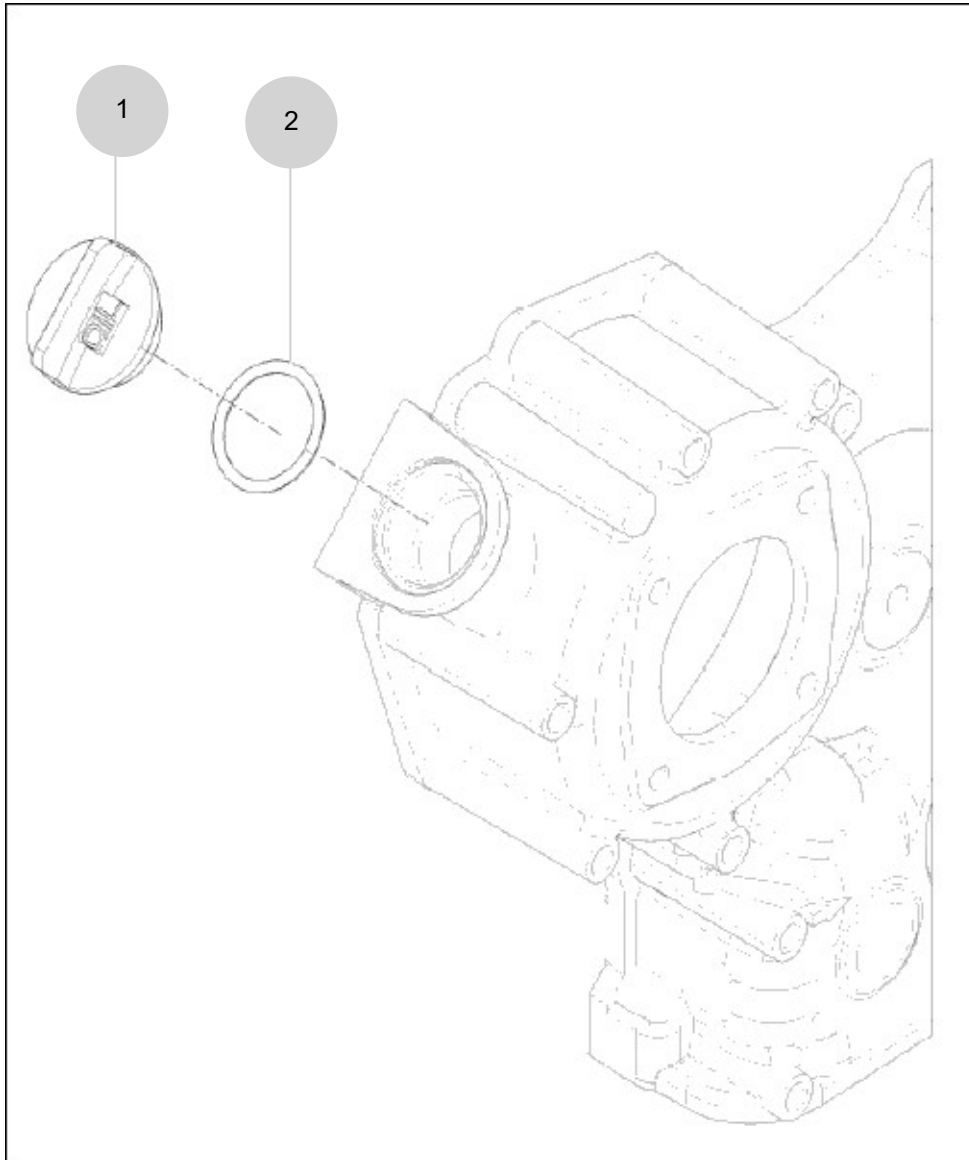
FIG 126

T495STEU1

OIL FILLER CAP

년/월
Year/Month

2022-12



NOTE

FIG 126 T495STEU1		OIL FILLER CAP						년/월 Year/Month	
								2022-12	
KEY NO	PART NO	DESCRIPTION	SPEC	QTY	REPAIR	EFFECTIVE DATE	REMARKS		
126	1	HC03470000B	급유구(HC03470000B4로 주문변경)	1					
126	2	24311-000320	운동용O링	1					
NOTE									

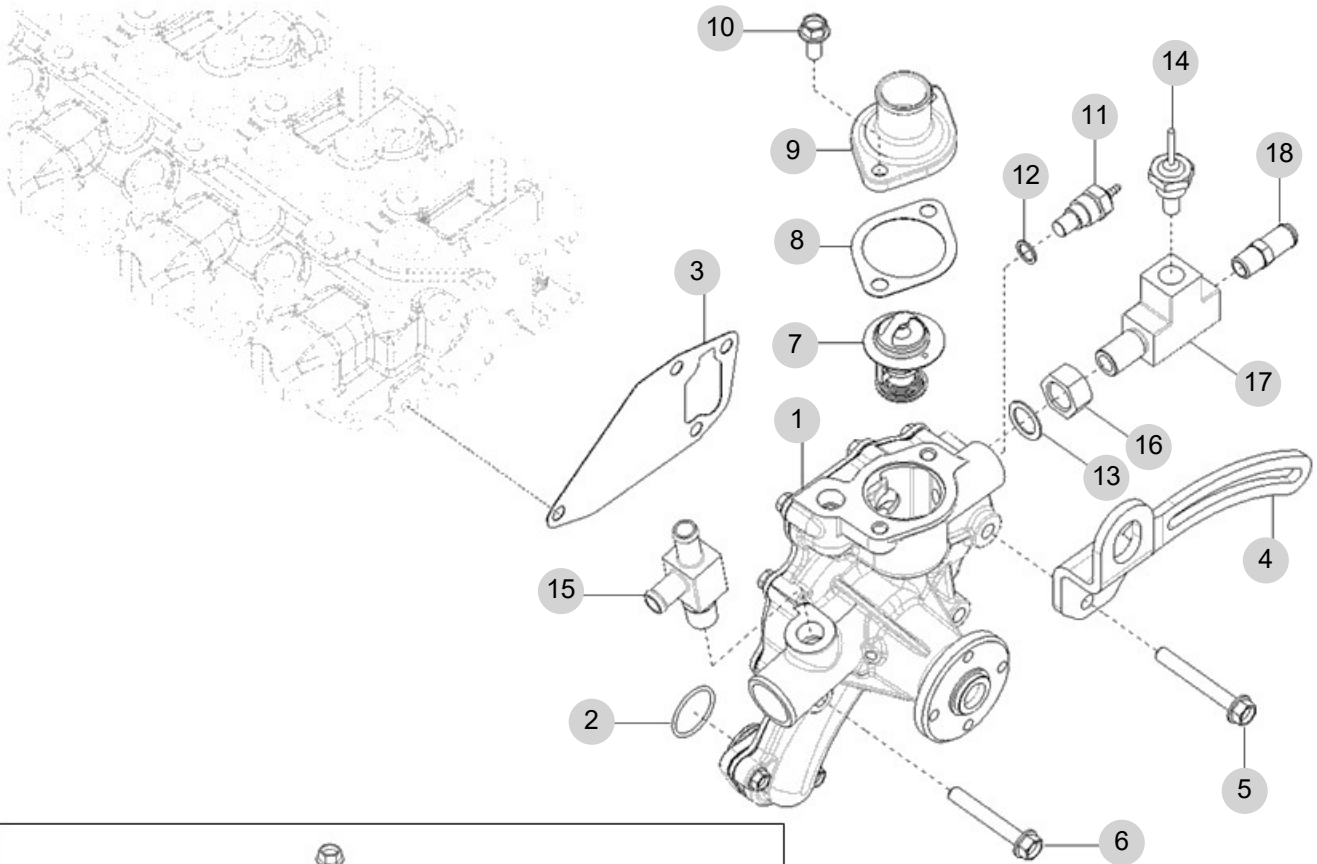
FIG 127

COOLING WATER PUMP

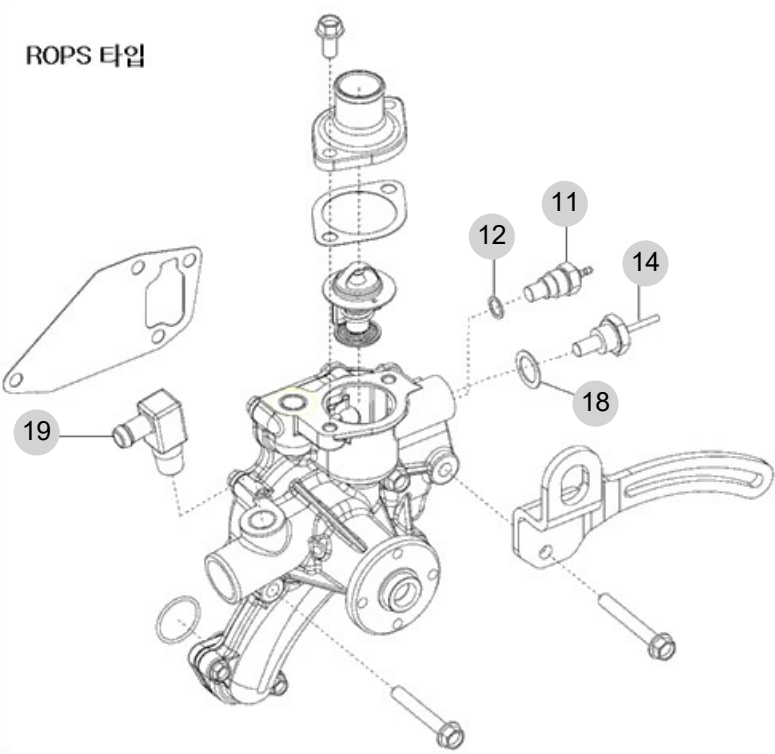
년/월
Year/Month

2022-12

T495STEU1



ROPS 타입



NOTE

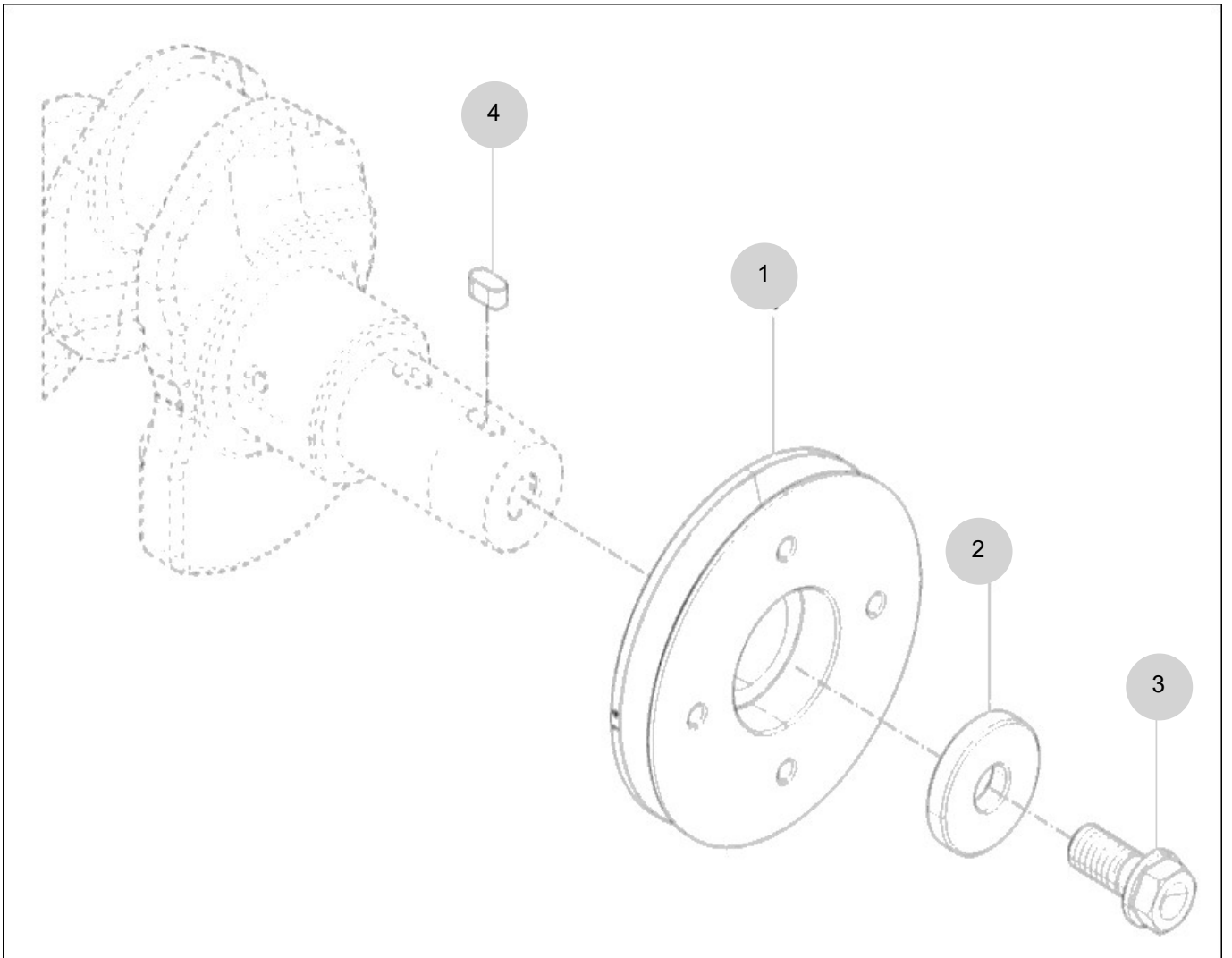
FIG 128

T495STEU1

CRANK SHAFT PULLEY

년/월
Year/Month

2022-12



NOTE

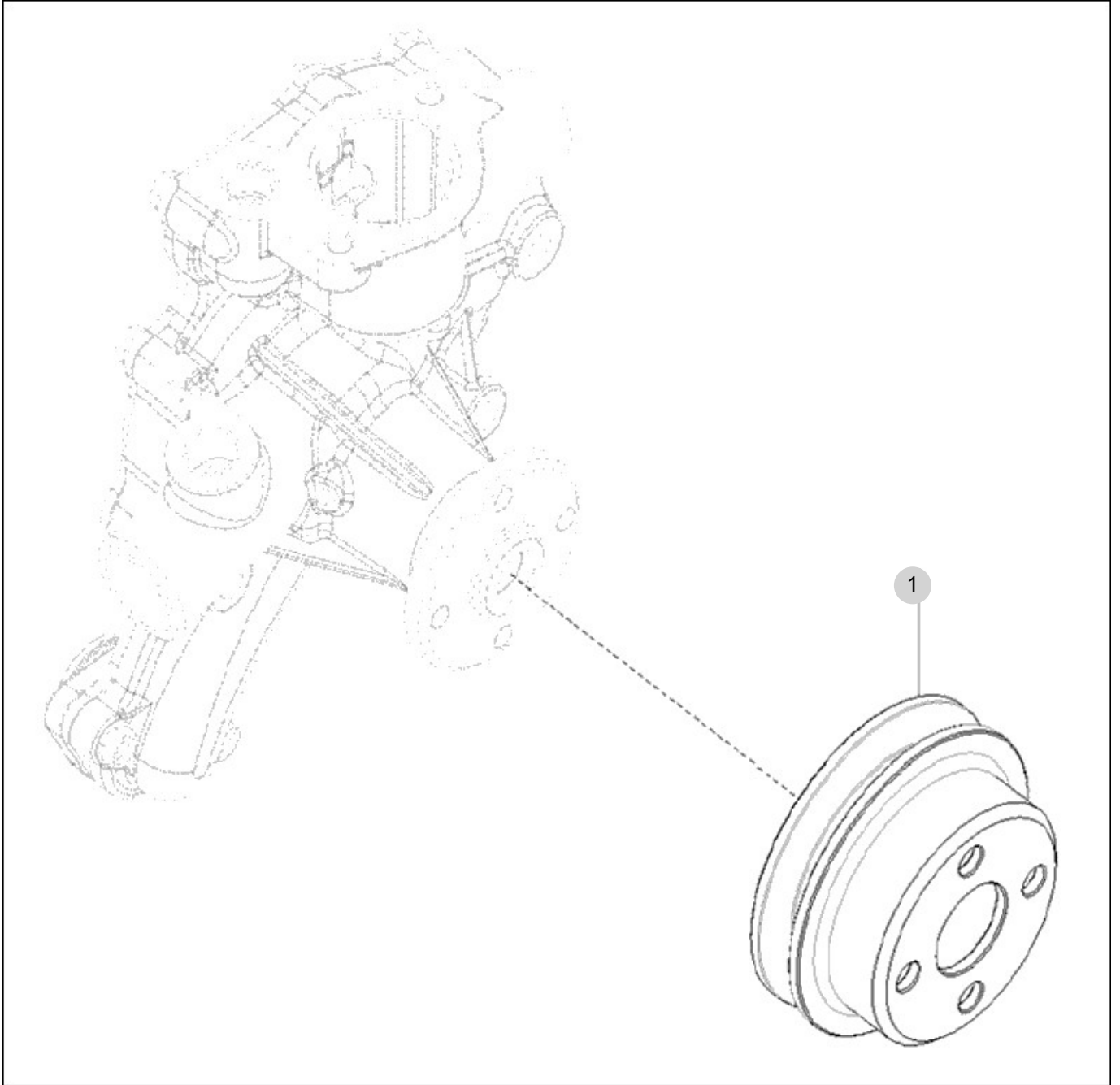
FIG 129

V-PULLEY

년/월
Year/Month

2022-12

T495STEU1



NOTE

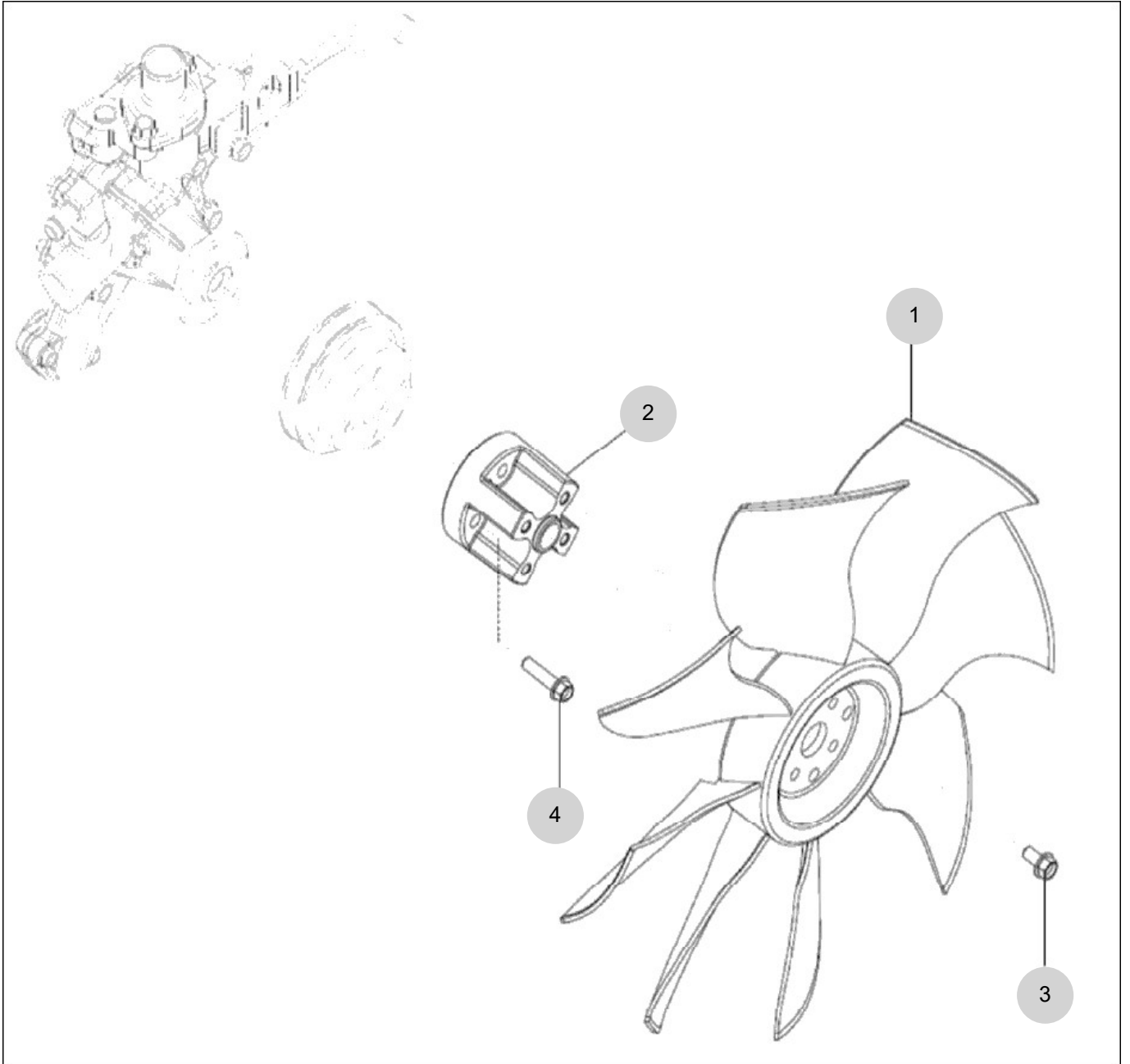
FIG 130

COOLING FAN

년/월
Year/Month

2022-12

T495STEU1



NOTE

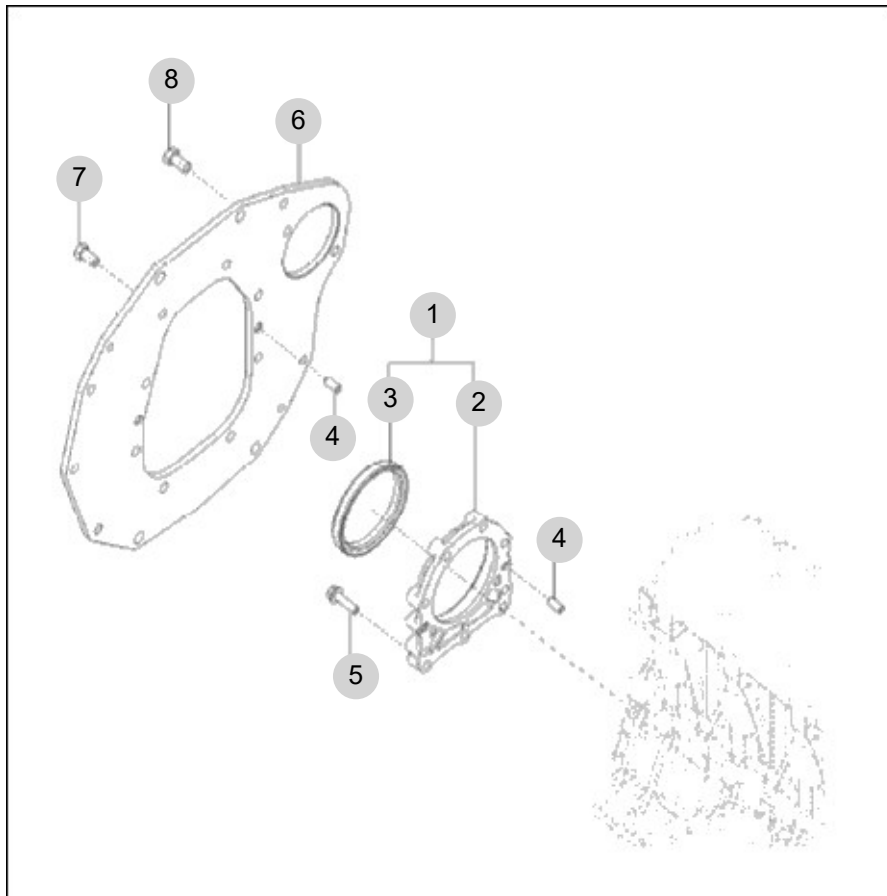
FIG 131

T495STEU1

FLYWHEEL HOUSING

년/월
Year/Month

2022-12



NOTE

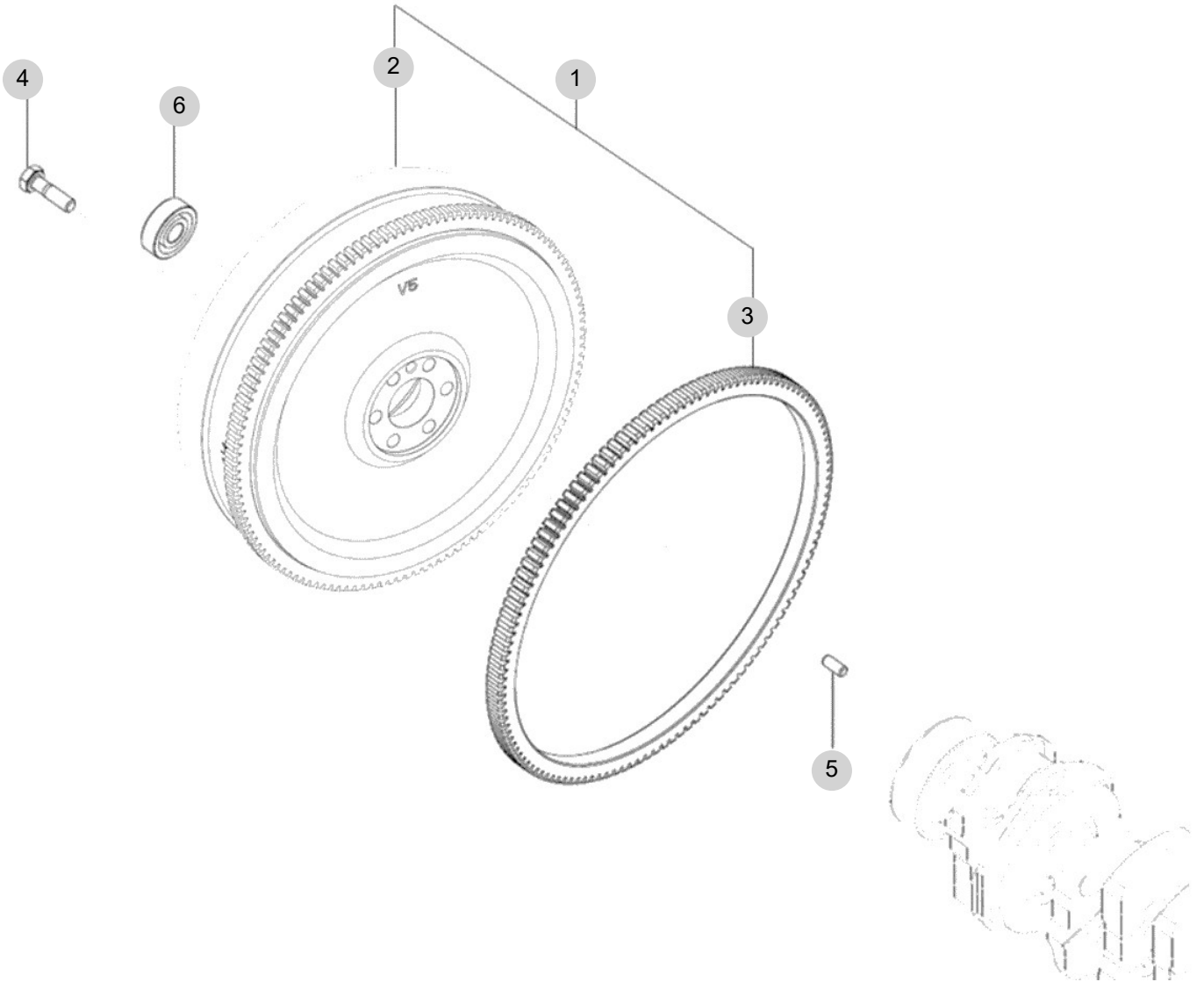
FIG 132

T495STEU1

FLYWHEEL

년/월
Year/Month

2022-12



NOTE

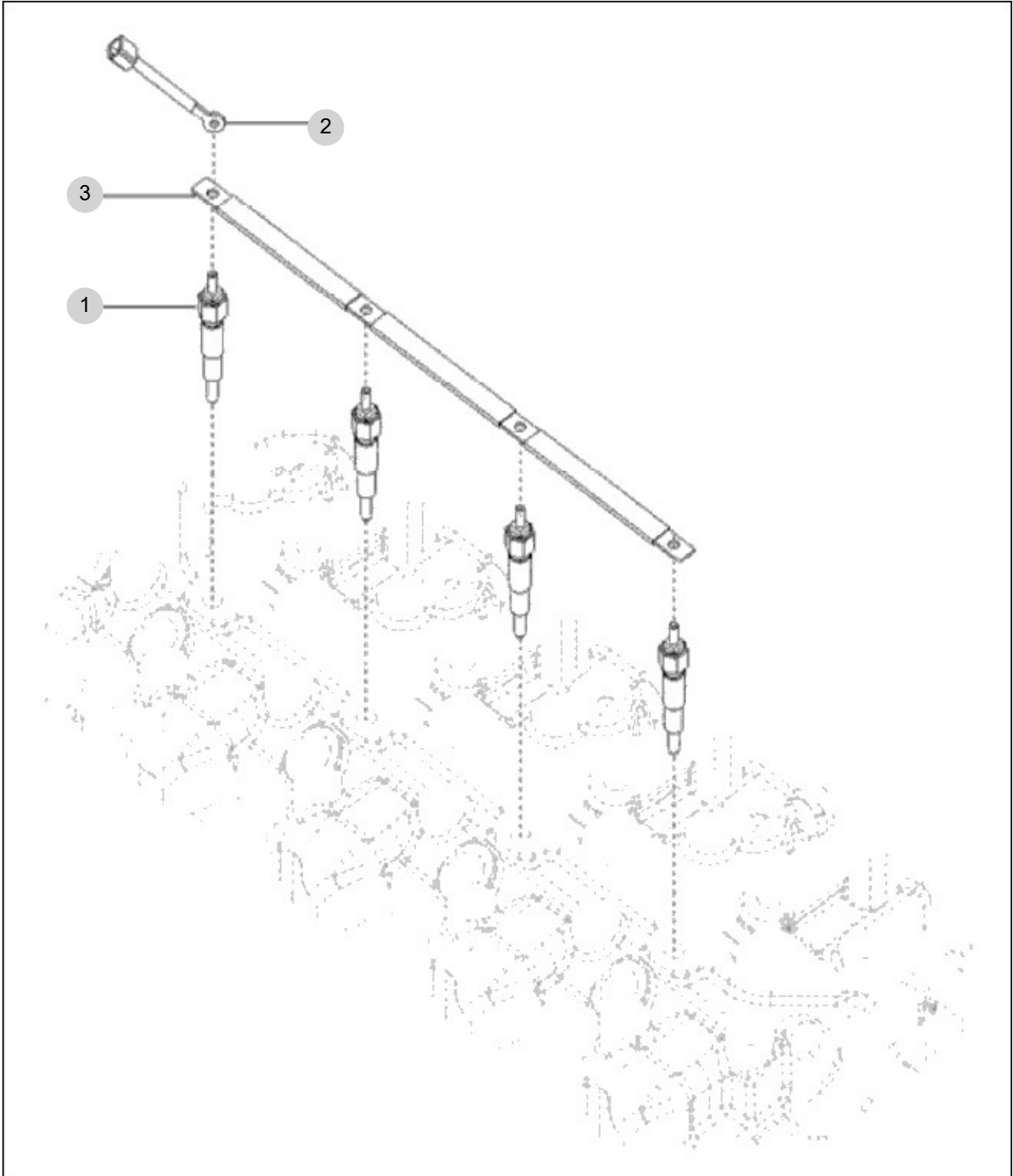
FIG 133

T495STEU1

GLOW PLUG ASS'Y OPTION

년/월
Year/Month

2022-12



NOTE

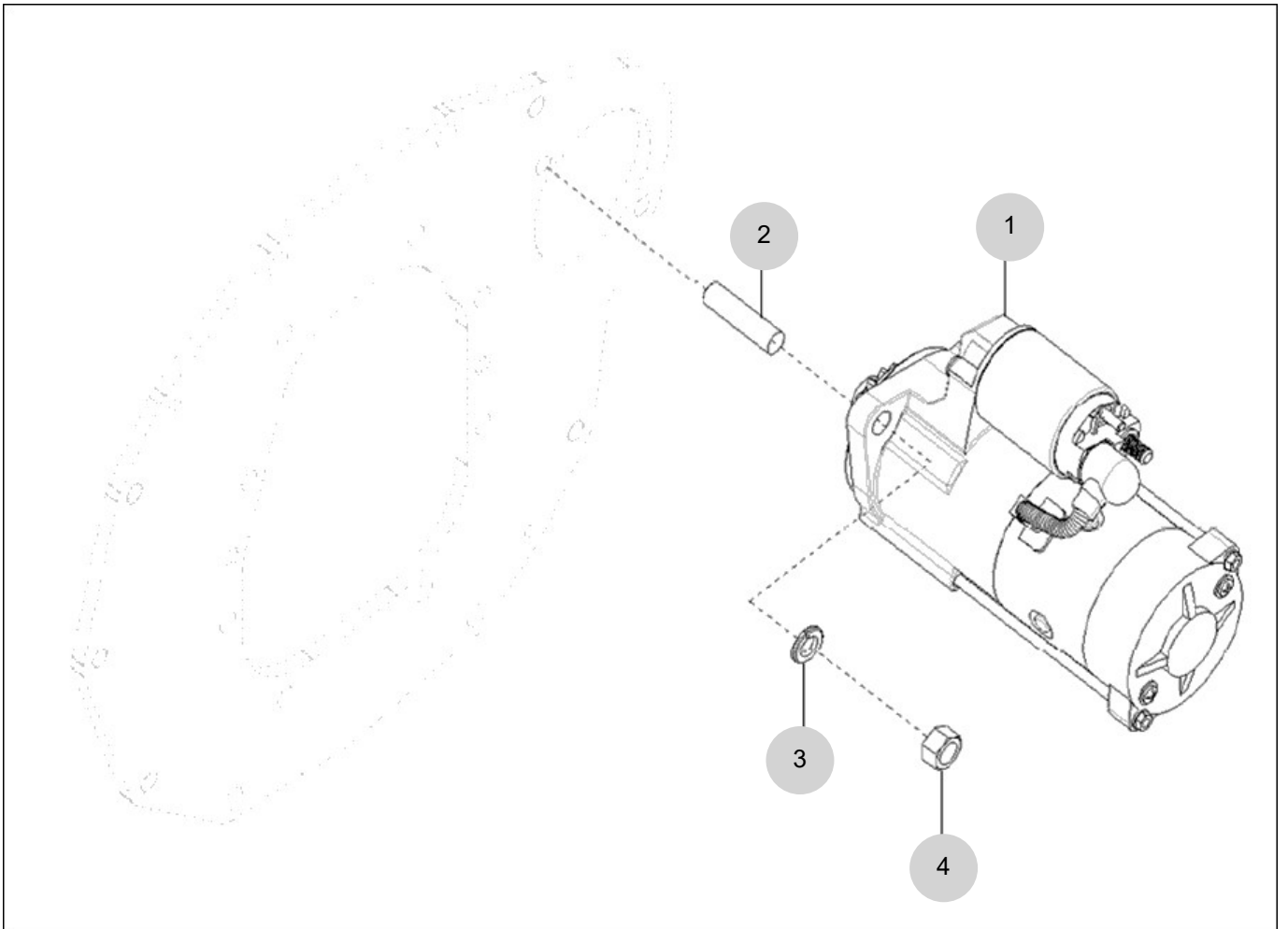
FIG 134

T495STEU1

STARTING MOTOR

년/월
Year/Month

2022-12



NOTE

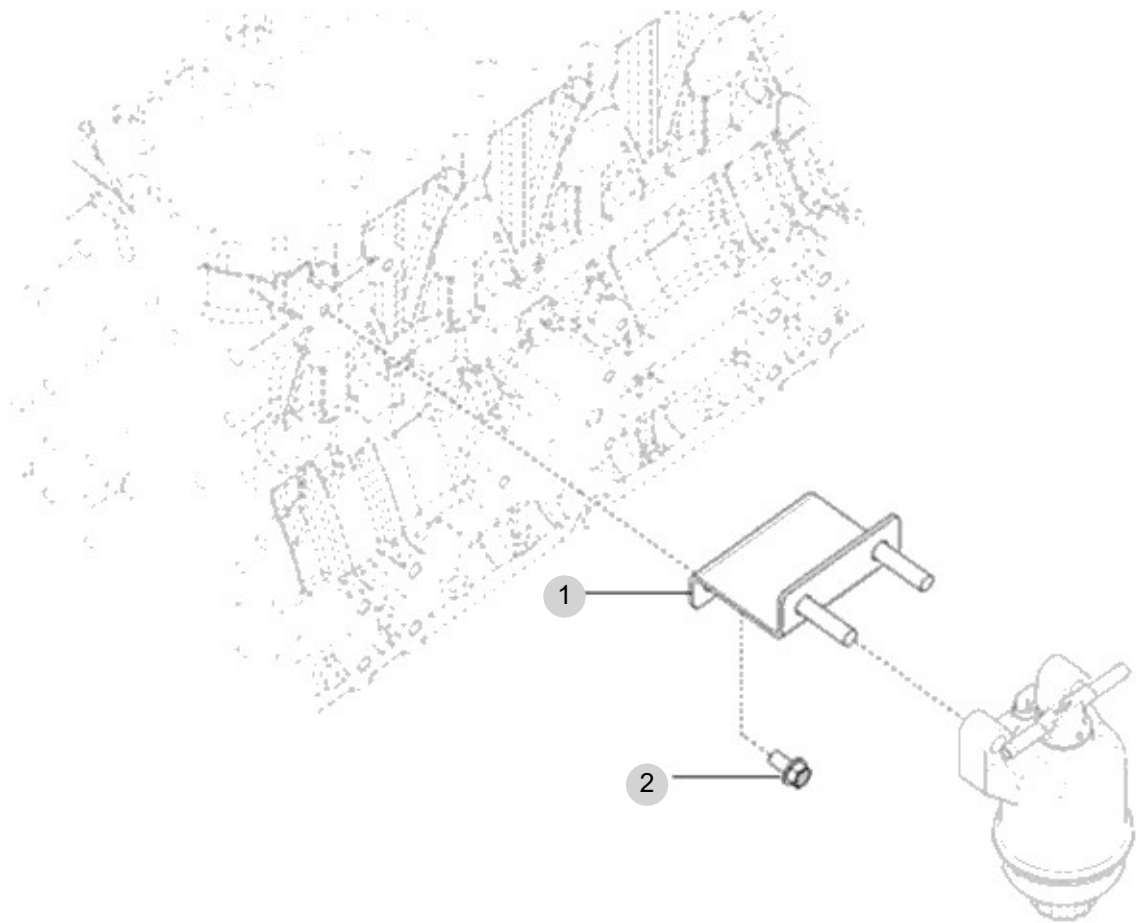
FIG 135

T495STEU1

FUEL FILTER BRACKET ASS'Y

년/월
Year/Month

2022-12



NOTE

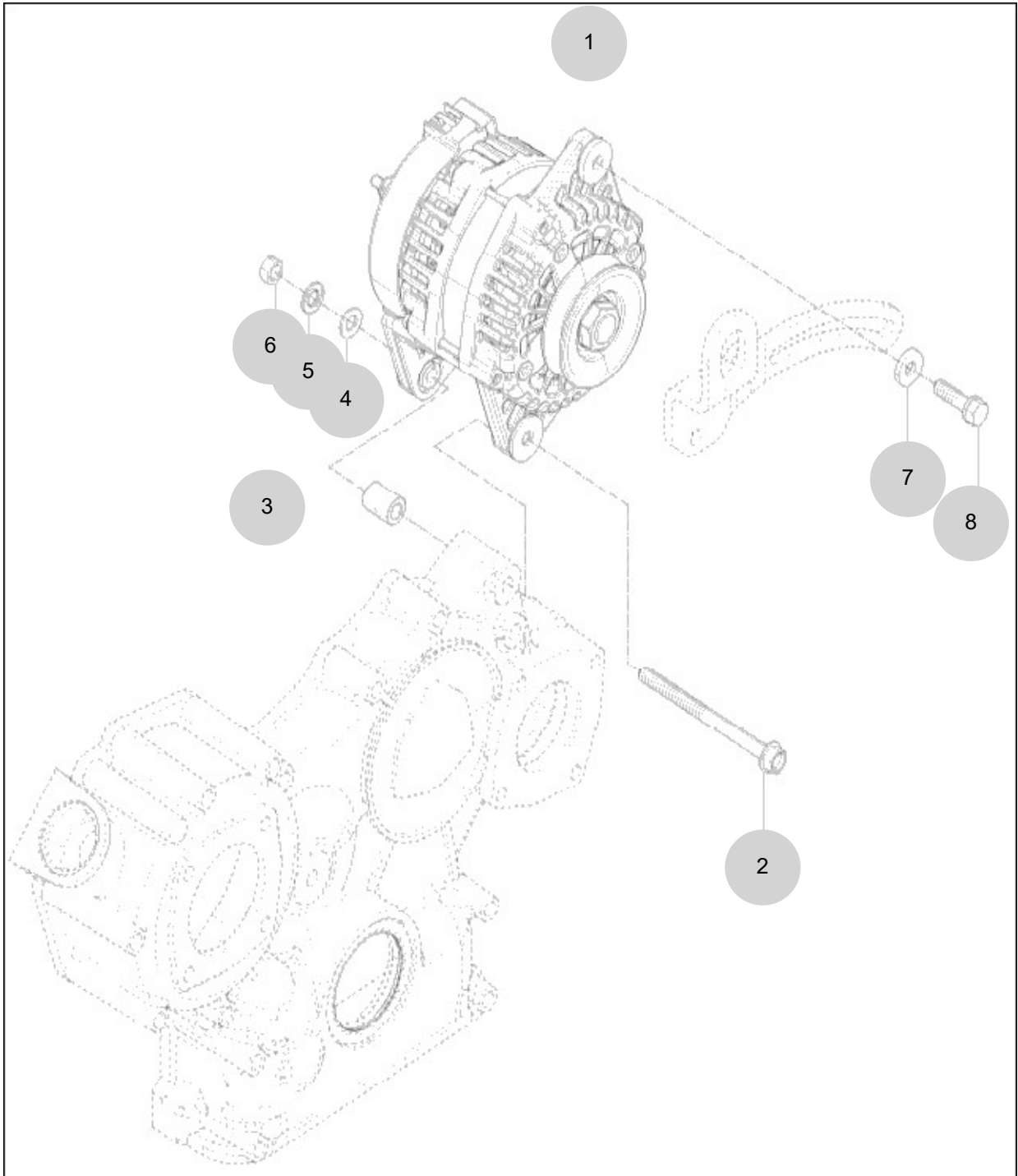
FIG 136

ALTERNATOR

년/월
Year/Month

2022-12

T495STEU1



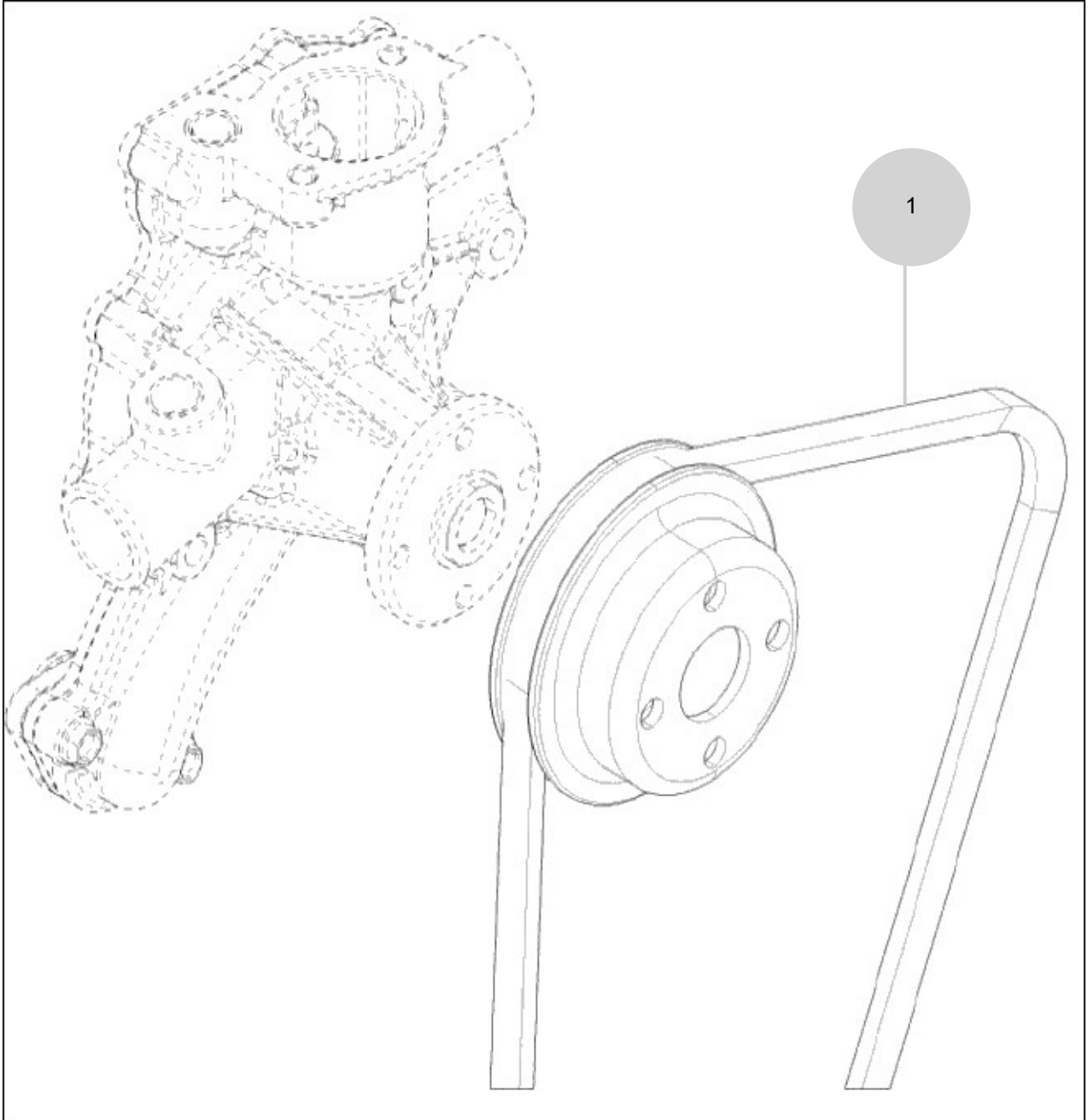
NOTE

FIG 137

V-BELT

년/월
Year/Month

2022-12



NOTE

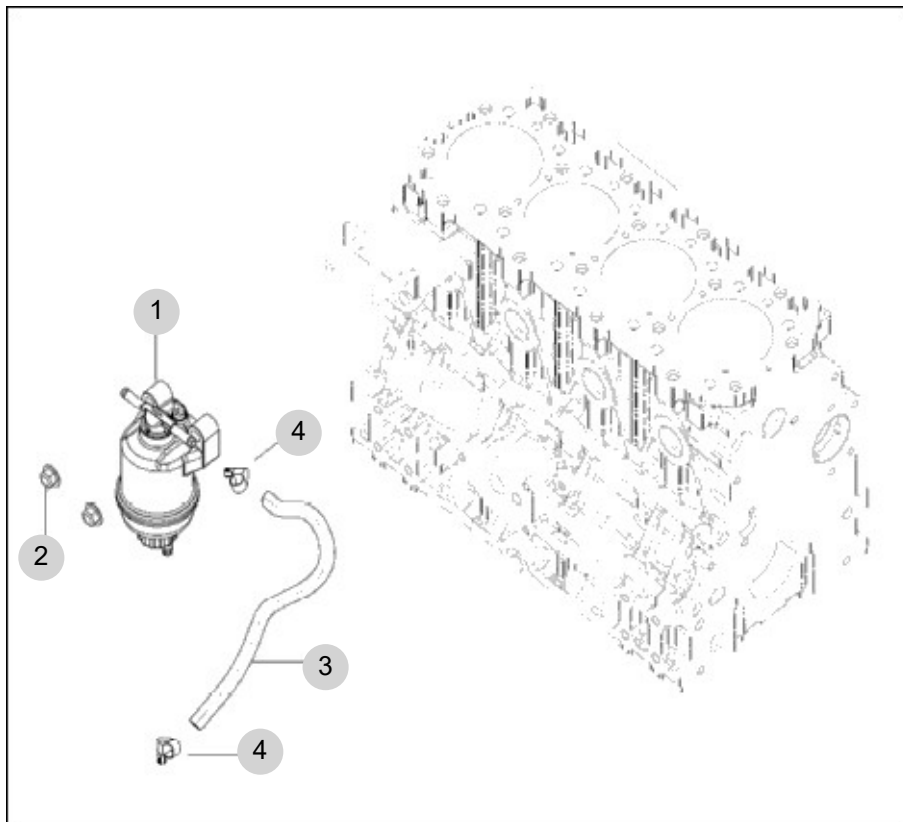
FIG 138

FUEL FILTER

년/월
Year/Month

2022-12

T495STEU1



NOTE

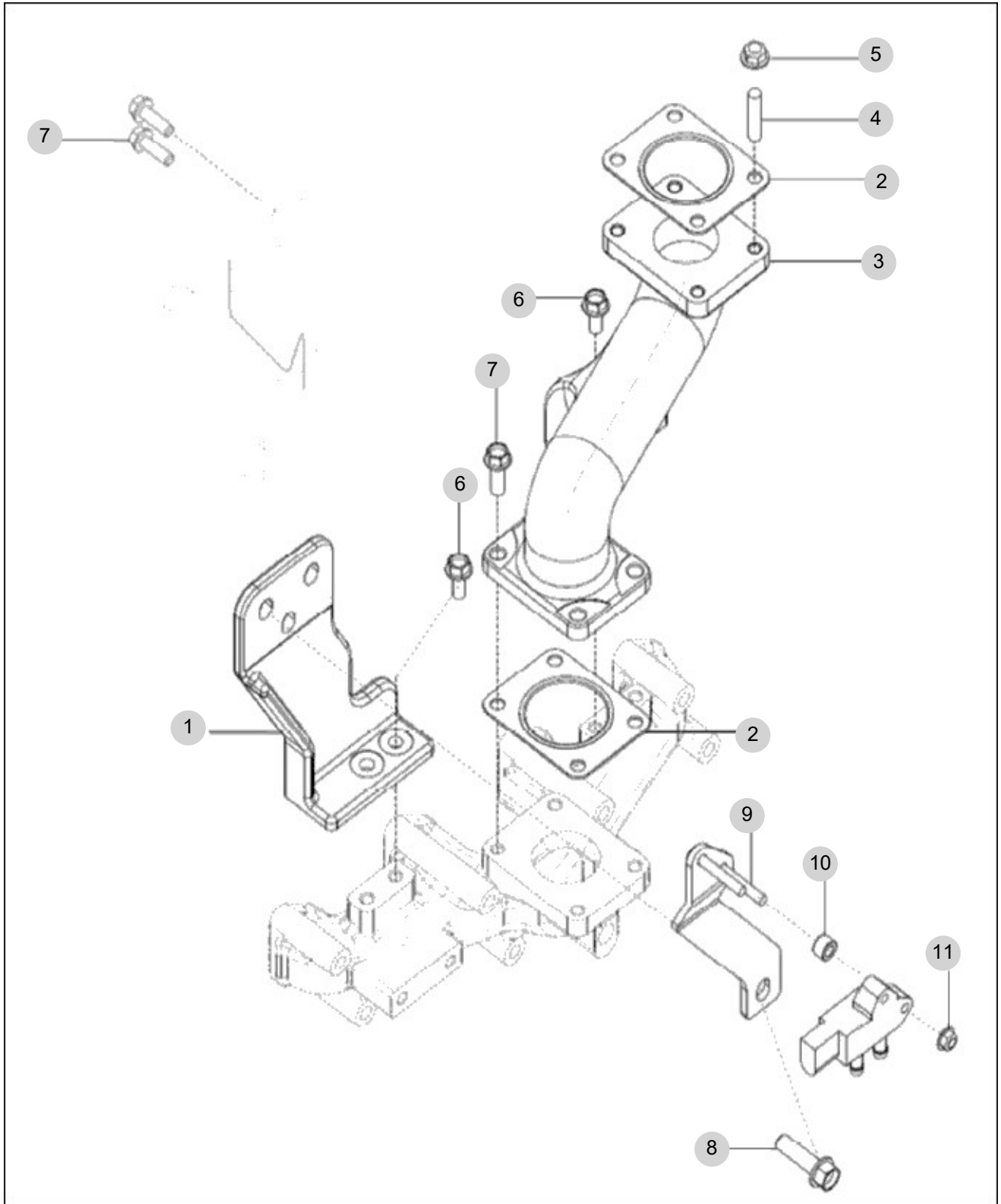
FIG 139B

DPF SUPPORT (T494)

년/월
Year/Month

2022-12

T495STEU1



NOTE

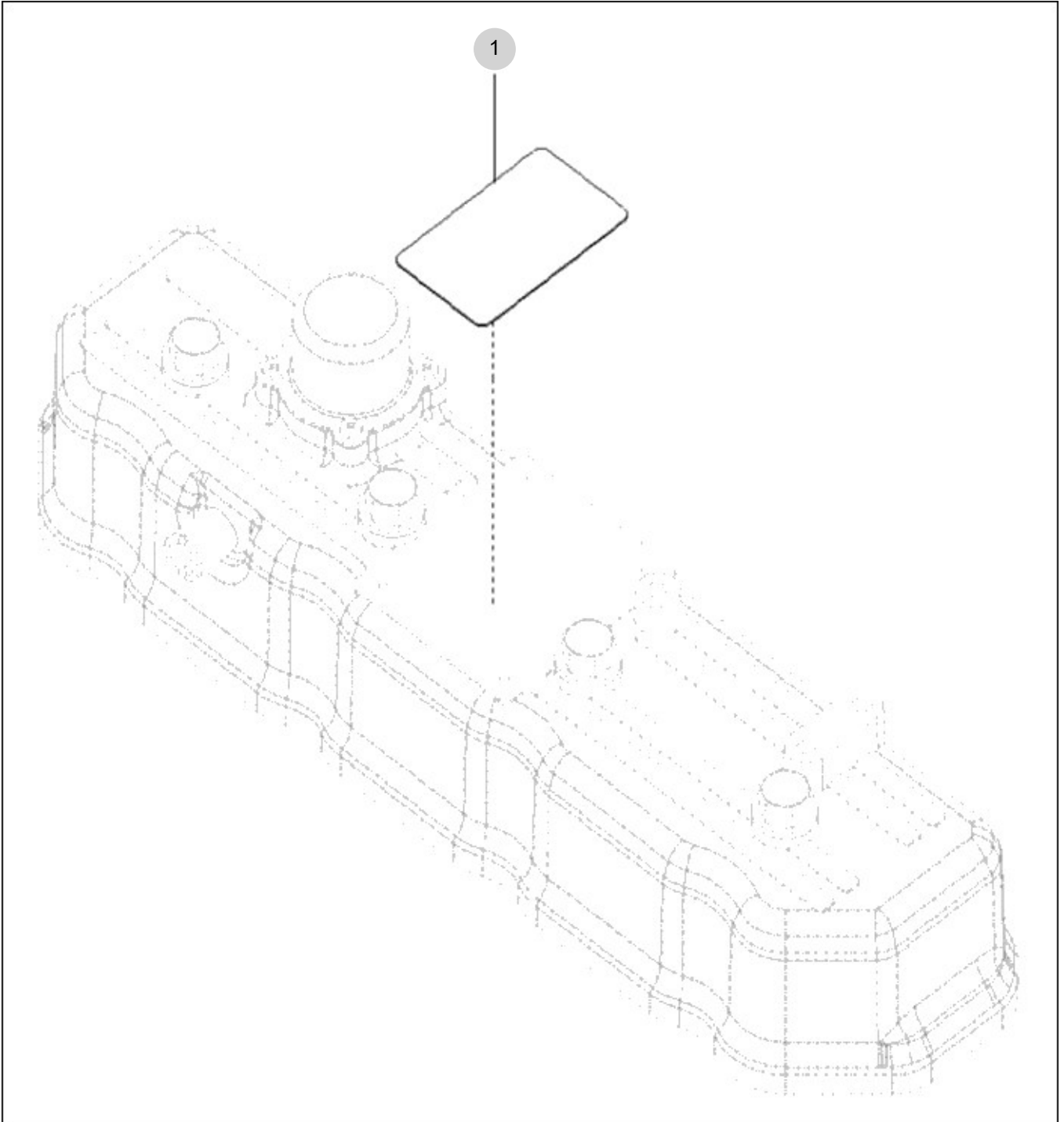
FIG 140

T495STEU1

DATAPLATE

년/월
Year/Month

2022-12



NOTE

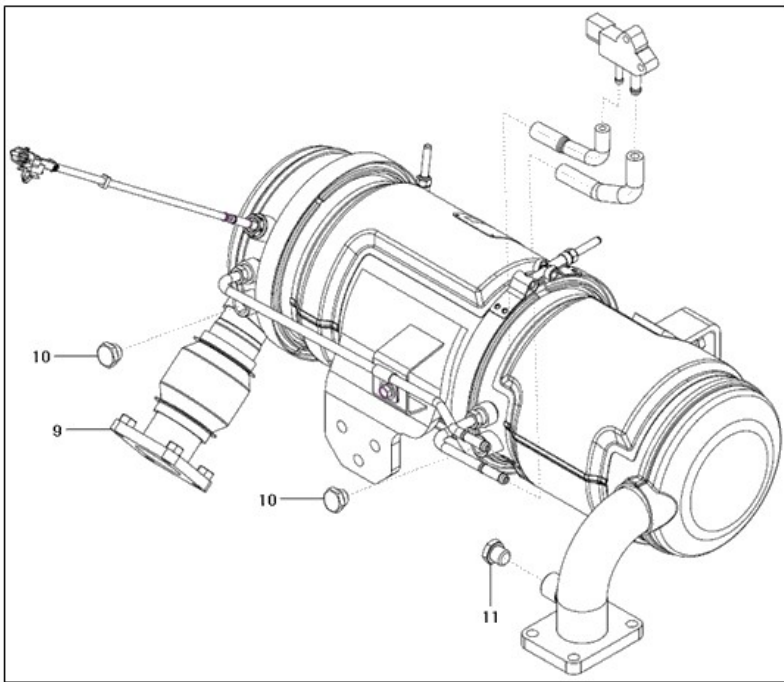
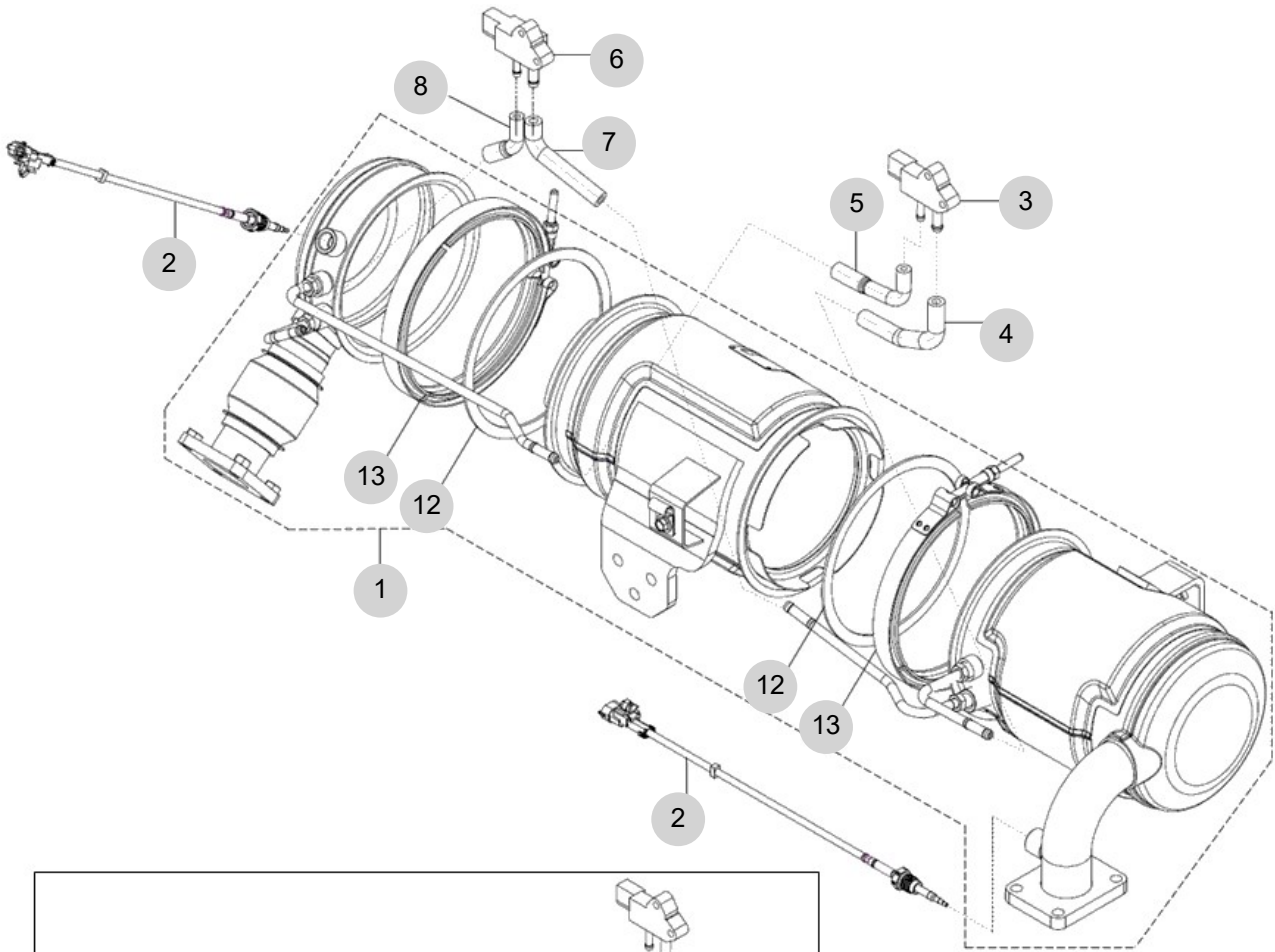
FIG 142B

DPF ASS'Y (T494)

년/월
Year/Month

2022-12

T495STEU1



NOTE

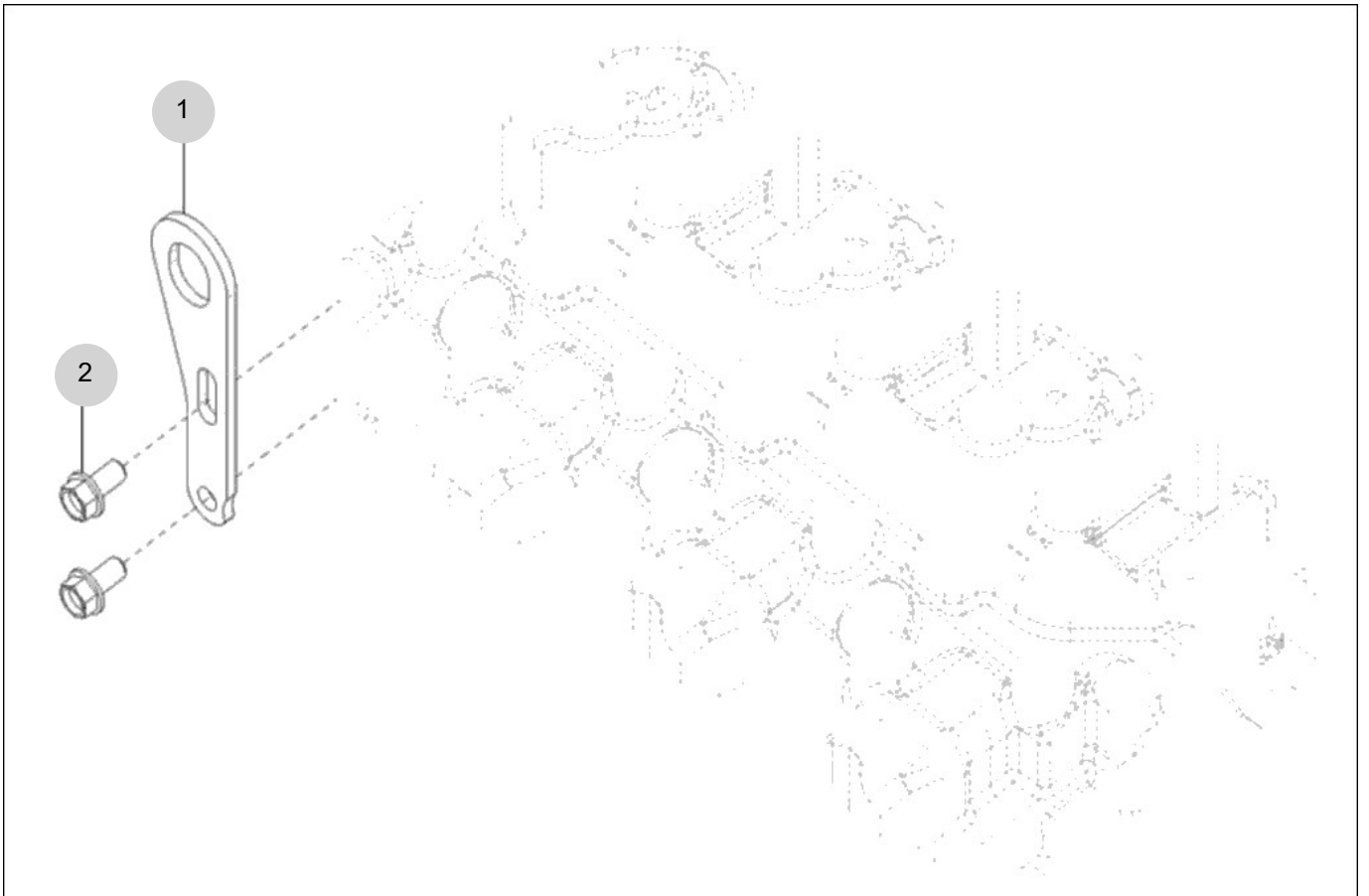
FIG 143

LIFT ASS'Y

년/월
Year/Month

2022-12

T495STEU1



NOTE

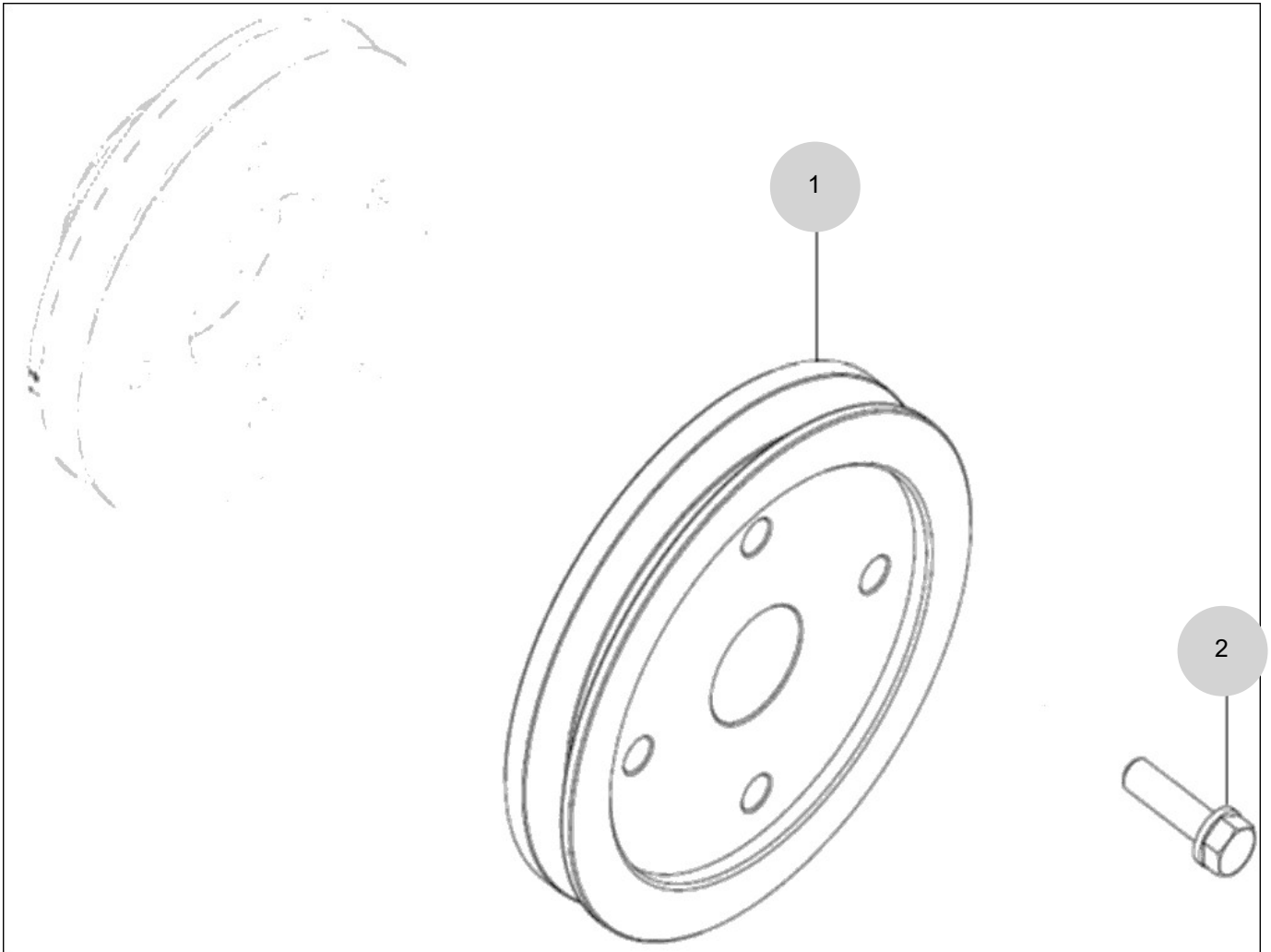
FIG 144

COMP . DRIVE PULLEY ASS'Y OPTION

년/월
Year/Month

2022-12

T495STEU1



NOTE

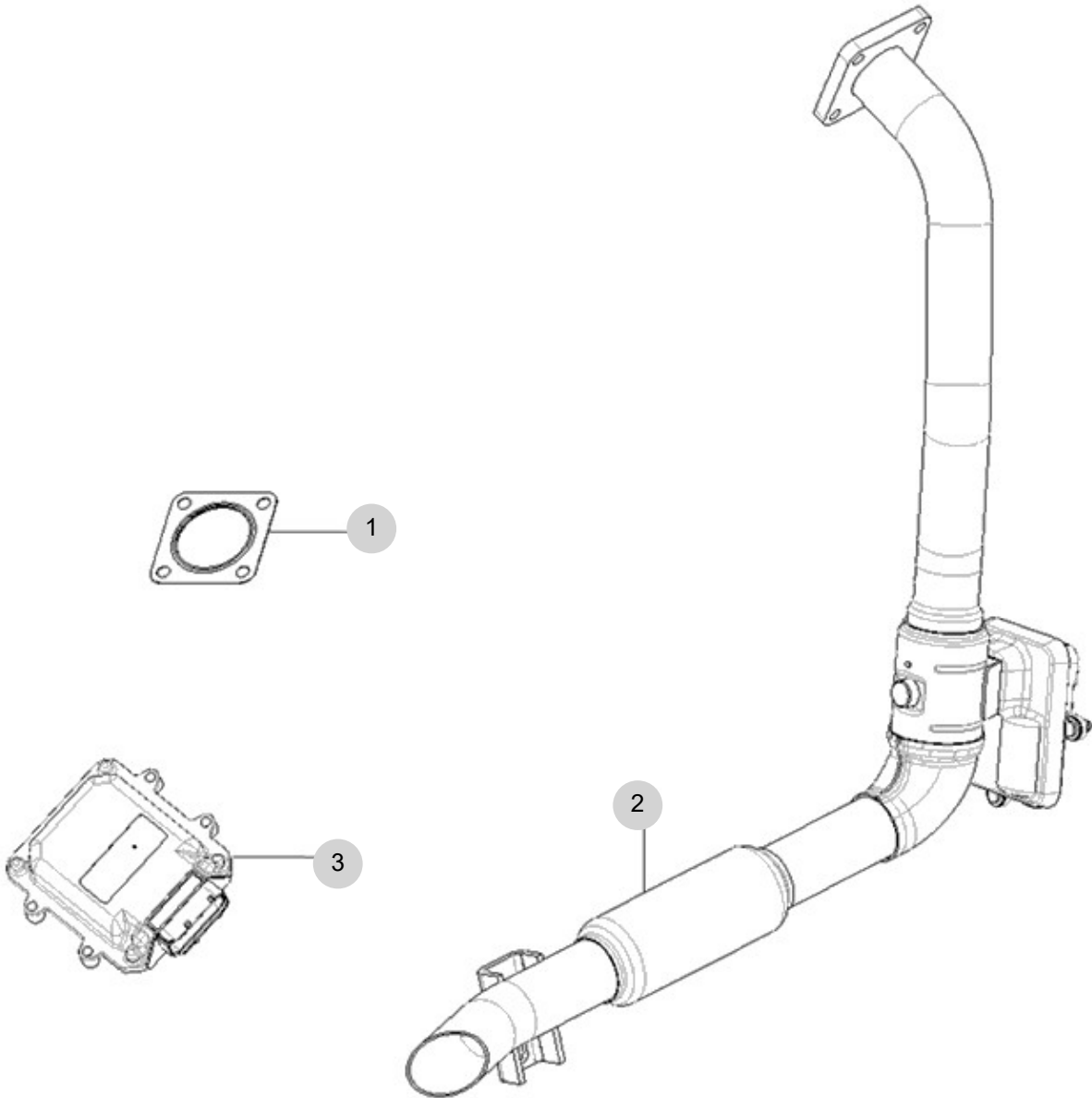
FIG 147

T495STEU1

LOOSED PARTS

년/월
Year/Month

2022-12



NOTE

2. 엔진보기품 PART NO. T2

FIG 201B AIR CLEANER(T495)	100
FIG 202 RADIATOR	102
FIG 203 MUFFLER	104
FIG 204 FUEL HOSE & FILTER	106
FIG 205 FUEL TANK	108
FIG 206 ACCELERATOR	110

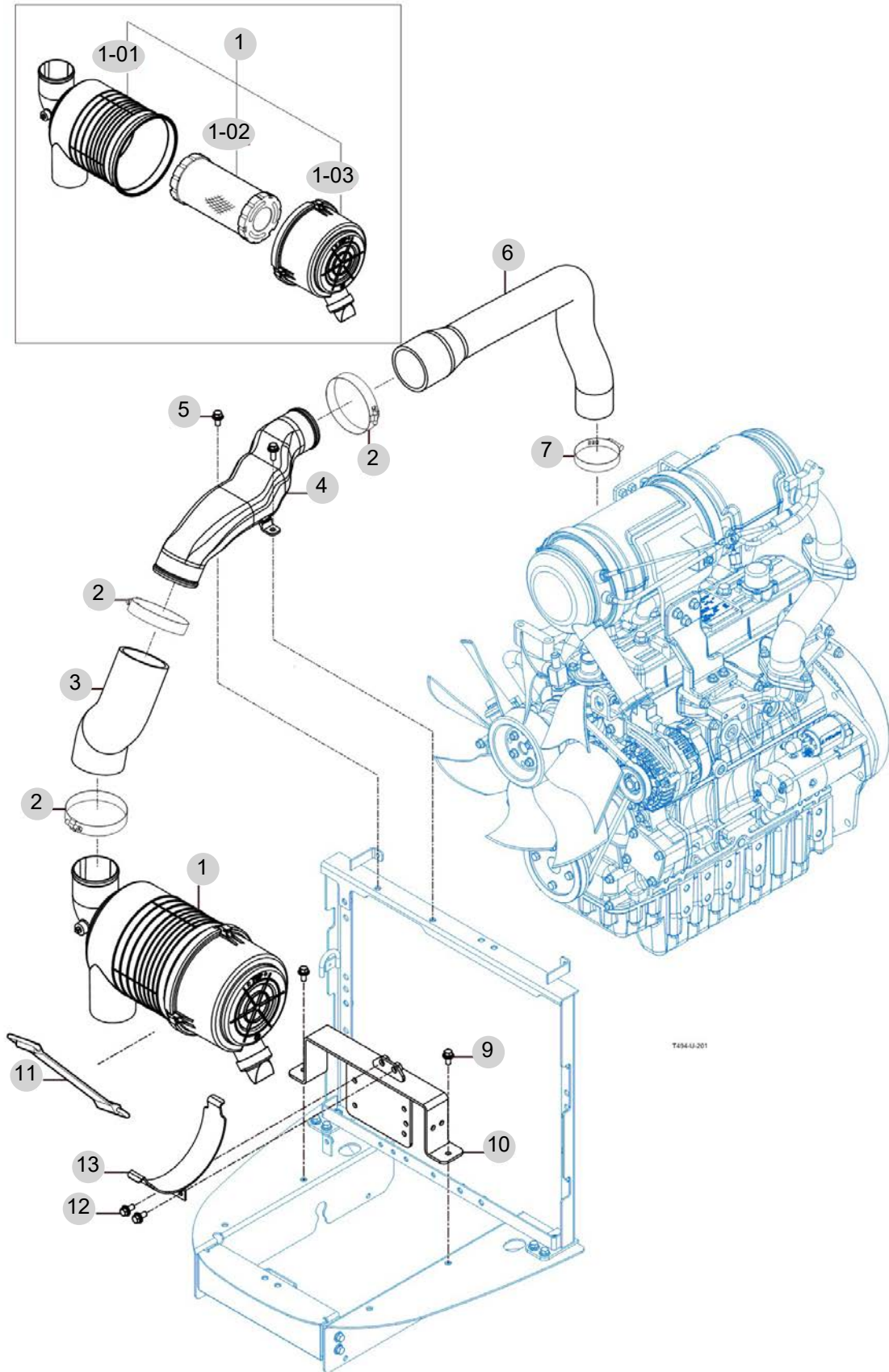
FIG 201B

AIR CLEANER(T495)

년/월
Year/Month

2022-12

T495STEU1



NOTE

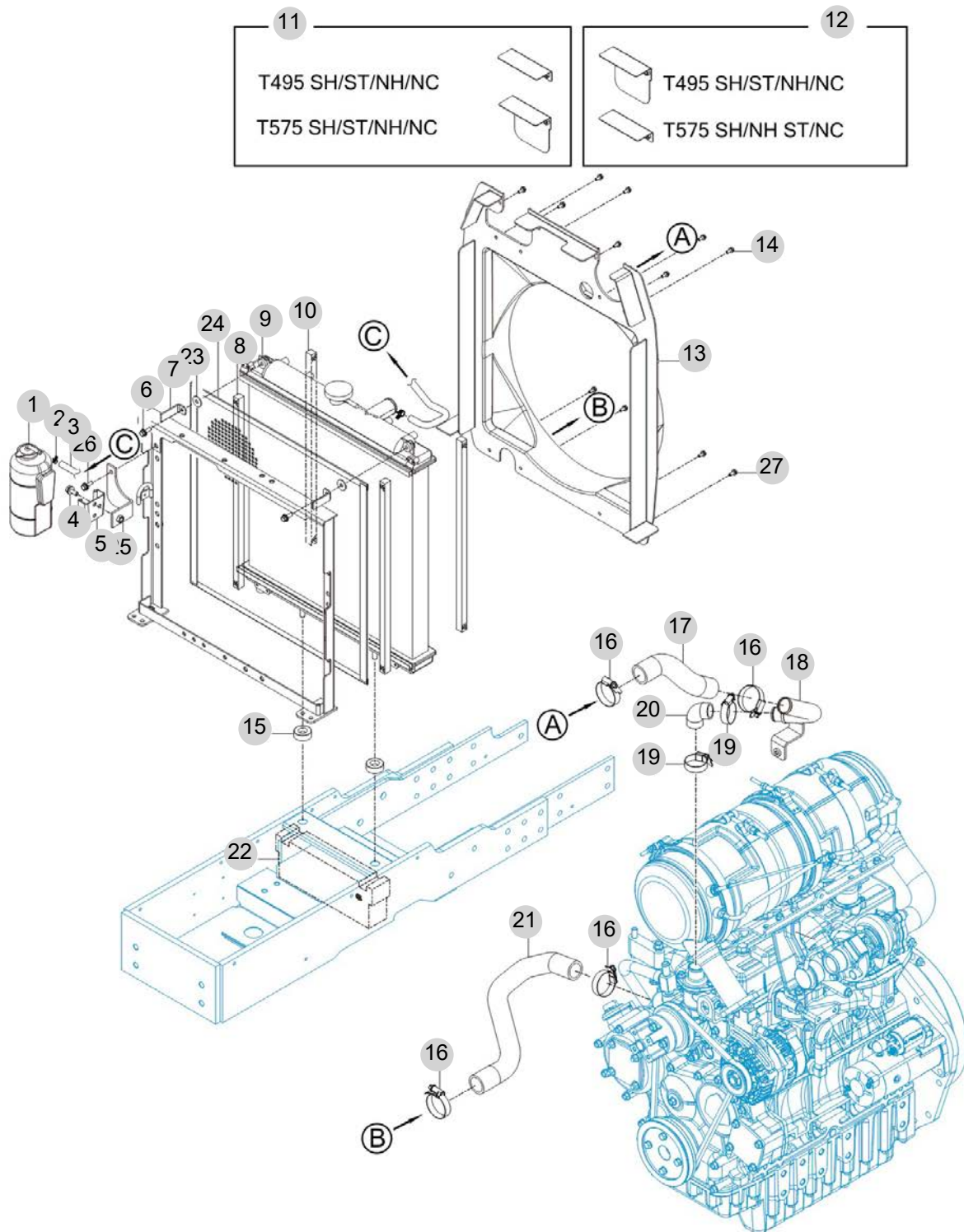
FIG 202

RADIATOR

년/월
Year/Month

2022-12

T495STEU1



NOTE

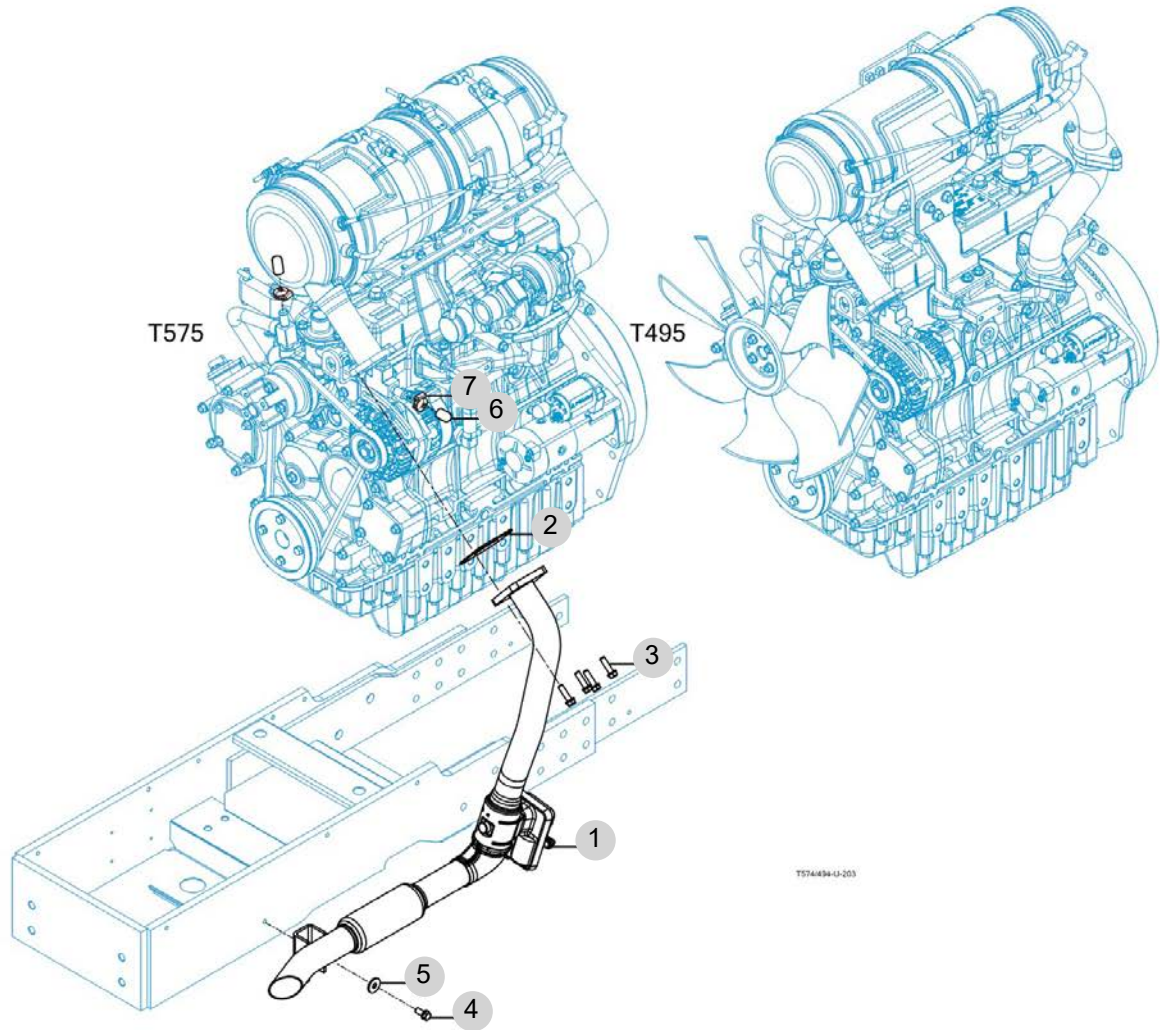
FIG 203

MUFFLER

년/월
Year/Month

2022-12

T495STEU1



NOTE

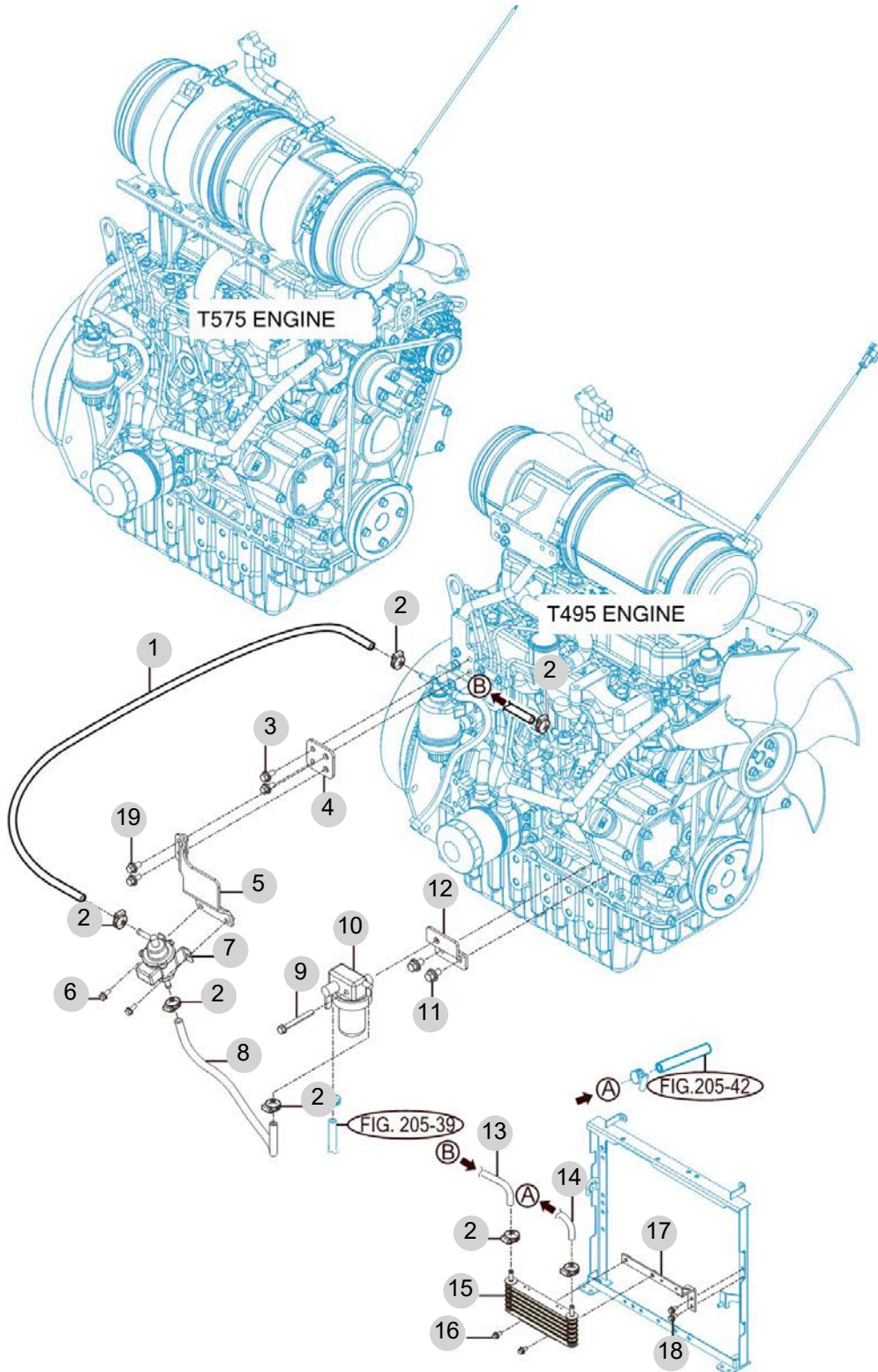
FIG 204

FUEL HOSE & FILTER

년/월
Year/Month

2022-12

T495STEU1



NOTE

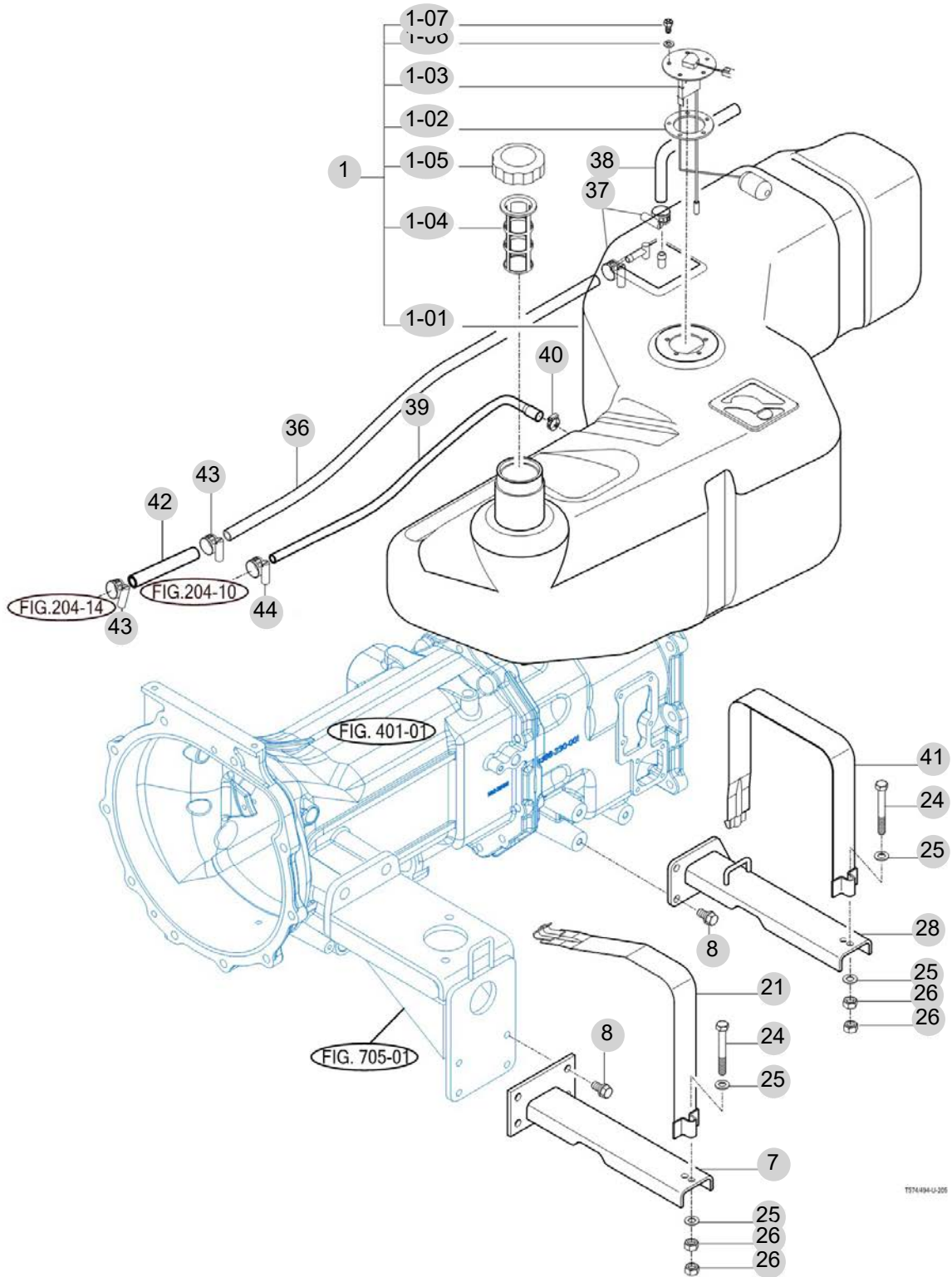
FIG 205

T495STEU1

FUEL TANK

년/월
Year/Month

2022-12



NOTE

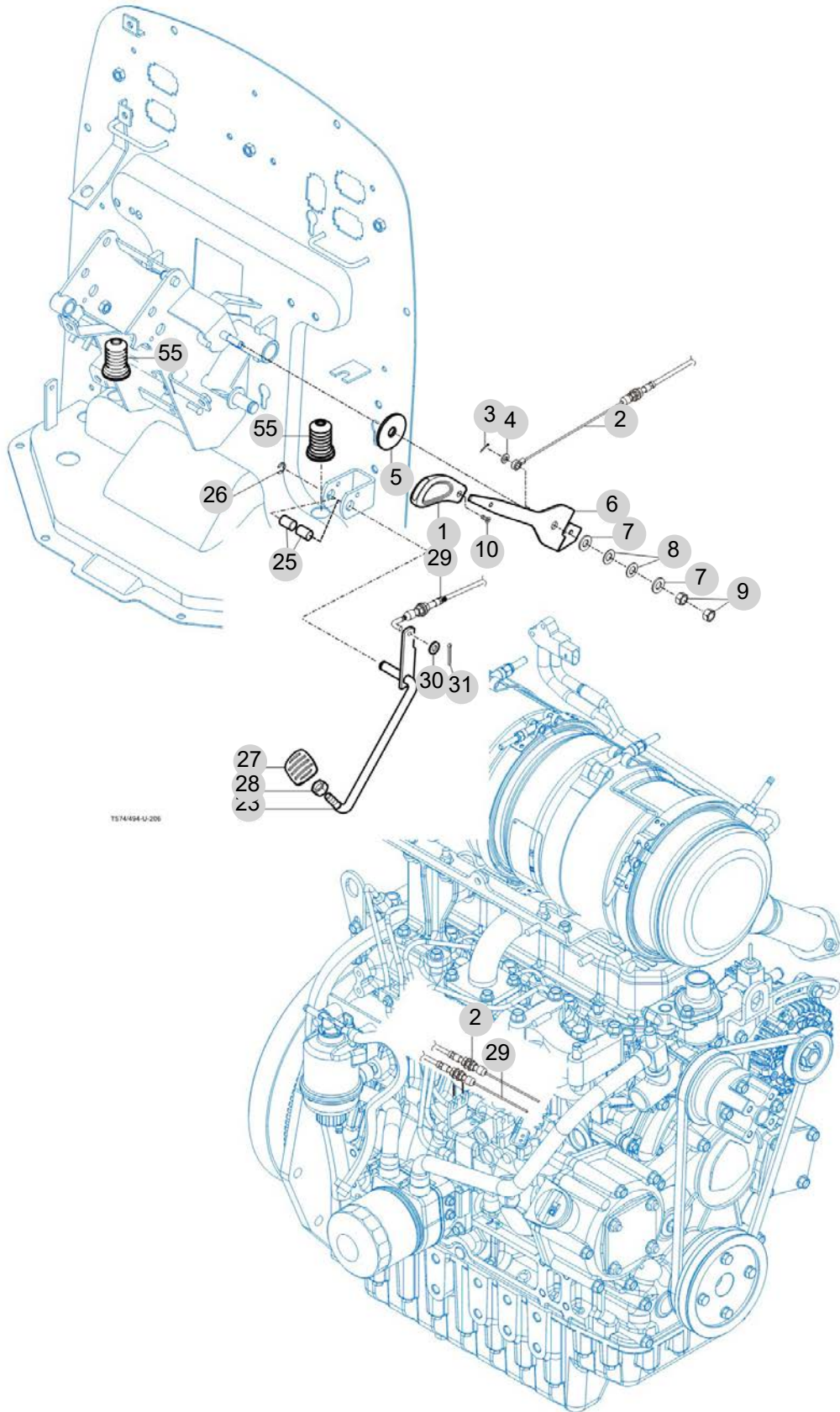
FIG 206

ACCELERATOR

년/월
Year/Month

2022-12

T495STEU1



NOTE

3. 클러치/브레이크/스티어링 PART NO. T3

FIG 301 CLUTCH	113
FIG 302 CLUTCH PEDAL	115
FIG 303 BRAKE	117
FIG 304 BRAKE PEDAL & LINKAGE	119
FIG 305A FRONT WHEEL	121
FIG 305B FRONT WHEEL (R4 OPTION)	123
FIG 306A REAR WHEEL	125
FIG 306B REAR WHEEL (R4 OPTION)	127
FIG 307 POWER STEERING WHEEL	129
FIG 308 POWER STEERING VALVE	131
FIG 309 POWER STEERING CYLINDER	133
FIG 310 HAND BRAKE	135

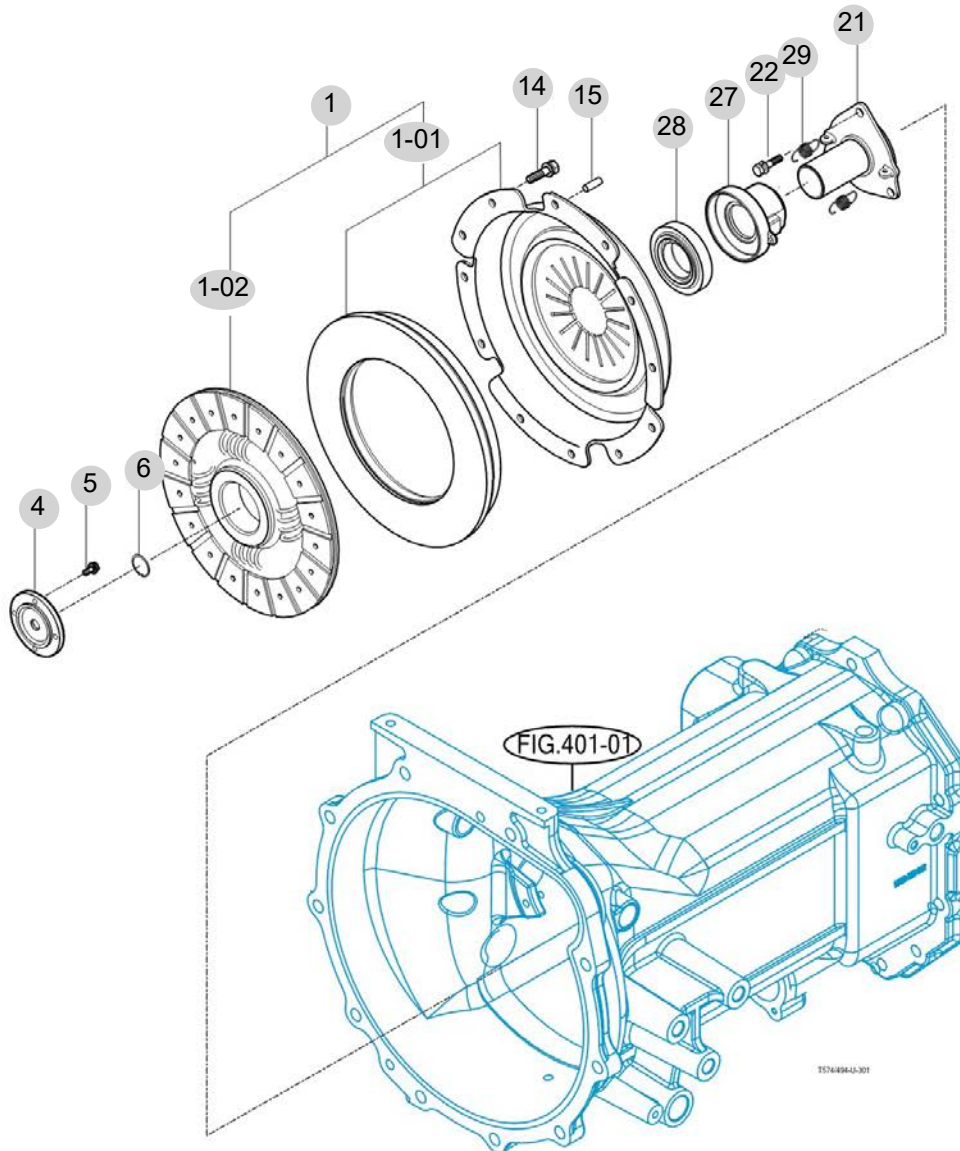
FIG 301

T495STEU1

CLUTCH

년/월
Year/Month

2022-12



NOTE

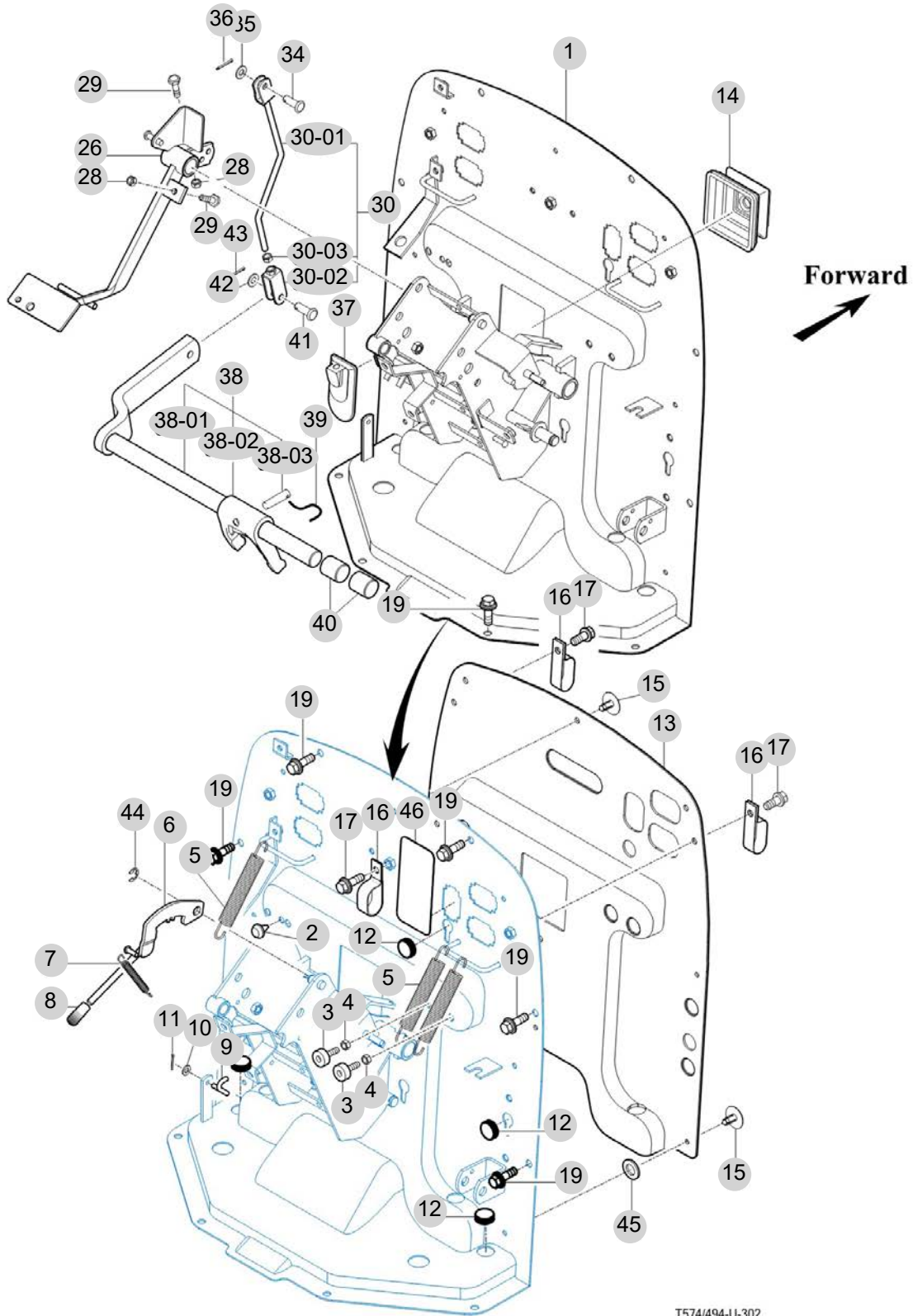
FIG 302

CLUTCH PEDAL

년/월
Year/Month

2022-12

T495STEU1



T574/494-U-302

NOTE

FIG 302		CLUTCH PEDAL						년/월	
								Year/Month	
T495STEU1		2022-12							
KEY NO	PART NO	DESCRIPTION	SPEC	QTY	REPAIR	EFFECTIVE DATE	REMARKS		
302	1	11066303200GB	대시 패널 COMP				1		
302	2	14326160020	콧션고무				1		
302	3	14216020051	콧션고무(B)				2		
302	4	V3043600080	소형육각너트보통2종	M8			2		
302	5	14041200080	클러치리턴스프링	D=2.3			3		
302	6	14724042401GB	틸트레버 COMP				1		
302	7	16001200080	브레이크리턴스프링	D=1.6			1		
302	8	14445070030	레버손잡이				1		
302	9	15441230050	컷오프로드				1		
302	10	V4111600060	평와셔	M6			1		
302	11	V5001920020	분할핀	2X20			1		
302	12	14326510210	고무캡(20)				4		
302	13	17467071991	인슐레이터 , 대시	T=10			1		
302	14	14526300011	부츠,스티어링호스	T=1.5			1		
302	15	17686040020	리벳 SET(흑색)	SV302			9		
302	16	14441010161	라디에이터호스클램프				3		
302	17	V2183608020	소형육각볼트보통(SP)	M8X20			3		
302	19	V2183608016	소형육각볼트보통(SP)	M8X16			10		
302	25	V1222604025	십자홈냄비작은나사(SP)	M4X25			2		
302	26	14571332100GB	페달(클러치)COMP				1		
302	28	V3043600080	소형육각너트보통2종	M8			2		
302	29	V2013608030	소형육각볼트(보통)	M8X30			2		
302	30	14521330002GB	로드서브 , 클러치				1		
302	30	14521330002	로드서브 , 클러치				1		
302	30	14521330002	로드서브 , 클러치				1		
302	30-01	14521333103	로드조함, 클러치				1		
302	30-02	14521333200	후크 조함				1		
302	30-03	V3042600080	소형육각너트보통2종				1		
302	34	14322420010	핀	D=8			1		
302	35	V4111600080	평와셔	M8			1		
302	36	V5001925020	핀	2.5X20			1		
302	37	14526300210	부츠,클러치 페달				1		
302	38	14521302000	바 SET				1		
302	38-01	14521302101	바 COMP				1		
302	38-02	14521300011	포크(릴리스)				1		
302	38-03	15601300010	핀(테이퍼,08X40)				1		
302	39	V5901012150	철선				1		
302	40	14521302150	부시(바COMP)				2		
302	41	14043120060	요오크핀 (A)	D=8			1		
302	42	V4111600080	평와셔	M8			1		
302	43	V5001920020	분할핀	2X20			1		
302	44	V7081400090	E형멈춤링				1		
302	45	V4111600080	평와셔	M8			1		
302	46	12386400011	막음라벨 , 클러치				1		
NOTE									

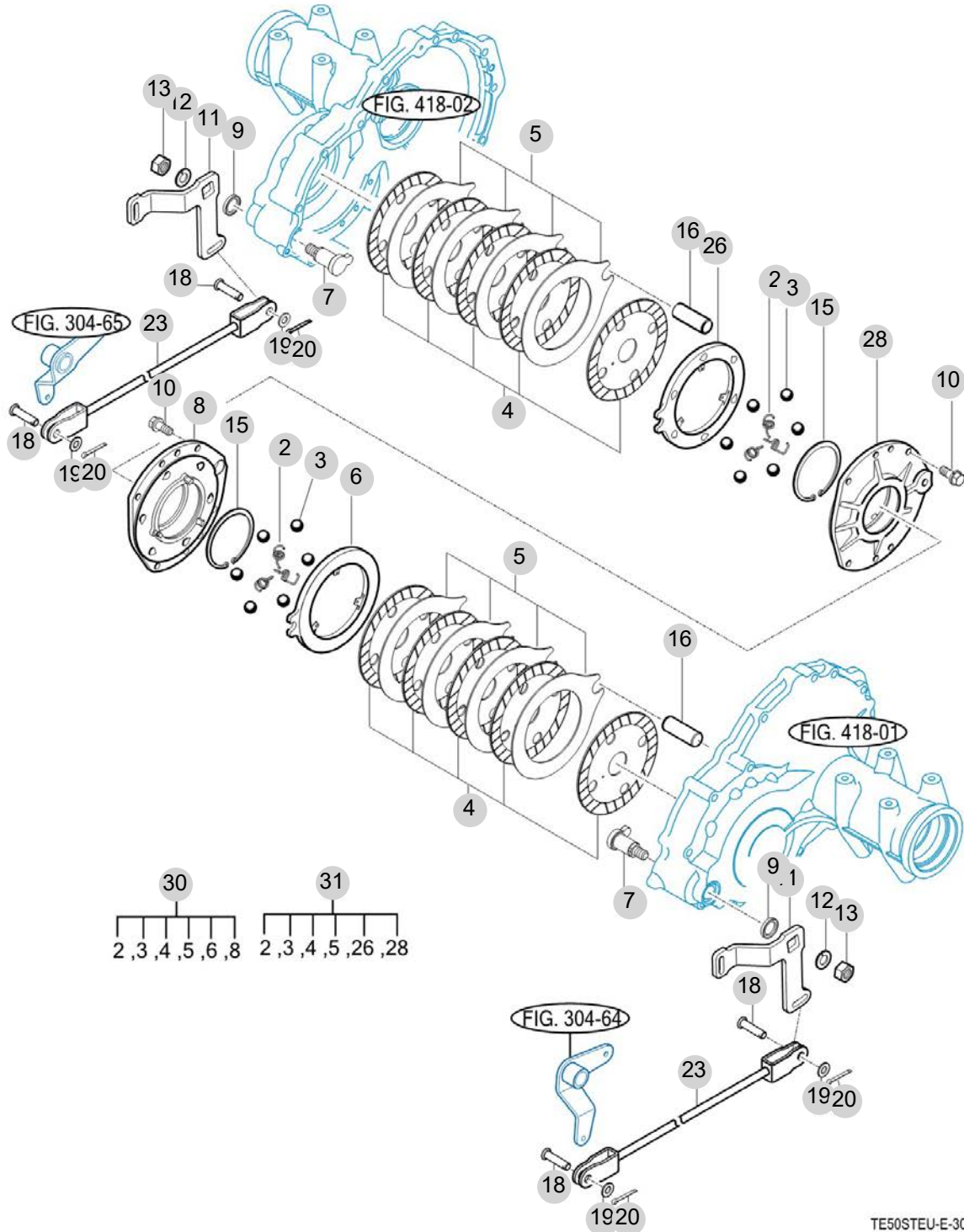
FIG 303

T495STEU1

BRAKE

년/월
Year/Month

2022-12



NOTE

FIG 303 T495STEU1		BRAKE					년/월 Year/Month			
							2022-12			
							KEY NO	PART NO	DESCRIPTION	SPEC
303	2	14523272031	스프링		6					
303	3	V6802000019	볼	19/32	12					
303	4	15643102611	디스크(브레이크)COMP		10					
303	5	15133102020	플레이트(세퍼레이터)		8					
303	6	14523100061M	메탈(브레이크/LOW/LH)		1					
303	7	14523270011	캠		2					
303	8	14523100011M	메탈(브레이크/UPR/LH)		1					
303	9	V7421253505	오일살(G)		2					
303	10	V2173610025	소형육각볼트보통(S)	M10X25	16					
303	11	14523270011	캠	T=6	2					
303	12	V4011600160	스프링와셔	M16	2					
303	13	V3003600160	육각너트보통1종	M16	2					
303	15	V7051401000	C형멈춤링(구멍용)	100	2					
303	16	14523100160	토크핀	D=25	2					
303	18	14322420010	핀	D=8	4					
303	19	V4111600080	평와셔	M8	4					
303	20	V5001925020	핀	2.5X20	4					
303	23	14523292501	로드 (후크)COMP		2					
303	26	14523100071M	메탈(브레이크/LOW/RH)		1					
303	28	14523100021M	메탈(브레이크/UPR/RH)		1					
303	30	15183102000	브레이크(LH) SUB ASSY		1					
303	31	15183102700	브레이크(RH) SUB ASSY		1					
NOTE										

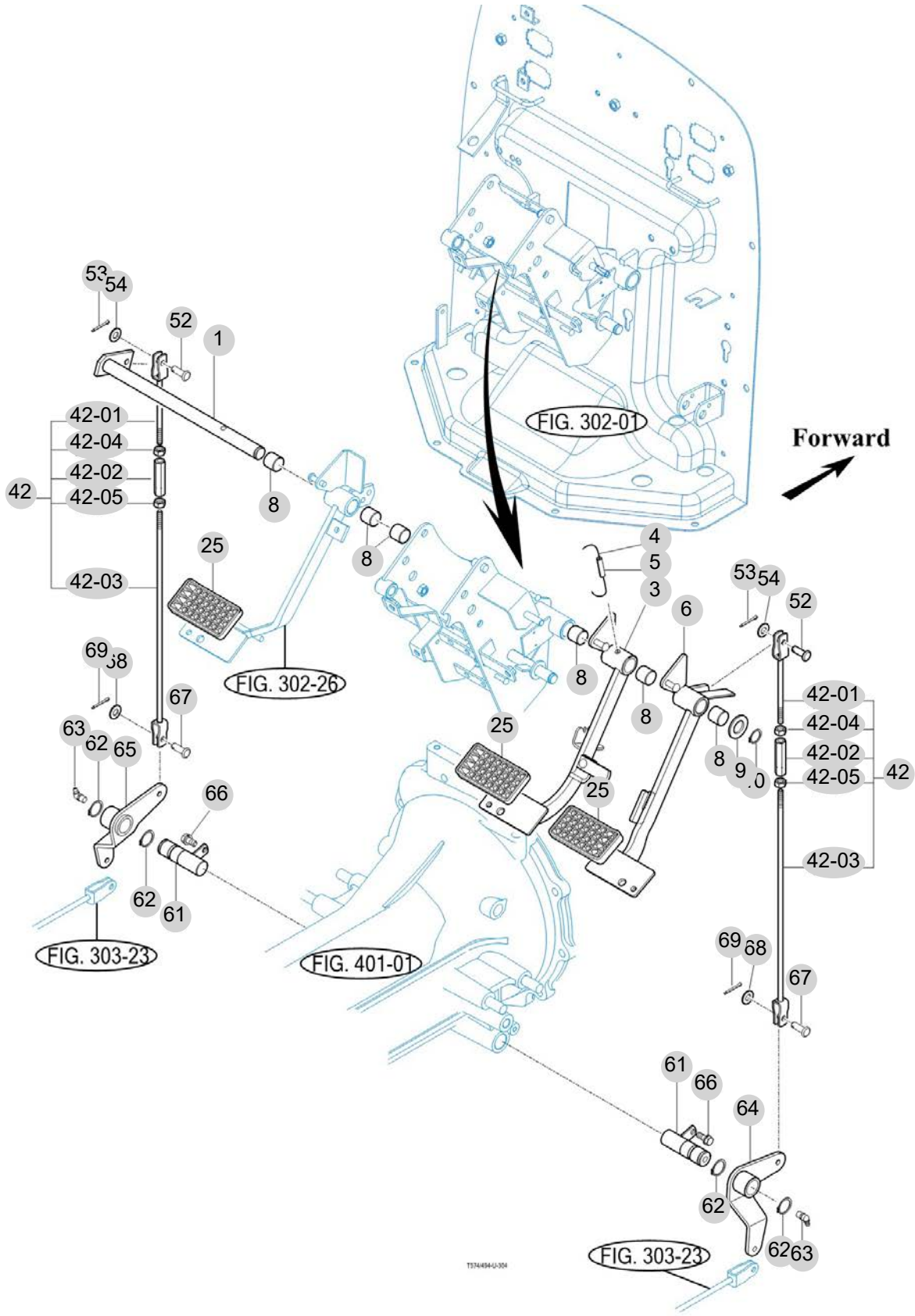
FIG 304

BRAKE PEDAL & LINKAGE

년/월
Year/Month

2022-12

T495STEU1



NOTE

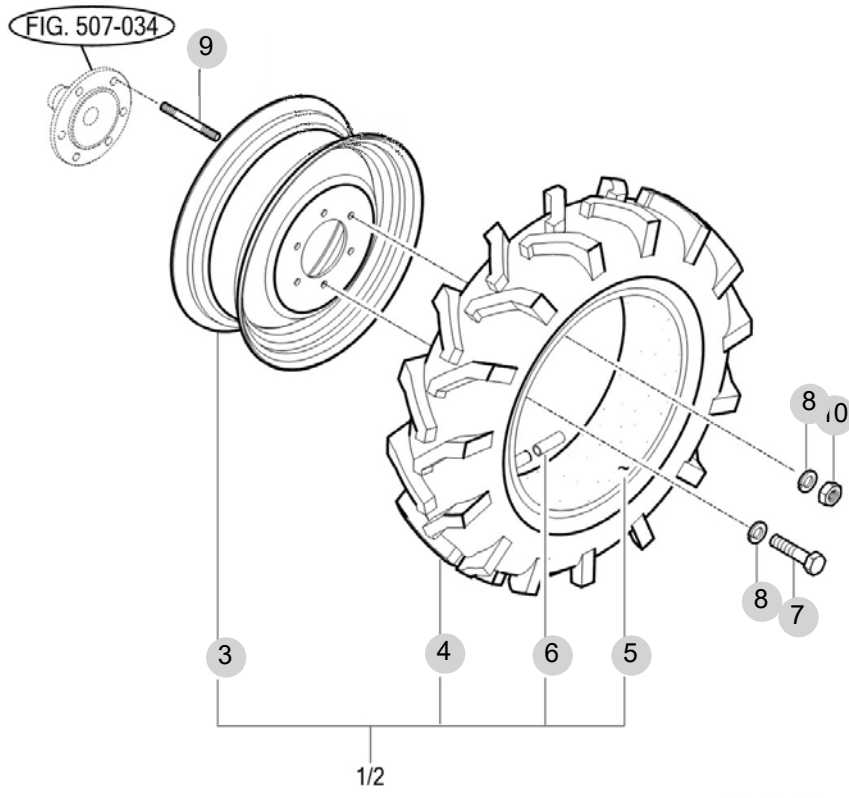
FIG 305A

FRONT WHEEL

년/월
Year/Month

2022-12

T495STEU1



NOTE

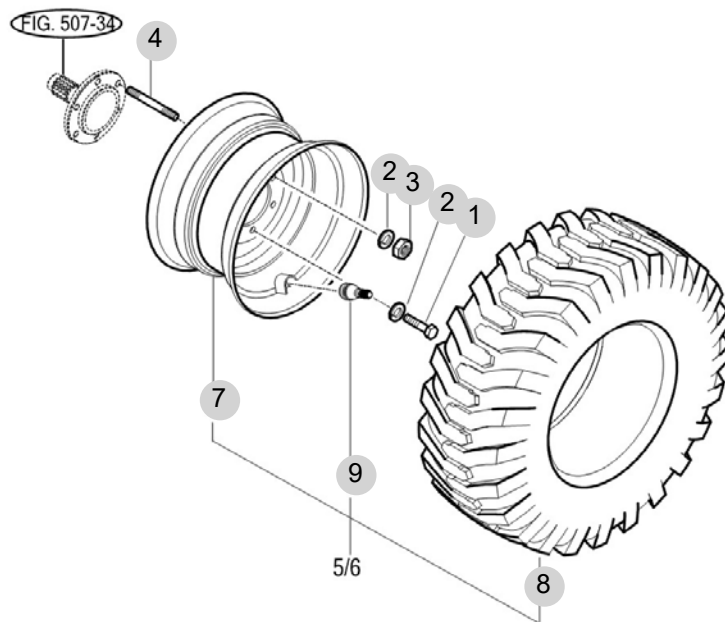
FIG 305B

T495STEU1

FRONT WHEEL (R4 OPTION)

년/월
Year/Month

2022-12



T503HST-E-305B

NOTE

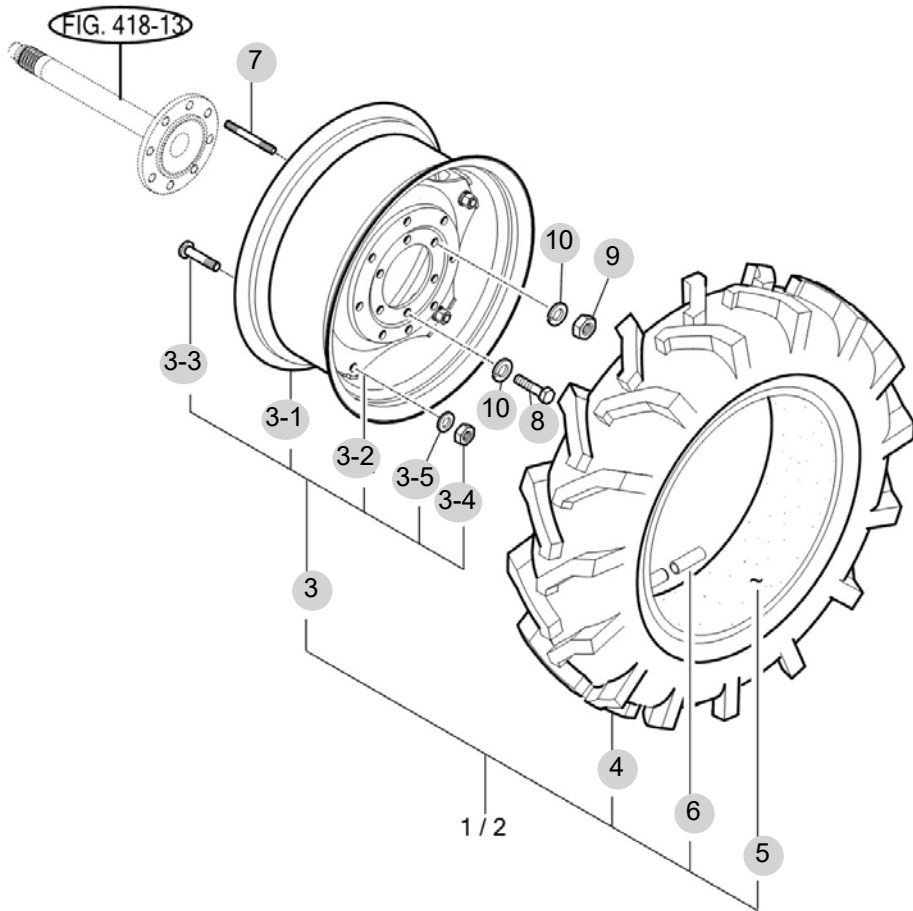
FIG 306A

REAR WHEEL

년/월
Year/Month

2022-12

T495STEU1



NOTE

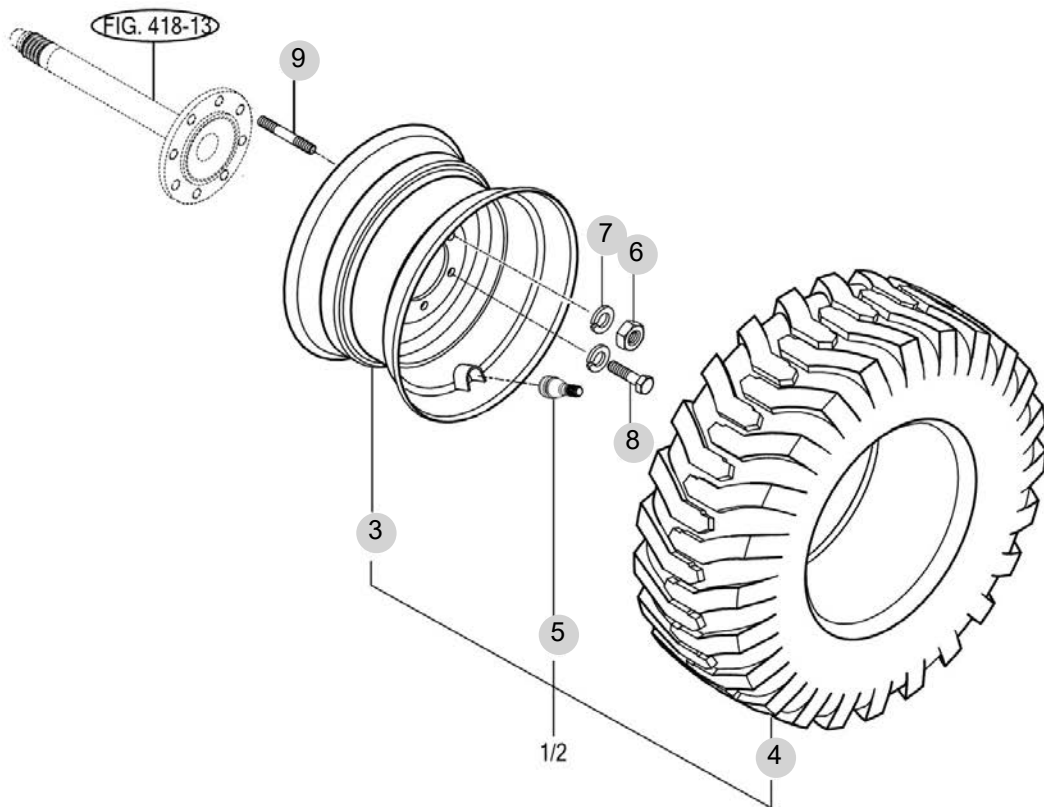
FIG 306B

T495STEU1

REAR WHEEL (R4 OPTION)

년/월
Year/Month

2022-12



NOTE

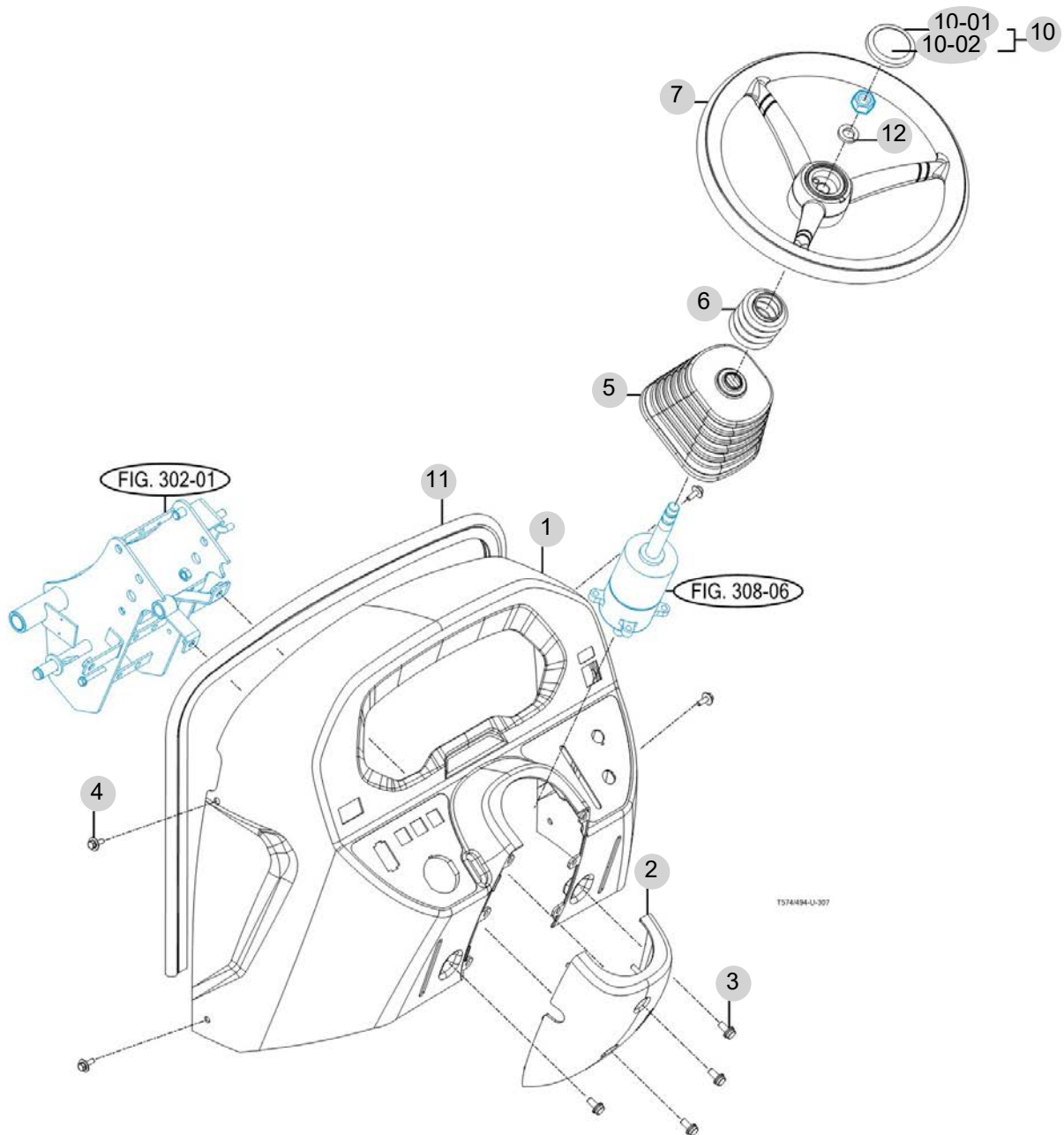
FIG 307

T495STEU1

POWER STEERING WHEEL

년/월
Year/Month

2022-12



T374494-U-307

NOTE

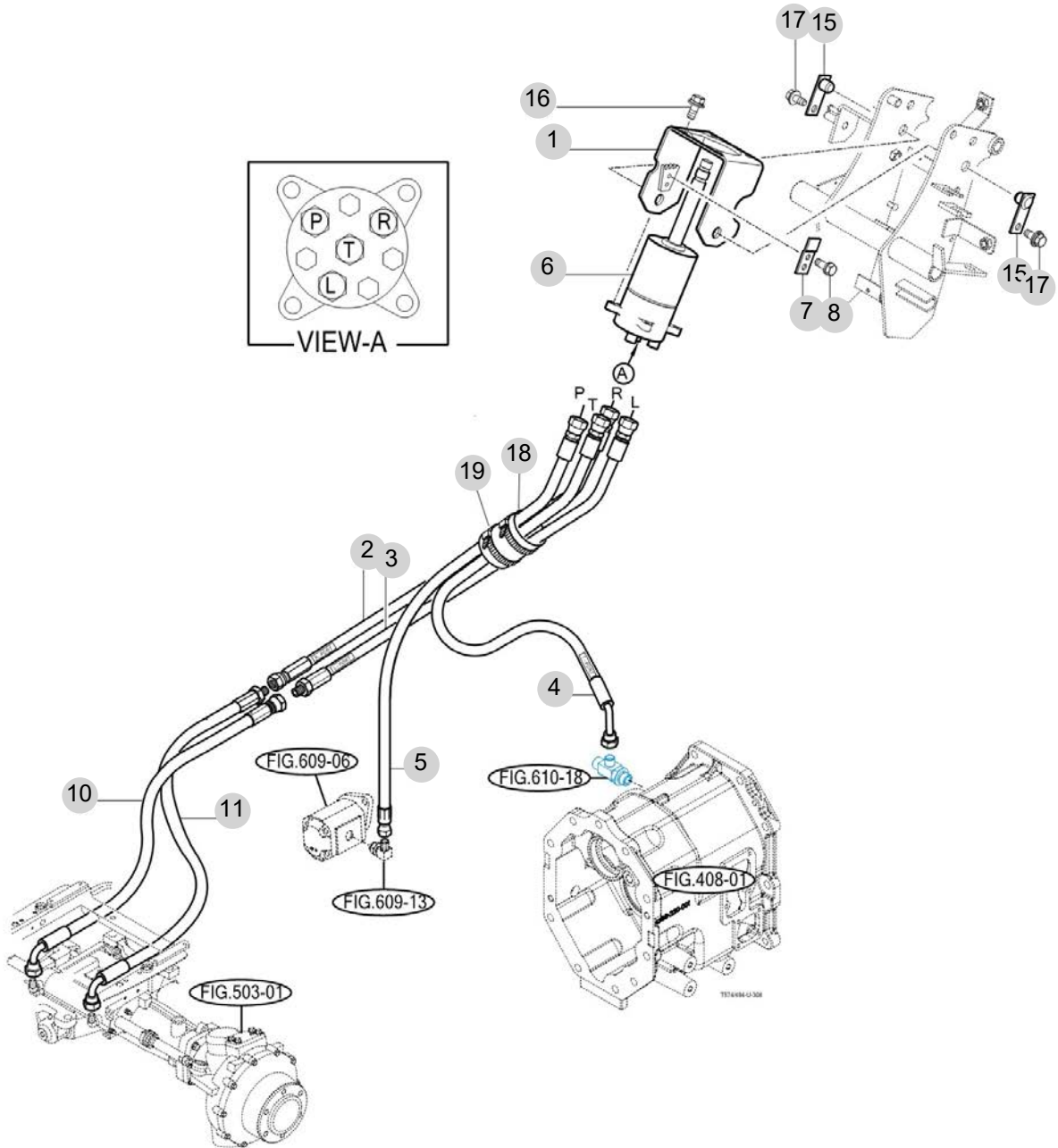
FIG 308

T495STEU1

POWER STEERING VALVE

년/월
Year/Month

2022-12



NOTE

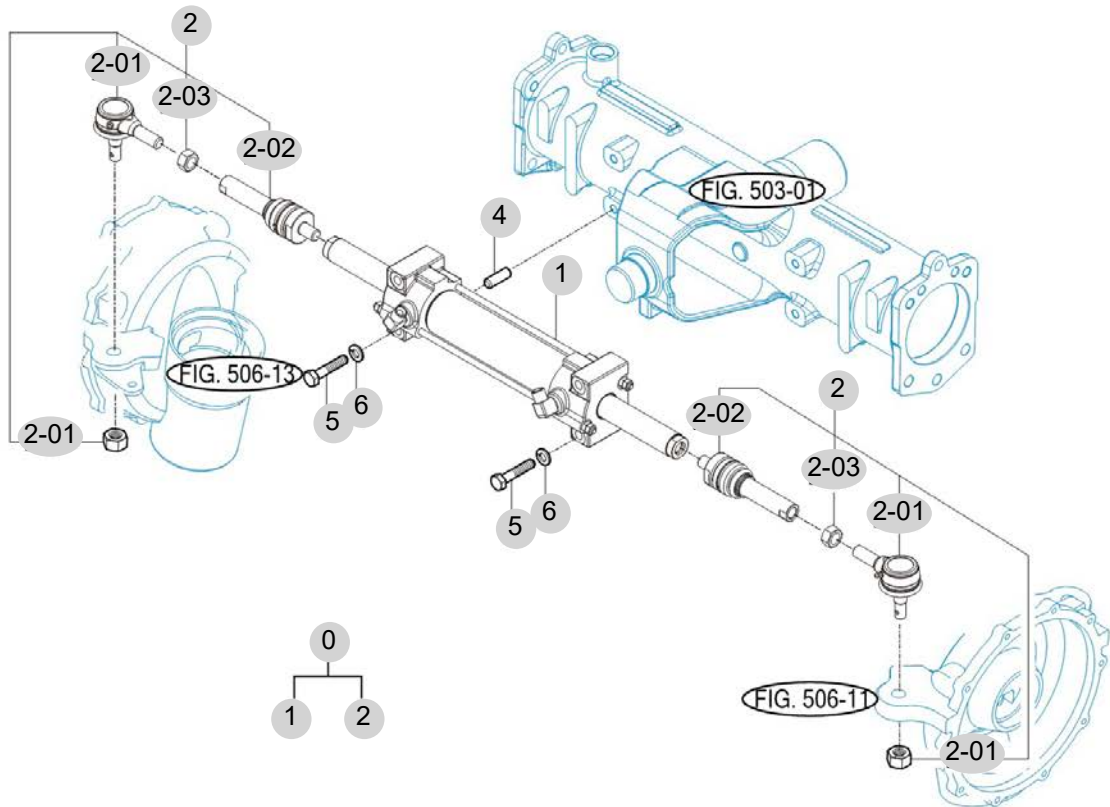
FIG 309

POWER STEERING CYLINDER

년/월
Year/Month

2022-12

T495STEU1



T55551/T495NC-E-309

NOTE

FIG 309		POWER STEERING CYLINDER					년/월 Year/Month	
T495STEU1							2022-12	
KEY NO	PART NO	DESCRIPTION	SPEC	QTY	REPAIR	EFFECTIVE DATE	REMARKS	
309	0	13874072000	실린더 ASSY	1				
309	1	13874072100	실린더 COMP	1				
309	2	13874074100	볼조인트 SET	2				
309	2-01	10014362004	볼 조인트 ASSY	2				
309	2-02	13874363200	볼 소켓 ASSY	2				
309	2-03	V3343600160	소형육각너트가는2종	2				
309	4	V5201010020	평행핀(A)	1		10X20		
309	5	V2024612075	소형육각볼트(가는)	4		M12X75		
309	6	V4011600120	스프링와셔	4		M12		
NOTE								

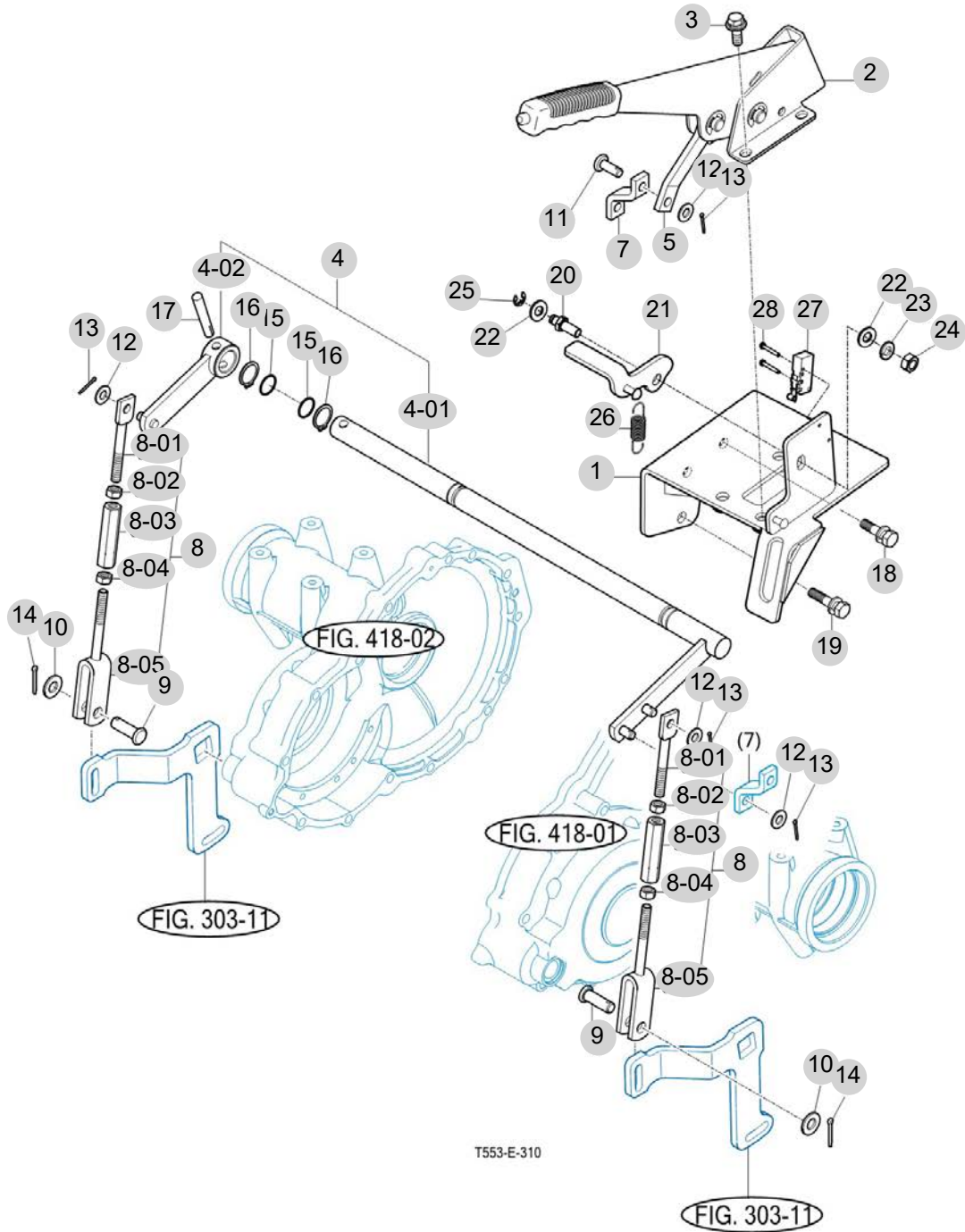
FIG 310

T495STEU1

HAND BRAKE

년/월
Year/Month

2022-12



T553-E-310

NOTE

4. 트랜스미션 PART NO. T4

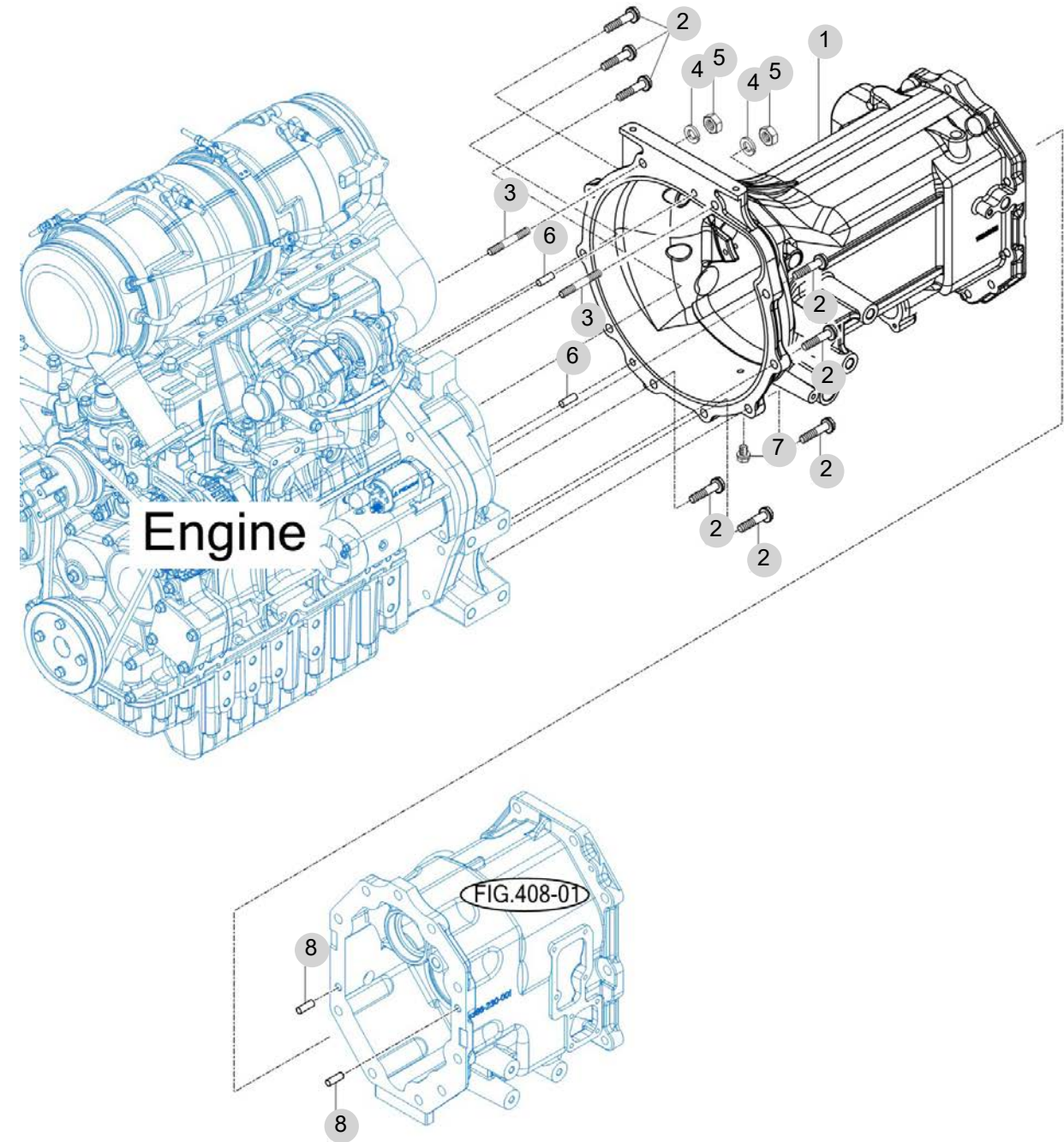
FIG 401 TRANSMISSION FRONT CASE	138
FIG 402 FORWARD & BACKWARD GEARS	140
FIG 403 IDLE & COUNTER GEARS	142
FIG 404 MAIN SHIFT GEARS	144
FIG 405 P.T.O DRIVE SHAFT	146
FIG 406 MAIN CHANGE LEVER	148
FIG 407 REVERSE CHANGE LEVER	150
FIG 408 TRANSMISSION MID CASE	152
FIG 409 TRANSMISSION REAR CASE	154
FIG 410 SUB CHANGE GEARS	156
FIG 411 SUB CHANGE SHIFTER	158
FIG 413 DRIVE GEARS	160
FIG 414 4WD CHANGE LEVER	162
FIG 415 P.T.O CHANGE GEARS	164
FIG 417 REAR DIFFERENTIAL GEARS	166
FIG 418 REAR AXLE HOUSING	169

FIG 401

TRANSMISSION FRONT CASE

년/월
Year/Month

2022-12



NOTE

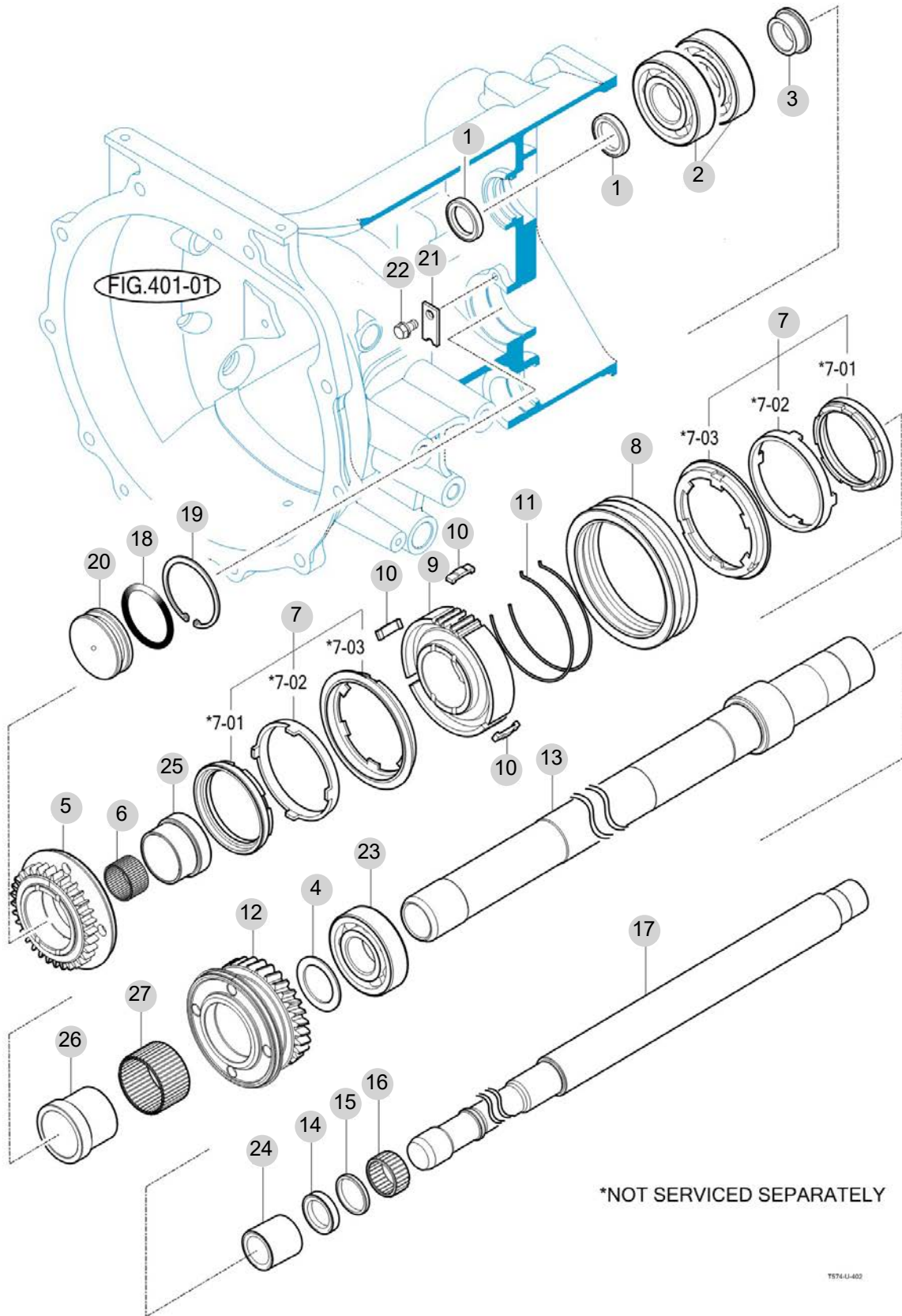
FIG 402

T495STEU1

FORWARD & BACKWARD GEARS

년/월
Year/Month

2022-12



T574-U-402

NOTE

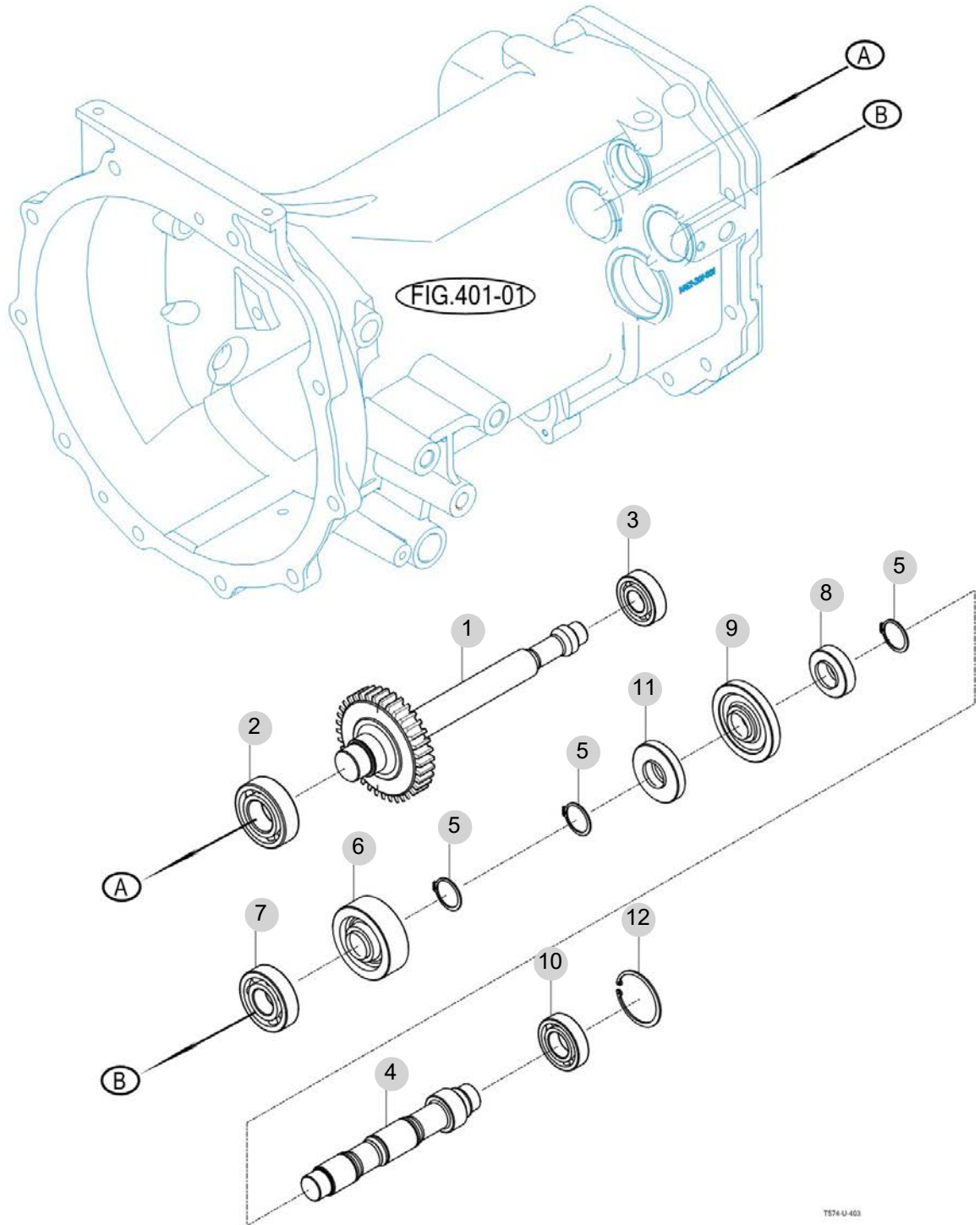
FIG 403

T495STEU1

IDLE & COUNTER GEARS

년/월
Year/Month

2022-12



NOTE

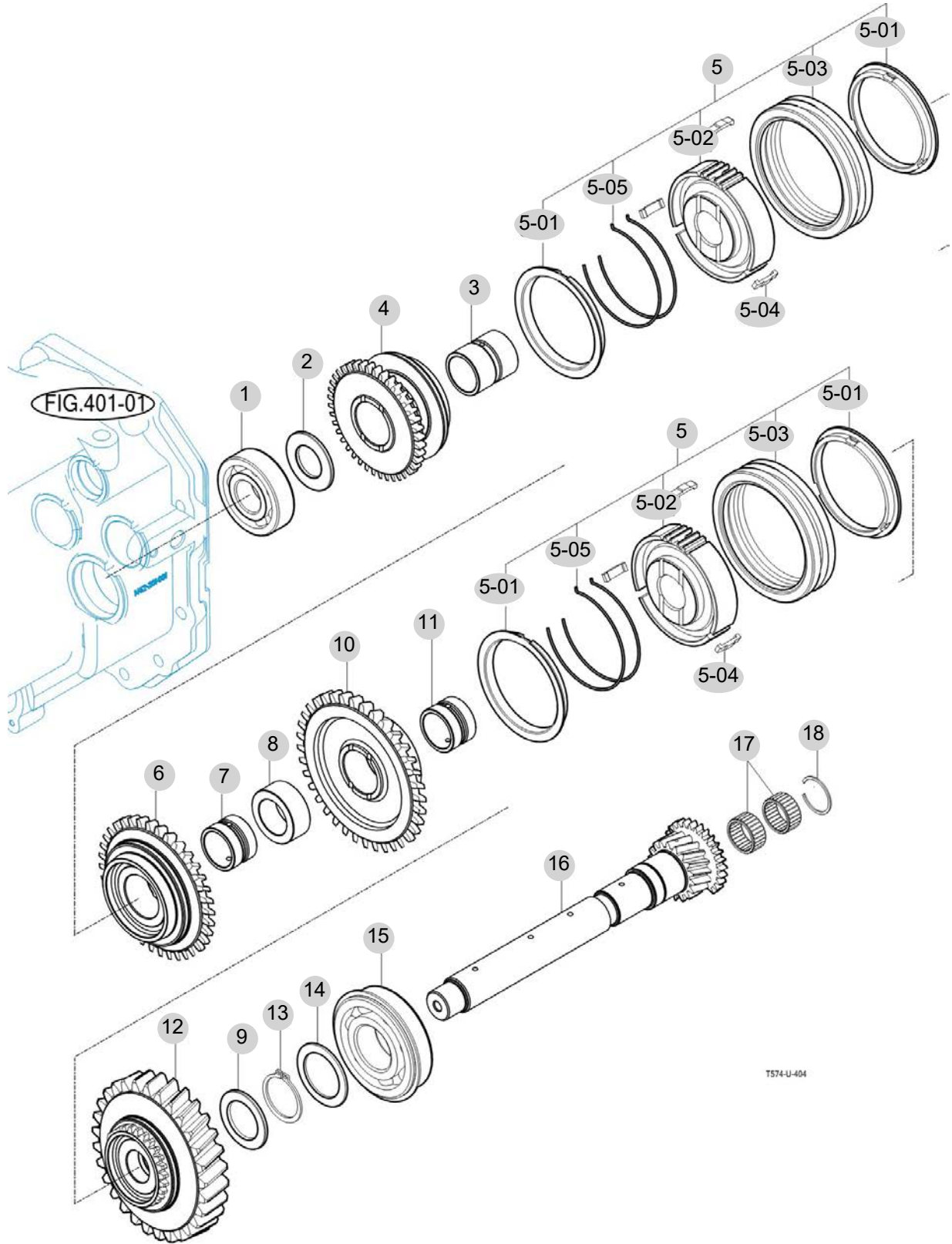
FIG 404

T495STEU1

MAIN SHIFT GEARS

년/월
Year/Month

2022-12



T574-U-404

NOTE

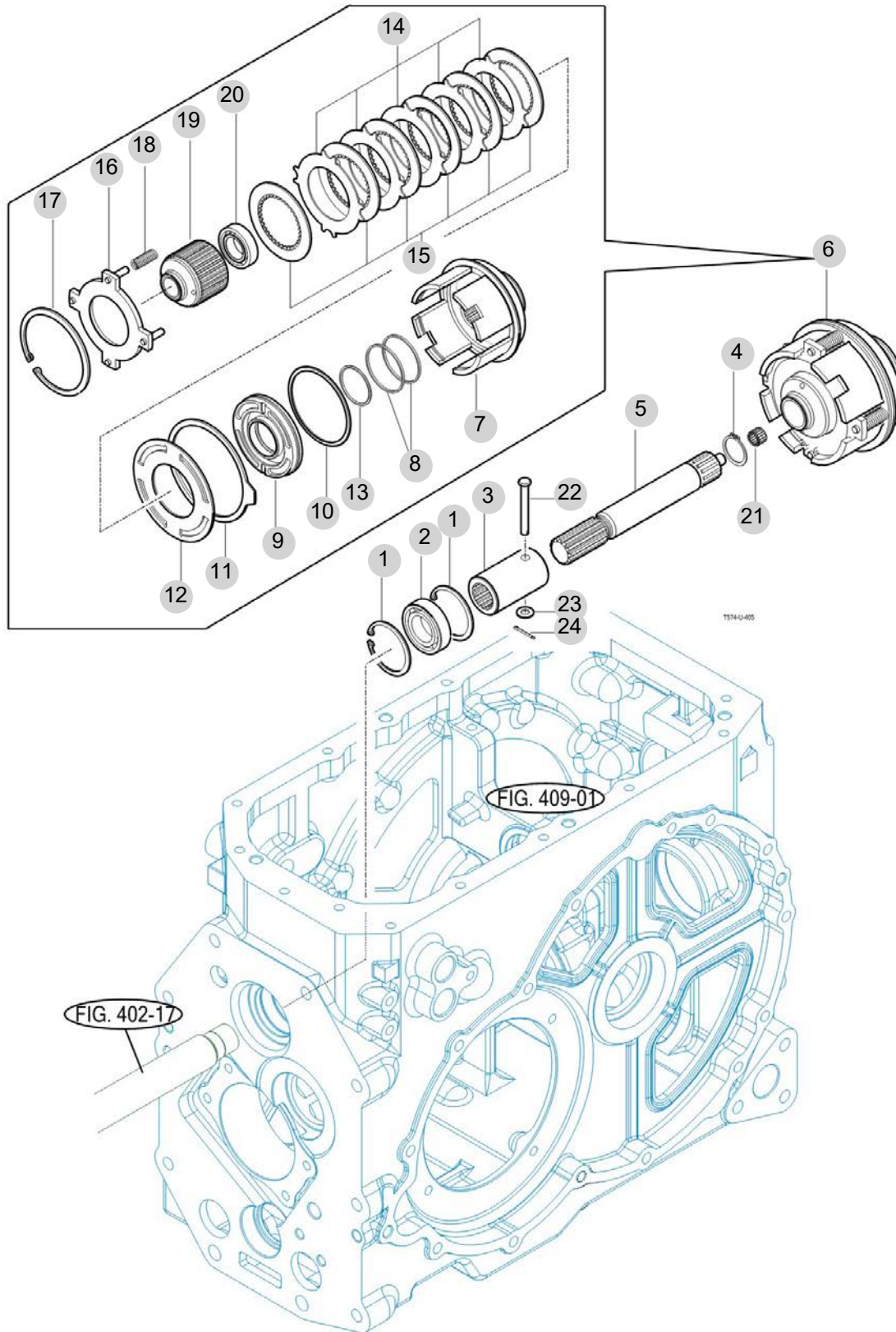
FIG 405

P.T.O DRIVE SHAFT

년/월
Year/Month

2022-12

T495STEU1



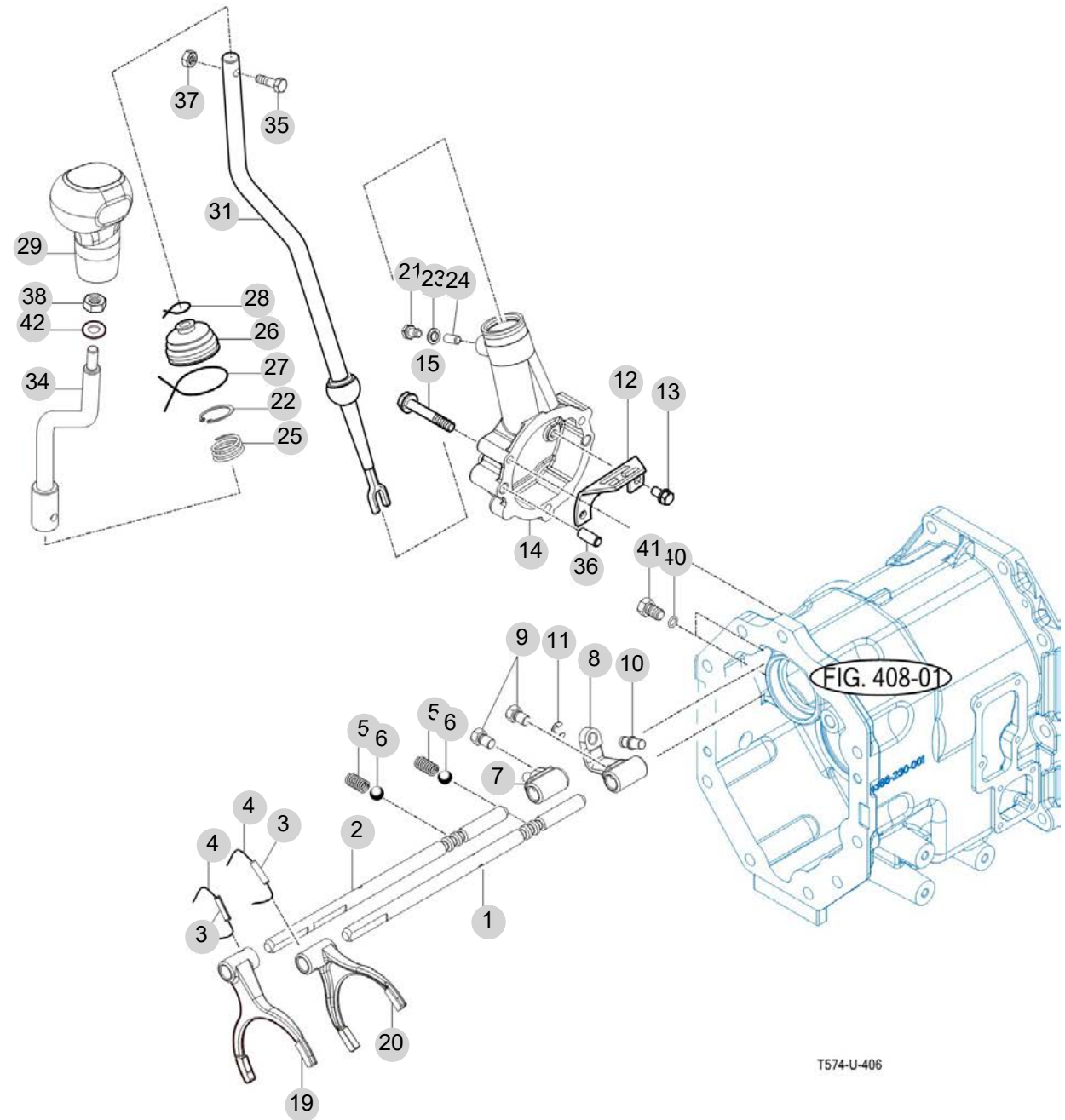
NOTE

FIG 406

MAIN CHANGE LEVER

년/월
Year/Month

2022-12



NOTE

FIG 406 T495STEU1	MAIN CHANGE LEVER	년/월 Year/Month
		2022-12

KEY NO	PART NO	DESCRIPTION	SPEC	QTY	REPAIR	EFFECTIVE DATE	REMARKS
406	1	13862230060	주변속 스테이(1-2)				
406	2	13862230050	주변속 시프터 스테이 (3-4)				
406	3	V5801406025	스프링핀	6X25	2		
406	4	V5901010150	철선	1.0X150	2		
406	5	13022250030	시프터스프링	D=1.4	2		
406	6	V6802000010	강구		2		
406	7	15642230043M	링크(소)		1		
406	8	15642230033M	링크(대)		1		
406	9	15602231600	볼트(셋트/쉴록M8X16)	M8X16	2		
406	9	15602231610	볼트(셋트/M8X16)		1		
406	9	15602231610	볼트(셋트/M8X16)		2		
406	10	15602230124	핀(10X28)		1		
406	11	V7081400070	E형멈춤링		1		
406	12	15602230074	가이드	T=3.5	1		
406	13	V2173608016	소형육각볼트보통(S)	M8X16	2		
406	14	15612230027M	메탈(메인)		1		
406	15	V2173608050	소형육각볼트보통(S)	M8X50	3		
406	19	14522230022M	포크(시프터,3-4)		1		
406	20	13862230010M	포크(시프터,1-2)		1		
406	21	16007060020	볼트(드레인)	M8X12XP1.25	1		
406	22	V7051400320	C형멈춤링(구멍용)	32	1		
406	23	15602230085	쉴		1		
406	24	V5201006016	평행핀(A)	6X16	1		
406	25	15602900063	스프링(C020)	D=2.6	1		
406	26	14442180090	변속레버부츠		1		
406	27	V5901010180	철선	1.0X180	1		
406	28	V5901010070	철선	1.0X70	1		
406	29	13862810200	손잡이 , 주변속	M10	1		
406	31	14522912001	레버COMP(시프터/메인)		1		
406	34	14522913101GB	레버COMP(바/16)		1		
406	35	V2013608035	소형육각볼트(보통)	M8X35	1		
406	36	V5201010022	평행핀(A)	10X22	2		
406	37	V3042600080	소형육각너트보통2종	M8	1		
406	38	V3342600100	소형육각너트가는2종	M10	1		
406	40	V7201019008	O링(P)	P8	2		
406	41	14522081550	볼트	M10XP1.5	2		
406	42	V4111600100	평와셔	M10	1		

NOTE	
------	--

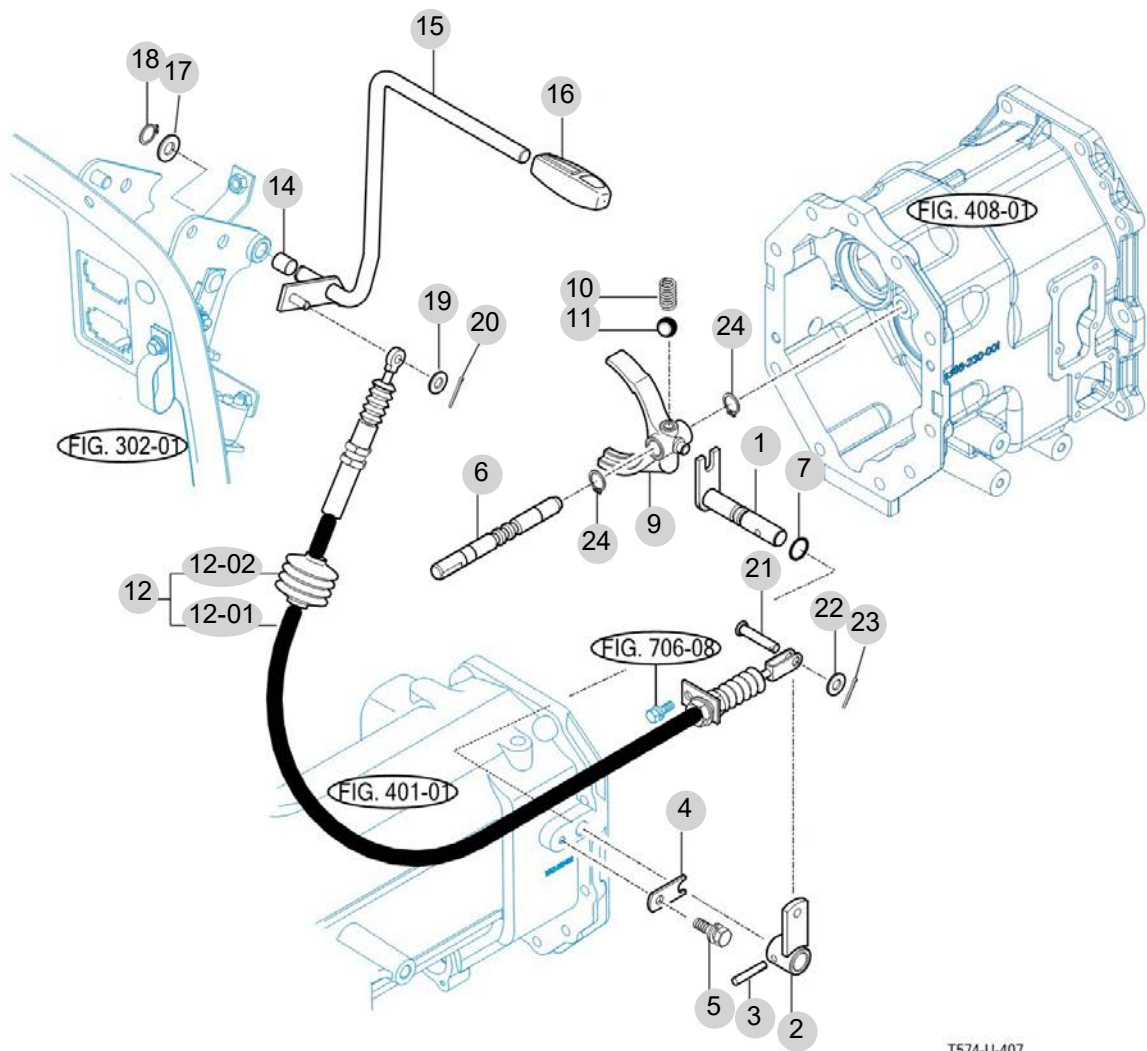
FIG 407

REVERSE CHANGE LEVER

년/월
Year/Month

2022-12

T495STEU1



T574-U-407

NOTE

FIG 407 T495STEU1		REVERSE CHANGE LEVER						년/월 Year/Month
								2022-12
KEY NO		PART NO	DESCRIPTION	SPEC	QTY	REPAIR	EFFECTIVE DATE	REMARKS
407	1	14522252300	후크(리버스)COMP		1			
407	2	14522252500	암COMP		1			
407	3	V5111006036	스플릿테이퍼핀	6X36	1			
407	4	16702230371	플레이트	T=3	1			
407	5	V2173608016	소형육각볼트보통(S)	M8X16	1			
407	6	13862250020	셔틀 시프트 스테이	D=14	1			
407	7	V7201024012	O링(P)	P12	1			
407	9	14522250093M	후크(시프터,리버스)		1			
407	10	13022250030	시프터스프링	D=1.4	1			
407	11	V6802000010	강구		1			
407	12	14522842000	리버스케이블 SUB		1			
407	12-01	14522842010	리버스케이블ASSY		1			
407	12-02	14522842020	부츠,리버스케이블		1			
407	14	36461020111	부시(14X16X20)		1			
407	15	14522832002GB	레버조합,셔틀		1			
407	16	14521170040	그립,리버스		1			
407	17	V4111600140	평와셔	M14	1			
407	18	V7041400140	C형멈춤링(축용)	14	1			
407	19	V4111600080	평와셔	M8	1			
407	20	V5001920020	분할핀	2X20	1			
407	21	14322420010	핀		1			
407	22	V4111600080	평와셔	M8	1			
407	23	V5001925020	핀		1			
407	24	V7041400140	C형멈춤링(축용)	Ø14	1			
NOTE								

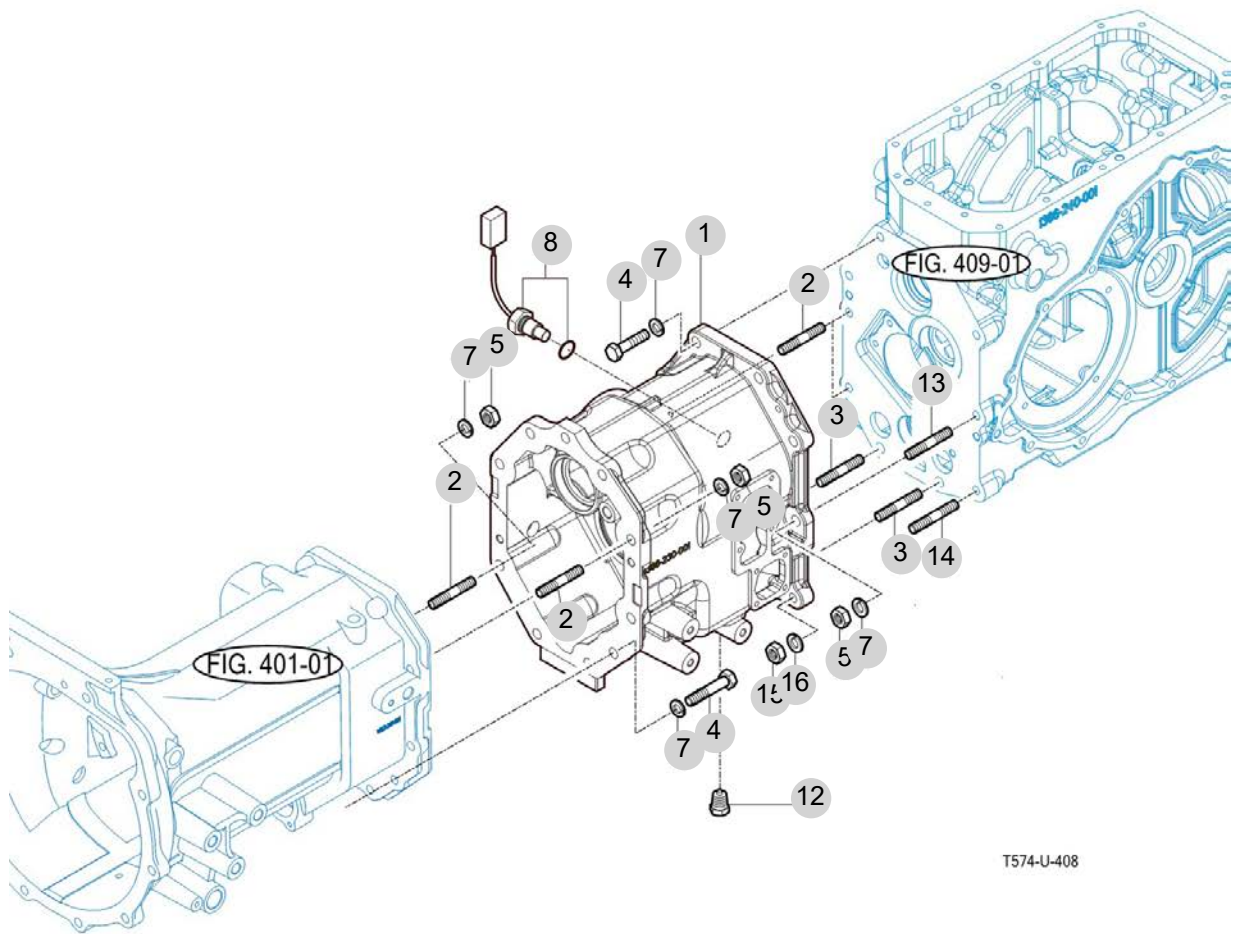
FIG 408

T495STEU1

TRANSMISSION MID CASE

년/월
Year/Month

2022-12



T574-U-408

NOTE

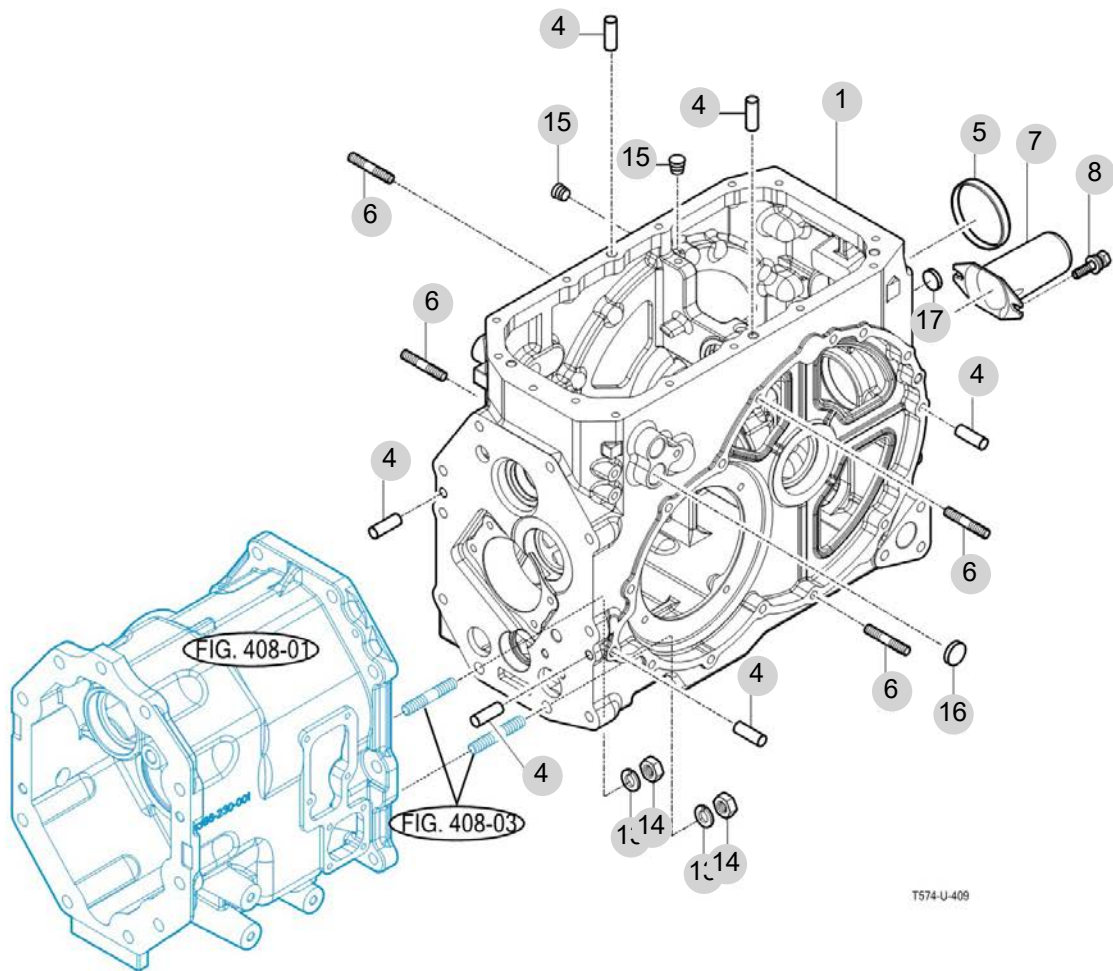
FIG 409

T495STEU1

TRANSMISSION REAR CASE

년/월
Year/Month

2022-12



T574-U-409

NOTE

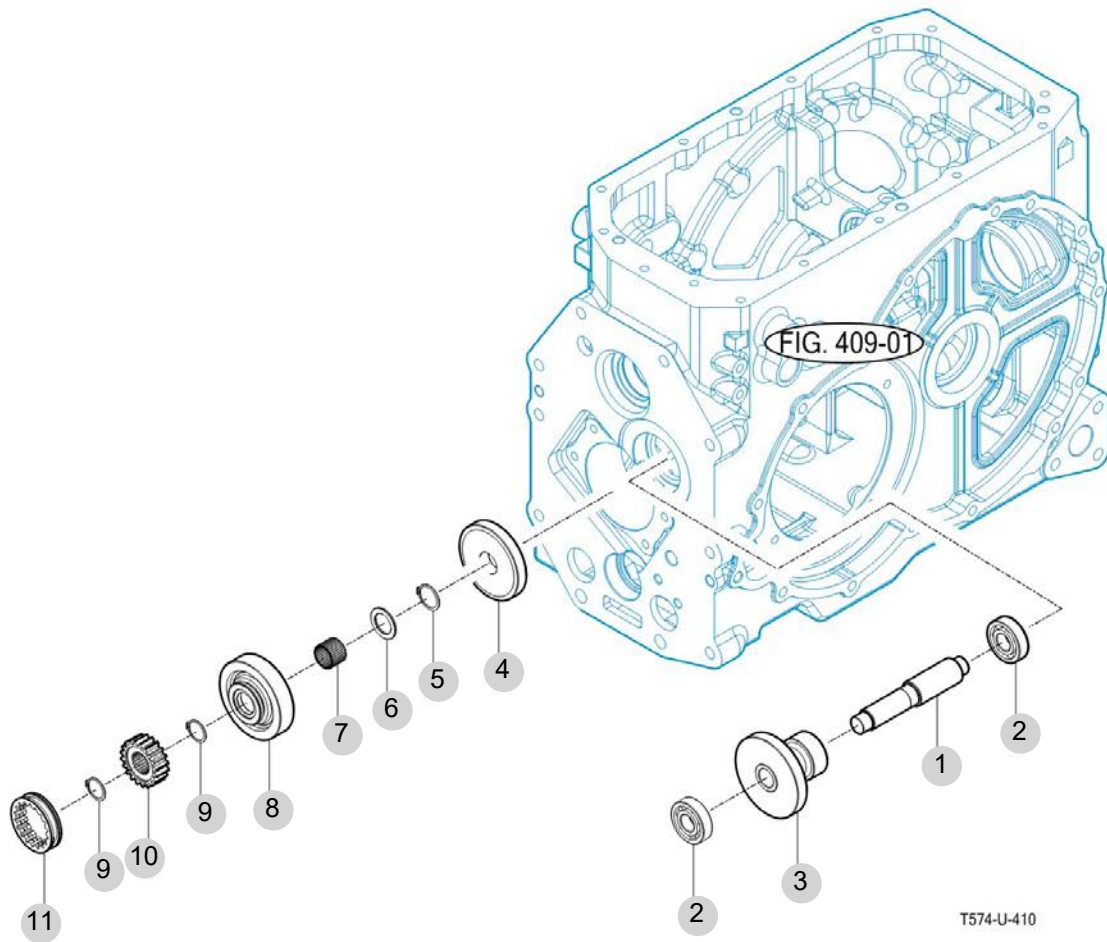
FIG 410

SUB CHANGE GEARS

년/월
Year/Month

2022-12

T495STEU1



NOTE

FIG 410		SUB CHANGE GEARS						년/월 Year/Month
T495STEU1								2022-12
KEY NO	PART NO	DESCRIPTION	SPEC	QTY	REPAIR	EFFECTIVE DATE	REMARKS	
410	1	13862430060	부변속 샤프트(L)					
410	2	V6041106305	볼베어링(HL1)					
410	3	13862240130	기어(헬리컬, 17-36)					
410	4	13862430010	기어(스퍼, 35)					
410	5	V7041400350	C형 멈춤링(축용)	35				
410	6	15642160041	와셔(30X46X03)					
410	7	V6544303527	니들베어링(케이지)					
410	8	13862430040	기어(헬리컬, 35)					
410	9	V7041400300	C형 멈춤링(축용)	30				
410	10	15642430110	허브(30X62X19)					
410	11	15242360050	슬라이드커플링					
NOTE								

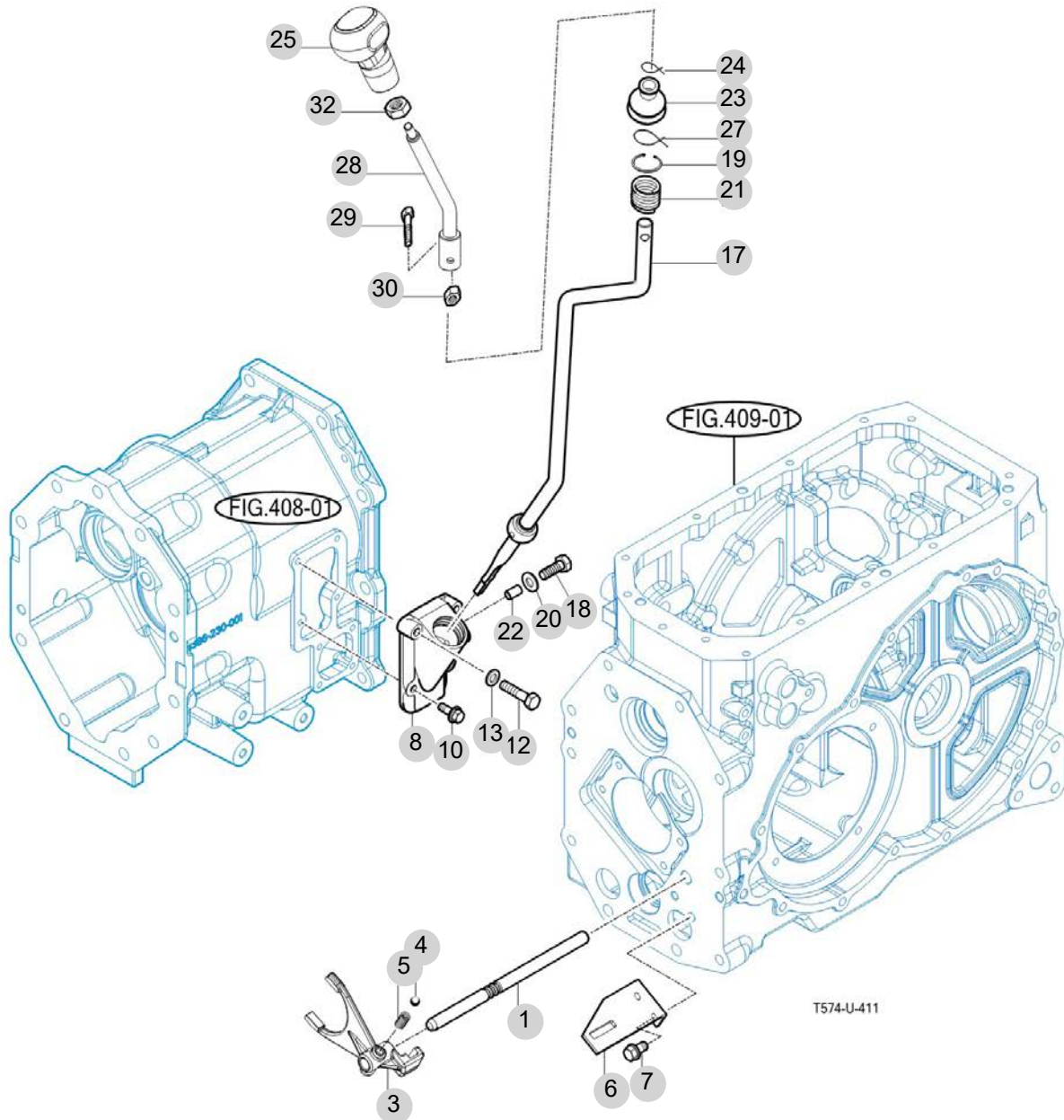
FIG 411

SUB CHANGE SHIFTER

년/월
Year/Month

2022-12

T495STEU1



T574-U-411

NOTE

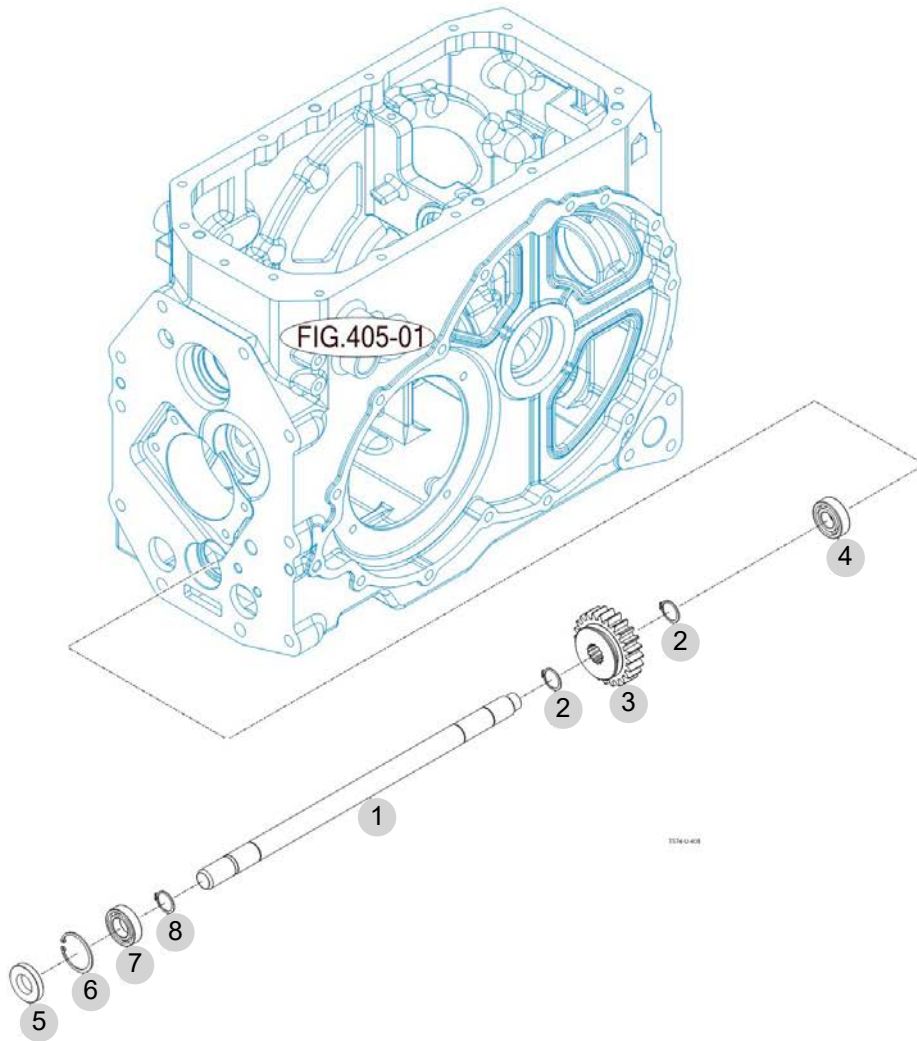
FIG 413

T495STEU1

DRIVE GEARS

년/월
Year/Month

2022-12



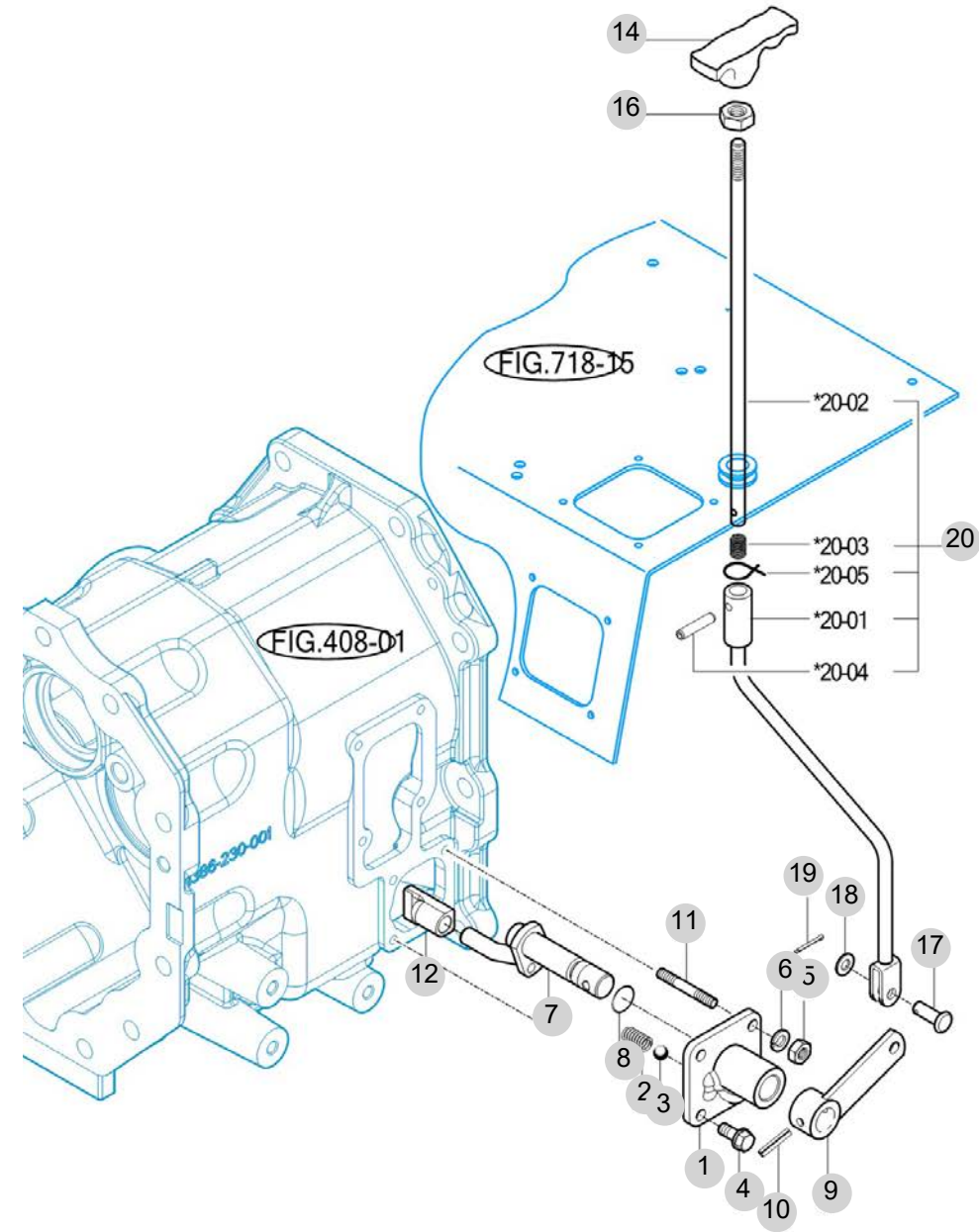
NOTE

FIG 414

4WD CHANGE LEVER

년/월
Year/Month

2022-12



*NOT SERVICED SEPARATELY

T483-E-414A

NOTE

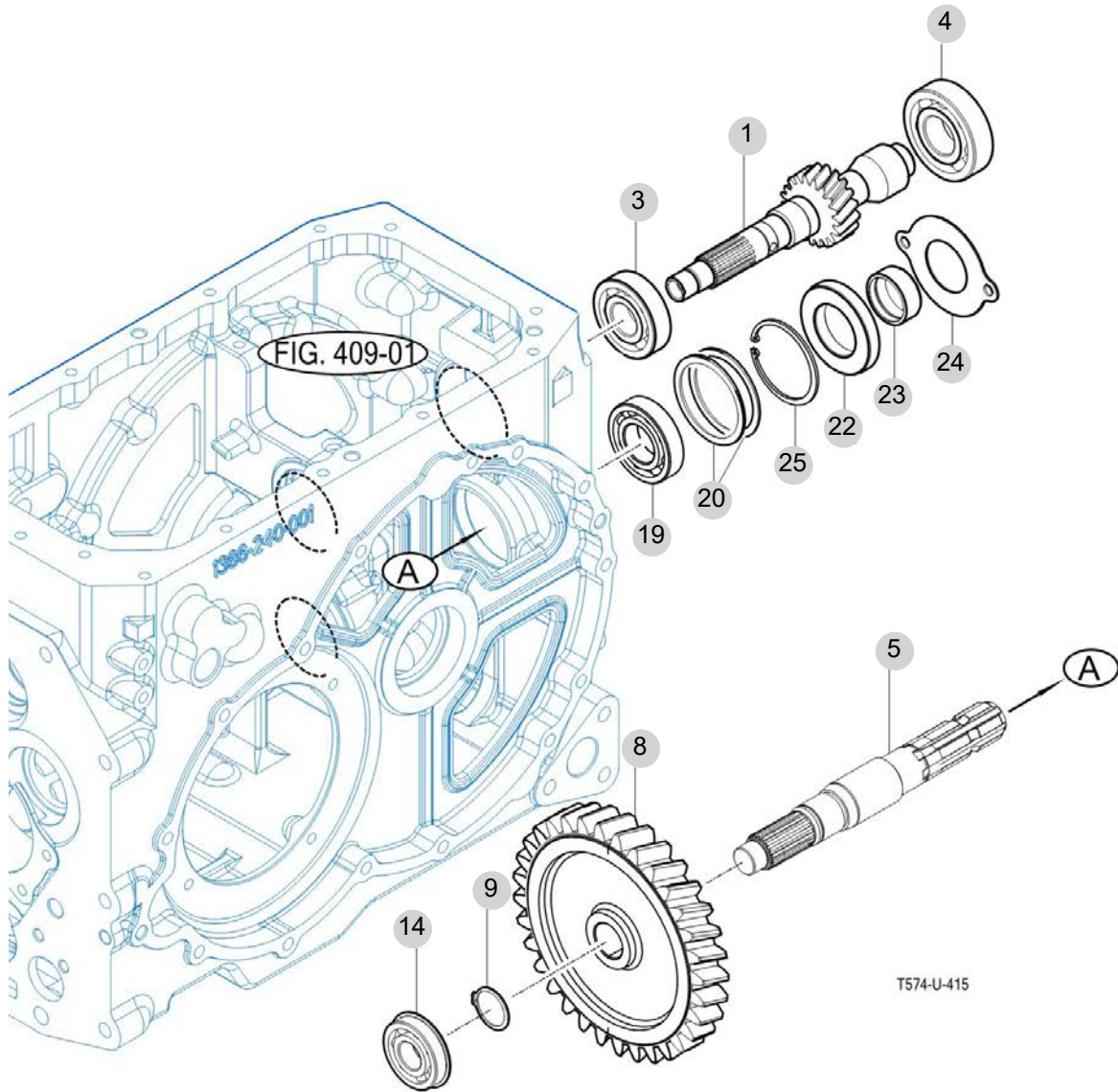
FIG 415

P.T.O CHANGE GEARS

년/월
Year/Month

2022-12

T495STEU1



NOTE

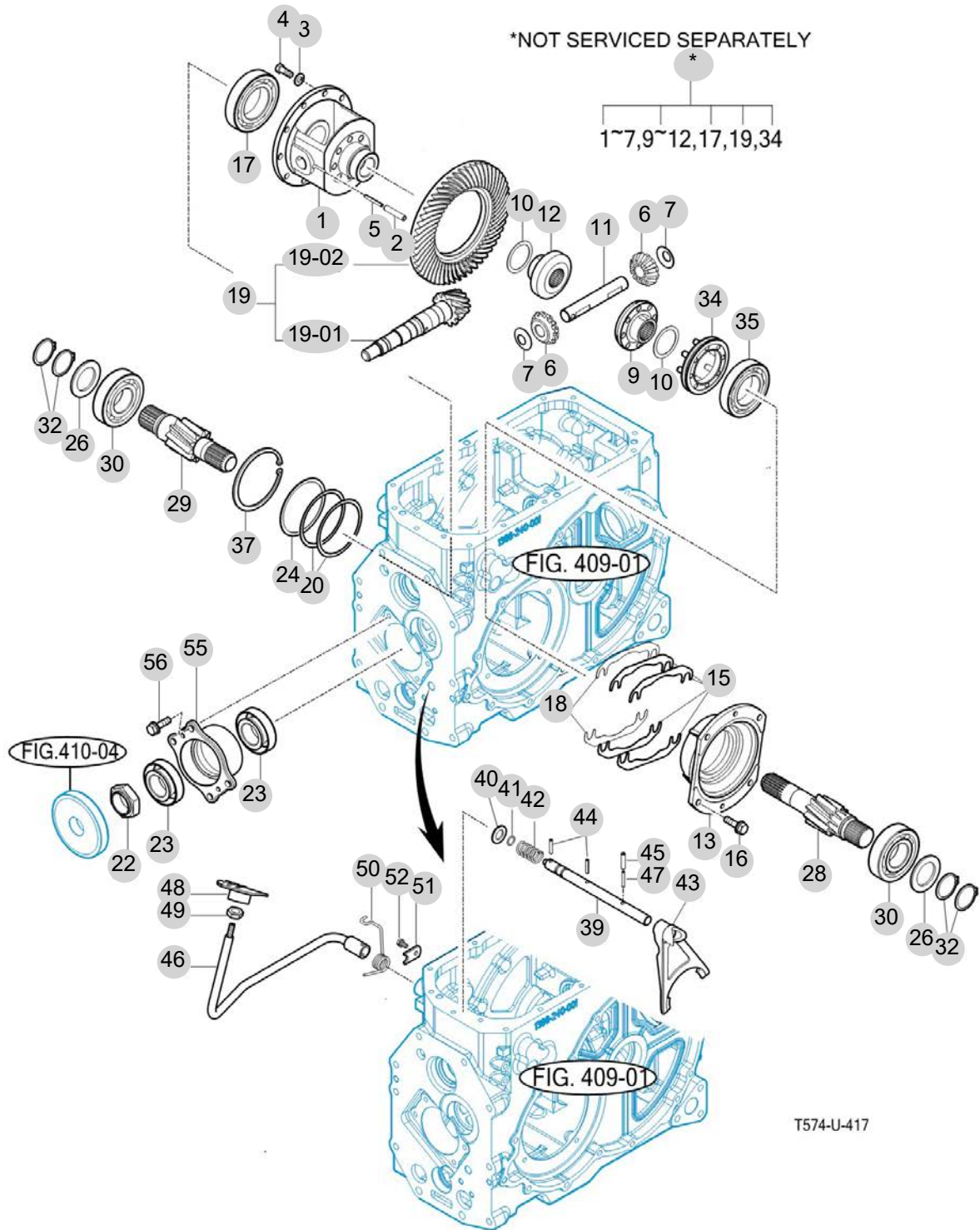
FIG 417

T495STEU1

REAR DIFFERENTIAL GEARS

년/월
Year/Month

2022-12



NOTE

FIG 417		REAR DIFFERENTIAL GEARS					년/월 Year/Month		
							2022-12		
T495STEU1		KEY NO	PART NO	DESCRIPTION	SPEC	QTY	REPAIR	EFFECTIVE DATE	REMARKS
417	0	13863031000	리어 차동장치 ASSY			1			
417	1	14523030010M	케이스(디프)			1			
417	2	V5801408040	스프링핀	8X50		1			
417	3	V4011600100	스프링와셔	M10		10			
417	4	V2024610025	소형육각볼트(가는)	M10X25		10			
417	5	V5801405036	스프링핀	5X36		1			
417	6	14523180041	피니언(차동)			2			
417	7	14523030080	칼라(피니언)	T=1.0		2			
417	9	14523180061	피니언(베벨/16 LH)			1			
417	10	14523030100	와셔(스러스트)	D=52.5		2			
417	11	14523030110	디프피니언샤프트	D=23		1			
417	12	14523180031	피니언(베벨/16 RH)			1			
417	13	14523030131M	메탈(LH/디프케이스)			1			
417	15	14523010090	심(B)	T=0.2		4			
417	16	V2173610025	소형육각볼트보통(S)	M10X25		4			
417	17	V6001106212	볼베어링	6212		1			
417	18	14523010080	심(A)	T=0.1		2			
417	19	13863022100	기어(10X41)SET			1			
417	19-01	13863022110	베벨 피니언			1			
417	19-02	14523022120	스파이럴베벨기어			1			
417	20	14523010050	심(0.1)	T=0.1		2			
417	22	15533030020	너트(M40XP1.5)			1			
417	23	V6321132208	테이퍼롤러베어링(보통)	32208CR		2			
417	24	14523010100	심(0.2)	T=0.2		1			
417	26	15133060030	스러스트칼라(45X68X4)			2			
417	28	14523060011	피니언(헬리컬/11/LH)			1			
417	29	14523060021	피니언(헬리컬/11/RH)			1			
417	30	V6041106309	볼베어링(HL1)	HL1		2			
417	32	V7041400450	C형멈춤링(축용)	45		4			
417	34	14523033400	슬리브COMP			1			
417	35	V6001106211	볼베어링	6211		1			
417	37	V7051401100	C형멈춤링(구멍용)	R110		1			
417	39	14523032002	샤프트(디프록)	D=20		1			
417	40	V4111600200	평와셔	M20		1			
417	41	V7201024016	O링(P)	P16		1			
417	42	17973030420	스프링	D=3.6		1			
417	43	14523190011M	포크(디프록)			1			
417	44	V5801406032	스프링핀	6X32		2			
417	45	V5801408036	스프링핀	8X36		1			
417	46	14543162101	디프록페달COMP			1			
417	47	V5801405036	스프링핀	5X36		1			
417	48	14521220120	페달COMP,액셀			1			
417	49	V3342600100	소형육각너트가는2종	M10		1			
417	50	14523160020	스프링(디프 페달)			1			
417	51	16703180191	플레이트	25X4.5T		1			
NOTE									

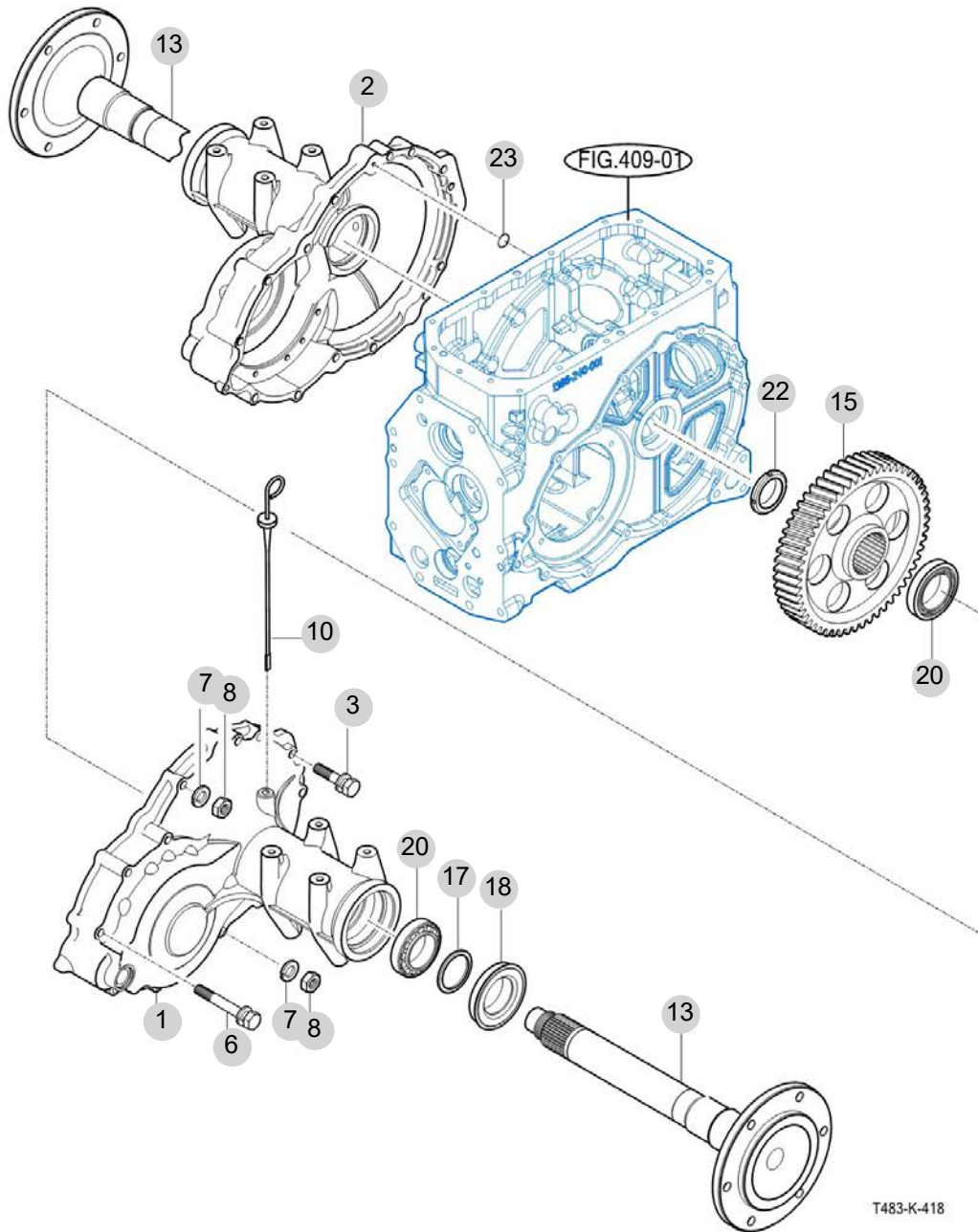
FIG 418

REAR AXLE HOUSING

년/월
Year/Month

2022-12

T495STEU1



T483-K-418

NOTE

5. 프런트 액슬 PART NO. T5

FIG 501 FRONT AXLE SUPPORT	172
FIG 502 FRONT DRIVE SHAFT	174
FIG 503 FRONT AXLE HOUSING	176
FIG 504 FRONT DIFFERENTIAL GEARS	178
FIG 505 FRONT GEAR CASE (1)	180
FIG 506 FRONT GEAR CASE (2)	182
FIG 507 FRONT GEAR CASE (3)	184

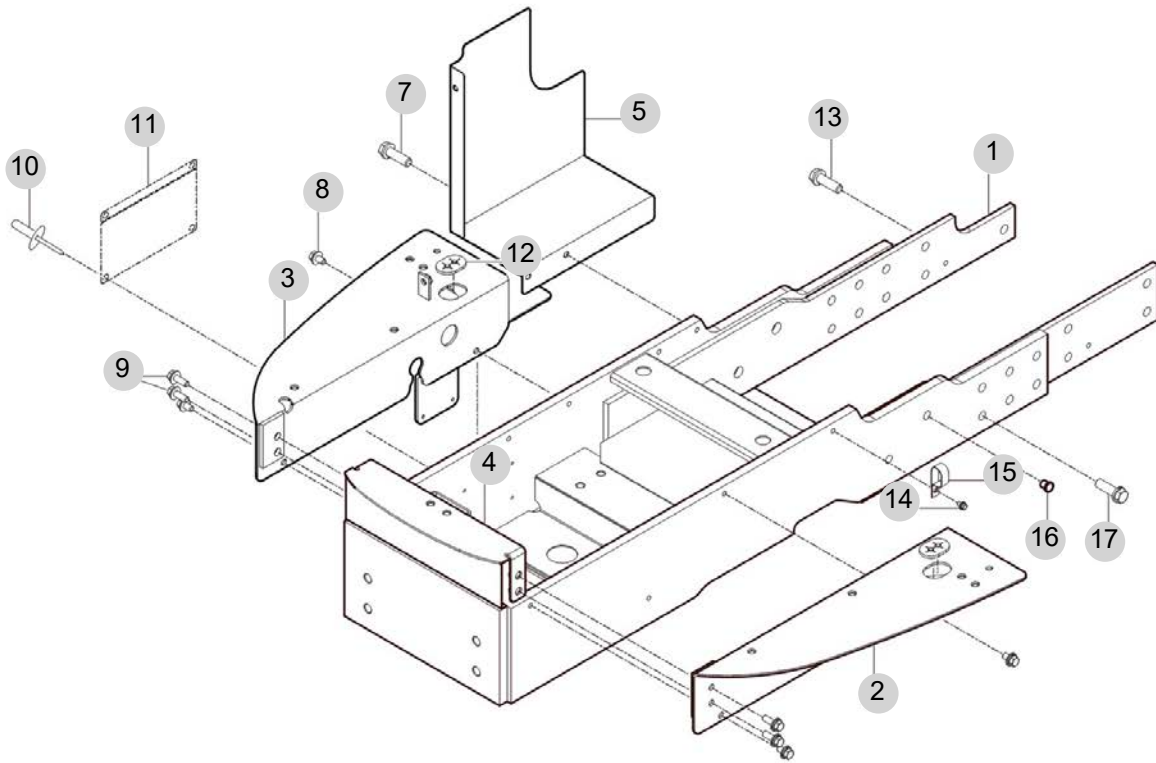
FIG 501

FRONT AXLE SUPPORT

년/월
Year/Month

2022-12

T495STEU1



TS74494-U-501

NOTE

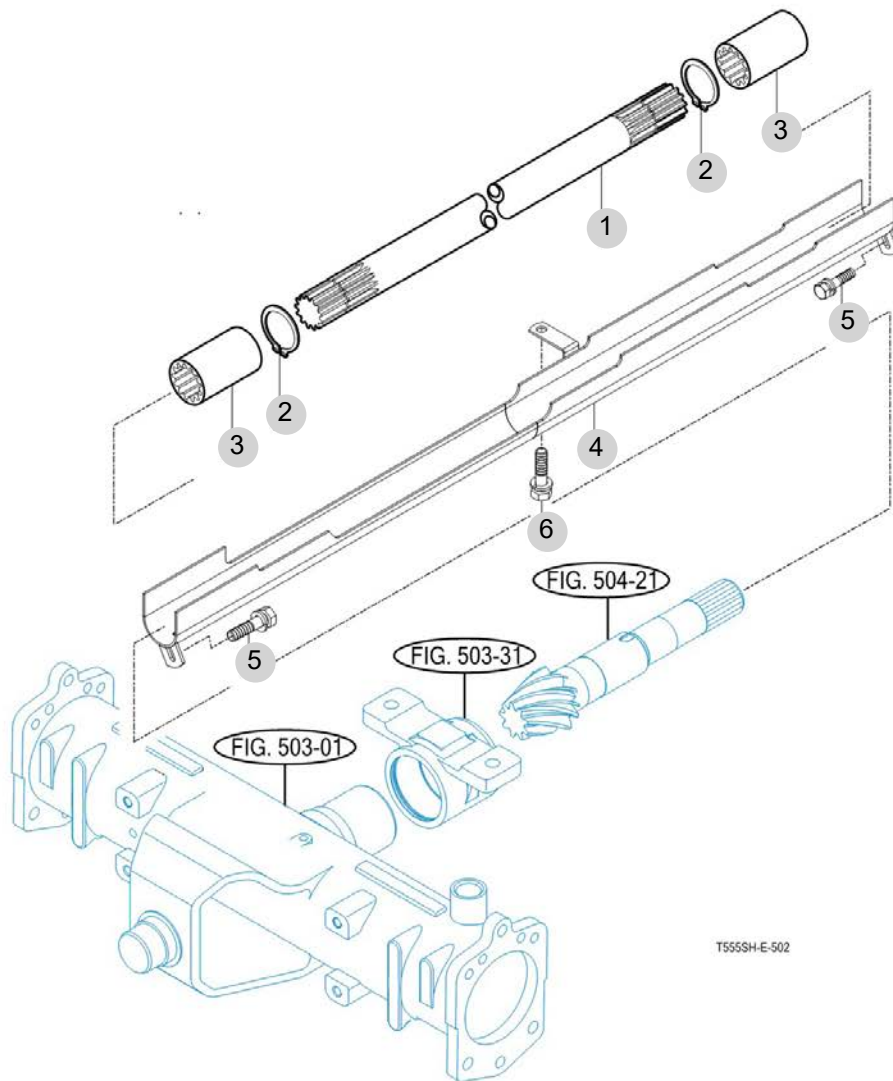
FIG 502

T495STEU1

FRONT DRIVE SHAFT

년/월
Year/Month

2022-12



T555SH-E-502

NOTE

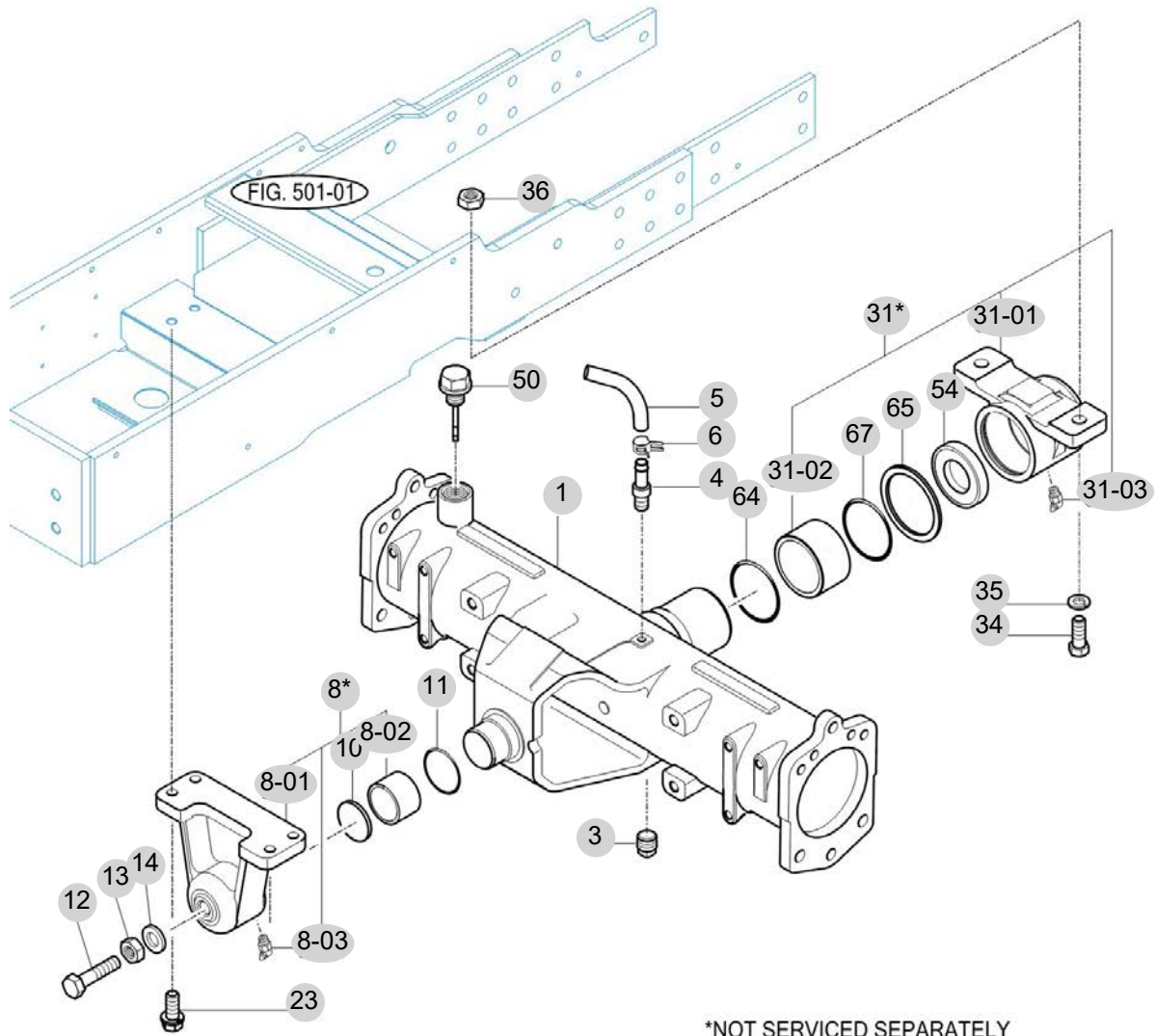
FIG 503

T495STEU1

FRONT AXLE HOUSING

년/월
Year/Month

2022-12



T574494-U-503

NOTE

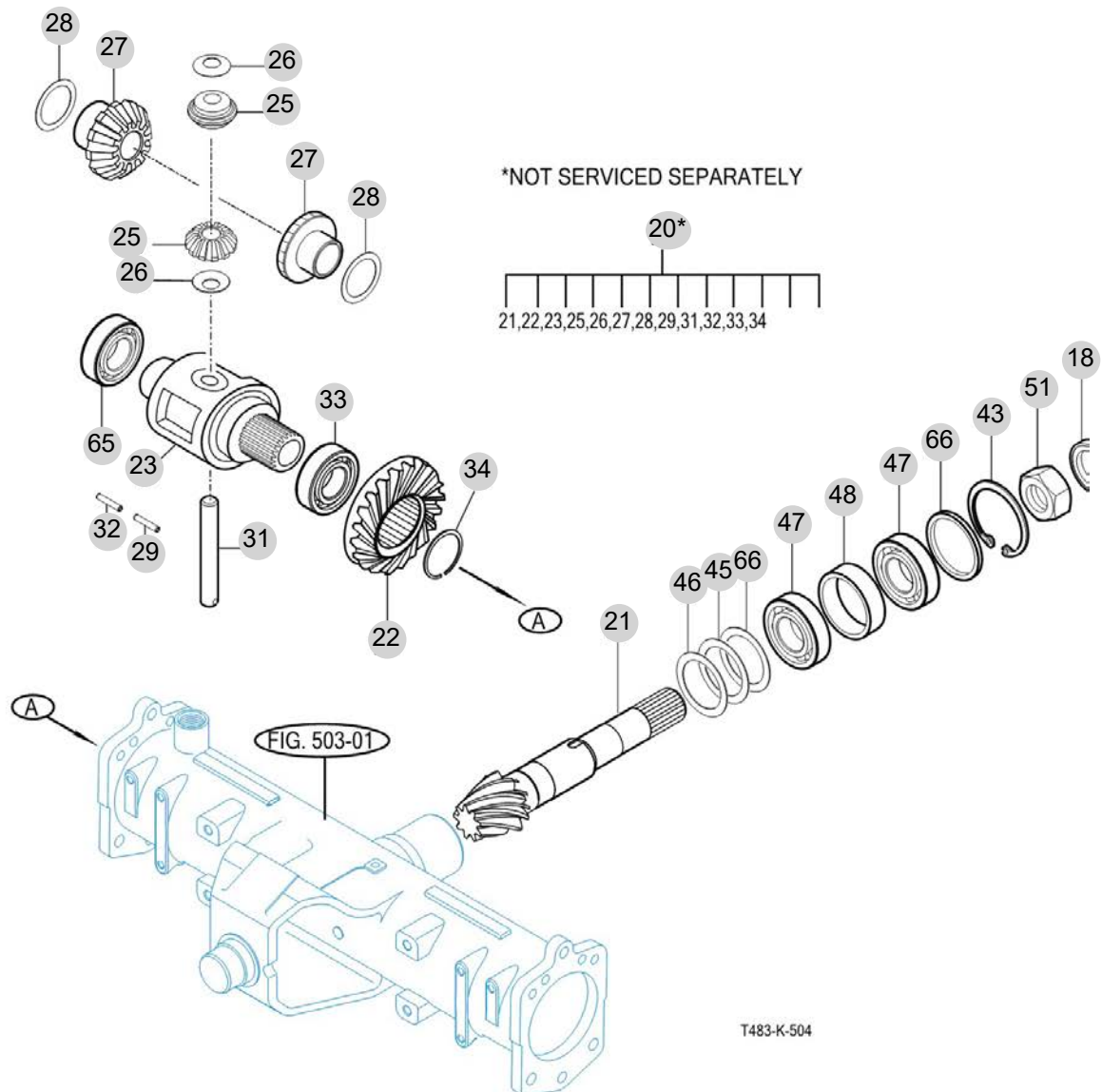
FIG 504

FRONT DIFFERENTIAL GEARS

년/월
Year/Month

2022-12

T495STEU1



NOTE

FIG 504		FRONT DIFFERENTIAL GEARS					년/월	
							Year/Month	
T495STEU1							2022-12	
KEY NO	PART NO	DESCRIPTION	SPEC	QTY	REPAIR	EFFECTIVE DATE	REMARKS	
504	18	V7441256210	오일실(D)	D256210	1			
504	20	16704112002	디프렌셜시스템(완)(전)		1			
504	20	16704112001	디프렌셜시스템(완)(전)		1			
504	21	16704112011	베벨피니언(8)		1			
504	21	16704112010	베벨피니언(8)		1			
504	22	16704112111	베벨기어(23)		1			
504	22	16704112110	베벨기어(23)		1			
504	23	16704310031	프런트디프케이스		1			
504	25	16704320020	차동피니언(12)		2			
504	26	14273010050	피니언스라스트칼라		2			
504	27	16704310160	차동사이드기어(20)		2			
504	28	16704320050	스러스트와셔		2			
504	29	V5801405025	스프링핀	5X25	1			
504	31	16704110060	차동피니언축		1			
504	32	V5801403025	스프링핀	3X25	1			
504	33	V6001106212	볼베어링	6212	1			
504	34	17994420060	C형멈춤링(축용)		1			
504	43	V7051400620	C형멈춤링(구멍용)	62	1			
504	45	14254310080	심(A)		1			
504	46	14152050160	심(B)		1			
504	47	15024320020	원추로올러베어링		2			
504	48	16704112120	칼라		1			
504	51	14884110090	너트(M30)		1			
504	65	V6001106211	볼베어링	6211	1			
504	66	16704110121	간격심		2			
NOTE								

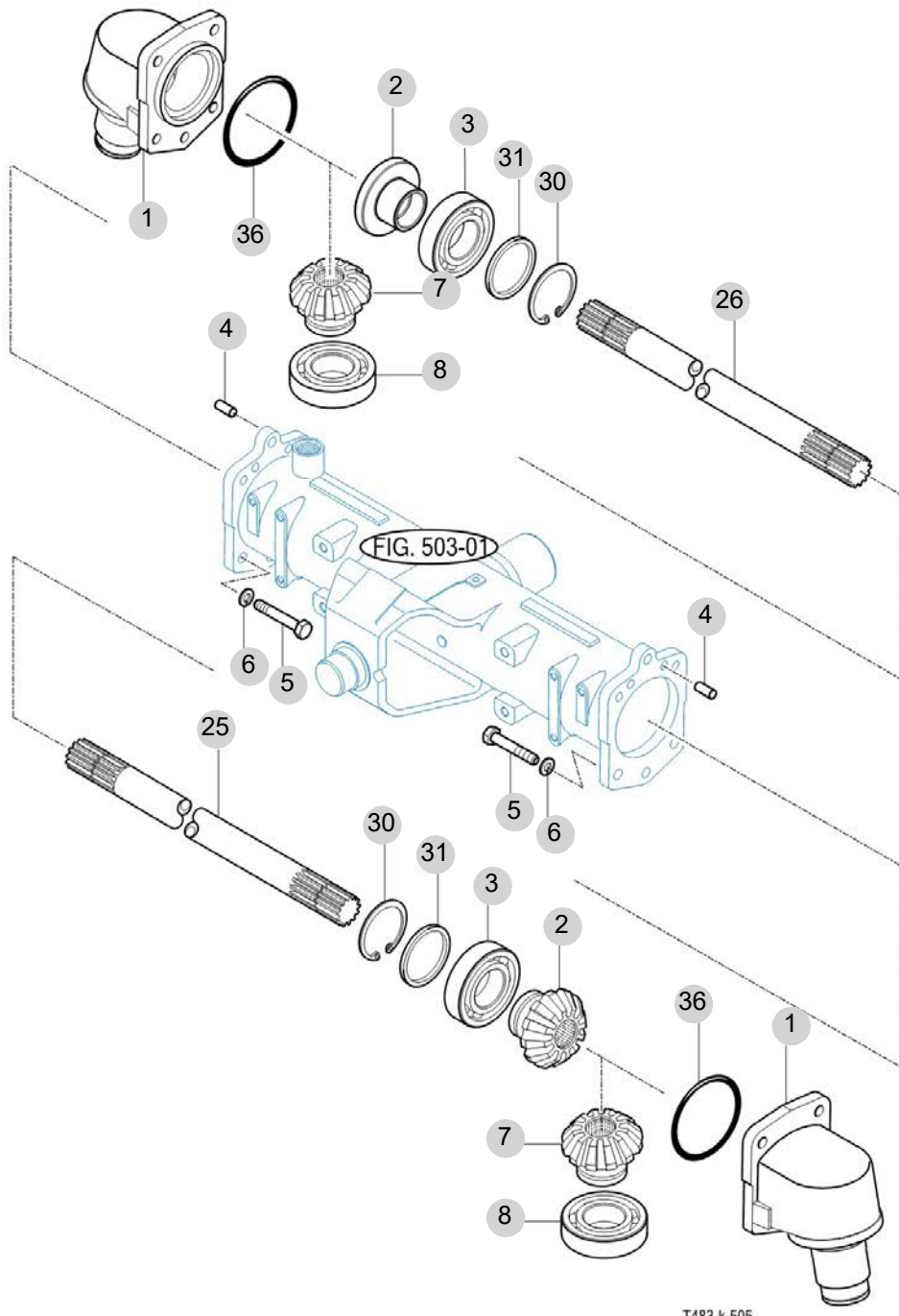
FIG 505

T495STEU1

FRONT GEAR CASE (1)

년/월
Year/Month

2022-12



T483-k-505

NOTE

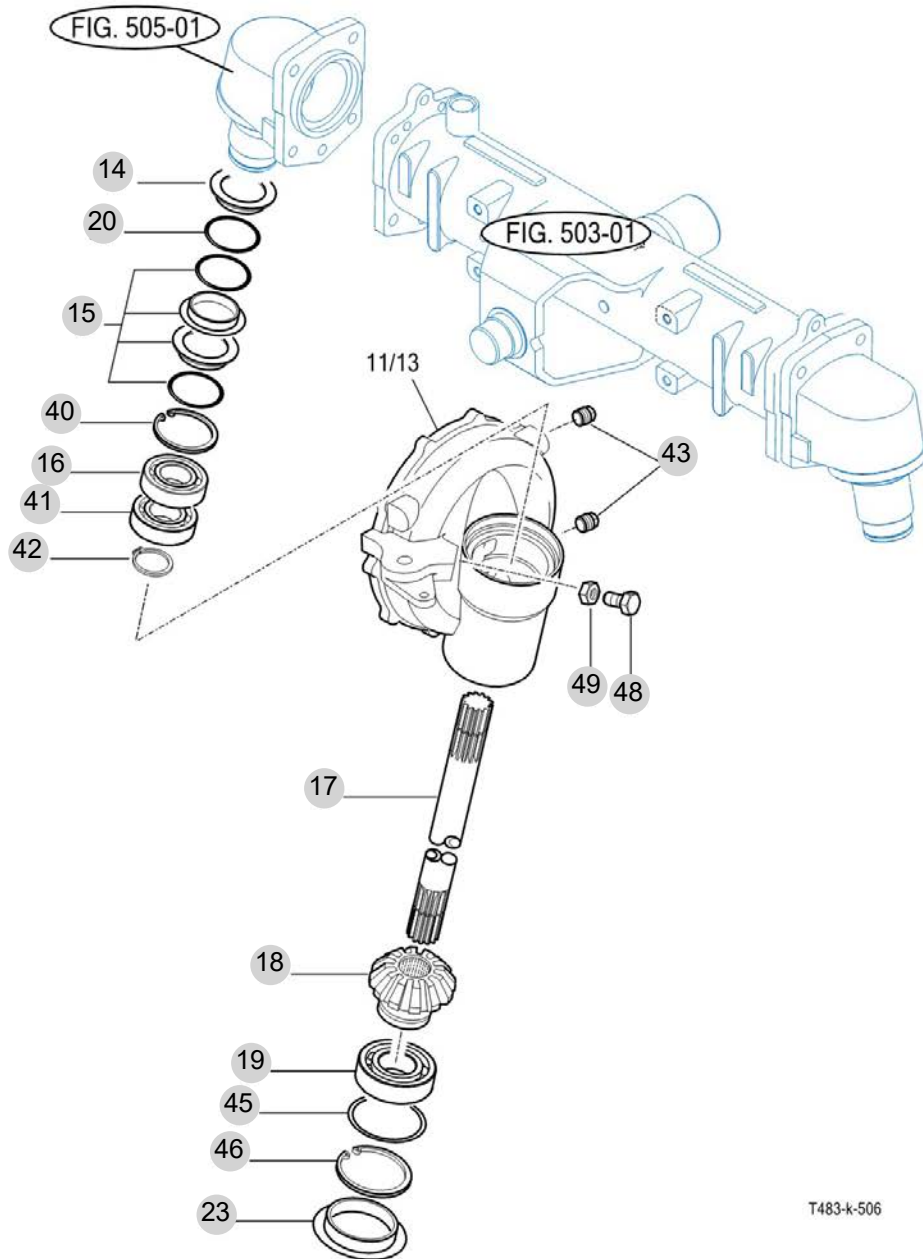
FIG 506

T495STEU1

FRONT GEAR CASE (2)

년/월
Year/Month

2022-12



T483-k-506

NOTE

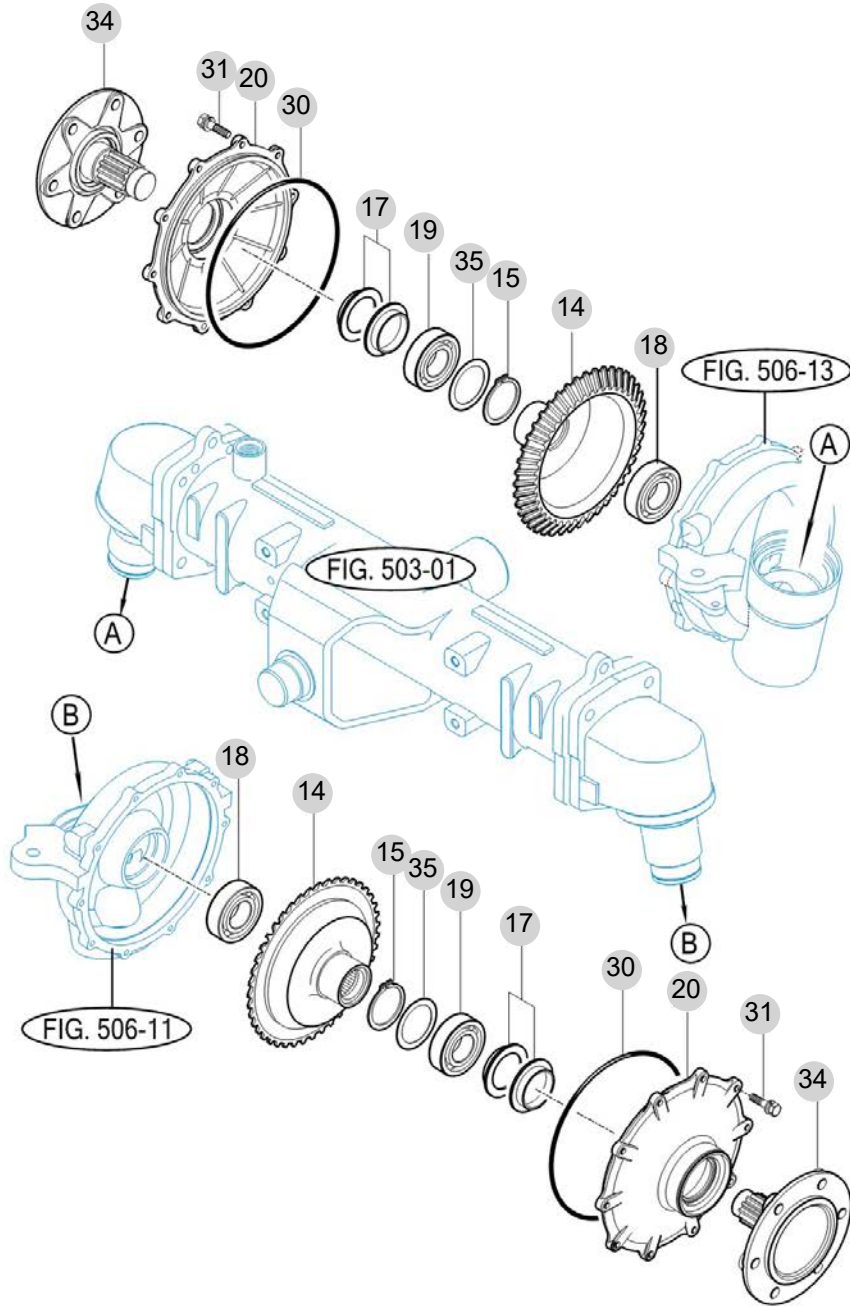
FIG 507

T495STEU1

FRONT GEAR CASE (3)

년/월
Year/Month

2022-12



NOTE

6. 유압/3점링크 PART NO. T6

FIG 601 CYLINDER CASE	187
FIG 602 LIFT ARM	189
FIG 603 CYLINDER	191
FIG 604 POSITION LINK	193
FIG 605 CONTROL VALVE	195
FIG 606 DRAFT LINK	197
FIG 607 POSITION & DRAFT LEVER (1)	199
FIG 607-2 POSITION & DRAFT LEVER (2)[SAP 가져오기]에서 생성함.	201
FIG 608 EXTERIOR HYD.VALVE	203
FIG 609 HYDRAULIC PIPE	205
FIG 610 JOYSTICK	207
FIG 612 HITCH & 3-POINT LINK	209
FIG 613 LOWER LINK & LIFT ROD	212

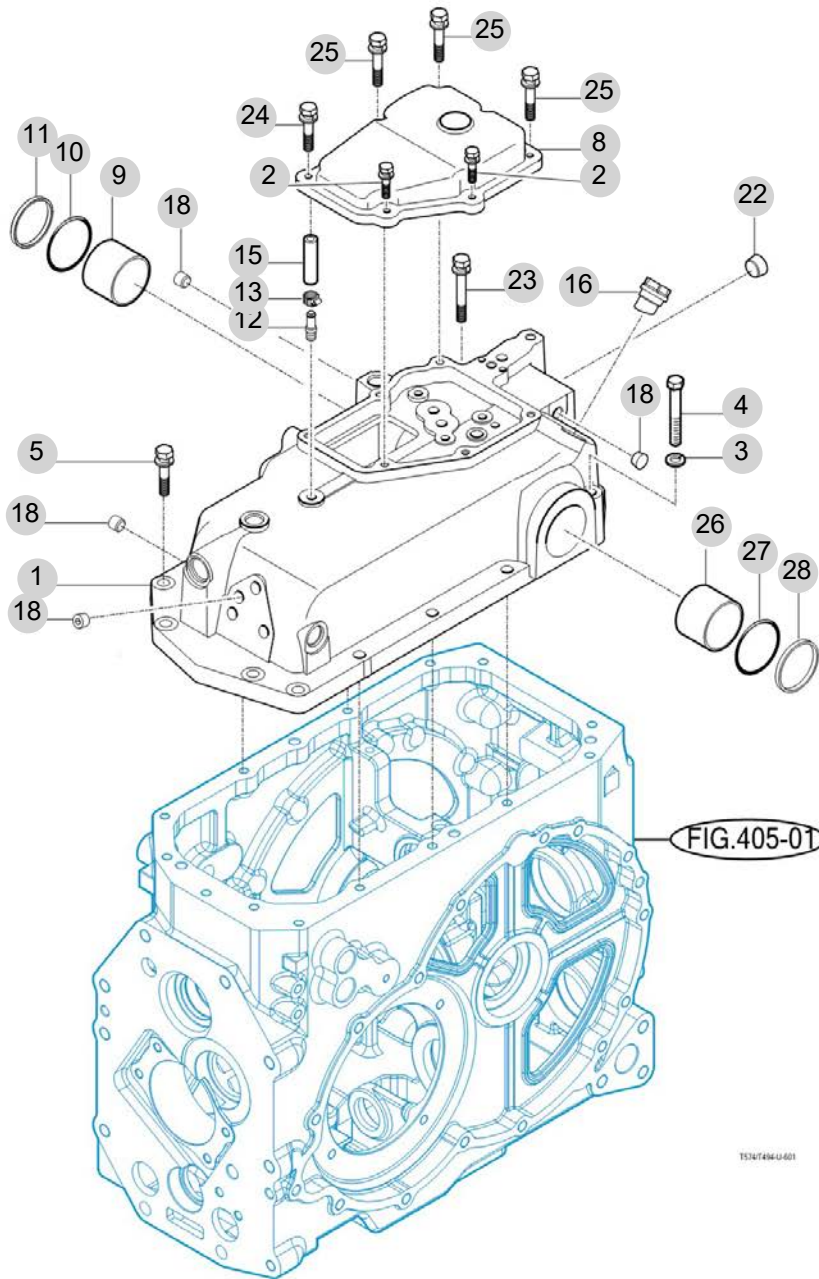
FIG 601

CYLINDER CASE

년/월
Year/Month

2022-12

T495STEU1



TSJUT495U-001

NOTE

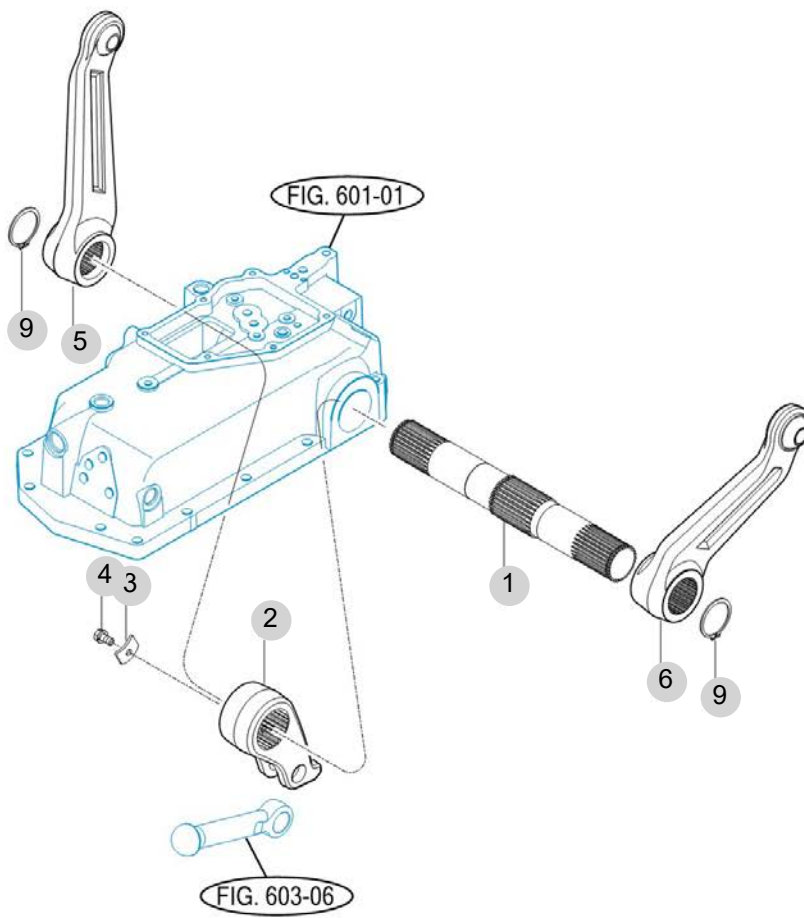
FIG 602

T495STEU1

LIFT ARM

년/월
Year/Month

2022-12



T483-K-602

NOTE

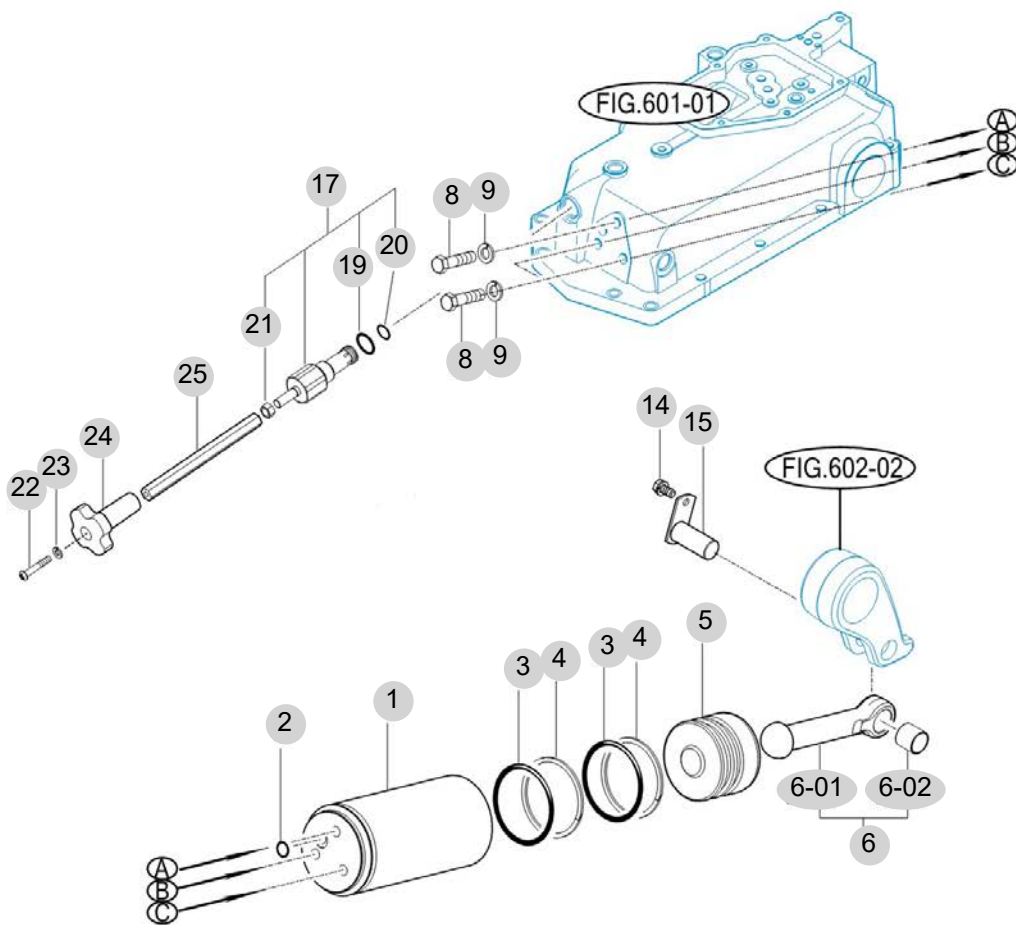
FIG 603

T495STEU1

CYLINDER

년/월
Year/Month

2022-12



T483-K-603

NOTE

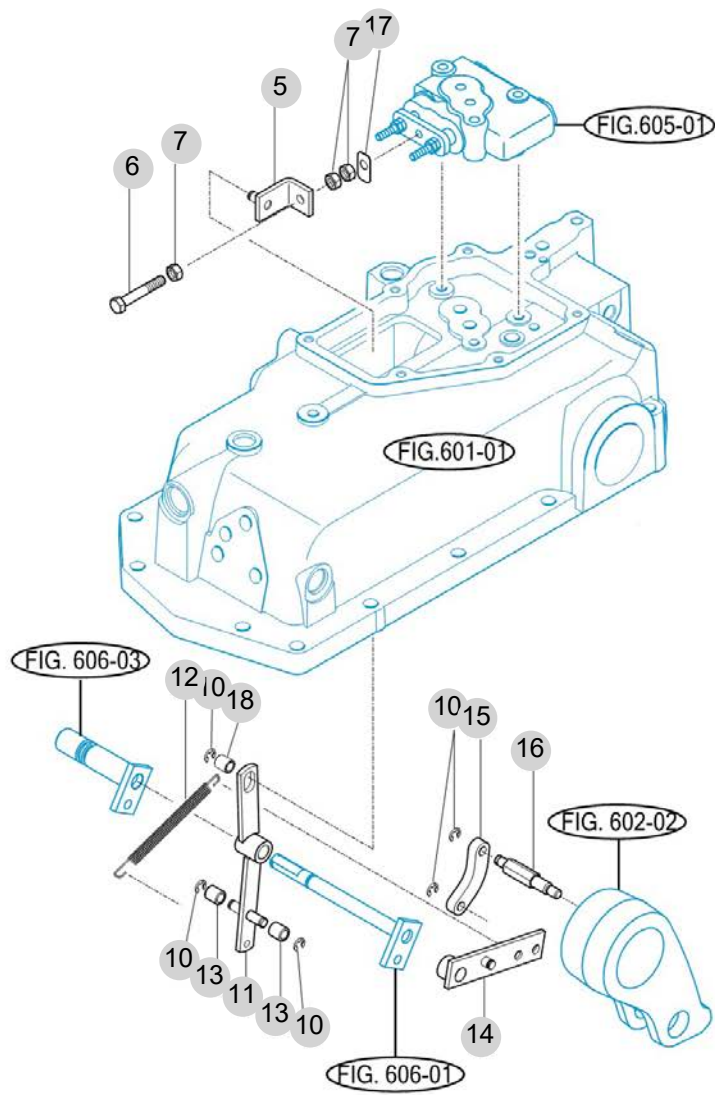
FIG 604

T495STEU1

POSITION LINK

년/월
Year/Month

2022-12



T483-K-604

NOTE

FIG 604 T495STEU1		POSITION LINK					년/월 Year/Month	
							2022-12	
							KEY NO	PART NO
604	5	17995040011	클레비스COMP		1			
604	6	V2013608050	소형육각볼트(보통)	M8X50	1			
604	7	V3043600080	소형육각너트보통2종	M8	3			
604	10	V7081400060	E형멈춤링	6	5			
604	11	17995041100	링크(벨브)COMP		1			
604	12	17995040121	스프링		1			
604	13	17995040130	로울러		2			
604	14	17995041400	암(링크)COMP		1			
604	15	17995040150	링크(크랭크리프트)		1			
604	16	17995040160	핀(링크)		1			
604	17	17995040170	록와셔		1			
604	18	17995040131	로울러		1			
NOTE								

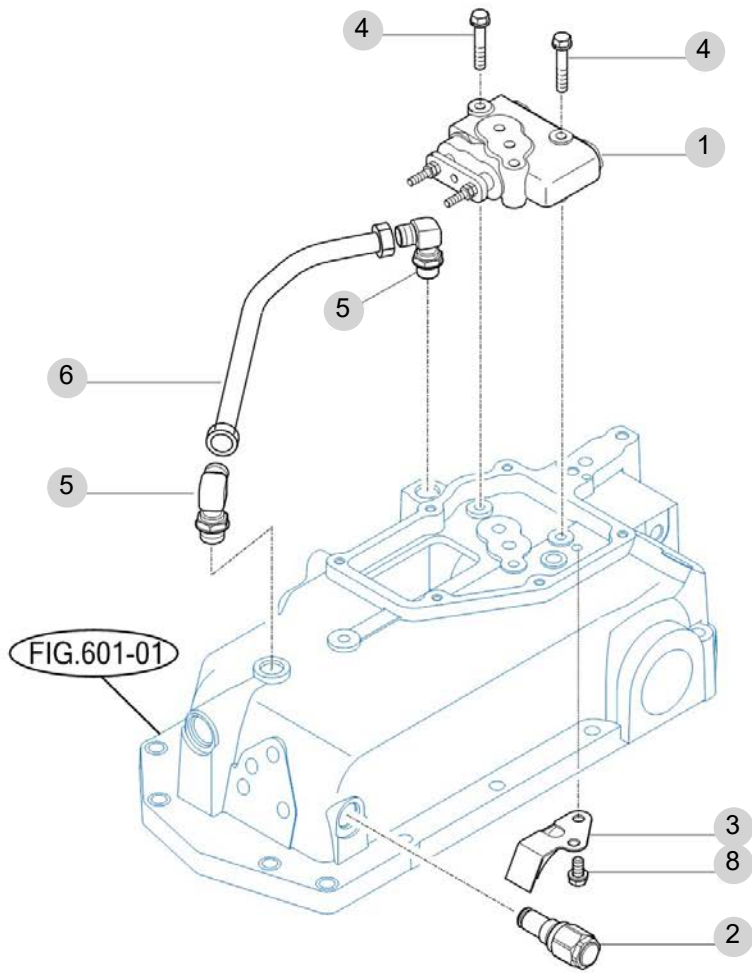
FIG 605

T495STEU1

CONTROL VALVE

년/월
Year/Month

2022-12



T483-K-605

NOTE

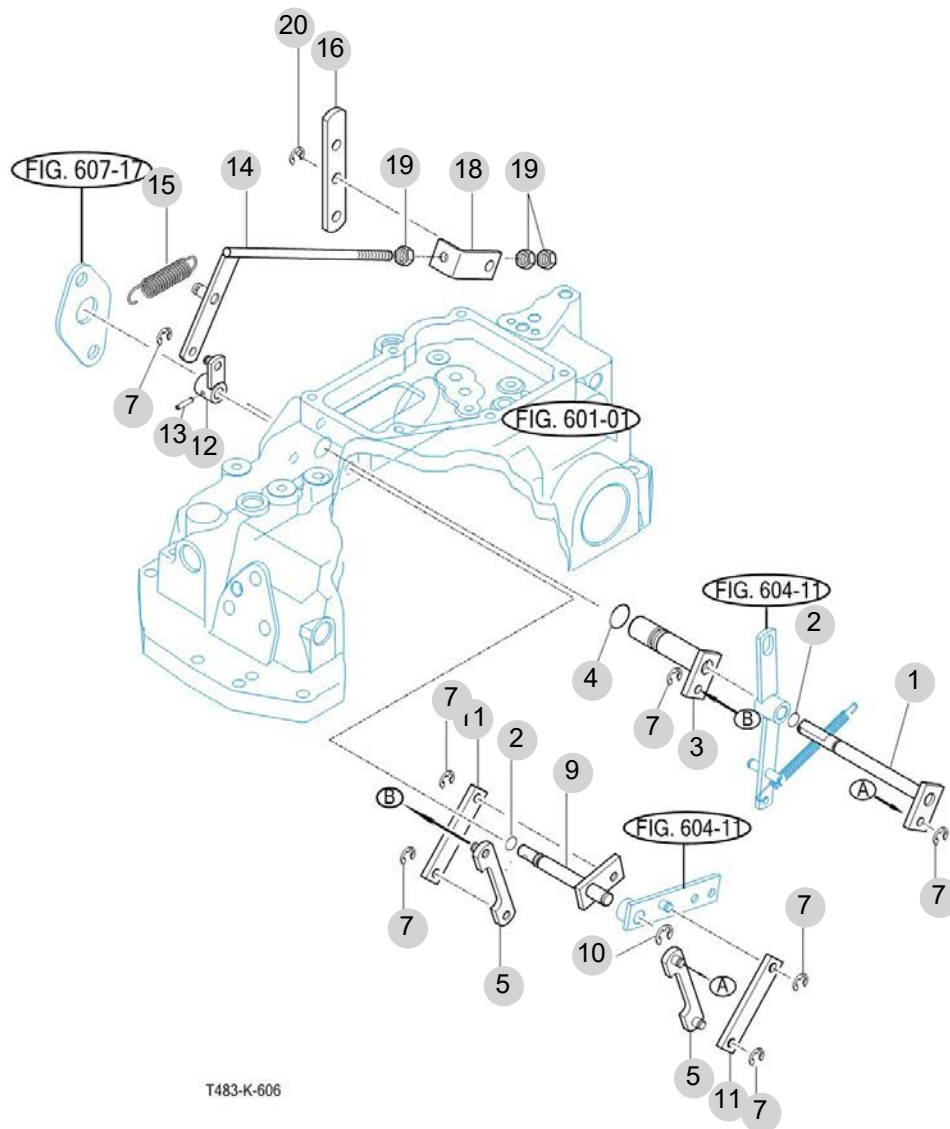
FIG 606

T495STEU1

DRAFT LINK

년/월
Year/Month

2022-12



T483-K-606

NOTE

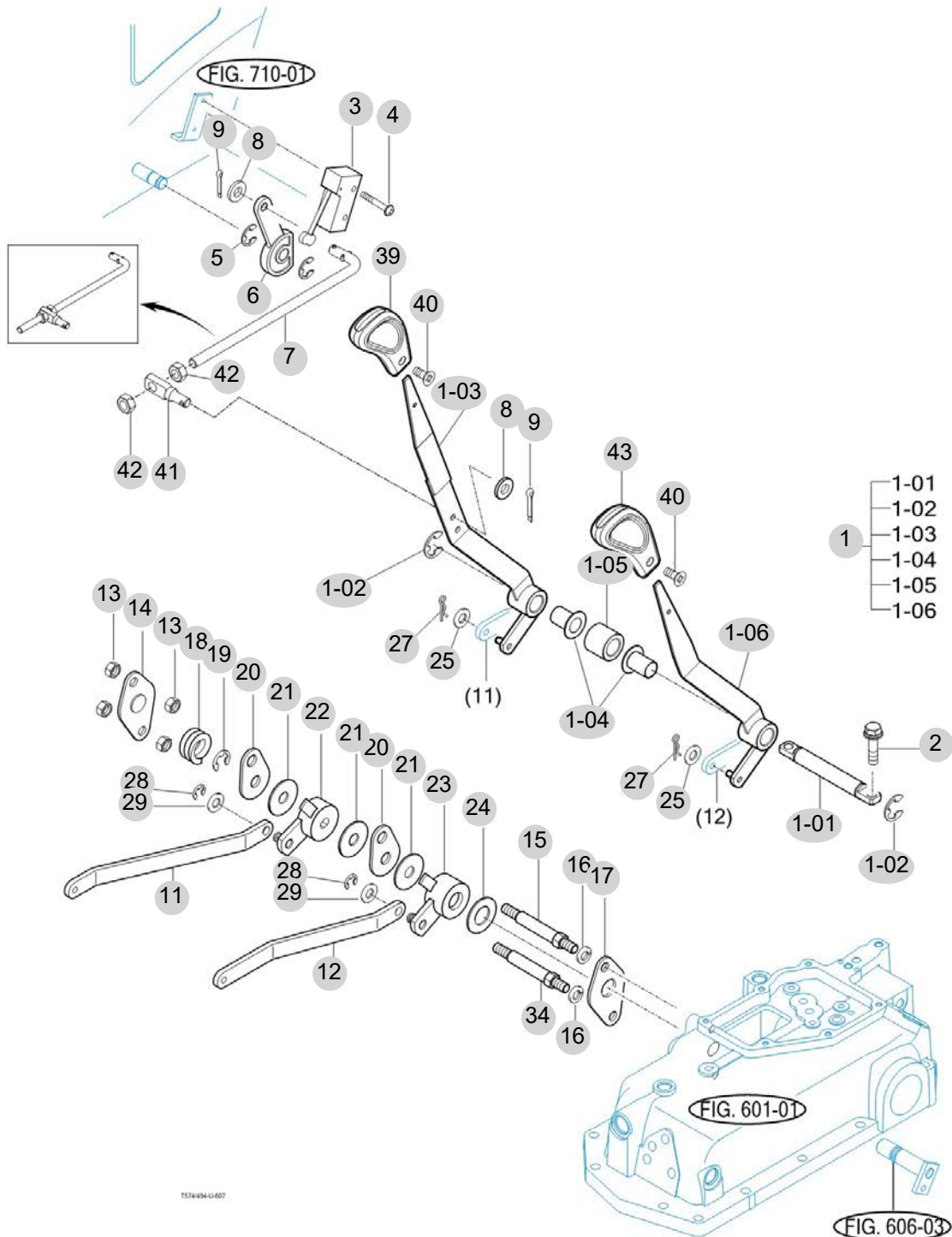
FIG 607

POSITION & DRAFT LEVER (1)

년/월
Year/Month

2022-12

T495STEU1



NOTE

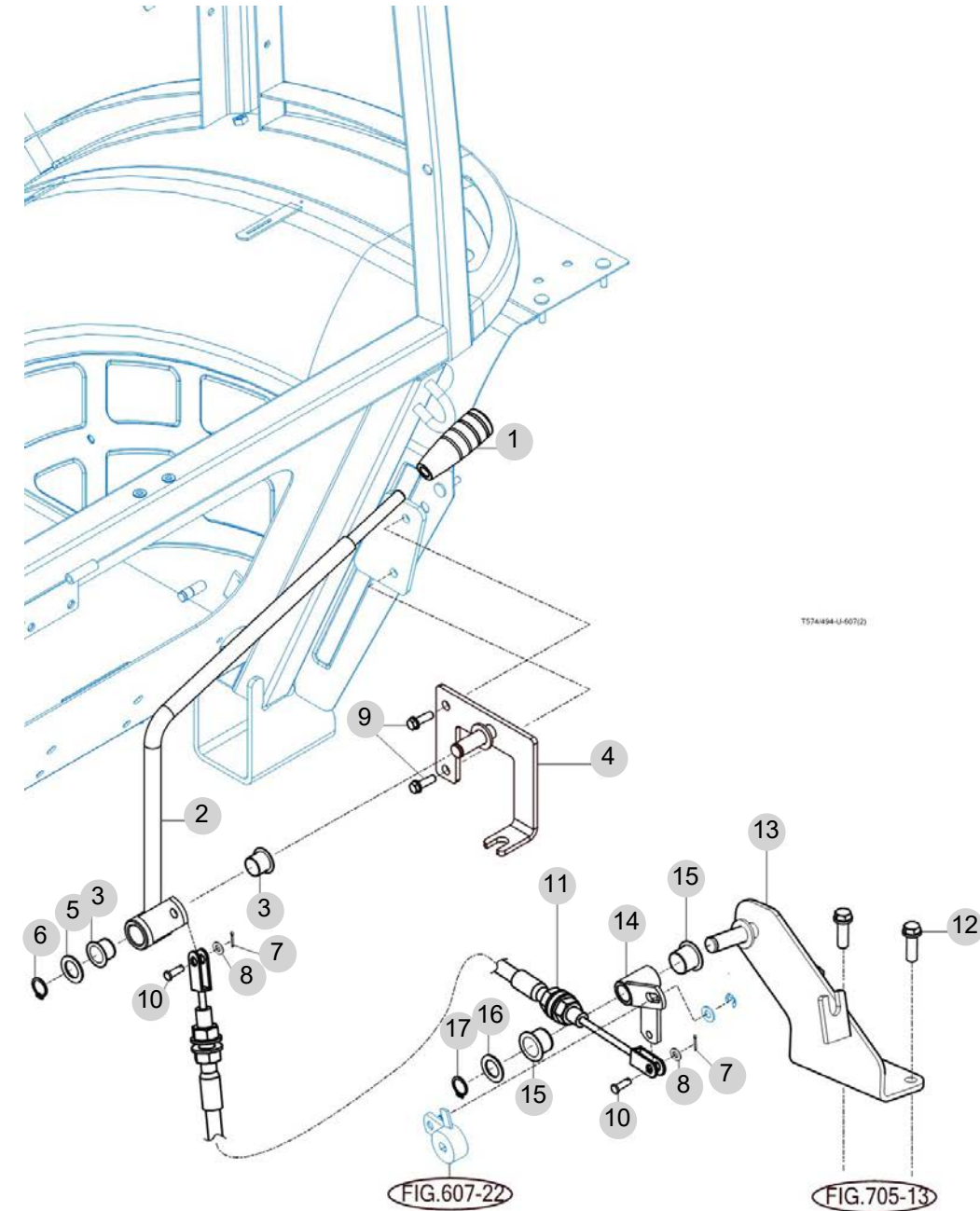
FIG 607		POSITION & DRAFT LEVER (1)					년/월 Year/Month	
T495STEU1							2022-12	
KEY NO	PART NO	DESCRIPTION	SPEC	QTY	REPAIR	EFFECTIVE DATE	REMARKS	
607	1	13877092100	레버서브, 포지션/드래프트		1			
607	1-01	14527092110	샤프트	D=16	1			
607	1-02	V7081400150	E형멈춤링	15	2			
607	1-03	13877092200GB	레버 COMP 포지션		1			
607	1-04	14527092120	부시, 나이론/16X18X27		2			
607	1-05	14527092251	칼라(스페이스)		1			
607	1-06	13877092300GB	레버 COMP, 드래프트		1			
607	2	V2183608020	소형육각볼트보통(SP)	M8X20	2			
607	3	16606742301	스위치(리미트)ASSY		1			
607	4	V1222604025	심자흡냄비작은나사(SP)	M4X25	2			
607	5	V7081400080	E형멈춤링	8	2			
607	6	14527090020	캠, 센서		1			
607	7	19997090010	로드, 스위치	D=6	1			
607	8	V4111600060	평와셔	M6	2			
607	9	V5001920020	분할핀	2X20	2			
607	11	14525070121	플레이트(포지션)	19X6T	1			
607	12	14525070141	플레이트(드래프트)	19X6T	1			
607	13	V3043600100	소형육각너트보통2종	M10	4			
607	14	17995070140	플레이트(C)	3.2T	1			
607	15	17995070150	지지볼트	H14X108.9	1			
607	16	V4011600100	스프링와셔	M10	2			
607	17	17995070170	플레이트(D)	3.2T	1			
607	18	17995070180	스프링		1			
607	19	V7081400120	E형멈춤링	12	1			
607	20	17995070200	플레이트(A)	3.2T	2			
607	21	17995070211	마찰판(소)		3			
607	21	13835070210	마찰판(소)		3			
607	22	14525070221	암(포지션레버)COMP		1			
607	23	14525070230	암COMP(드래프트 레버)		1			
607	24	17995070241	마찰대(대)	21X40X2T	1			
607	24	13835070220	마찰대(대)		1			
607	25	V4111600060	평와셔	M6	2			
607	27	21306010180	헤어핀(6)		2			
607	28	V7081400080	E형멈춤링	8	2			
607	29	V4111600100	평와셔	M10	2			
607	34	17995070340	지지볼트		1			
607	39	13877553400	손잡이, 포지션레버		1			
607	40	V1122605012	심자흡점시작은나사	M5X12	2			
607	41	19997090210	핀, 포지션로드		1			
607	42	V3002600060	육각너트보통1종	M6	2			
607	43	13877553500	손잡이, 드래프트 레버		1			
NOTE								

FIG 607-2

POSITION & DRAFT LEVER (2)[SAP 가져오기]
에서 생성함.

년/월
Year/Month

2022-12



NOTE

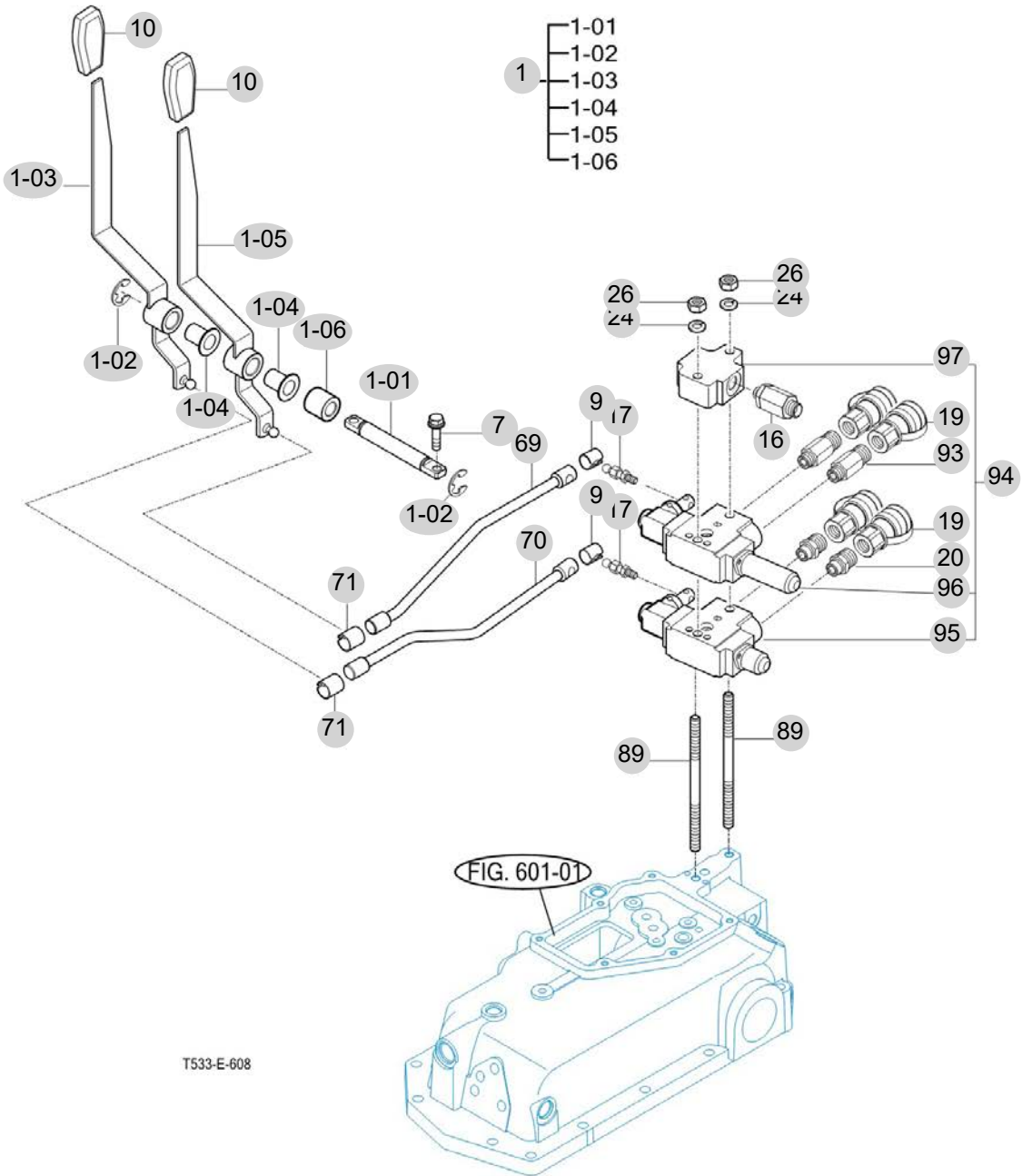
FIG 608

T495STEU1

EXTERIOR HYD.VALVE

년/월
Year/Month

2022-12



NOTE

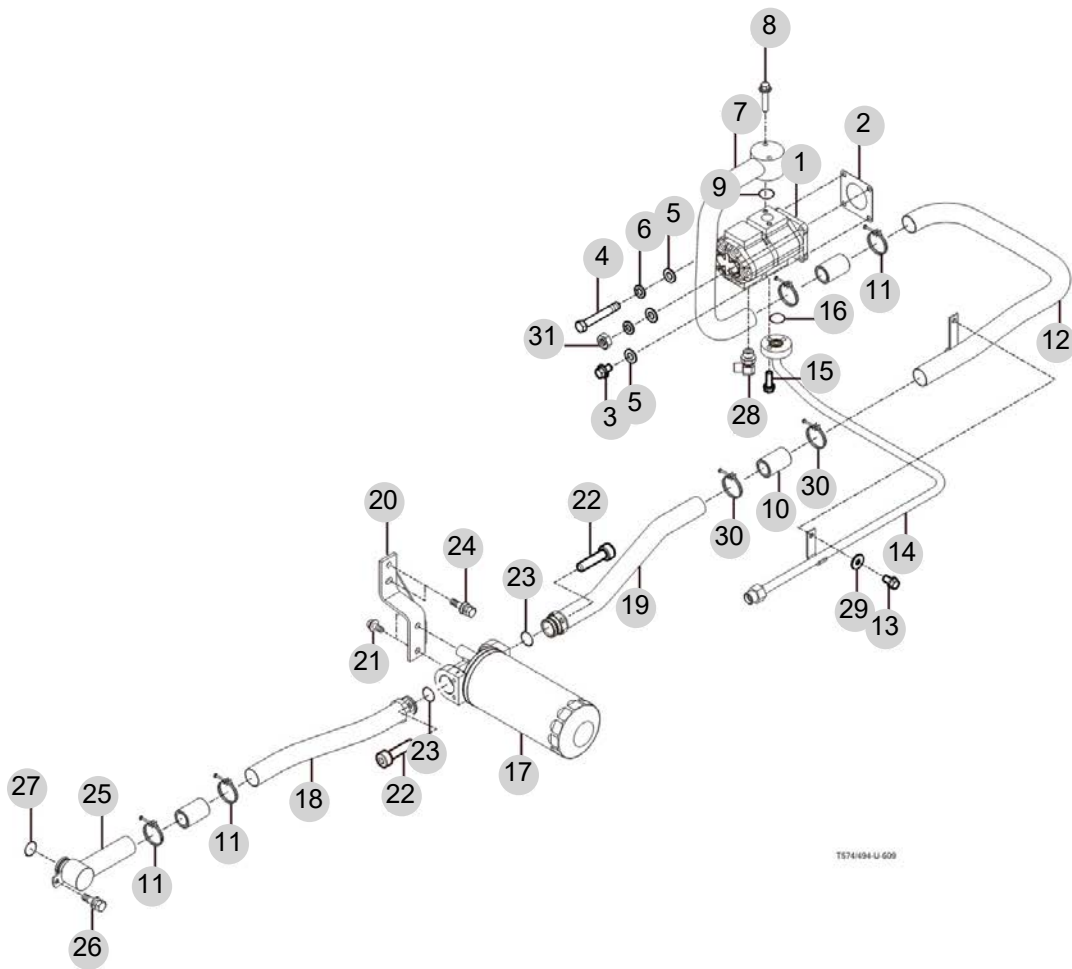
FIG 609

HYDRAULIC PIPE

년/월
Year/Month

2022-12

T495STEU1



NOTE

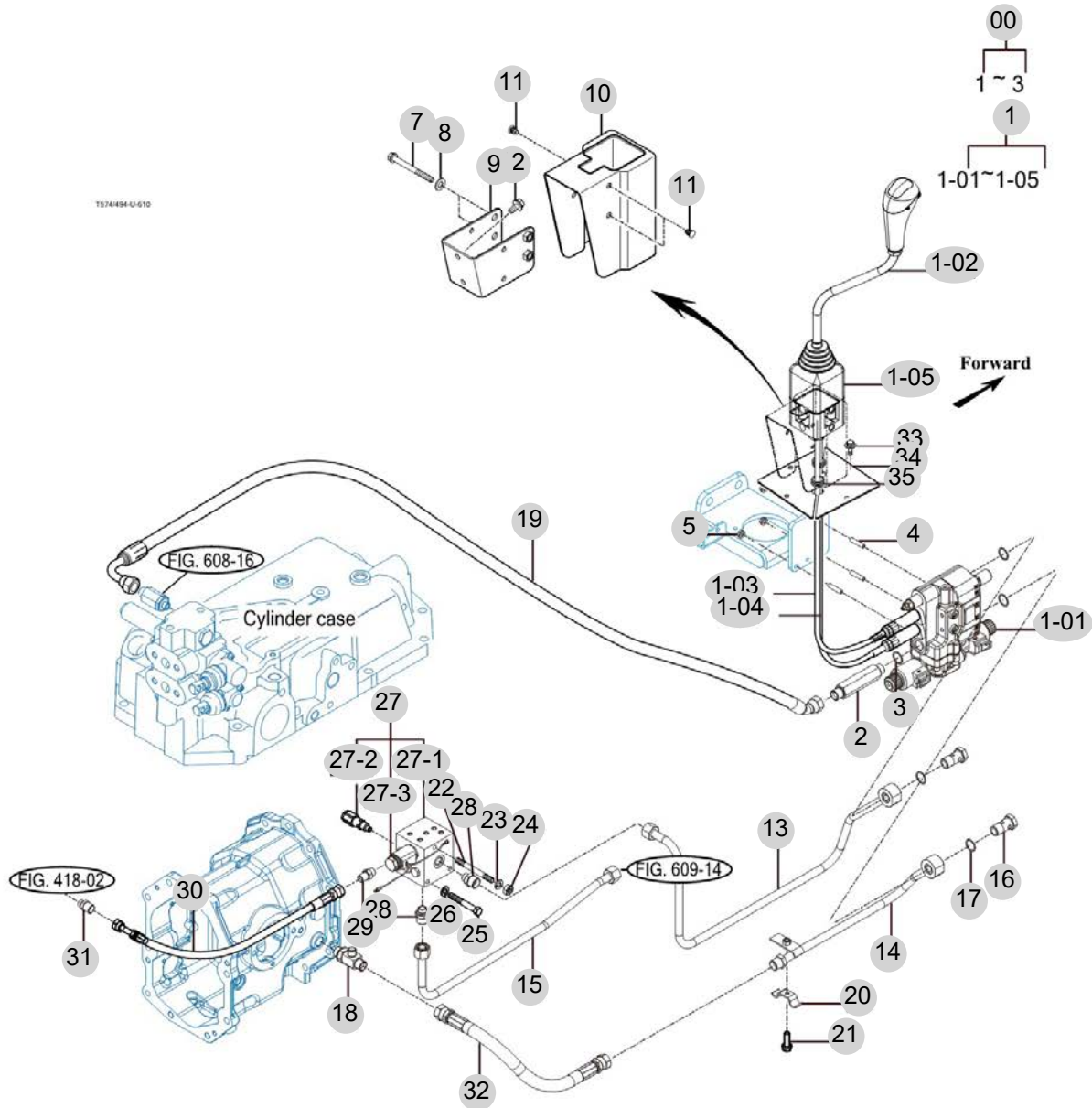
FIG 610

T495STEU1

JOYSTICK

년/월
Year/Month

2022-12



NOTE

FIG 610		JOYSTICK					년/월 Year/Month	
T495STEU1							2022-12	
KEY NO	PART NO	DESCRIPTION	SPEC	QTY	REPAIR	EFFECTIVE DATE	REMARKS	
610	0	13877753000	로더밸브 SUB			1		
610	1	13877752000	로더밸브 조이스틱 ASSY			1		
610	1-01	13877752100	로더밸브 ASSY			1		
610	1-02	13877752200	조이스틱 레버 ASSY			1		
610	1-03	13877752300	조이스틱 케이블 ASSY ,상(720)			1		
610	1-04	13877752400	조이스틱 케이블 ASSY ,하(770)			1		
610	1-05	13877752500	부츠 ASSY			1		
610	2	13805410050	유니온(PF1/2-130)			1		
610	3	19557753010	본디드 썸 , PF1/2			1		
610	4	V2513408025	스터드볼트2종	8X25		3		
610	5	V3802600080	플랜지볼이육각너트	M8		3		
610	7	V2173608085	소형육각볼트보통(S)	M8X85		2		
610	8	V4111600080	평와셔	M8		2		
610	9	14527103100GB	조이스틱브래킷			1		
610	10	14527100010	커버(조이스틱/T483)			1		
610	11	15276040020	트림 클립(8)			3		
610	12	V2183608020	소형육각볼트보통(SP)	M8X20		2		
610	13	13865412101	로더파이프 COMP , P			1		
610	14	13875412201	로더파이프 COMP , T			1		
610	15	13865102200	메인파이프 COMP , 후			1		
610	16	13875410081	아이 조인트 볼트 (PF1/2)			2		
610	17	19557753010	본디드 썸 , PF1/2			4		
610	18	15165161130	T엘보 (PF1/2,PF3/8)			1		
610	19	13875202300	유압호스(1550)ASSY			1		
610	20	18715404700	클립			1		
610	21	V2173608016	소형육각볼트보통(S)	M8X16		1		
610	22	V2513408090	스터드볼트2종	8X90		1		
610	23	V4011600080	스프링와셔	M8		1		
610	24	V3042600080	소형육각너트보통2종	M8		1		
610	25	V2013608090	소형육각볼트(보통)	M8X90		2		
610	26	V4011600080	스프링와셔	M8		1		
610	27	13875182000	PTO밸브ASSY			1		
610	27	17975182001	PTO밸브ASSY			1		
610	27-1	14725182100	PTO 밸브			1		
610	27-2	16490110001	릴리프밸브ASSY			1		
610	27-3	14725182210	슬레노이드 코일			1		
610	28	14135160010	유니온 , PF3/8 M22			2		
610	29	37681850141	어댑터(직선)			1		
610	30	14525180361	유압호스(690)ASSY			1		
610	31	17971850140	어댑터(직선, PF1/4)			1		
610	32	13865202200	유압호스(450)ASSY			1		
610	33	V2193606016	육각볼트(SPL)	M6X16		4		
610	34	17685161810GB	플레이트(썸)			2		
610	35	14526300530	인술레이터(조이스틱)			2		

NOTE

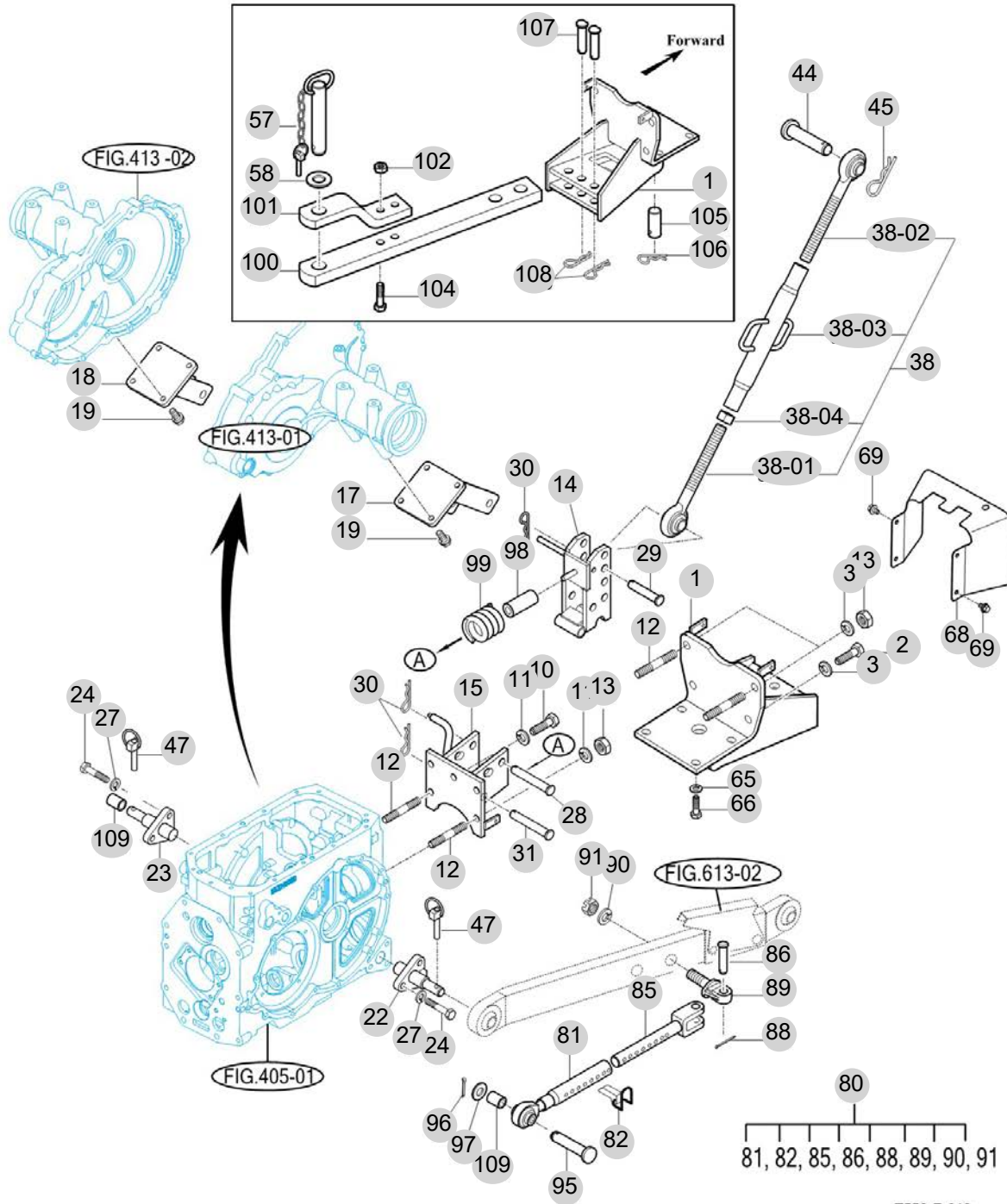
FIG 612

HITCH & 3-POINT LINK

년/월
Year/Month

2022-12

T495STEU1



T553-E-612

NOTE

FIG 612 T495STEU1		HITCH & 3-POINT LINK					년/월 Year/Month	
							2022-12	
KEY NO	PART NO	DESCRIPTION	SPEC	QTY	REPAIR	EFFECTIVE DATE	REMARKS	
612	1	15535202001GB	스윙드로바 브래킷, COMP		1			
612	1	15535202002GB	스윙드로바 브래킷, COMP		1			
612	1	15535202003GB	스윙드로바 브래킷, COMP		1			
612	1	15175202003GB	브래킷COMP, 스윙드로바		1			
612	2	V2013616035	소형육각볼트(보통)	M16X35	2			
612	3	V4011600160	스프링와셔	M16	4			
612	10	V2013616035	소형육각볼트(보통)	M16X35	3			
612	11	V4011600160	스프링와셔	M16	5			
612	12	V2513416035	스터드볼트2종	M16X35	4			
612	13	V3043600160	소형육각너트보통2종	M16	4			
612	14	16735222102GB	링크 COMP		1			
612	15	15185222000GB	브래킷 COMP		1			
612	17	14525254100GB	브래킷(후)COMP		1			
612	18	14525254100GB	브래킷(후)COMP		1			
612	19	V2173612030	소형육각볼트보통(S)	M12X30	8			
612	22	15685252204	핀(L) COMP		1			
612	23	15685252801	핀(R) COMP		1			
612	24	V2013614040	소형육각볼트(보통)	M14X40	6			
612	27	V4011600140	스프링와셔	M14	6			
612	28	15645250010	핀(19X122)		1			
612	29	15645220020	핀(19X95)		1			
612	30	14445140051	헤어핀(19)		3			
612	31	15645250010	핀(19X122)		1			
612	38	16505245501GB	톱링크ASSY		1			
612	38	16505245502GB	톱링크 ASSY		1			
612	38-01	16505245510	톱링크COMP(RH)		1			
612	38-02	16505245520	톱링크COMP(LH)		1			
612	38-03	14555140251	턴버클 조합(톱링크)		1			
612	38-04	16505245530	육각너트		1			
612	44	15645220011	핀(19X86)		1			
612	45	14445140051	헤어핀(19)		1			
612	47	14215020020	링크핀		2			
612	57	S0973063031	핀ASSY		1			
612	58	15252470010	쿠션고무		1			
612	65	V4011600140	스프링와셔	M14	4			
612	66	V2013614035	소형육각볼트(보통)	M14X35	4			
612	68	13605200012GB	커버(씰드)		1			
612	69	V2183608016	소형육각볼트보통(SP)		4			
612	80	15155253000GB	조정링크(완)ASSY		2			
612	81	15155253100	로드 SUB, FR		2			
612	82	17705254200	린치핀		2			
612	85	15155253300	로드 SUB, RR		2			
612	86	15155253400	핀, ø20X59		2			
612	88	V5001940035	분할핀	4.0X35	2			
612	89	15155253500	아이볼트		2			
NOTE								

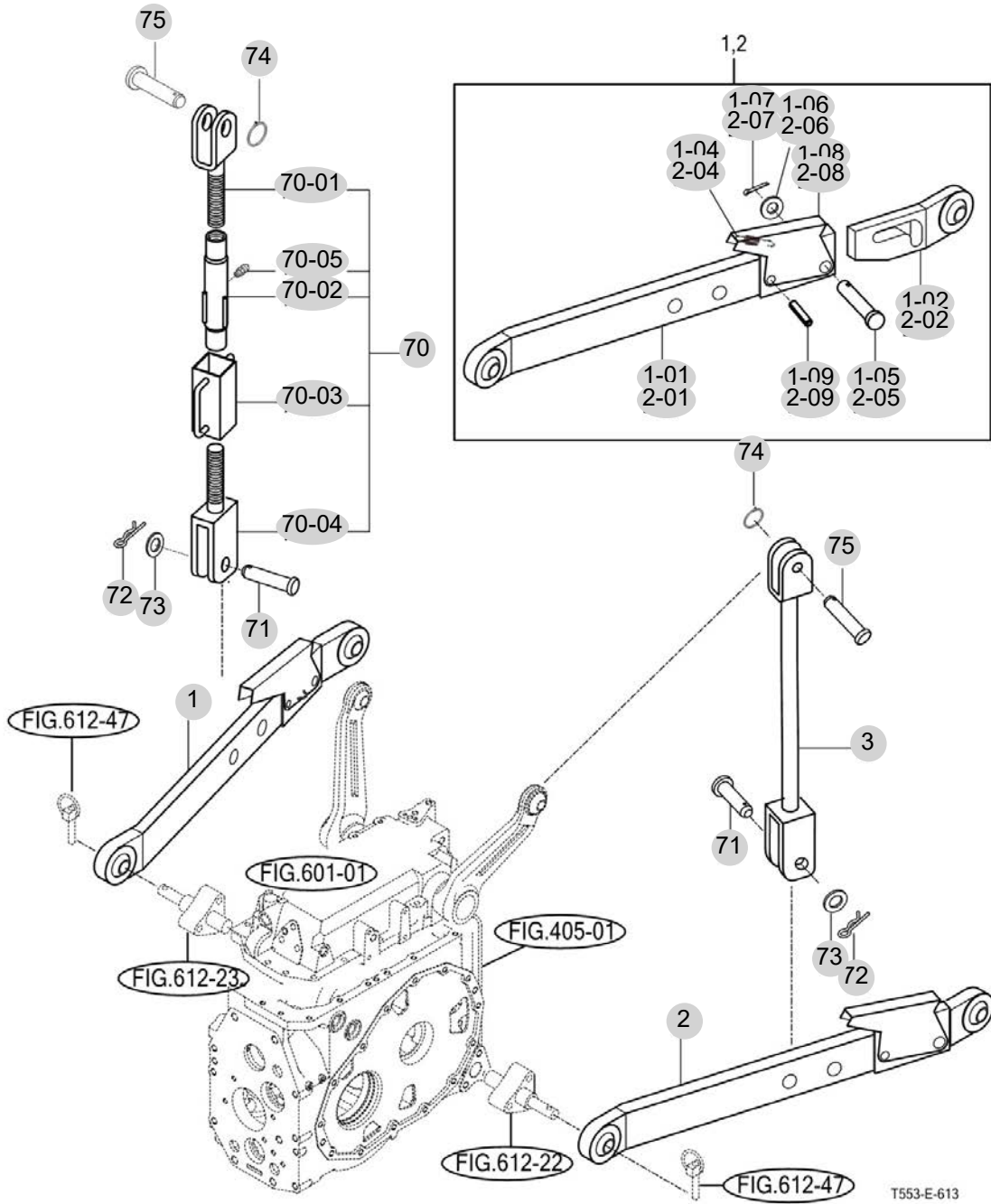
FIG 613

T495STEU1

LOWER LINK & LIFT ROD

년/월
Year/Month

2022-12



NOTE

7. 시트메탈/캐빈 PART NO. T7

FIG 701 BONNET FRAME	215
FIG 702A BONNET (1)	217
FIG 702B BONNET (2)	219
FIG 703 EXTENSION COVER	221
FIG 704A LEVER COVER & STEP	223
FIG 705 FRONT & REAR MOUNTING	225
FIG 706 SEAT & MAT	227
FIG 709 DOOR	229
FIG 710A FRONT GLASS	232
FIG 711 SIDE GLASS	234
FIG 712 REAR GLASS	236
FIG 713A SUB FENDER & COVER	238
FIG 714A MIRROR	240
FIG 715A HEATER & AIR-CON	242
FIG 715B HEATER & AIR-CON	244
FIG 716 FENDER COVER	246
FIG 717 ROOF	248
FIG 718 CABIN INTERIOR	250

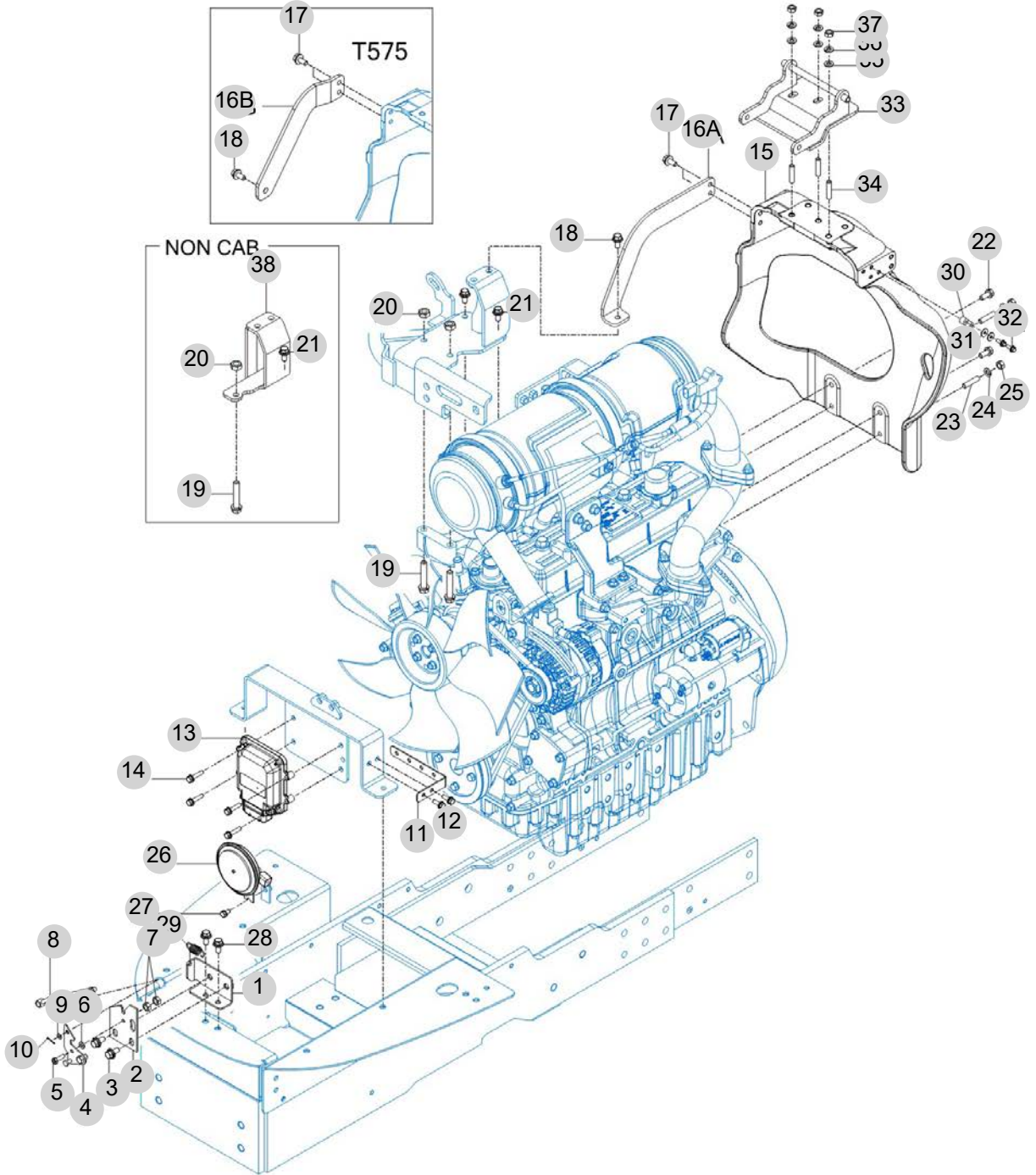
FIG 701

BONNET FRAME

년/월
Year/Month

2022-12

T495STEU1



NOTE

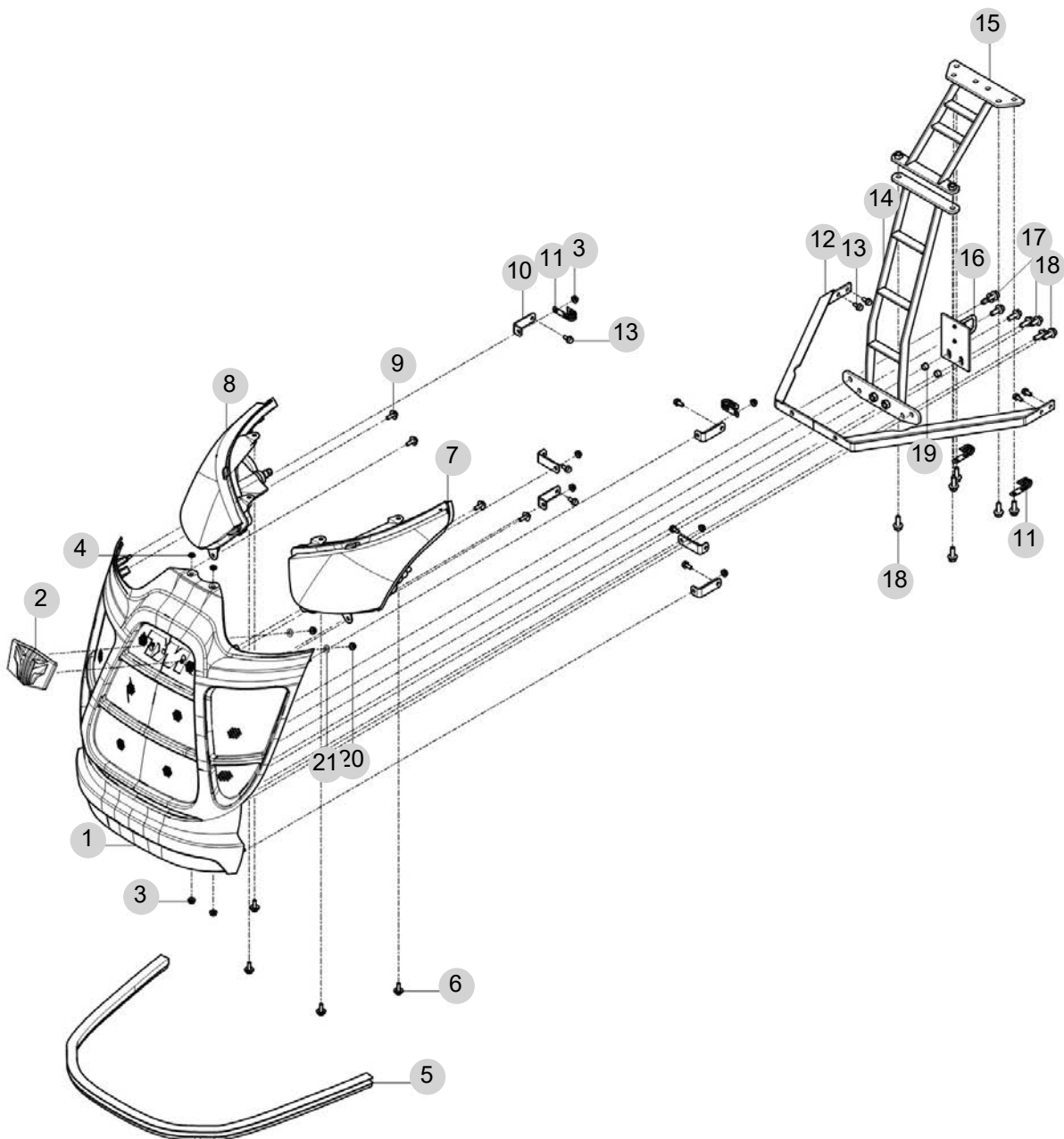
FIG 702A

BONNET (1)

년/월
Year/Month

2022-12

T495STEU1



NOTE

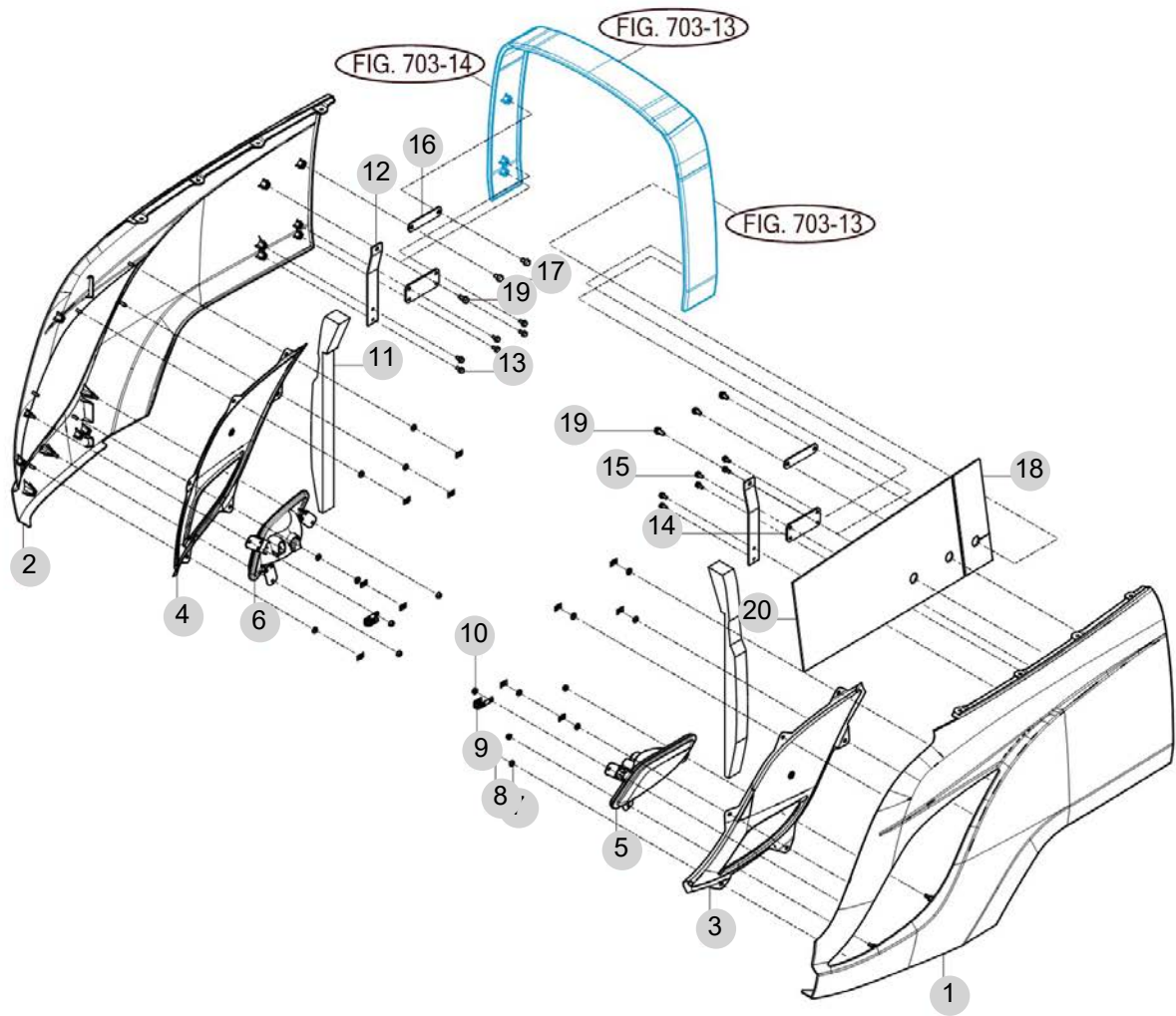
FIG 702B

BONNET (2)

년/월
Year/Month

2022-12

T495STEU1



NOTE

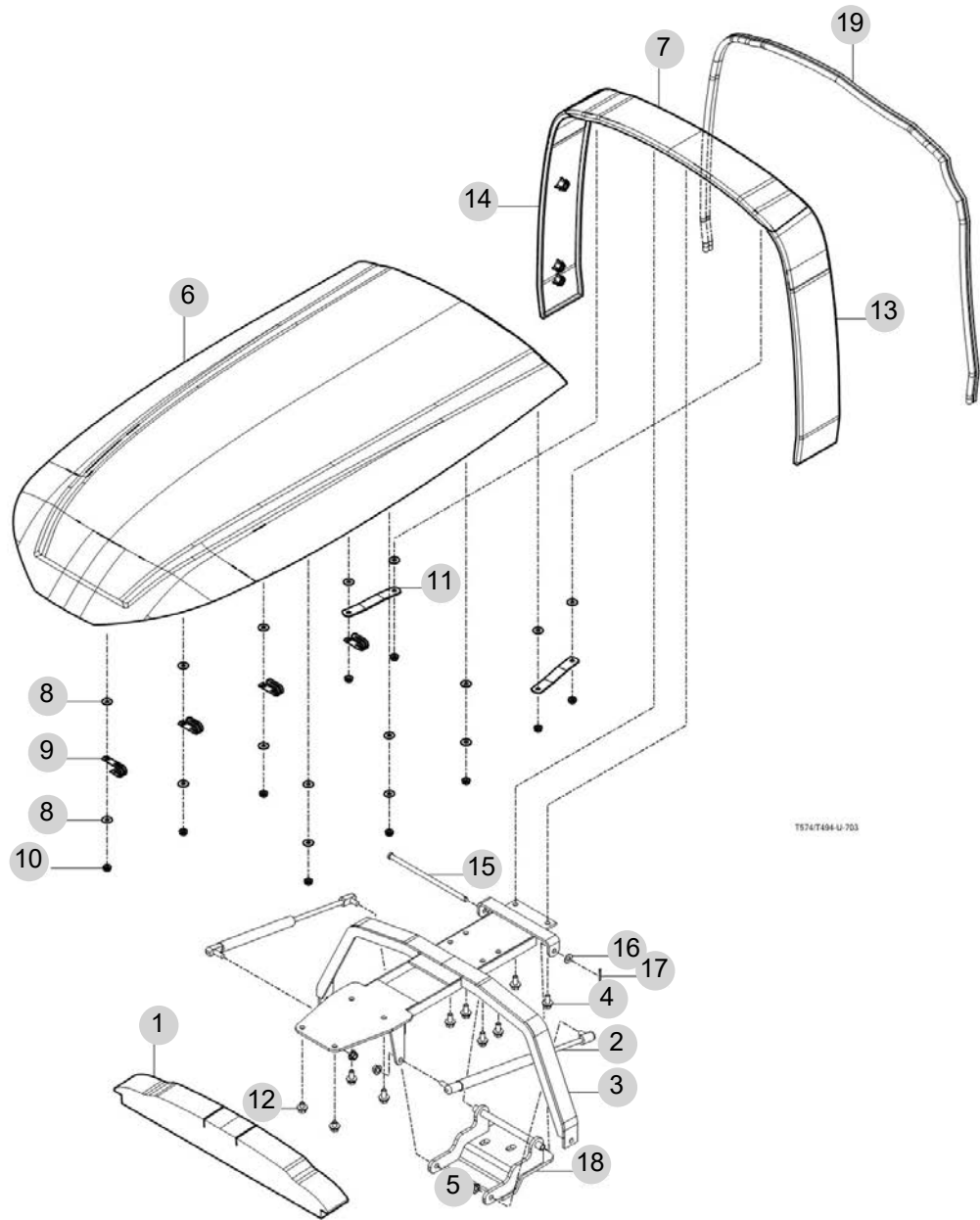
FIG 703

EXTENSION COVER

년/월
Year/Month

2022-12

T495STEU1



NOTE

FIG 703		EXTENSION COVER					년/월 Year/Month	
T495STEU1		2022-12						
KEY NO	PART NO	DESCRIPTION	SPEC	QTY	REPAIR	EFFECTIVE DATE	REMARKS	
703	1	14186015500	인슐레이터, 후드					
703	2	14137022201	가스스프링, 후드					
703	3	13876054700GB	프레임 COMP, 후드 힌지					
703	4	V2183608020	소형육각볼트보통(SP)	M8X20				
703	5	V3802600080	플랜지붙이육각너트					
703	6	14136206100SR	후드 COMP					
703	7A	14186208100SR	연장후드 COMP, 상					
703	8	35605033020	와이어인출용와셔					
703	9	37371720090	메인하니스 클램프(하)					
703	10	V3802600060	플랜지붙이육각너트					
703	11	14186208400GB	브래킷, 상/연장후드					
703	12	V2183608012	소형육각볼트보통(SP)	M8X12				
703	13A	14186208200SR	연장후드 COMP, 좌					
703	14A	14186208300SR	연장후드 COMP, 우					
703	15	13016202060	후드 핀					
703	16	V4111600080	평와셔	M8				
703	17	V5001925020	핀					
703	18	13876202800GB	플레이트 COMP, 본네트 힌지					
703	19	14186200010	인슐레이터, 후/후드					
NOTE								

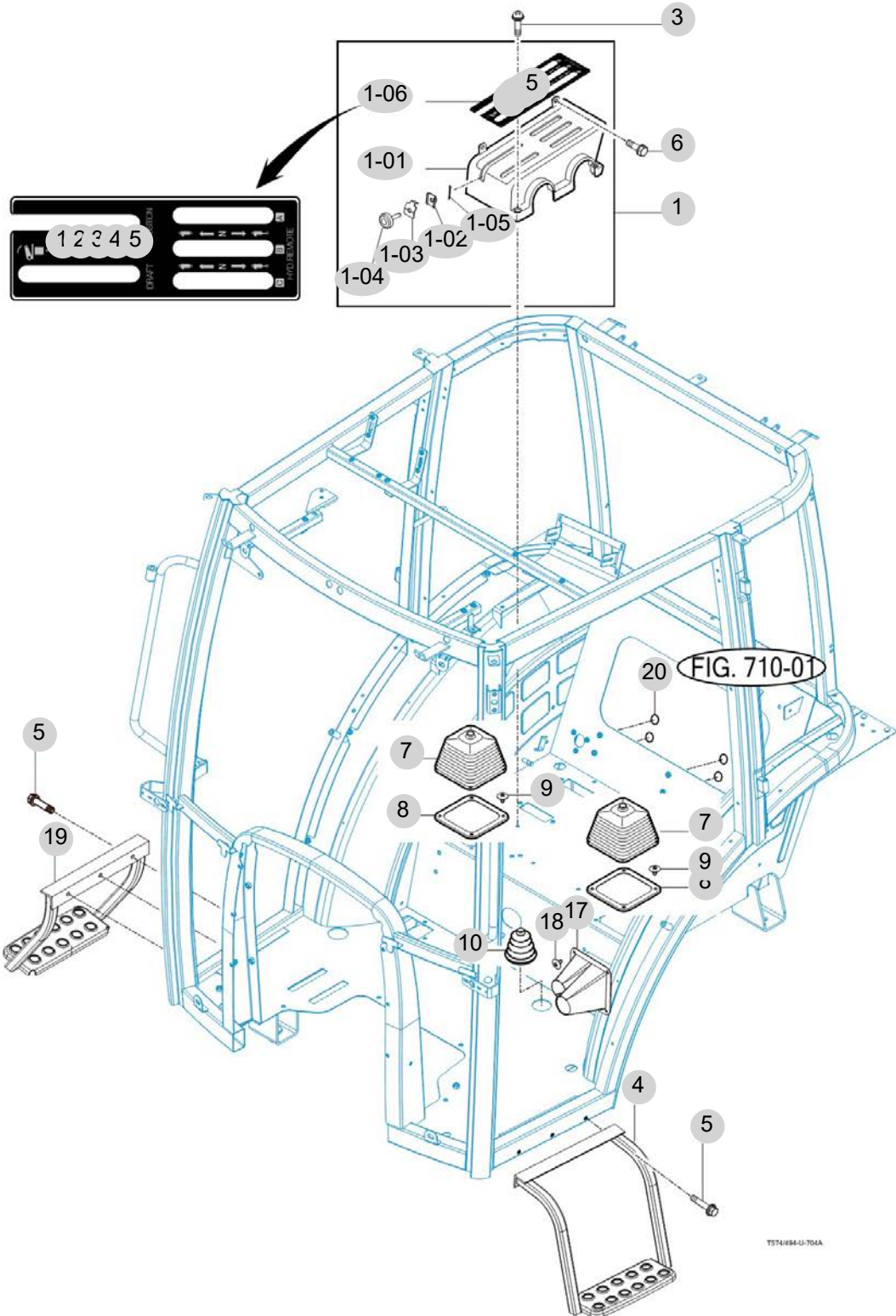
FIG 704A

LEVER COVER & STEP

년/월
Year/Month

2022-12

T495STEU1



NOTE

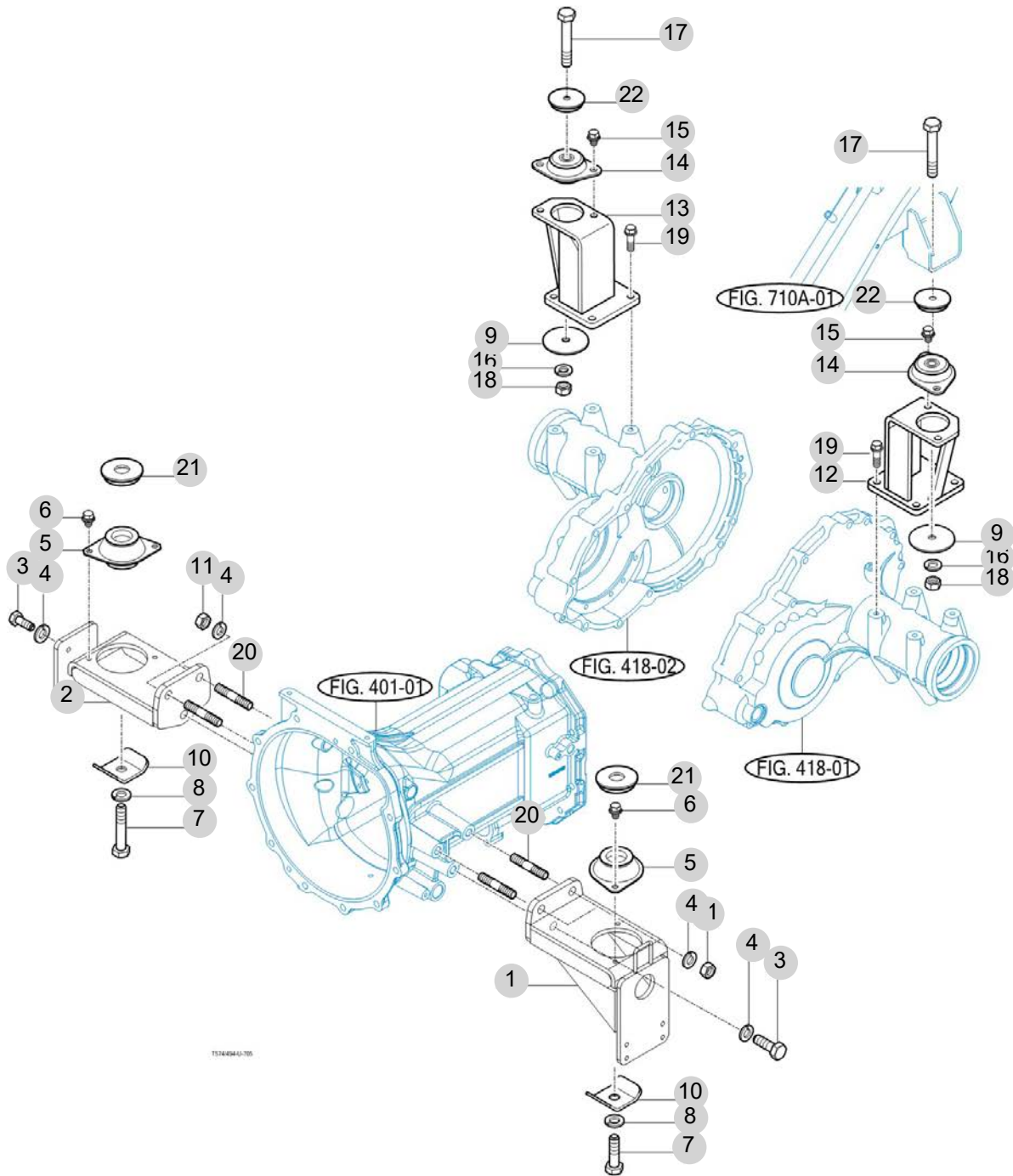
FIG 705

T495STEU1

FRONT & REAR MOUNTING

년/월
Year/Month

2022-12



NOTE

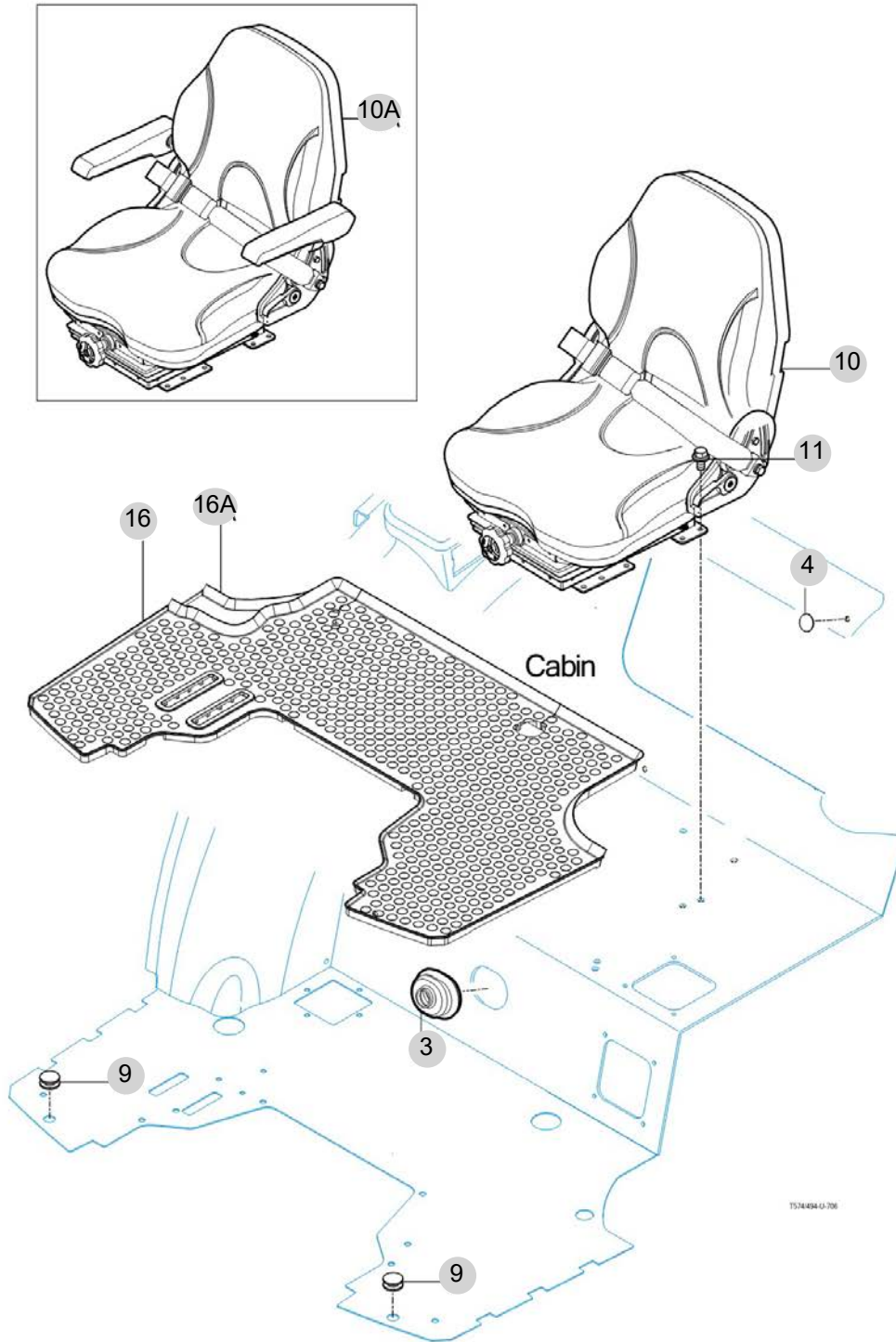
FIG 706

SEAT & MAT

년/월
Year/Month

2022-12

T495STEU1



NOTE

FIG 706 T495STEU1	SEAT & MAT						년/월 Year/Month
							2022-12

KEY NO	PART NO	DESCRIPTION	SPEC	QTY	REPAIR	EFFECTIVE DATE	REMARKS
706	3	16736300010		1			
706	4	16606070031		2			
706	9	14326510210		2			
706	10A	12146122000		1			
706	11	V2183608020	M8X20	4			
706	16	13867071110		1			
NOTE							

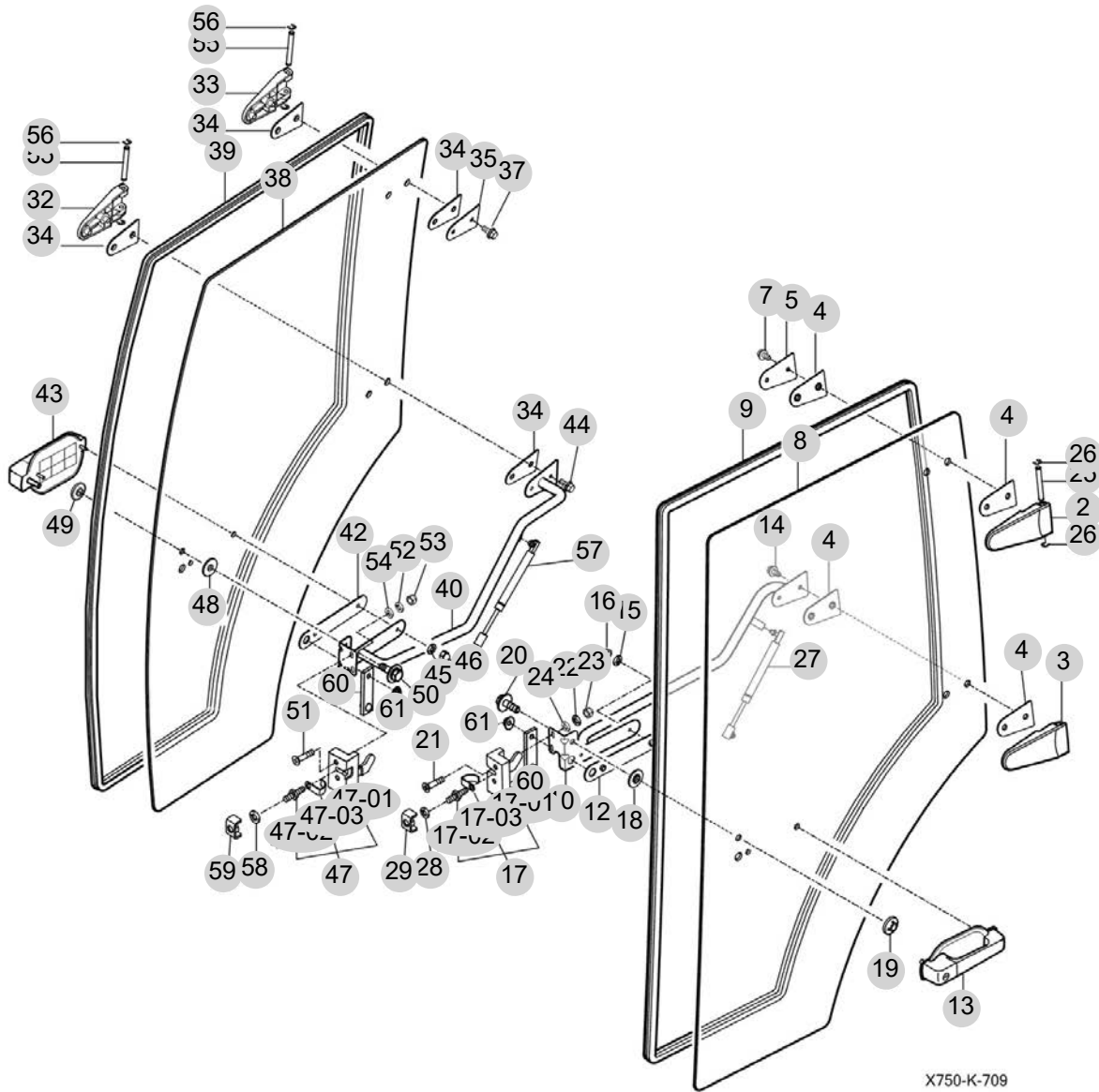
FIG 709

DOOR

년/월
Year/Month

2022-12

T495STEU1



NOTE

FIG 709		DOOR					년/월	
							Year/Month	
T495STEU1		2022-12						
KEY NO	PART NO	DESCRIPTION	SPEC	QTY	REPAIR	EFFECTIVE DATE	REMARKS	
709	2	14527052300	도어힌지조합, 상/LH		1			
709	3	14527052400	도어힌지조합, 상/RH		1			
709	4	14527052110	개스킷, 도어힌지		4			
709	5	14527052120GB	플레이터,도어힌지		1			
709	7	V2183608020	소형육각볼트보통(SP)	M8X20	2			
709	8	14527052131	그라스, 도어/LH	6t	1			
709	9	14527052140	인슐레이터 / 도어		1			
709	10	14527052500GB	가이드 조합/LH/도어		1			
709	12	14527052150	개스킷, 도어손잡이		1			
709	13	17827052600	손잡이 ASSY, 잠금장치		1			
709	14	V2183608020	소형육각볼트보통(SP)	M8X20	2			
709	15	V4011600060	스프링와셔	M6	2			
709	16	V3402700060	육각캡너트	M6	2			
709	17	17827052700	라쳇 ASSY, 좌/도어		1			
709	17-01	17827052710	록 ASSY, 좌/도어		1			
709	17-02	14527052720	스트라이크		1			
709	17-03	14527052730	가이드		1			
709	18	15817401130	크로메트(13X17X02)		1			
709	19	14527042500	그라스너트조합		1			
709	20	V2193606012	육각볼트(SPL)	M6X12	1			
709	21	V1122608040	심자흡점시작은나사	M8X40	2			
709	22	V4011600080	스프링와셔	M8	2			
709	23	V3412700080	소형육각캡너트	M8	2			
709	24	V4111600080	평와셔		2			
709	25	14527041110	핀, 도어힌지	D=8	2			
709	26	V7082400070	E형멈춤링(sus)	7	4			
709	27	14527301080	댐퍼(도어)ASSY_20kg	20KG	1			
709	28	V4011600100	스프링와셔	M10	1			
709	29	14527062500GB	브래킷 조합,도어록		1			
709	32	14527052300	도어힌지조합, 상/LH		1			
709	33	14527052400	도어힌지조합, 상/RH		1			
709	34	14527052110	개스킷, 도어힌지		4			
709	35	14527052120GB	플레이터,도어힌지		1			
709	37	V2183608020	소형육각볼트보통(SP)	M8X20	2			
709	38	14527053131	그라스, 도어/RH	6t	1			
709	39	14527052140	인슐레이터 / 도어		1			
709	40	17827053500GB	가이드 COMP, 우/도어		1			
709	42	14527052150	개스킷, 도어손잡이		1			
709	43	17827052600	손잡이 ASSY, 잠금장치		1			
709	44	V2183608020	소형육각볼트보통(SP)	M8X20	2			
709	45	V4011600060	스프링와셔	M6	2			
709	46	V3402700060	육각캡너트	M6	2			
709	47	17827053700	라쳇 ASSY, 우/도어		1			
709	47-01	17827053710	록 ASSY, 우/도어		1			
709	47-02	14527052720	스트라이크		1			
NOTE								

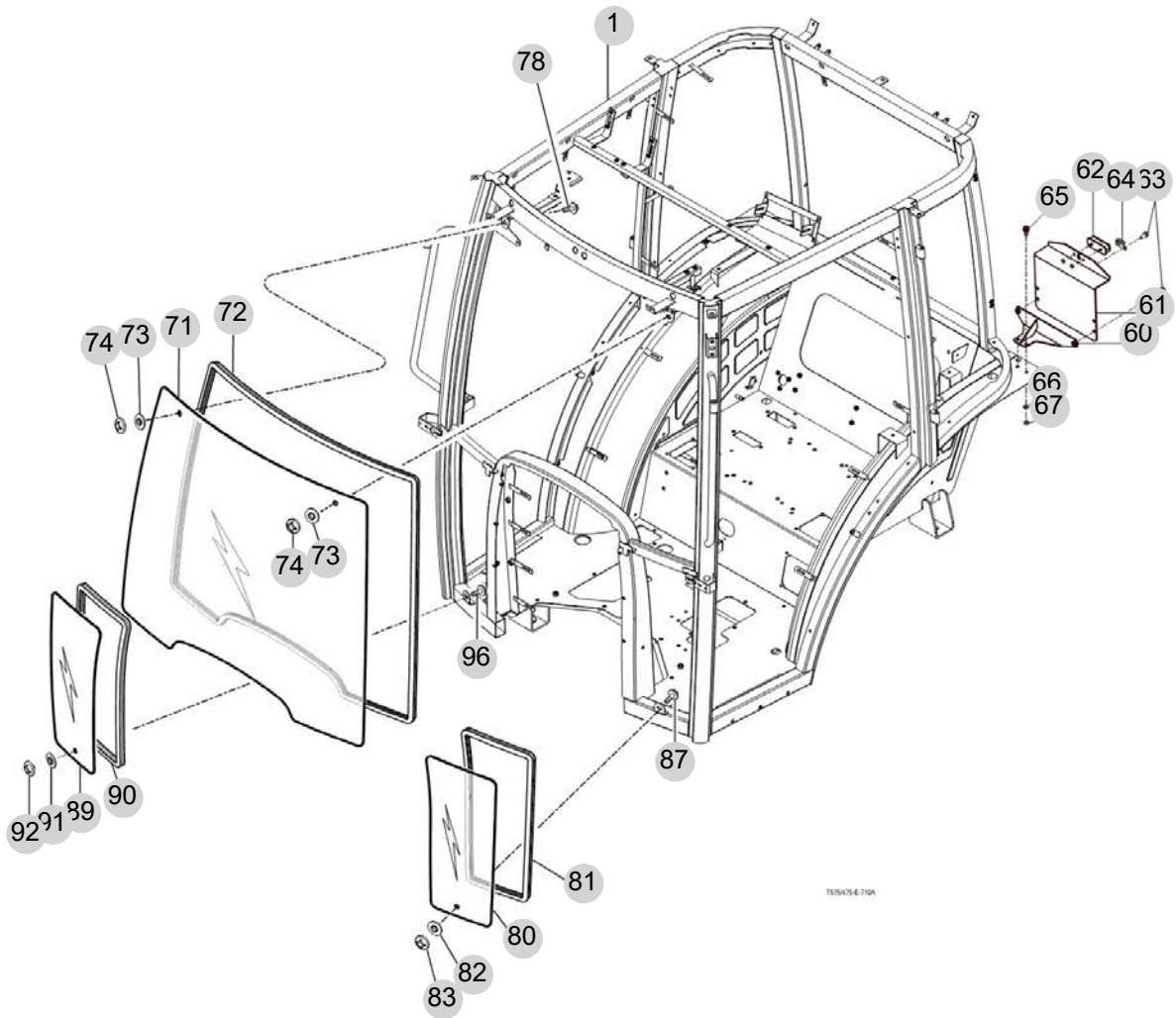
FIG 710A

FRONT GLASS

년/월
Year/Month

2022-12

T495STEU1



NOTE

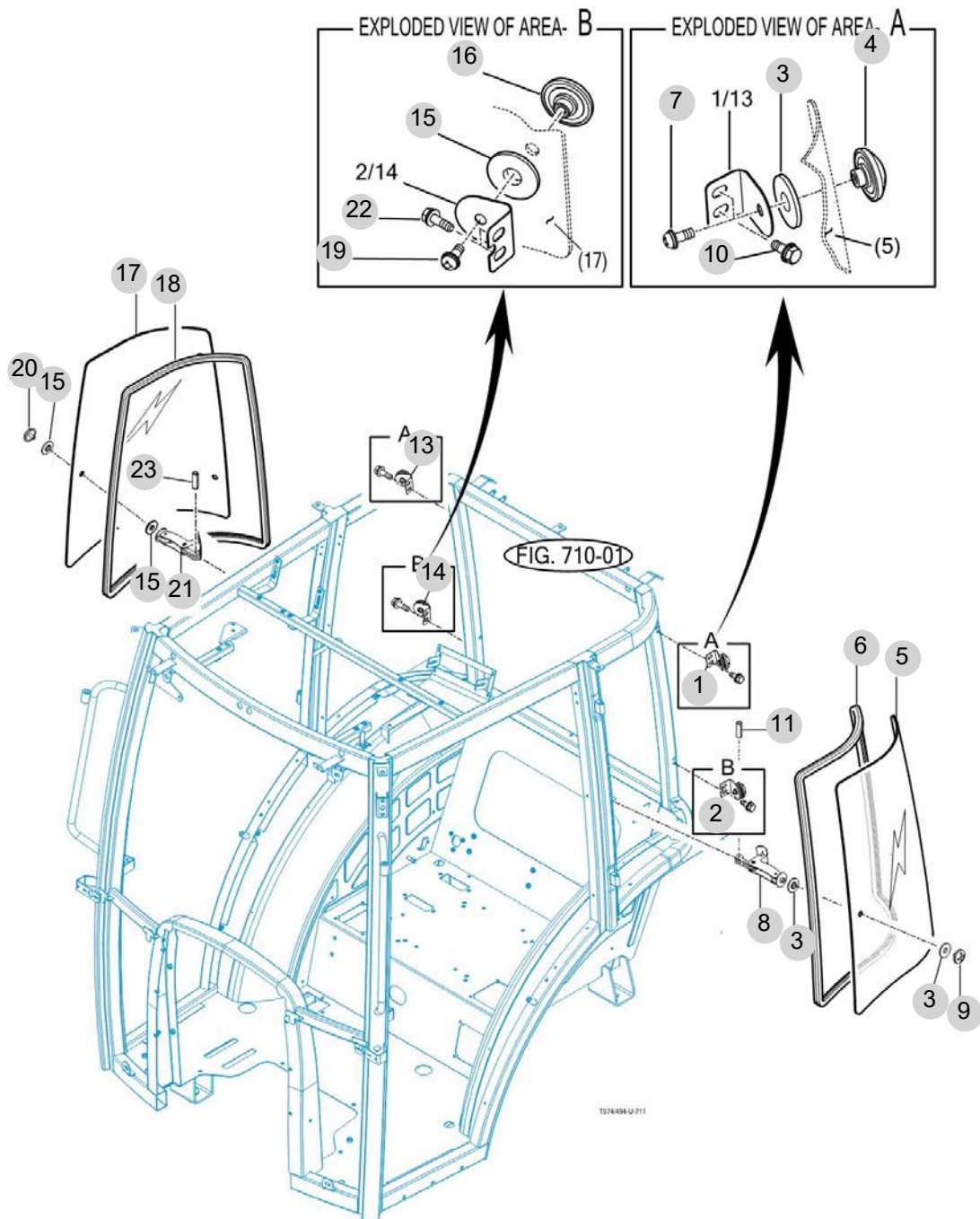
FIG 711

SIDE GLASS

년/월
Year/Month

2022-12

T495STEU1



NOTE

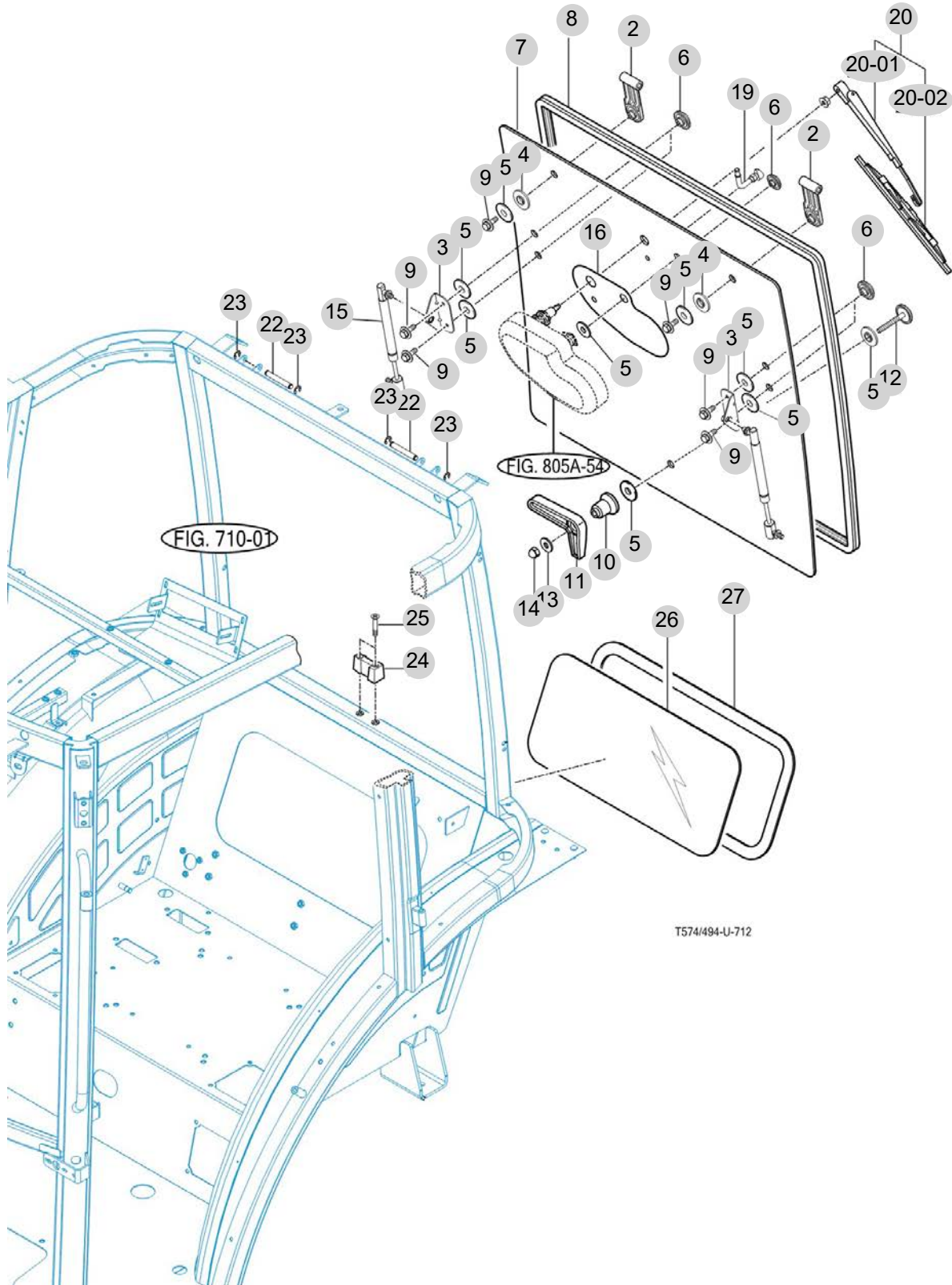
FIG 712

REAR GLASS

년/월
Year/Month

2022-12

T495STEU1



T574/494-U-712

NOTE

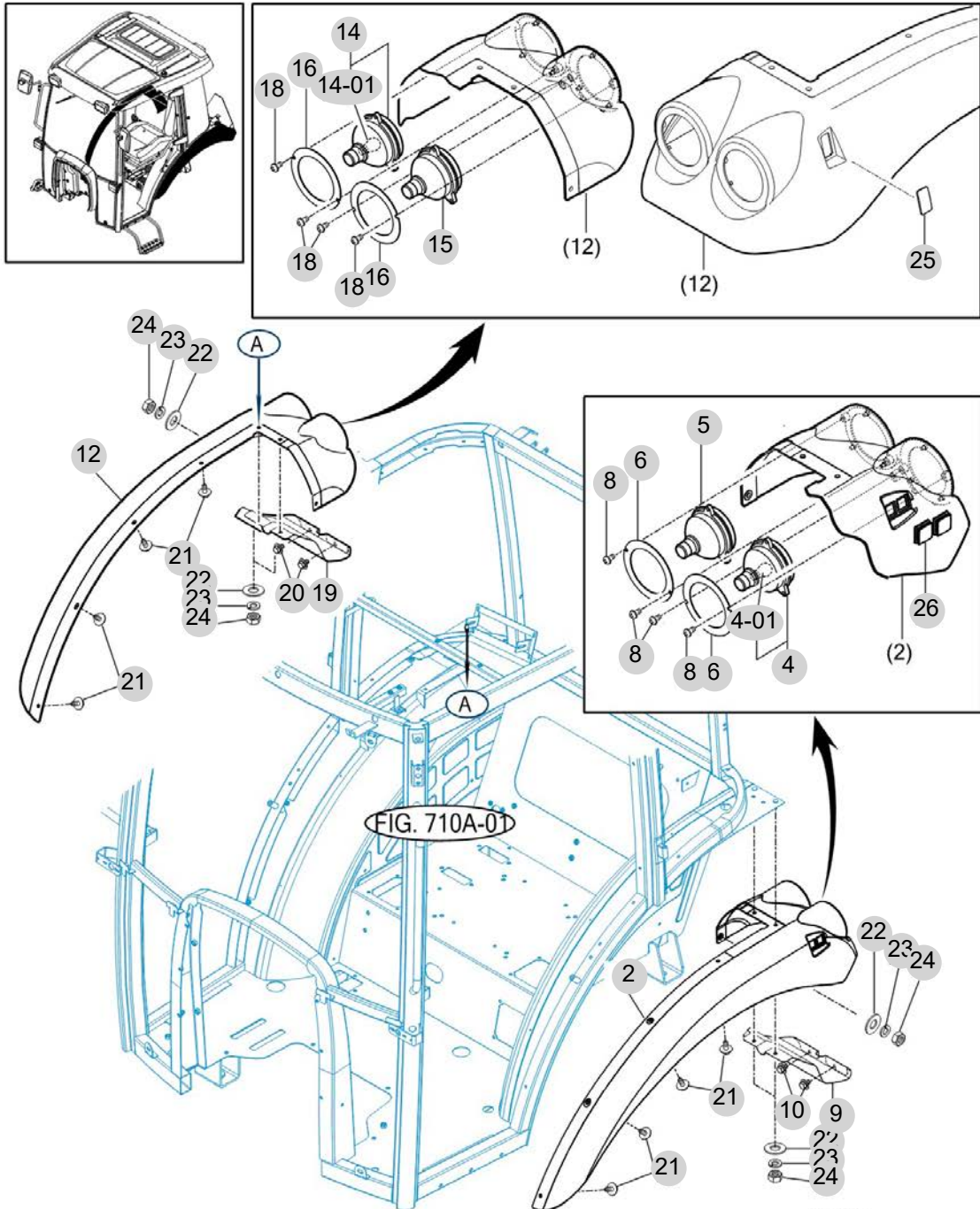
FIG 713A

SUB FENDER & COVER

년/월
Year/Month

2022-12

T495STEU1



T574954-U-713A

NOTE

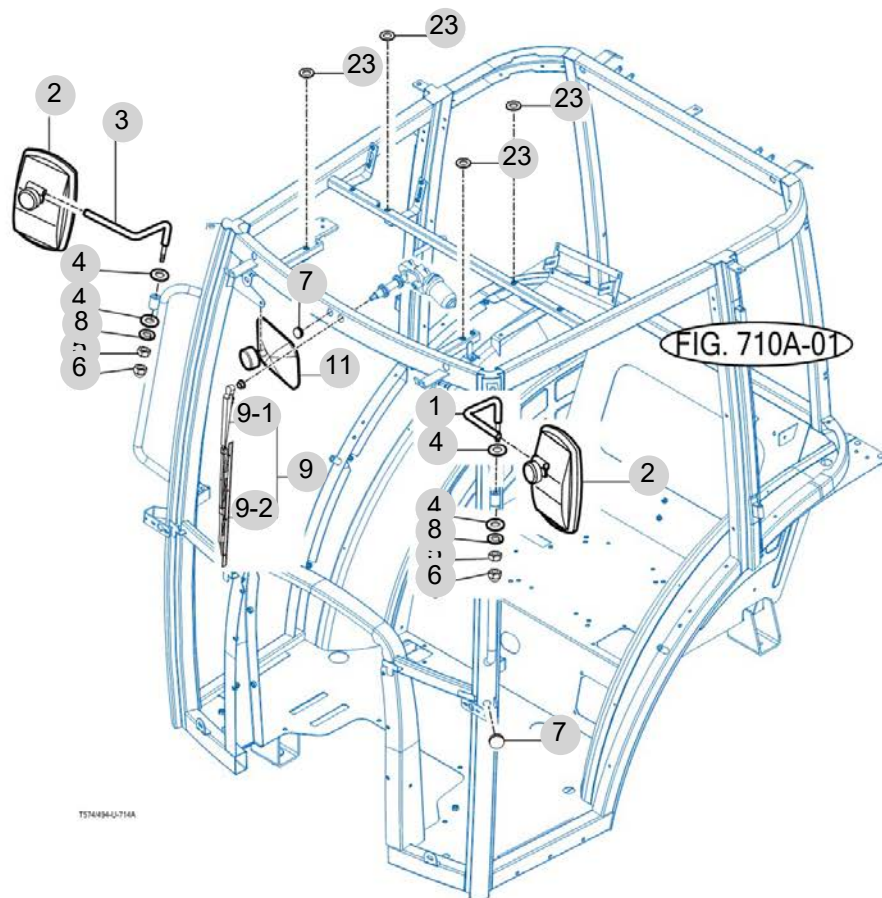
FIG 714A

T495STEU1

MIRROR

년/월
Year/Month

2022-12



NOTE

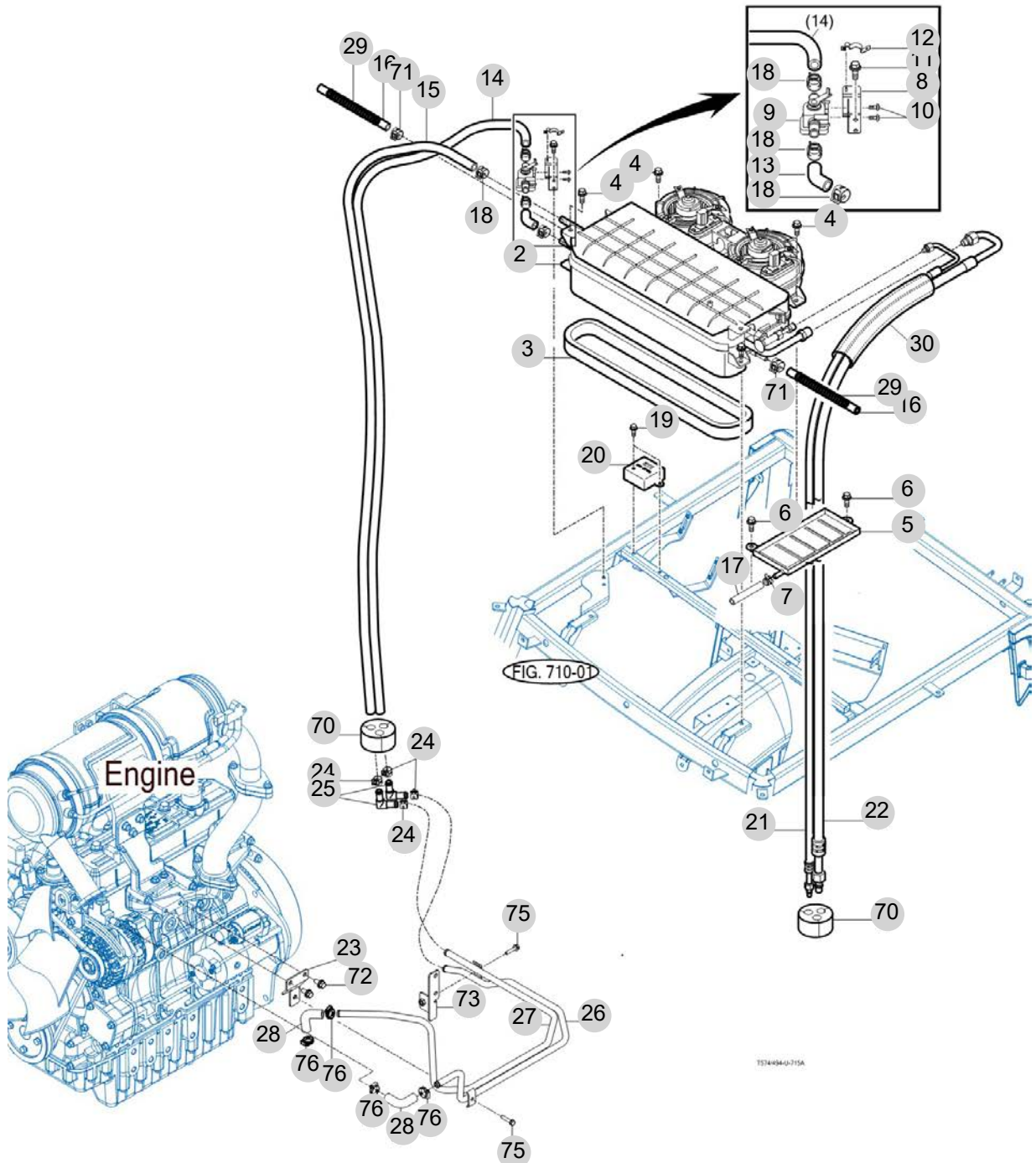
FIG 715A

HEATER & AIR-CON

년/월
Year/Month

2022-12

T495STEU1



NOTE

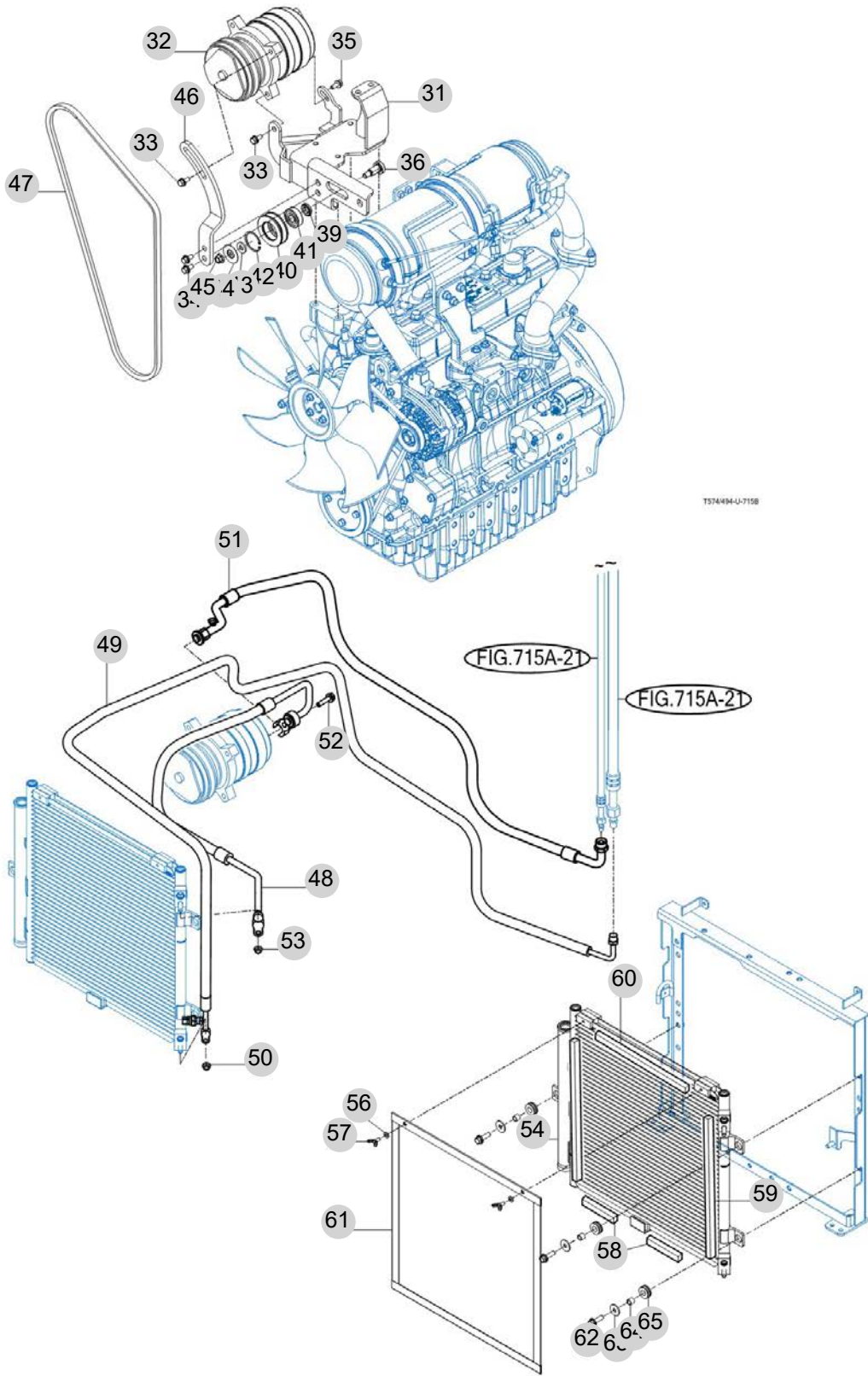
FIG 715B

HEATER & AIR-CON

년/월
Year/Month

2022-12

T495STEU1



T574494-U-715B

FIG.715A-21

FIG.715A-21

NOTE

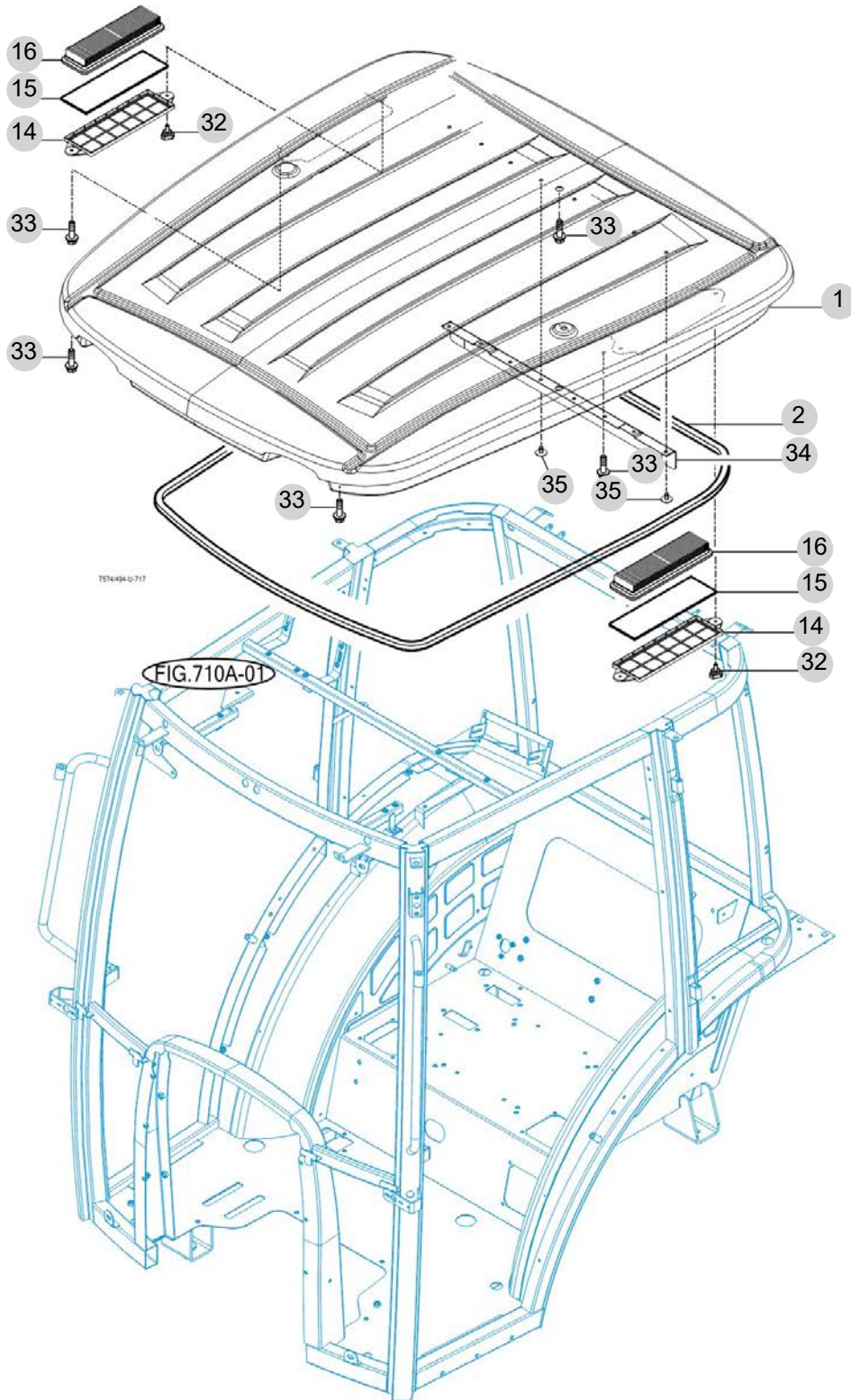
FIG 717

T495STEU1

ROOF

년/월
Year/Month

2022-12



NOTE

FIG 717		ROOF					년/월 Year/Month	
T495STEU1								2022-12
KEY NO	PART NO	DESCRIPTION	SPEC	QTY	REPAIR	EFFECTIVE DATE	REMARKS	
717	1	13877072200	루프 COMP					
717	2	14527072110	인슐레이터 , 루프					
717	14	14527072411	커버,에어필터					
717	15	14527072420	에어컨필터,메쉬					
717	16	14527072500	필터,에어/메인					
717	32	21575070110	손잡이볼트(M6)	M6X14				
717	33	V2183608025	소형육각볼트보통(SP)	M8X20				
717	34	14527072150	커버, 리어그라스					
717	35	17686040020	리벳 SET(흑색)					
NOTE								

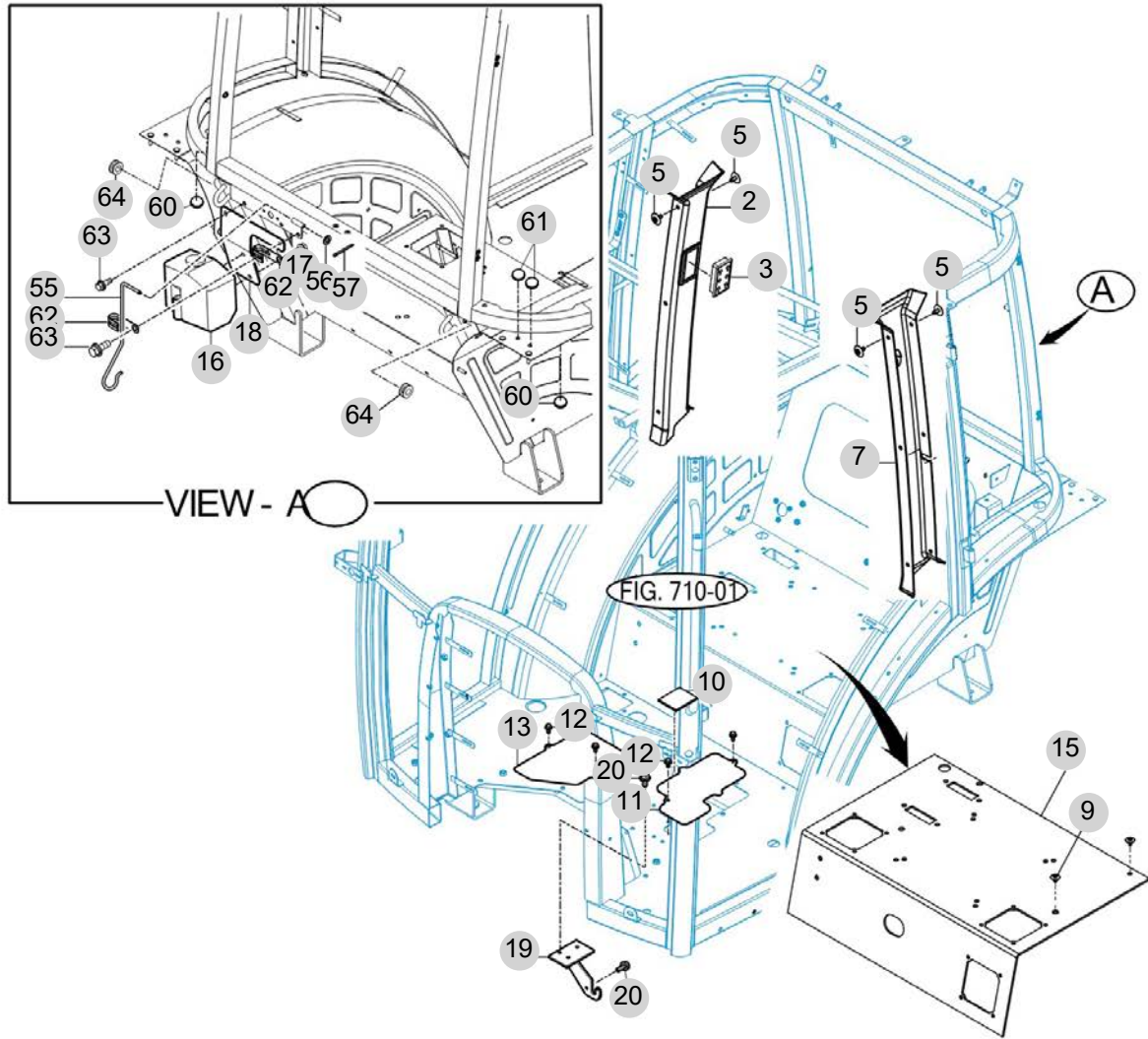
FIG 718

CABIN INTERIOR

년/월
Year/Month

2022-12

T495STEU1



T5149445-718

NOTE

8. 전장 PART NO. T8

FIG 801 BATTERY MOUNTING	253
FIG 802 HARNESS LAMP	255
FIG 803 INSTRUMENT PANEL	257
FIG 804 ELECTRIC SYSTEM (1)	259
FIG 805A ELECTRIC SYSTEM (2)	261
FIG 806 ELECTRIC SYSTEM (3)	263

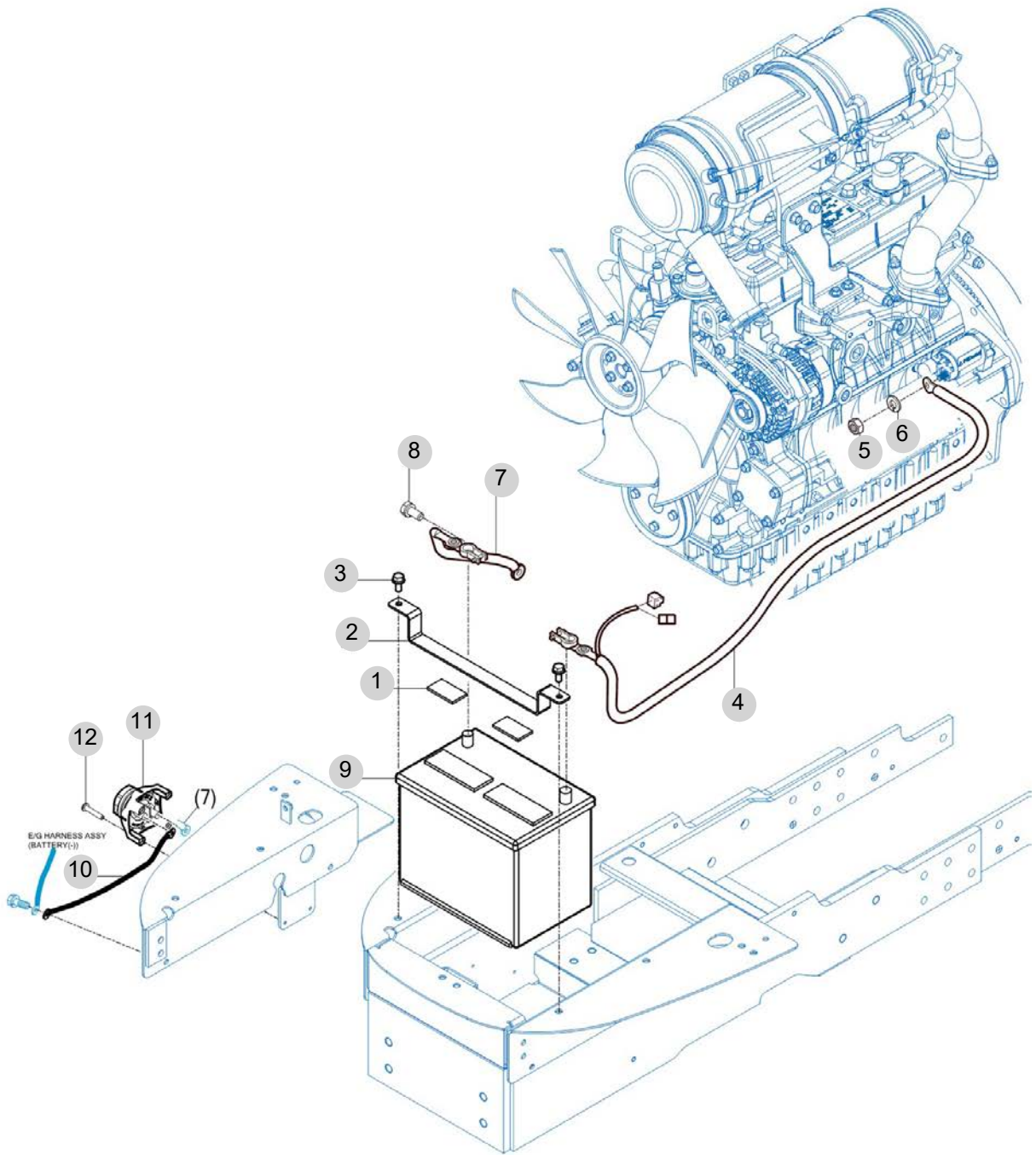
FIG 801

BATTERY MOUNTING

년/월
Year/Month

2022-12

T495STEU1



NOTE

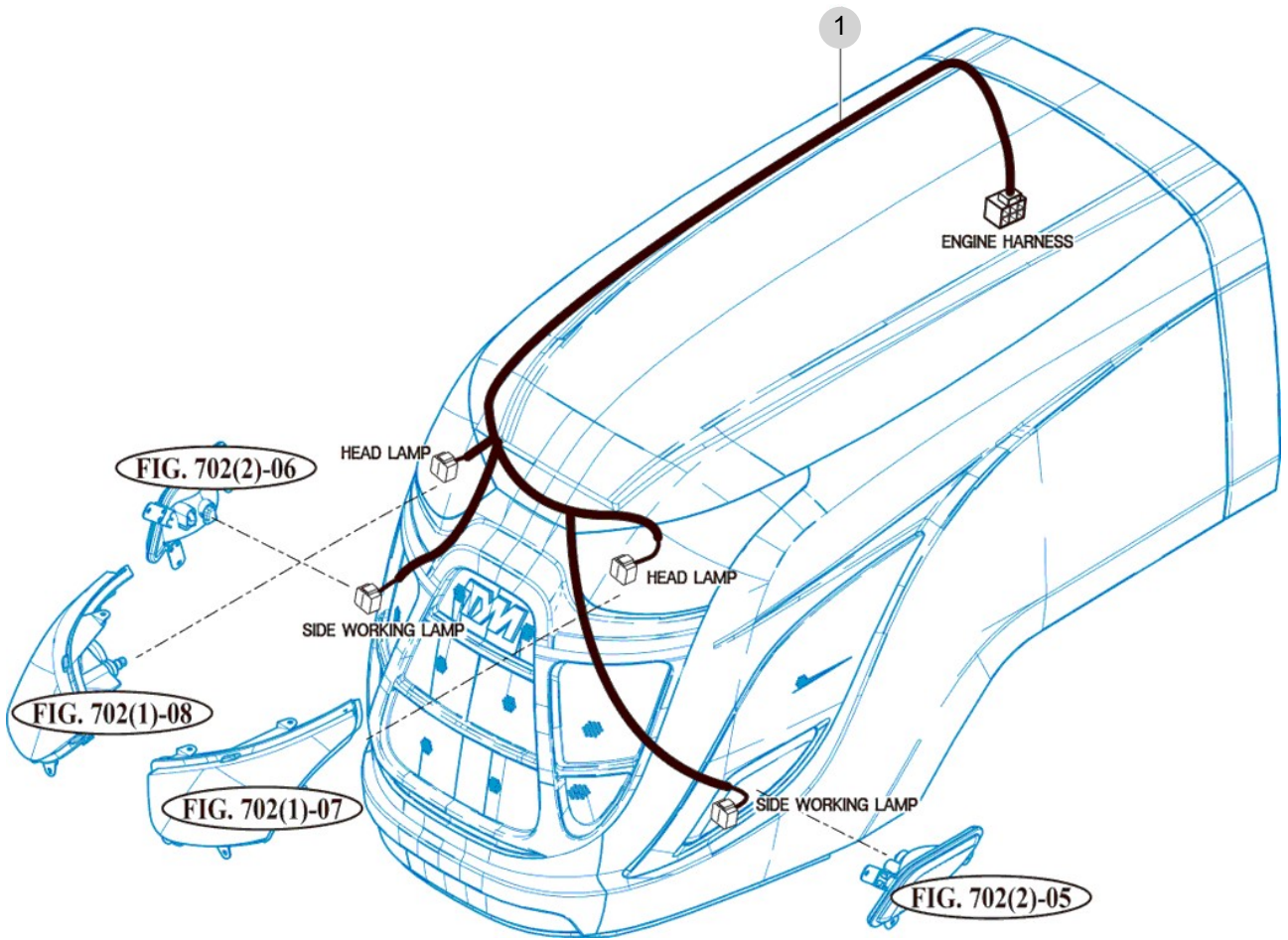
FIG 802

T495STEU1

HARNESS LAMP

년/월
Year/Month

2022-12



NOTE

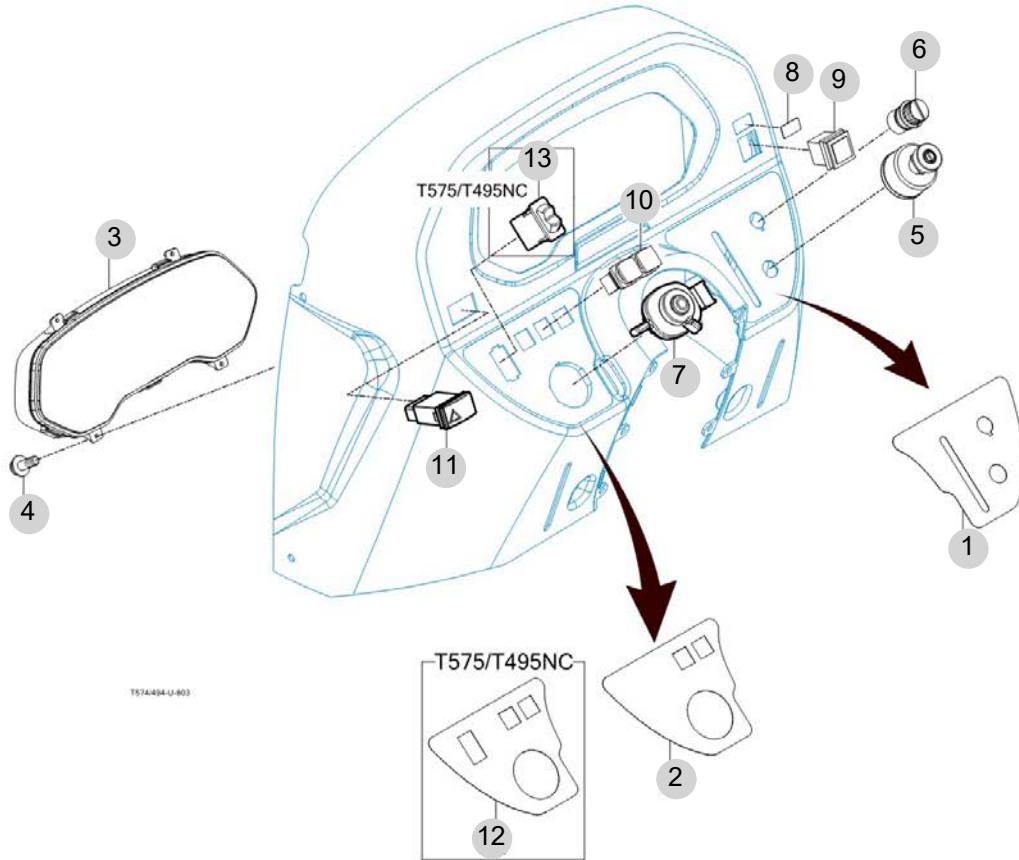
FIG 803

INSTRUMENT PANEL

년/월
Year/Month

2022-12

T495STEU1



NOTE

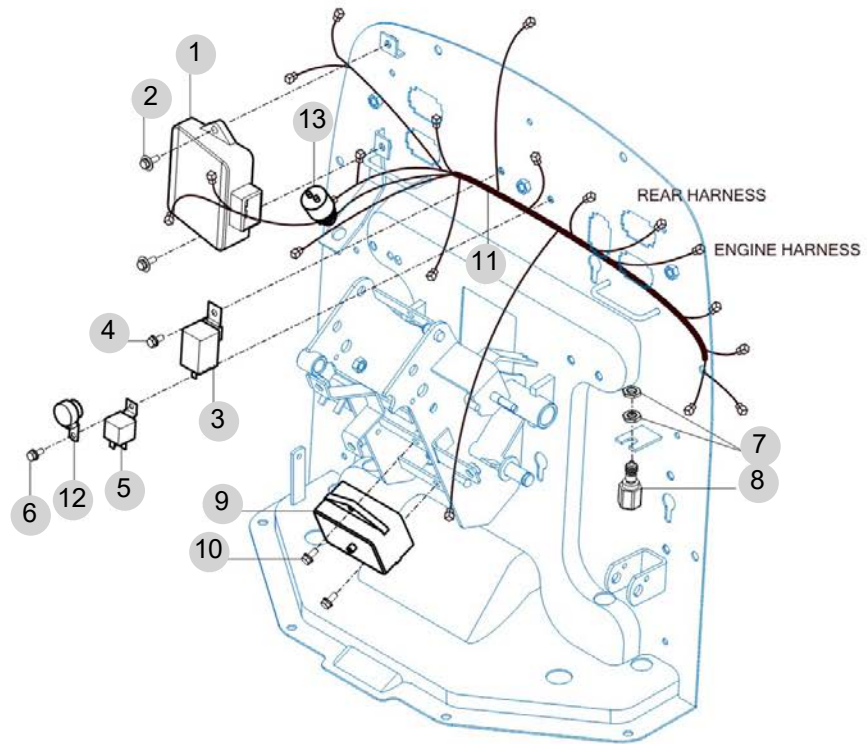
FIG 804

T495STEU1

ELECTRIC SYSTEM (1)

년/월
Year/Month

2022-12



NOTE

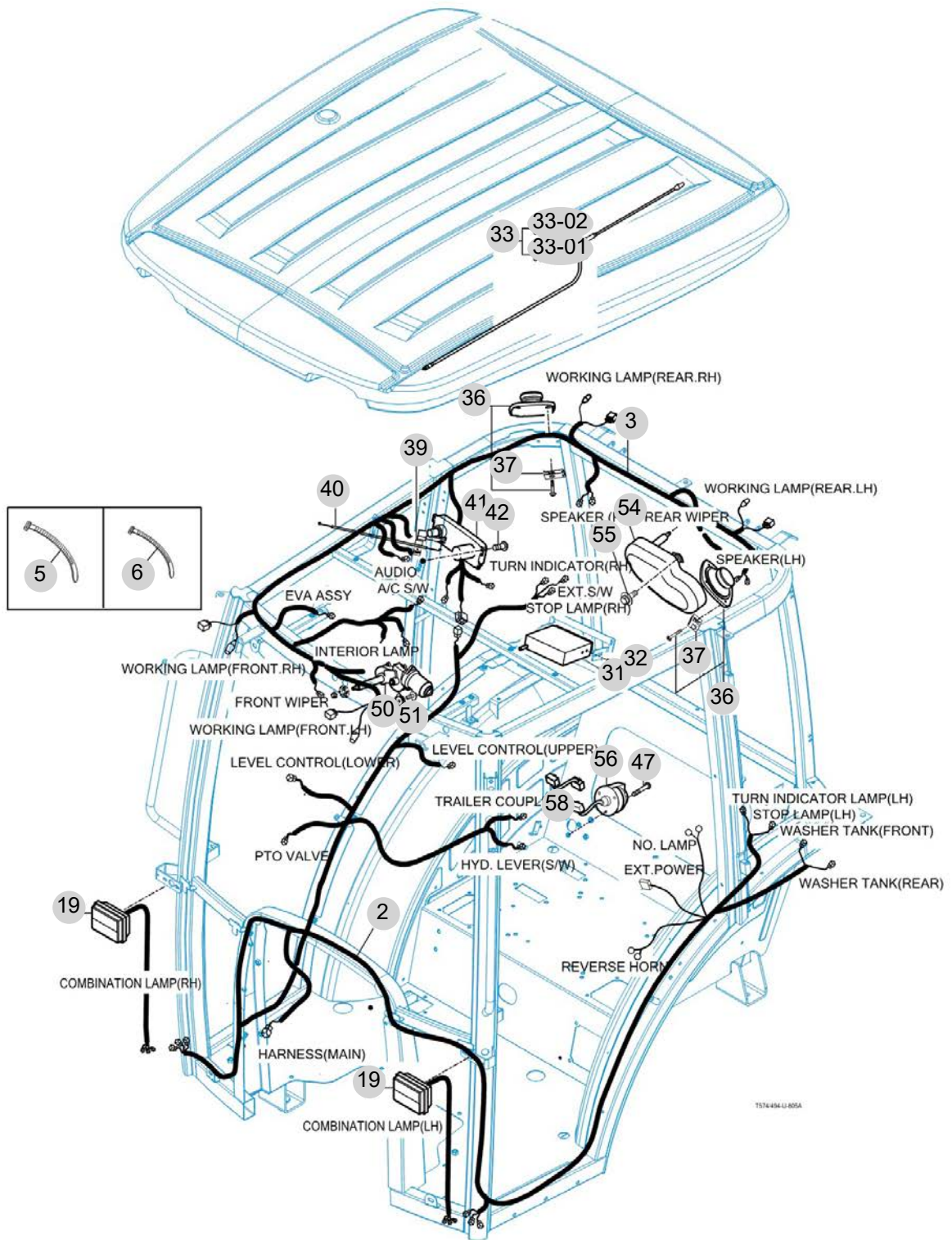
FIG 805A

ELECTRIC SYSTEM (2)

년/월
Year/Month

2022-12

T495STEU1



NOTE

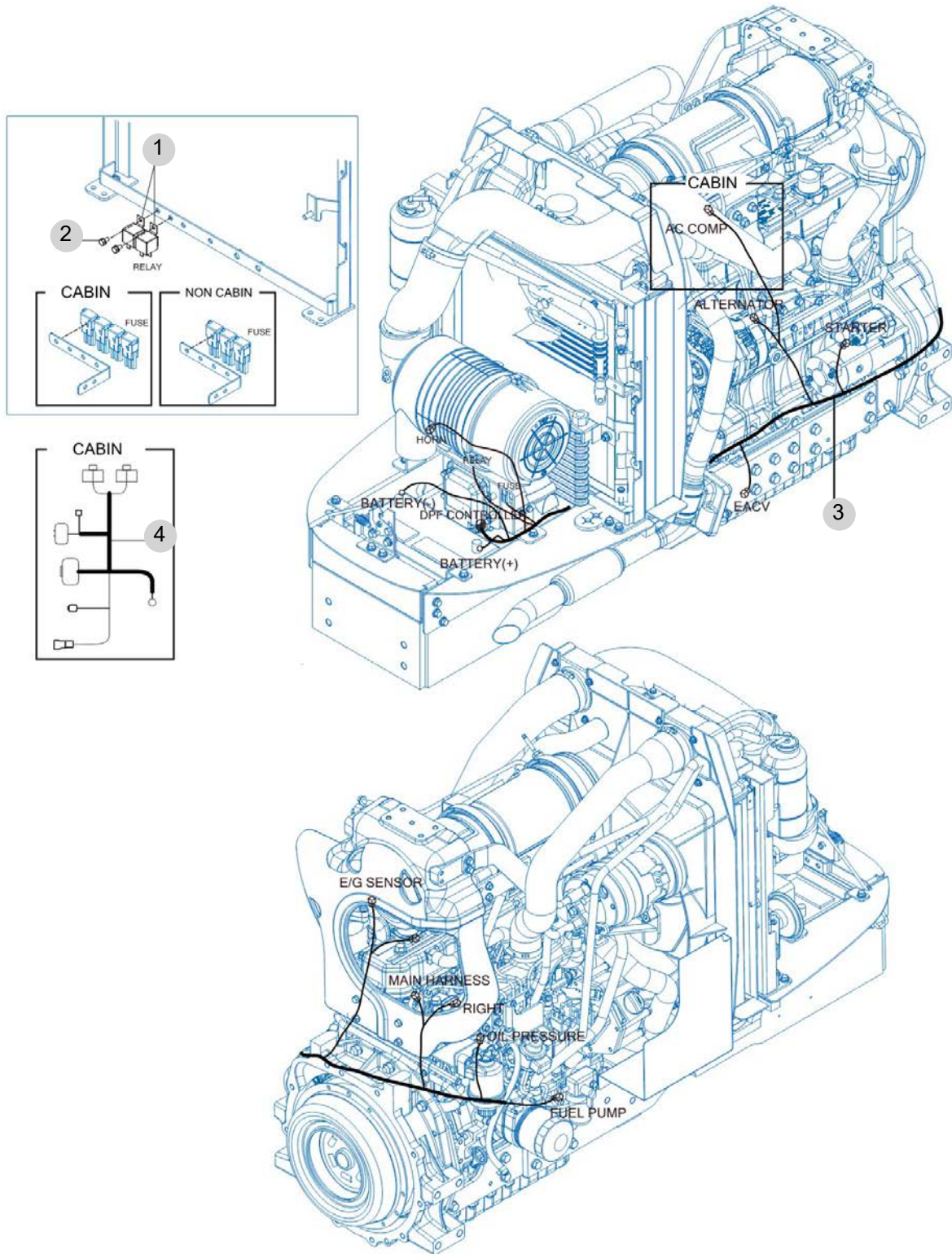
FIG 806

ELECTRIC SYSTEM (3)

년/월
Year/Month

T495STEU1

2022-12



NOTE

9. 라벨/옵션 PART NO. T9

FIG 901 TOOL & ACCESSORY	266
FIG 902 WEIGHT	268
FIG 903 LABEL	270
FIG 903-2 LABEL	272

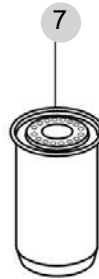
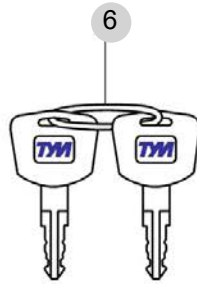
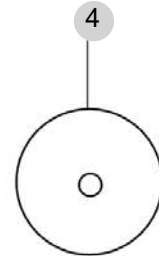
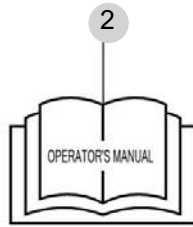
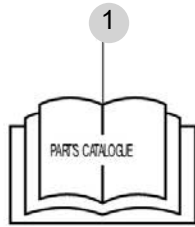
FIG 901

T495STEU1

TOOL & ACCESSORY

년/월
Year/Month

2022-12



NOTE

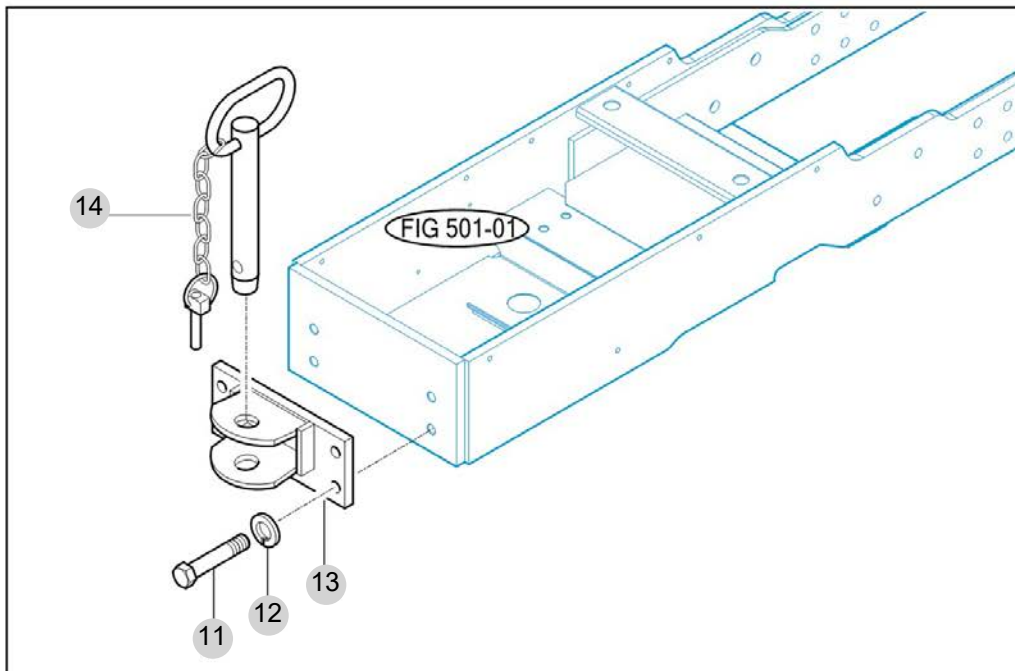
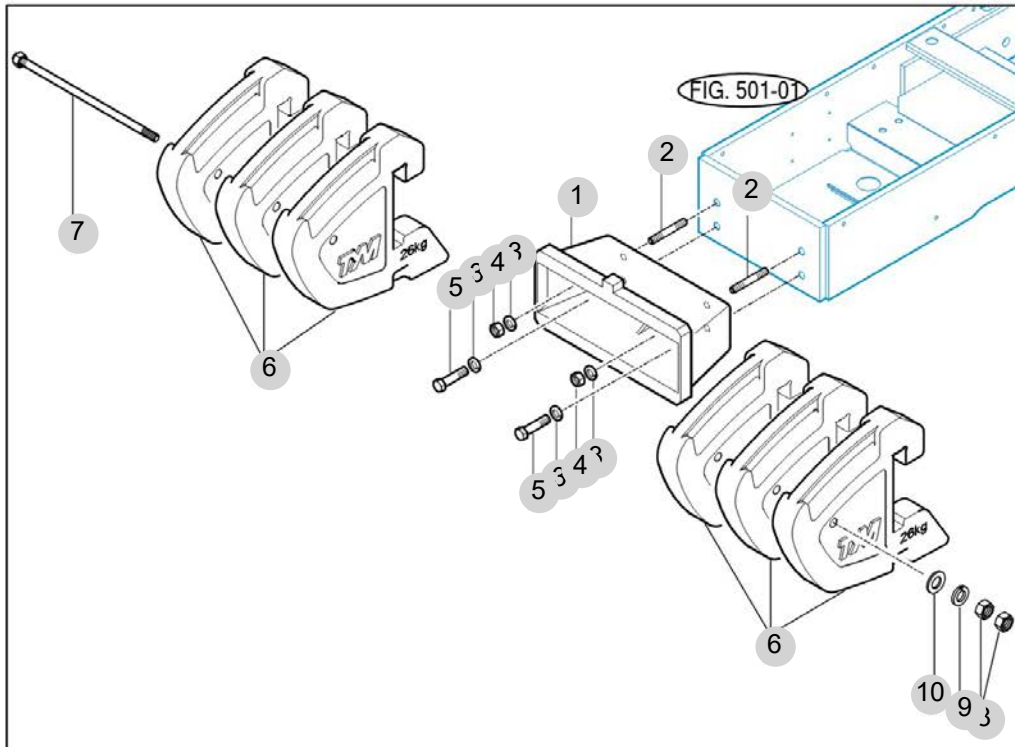
FIG 902

T495STEU1

WEIGHT

년/월
Year/Month

2022-12



T575-E-902

NOTE

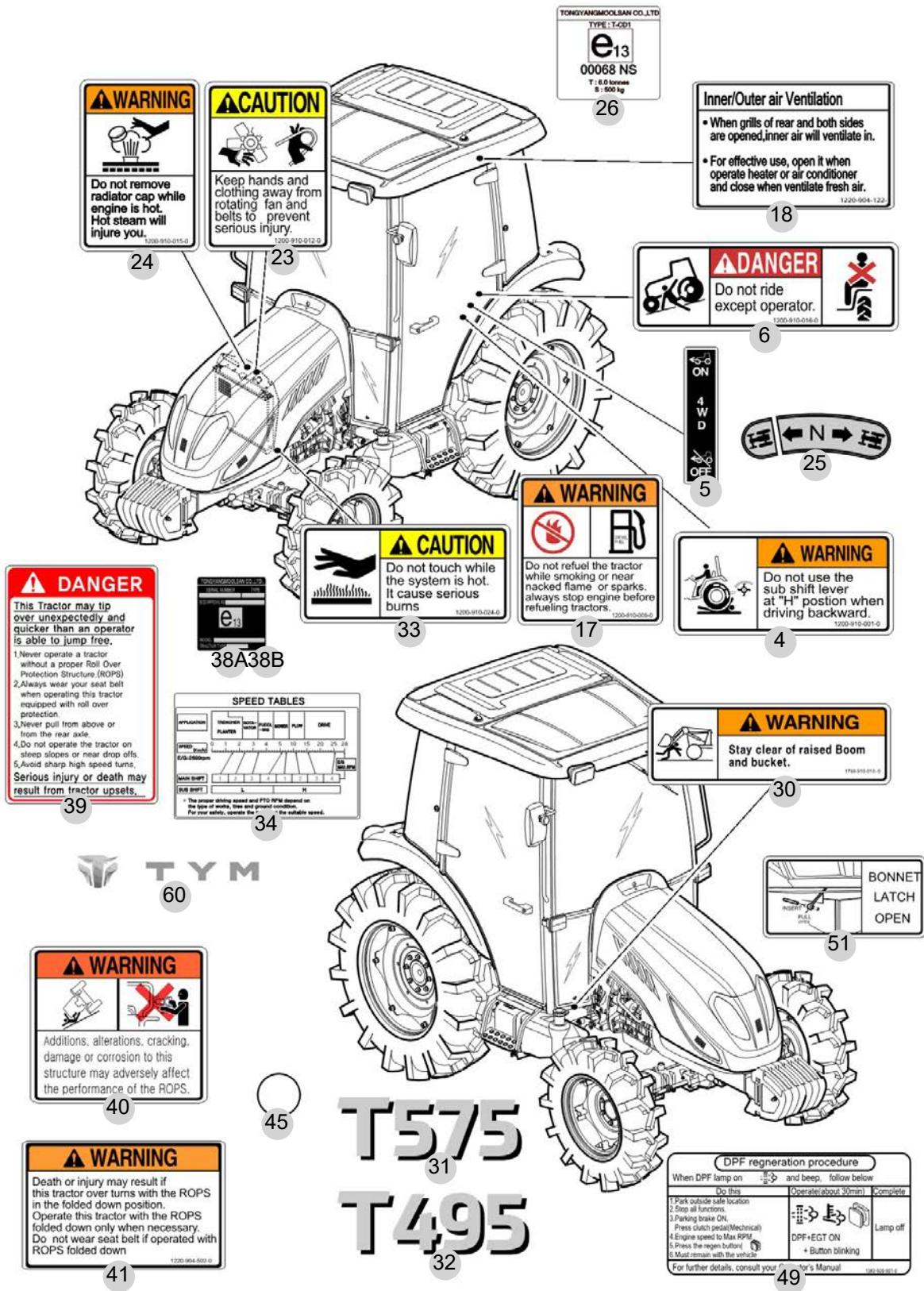
FIG 903

T495STEU1

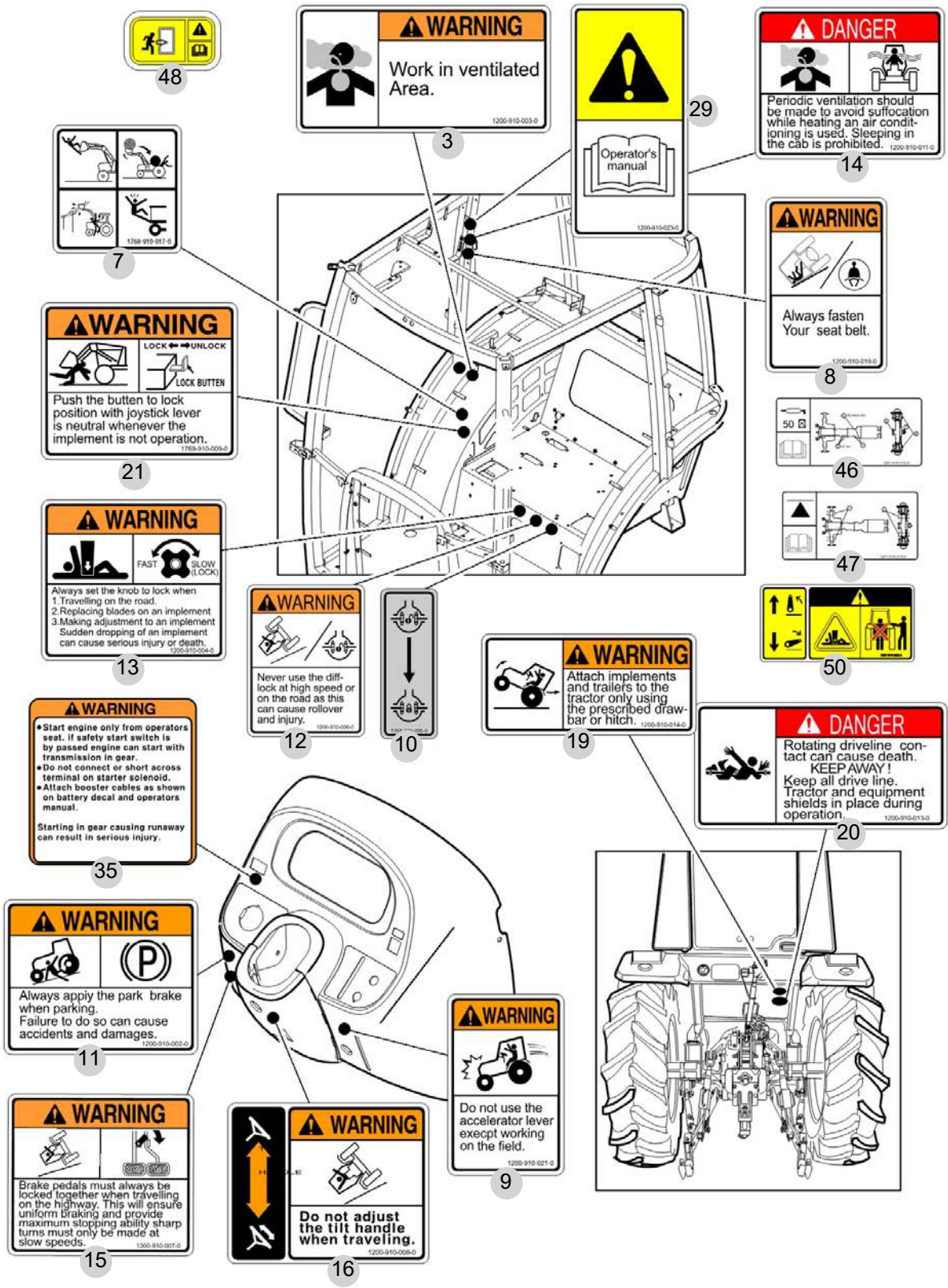
LABEL

년/월
Year/Month

2022-12



NOTE



NOTE

