

T475SHEU

Parts Catalog

목 차

1. 엔진 PART NO. EG

FIG 100 ENGINE	8
FIG 101 CYLINDER BLOCK	10
FIG 102 OILJET ASS'Y OPTION	12
FIG 103 CRANK SHAFT	14
FIG 104 PISTON	16
FIG 105 CYLINDER HEAD	18
FIG 106 ROCKER LEVER	20
FIG 107 HEAD COVER	22
FIG 108 GEAR CASE	24
FIG 109 IDLE GEAR	26
FIG 110 CAM SHAFT	28
FIG 111 OIL PUMP	30
FIG 112 HYD. PUMP DRIVE	32
FIG 113 2ND BALANCE	34
FIG 114 OIL PAN	36
FIG 115 INTAKE MANIFOLD	38
FIG 116 EXHAUST MANIFOLD	40
FIG 117 DPF SUPPORT OPTION	42
FIG 118 TURBOCHARGER PLUMBING OPTION	44
FIG 119 BREATHER	46
FIG 120 FUEL INJECTION PUMP	48
FIG 121 FUEL INJECTION VALVE	50
FIG 122 FUEL PIPE ASS'Y	52
FIG 123 OIL FILTER	54
FIG 124 OIL COOLER	56
FIG 125 OIL GAUGUE	58
FIG 126 OIL FILLER CAP	60
FIG 127 COOLING WATER PUMP	62
FIG 128 CRANK SHAFT PULLEY	64
FIG 129 V-PULLEY	66
FIG 130 COOLING FAN	68

FIG 131 FLYWHEEL HOUSING	70
FIG 132 FLYWHEEL	72
FIG 133 GLOW PLUG ASS'Y OPTION	74
FIG 134 STARTING MOTOR	76
FIG 135 FUEL FILTER BRACKET ASS'Y	78
FIG 136 ALTERNATOR	80
FIG 137 V-BELT	82
FIG 138 FUEL FILTER	84
FIG 139 DPF SUPPORT	86
FIG 140 DATAPLATE	88
FIG 142 DPF ASS'Y	90
FIG 143 LIFT ASS'Y	92
FIG 144 COMP . DRIVE PULLEY ASS'Y OPTION	94
FIG 145 LOOSED PARTS	96

2. 엔진보기품 PART NO. T2

FIG 201 AIR CLEANER	99
FIG 202 RADIATOR	101
FIG 203 MUFFLER	103
FIG 204 FUEL TANK & FILTER	105
FIG 205 OIL COOLER	107

3. 클러치/브레이크/스티어링 PART NO. T3

FIG 302 FLYWHEEL & CLUTCH	110
FIG 303 BRAKE PEDAL	112
FIG 304 BRAKE	114
FIG 306 FRONT WHEEL MOUNTING	116
FIG 307 REAR WHEEL MOUNTING	118
FIG 308 STEERING WHEEL	120
FIG 309 STEERING VALVE & PARKING	122
FIG 310 STEERING CYLINDER	124

4. 트랜스미션 PART NO. T4

FIG 401 TRANSMISSION FRONT CASE	127
FIG 402 HST	129

FIG 403 MID CASE	131
FIG 404 4WD DRIVE GEAR	133
FIG 405 INPUT GEAR	135
FIG 406 SUB CHANGE GEARS	137
FIG 407 PINION GEARS	139
FIG 408 P.T.O DRIVE SHAFT	141
FIG 409 P.T.O CHANGE GEARS	143
FIG 410 DIFF LOCK	146
FIG 411 TRANSMISSION REAR CASE	148
FIG 412 REAR AXLE HOUSINGS (1)	150
FIG 413 REAR AXLE HOUSINGS (2)	152
FIG 415 SUB CHANGE LEVER	154
FIG 416 FORWARD & REVERSE CONTROL LINKAGE	156
FIG 418 4WD CHANGE LEVER	158

5. 프런트 액슬 PART NO. T5

FIG 501 FRONT AXLE BRACKET	161
FIG 502 FRONT DIFF. GEARS & SHAFT	163
FIG 503 FRONT AXLE HOUSING	165
FIG 504 FRONT GEAR CASE (1)	167
FIG 505 FRONT GEAR CASE (2)	169

6. 유압/3점링크 PART NO. T6

FIG 601 GEAR PUMP	172
FIG 602 CYLINDER CASE	174
FIG 603 LIFT ARM	176
FIG 604 CYLINDER	178
FIG 605 POSITION LINK (1)	180
FIG 606 POSITION LINK (2)	182
FIG 607 CONTROL VALVE	184
FIG 608 POSITION LEVER	186
FIG 609 HYDRAULIC PIPE (1)	188
FIG 610 HYDRAULIC PIPE (2)	191
FIG 611 EXTERIOR HYD. VALVE	193
FIG 612 3-POINT LINK	195
FIG 613 HITCH & COVER	198

FIG 614 EXTERIOR POSITION LEVER	200
---------------------------------	-----

7. 시트메탈/캐빈 PART NO. T7

FIG 701 HOOD FRAME	203
FIG 702 HOOD	206
FIG 703 EXTENSION COVER	209
FIG 705 DASH PANEL	211
FIG 708 FRONT & REAR MOUNTING	213
FIG 709 SEAT & MAT	215
FIG 710 DOOR	217
FIG 711 FRONT GLASS	220
FIG 712 REAR GLASS	222
FIG 713 SUB FENDER & COVER	224
FIG 714 MIRROR	226
FIG 715 HEATER & AIR-CON	228
FIG 716 HEATER & AIR-CON	230
FIG 717 FENDER COVER	232
FIG 718 ROOF	234
FIG 719 CABIN INTERIOR	236

8. 전장 PART NO. T8

FIG 801 BATTERY & MOUNTING	239
FIG 802 LAMP	241
FIG 803 INSTRUMENT PANEL	243
FIG 804 ELECTRIC SYSTEM	245
FIG 805 HARNESS (1)	247
FIG 806 HARNESS (2)	249

9. 라벨/옵션 PART NO. T9

FIG 901 TOOL & ACCESSORY	252
FIG 902 WEIGHT	254
FIG 903 LABEL	256

1. 엔진 PART NO. EG

FIG 100 ENGINE	8
FIG 101 CYLINDER BLOCK	10
FIG 102 OILJET ASS'Y OPTION	12
FIG 103 CRANK SHAFT	14
FIG 104 PISTON	16
FIG 105 CYLINDER HEAD	18
FIG 106 ROCKER LEVER	20
FIG 107 HEAD COVER	22
FIG 108 GEAR CASE	24
FIG 109 IDLE GEAR	26
FIG 110 CAM SHAFT	28
FIG 111 OIL PUMP	30
FIG 112 HYD. PUMP DRIVE	32
FIG 113 2ND BALANCE	34
FIG 114 OIL PAN	36
FIG 115 INTAKE MANIFOLD	38
FIG 116 EXHAUST MANIFOLD	40
FIG 117 DPF SUPPORT OPTION	42
FIG 118 TURBOCHARGER PLUMBING OPTION	44
FIG 119 BREATHER	46
FIG 120 FUEL INJECTION PUMP	48
FIG 121 FUEL INJECTION VALVE	50
FIG 122 FUEL PIPE ASS'Y	52
FIG 123 OIL FILTER	54
FIG 124 OIL COOLER	56
FIG 125 OIL GAUGUE	58
FIG 126 OIL FILLER CAP	60
FIG 127 COOLING WATER PUMP	62
FIG 128 CRANK SHAFT PULLEY	64
FIG 129 V-PULLEY	66
FIG 130 COOLING FAN	68
FIG 131 FLYWHEEL HOUSING	70
FIG 132 FLYWHEEL	72
FIG 133 GLOW PLUG ASS'Y OPTION	74
FIG 134 STARTING MOTOR	76
FIG 135 FUEL FILTER BRACKET ASS'Y	78
FIG 136 ALTERNATOR	80
FIG 137 V-BELT	82

FIG 138 FUEL FILTER	84
FIG 139 DPF SUPPORT	86
FIG 140 DATAPLATE	88
FIG 142 DPF ASS'Y	90
FIG 143 LIFT ASS'Y	92
FIG 144 COMP . DRIVE PULLEY ASS'Y OPTION	94
FIG 145 LOOSED PARTS	96

FIG 100 T475SHEU	ENGINE	년/월 Year/Month 2022-12
---------------------	--------	------------------------------

--	--

NOTE	
------	--

FIG 100		ENGINE						년/월 Year/Month	
								2022-12	
T475SHEU		KEY NO	PART NO	DESCRIPTION	SPEC	QTY	REPAIR	EFFECTIVE DATE	REMARKS
100	2	13831001200	엔진 , A2300N4-TETC_5			1			
NOTE									

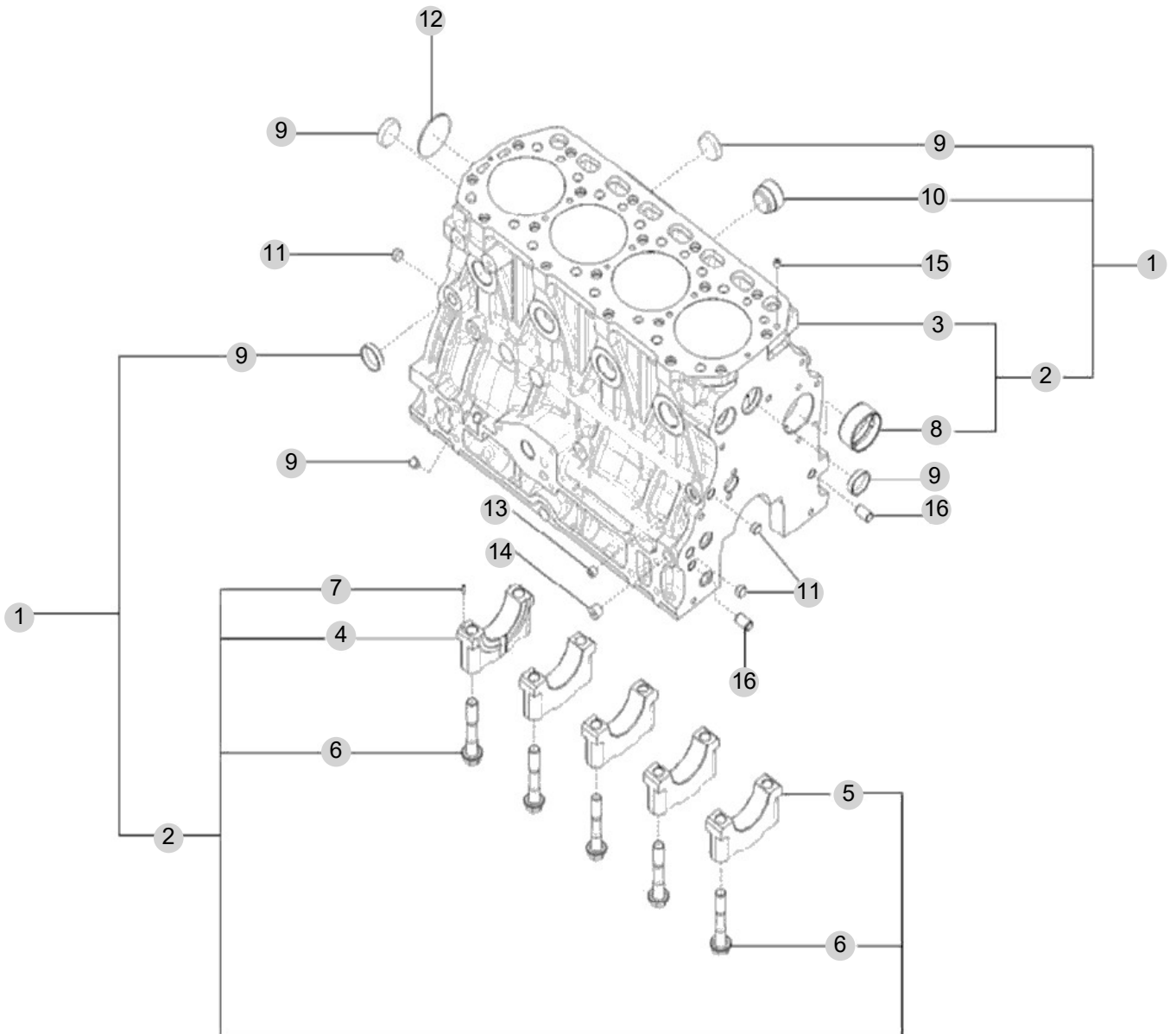
FIG 101

T475SHEU

CYLINDER BLOCK

년/월
Year/Month

2022-12



NOTE

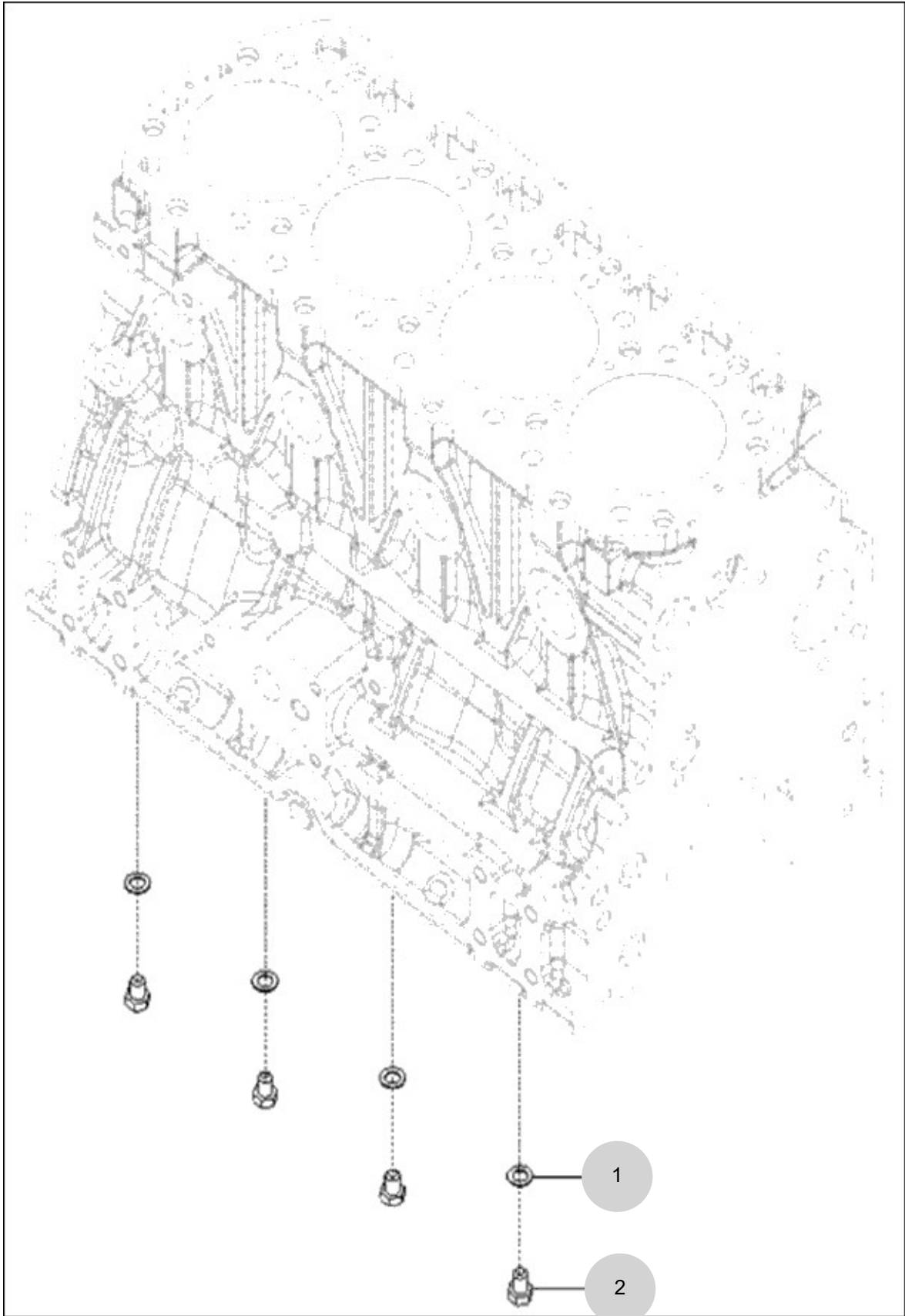
FIG 102

OILJET ASS'Y OPTION

년/월
Year/Month

T475SHEU

2022-12



NOTE

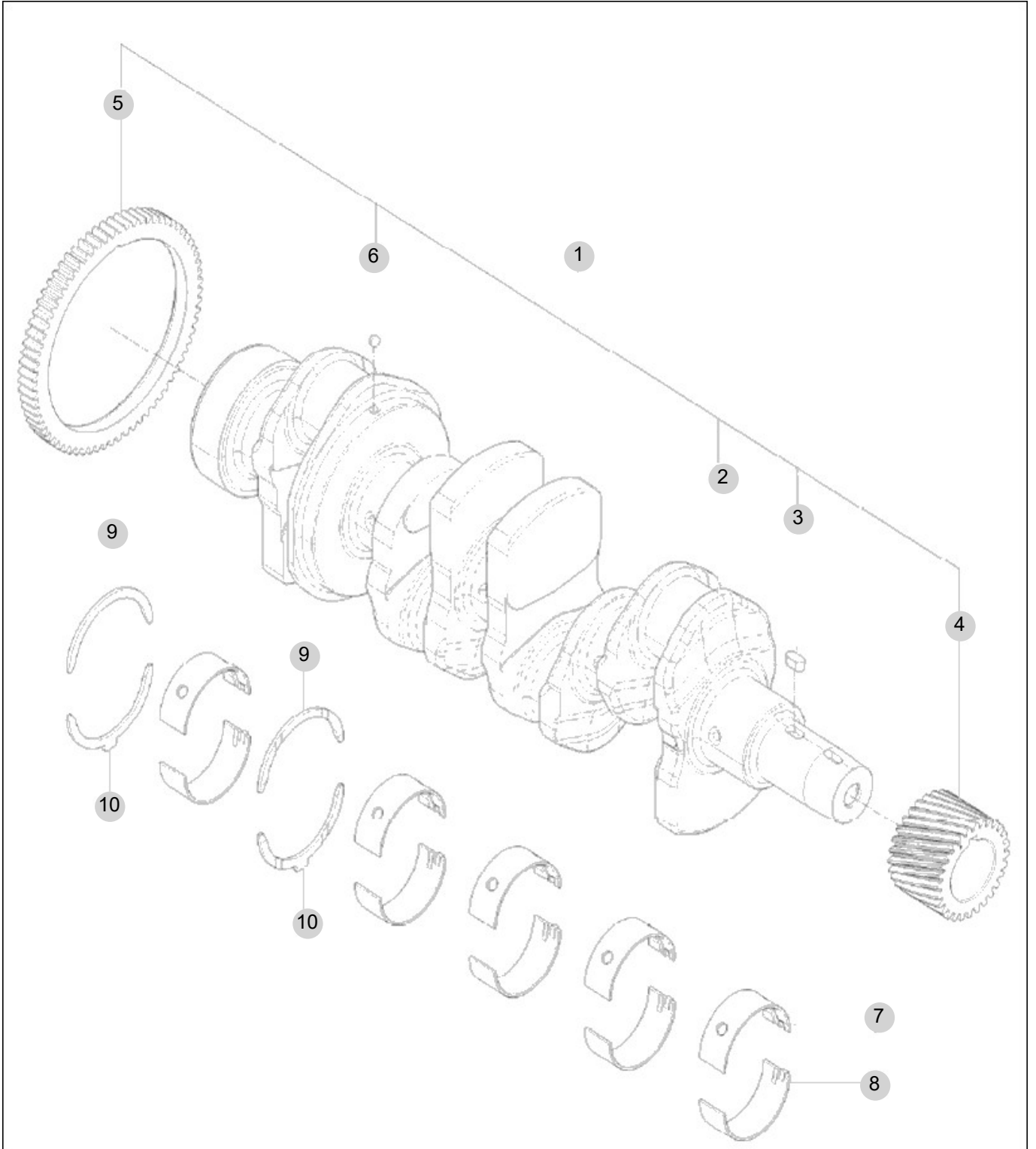
FIG 103

T475SHEU

CRANK SHAFT

년/월
Year/Month

2022-12



NOTE

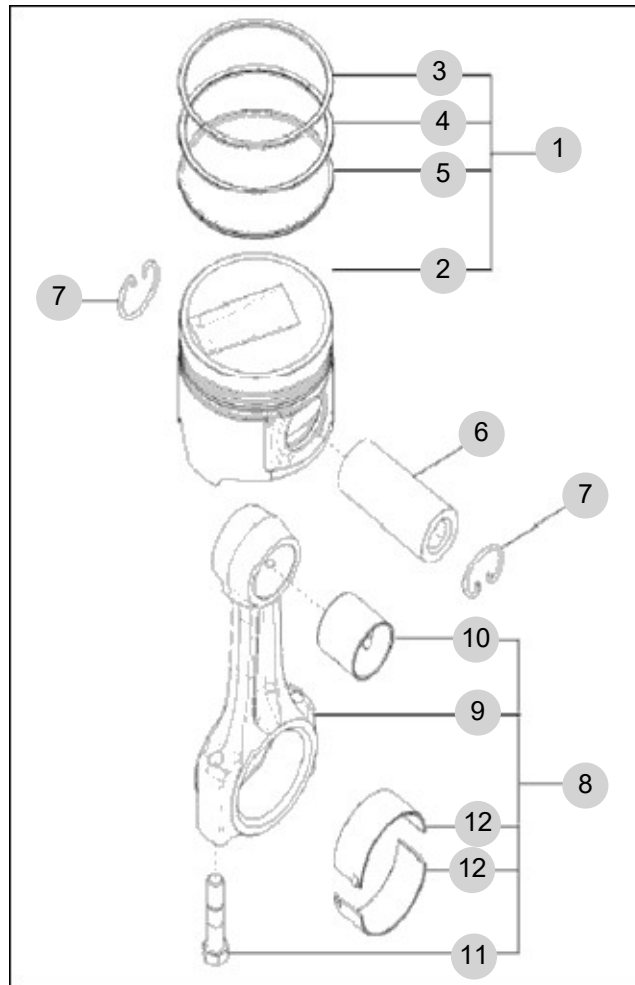
FIG 104

T475SHEU

PISTON

년/월
Year/Month

2022-12



NOTE

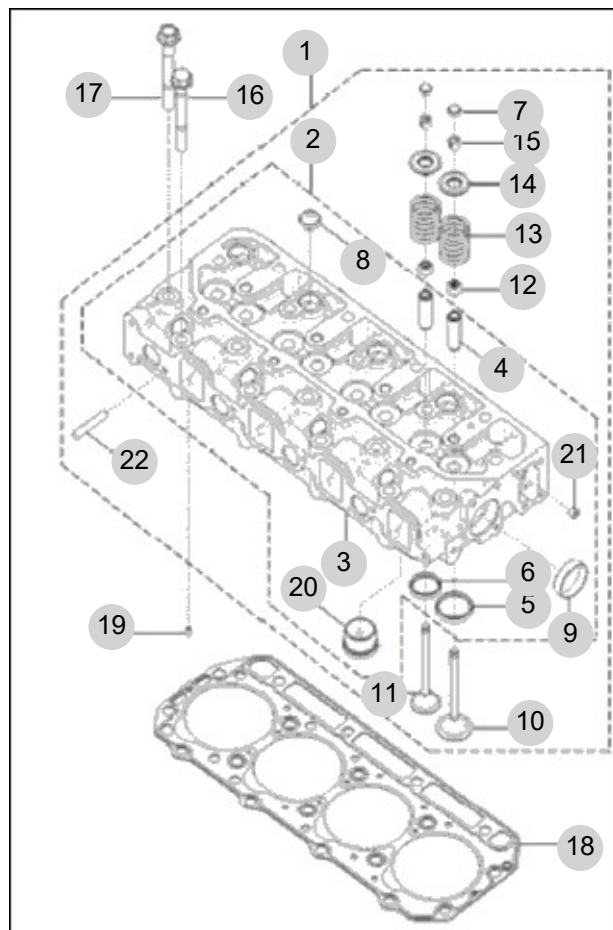
FIG 105

T475SHEU

CYLINDER HEAD

년/월
Year/Month

2022-12



NOTE

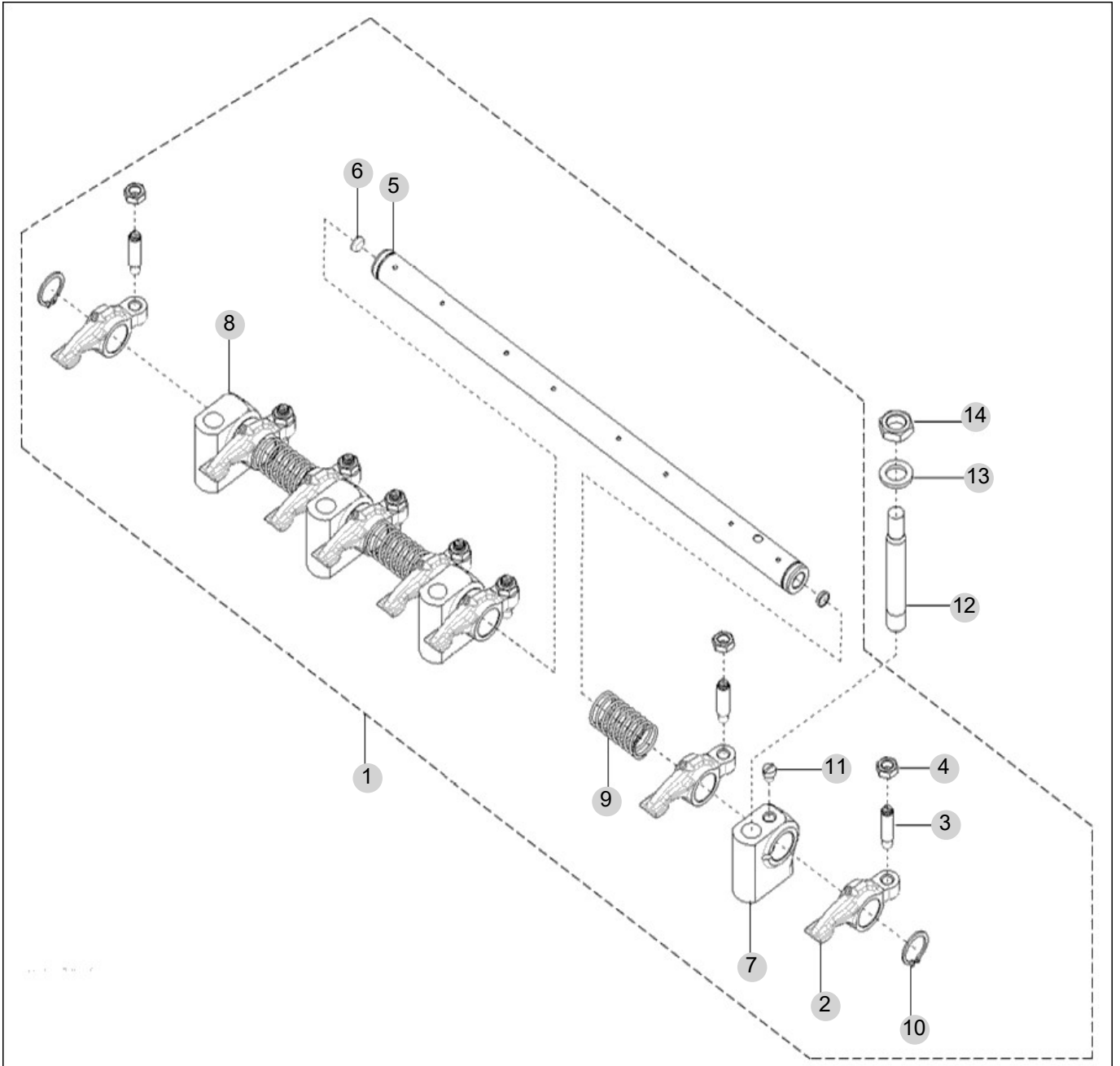
FIG 106

T475SHEU

ROCKER LEVER

년/월
Year/Month

2022-12



NOTE

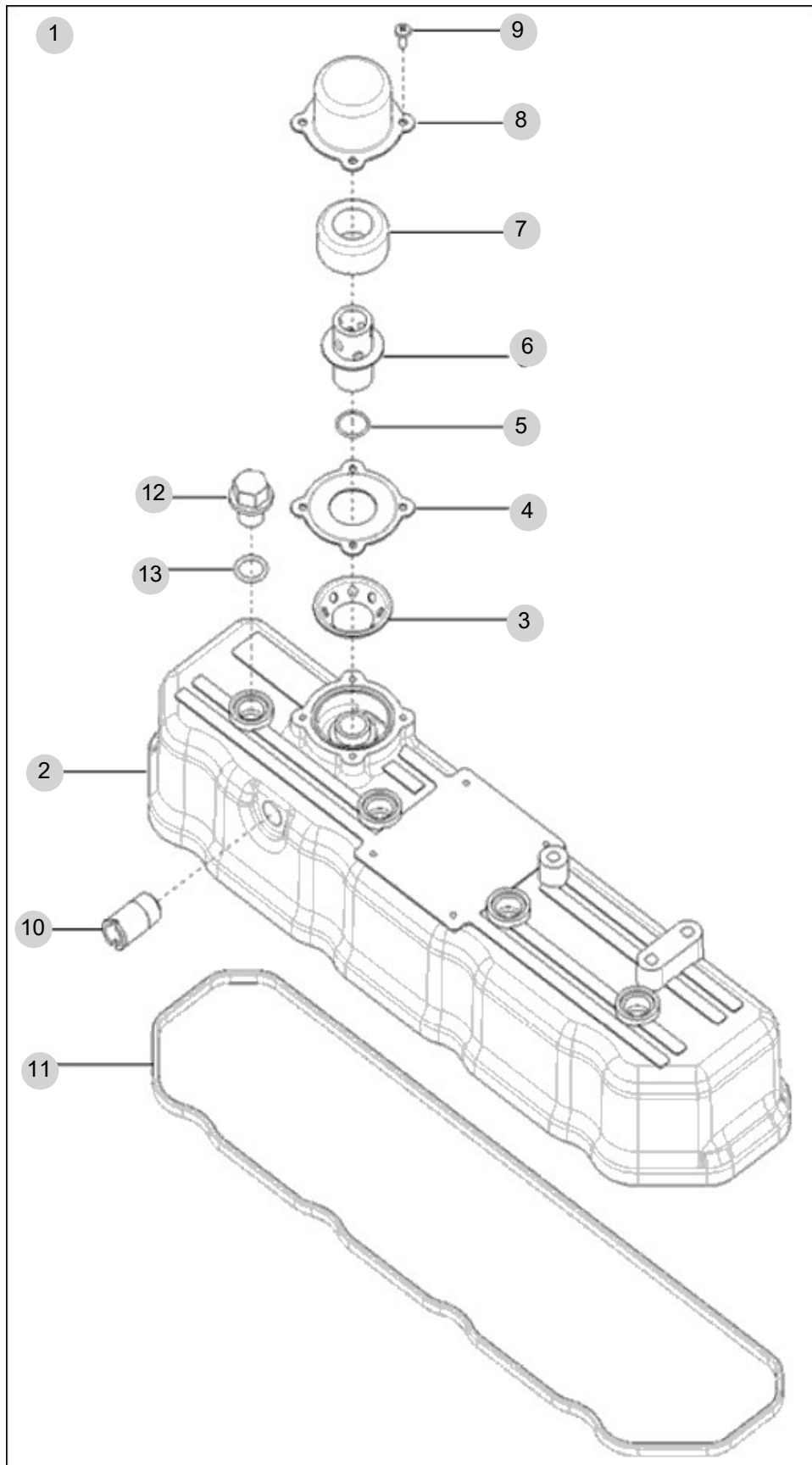
FIG 107

T475SHEU

HEAD COVER

년/월
Year/Month

2022-12



NOTE

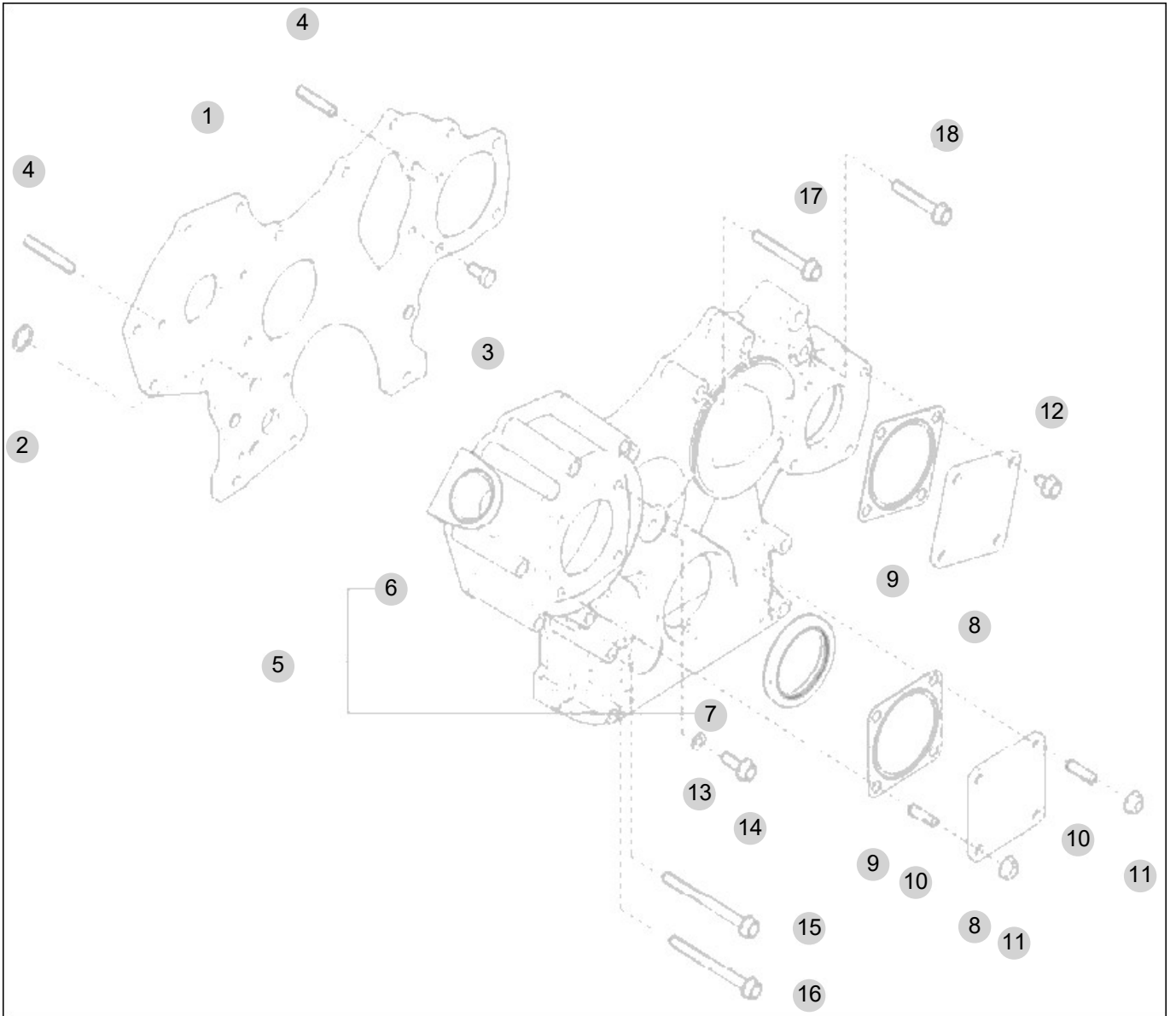
FIG 108

T475SHEU

GEAR CASE

년/월
Year/Month

2022-12



NOTE

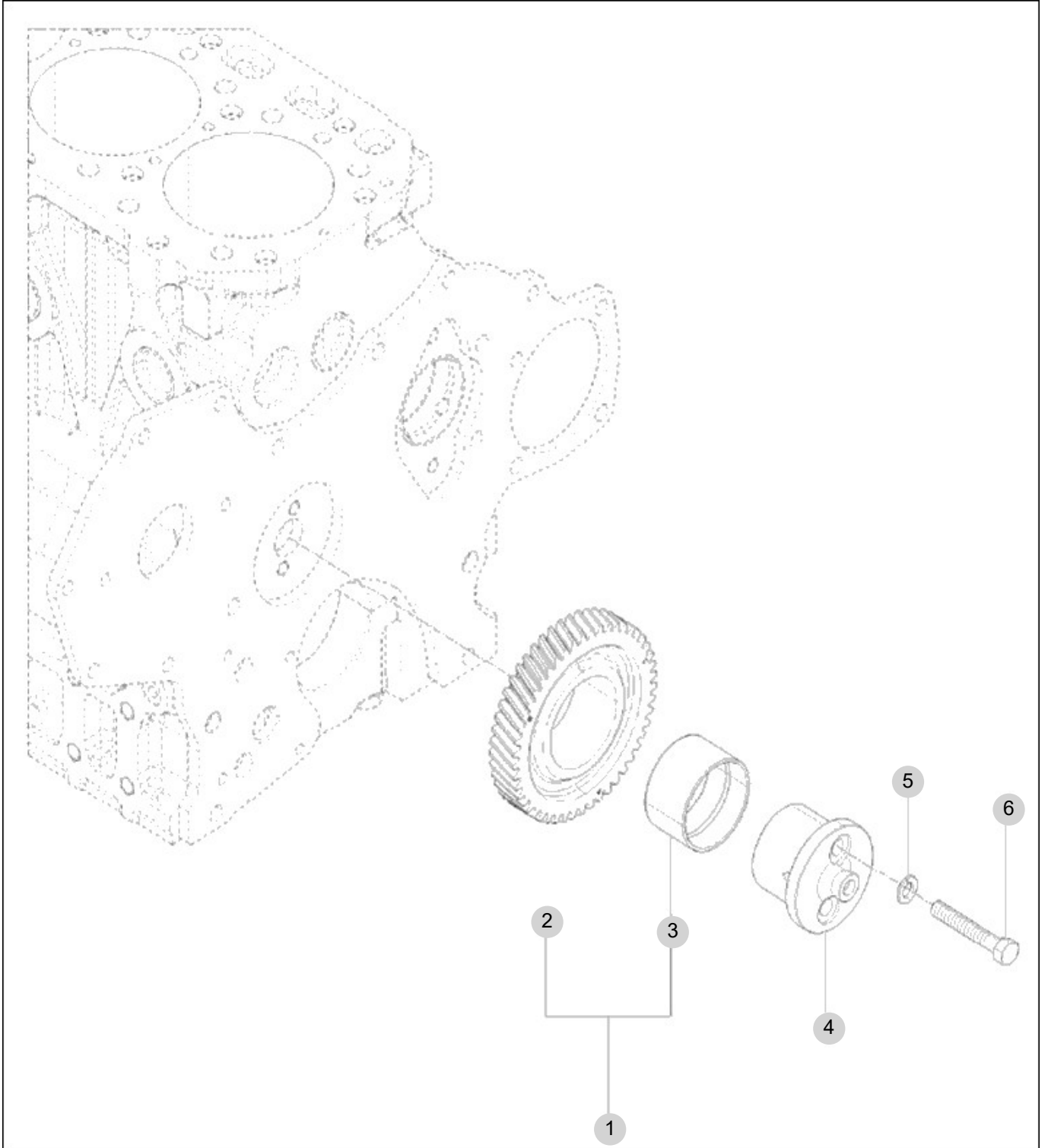
FIG 109

T475SHEU

IDLE GEAR

년/월
Year/Month

2022-12



NOTE

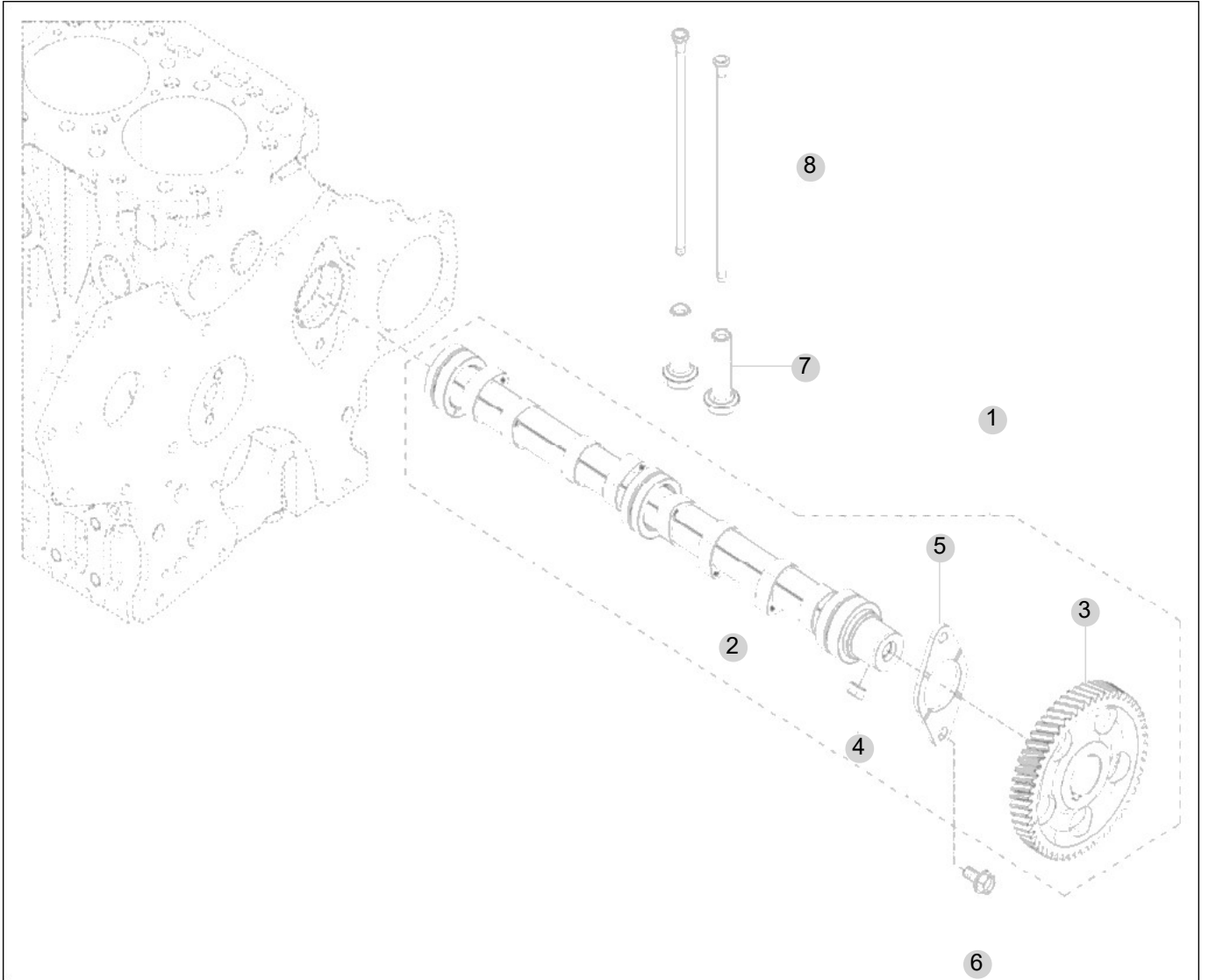
FIG 110

T475SHEU

CAM SHAFT

년/월
Year/Month

2022-12



NOTE

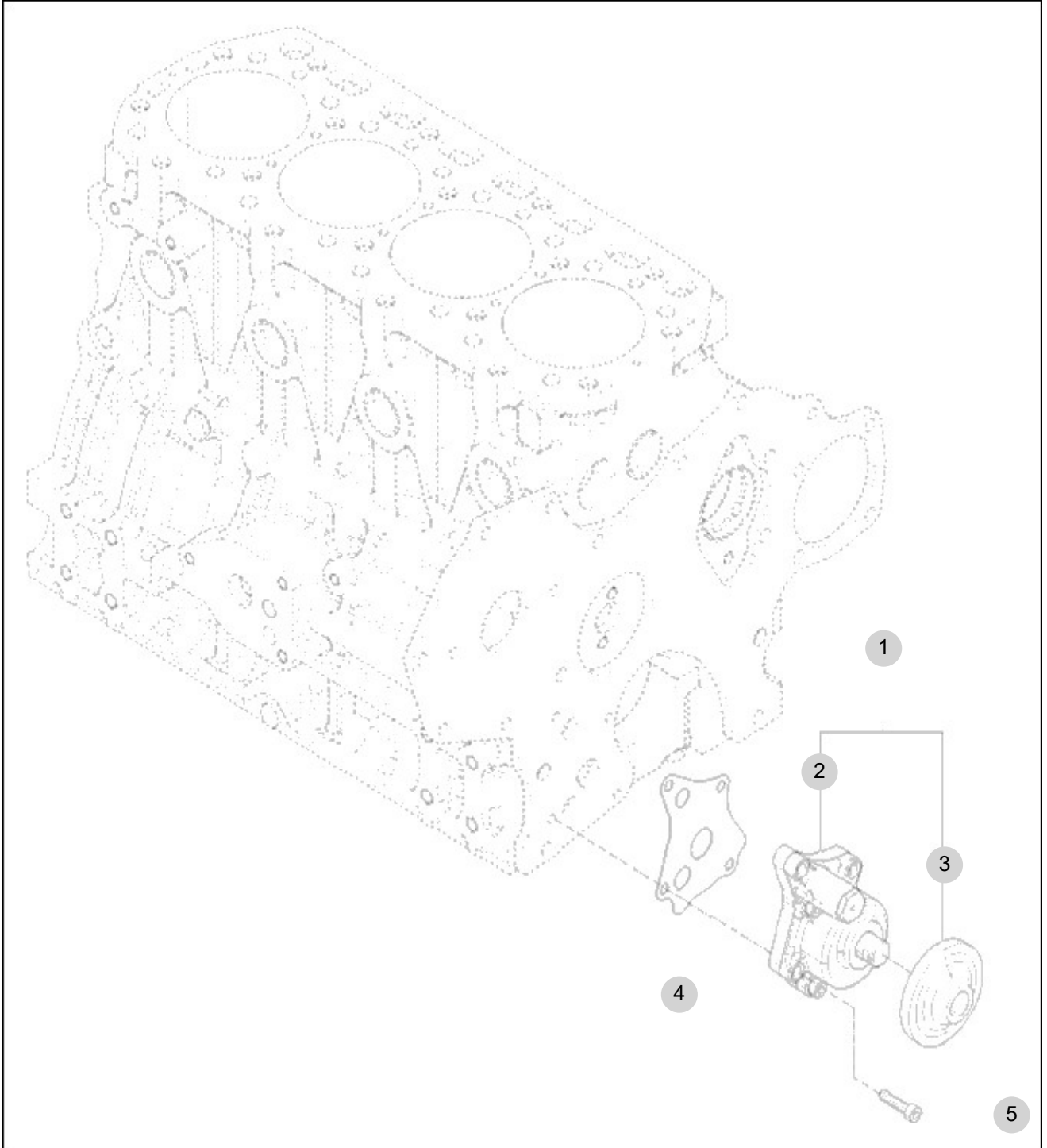
FIG 111

OIL PUMP

년/월
Year/Month

T475SHEU

2022-12



NOTE

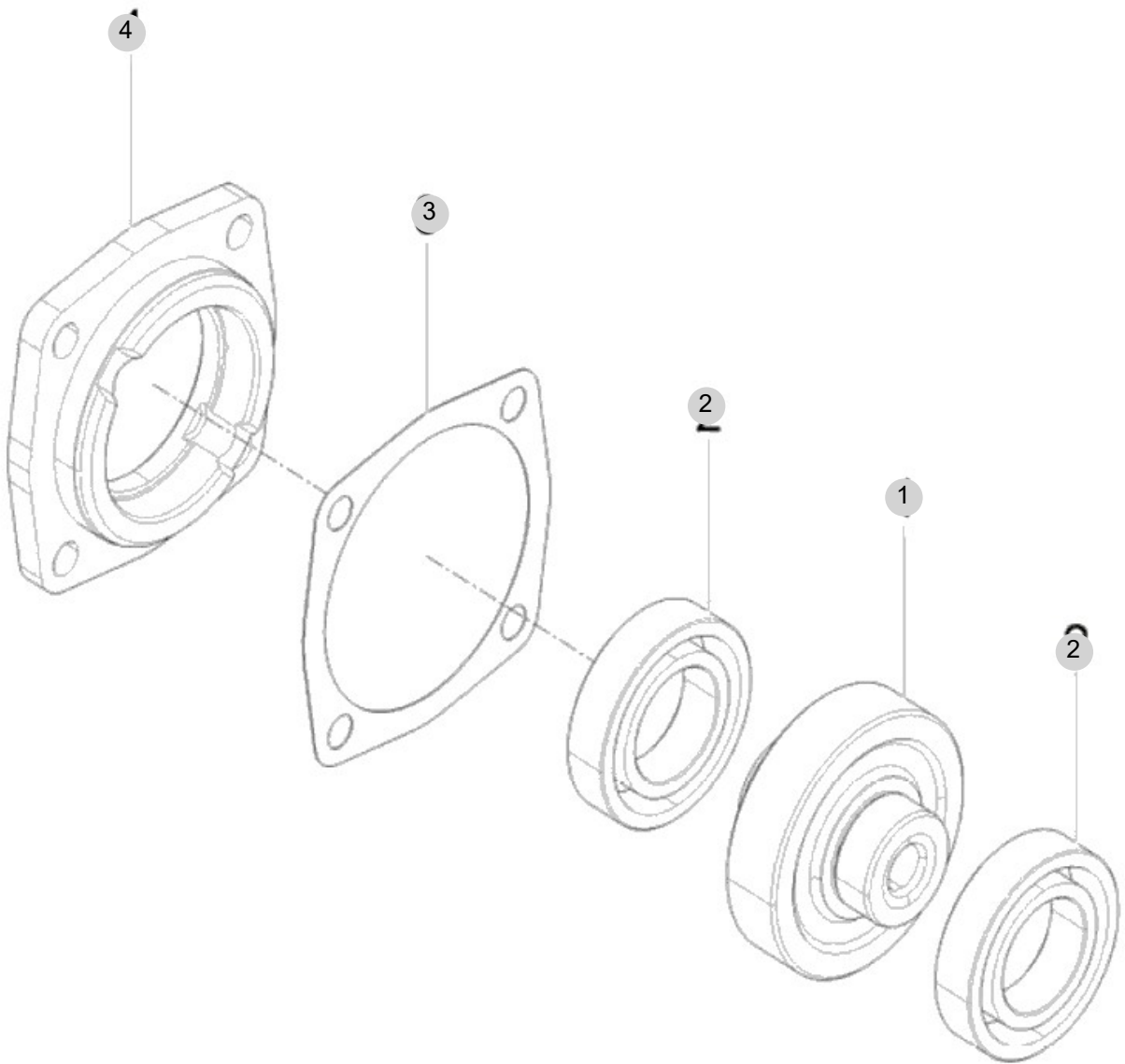
FIG 112

T475SHEU

HYD. PUMP DRIVE

년/월
Year/Month

2022-12



NOTE

FIG 112 T475SHEU		HYD. PUMP DRIVE						년/월 Year/Month	
								2022-12	
KEY NO	PART NO	DESCRIPTION	SPEC	QTY	REPAIR	EFFECTIVE DATE			
112	1	HRA4000300A	HYD. PUMP DRIVE GEA			1			
112	2	24101-060064	볼베어링			2			
112	3	HK02350000A	PACKING			1			
112	4	HK02340000B	유압펌프기어커버			1			
NOTE									

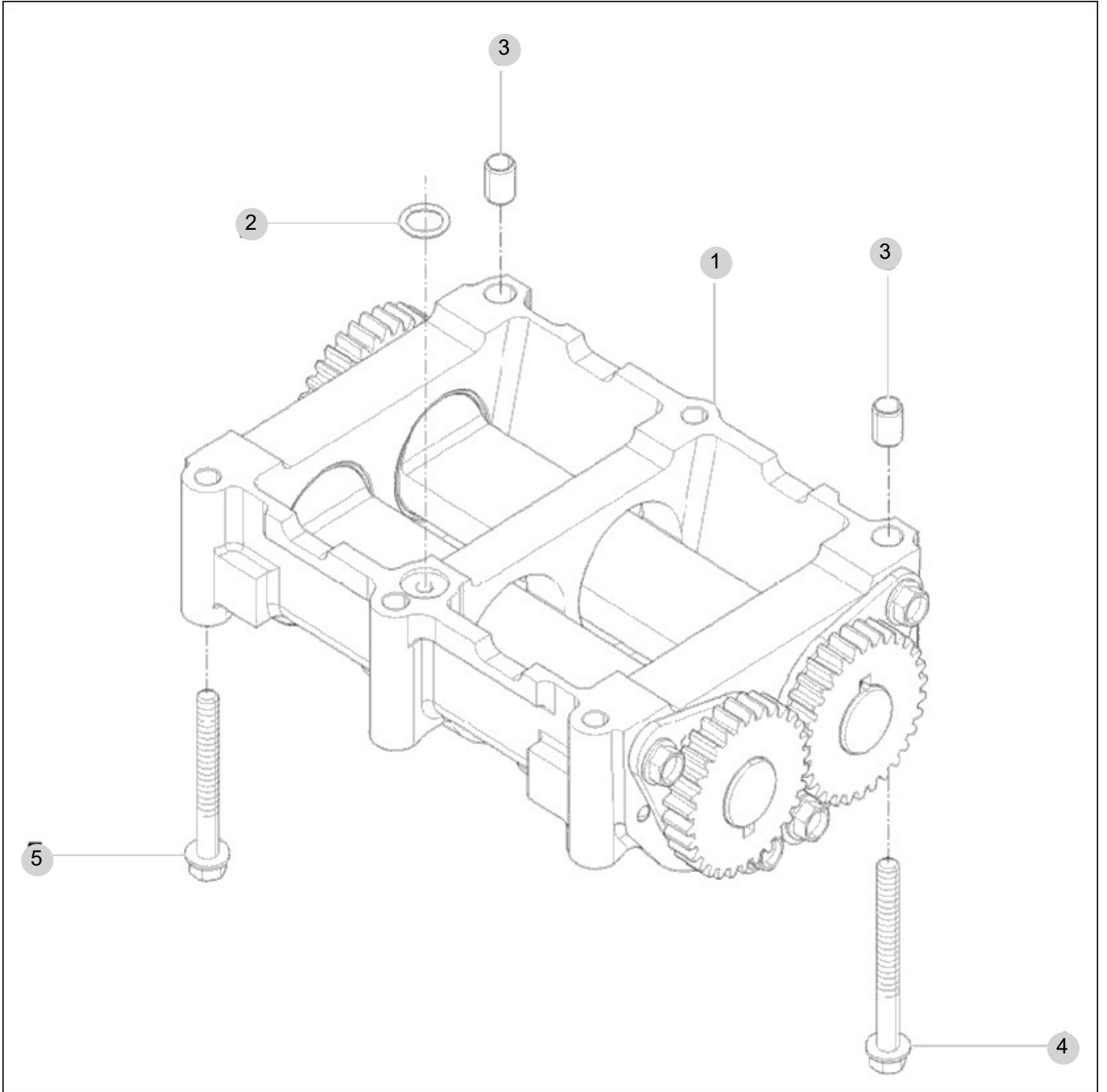
FIG 113

T475SHEU

2ND BALANCE

년/월
Year/Month

2022-12



NOTE

FIG 113 T475SHEU		2ND BALANCE						년/월 Year/Month
								2022-12
KEY NO	PART NO	DESCRIPTION	SPEC	QTY	REPAIR	EFFECTIVE DATE	REMARKS	
113	1	HRA1000100A	BALANCE ASS'Y			1		
113	2	24311-000140	441,ALL,O-RINGP-14			1		
113	3	HRA1000700A	PIN, GUIDE			2		
113	4	26106-080752	HEX. FLANGE BOLT			2		
113	5	26106-080652	육각플랜지볼트			4		
NOTE								

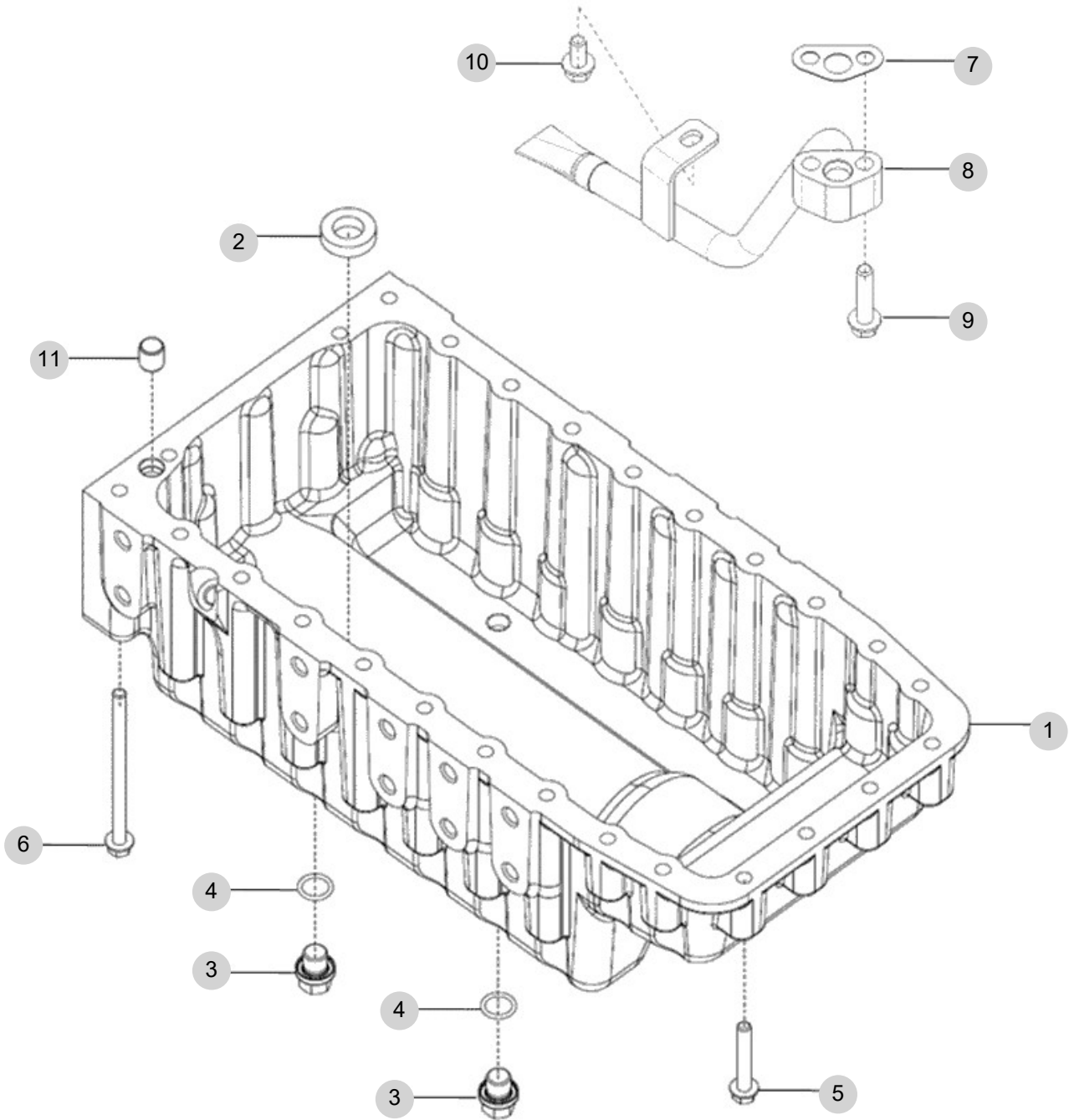
FIG 114

T475SHEU

OIL PAN

년/월
Year/Month

2022-12



NOTE

FIG 114 T475SHEU		OIL PAN						년/월 Year/Month	
								2022-12	
KEY NO	PART NO	DESCRIPTION	SPEC	QTY	REPAIR	EFFECTIVE DATE	REMARKS		
114	1	EA00005335A	오일팬	1					
114	2	HF01470000A	자석	1					
114	3	23490-140002	드레인플러그	2					
114	4	24311-000160	운동용 O-링	2					
114	5	26106-080502	육각플랜지볼트	8					
114	6	26106-081202	육각플랜지볼트	18					
114	7	HRD1100700B	패킹(오일흡입관)	1					
114	8	EA00006372A	오일흡입관조합	1					
114	9	26106-080352	육각플랜지볼트	2					
114	10	26106-080162	육각플랜지볼트	1					
114	11	HRA0300800A	노크핀	1					
NOTE									

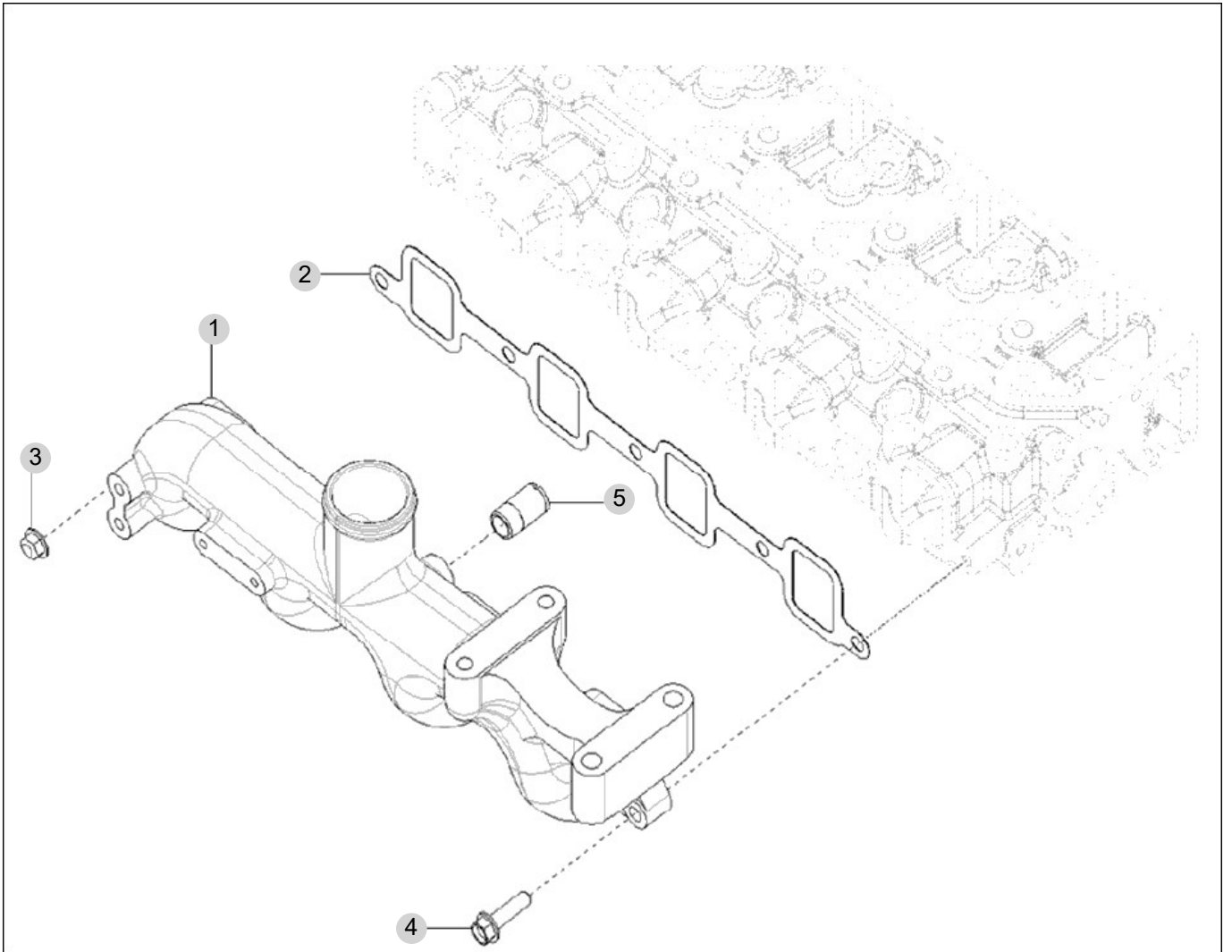
FIG 115

T475SHEU

INTAKE MANIFOLD

년/월
Year/Month

2022-12



NOTE

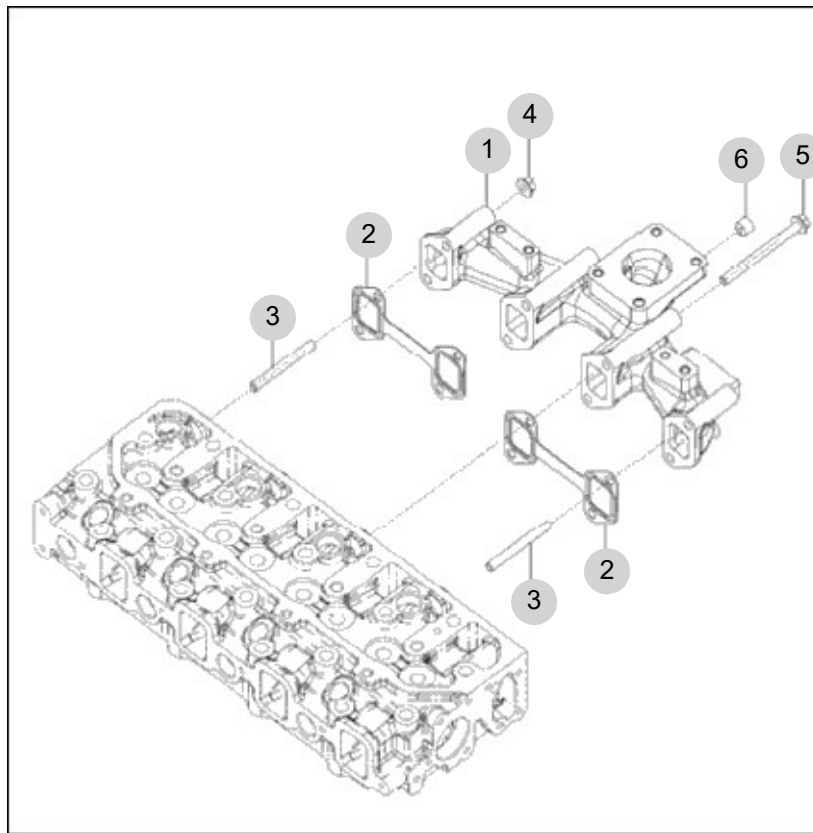
FIG 116

T475SHEU

EXHAUST MANIFOLD

년/월
Year/Month

2022-12



NOTE

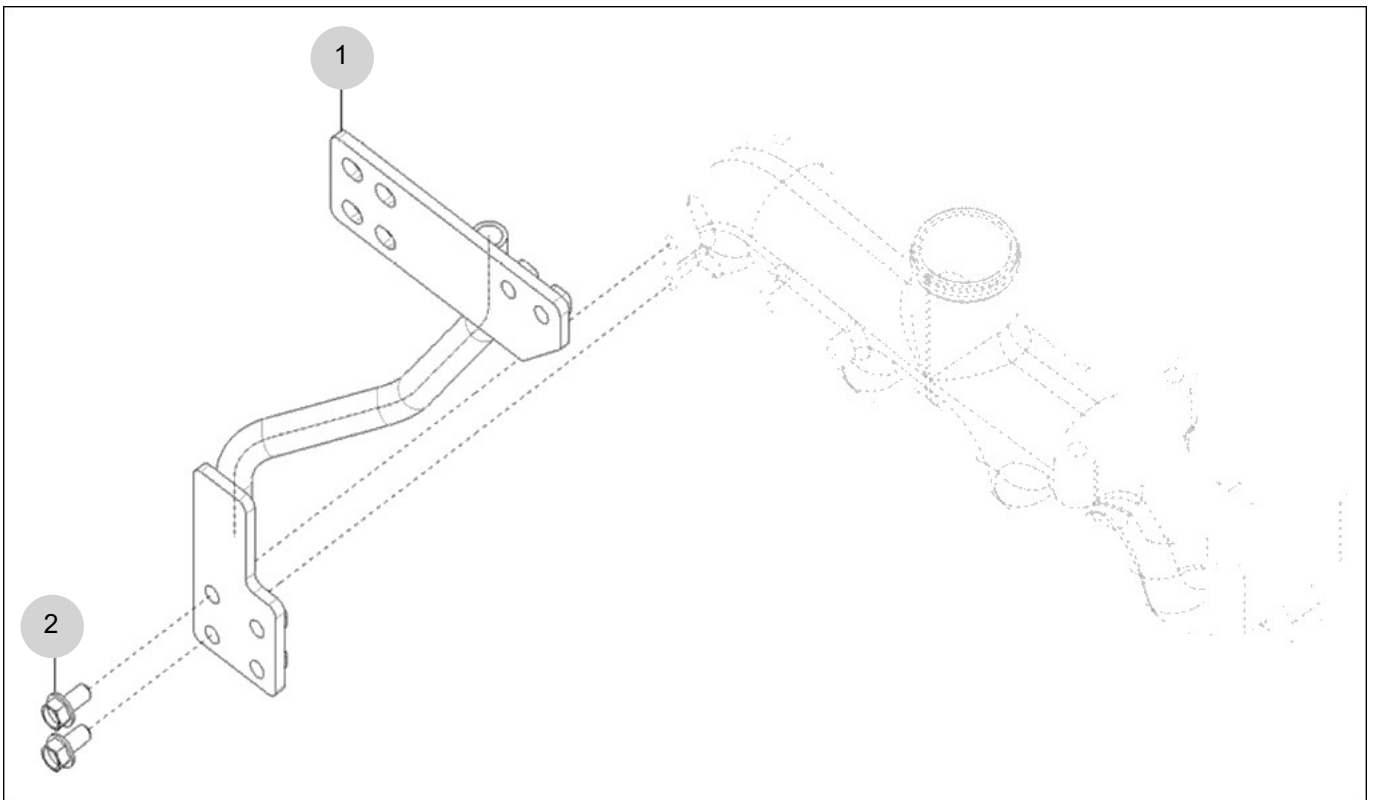
FIG 117

T475SHEU

DPF SUPPORT OPTION

년/월
Year/Month

2022-12



NOTE

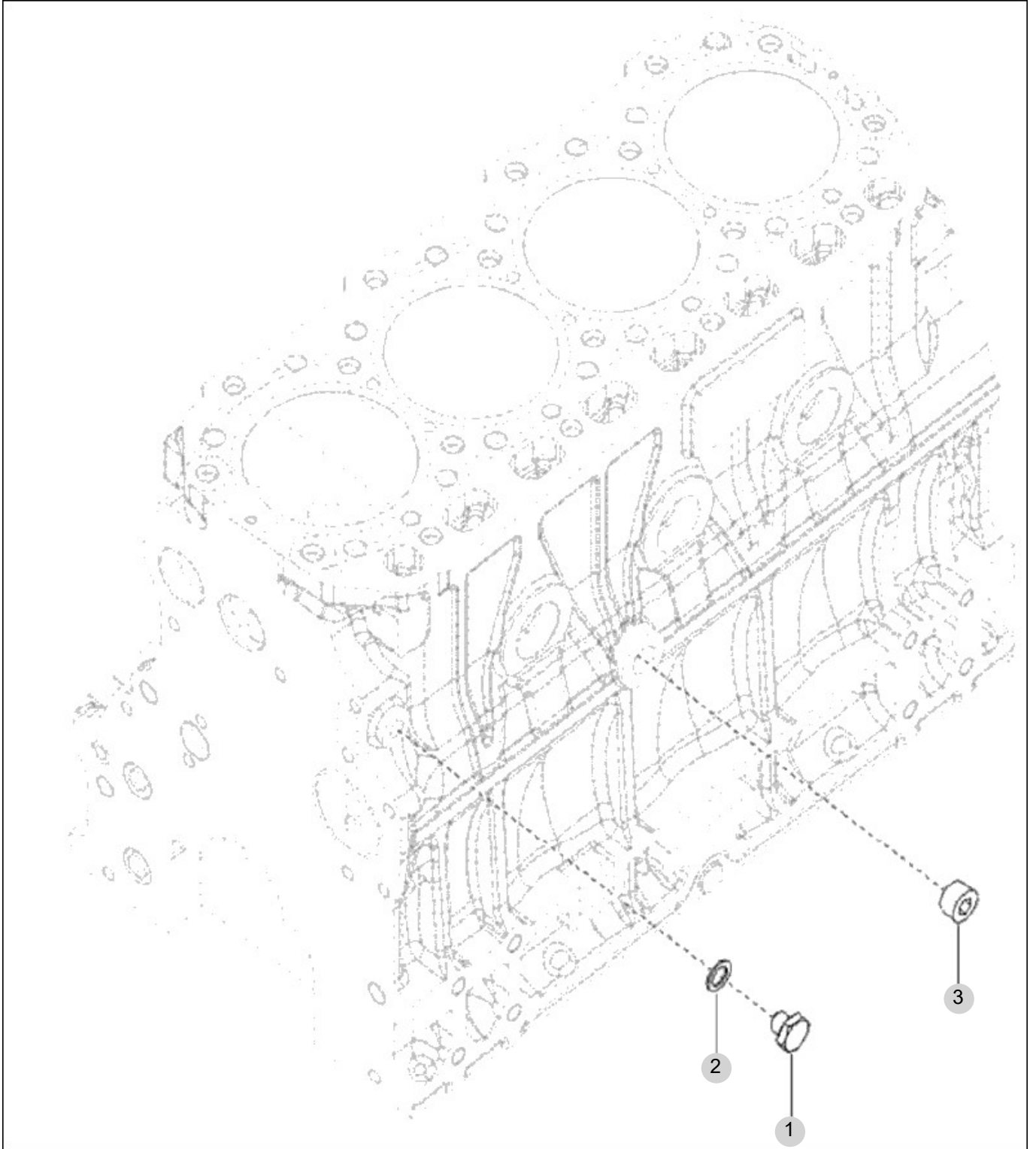
FIG 118

TURBOCHARGER PLUMBING OPTION

년/월
Year/Month

T475SHEU

2022-12



NOTE

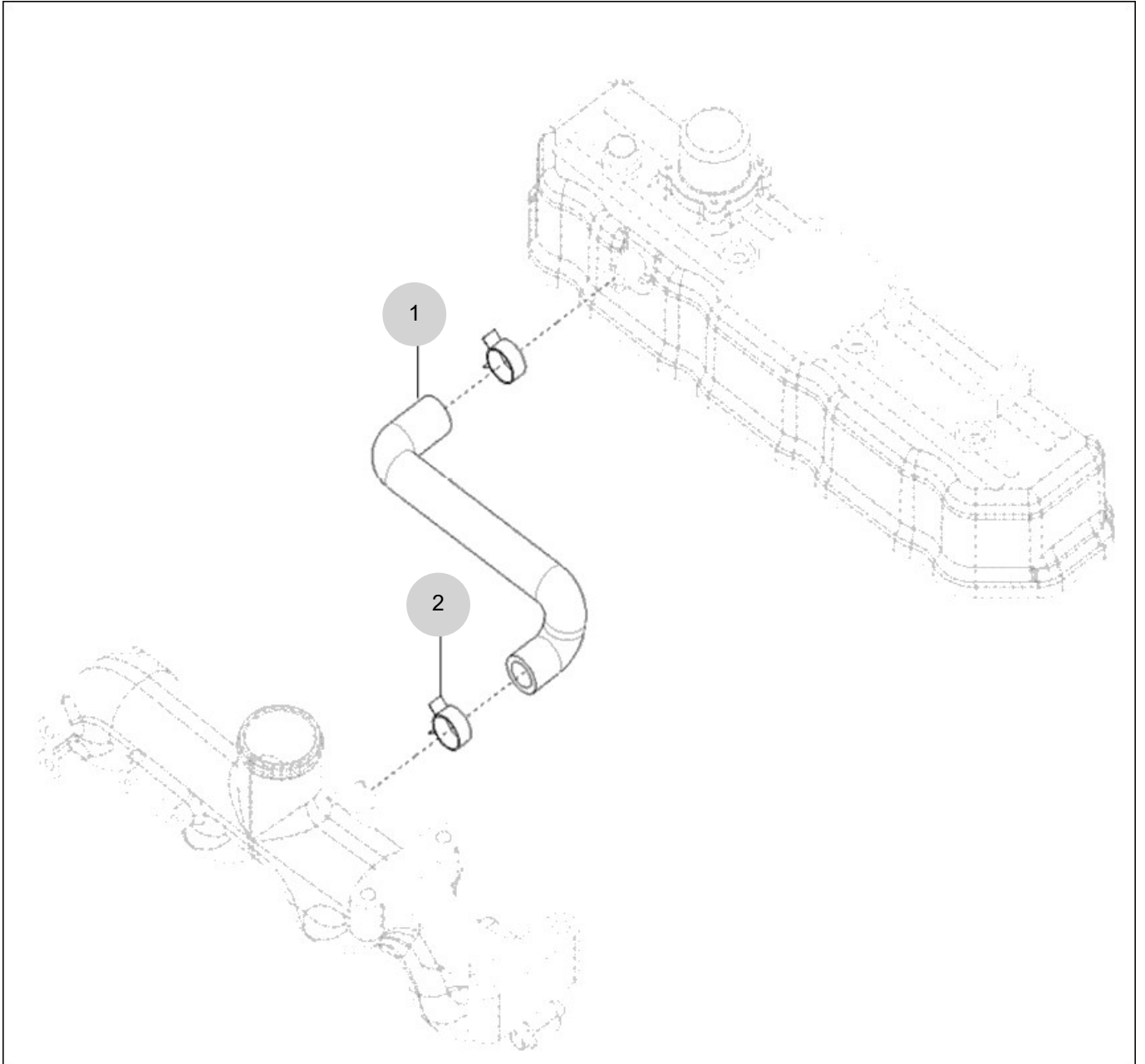
FIG 119

T475SHEU

BREATHER

년/월
Year/Month

2022-12



NOTE

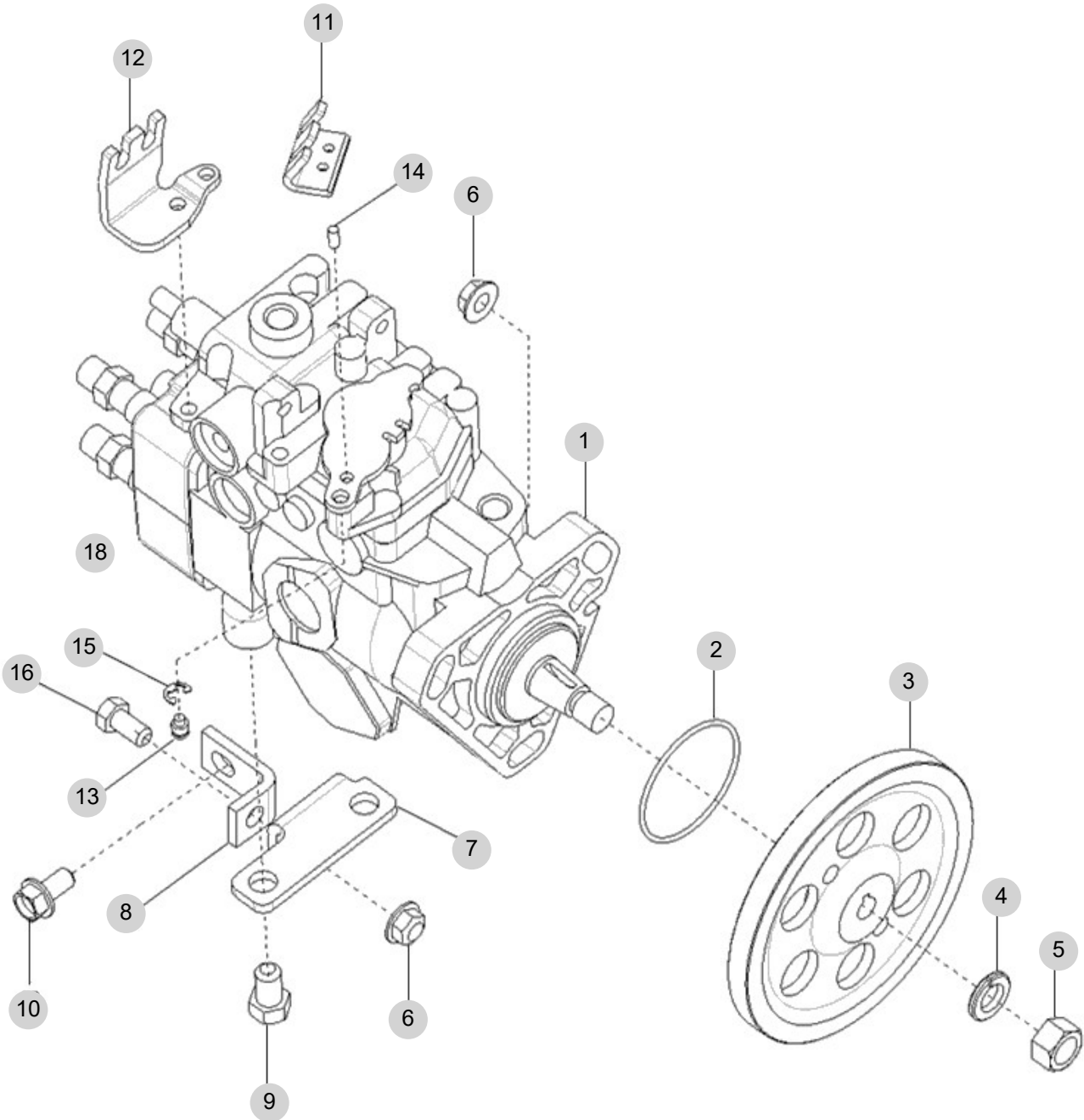
FIG 120

FUEL INJECTION PUMP

년/월
Year/Month

T475SHEU

2022-12



NOTE

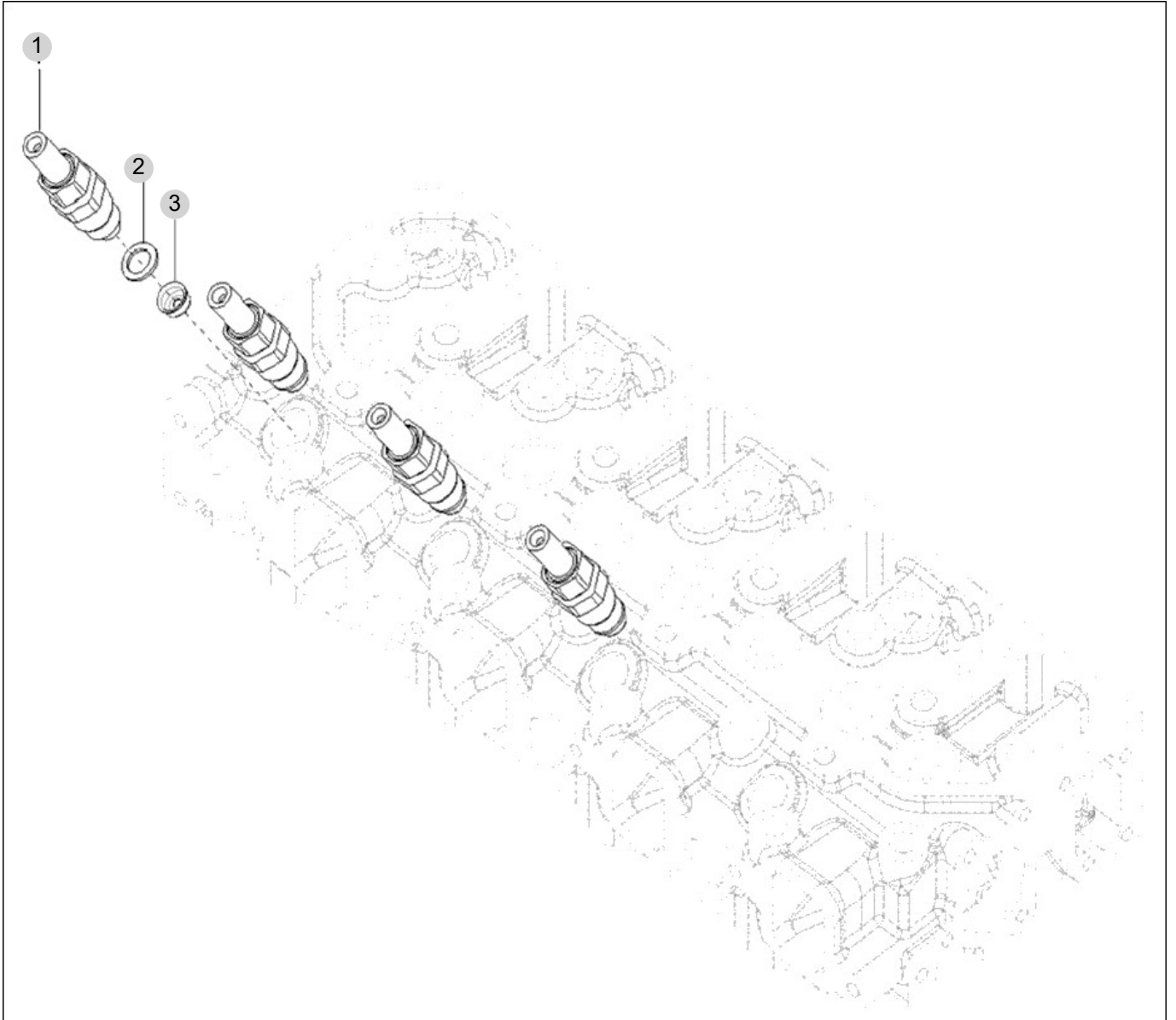
FIG 121

FUEL INJECTION VALVE

년/월
Year/Month

T475SHEU

2022-12



NOTE

FIG 121 T475SHEU		FUEL INJECTION VALVE						년/월 Year/Month
								2022-12
KEY NO	PART NO	DESCRIPTION	SPEC	QTY	REPAIR	EFFECTIVE DATE	REMARKS	
121	1	EA00000642B	연료분사밸브조합		4			
121	1	EA00000642A	연료분사밸브(EA00000642B로 주문변경)		4			
121	2	HRA0404900A	씰(HRA0404900A4로 주문변경요)		4			
121	3	HRA0405000A	스페이서(HRA0405000A4로 주문변경)		4			
NOTE								

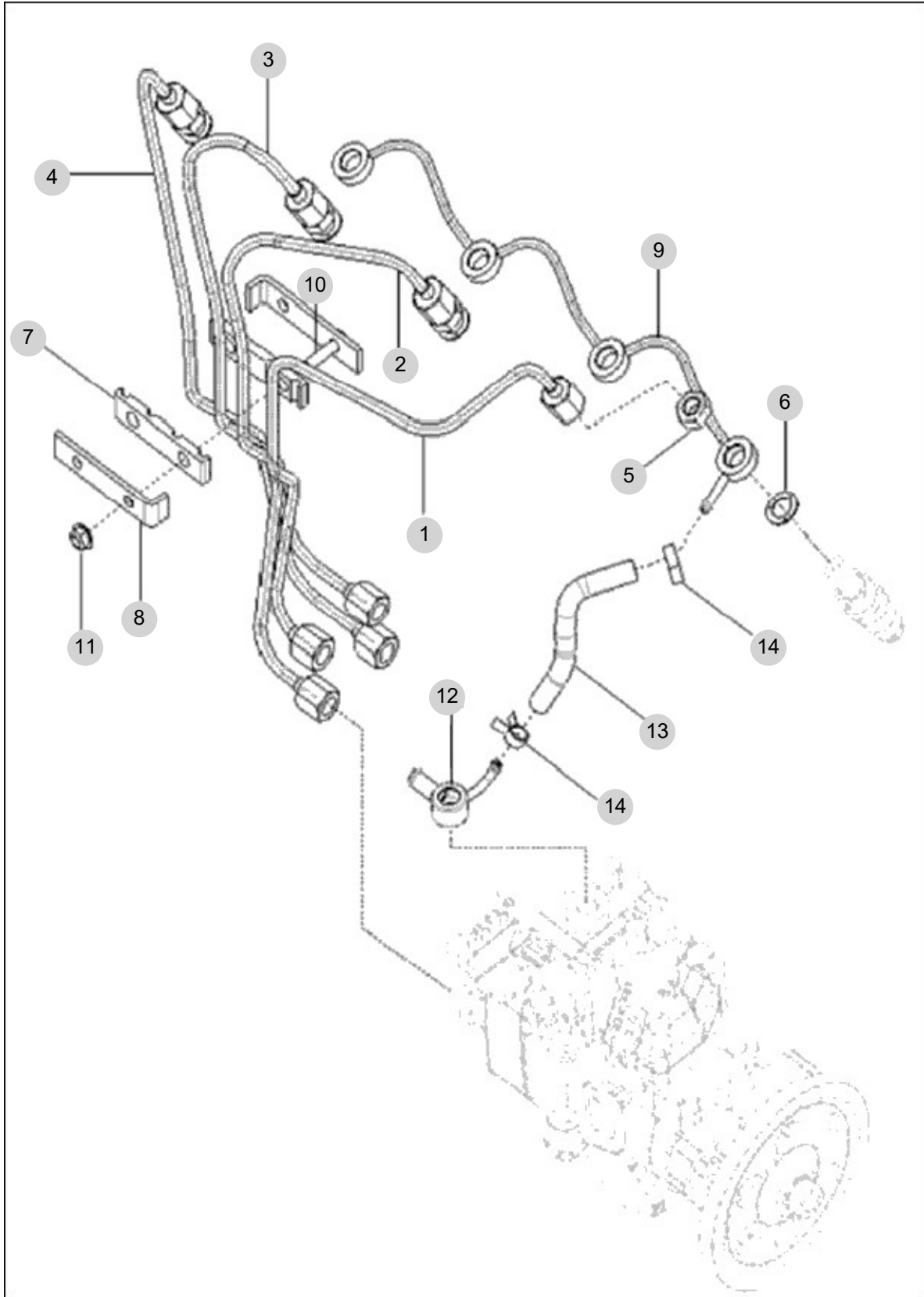
FIG 122

FUEL PIPE ASS'Y

년/월
Year/Month

T475SHEU

2022-12



NOTE

FIG 122 T475SHEU		FUEL PIPE ASS'Y					년/월 Year/Month	
							2022-12	
KEY NO	PART NO	DESCRIPTION	SPEC	QTY	REPAIR	EFFECTIVE DATE	REMARKS	
122	1	HRA150050DC	연료파이프조합(A)		1			
122	1	HRA150050DB	FUEL PIPE ASS'Y(A)		1			
122	2	HRA150060DC	연료파이프조합(B)		1			
122	2	HRA150060DB	FUEL PIPE ASS'Y(B)		1			
122	3	HRA150070DC	연료파이프조합(C)		1			
122	3	HRA150070DB	FUEL PIPE ASS'Y(C)		1			
122	4	HRA150080DB	FUEL PIPE ASS'Y(D)		1			
122	4	HRA150080DC	연료파이프조합(D)		1			
122	5	HK13450000A	NUT, REGULAR HEXAGON		4			
122	6	HK13440000A	GASKET, FUEL MANIFOLD		4			
122	7	HRA1502700A	RUBBER, BRACKET		2			
122	8	HRA1502800A	CLAMP, TUBE		2			
122	9	HRA1500900C	FUEL RETURN PIPE AS		1			
122	10	26161-060252	STUD, WELD		2			
122	11	26367-060002	육각플랜지너트		2			
122	12	HRA1502400D	조인트		1			
122	12	HRA1502400C	CONNECTOR, BANJO		1			
122	13	EA00000700A	TUBE, FUEL DRAIN		1			
122	14	23080-010000	호스클램프		2			
NOTE								

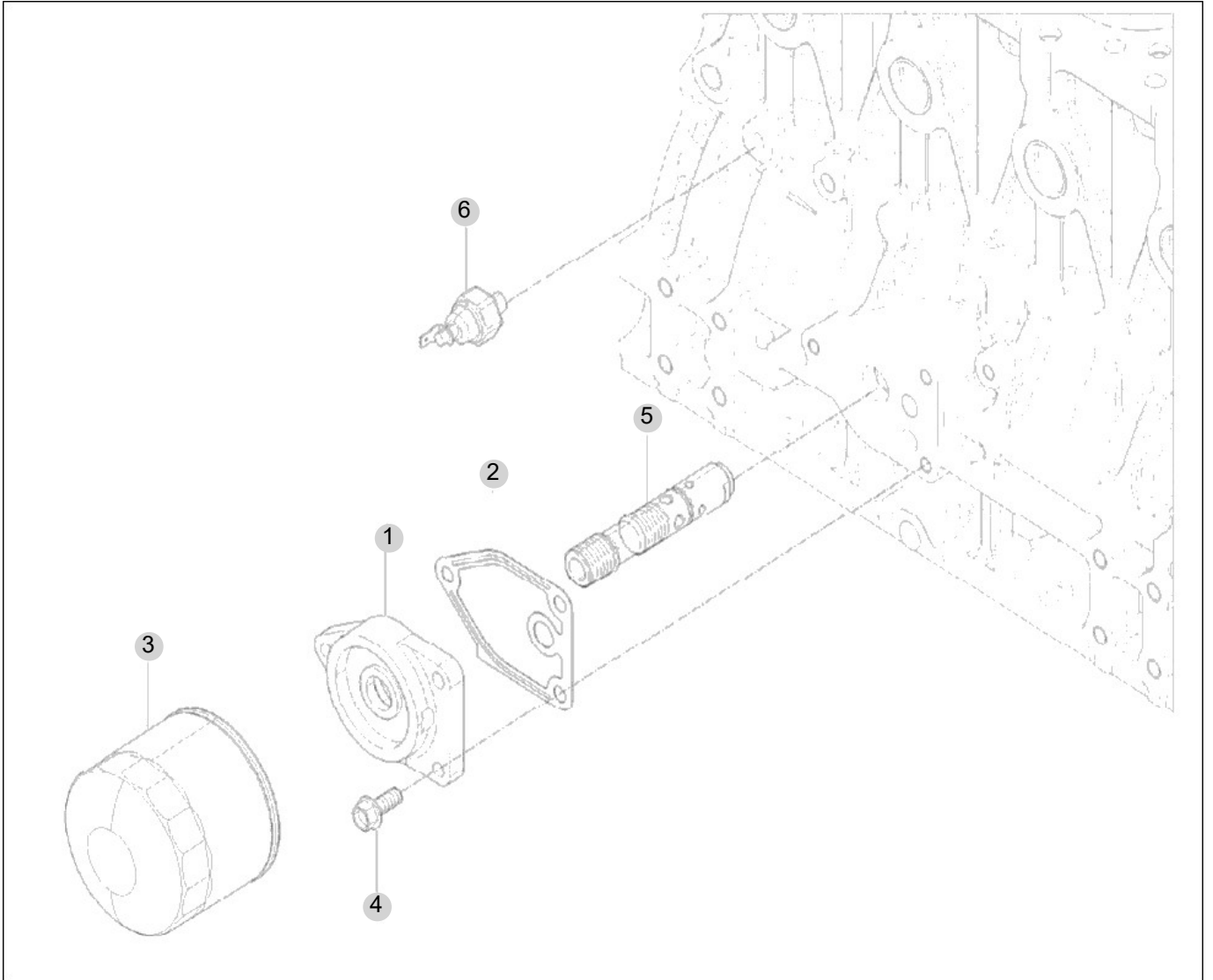
FIG 123

T475SHEU

OIL FILTER

년/월
Year/Month

2022-12



NOTE

FIG 123 T475SHEU		OIL FILTER						년/월 Year/Month	
								2022-12	
KEY NO	PART NO	DESCRIPTION	SPEC	QTY	REPAIR	EFFECTIVE DATE	REMARKS		
123	1	HRA1100900B	오일휠터브래킷			1			
123	2	HRA1101000B	패킹(오일필터)			1			
123	2	HRA1101000A	PACKING(OIL FILTER)			1			
123	3	EA00004647A	FILTER , ENGINE OIL			1			
123	4	26106-080202	HEX. FLANGE BOLT	8X20		3			
123	5	EA00002852A	압력조절밸브조합			1			
123	6	HA09250000A	오일압력스위치	1X1X1		1			
NOTE									

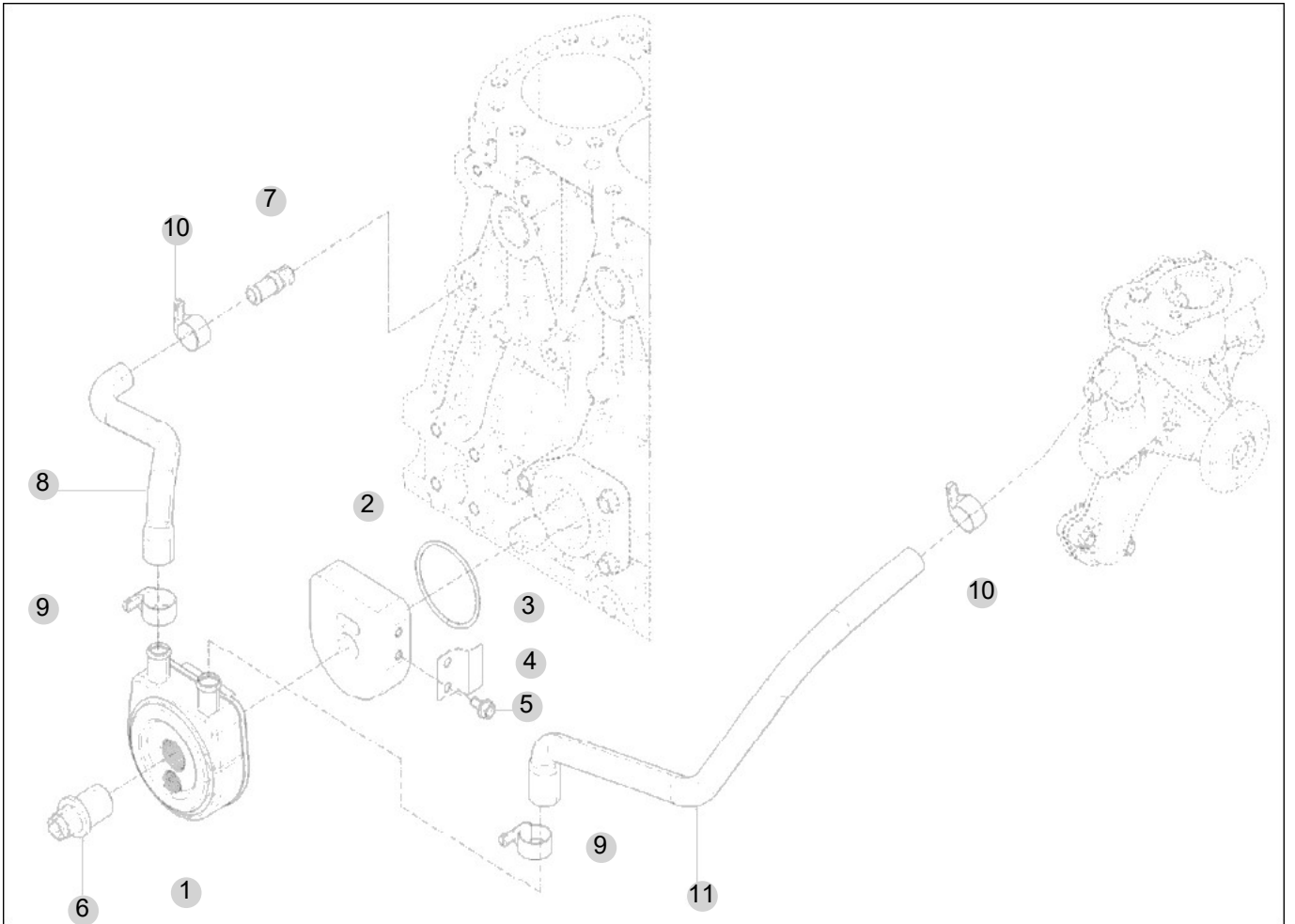
FIG 124

OIL COOLER

년/월
Year/Month

T475SHEU

2022-12



NOTE

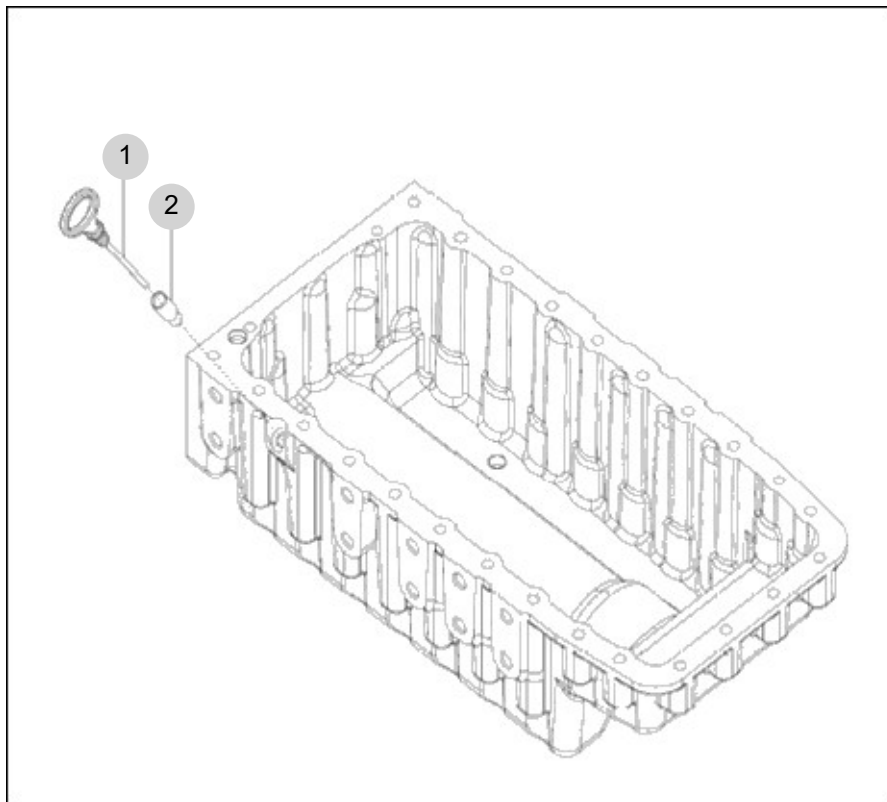
FIG 125

OIL GAUGUE

년/월
Year/Month

T475SHEU

2022-12



NOTE

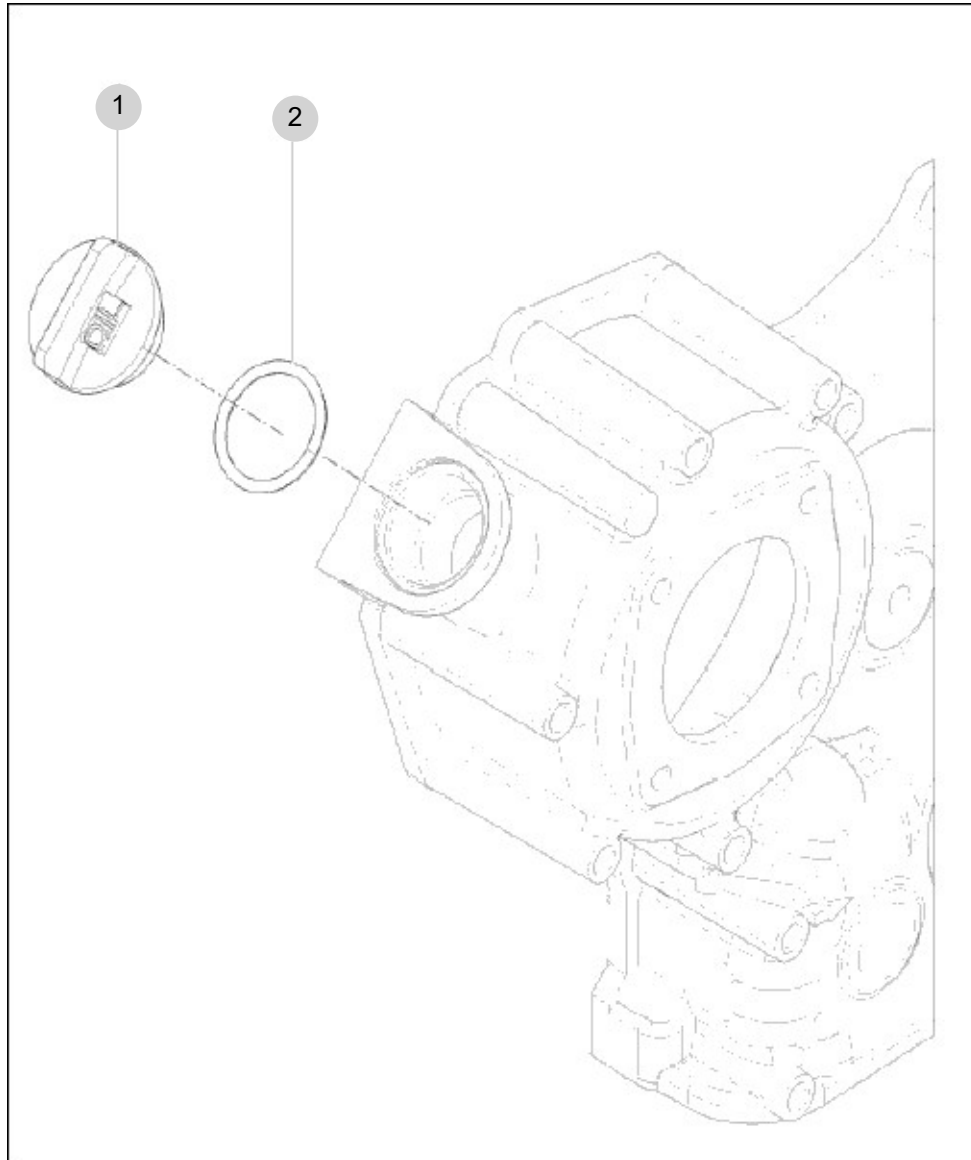
FIG 126

T475SHEU

OIL FILLER CAP

년/월
Year/Month

2022-12



NOTE

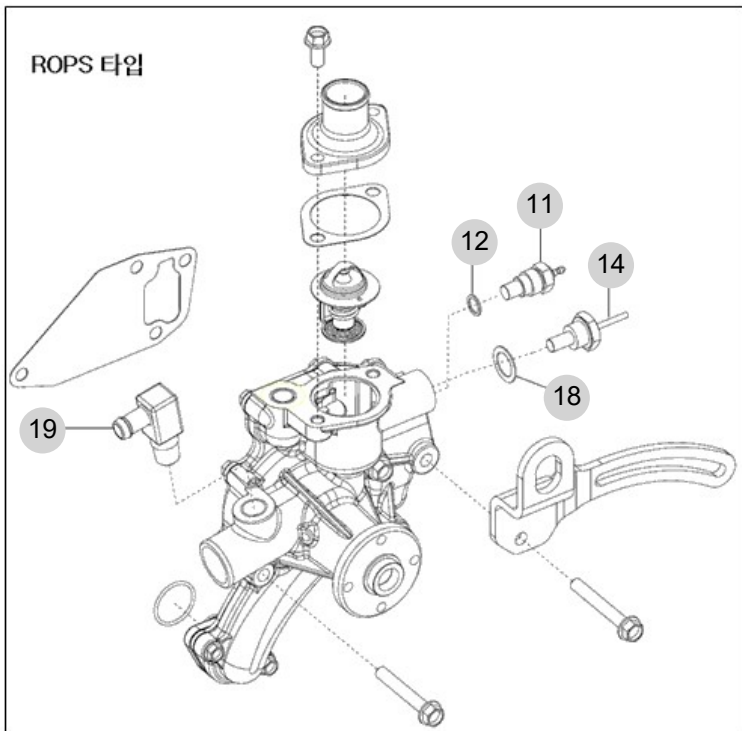
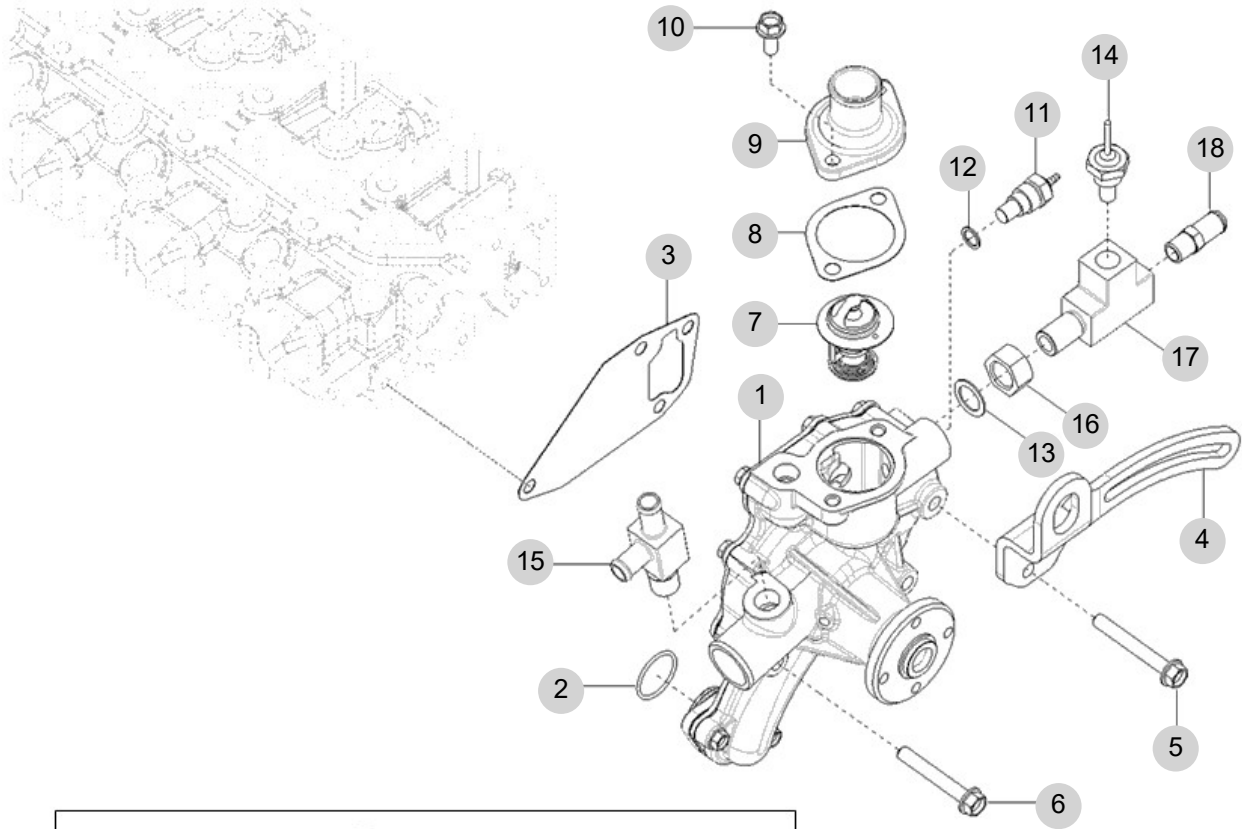
FIG 127

COOLING WATER PUMP

년/월
Year/Month

T475SHEU

2022-12



NOTE

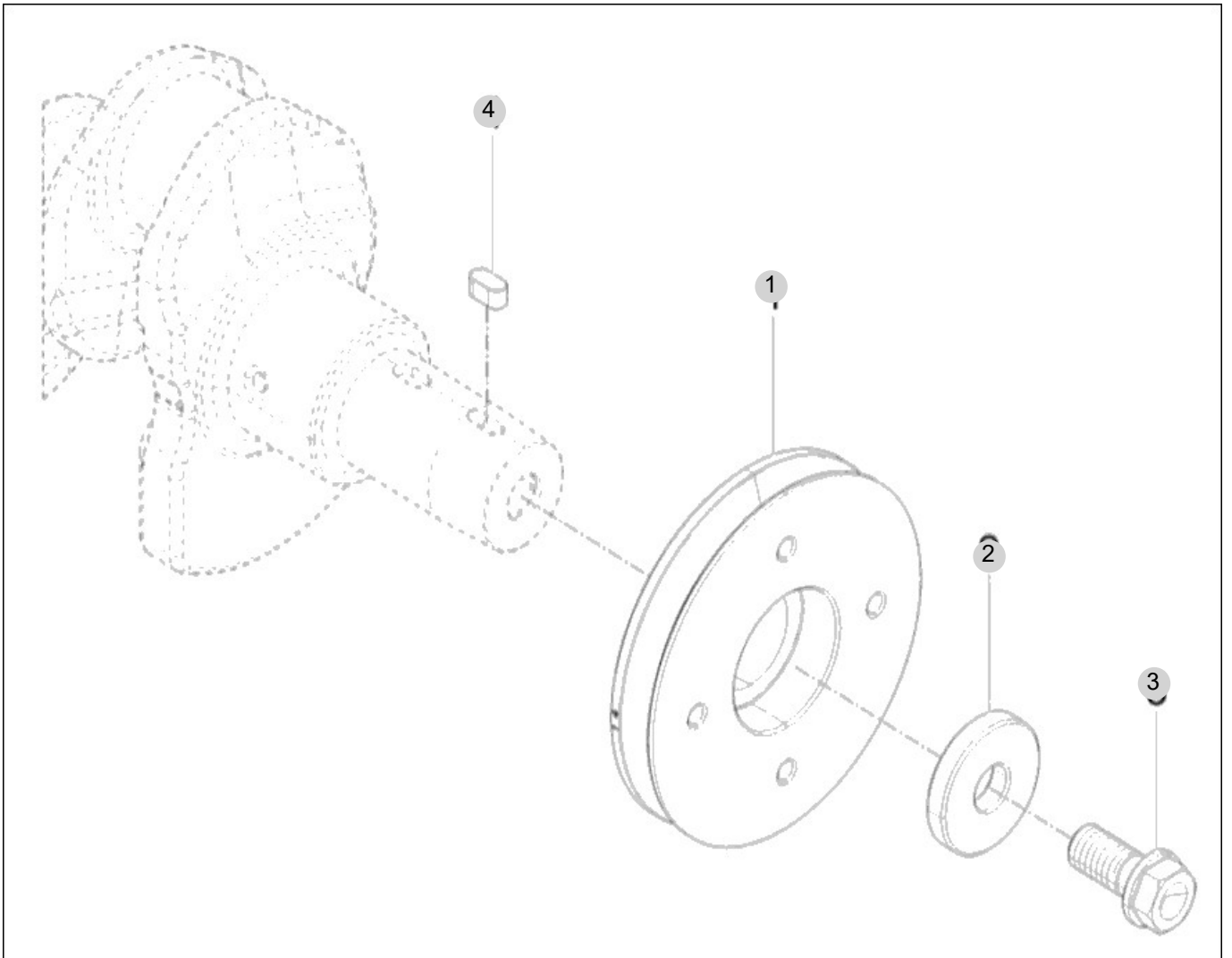
FIG 128

T475SHEU

CRANK SHAFT PULLEY

년/월
Year/Month

2022-12



NOTE

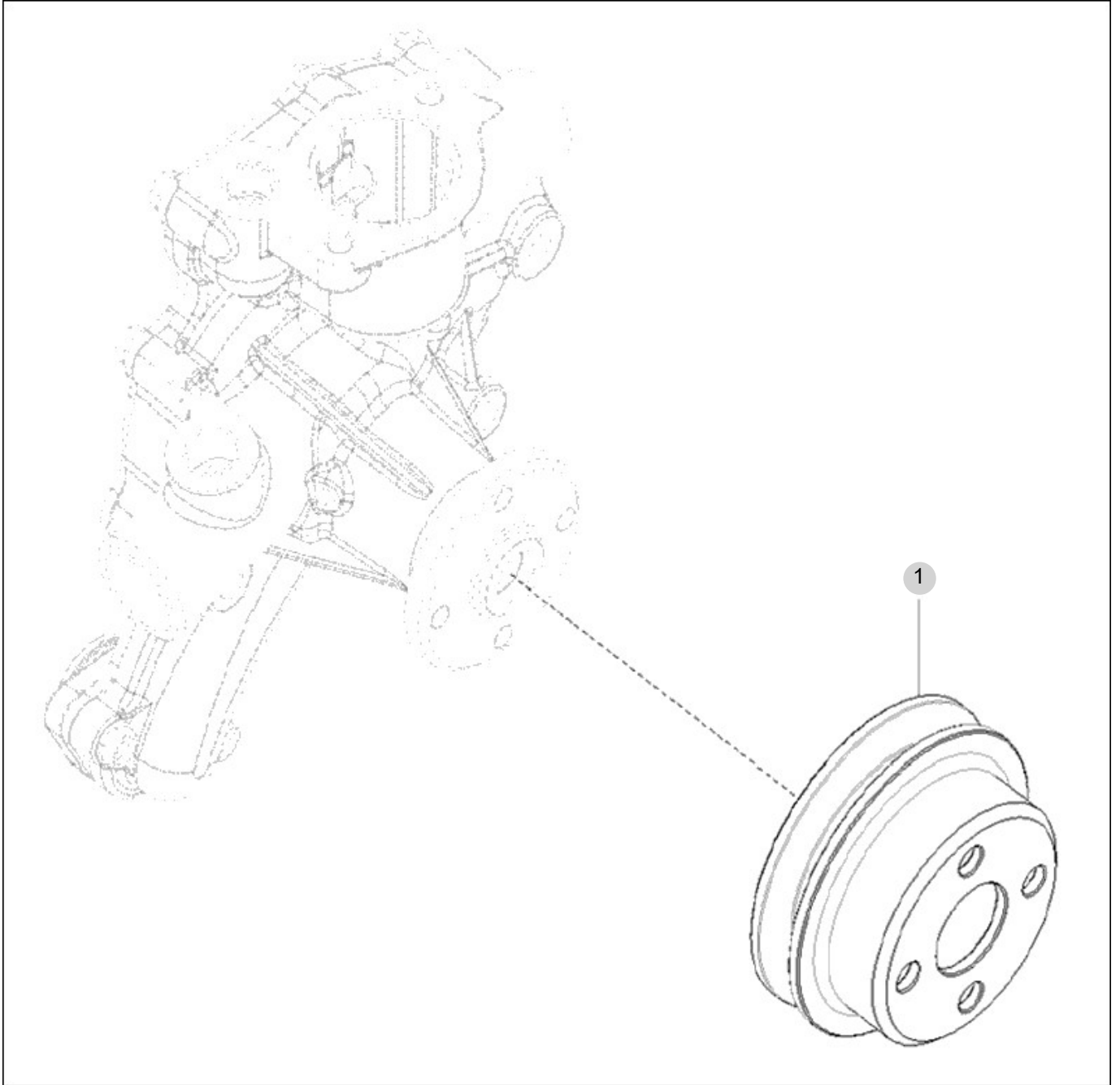
FIG 129

V-PULLEY

년/월
Year/Month

T475SHEU

2022-12



NOTE

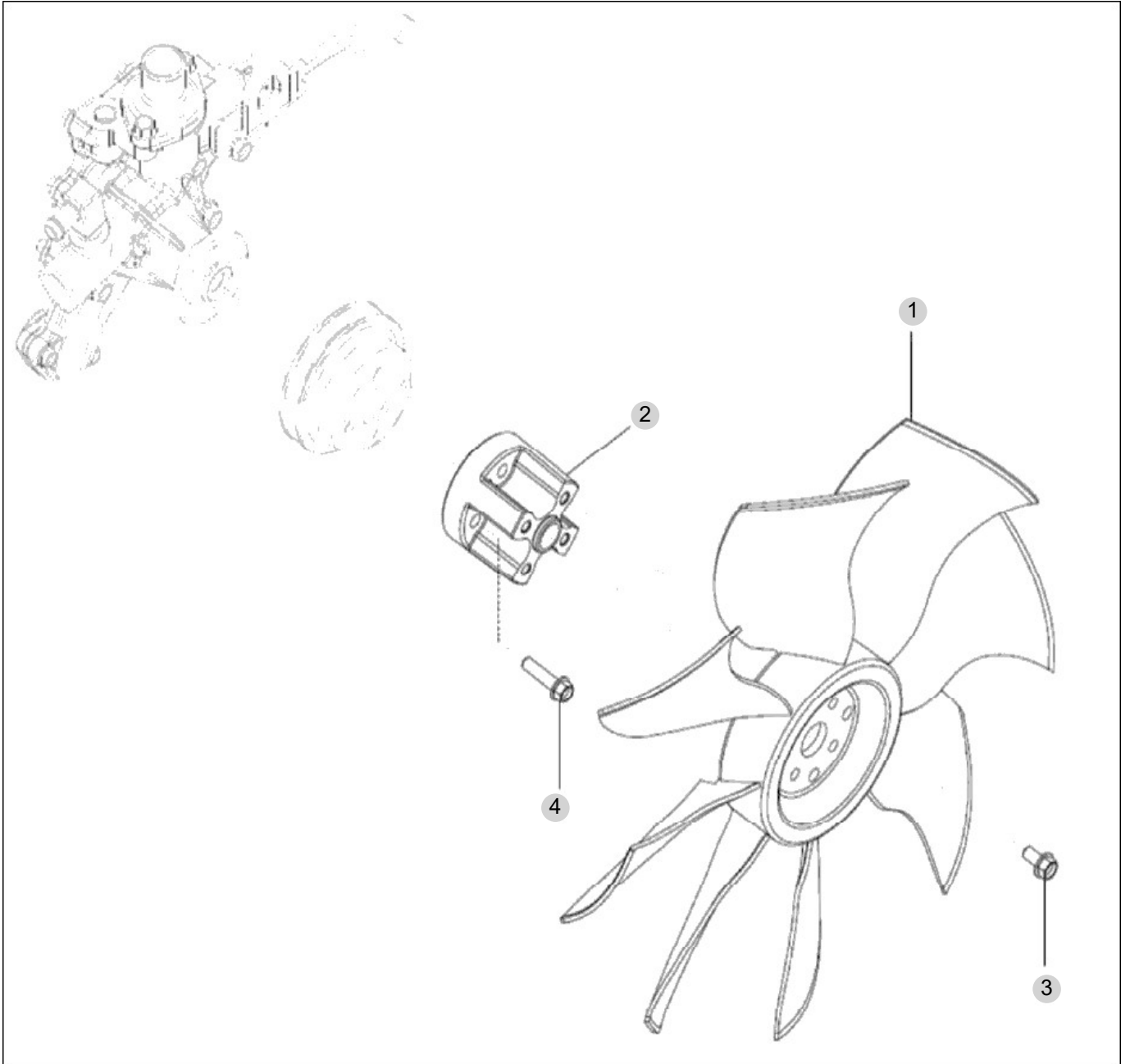
FIG 130

COOLING FAN

년/월
Year/Month

T475SHEU

2022-12



NOTE

FIG 130 T475SHEU		COOLING FAN						년/월 Year/Month
								2022-12
KEY NO	PART NO	DESCRIPTION	SPEC	QTY	REPAIR	EFFECTIVE DATE	REMARKS	
130	1	EA00005482A	냉각팬	Ø422		1		
130	2	EA00004968A	SPACER	60 mm		1		
130	3	26106-080162	육각플랜지볼트			4		
130	4	26106-080322	육각플랜지볼트			4		
NOTE								

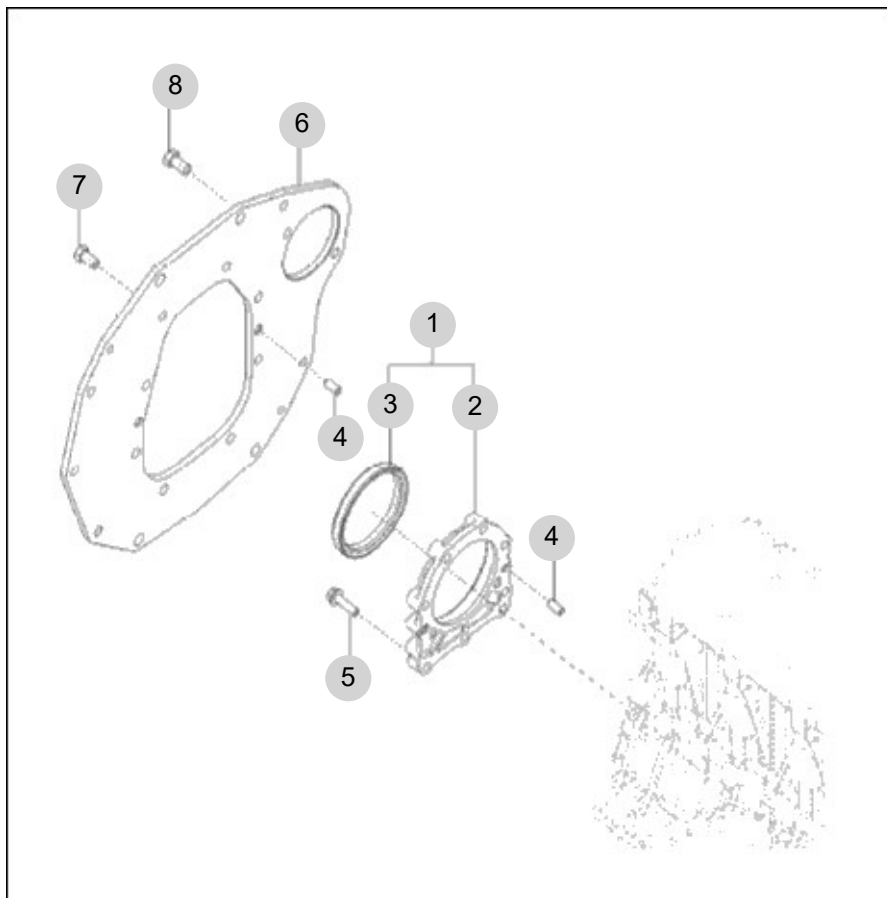
FIG 131

T475SHEU

FLYWHEEL HOUSING

년/월
Year/Month

2022-12



NOTE

FIG 131		FLYWHEEL HOUSING					년/월 Year/Month	
T475SHEU								2022-12
KEY NO	PART NO	DESCRIPTION	SPEC	QTY	REPAIR	EFFECTIVE DATE	REMARKS	
131	1	HRC0300800A	오일씰하우징 AS(HRA0301401B2단품으로 주문변경)	1				
131	2	HRA0301401B	오일실하우징(HRA0301401B3)	1				
131	3	HRC0300802A	OIL SEAL(F)	1				
131	4	22312-080160	핀(22312080160-로 주문변경)	4				
131	5	26106-080302	육각플랜지볼트	9				
131	6	EA00005476A	MOUNTING FLANGE	1				
131	7	26116-100202	HEX. BOLT	8				
131	8	26116-120302	HEX. BOLT	4				
NOTE								

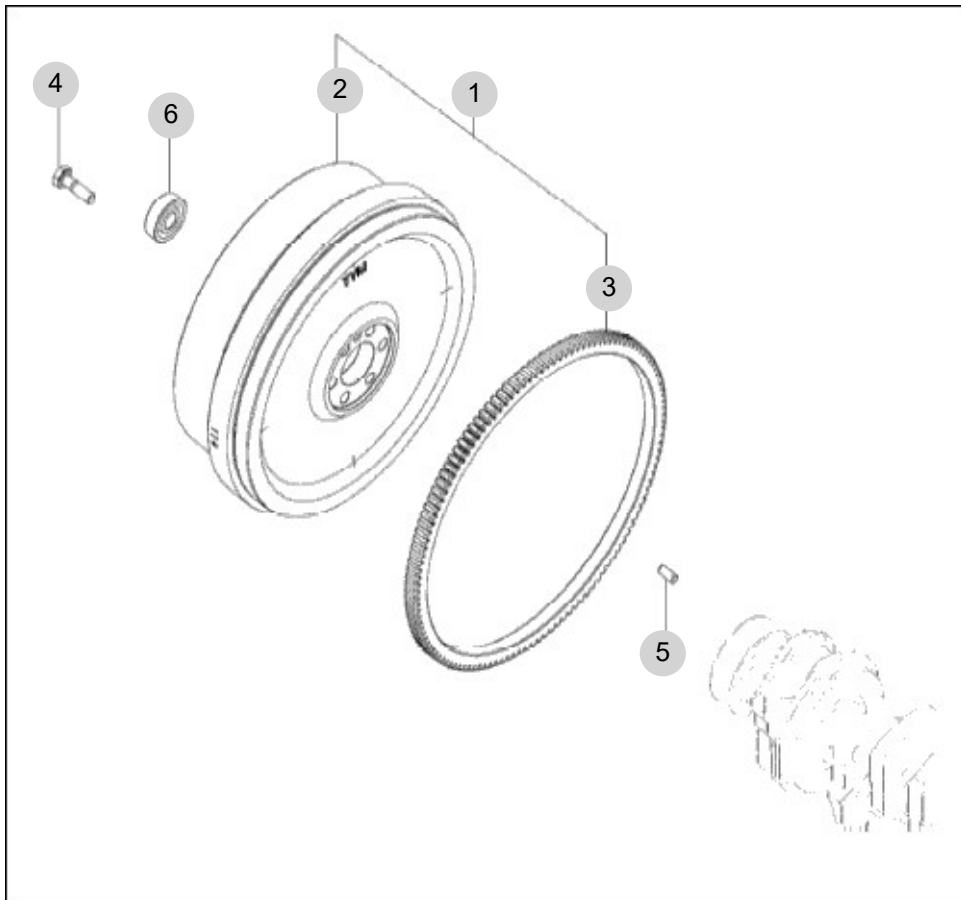
FIG 132

T475SHEU

FLYWHEEL

년/월
Year/Month

2022-12



NOTE

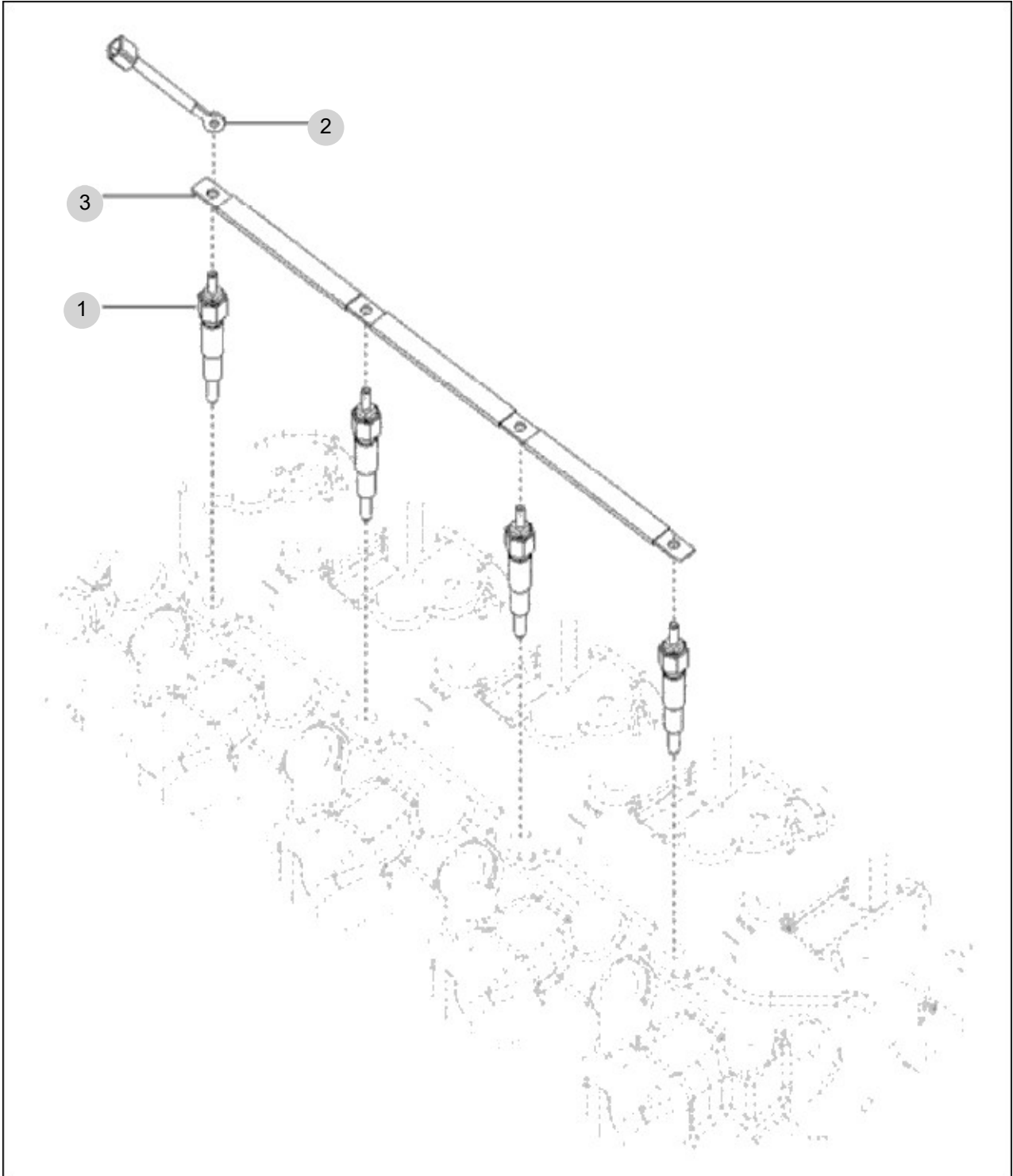
FIG 133

T475SHEU

GLOW PLUG ASS'Y OPTION

년/월
Year/Month

2022-12



NOTE

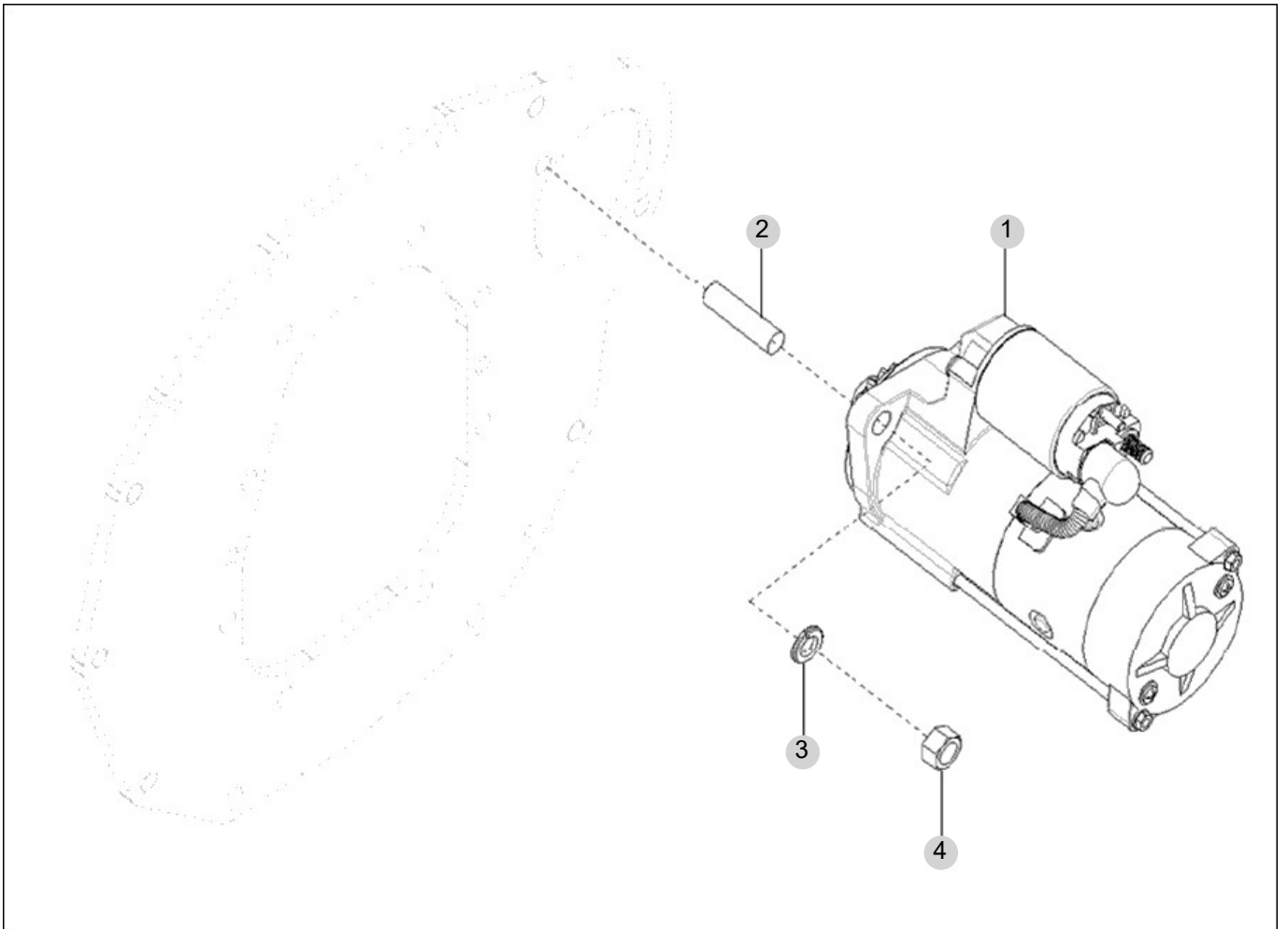
FIG 134

STARTING MOTOR

년/월
Year/Month

T475SHEU

2022-12



NOTE

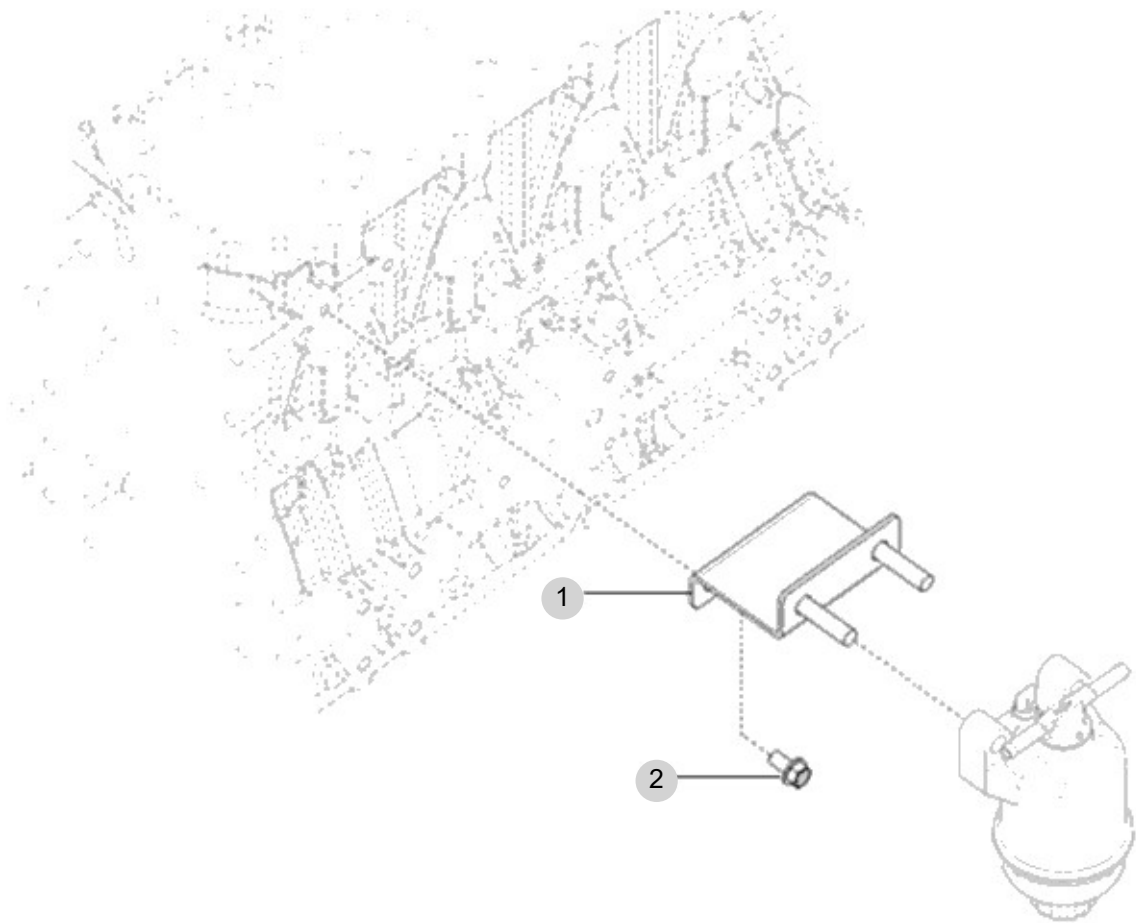
FIG 135

T475SHEU

FUEL FILTER BRACKET ASS'Y

년/월
Year/Month

2022-12



NOTE

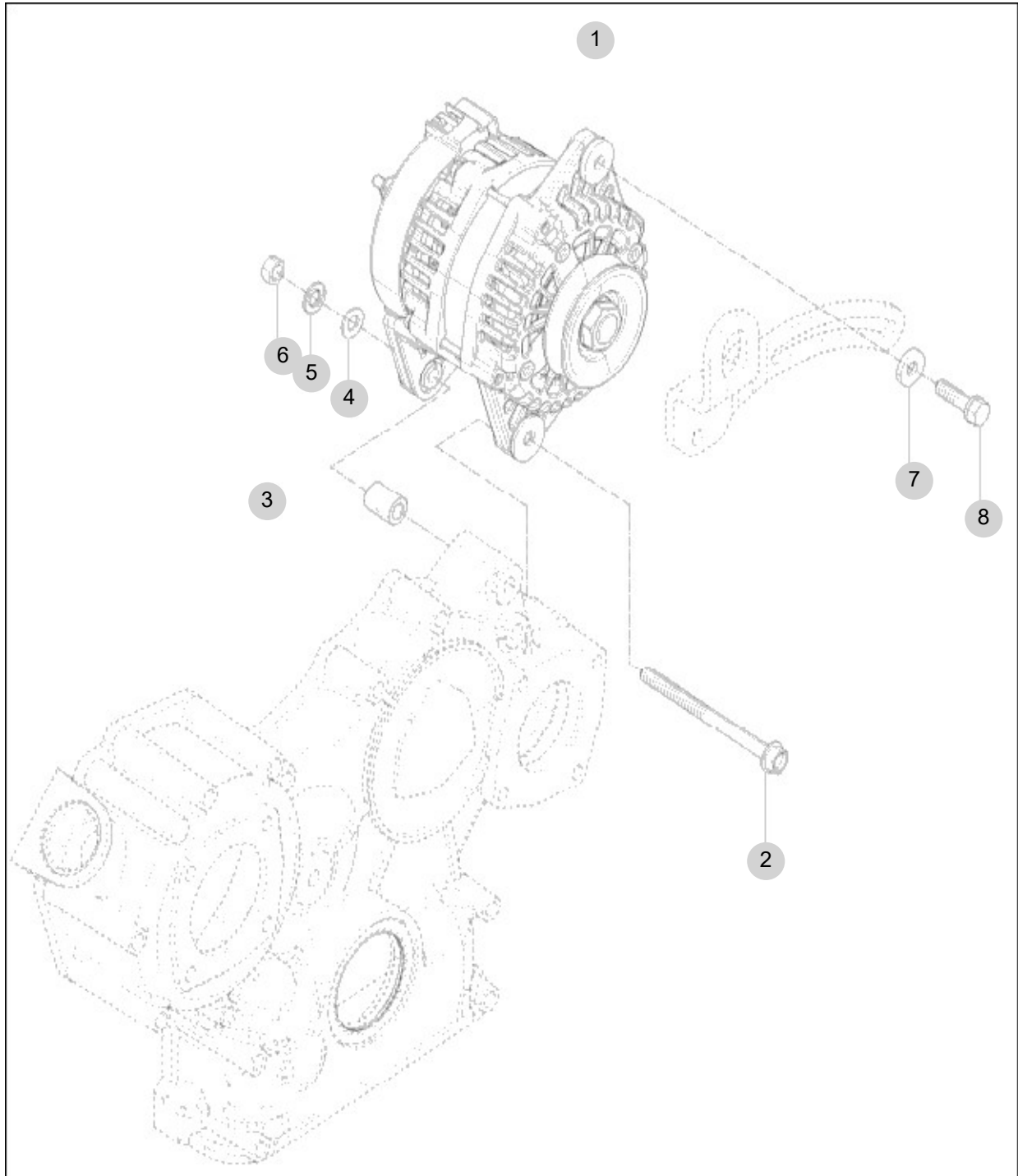
FIG 136

T475SHEU

ALTERNATOR

년/월
Year/Month

2022-12



NOTE

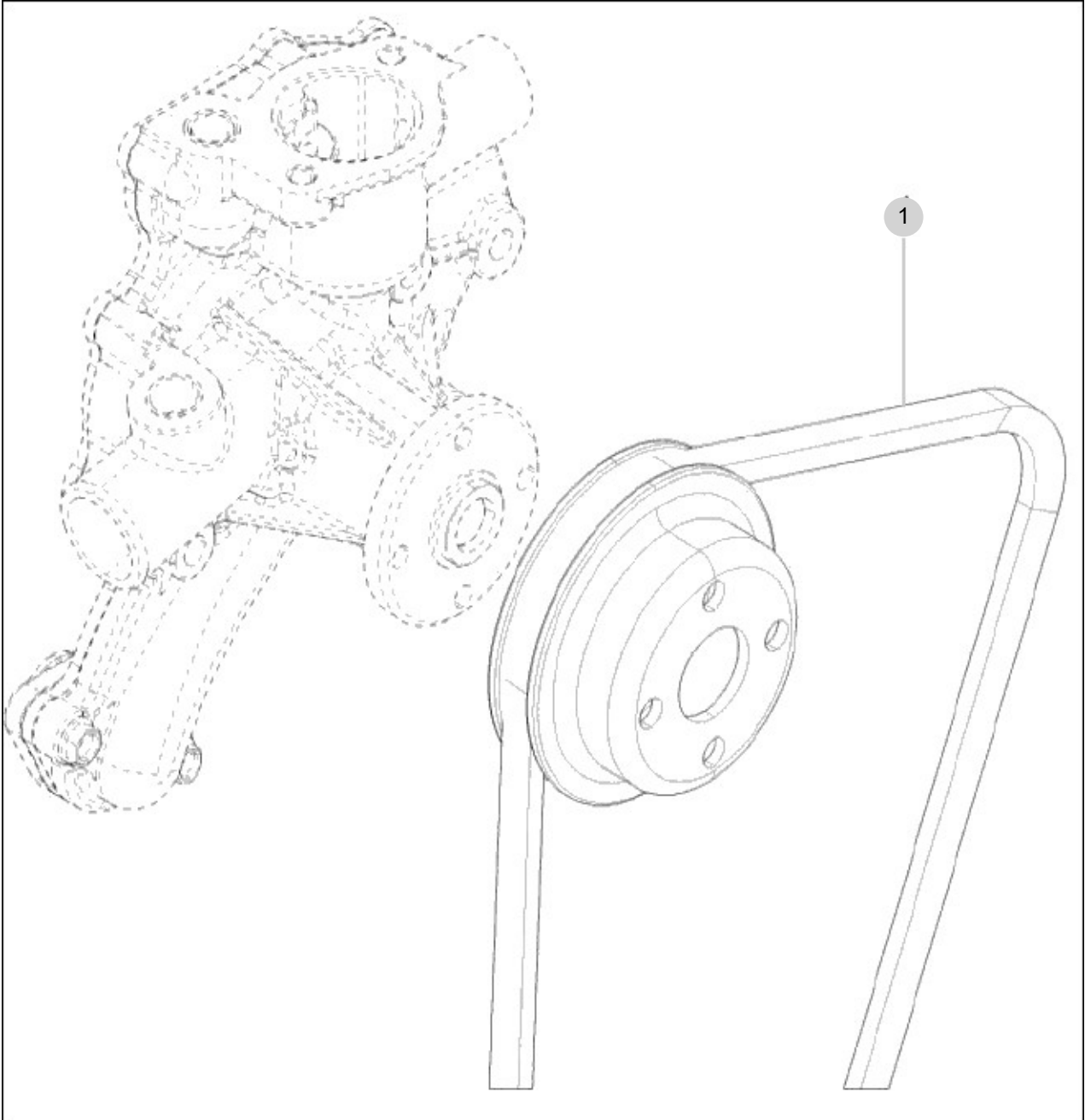
FIG 137

T475SHEU

V-BELT

년/월
Year/Month

2022-12



NOTE

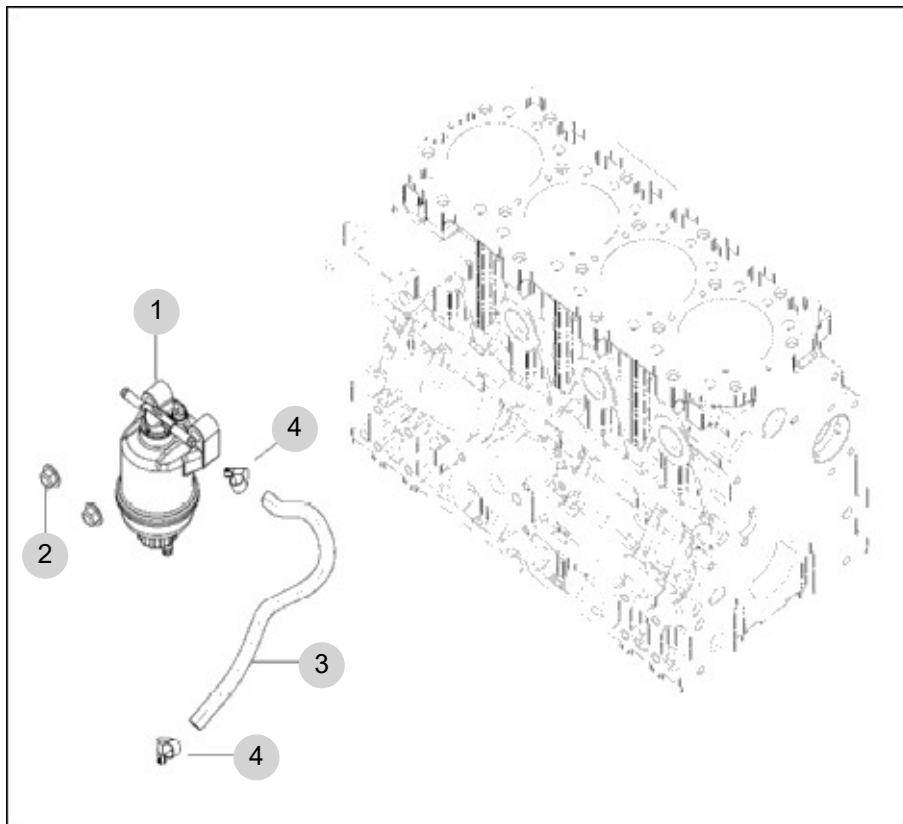
FIG 138

T475SHEU

FUEL FILTER

년/월
Year/Month

2022-12



NOTE

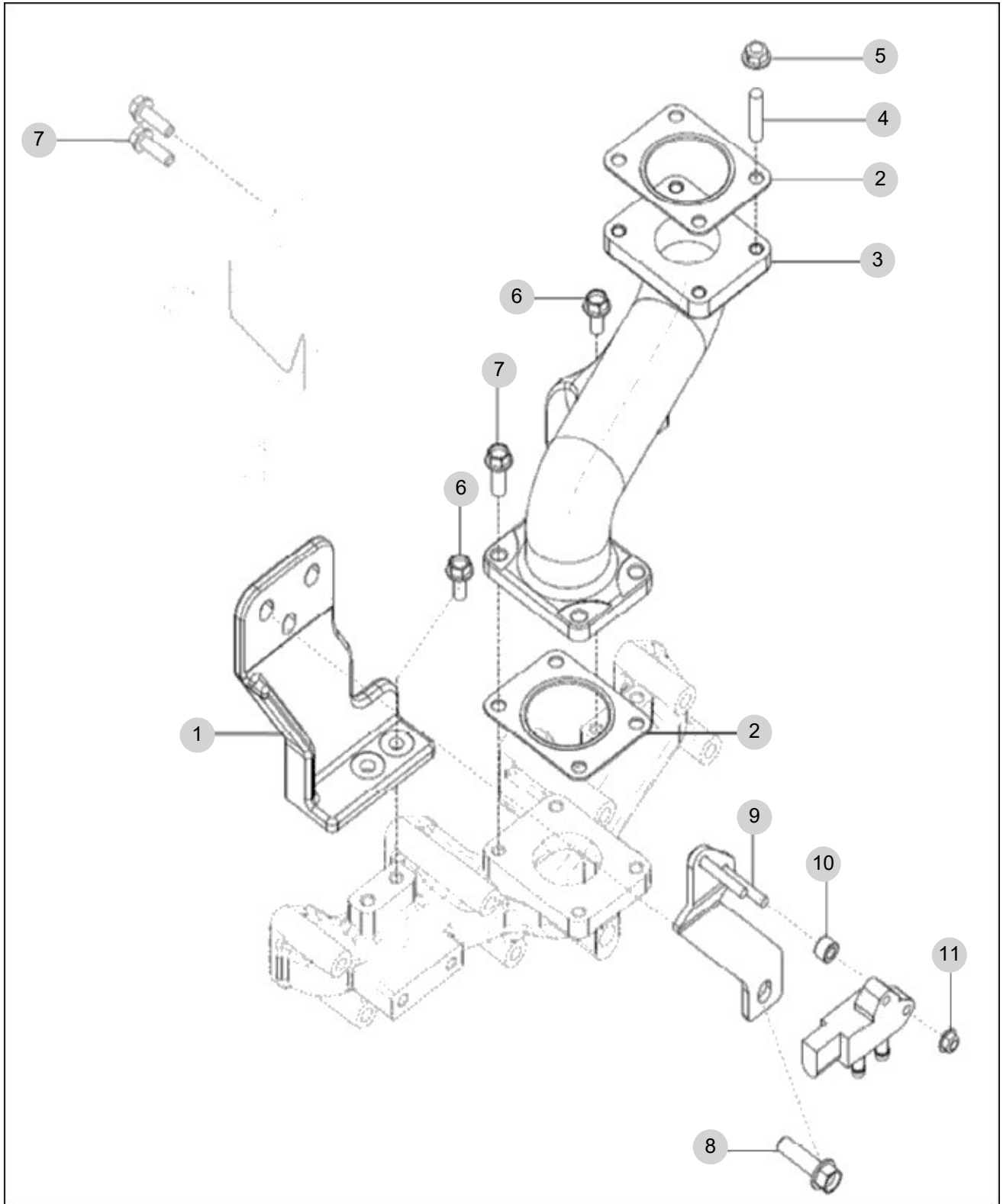
FIG 139

DPF SUPPORT

년/월
Year/Month

T475SHEU

2022-12



NOTE

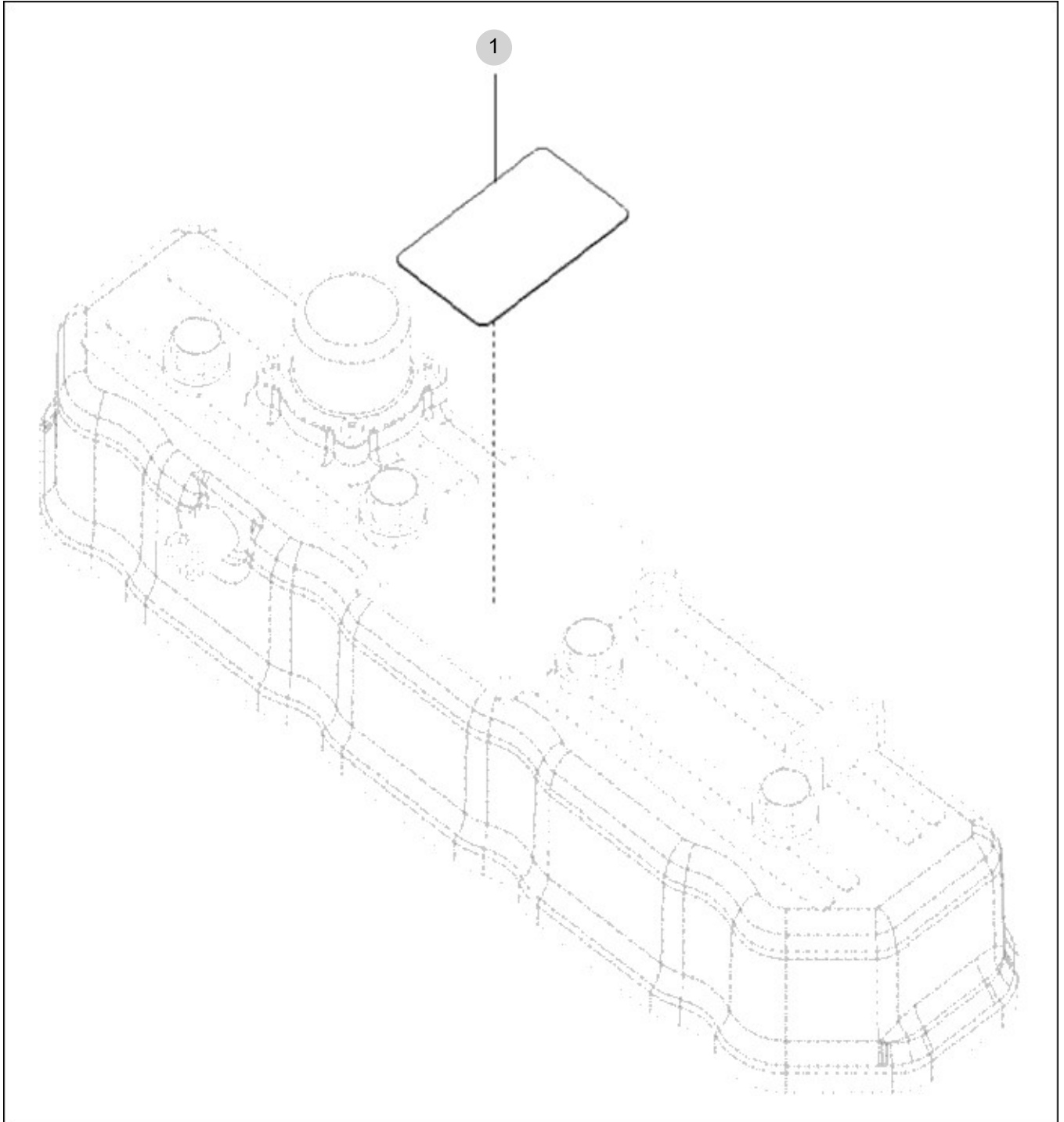
FIG 140

T475SHEU

DATAPLATE

년/월
Year/Month

2022-12



NOTE

FIG 140 T475SHEU		DATAPLATE					년/월 Year/Month	
							2022-12	
KEY NO	PART NO	DESCRIPTION	SPEC	QTY	REPAIR	EFFECTIVE DATE		
140	1	EA00003476C	DATAPLATE			1		
NOTE								

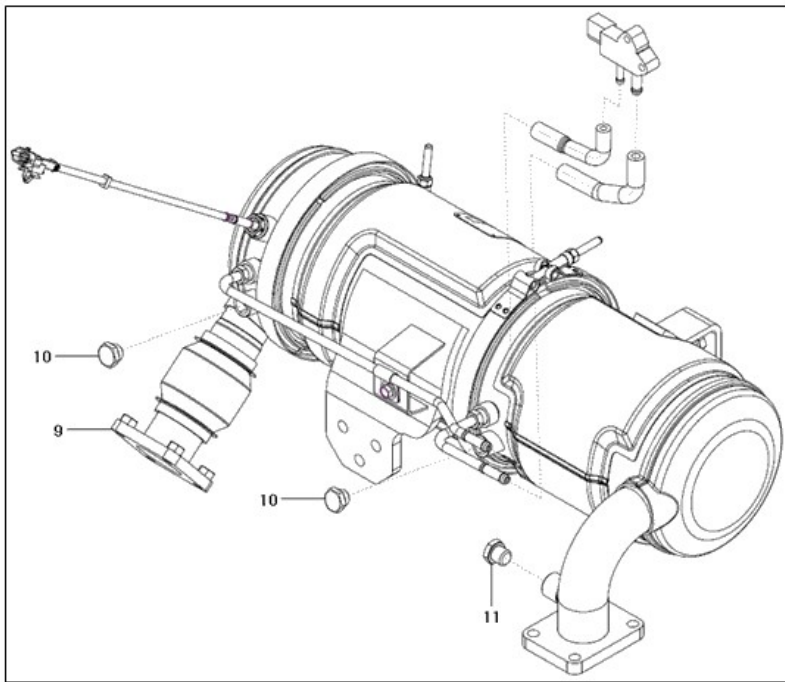
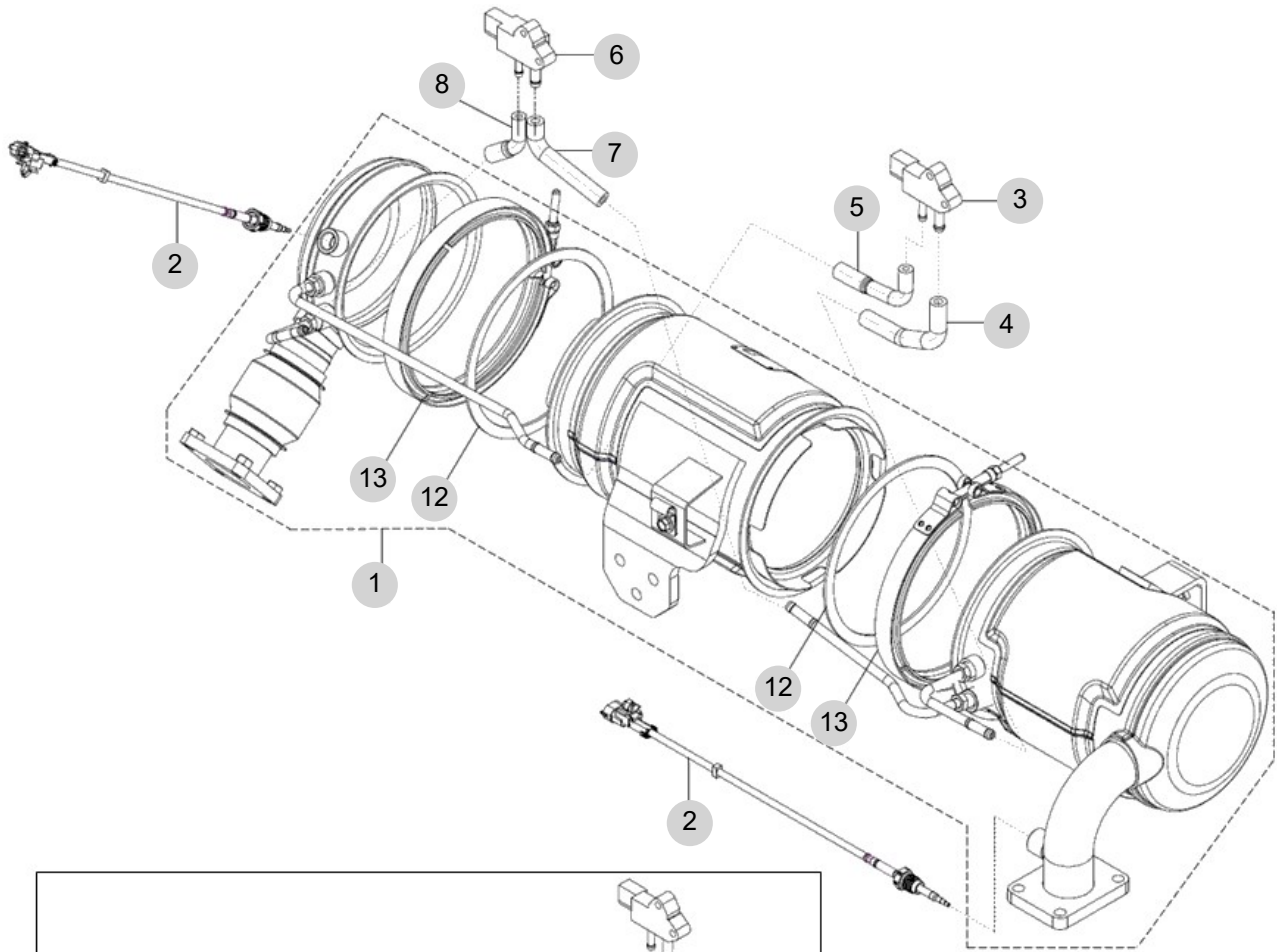
FIG 142

T475SHEU

DPF ASS'Y

년/월
Year/Month

2022-12



NOTE

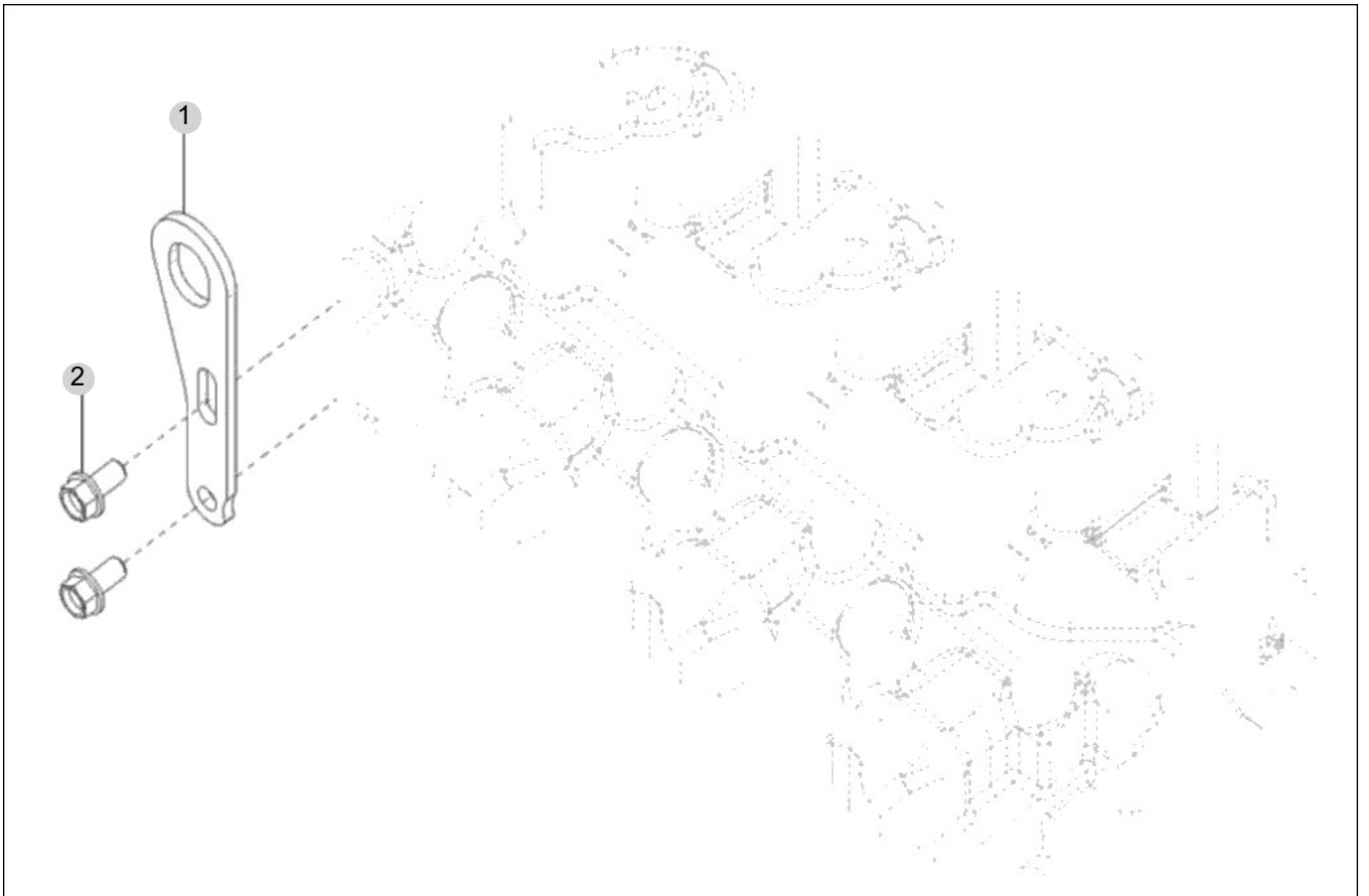
FIG 143

T475SHEU

LIFT ASS'Y

년/월
Year/Month

2022-12



NOTE

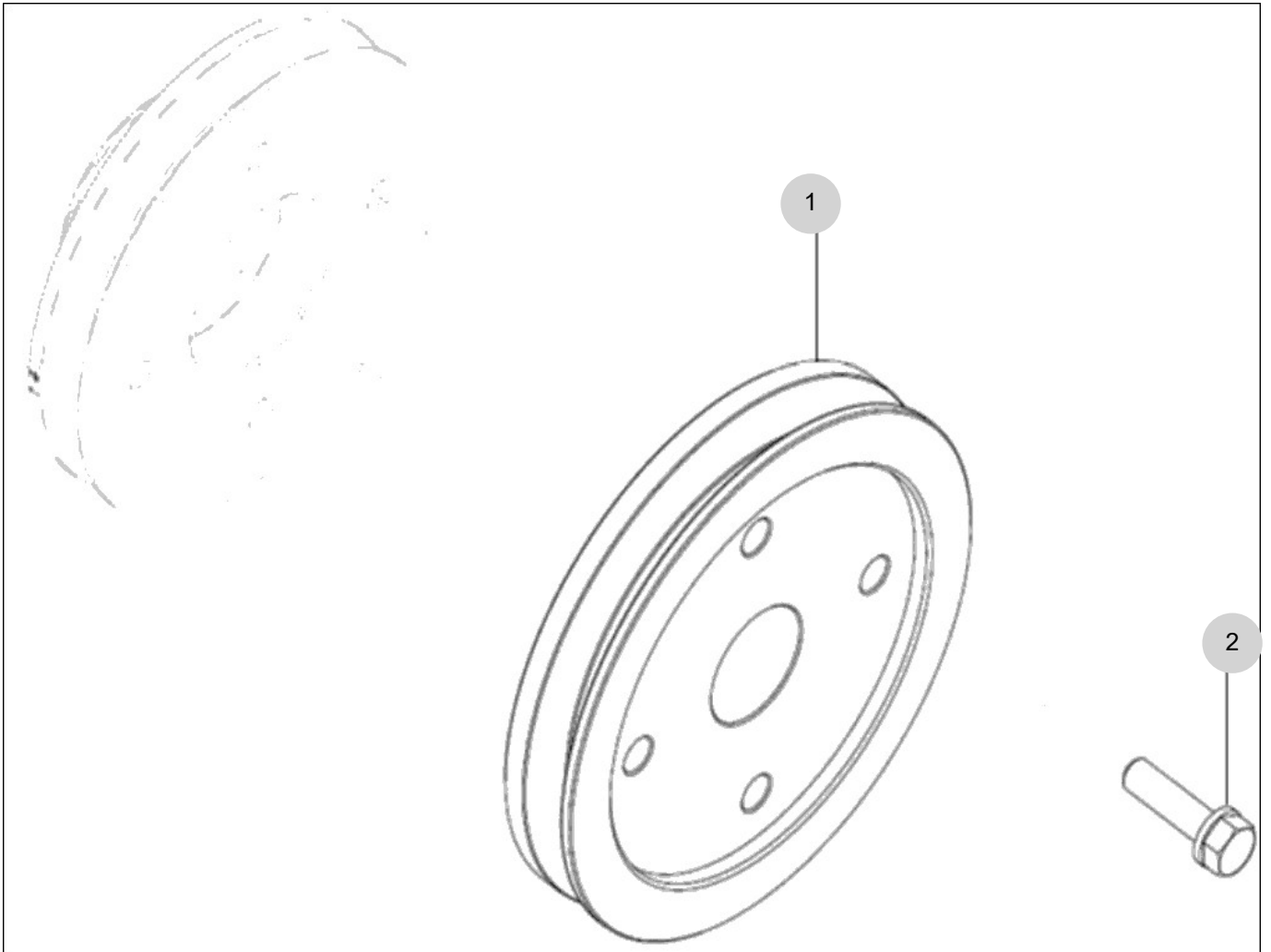
FIG 144

COMP . DRIVE PULLEY ASS'Y OPTION

년/월
Year/Month

T475SHEU

2022-12



NOTE

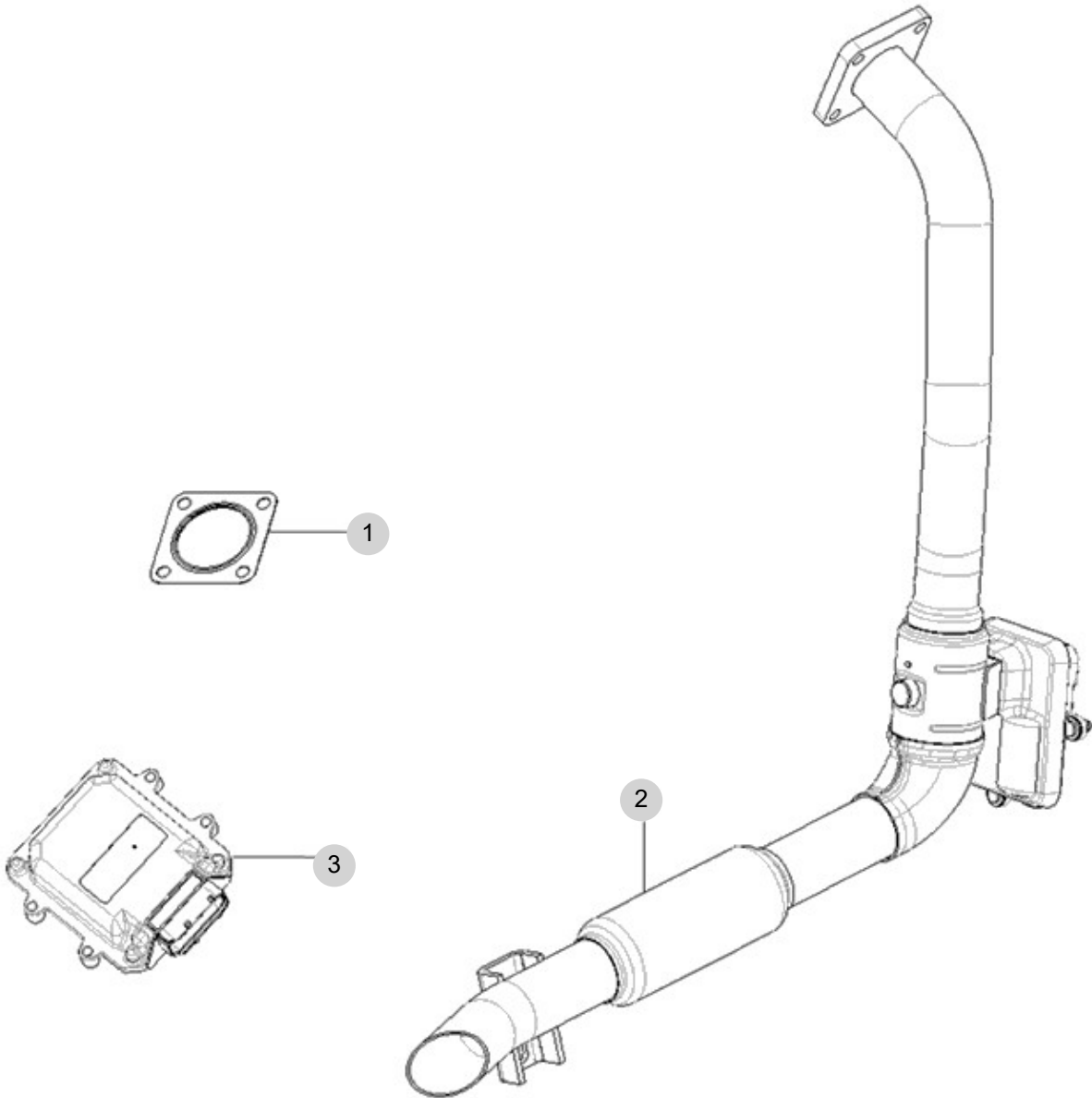
FIG 145

T475SHEU

LOOSED PARTS

년/월
Year/Month

2022-12



NOTE

2. 엔진보기품 PART NO. T2

FIG 201 AIR CLEANER	99
FIG 202 RADIATOR	101
FIG 203 MUFFLER	103
FIG 204 FUEL TANK & FILTER	105
FIG 205 OIL COOLER	107

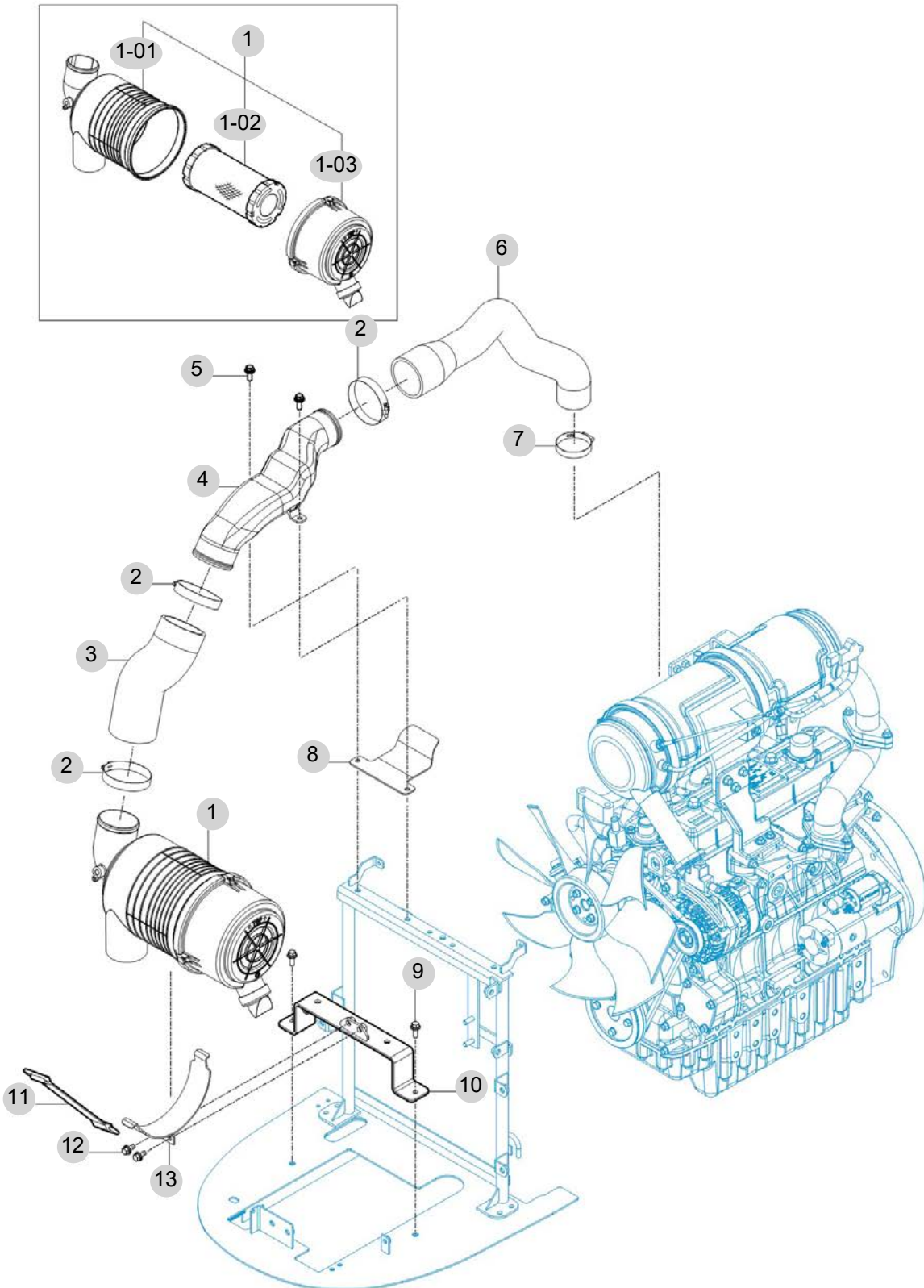
FIG 201

AIR CLEANER

년/월
Year/Month

2022-12

T475SHEU



NOTE

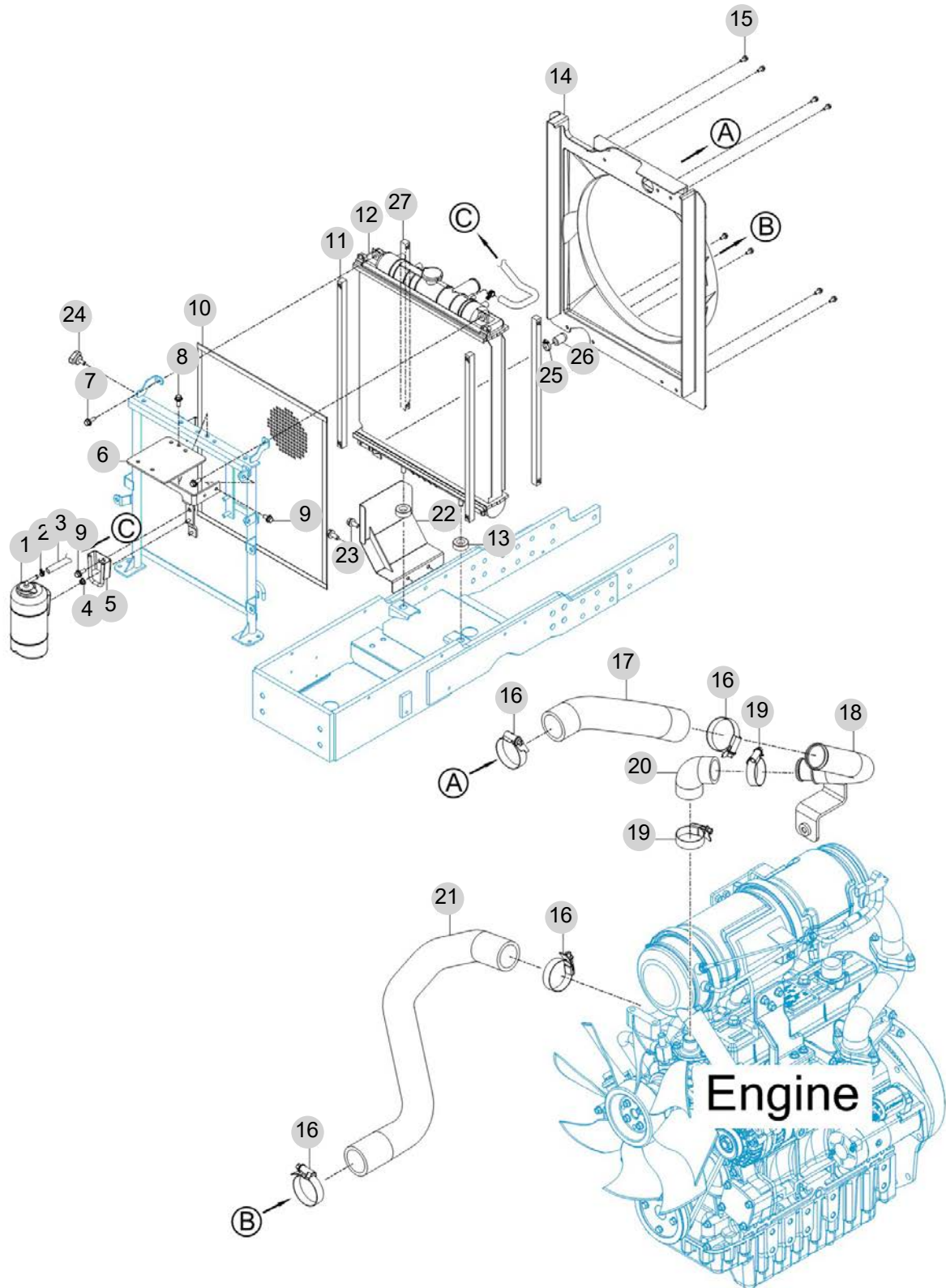
FIG 202

RADIATOR

년/월
Year/Month

2022-12

T475SHEU



NOTE

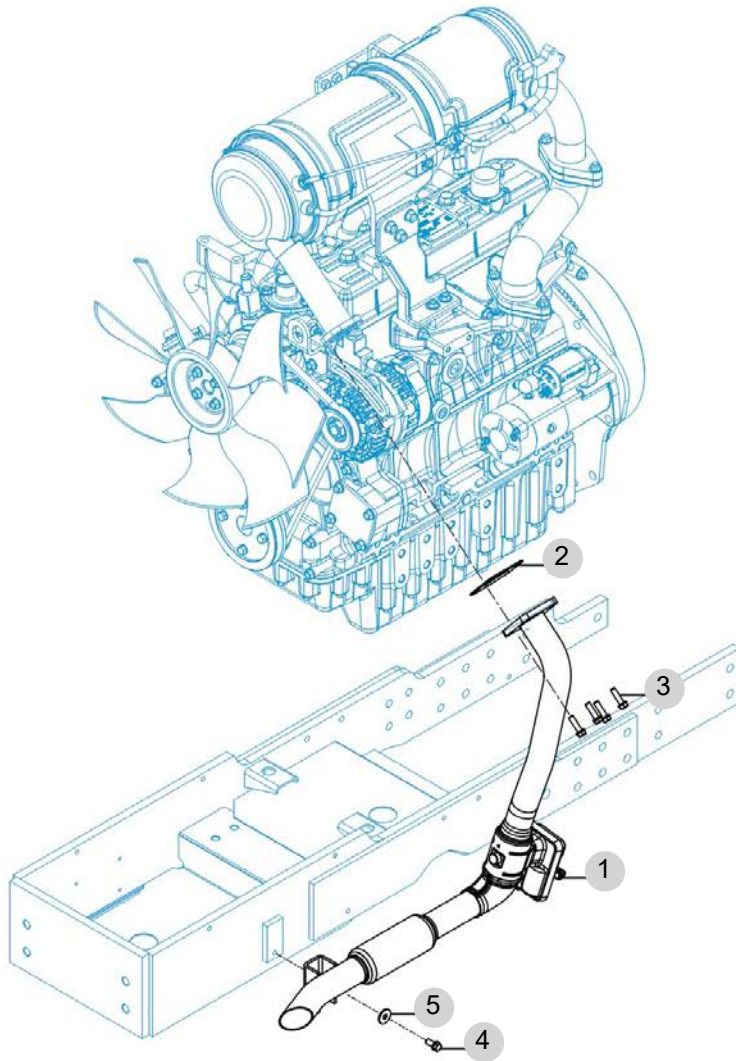
FIG 203

MUFFLER

년/월
Year/Month

2022-12

T475SHEU



NOTE

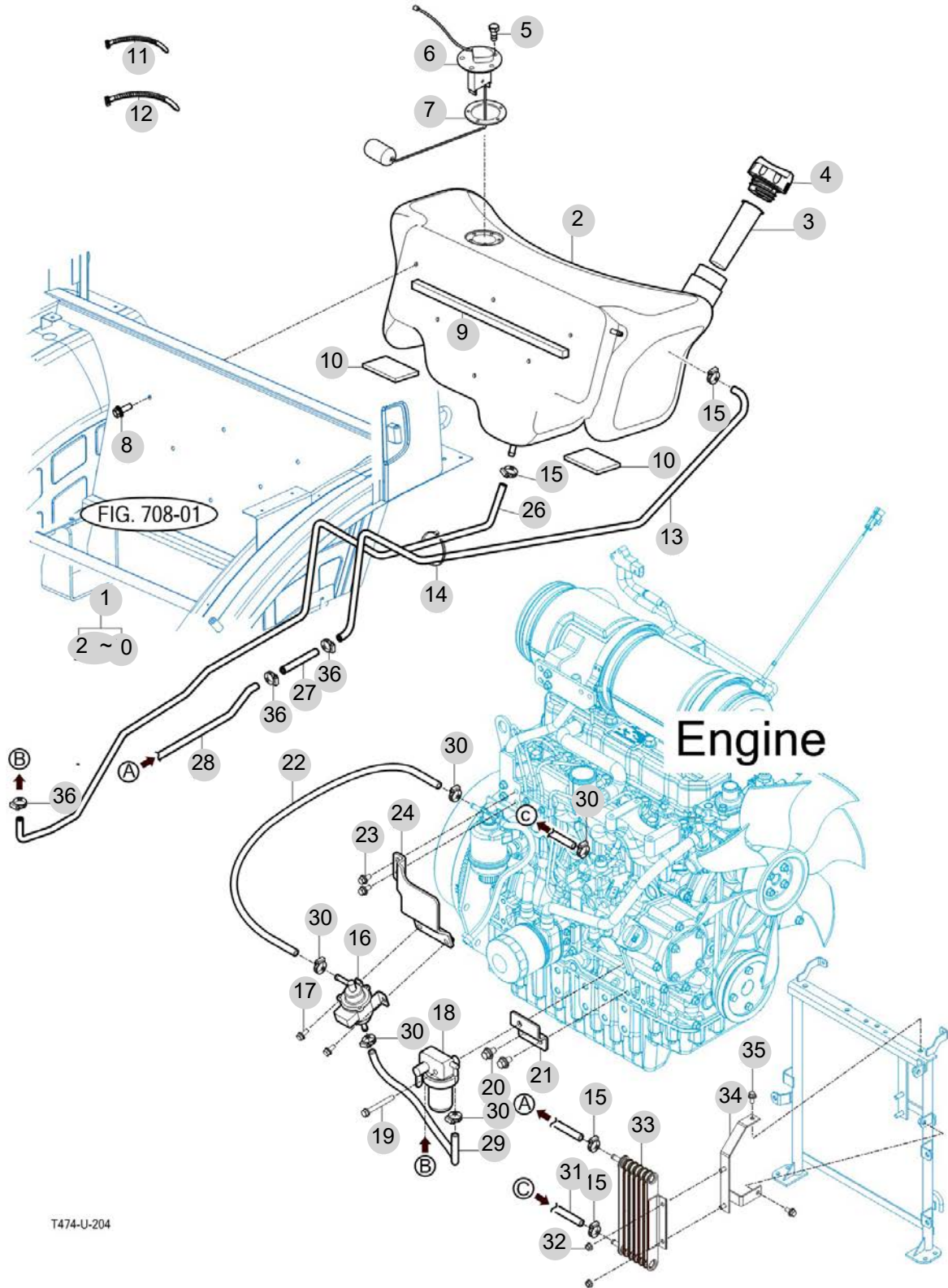
FIG 204

FUEL TANK & FILTER

년/월
Year/Month

2022-12

T475SHEU



T474-U-204

NOTE

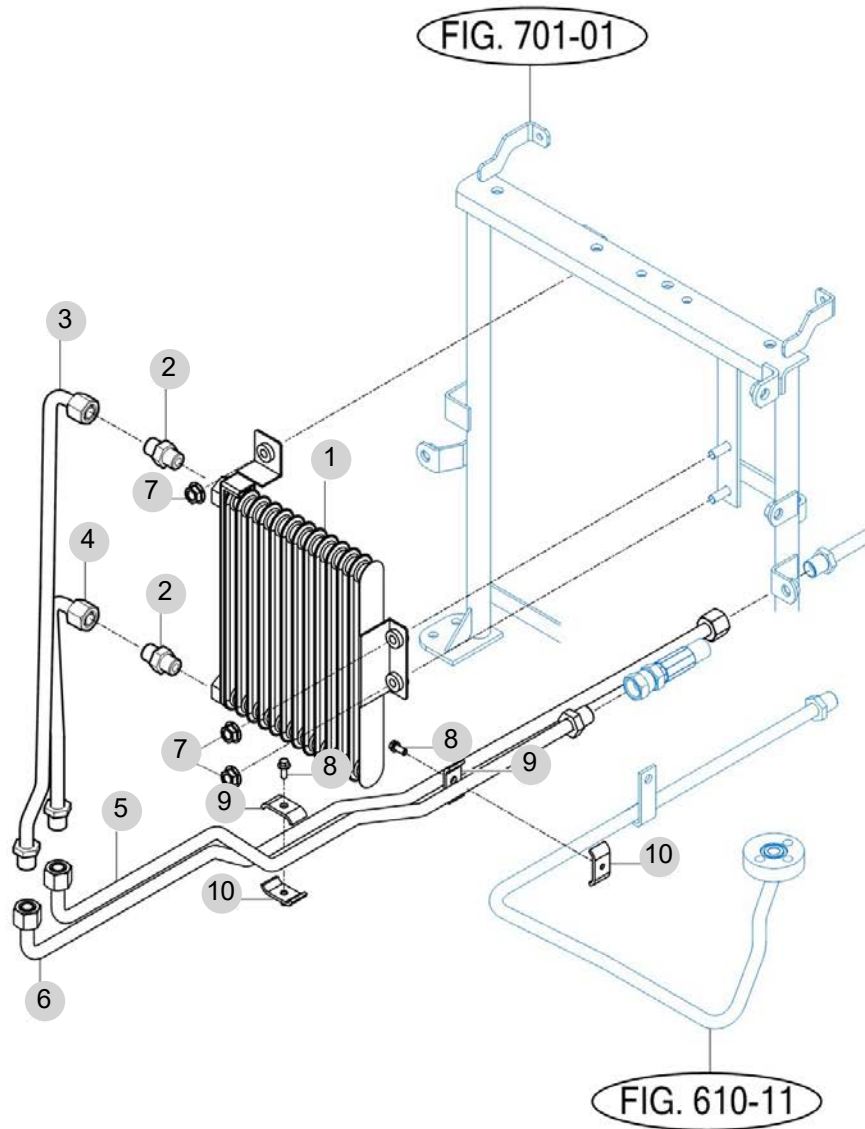
FIG 205

T475SHEU

OIL COOLER

년/월
Year/Month

2022-12



NOTE

3. 클러치/브레이크/스티어링 PART NO. T3

FIG 302 FLYWHEEL & CLUTCH	110
FIG 303 BRAKE PEDAL	112
FIG 304 BRAKE	114
FIG 306 FRONT WHEEL MOUNTING	116
FIG 307 REAR WHEEL MOUNTING	118
FIG 308 STEERING WHEEL	120
FIG 309 STEERING VALVE & PARKING	122
FIG 310 STEERING CYLINDER	124

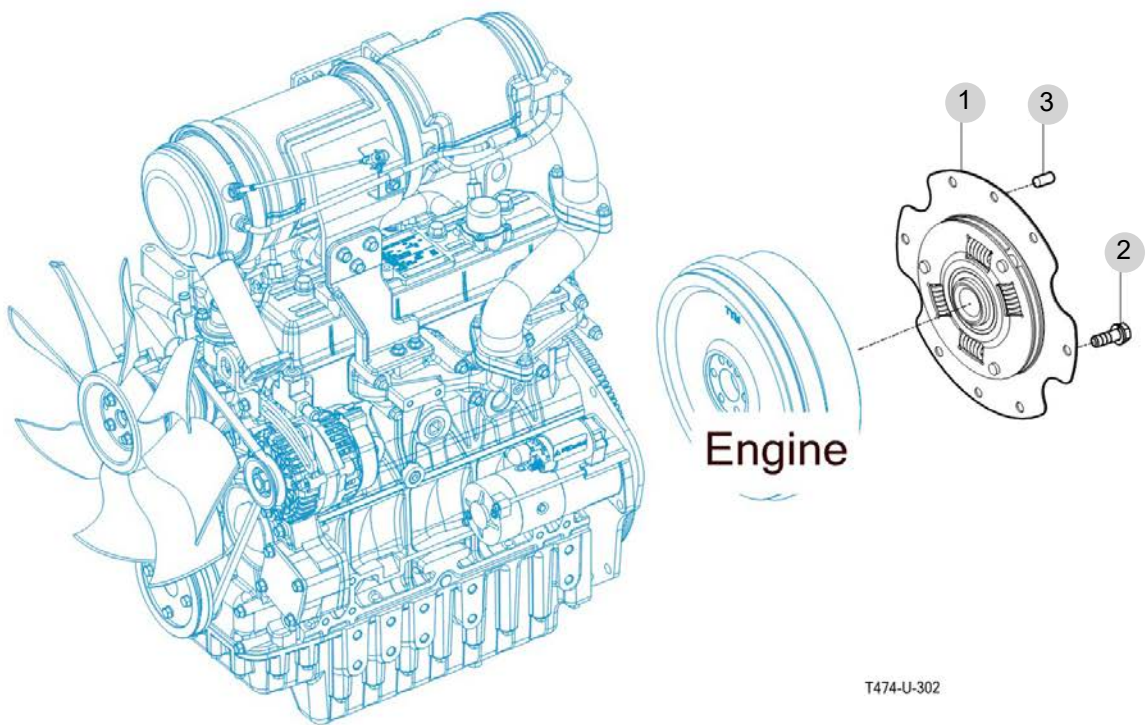
FIG 302

FLYWHEEL & CLUTCH

년/월
Year/Month

T475SHEU

2022-12



T474-U-302

NOTE

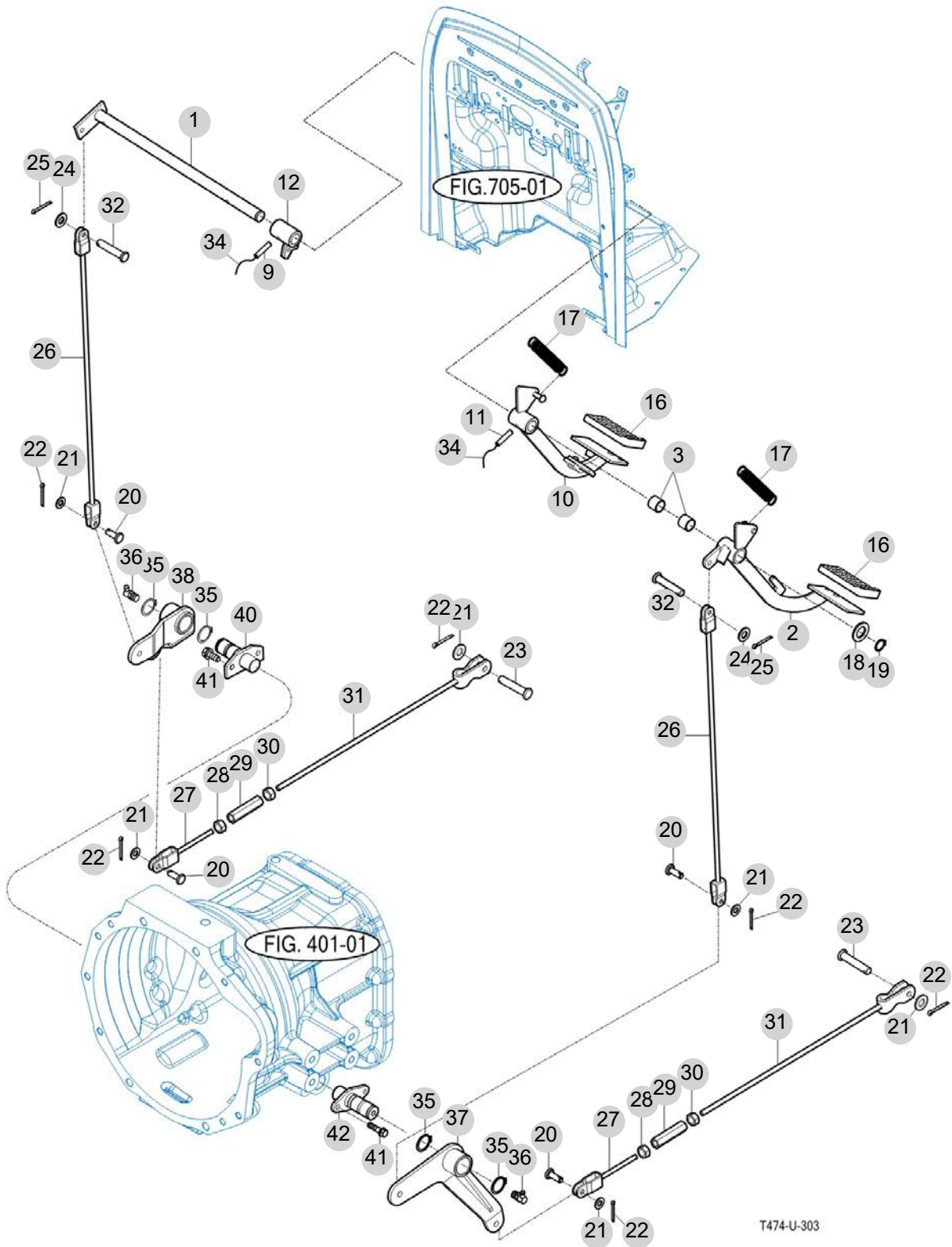
FIG 303

T475SHEU

BRAKE PEDAL

년/월
Year/Month

2022-12



T474-U-303

NOTE

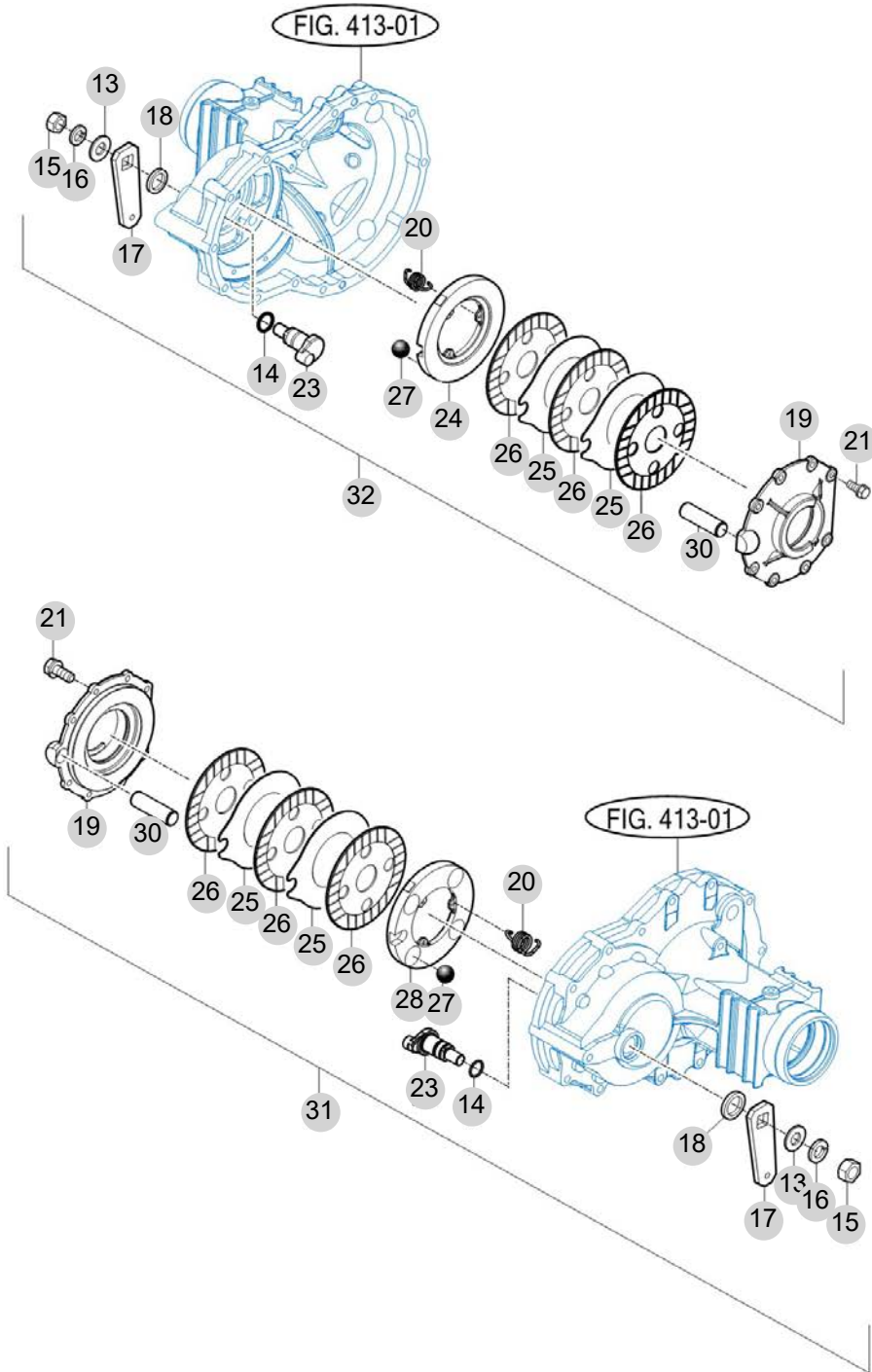
FIG 304

T475SHEU

BRAKE

년/월
Year/Month

2022-12



NOTE

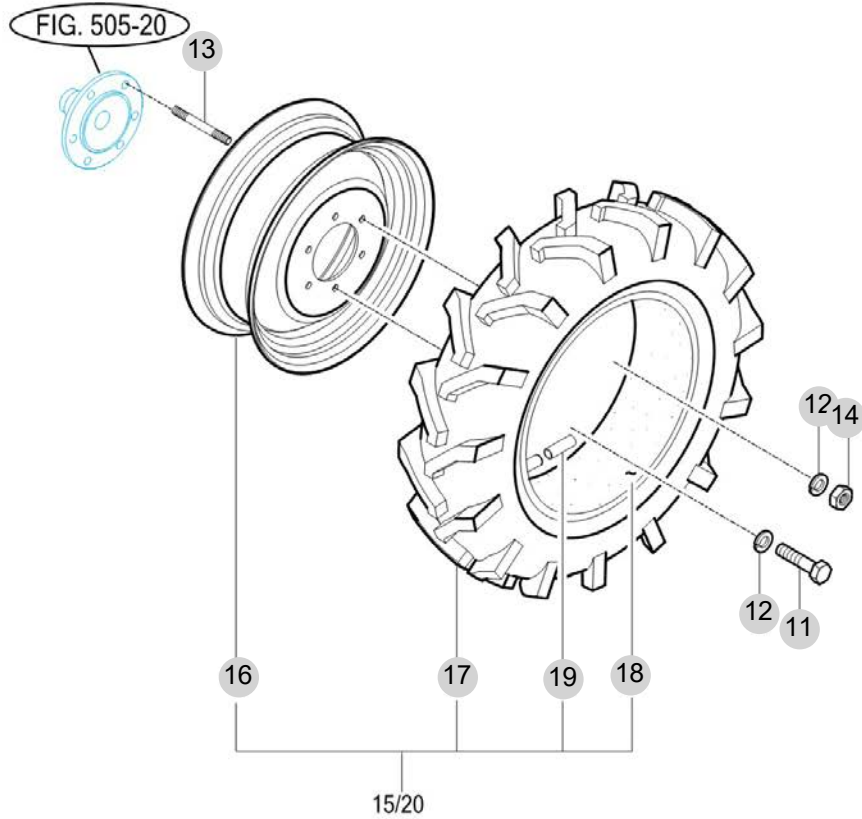
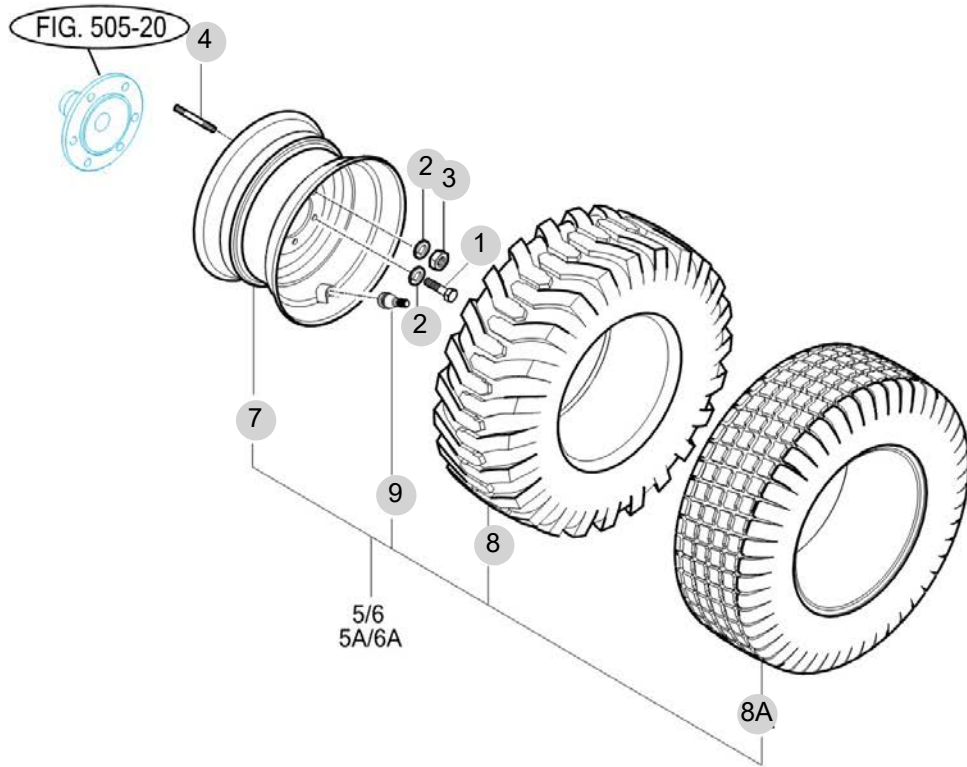
FIG 306

FRONT WHEEL MOUNTING

년/월
Year/Month

2022-12

T475SHEU



T394-E-306

NOTE

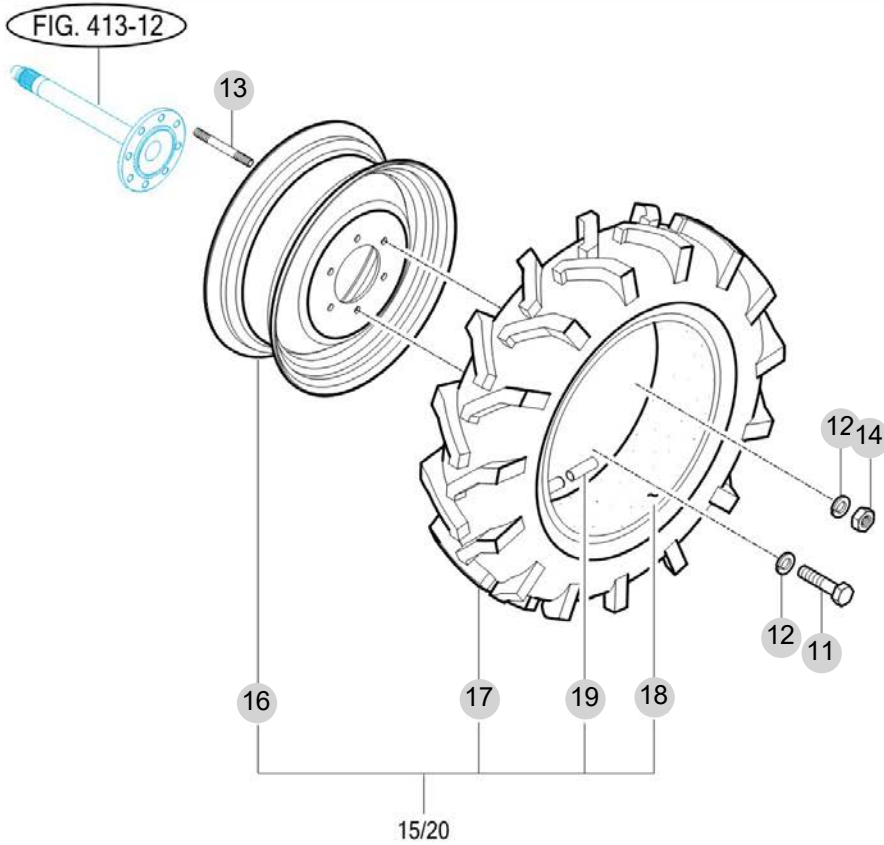
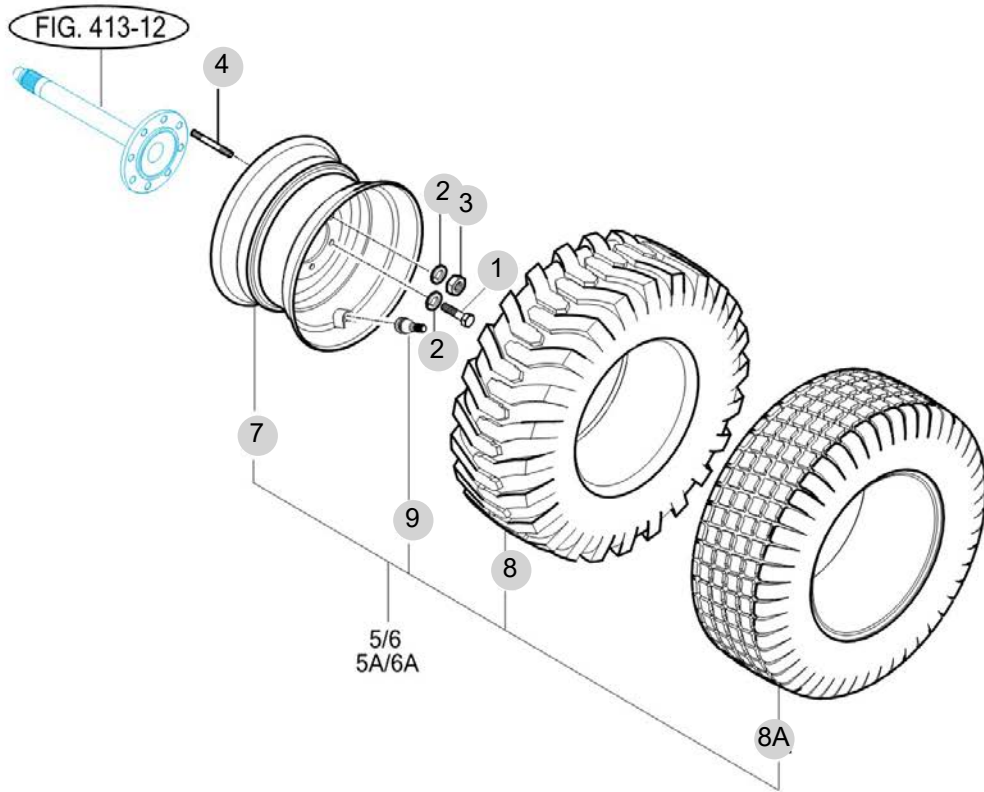
FIG 307

REAR WHEEL MOUNTING

년/월
Year/Month

T475SHEU

2022-12



T394-E-307

NOTE

FIG 307		REAR WHEEL MOUNTING						년/월	
								Year/Month	
T475SHEU								2022-12	
KEY NO	PART NO	DESCRIPTION	SPEC	QTY	REPAIR	EFFECTIVE DATE	REMARKS		
307	1	V2014616030	소형육각볼트(보통)	M16X30	8		R4		
307	2	V4011600160	스프링와셔	M16	12		R4		
307	3	V3043600160	소형육각너트보통2종	M16	4		R4		
307	4	15603200010	보울트(스타드,M16X30)		4		R4		
307	7	14584172201SR	휠림(20 X W11)ASSY/R3,R4		2				
307	7	14584172201MS	휠림(20 X W11)ASSY/R3,R4		2	B	R4		
307	8	14586172112	타이어(12.5-20,10PR,R4)		2		R4		
307	9	13153409000	타이어 밸브 SUB(415)		2		R4		
307	11	V2014616030	소형육각볼트(보통)	M16X30	8				
307	12	V4011600160	스프링와셔	M16	12				
307	13	15603200010	보울트(스타드,M16X30)		4				
307	14	V3043600160	소형육각너트보통2종	M16	4				
307	16	14473172601MS	W10-24휠 SET		2				
307	16	14473172601SR	W10-24휠 SET		1				
307	16	14473172601MS	W10-24휠 SET		1				
307	17	14313612111	타이어(12.4-24,6PR,R1)		2				
307	18	14253610010	튜브(12.4-24)		2				
307	19	V9993000010	타이어밸브캠	A Type	2				
NOTE									

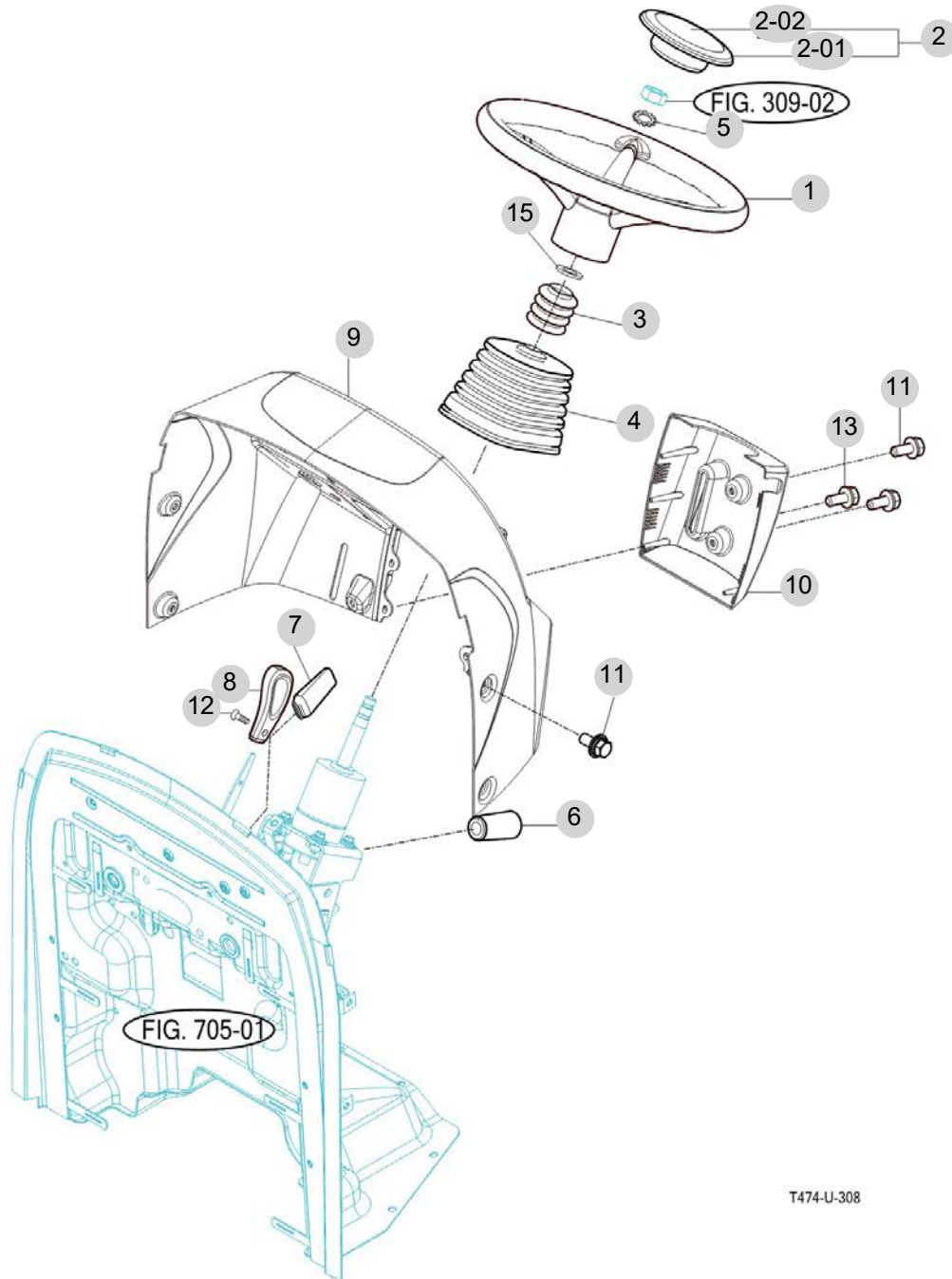
FIG 308

T475SHEU

STEERING WHEEL

년/월
Year/Month

2022-12



T474-U-308

NOTE

FIG 308		STEERING WHEEL						년/월
								Year/Month
T475SHEU		2022-12						
KEY NO	PART NO	DESCRIPTION	SPEC	QTY	REPAIR	EFFECTIVE DATE	REMARKS	
308	1	13834012100	스티어링 휠					
308	2	11644012300	캠(TYM), 스티어링 휠					
308	2	11644012301	캠(TYM), 스티어링 휠					
308	2	11644012302	캠(TYM), 스티어링 휠					
308	2-01	16994012020	커버(스티어링)					
308	2-02	19027322130	오나먼트					
308	2-02	19027322140	오나먼트					
308	2-02	11817322130	오나먼트					
308	3	16994011990	부츠(스티어링)					
308	4	14724010052	부츠(틸트)	T=1.5				
308	5	13834012200	이불이와셔(외치형)					
308	6	14445070030	레버손잡이					
308	7	15605110054	그립(03X17X97)					
308	8	13837553300	그립, 스톱틀					
308	9	13826031010	커버, 대시/상					
308	10	13826031020	커버, 대시/하					
308	11	V2163808020	소형육각볼트보통(P)	M8X20	6			
308	12	V1122605012	심자흡점시작은나사	M5X12	1			
308	13	V2163808020	소형육각볼트보통(P)	M8X20	4			
308	15	V4111600240	평와셔	M24	1			
NOTE								

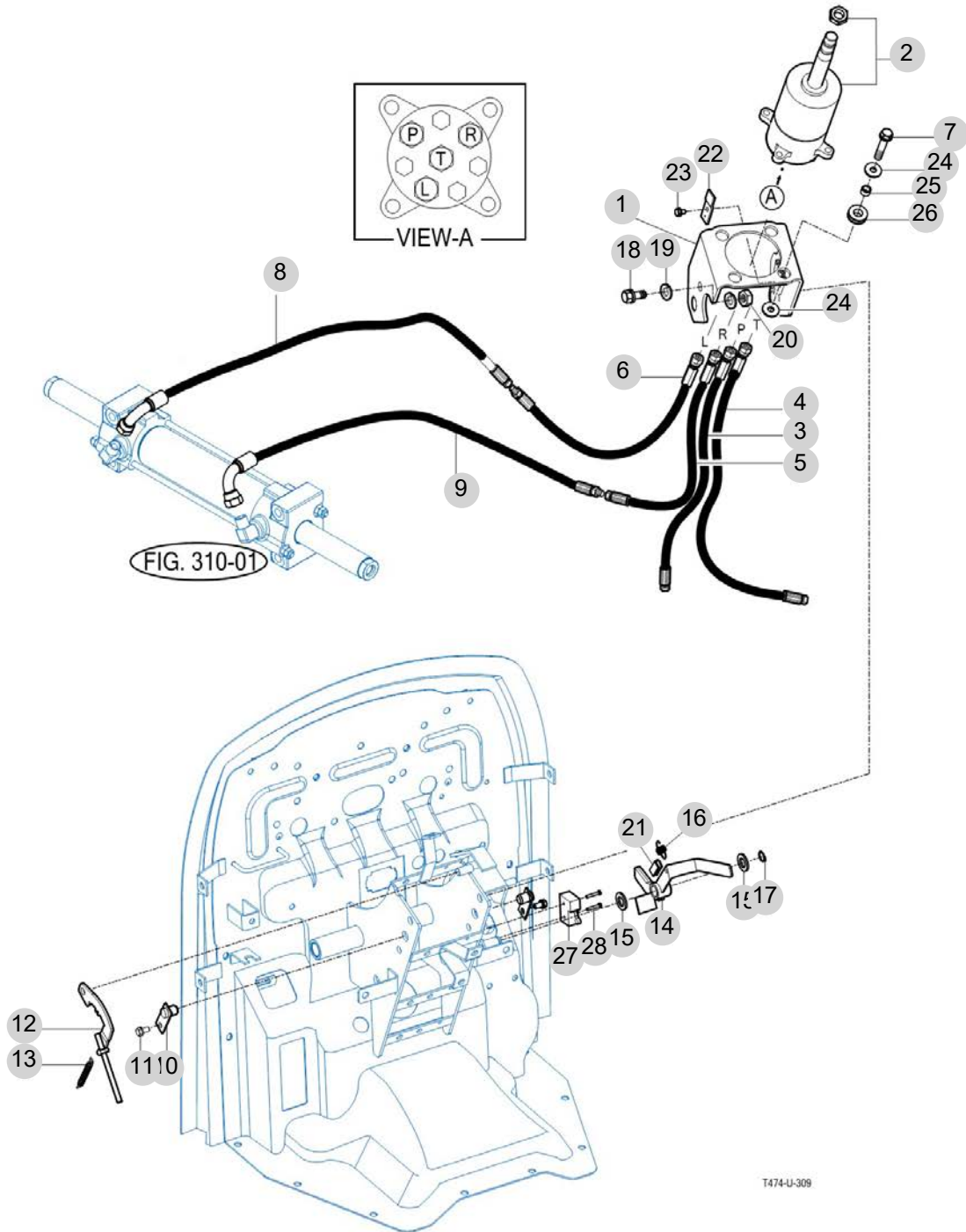
FIG 309

STEERING VALVE & PARKING

년/월
Year/Month

2022-12

T475SHEU



NOTE

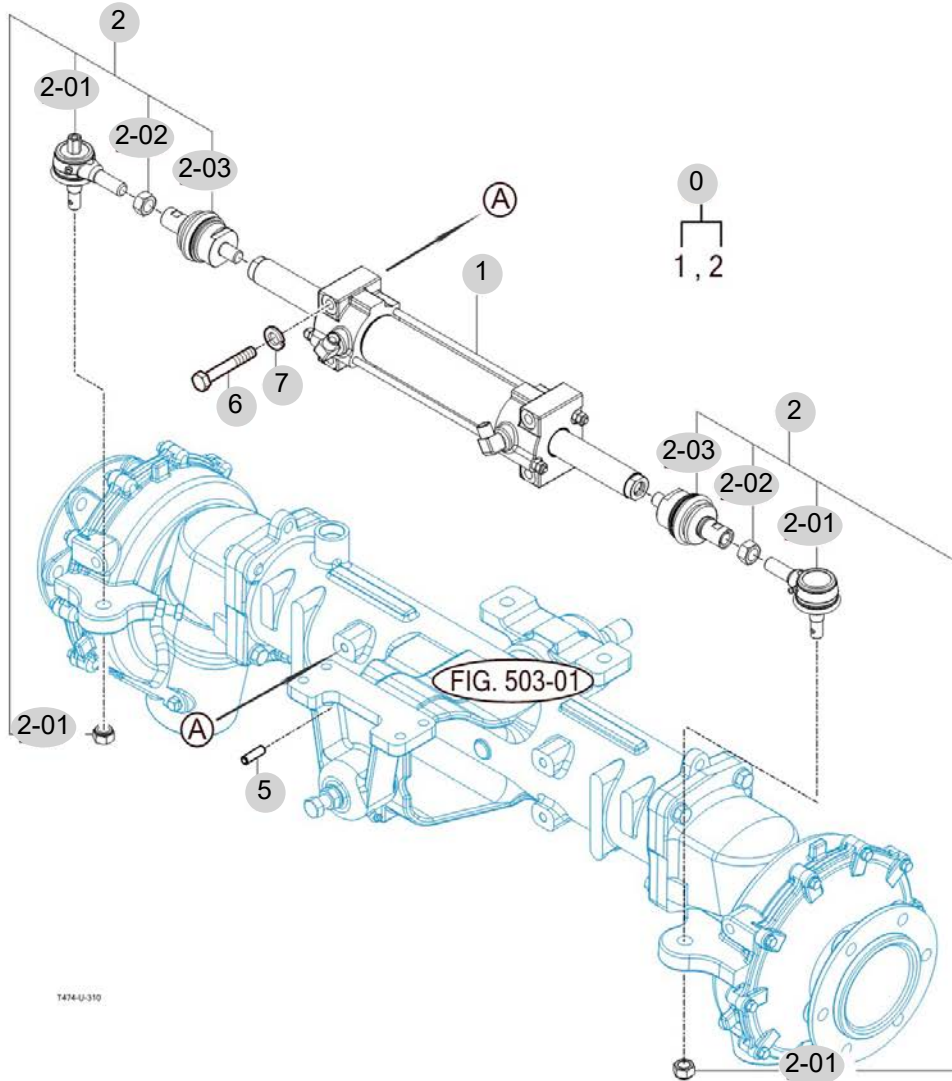
FIG 310

T475SHEU

STEERING CYLINDER

년/월
Year/Month

2022-12



NOTE

4. 트랜스미션 PART NO. T4

FIG 401 TRANSMISSION FRONT CASE	127
FIG 402 HST	129
FIG 403 MID CASE	131
FIG 404 4WD DRIVE GEAR	133
FIG 405 INPUT GEAR	135
FIG 406 SUB CHANGE GEARS	137
FIG 407 PINION GEARS	139
FIG 408 P.T.O DRIVE SHAFT	141
FIG 409 P.T.O CHANGE GEARS	143
FIG 410 DIFF LOCK	146
FIG 411 TRANSMISSION REAR CASE	148
FIG 412 REAR AXLE HOUSINGS (1)	150
FIG 413 REAR AXLE HOUSINGS (2)	152
FIG 415 SUB CHANGE LEVER	154
FIG 416 FORWARD & REVERSE CONTROL LINKAGE	156
FIG 418 4WD CHANGE LEVER	158

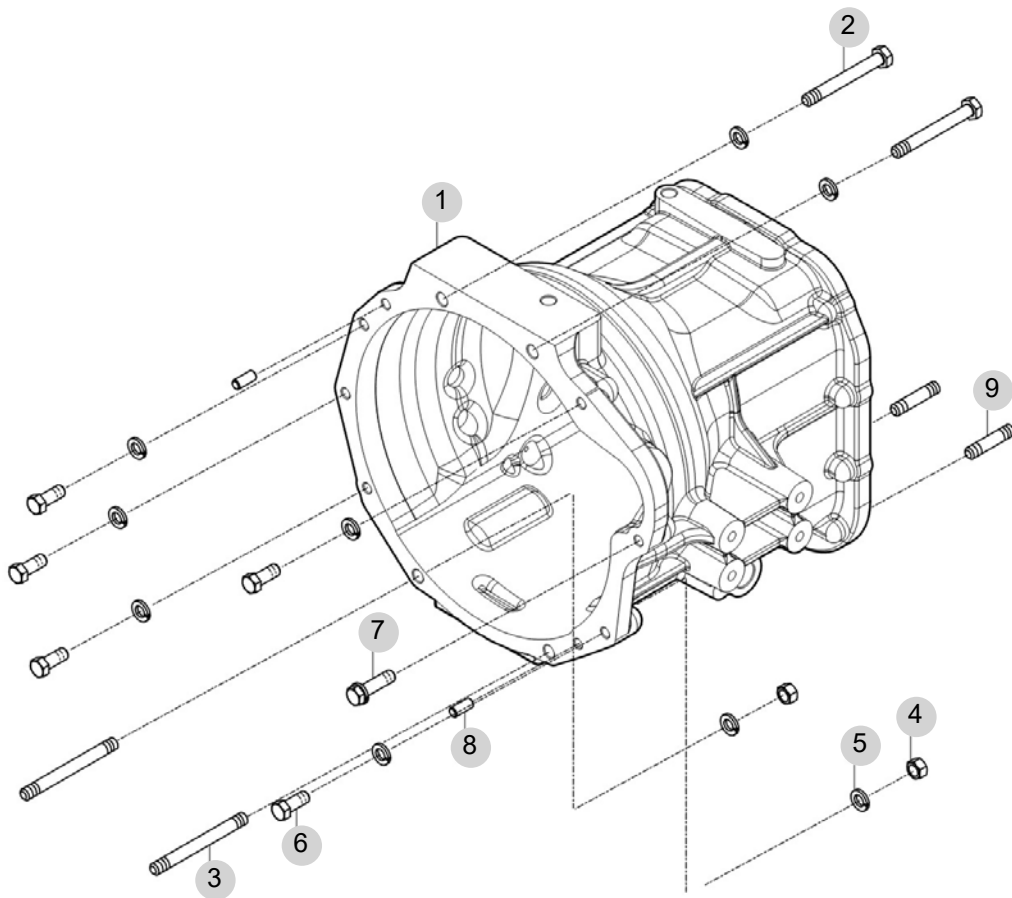
FIG 401

T475SHEU

TRANSMISSION FRONT CASE

년/월
Year/Month

2022-12



T475U-001

NOTE

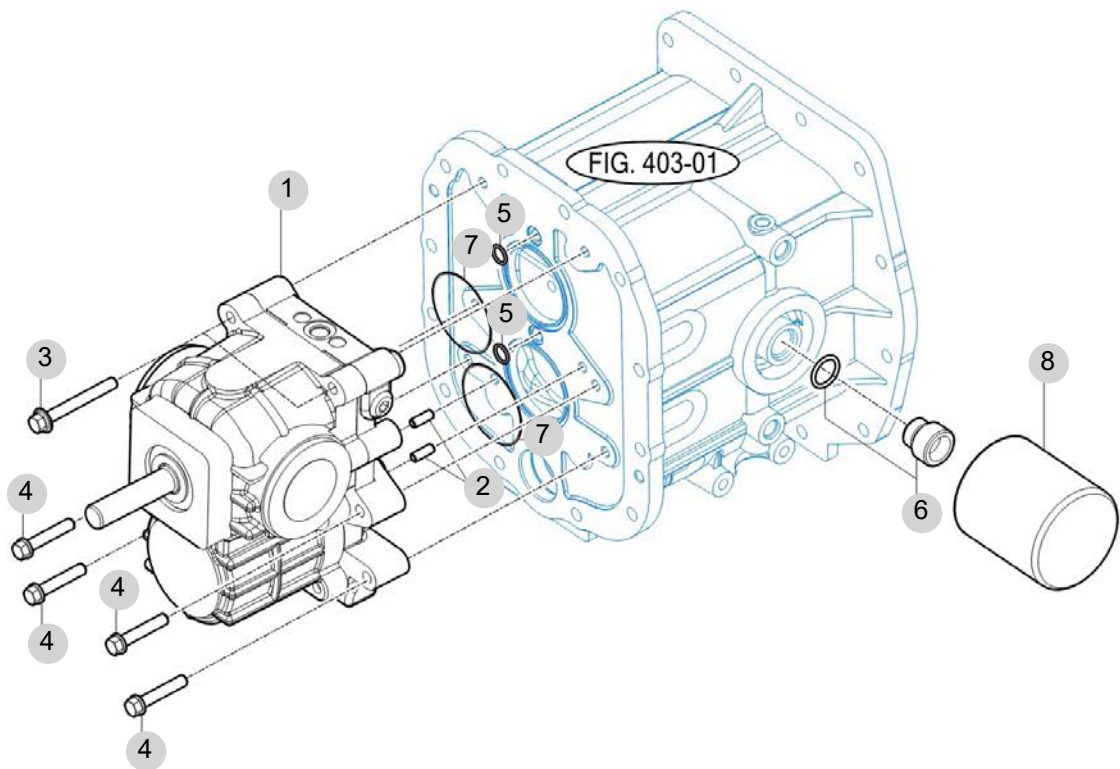
FIG 402

T475SHEU

HST

년/월
Year/Month

2022-12



NOTE

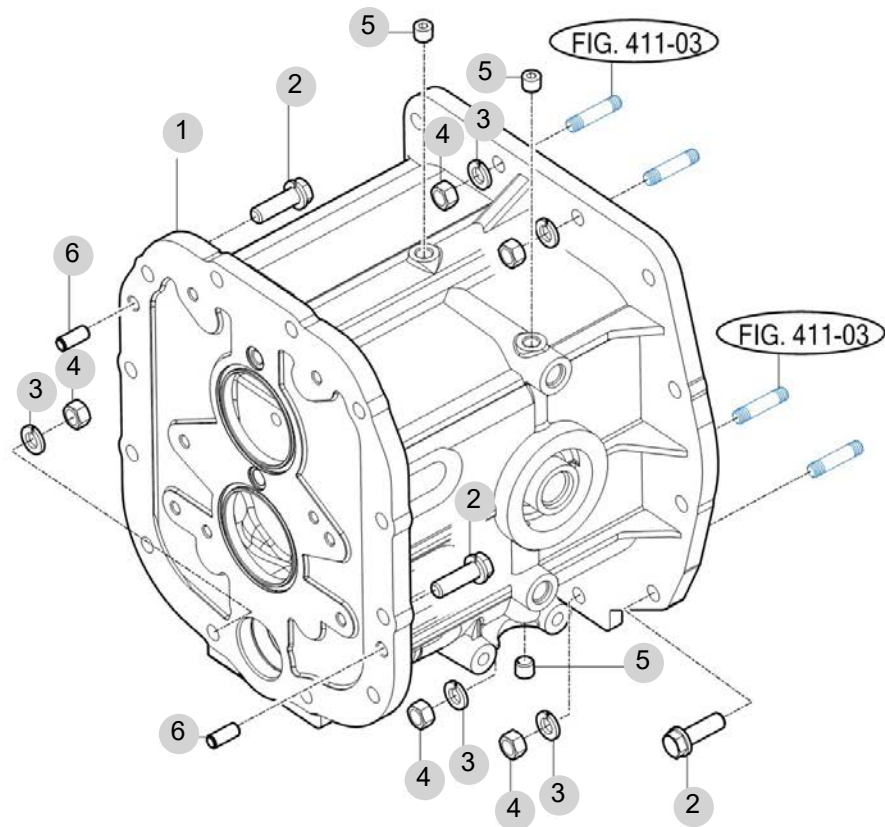
FIG 403

T475SHEU

MID CASE

년/월
Year/Month

2022-12



NOTE

FIG 403		MID CASE						년/월 Year/Month	
								2022-12	
T475SHEU		KEY NO	PART NO	DESCRIPTION	SPEC	QTY	REPAIR	EFFECTIVE DATE	REMARKS
403	1	12382200011M	미드 트랜스미션 케이스			1			
403	2	V2173612040	소형육각볼트보통(S)		M12X40	18			
403	3	V4011600120	스프링와셔		M12	6			
403	4	V3043600120	소형육각너트보통2종		M12	6			
403	5	V7801000004	플러그(육각구멍테이퍼)			3			
403	6	V5201010022	평행핀(A)		10X22	2			
NOTE									

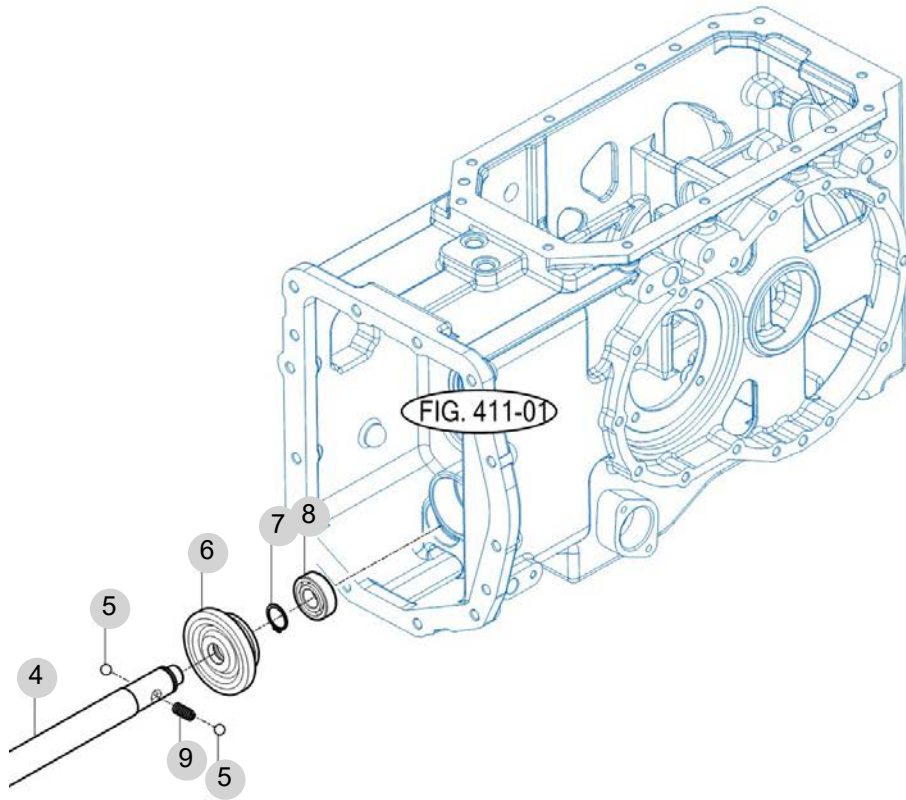
FIG 404

T475SHEU

4WD DRIVE GEAR

년/월
Year/Month

2022-12



NOTE

FIG 404 T475SHEU		4WD DRIVE GEAR					년/월 Year/Month	
							2022-12	
KEY NO	PART NO	DESCRIPTION	SPEC	QTY	REPAIR	EFFECTIVE DATE	REMARKS	
404	1	V7441254708	오일살(D)	D25478	1			
404	2	V7051400470	C형 멈춤링(구멍용)	47	1			
404	3	V6001106005	볼베어링	6005	1			
404	4	12382610040	4륜 구동축		1			
404	5	V6802000010	강구	5/16	2			
404	6	16702610023	4륜 구동기어(스퍼/28)		1			
404	7	V7041400280	C형 멈춤링(축용)	Ø28	1			
404	8	V6001106204	볼베어링	6204	1			
404	9	13022250030	시프터스프링		1			
NOTE								

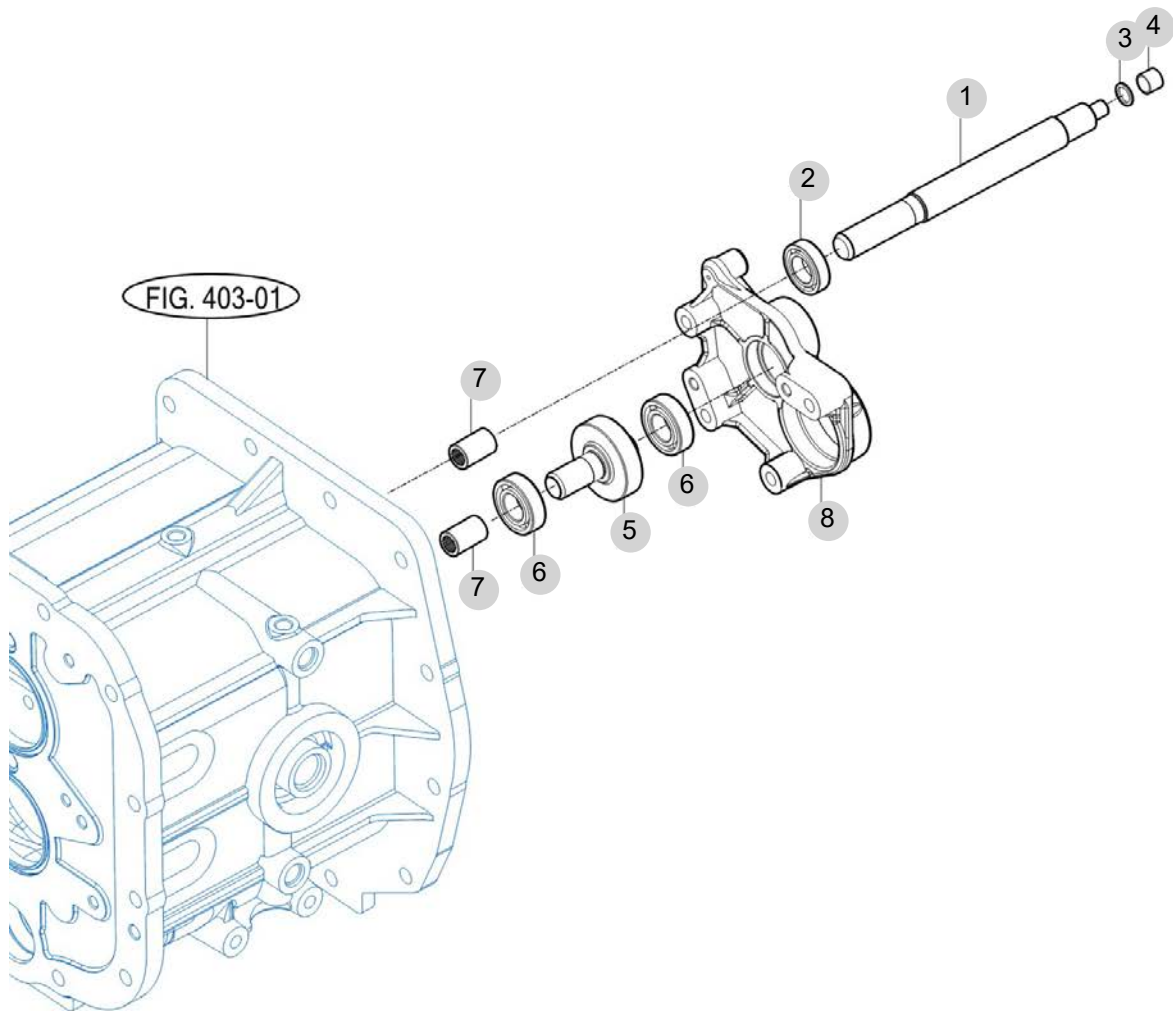
FIG 405

T475SHEU

INPUT GEAR

년/월
Year/Month

2022-12



NOTE

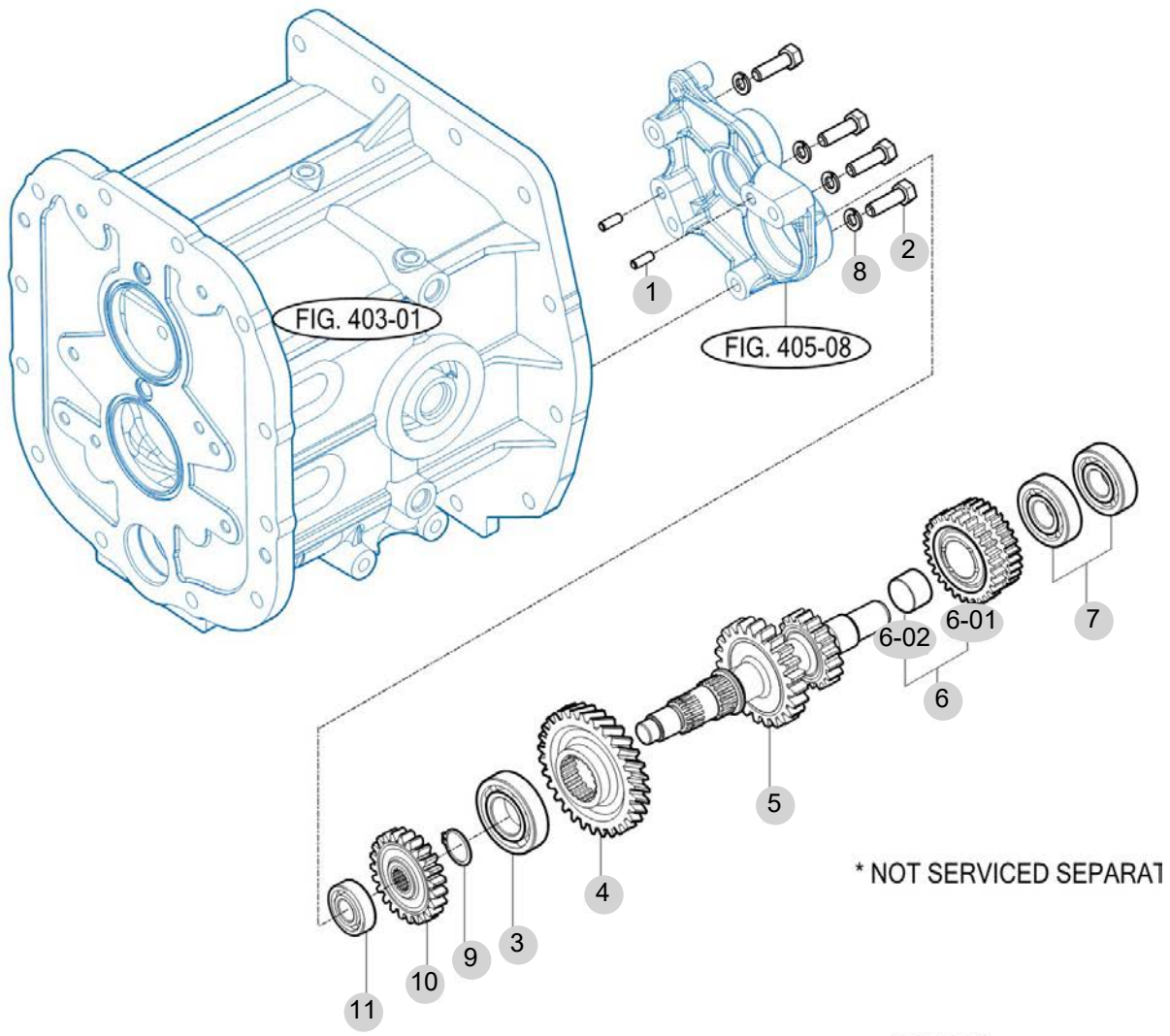
FIG 406

T475SHEU

SUB CHANGE GEARS

년/월
Year/Month

2022-12



NOTE

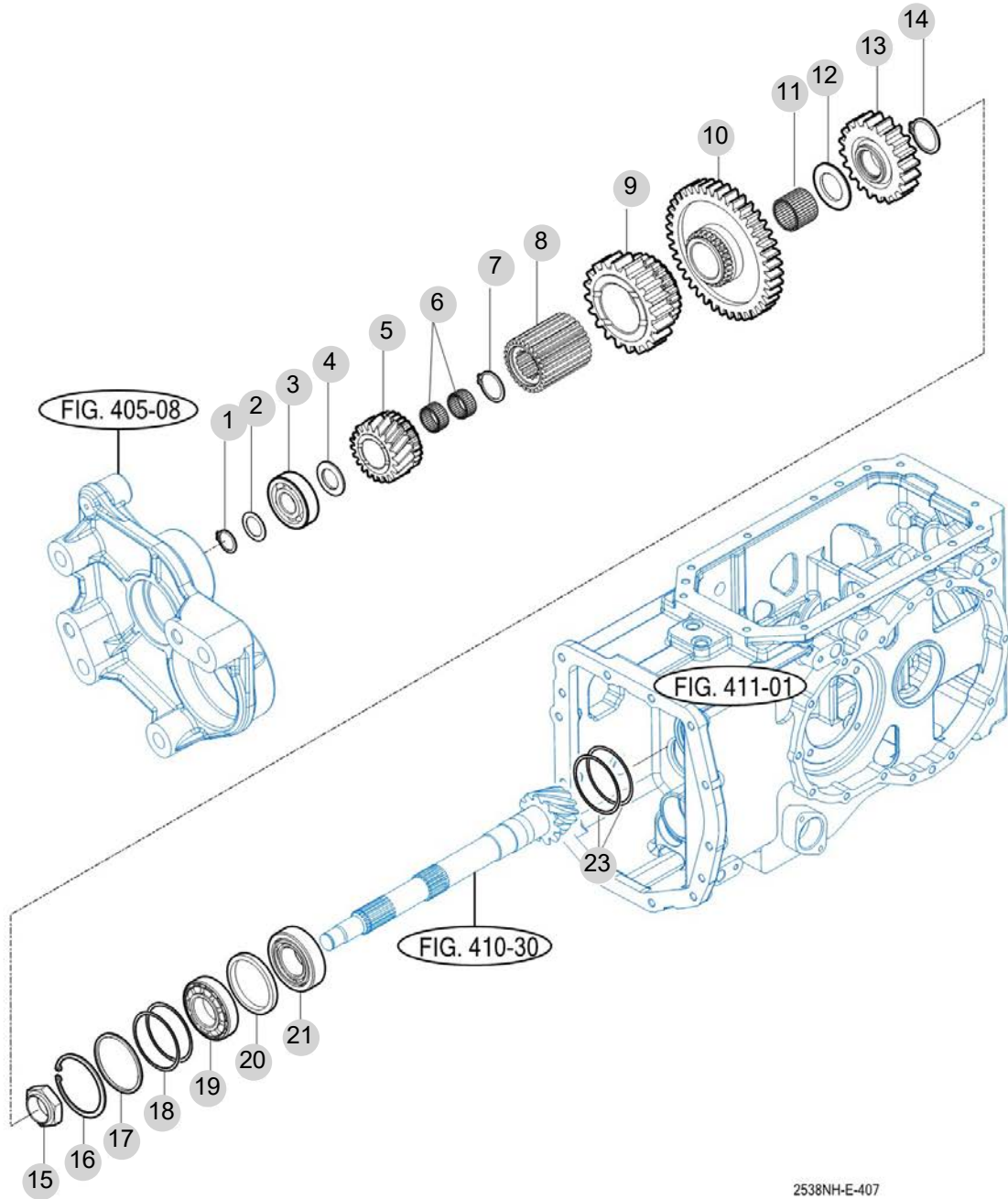
FIG 407

T475SHEU

PINION GEARS

년/월
Year/Month

2022-12



2538NH-E-407

NOTE

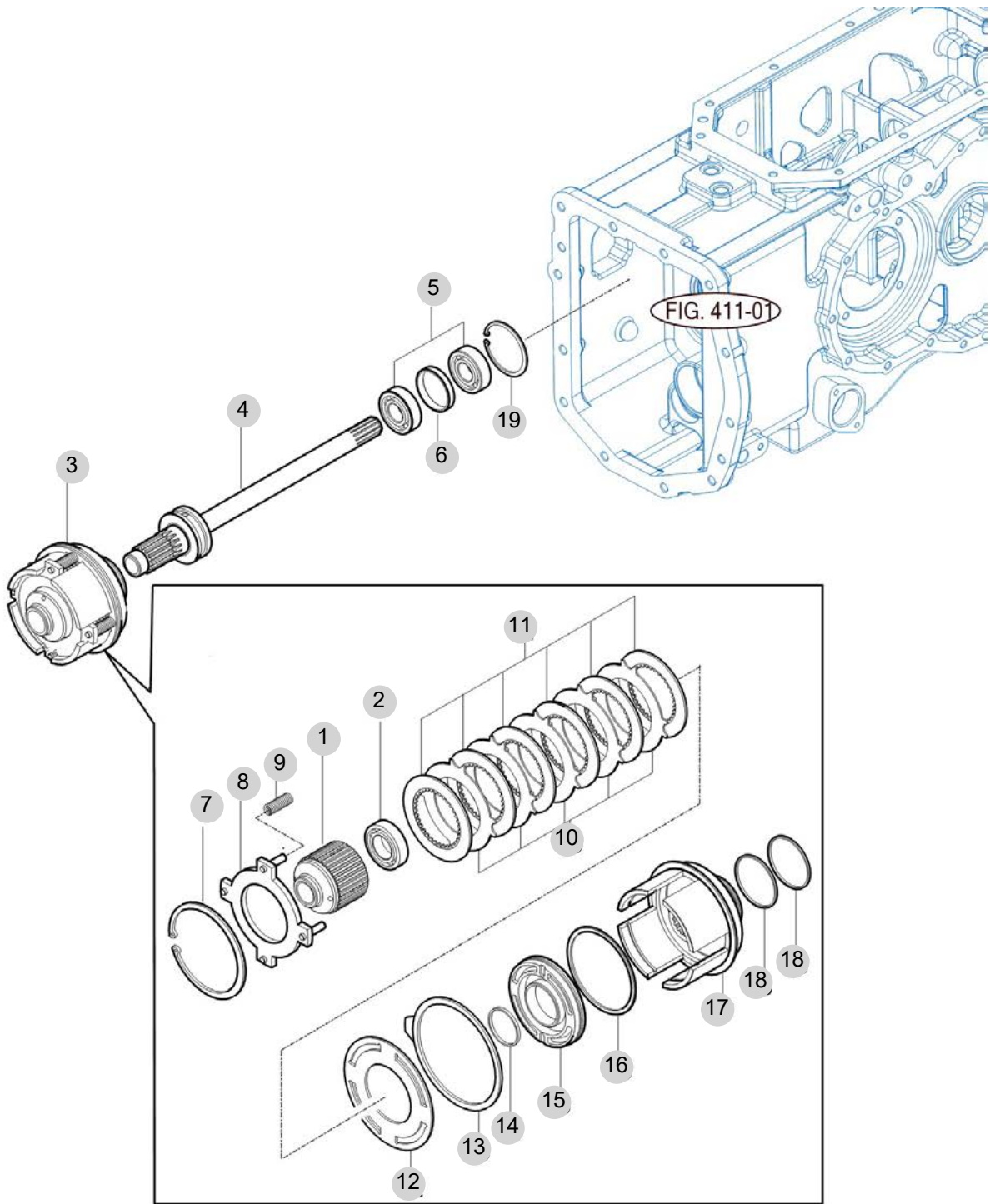
FIG 408

T475SHEU

P.T.O DRIVE SHAFT

년/월
Year/Month

2022-12



T303/353NC-E-408

NOTE

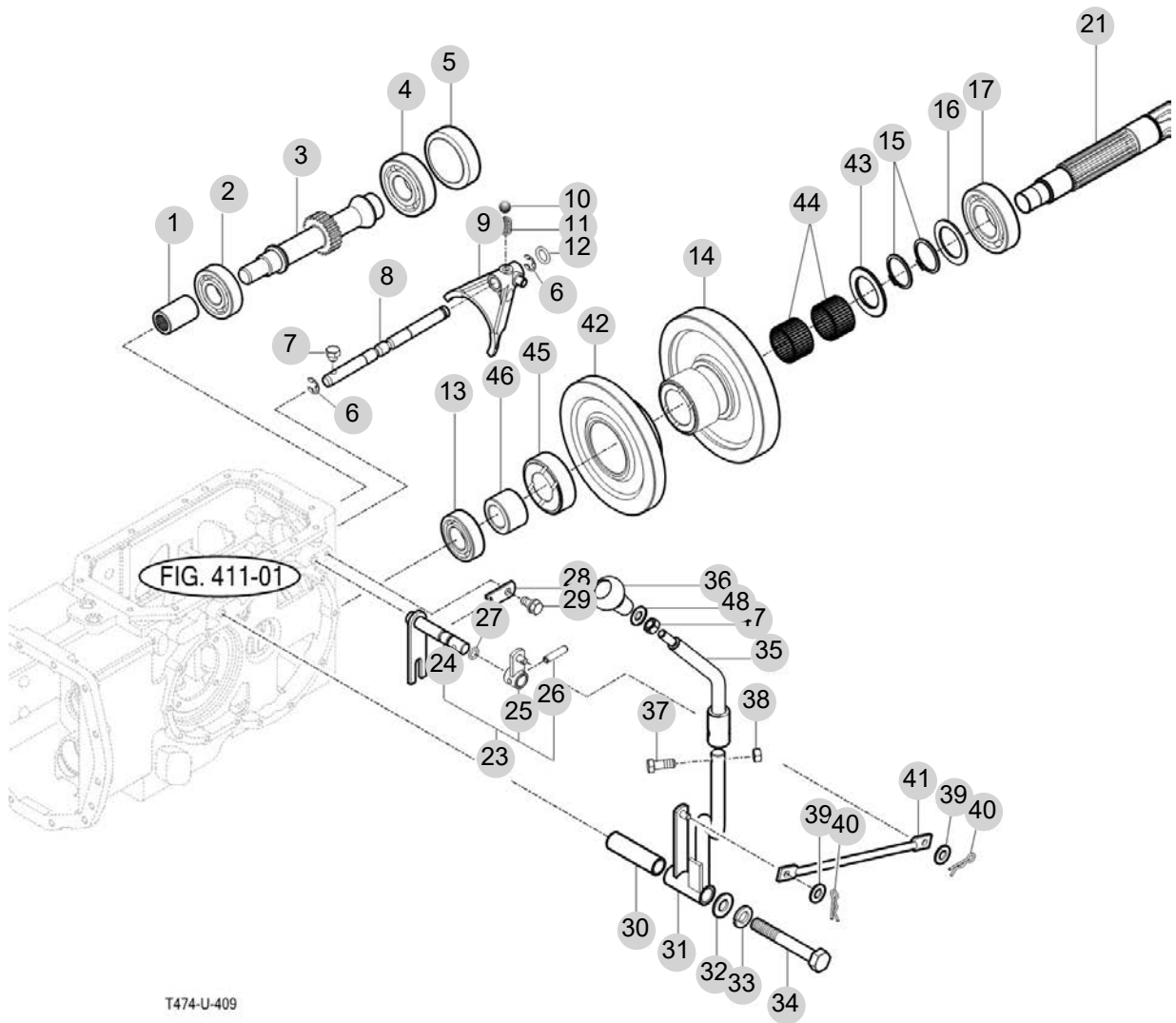
FIG 409

P.T.O CHANGE GEARS

년/월
Year/Month

T475SHEU

2022-12



T474-U-409

NOTE

FIG 409		P.T.O CHANGE GEARS					년/월 Year/Month		
							2022-12		
T475SHEU		KEY NO	PART NO	DESCRIPTION	SPEC	QTY	REPAIR	EFFECTIVE DATE	REMARKS
409	1	14211340190	커플링			1			
409	2	V6001106305	볼베어링	6305		1			
409	3	12382543530	PTO 카운트 축			1			
409	4	V6001106306	볼베어링	6306		1			
409	5	14254330180	캡(72)			1			
409	6	V7081400100	E형멈춤링	Ø10		2			
409	7	15602231610	볼트(셋트/M8X16)			1			
409	8	12382540020	PTO 스테이			1			
409	9	16702540011M	포크(PTO)			1			
409	10	V6802000010	강구	5/16		1			
409	11	13022250030	시프터스프링			1			
409	12	V7201024010	O링(P)	P10		1			
409	13	V6001106205	볼베어링	6205		1			
409	14	12382530020	PTO 기어(53)			1			
409	15	V7041400350	C형멈춤링(축용)	Ø35		2			
409	16	14443140041	칼라(35X50X2)			1			
409	17	V6001106207	볼베어링	6207		1			
409	20	V7051400720	C형멈춤링(구멍용)	Ø72		1			
409	21	12382530010	PTO 샤프트			1			
409	22	16322732000	씰(오일) ASSY			1			
409	23	16702555102	리어 PTO 후크 SET			1			
409	24	16702542102	리어 PTO 후크 COMP			1			
409	25	16702432201	암(부변속) COMP			1			
409	26	V5801406025	스프링핀	6X25		1			
409	27	V7201024012	O링(P)	P12		1			
409	28	16702230371	플레이트			1			
409	29	V2173608016	소형육각볼트보통(S)	M8X16		1			
409	30	16702440070	허브(13X17X61)			1			
409	31	16702552103	PTO 레버 ,하 COMP			1			
409	32	V4111600120	평와셔	M12		1			
409	33	V4011600120	스프링와셔	M12		1			
409	34	V2013612085	소형육각볼트(보통)	M12X85		1			
409	35	13832552200GB	레버 COMP , PTO/상			1			
409	36	16992190102	그립(PTO)			1			
409	36	19682190100	그립(PTO)			1			
409	37	V2013608035	소형육각볼트(보통)	M8X35		1			
409	38	V3042600080	소형육각너트보통2종	M8		1			
409	39	V4111600080	평와셔	M8		2			
409	40	V5601600008	스냅핀	8		2			
409	41	16702553100	로드(236)			1			
409	42	12382530030	스퍼 기어(41)			1			
409	43	15642730082	와셔(35X55X03)	D=55		1			
409	44	V6544354026	니들베어링(케이지)			2			
409	45	15642730052	허브(35X62X20)			1			
409	46	12382530040	와셔(25X40X26)	D=40		1			
NOTE									

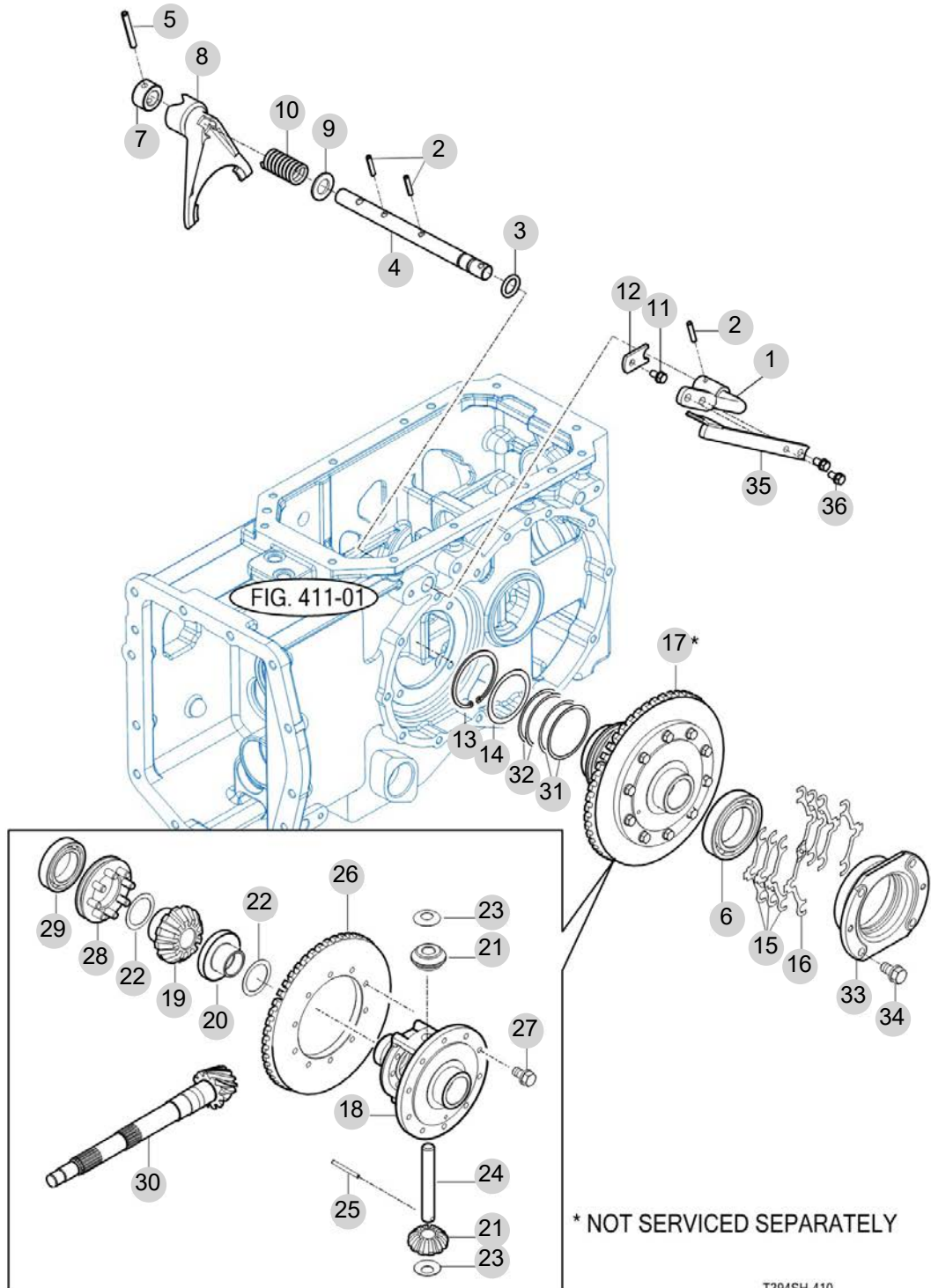
FIG 410

DIFF LOCK

년/월
Year/Month

T475SHEU

2022-12



NOTE

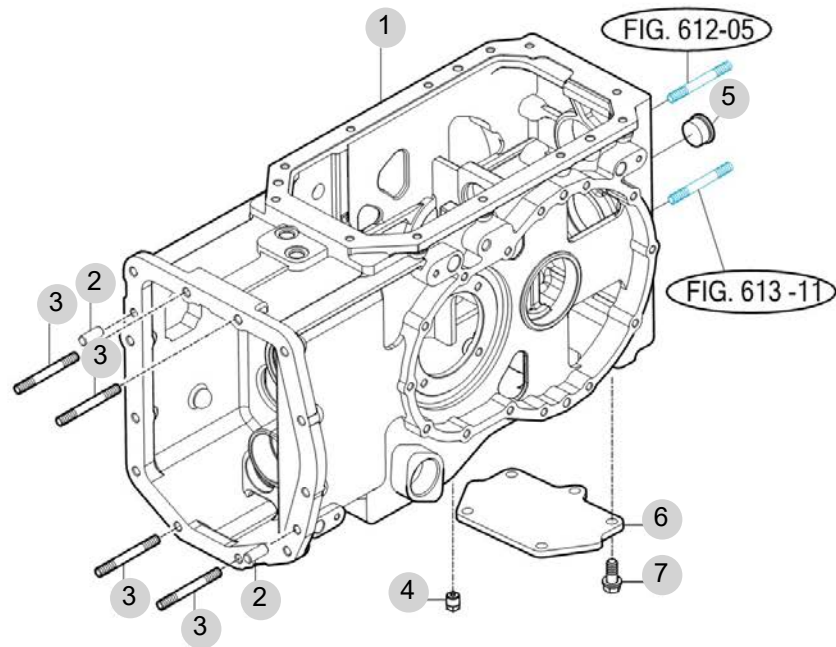
FIG 411

T475SHEU

TRANSMISSION REAR CASE

년/월
Year/Month

2022-12



T474-U-411

NOTE

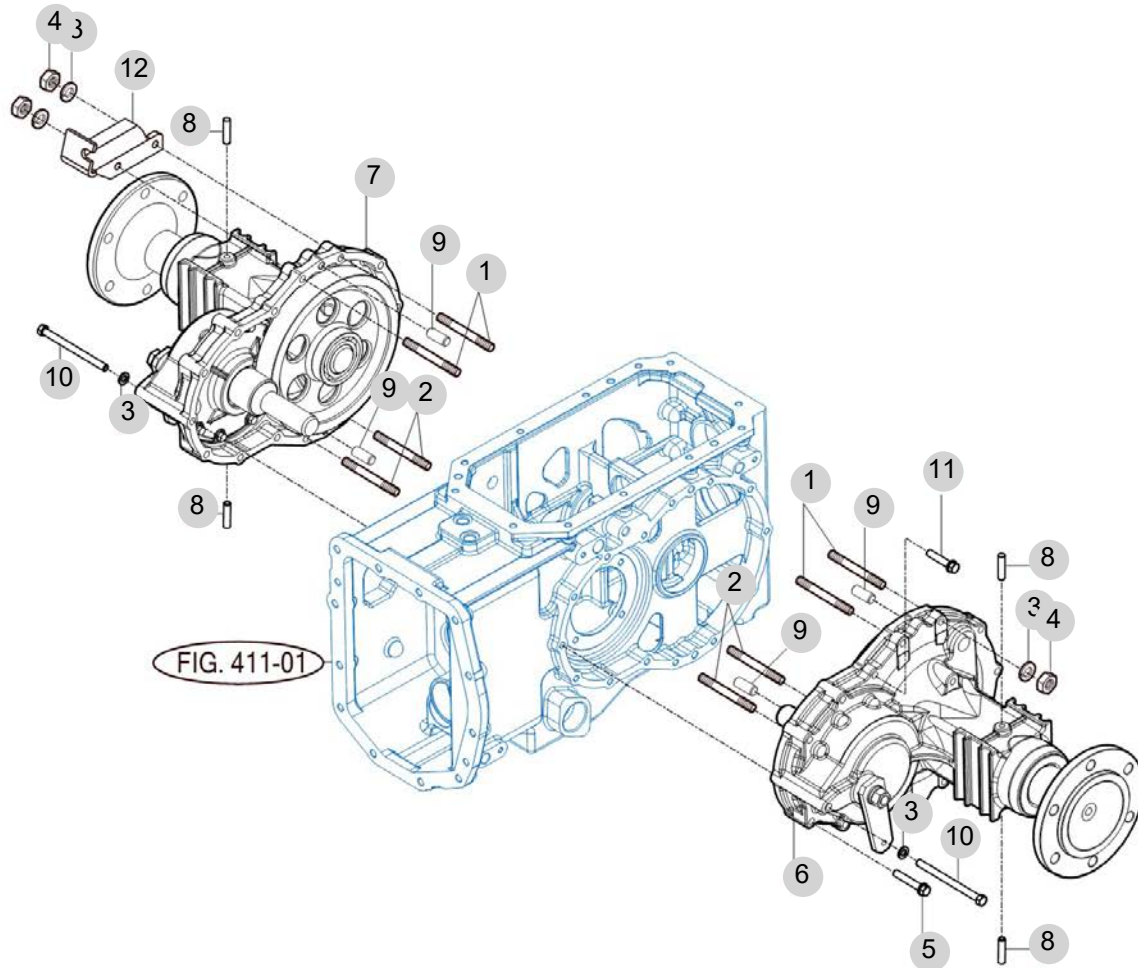
FIG 412

T475SHEU

REAR AXLE HOUSINGS (1)

년/월
Year/Month

2022-12



2538NH-E-412

NOTE

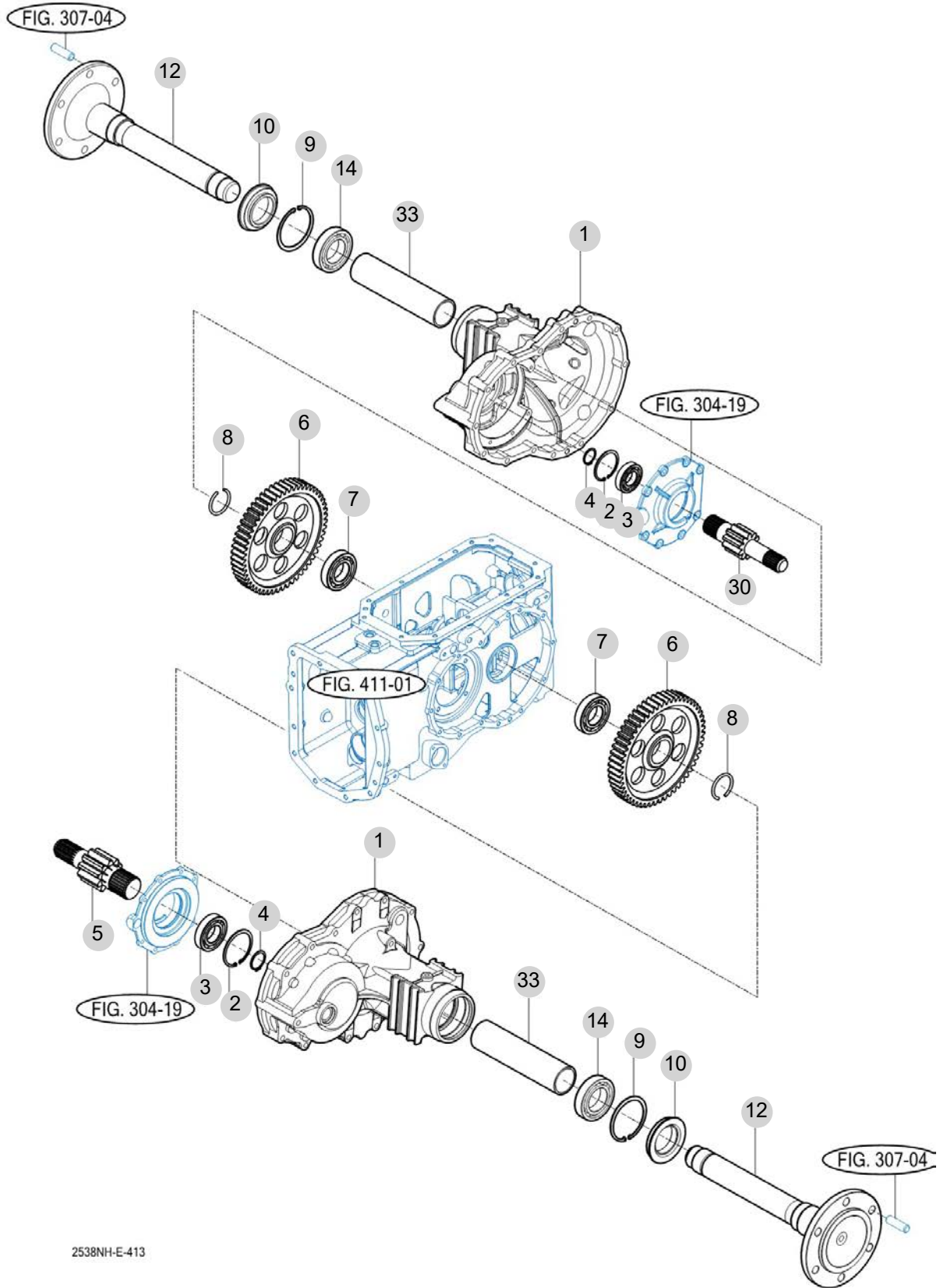
FIG 413

T475SHEU

REAR AXLE HOUSINGS (2)

년/월
Year/Month

2022-12



2538NH-E-413

NOTE

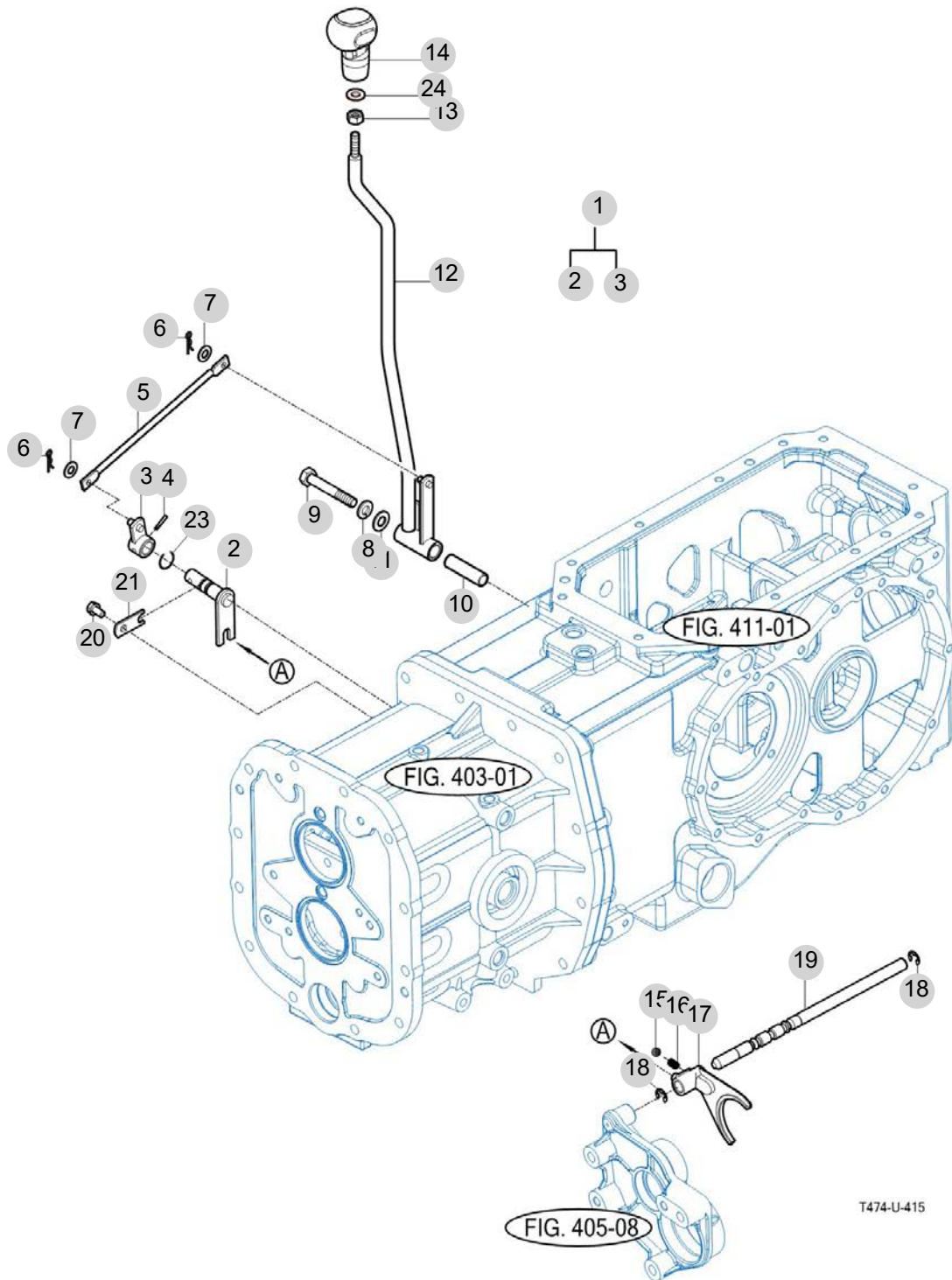
FIG 415

SUB CHANGE LEVER

년/월
Year/Month

2022-12

T475SHEU



NOTE

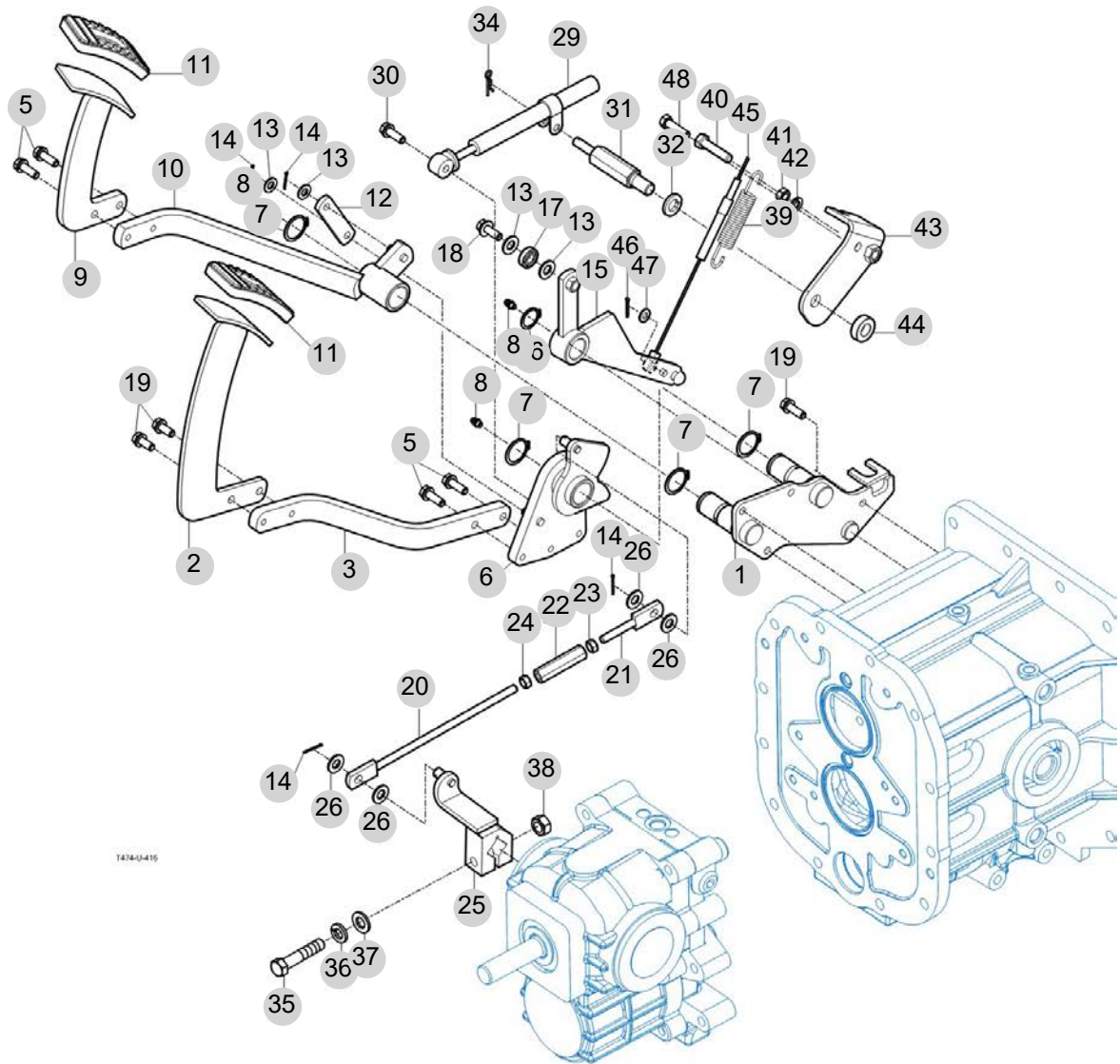
FIG 416

T475SHEU

FORWARD & REVERSE CONTROL LINKAGE

년/월
Year/Month

2022-12



NOTE

FIG 416 T475SHEU		FORWARD & REVERSE CONTROL LINKAGE					년/월 Year/Month	
							2022-12	
KEY NO	PART NO	DESCRIPTION	SPEC	QTY	REPAIR	EFFECTIVE DATE	REMARKS	
416	1	12382313201	HST 페달 브래킷 COMP		1			
416	2	14722312703GB	페달(전진) COMP		1			
416	3	14722310052	전진 플레이트		1			
416	5	V2173608025	소형육각볼트보통(S)	M8X25	4			
416	6	12382312300	전진 암 COMP		1			
416	7	V7041400250	C형멈춤링(축용)		4			
416	8	V7601500000	그리스니플(A-M6F)		3			
416	9	14722312802GB	페달(후진) COMP		1			
416	10	14722312603	암(후진) COMP		1			
416	11	14722312730	패드		2			
416	12	14722310023	플레이트(후진)		1			
416	13	V4111600080	평와셔	M8	4			
416	14	V5001920020	분할핀		4			
416	15	13832312501	캠 팔로어 암 COMP		1			
416	16	V7041400200	C형멈춤링(축용)		1			
416	17	14722310060	볼베어링(608DD)		1			
416	18	V2013608035	소형육각볼트(보통)	M8X35	1			
416	19	V2173608025	소형육각볼트보통(S)	M8X25	6			
416	20	12382325100	로드 COMP(LH)		1			
416	21	11102325200	로드 COMP(RH)		1			
416	22	16601220020	터언버클(M8,60)		1			
416	23	V3042600080	소형육각너트보통2종	M8	1			
416	24	15601320073	육각너트(SM,LH,M8)		1			
416	25	12382312101	홀더 브래킷 COMP		1			
416	26	V4111600100	평와셔	M10	4			
416	29	14722312401	오일 댐퍼		1			
416	30	V2183608035	소형육각볼트보통(SP)	M8X35	1			
416	31	10532310090	오일 댐퍼 핀		1			
416	32	V4011600120	스프링와셔	M12	1			
416	34	V5601600008	스냅핀		1			
416	35	V2173610055	소형육각볼트보통(S)	M10X55	1			
416	36	V4011600100	스프링와셔	M10	1			
416	37	V4111600100	평와셔	M10	1			
416	38	V3043600100	소형육각너트보통2종	M10	1			
416	39	14722310033	스프링(리턴)		1			
416	40	V2013608035	소형육각볼트(보통)	M8X35	1			
416	41	V3042600080	소형육각너트보통2종	M8	1			
416	42	V4011600080	스프링와셔		1			
416	43	13831163801	케이블 브래킷 COMP		1			
416	44	10532310080	칼라, 12X24X8		1			
416	45	13831162700	케이블(오토스로틀)ASSY		1			
416	46	V5001920015	분할핀		1			
416	47	V4111600060	평와셔	M6	1			
416	48	V2173608020	소형육각볼트보통(S)	M8X20	1			
NOTE								

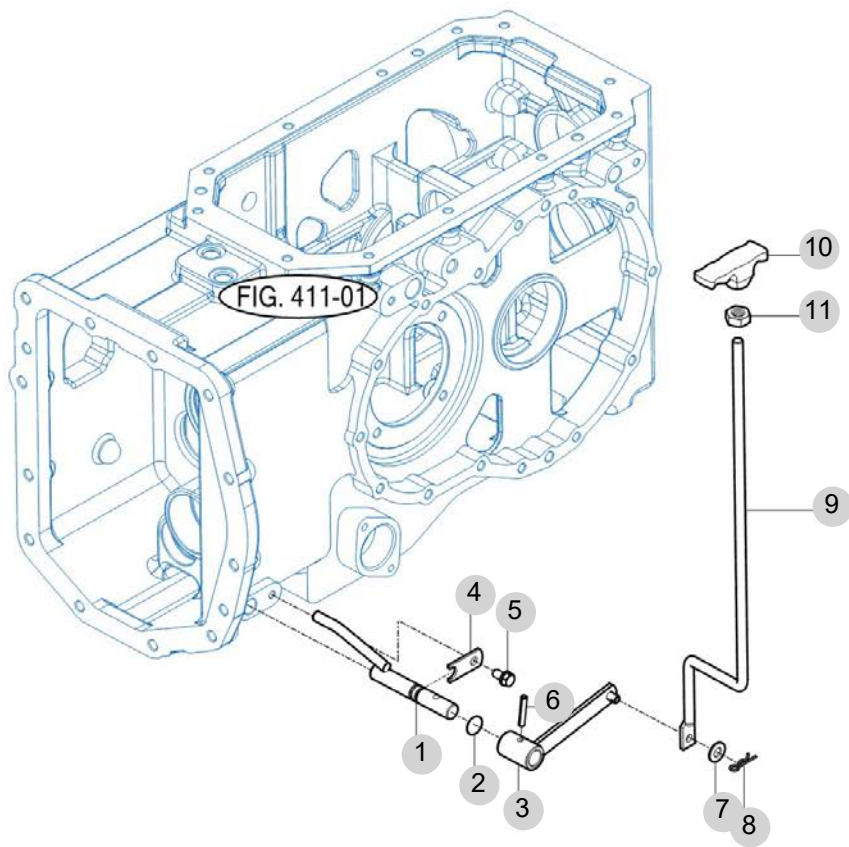
FIG 418

4WD CHANGE LEVER

년/월
Year/Month

T475SHEU

2022-12



2538NH-K-418

NOTE

5. 프런트 액슬 PART NO. T5

FIG 501 FRONT AXLE BRACKET	161
FIG 502 FRONT DIFF. GEARS & SHAFT	163
FIG 503 FRONT AXLE HOUSING	165
FIG 504 FRONT GEAR CASE (1)	167
FIG 505 FRONT GEAR CASE (2)	169

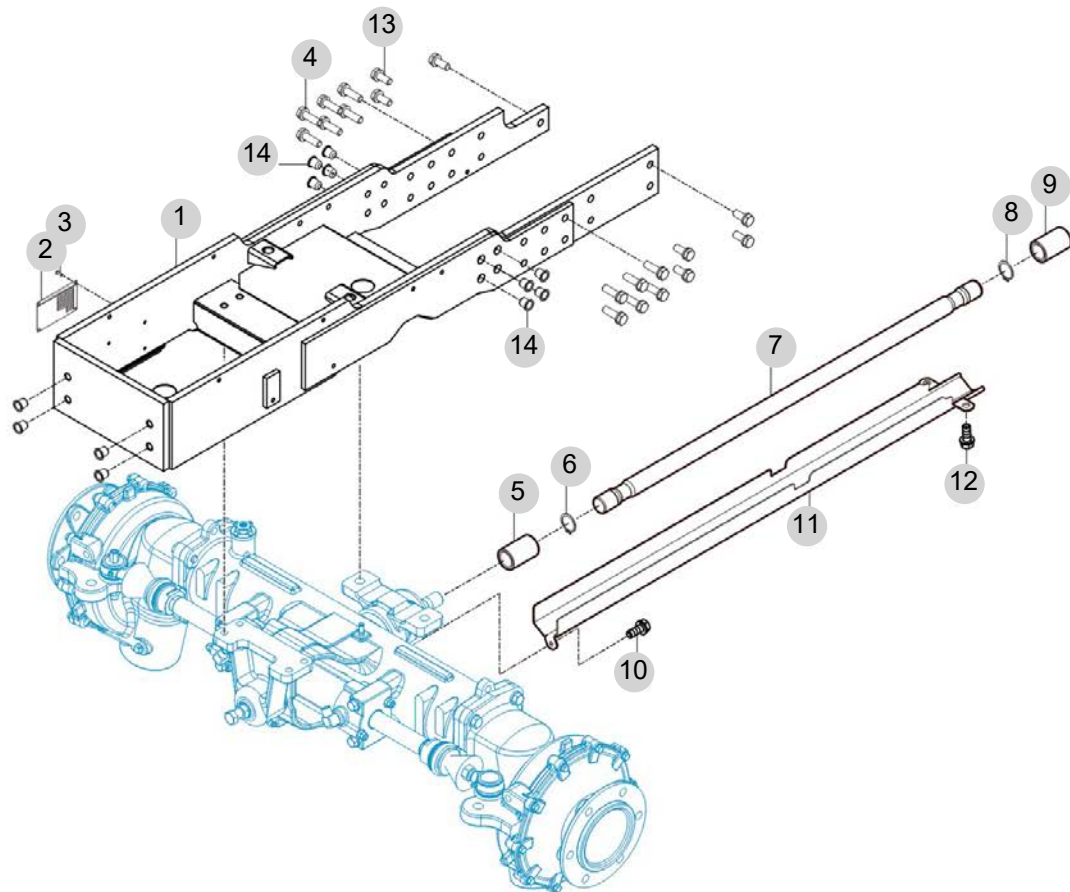
FIG 501

T475SHEU

FRONT AXLE BRACKET

년/월
Year/Month

2022-12



NOTE

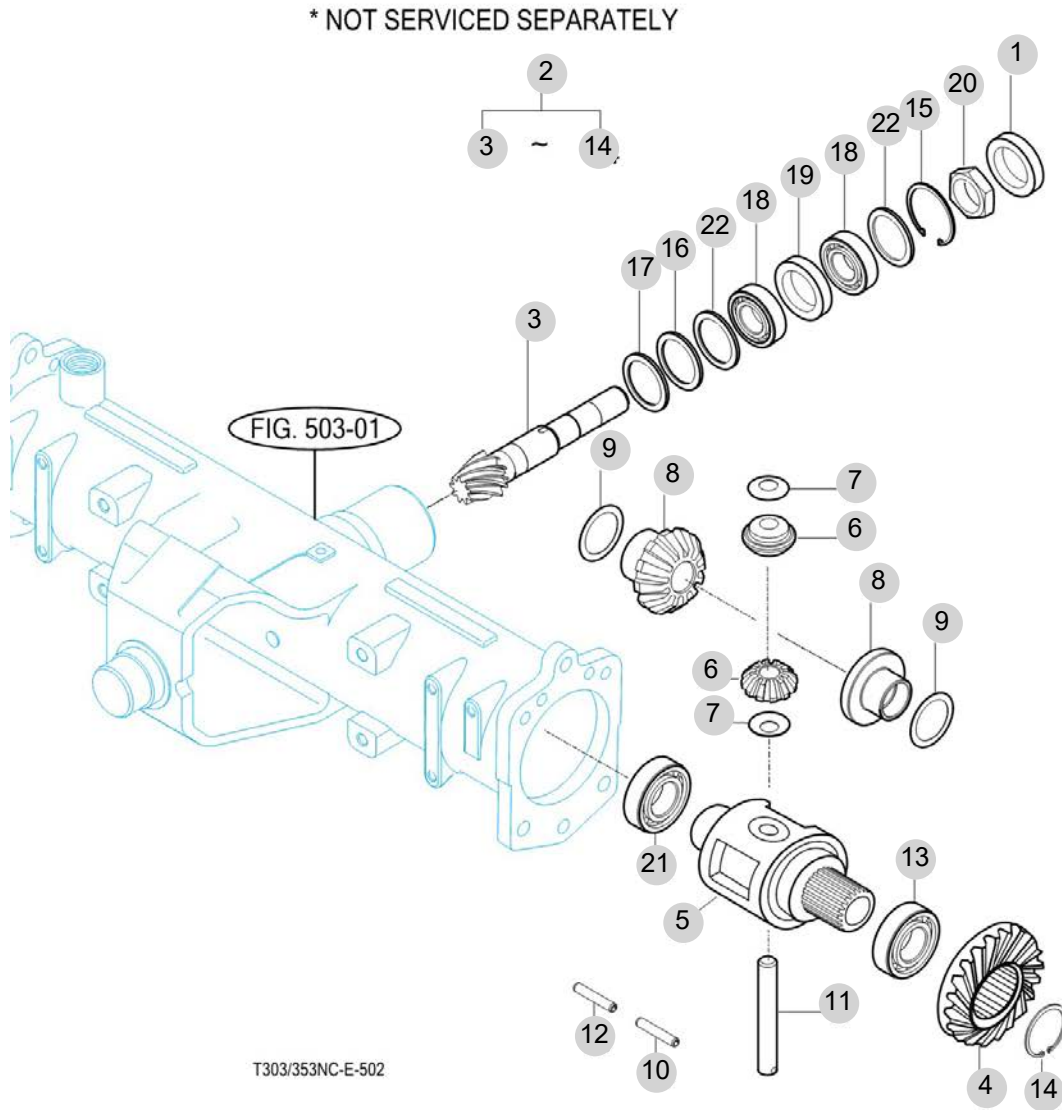
FIG 502

T475SHEU

FRONT DIFF. GEARS & SHAFT

년/월
Year/Month

2022-12



NOTE

FIG 502 T475SHEU		FRONT DIFF. GEARS & SHAFT					년/월 Year/Month	
							2022-12	
KEY NO	PART NO	DESCRIPTION	SPEC	QTY	REPAIR	EFFECTIVE DATE	REMARKS	
502	1	V7441256210	오일실(D)	D256210	1			
502	2	16704112001	디프렌셜시스템(완)(전)		1			
502	2	16704112002	디프렌셜시스템(완)(전)		1			
502	2	16704112002	디프렌셜시스템(완)(전)		1			
502	3	16704112010	베벨피니언(8)		1			
502	3	16704112011	베벨피니언(8)		1			
502	3	16704112010	베벨피니언(8)		1			
502	3	16704112011	베벨피니언(8)		1			
502	3	16704112011	베벨피니언(8)		1			
502	4	16704112110	베벨기어(23)		1			
502	4	16704112111	베벨기어(23)		1			
502	4	16704112110	베벨기어(23)		1			
502	4	16704112111	베벨기어(23)		1			
502	4	16704112111	베벨기어(23)		1			
502	5	16704310031	프런트디프케이스		1			
502	5	16704310031	프런트디프케이스		1			
502	6	16704320020	차동피니언(12)		2			
502	6	16704320020	차동피니언(12)		2			
502	7	14273010050	피니언스라스트칼라		2			
502	7	14273010050	피니언스라스트칼라		2			
502	8	16704310160	차동사이드기어(20)		2			
502	8	16704310160	차동사이드기어(20)		2			
502	9	16704320050	스러스트와셔		2			
502	9	16704320050	스러스트와셔		2			
502	10	V5801405025	스프링핀	5X25	1			
502	10	V5801405025	스프링핀		1			
502	11	16704110060	차동피니언축		1			
502	11	16704110060	차동피니언축		1			
502	12	V5801403025	스프링핀	3X25	1			
502	12	V5801403025	스프링핀		1			
502	13	V6001106212	볼베어링	6212	1			
502	13	V6001106212	볼베어링		1			
502	14	17994420060	C형멈춤링(축용)		1			
502	14	17994420060	C형멈춤링(축용)		1			
502	15	V7051400620	C형멈춤링(구멍용)	62	1			
502	16	14254310080	심(A)		1			
502	17	14152050160	심(B)		1			
502	18	15024320020	원추로울러베어링		2			
502	19	16704112120	칼라		1			
502	20	14884110090	너트(M30)		1			
502	21	V6001106211	볼베어링	6211	1			
502	22	16704110121	간격심		2			
NOTE								

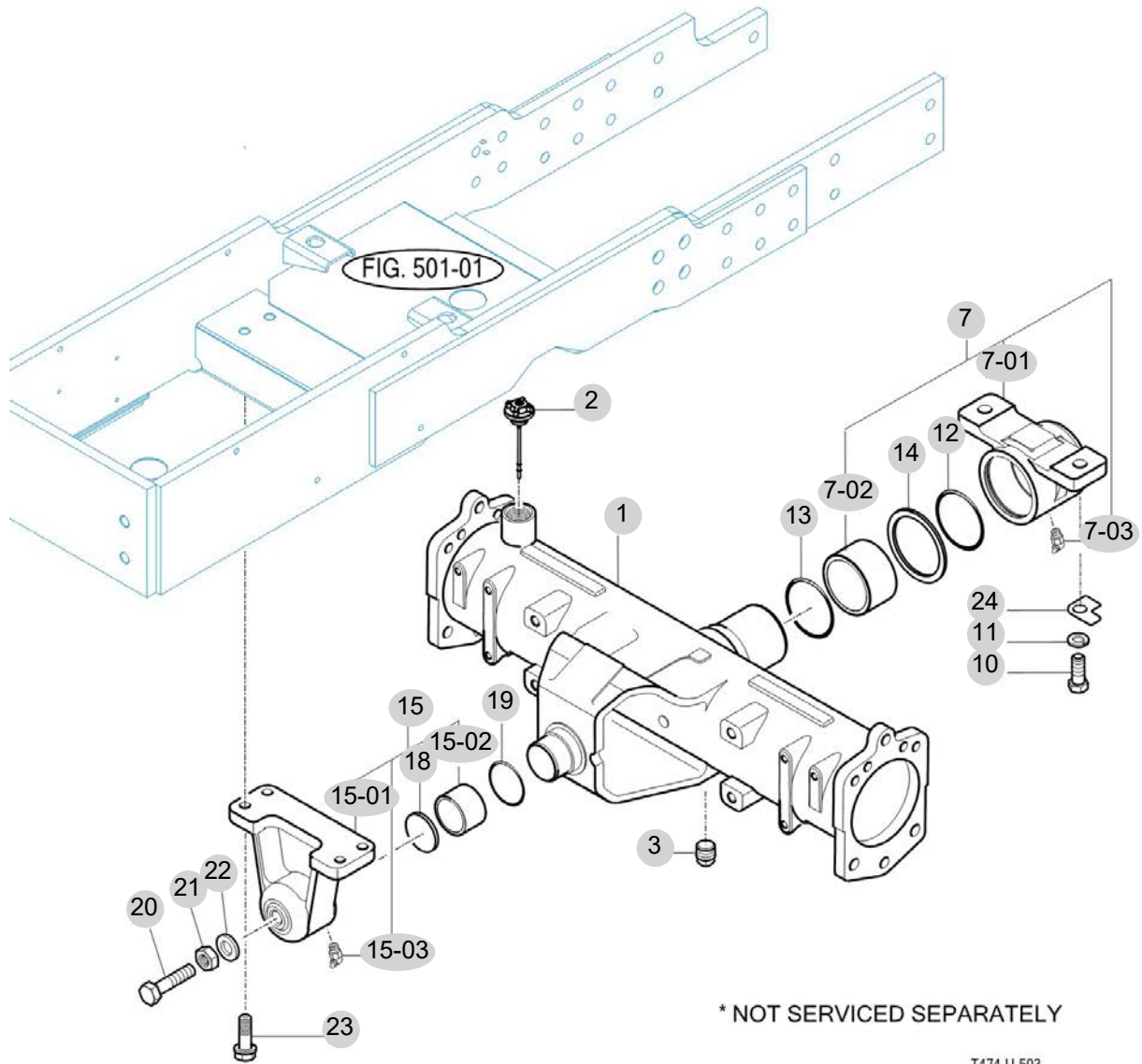
FIG 503

T475SHEU

FRONT AXLE HOUSING

년/월
Year/Month

2022-12



T474-U-503

NOTE

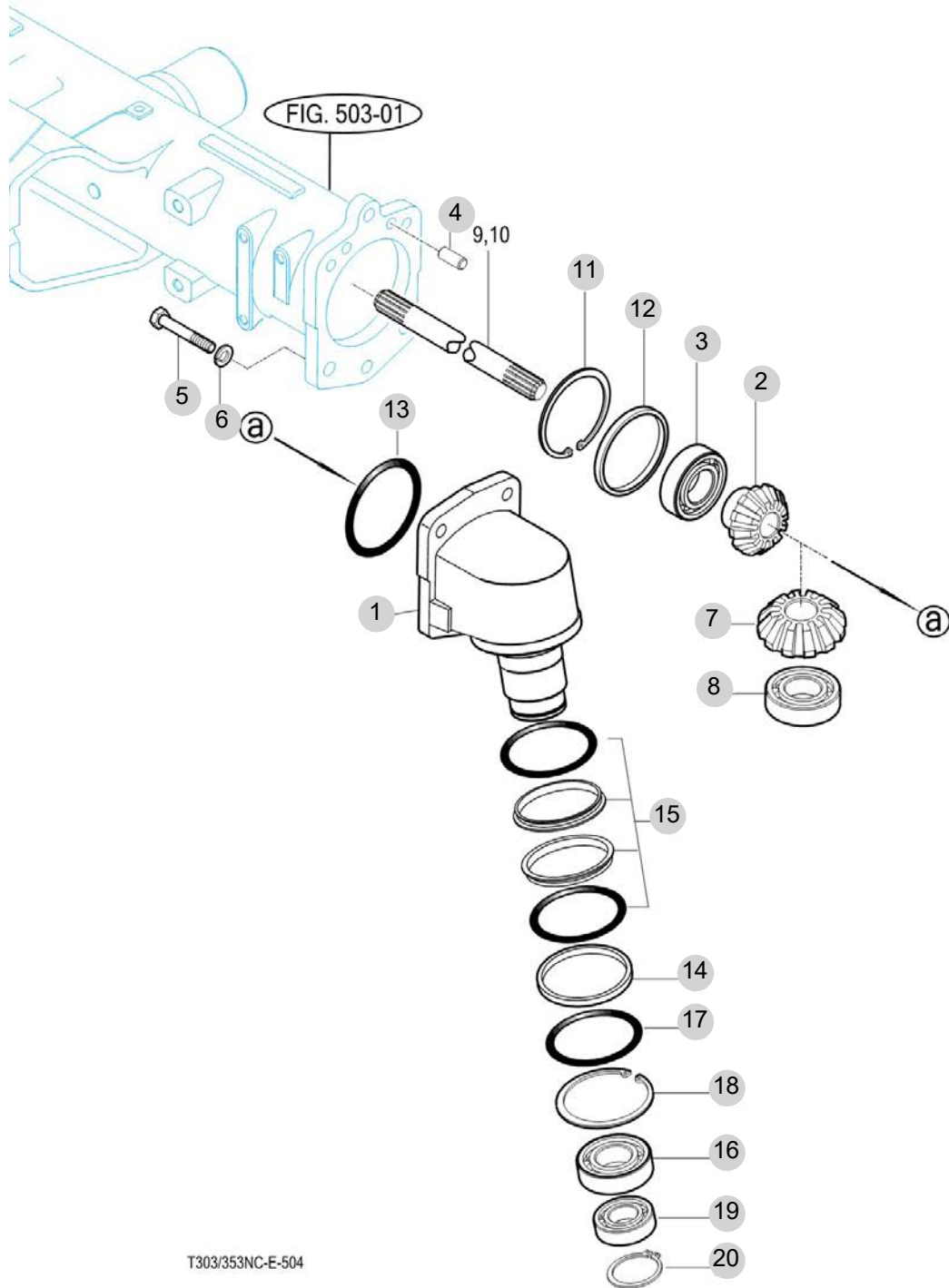
FIG 504

T475SHEU

FRONT GEAR CASE (1)

년/월
Year/Month

2022-12



T303/353NC-E-504

NOTE

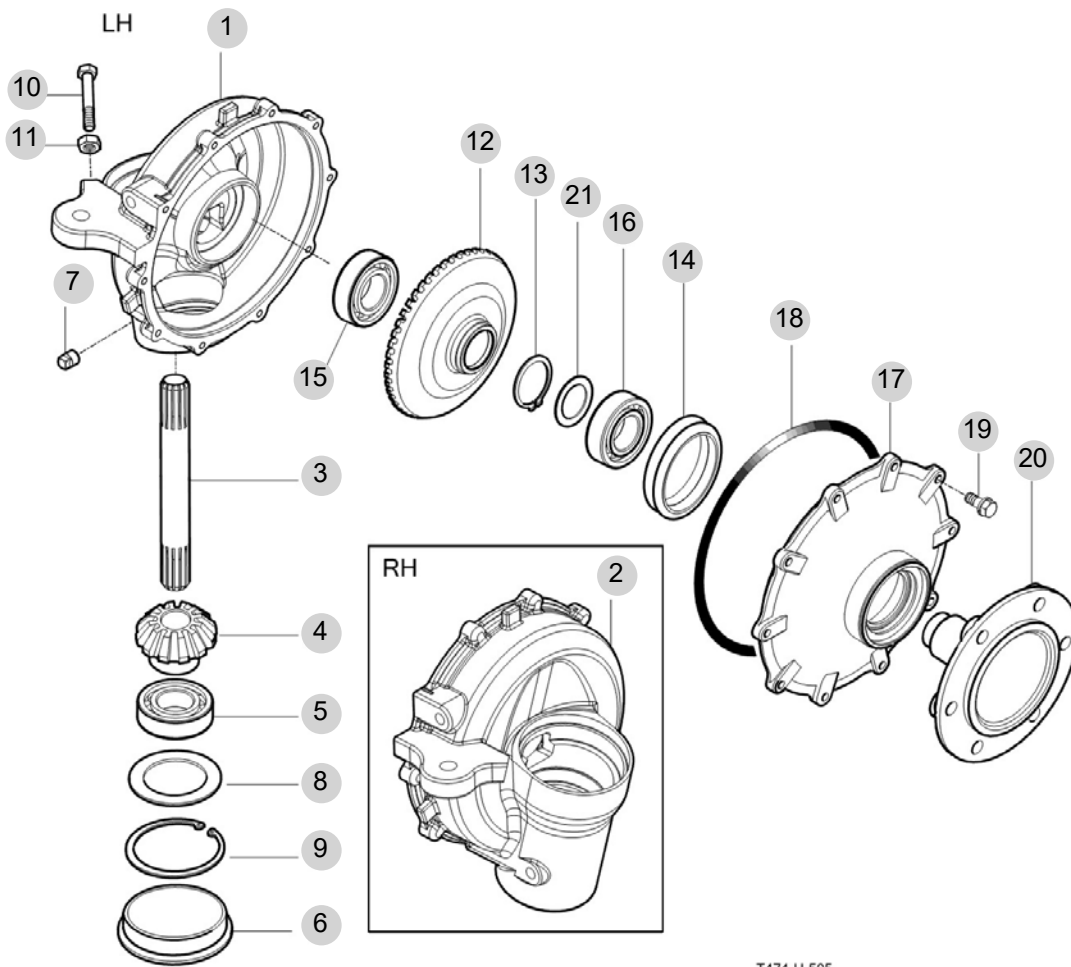
FIG 505

T475SHEU

FRONT GEAR CASE (2)

년/월
Year/Month

2022-12



T474-U-505

NOTE

6. 유압/3점링크 PART NO. T6

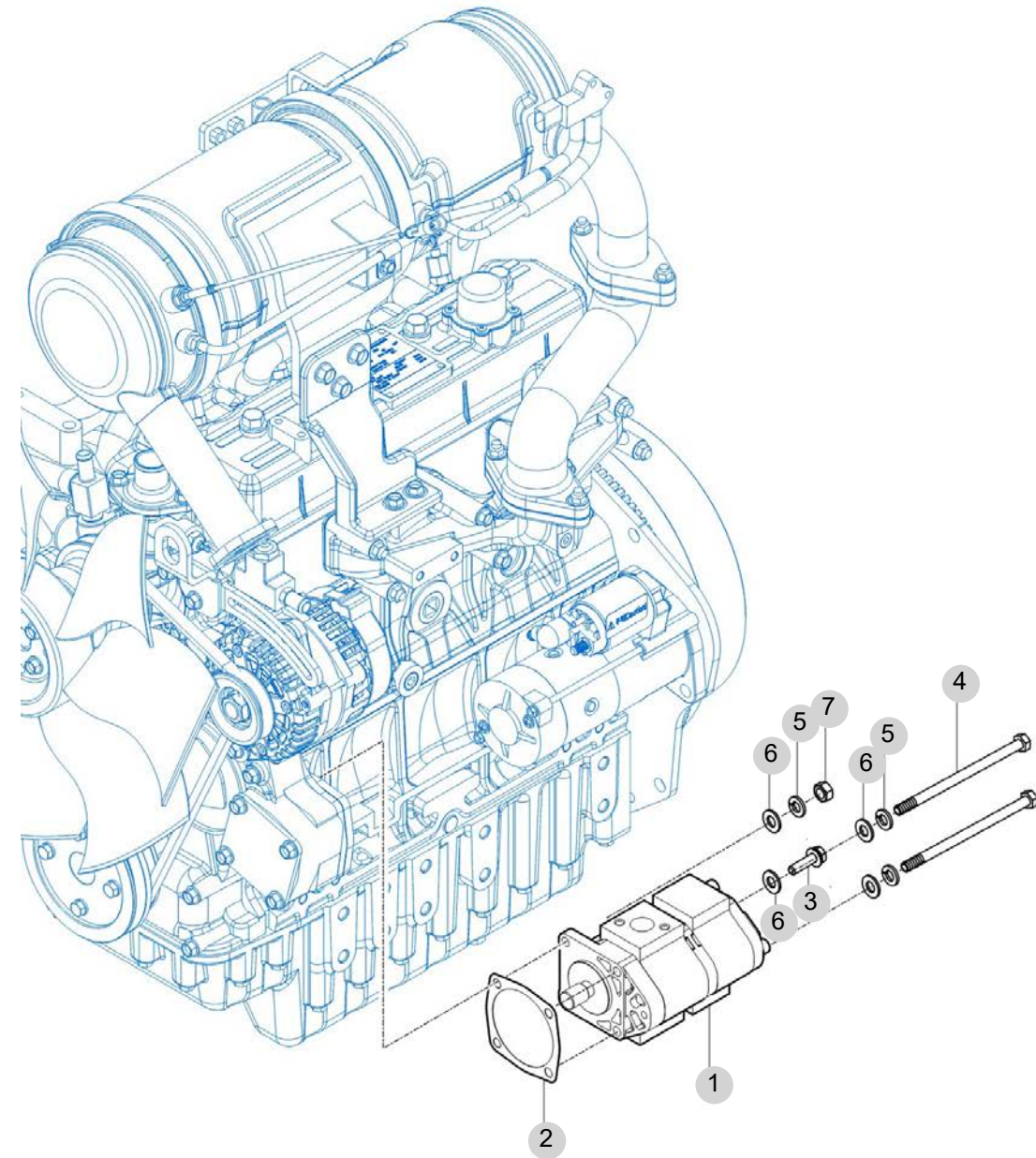
FIG 601 GEAR PUMP	172
FIG 602 CYLINDER CASE	174
FIG 603 LIFT ARM	176
FIG 604 CYLINDER	178
FIG 605 POSITION LINK (1)	180
FIG 606 POSITION LINK (2)	182
FIG 607 CONTROL VALVE	184
FIG 608 POSITION LEVER	186
FIG 609 HYDRAULIC PIPE (1)	188
FIG 610 HYDRAULIC PIPE (2)	191
FIG 611 EXTERIOR HYD. VALVE	193
FIG 612 3-POINT LINK	195
FIG 613 HITCH & COVER	198
FIG 614 EXTERIOR POSITION LEVER	200

FIG 601

GEAR PUMP

년/월
Year/Month

2022-12



NOTE

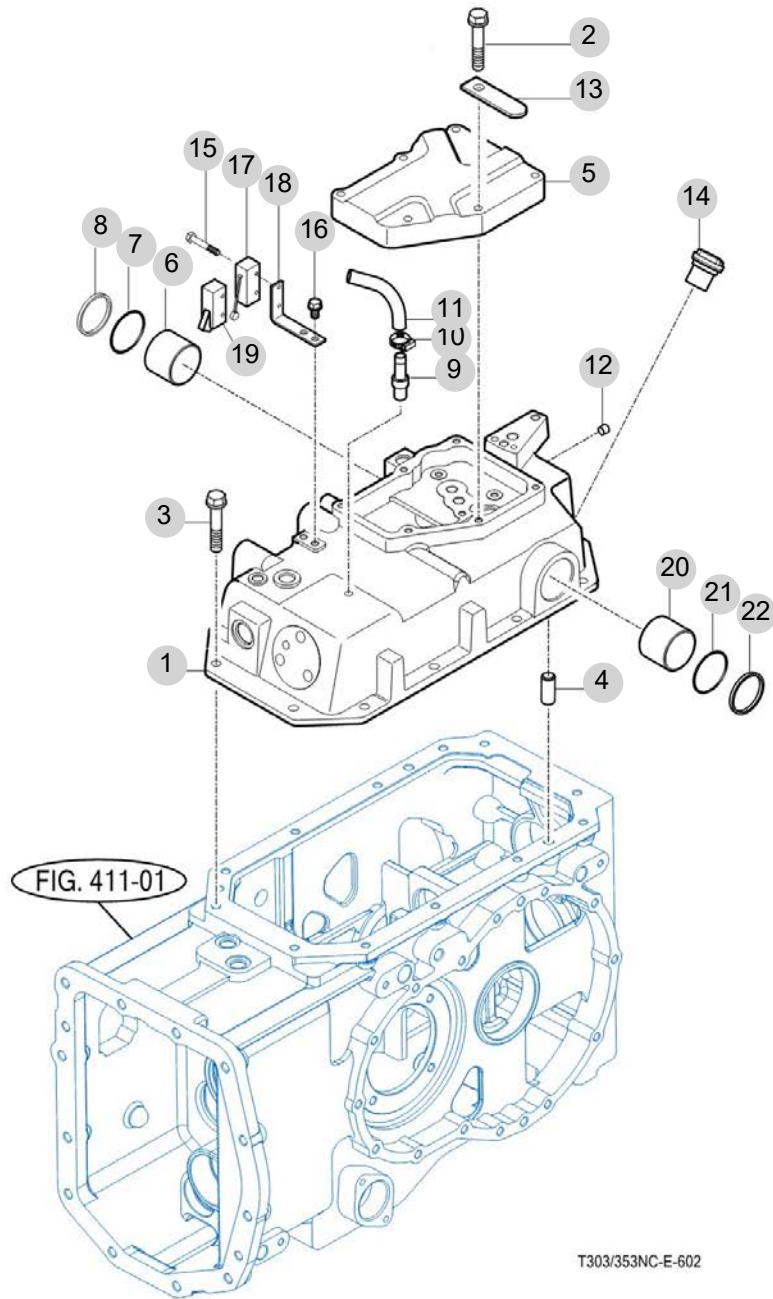
FIG 602

T475SHEU

CYLINDER CASE

년/월
Year/Month

2022-12



NOTE

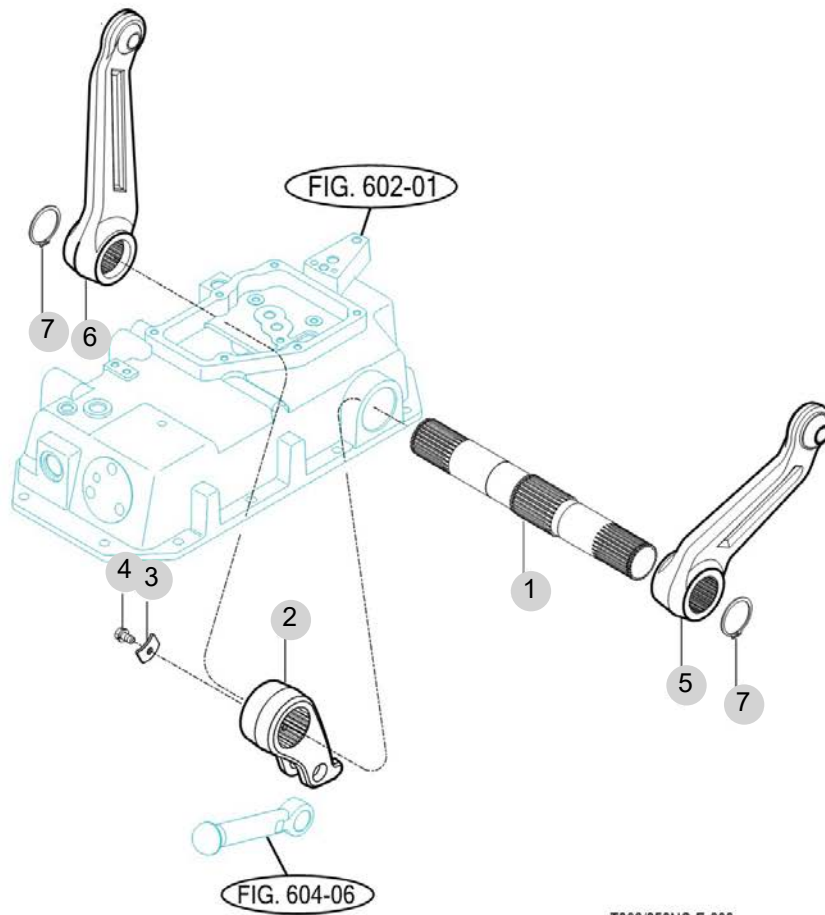
FIG 603

T475SHEU

LIFT ARM

년/월
Year/Month

2022-12



T303/353NC-E-603

NOTE

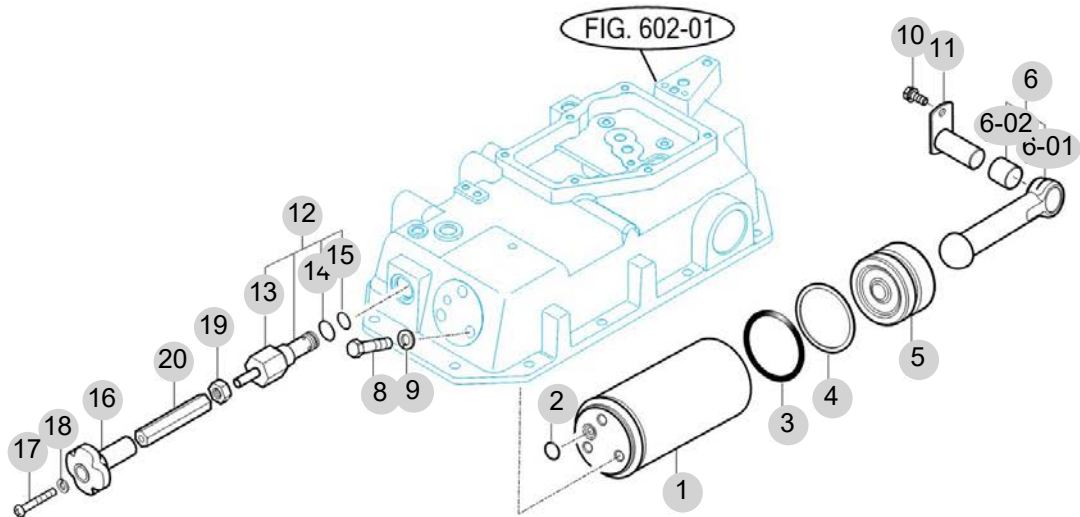
FIG 604

T475SHEU

CYLINDER

년/월
Year/Month

2022-12



T303/353NC-E-604

NOTE

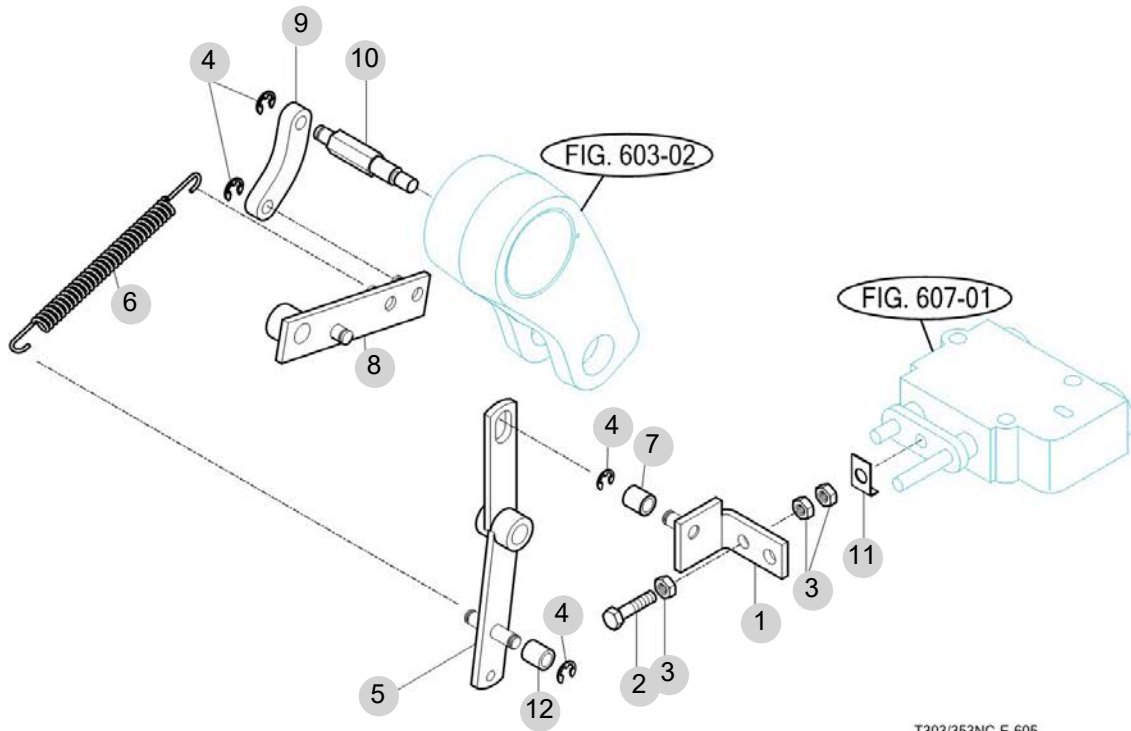
FIG 605

T475SHEU

POSITION LINK (1)

년/월
Year/Month

2022-12



T303/353NC-E-605

NOTE

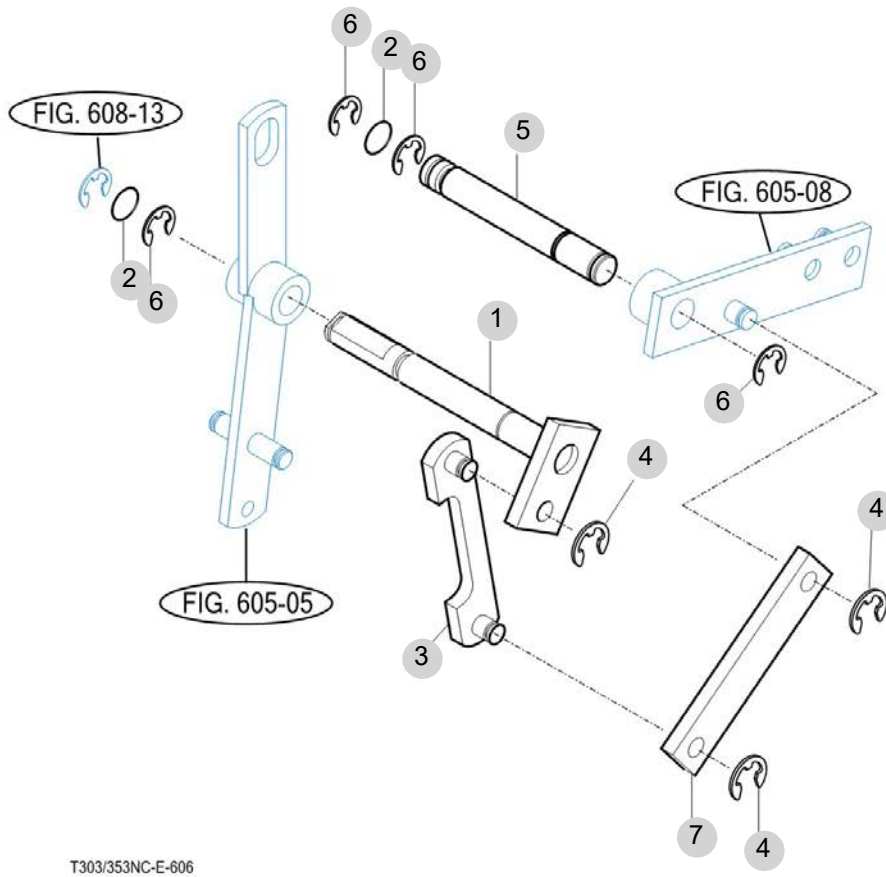
FIG 606

T475SHEU

POSITION LINK (2)

년/월
Year/Month

2022-12



T303/353NC-E-606

NOTE

FIG 606		POSITION LINK (2)						년/월 Year/Month	
T475SHEU								2022-12	
KEY NO	PART NO	DESCRIPTION	SPEC	QTY	REPAIR	EFFECTIVE DATE	REMARKS		
606	1	16705011201	샤프트(포지션)COMP						
606	2	V7201019009	O링(P)	P9					
606	3	17995060050	링크(B)COMP						
606	4	V7081400060	E형멈춤링	6					
606	5	16705010030	샤프트(드래프트)						
606	6	V7081400090	E형멈춤링	8					
606	7	17995060061	링크						
NOTE									

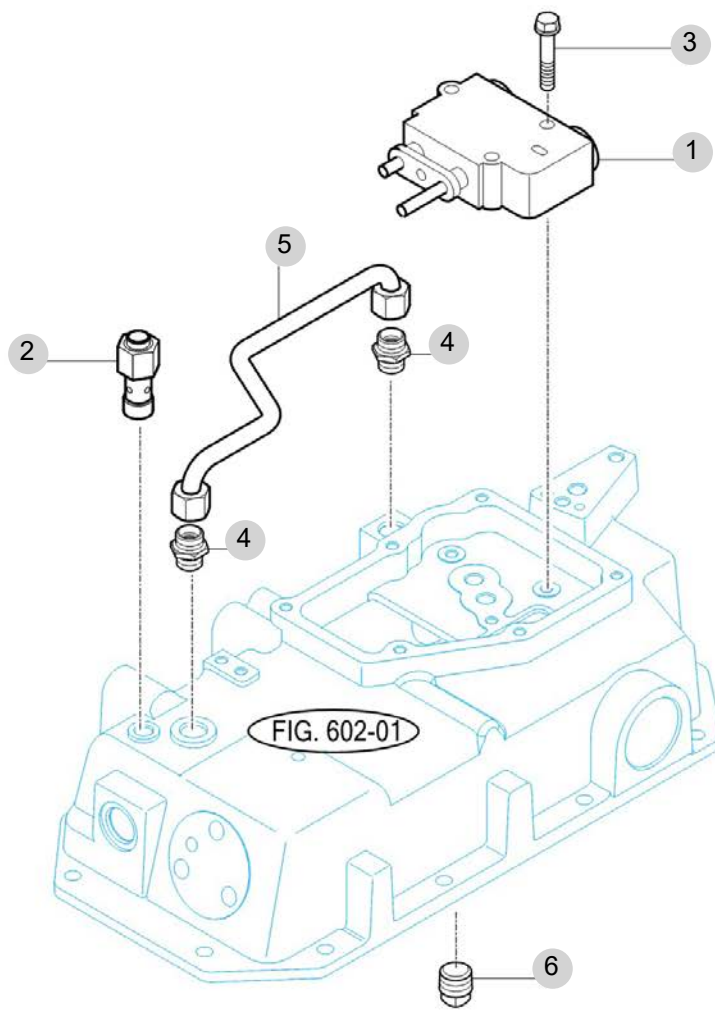
FIG 607

T475SHEU

CONTROL VALVE

년/월
Year/Month

2022-12



T303/353NC-E-607

NOTE

FIG 607 T475SHEU		CONTROL VALVE						년/월 Year/Month	
								2022-12	
KEY NO	PART NO	DESCRIPTION	SPEC	QTY	REPAIR	EFFECTIVE DATE	REMARKS		
607	1	17995050100	메인 컨트롤 밸브			1			
607	1	17995050101	밸브 , /메인 컨트롤			1			
607	2	16700070000	릴리프밸브ASSY			1			
607	3	V2173608045	소형육각볼트보통(S)	M8X45		3			
607	4	16705060060	유니온			2			
607	5	16705062400	파이프(실린더) COMP			1			
607	6	V7811600006	플러그(사각테이퍼)	R3/8		1			
NOTE									

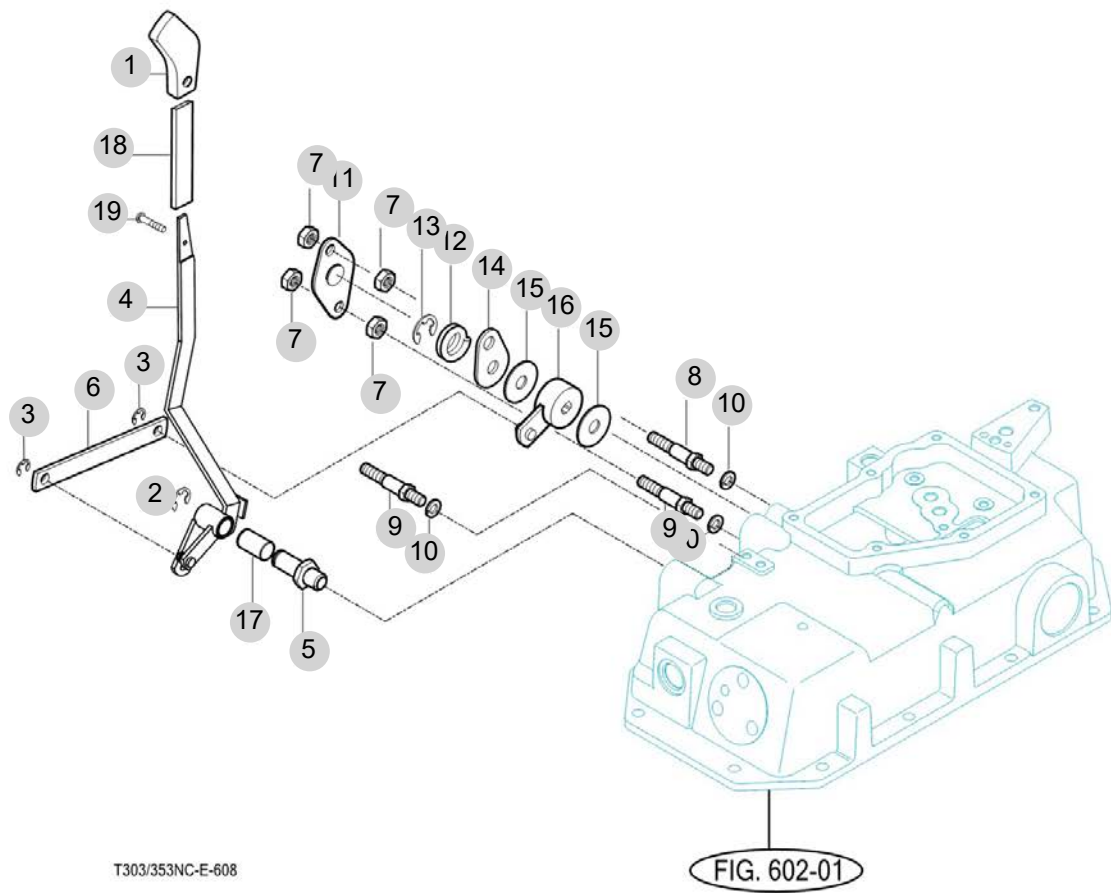
FIG 608

T475SHEU

POSITION LEVER

년/월
Year/Month

2022-12



NOTE

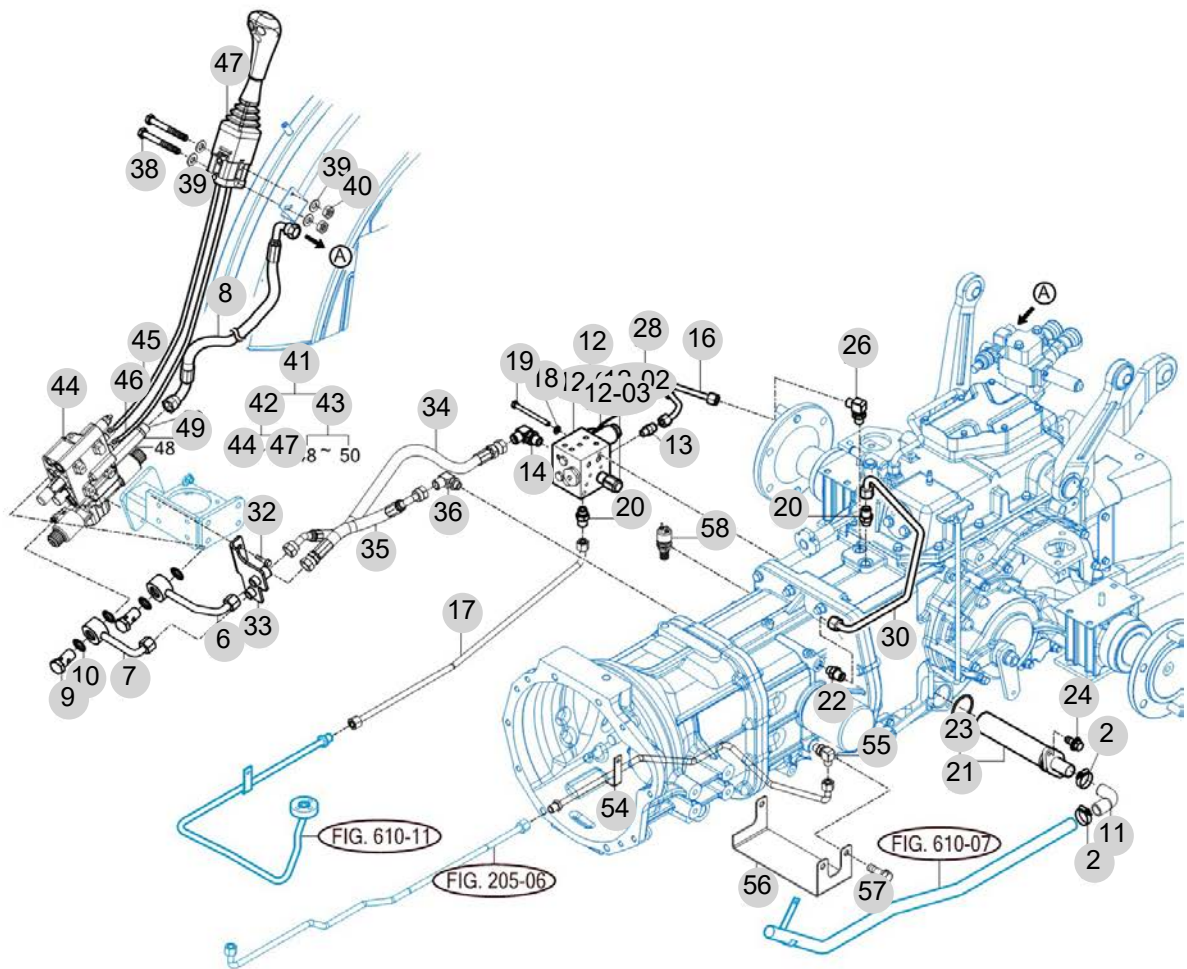
FIG 609

HYDRAULIC PIPE (1)

년/월
Year/Month

T475SHEU

2022-12



NOTE

FIG 609		HYDRAULIC PIPE (1)					년/월	
							Year/Month	
T475SHEU		2022-12						
KEY NO	PART NO	DESCRIPTION	SPEC	QTY	REPAIR	EFFECTIVE DATE	REMARKS	
609	2	18027090400	밴드 클램프 40 홀식		2			
609	6	13835412101GB	로더 파이프 COMP , P		1			
609	6	13835412102GB	로더 파이프 COMP , P		1			
609	7	13835412201GB	로더 파이프 COMP , T		1			
609	7	13835412202GB	로더 파이프 COMP , T		1			
609	8	13835152330	유압호스(1400)ASSY		1			
609	9	19555410082	아이 조인트 볼트 (PF1/2)		2			
609	9	13875410082	아이 조인트 볼트 (PF1/2)		2			
609	10	19557753010	분디드 씰 , PF1/2		4			
609	11	17405100011	엘보 호스		1			
609	12	14835182001	PTO밸브ASSY		1			
609	12-01	14725182101	PTO 밸브		1			
609	12-02	15640090001	릴리프밸브 ASSY		1			
609	12-03	14725182210	슬레노이드 코일		1			
609	13	14444080062	콘넥터		1			
609	14	17407362300	엘보(PF3/8,PF1/2)		1			
609	16	12385204200	PTO 파이프 COMP		1			
609	17	12385204701	딜리버리 파이프 COMP		1			
609	18	V4011600080	스프링와셔	M8	3			
609	19	V2013608090	소형육각볼트(보통)	M8X90	3			
609	20	16995304000	유니온(오링)		2			
609	21	16705105000	흡입필터 ASSY		1			
609	22	12385304000	유니온(M18 , PF3/8, 0.6 orifice)		1			
609	23	V7211031045	O링(G)	G45	1			
609	24	V2183610025	소형육각볼트보통(SP)	M10X25	2			
609	26	16705100100	엘보(PF3/8XM16)		1			
609	28	13267060022	드레인플러그		1			
609	30	12385204300	PTO 클러치 파이프 COMP		1			
609	32	V2173608016	소형육각볼트보통(S)	M8X16	2			
609	33	13835413101GB	로더 브래킷 COMP		1			
609	34	17685162201	유압호스(550)ASSY		1			
609	34	12644072600	유압호스(600)ASSY		1			
609	35	15895413200	유압호스(380)ASSY		1			
609	35	13835152200	유압호스(330)ASSY		1			
609	35	13835152201	유압호스(420)ASSY		1			
609	36	17407362300	엘보(PF3/8,PF1/2)		1			
609	36	17995161130	유니온(PF3/8,PF1/2)		1			
609	38	V2173608085	소형육각볼트보통(S)	M8X85	2			
609	39	V4111600080	평와셔	M8	4			
609	40	V3042600080	소형육각너트보통2종	M8	2			
609	41	13837753000	로더밸브 SUB		1			
609	42	13837752000	로더밸브 조이스틱 ASSY		1			
609	43	13835163000	라인필터 ASSY		1			
609	44	13877752100	로더밸브 ASSY		1			
609	45	13837752300	조이스틱 케이블 ASSY(660)		1			
NOTE								

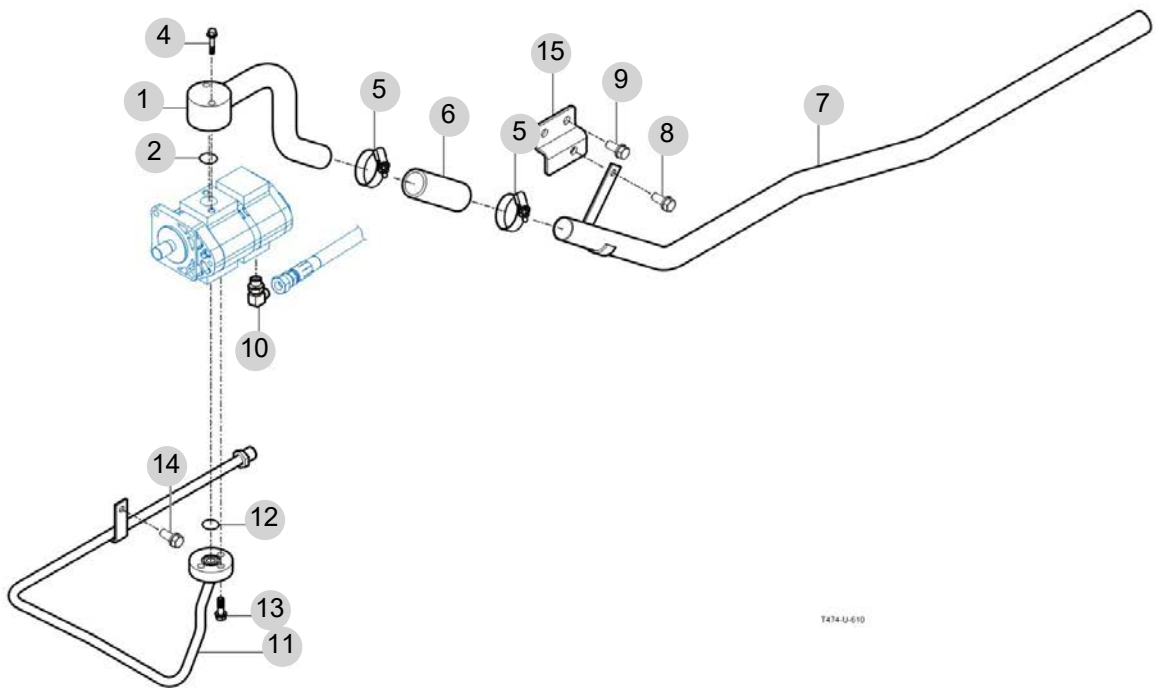
FIG 610

HYDRAULIC PIPE (2)

년/월
Year/Month

T475SHEU

2022-12



T474-U-610

NOTE

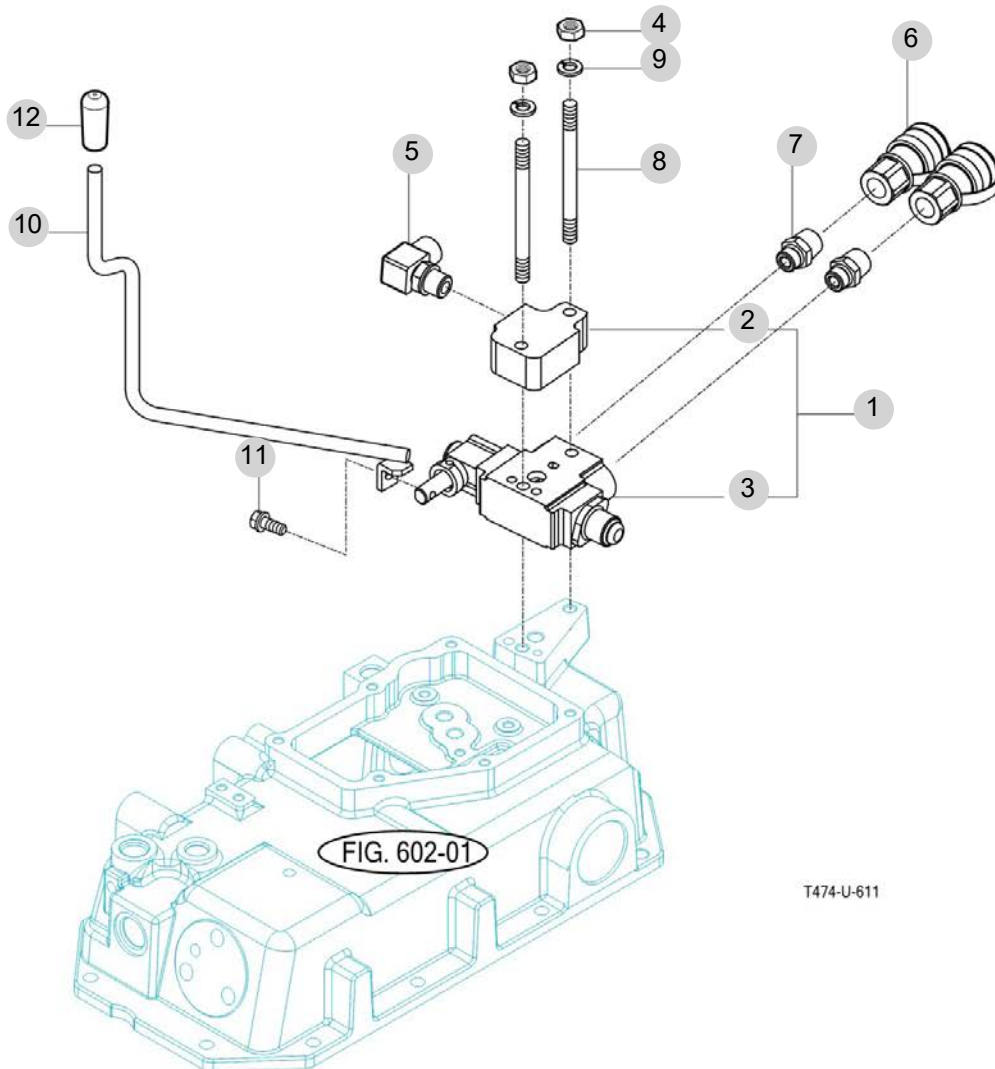
FIG 611

T475SHEU

EXTERIOR HYD. VALVE

년/월
Year/Month

2022-12



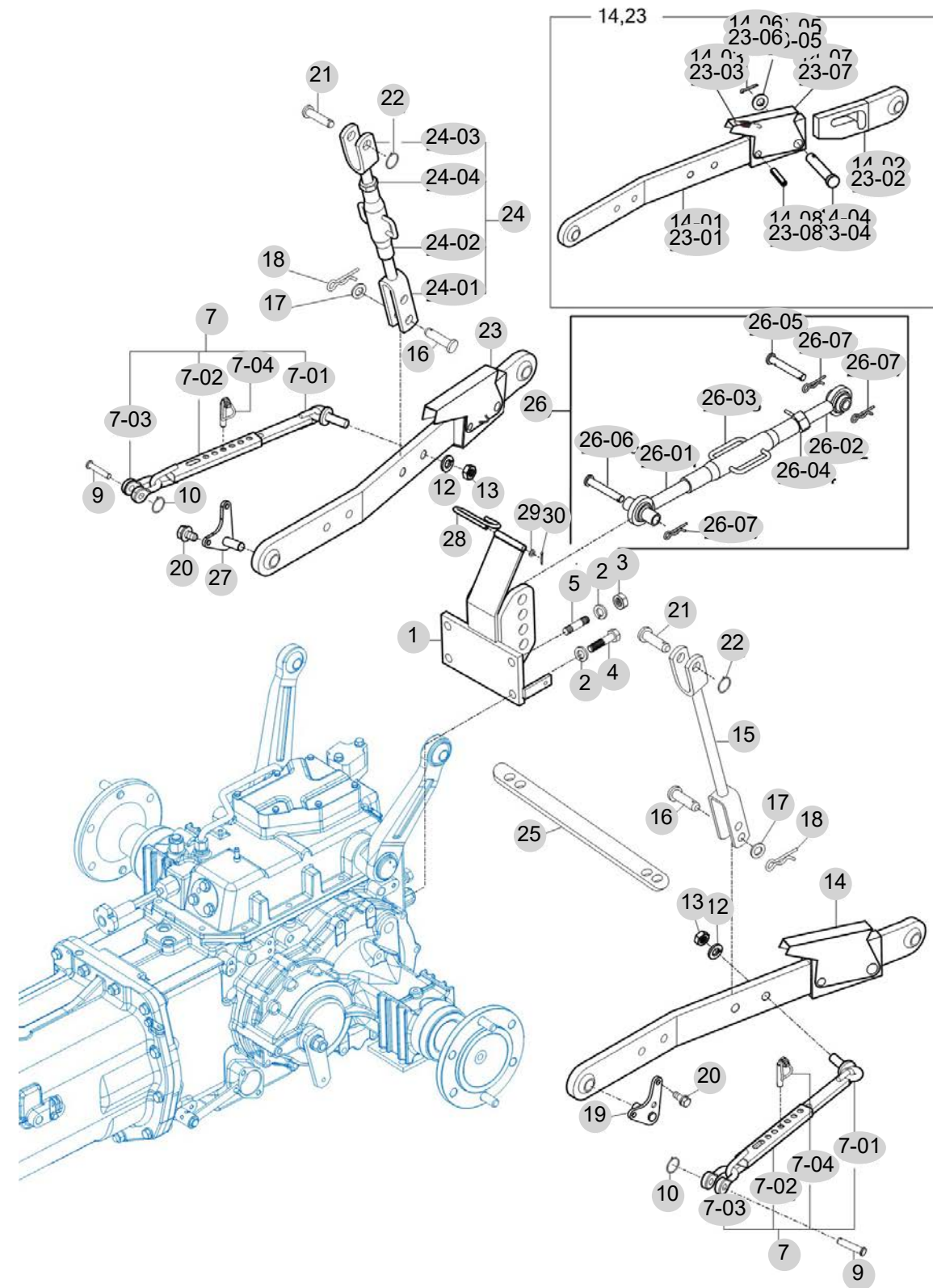
NOTE

FIG 612

3-POINT LINK

년/월
Year/Month

2022-12



NOTE

FIG 612		3-POINT LINK					년/월 Year/Month		
							2022-12		
T475SHEU		KEY NO	PART NO	DESCRIPTION	SPEC	QTY	REPAIR	EFFECTIVE DATE	REMARKS
612	1	12393172000GB	톱링크 브래킷 COMP			1			
612	2	V4011600140	스프링와셔	M14		4			
612	3	V3043600140	소형육각너트보통2종	M14		2			
612	4	V2014614035	소형육각볼트(보통)			2			
612	5	V2514414030	스터드볼트2종	M14X30		2			
612	7	10525142500	체인(체크) 조합			2			
612	7-01	10525142520	체크바 조합			2			
612	7-02	10525142510	체크소켓조합			2			
612	7-03	16705142520	체크체인 샤클			2			
612	7-04	17705254200	린치핀	M14		2			
612	9	79636110030	핀(12X48)			2			
612	10	16735240060	스프링(45)			2			
612	12	V4011600160	스프링와셔	M16		2			
612	13	V3013600160	육각너트보통2종	M16		2			
612	14	10525262300GB	로어링크ASSY(LH)			1			
612	14	10525262301GB	하부 링크 ASSY , LH			1			
612	14-01	10525262310	하부링크 SUB , LH/FR			1			
612	14-02	10525262320	하부링크 SUB , LH/RR			1			
612	14-03	15155262330	인장 스프링			1			
612	14-04	15155262340	핀 ,22X56			1			
612	14-05	V4111600220	평와셔	M22		1			
612	14-06	V5001940035	분할핀	4X35		1			
612	14-07	15155262350	손잡이			1			
612	14-08	15155262360	스프링핀			1			
612	15	10525243000GB	리프트로드(LH) COMP			1			
612	16	15605260014	핀(16X51)			2			
612	17	V4111600160	평와셔	M16		2			
612	18	V5601600160	스냅핀			2			
612	19	12385142200	핀(LH) COMP			2			
612	20	V2173612030	소형육각볼트보통(S)	M12X30		4			
612	21	16735243500	핀			2			
612	22	16735240060	스프링(45)			2			
612	23	10525262200GB	로어링크ASSY(RH)			1			
612	23	10525262201GB	하부 링크 ASSY , RH			1			
612	23-01	10525262210	하부링크 SUB , RH/FR			1			
612	23-02	10525262220	하부링크 SUB , RH/RR			1			
612	23-03	15155262330	인장 스프링			1			
612	23-04	15155262340	핀 ,22X56			1			
612	23-05	V4111600220	평와셔	M22		1			
612	23-06	V5001940035	분할핀	4X35		1			
612	23-07	15155262350	손잡이			1			
612	23-08	15155262360	스프링핀			1			
612	24	10525244000GB	리프트로드(RH)ASSY			1			
612	24-01	10525145200	포크(하)COMP			1			
612	24-02	16705145100	슬리브 COMP			1			
NOTE									

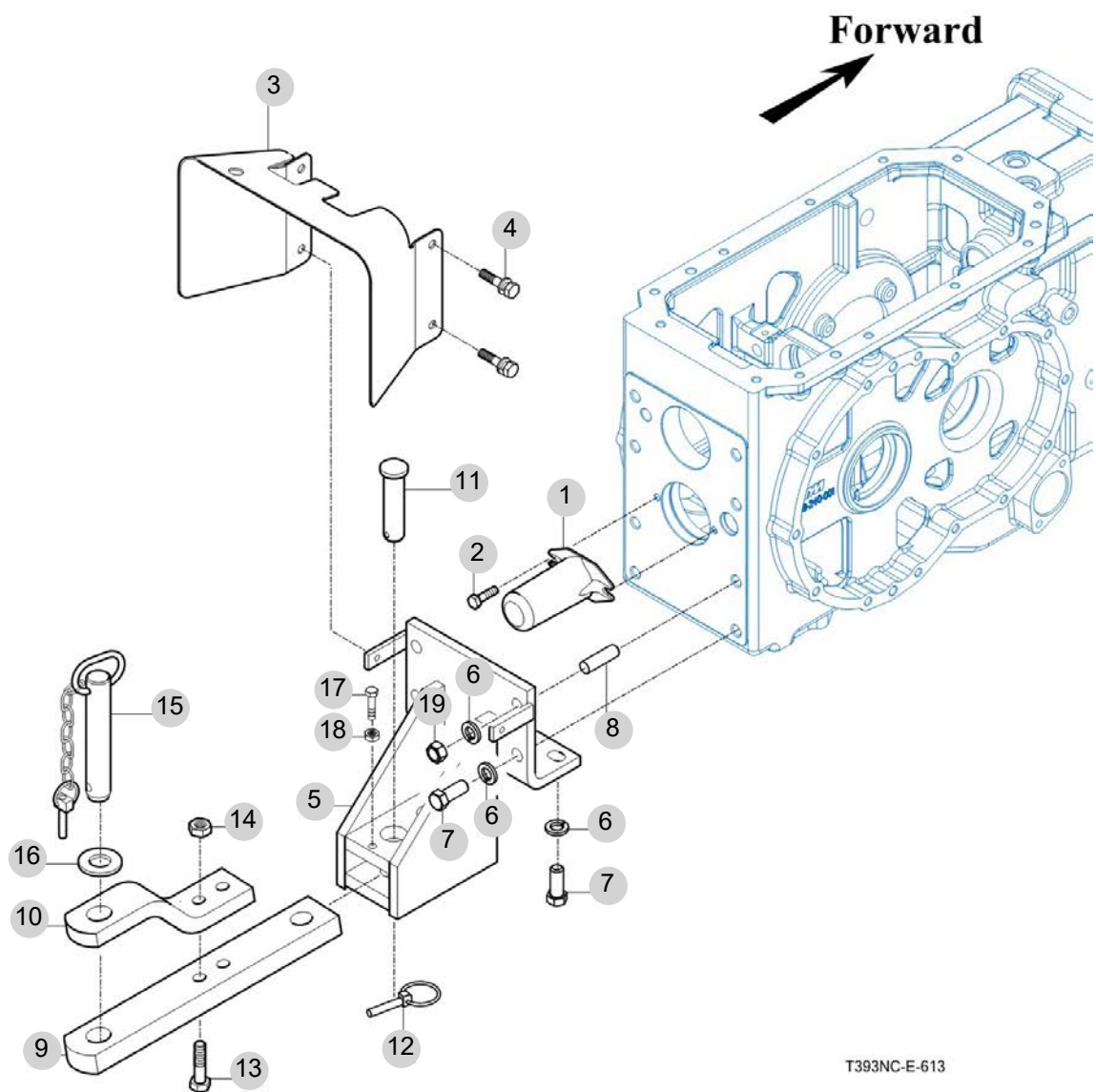
FIG 613

HITCH & COVER

년/월
Year/Month

2022-12

T475SHEU



NOTE

FIG 614 T475SHEU	EXTERIOR POSITION LEVER	년/월 Year/Month 2022-12
---------------------	-------------------------	------------------------------



NOTE	
------	--

7. 시트메탈/캐빈 PART NO. T7

FIG 701 HOOD FRAME	203
FIG 702 HOOD	206
FIG 703 EXTENSION COVER	209
FIG 705 DASH PANEL	211
FIG 708 FRONT & REAR MOUNTING	213
FIG 709 SEAT & MAT	215
FIG 710 DOOR	217
FIG 711 FRONT GLASS	220
FIG 712 REAR GLASS	222
FIG 713 SUB FENDER & COVER	224
FIG 714 MIRROR	226
FIG 715 HEATER & AIR-CON	228
FIG 716 HEATER & AIR-CON	230
FIG 717 FENDER COVER	232
FIG 718 ROOF	234
FIG 719 CABIN INTERIOR	236

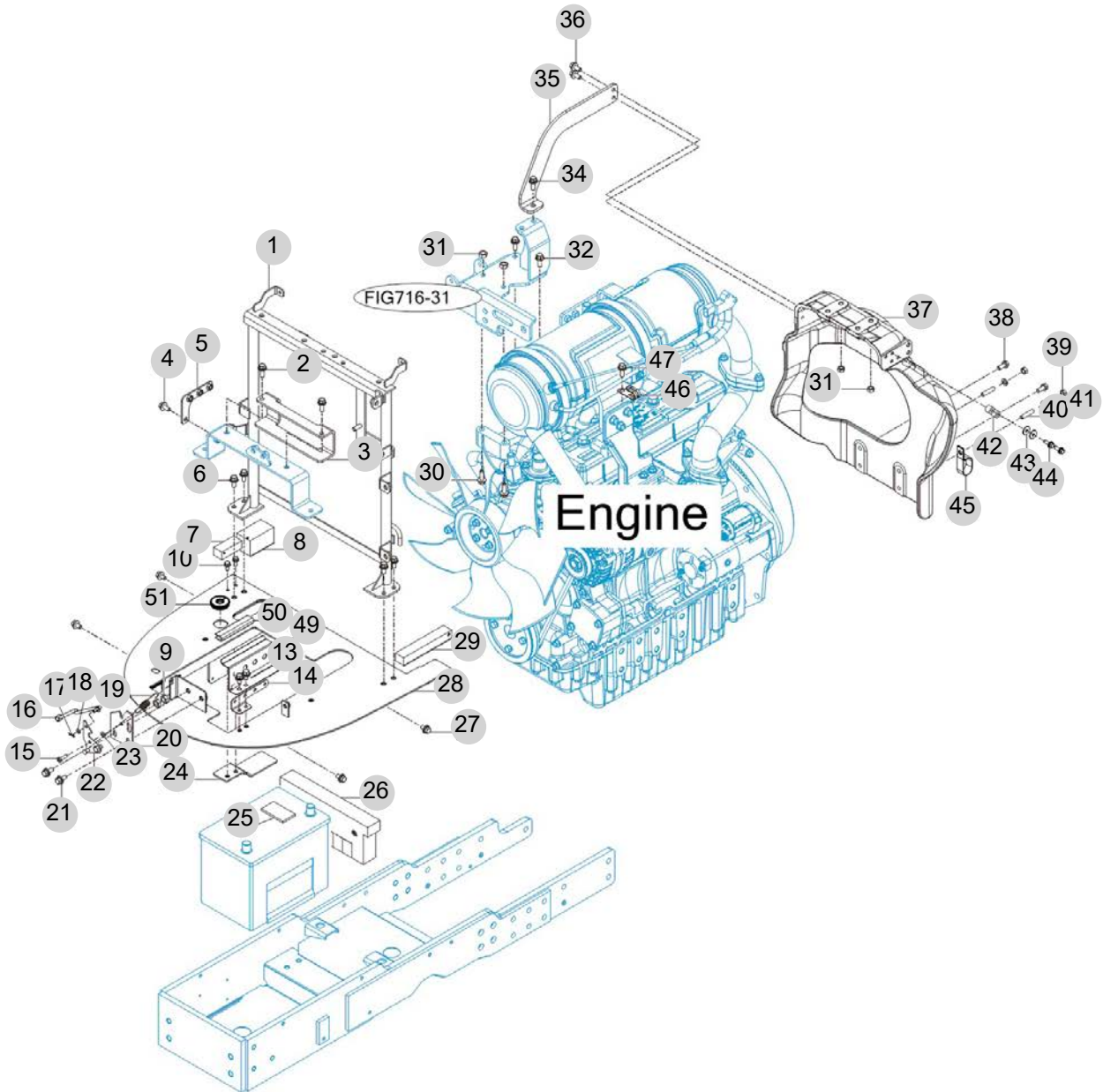
FIG 701

T475SHEU

HOOD FRAME

년/월
Year/Month

2022-12



NOTE

FIG 701		HOOD FRAME					년/월 Year/Month	
T475SHEU		2022-12						
KEY NO	PART NO	DESCRIPTION	SPEC	QTY	REPAIR	EFFECTIVE DATE	REMARKS	
701	1	13831031100GB	프레임 COMP , 프런트					
701	2	V2183608020	소형육각볼트보통(SP)	M8X20	2			
701	3	13831811400GB	브래킷, 배터리 고정		1			
701	3	13831811500GB	브래킷 COMP , 배터리		1			
701	4	V2183608020	소형육각볼트보통(SP)	M8X20	1			
701	5	13831613200GB	브래킷 COMP , 릴레이		1			
701	6	V2183608020	소형육각볼트보통(SP)	M8X20	4			
701	7	13831030700	인슐레이터 , B		1			
701	8	13831030800	인슐레이터 , C		1			
701	9	V3013600060	육각너트보통2종	M6	2			
701	10	V2123606016	육각볼트(SP)	M6X16	2			
701	13	V2183606016	소형육각볼트보통(SP)	M6X16	2			
701	14	13831613400GB	브래킷, 퓨즈		1			
701	15	V2323606020	십자홈육각볼트(SP)		1			
701	16	10986024300	로드 COMP, OPEN		1			
701	17	V5001925020	핀		1			
701	18	V4111600060	평와셔	M6	1			
701	19	14143120020	텐션스프링 (53)		1			
701	19	11106020010	인장스프링(40)		1			
701	20	11106024210	후드스테이(B)		1			
701	21	V2183608020	소형육각볼트보통(SP)	M8X20	2			
701	22	11106024100	스테이(후드 A) COMP		1			
701	23	V4111600060	평와셔	M6	1			
701	24	13831052200GB	브래킷 COMP , 커버		1			
701	25	13151112011	인슐레이터(40X70)		1			
701	26	13831030500	인슐레이터 , 그릴플레이트		1			
701	27	V2183608016	소형육각볼트보통(SP)	M8X16	4			
701	28	10981052100GB	플레이트 COMP , 그릴		1			
701	29	13831030600	인슐레이터 , A		1			
701	30	V2173610055	소형육각볼트보통(S)	M10X55	2			
701	31	V3042600100	소형육각너트보통2종	M10	4			
701	32	V2183610025	소형육각볼트보통(SP)	M10X25	2			
701	34	V2183608025	소형육각볼트보통(SP)	M8X25	1			
701	35	13831811200GB	지지대		1			
701	36	V2183608020	소형육각볼트보통(SP)	M8X20	2			
701	37	13831811100GB	엔진 리어 서포트		1			
701	38	V2173608025	소형육각볼트보통(S)	M8X25	2			
701	39	V3042600080	소형육각너트보통2종	M8	2			
701	40	V2513408025	스터드볼트2종		2			
701	41	V4011600080	스프링와셔	M8	2			
701	42	13831811300	스페이서		2			
701	43	V4111600060	평와셔	M6	2			
701	44	V2113606040	육각볼트(S)	M6X40	2			
701	45	14441010161	라디에이터호스클램프		1			
701	46	14256210040	하니스클램프(9)		1			
NOTE								

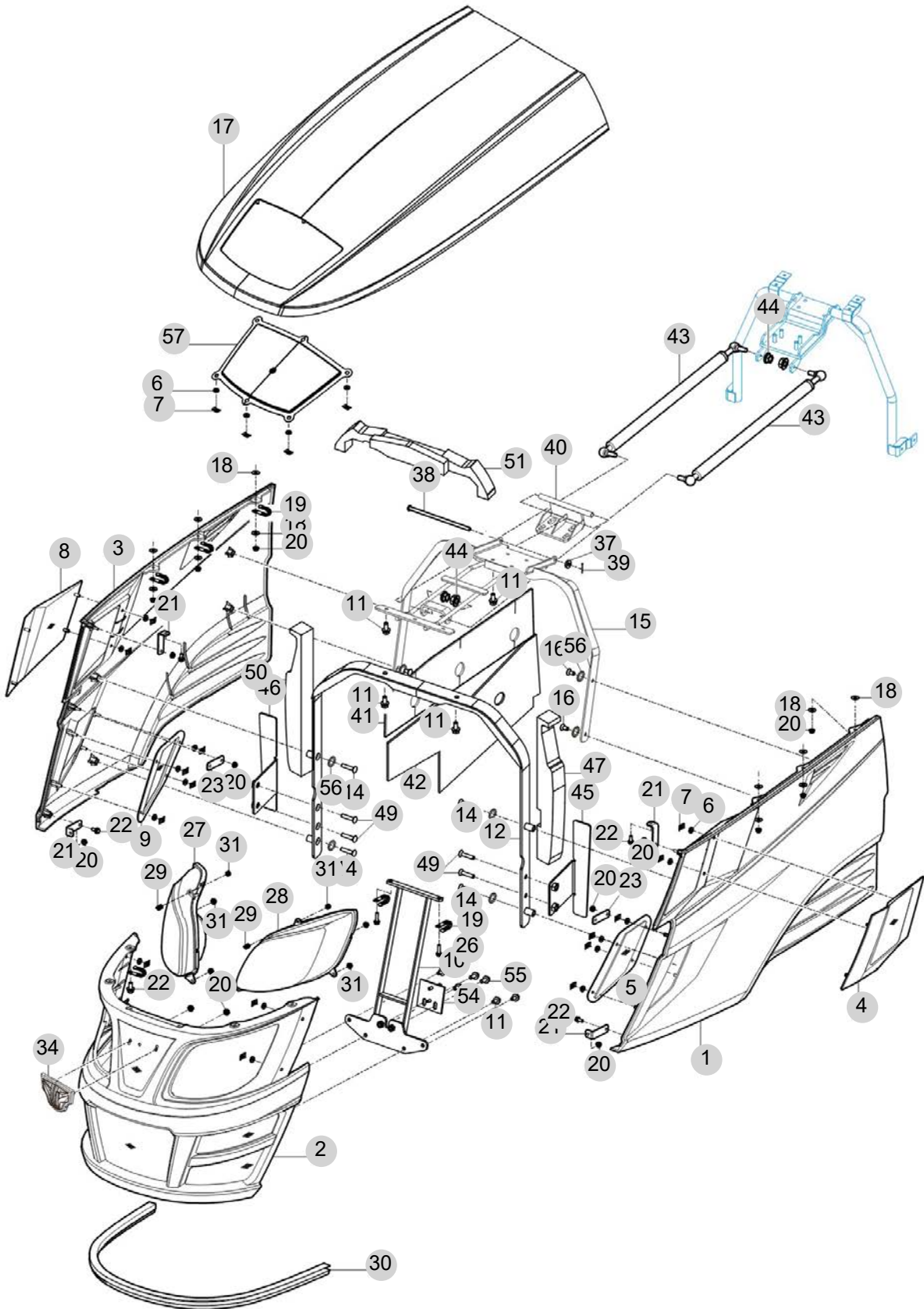
FIG 702

HOOD

년/월
Year/Month

2022-12

T475SHEU



NOTE

FIG 702		HOOD					년/월 Year/Month		
							2022-12		
T475SHEU		KEY NO	PART NO	DESCRIPTION	SPEC	QTY	REPAIR	EFFECTIVE DATE	REMARKS
702	1	17406203301SR	사이드 커버 COMP , 좌			1			
702	1	17406203302SR	사이드 커버 COMP , 좌			1			
702	1	17406203303SR	사이드 커버 COMP , 좌			1			
702	2	17406203200GB	그릴 COMP			1			
702	2	17406203201GB	그릴 COMP			1			
702	3	17406203401SR	사이드 커버 COMP , 우			1			
702	3	17406203402SR	사이드 커버 COMP , 우			1			
702	3	17406203403SR	사이드 커버 COMP , 우			1			
702	4	17406203500GB	네트 , 상/좌			1			
702	5	17406203600GB	네트 , 하/좌			1			
702	6	14446010150	네트와샤(6X14X3)			22			
702	7	V3501600060	스프링 너트			22			
702	8	17406203700GB	네트 , 상/우			1			
702	9	17406203800GB	네트 , 하/우			1			
702	10	18366202500GB	핀 COMP , 후드락			1			
702	11	V2183608020	소형육각볼트보통(SP)	M8X20		13			
702	12	13836202300GB	프레임 COMP , 전			1			
702	14	V1122608040	십자홈접시작은나사			4			
702	15	17406202700GB	후드 프레임 COMP , 후			1			
702	15	13836202700GB	후드 프레임 COMP , 후			1			
702	15	13836202701GB	후드 프레임 COMP , 후			1			
702	16	V1122608016	십자홈접시작은나사			4			
702	17	13836213100SR	후드 COMP			1			
702	17	13836213101SR	후드 COMP			1			
702	17	13836213102SR	후드 COMP			1			
702	18	35605033020	와이어인출용와셔			12			
702	19	37371720090	메인하니스 클램프(하)			6			
702	20	V3802600060	플랜지붙이육각너트			16			
702	21	17406203011GB	플레이트 , 상/사이드			4			
702	21	17406203010GB	플레이트 , 상/사이드			4			
702	22	V2123606016	육각볼트(SP)	M6X16		8			
702	23	17406203020GB	플레이트 , 중/사이드			2			
702	26	V2123606025	육각볼트(SP)	M6X25		2			
702	27	17406525001	헤드램프 ASSY , 우			1			
702	28	17406524001	헤드램프 ASSY , 좌			1			
702	29	36108010080	중자출구스프링(HC016)			2			
702	30	17406203900	인슐레이터 , 후드			1			
702	31	19027210060	나일론너트(M6)			6			
702	34	19959010011	엠블럼			1			
702	34	17406212000	엠블럼 ASSY , V5			1			
702	37	V4111600080	평와셔	M8		1			
702	38	13016202060	후드 핀			1			
702	39	V5001925020	핀			1			
702	40	13836202800GB	플레이트 COMP , 후드 힌지			1			
702	41	13836202420	인슐레이터 , 사이드 후/좌			1			
NOTE									

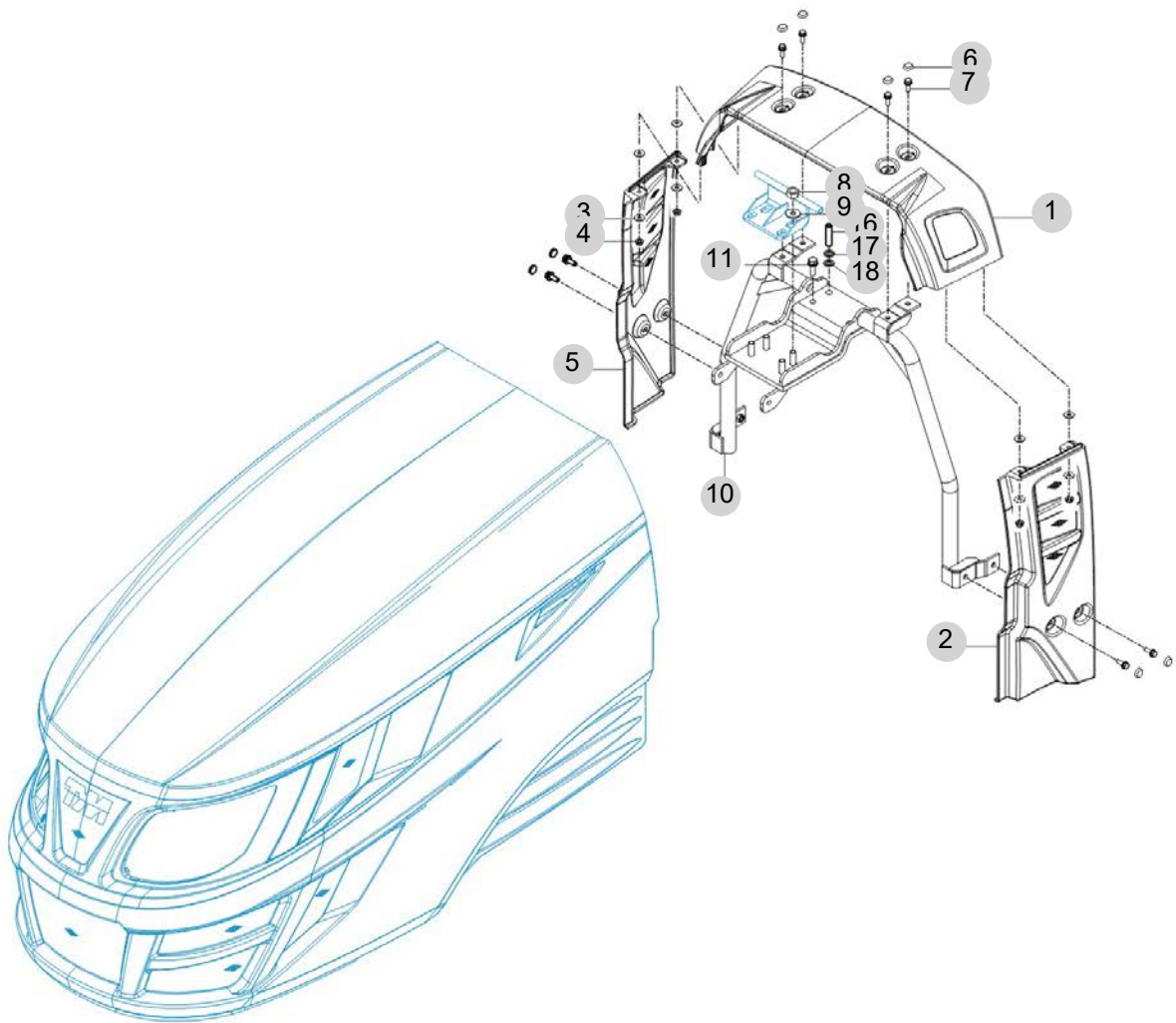
FIG 703

T475SHEU

EXTENSION COVER

년/월
Year/Month

2022-12



NOTE

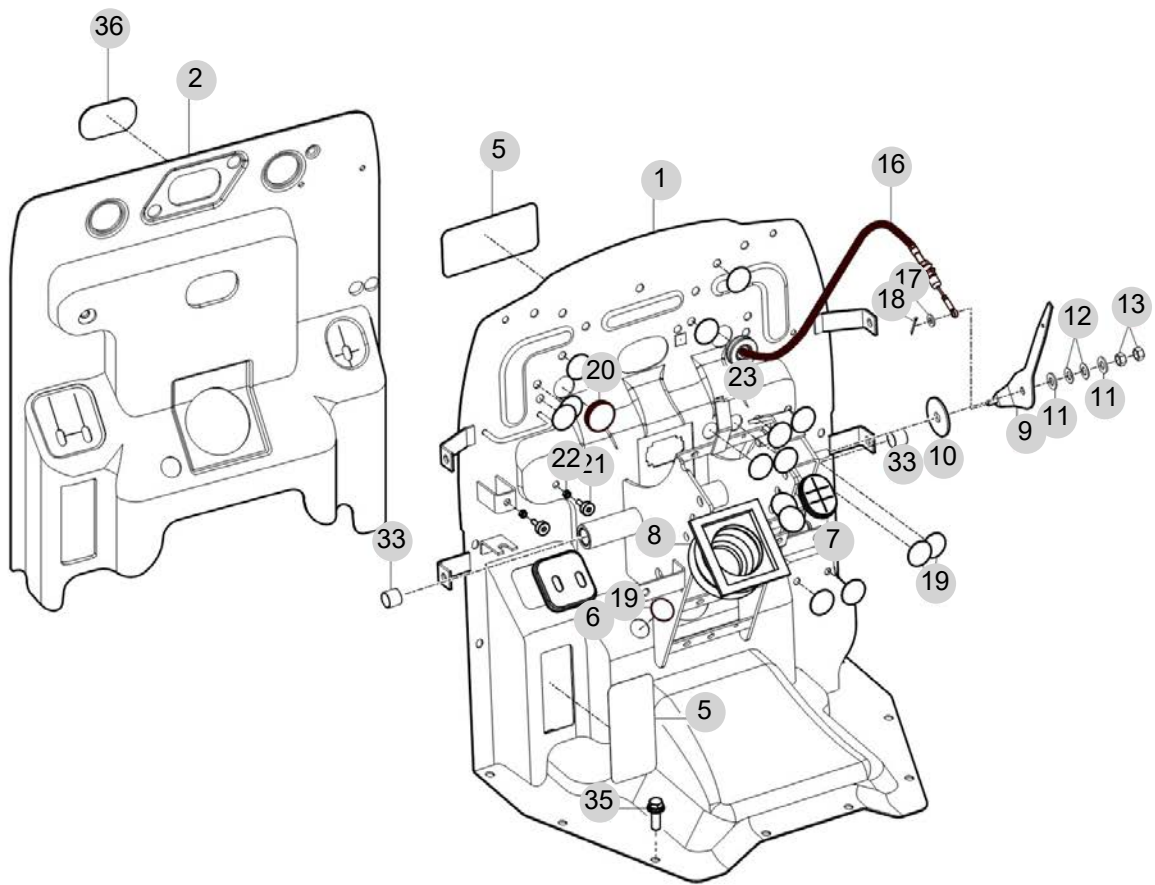
FIG 705

T475SHEU

DASHBOARD

년/월
Year/Month

2022-12



NOTE

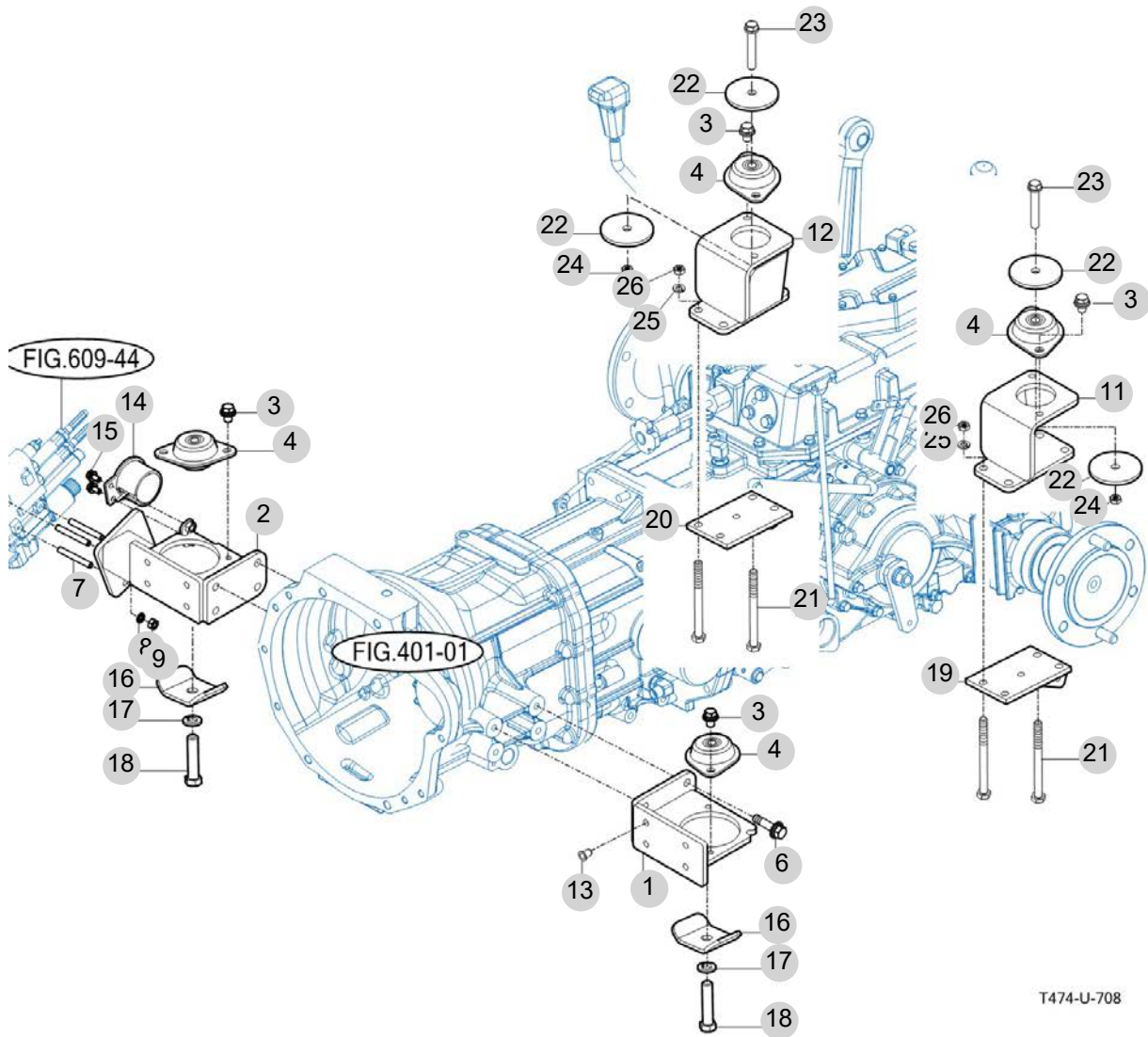
FIG 708

T475SHEU

FRONT & REAR MOUNTING

년/월
Year/Month

2022-12



T474-U-708

NOTE

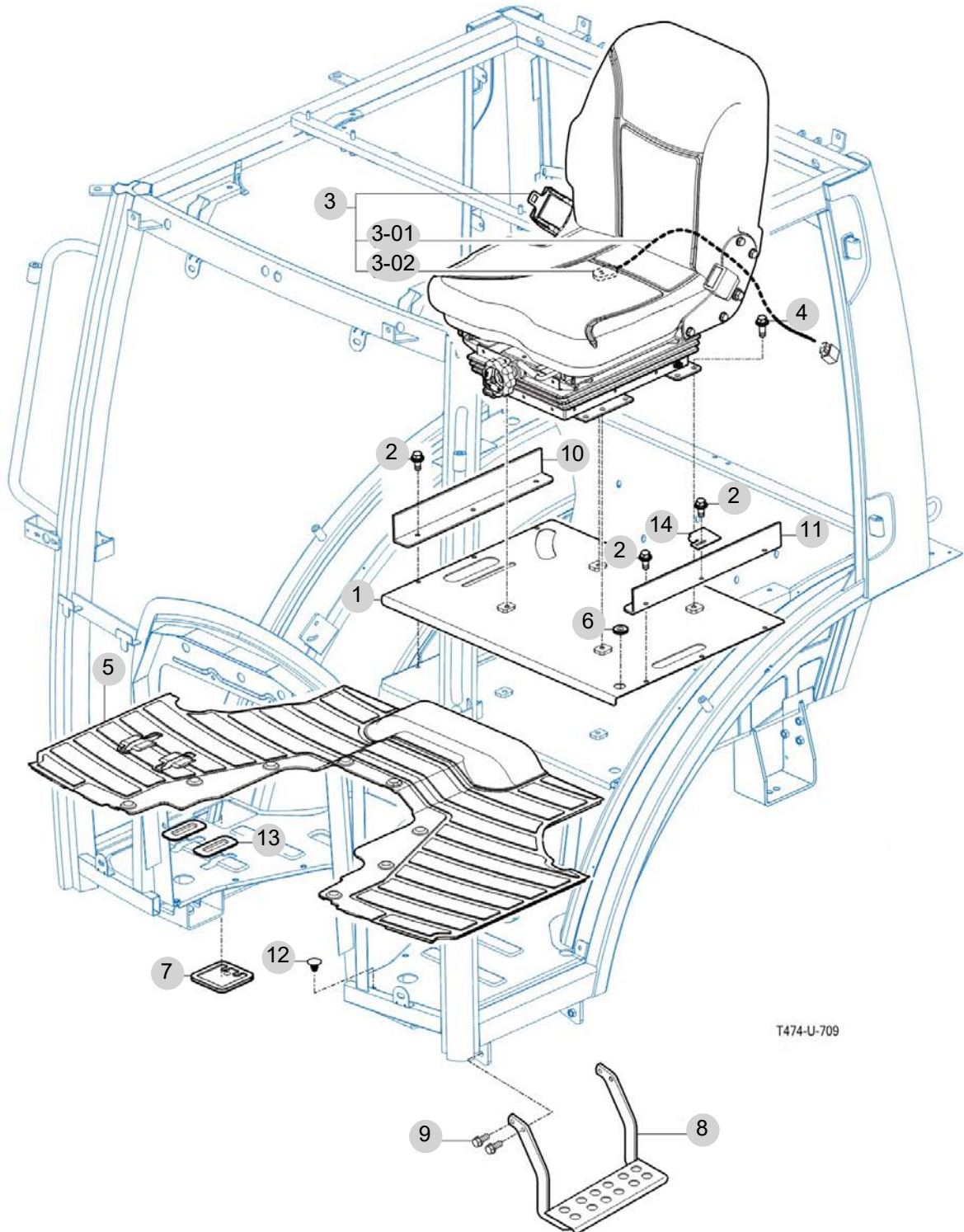
FIG 709

SEAT & MAT

년/월
Year/Month

2022-12

T475SHEU



NOTE

FIG 709		SEAT & MAT						년/월 Year/Month	
								2022-12	
T475SHEU		KEY NO	PART NO	DESCRIPTION	SPEC	QTY	REPAIR	EFFECTIVE DATE	REMARKS
709	1	12397012300	시트 패널 COMP			1			
709	2	V2183608020	소형육각볼트보통(SP)	M8X20		8			
709	3	12136112001	시트 ASSY			1			
709	4	V2183608020	소형육각볼트보통(SP)	M8X20		4			
709	5	12396310010	플로어 매트			1			
709	6	37371540030	시트 쿠션			1			
709	7	12397750030	조이스틱 크로메트			1			
709	8	16606062603SR	스텝 COMP			1			
709	8	16606062603GB	스텝COMP			1			
709	9	V2183608025	소형육각볼트보통(SP)	M8X25		4			
709	10	12397075060GB	휠더 고정 브래킷/RH			1			
709	11	12397075050GB	휠더 고정 브래킷/LH			1			
709	12	15276040020	트림 클립(8)			4			
709	13	15536400010	페달실			2			
709	13	13876400011	실, 페달			2			
709	14	12397012810GB	플레이트, PTO			1			
NOTE									

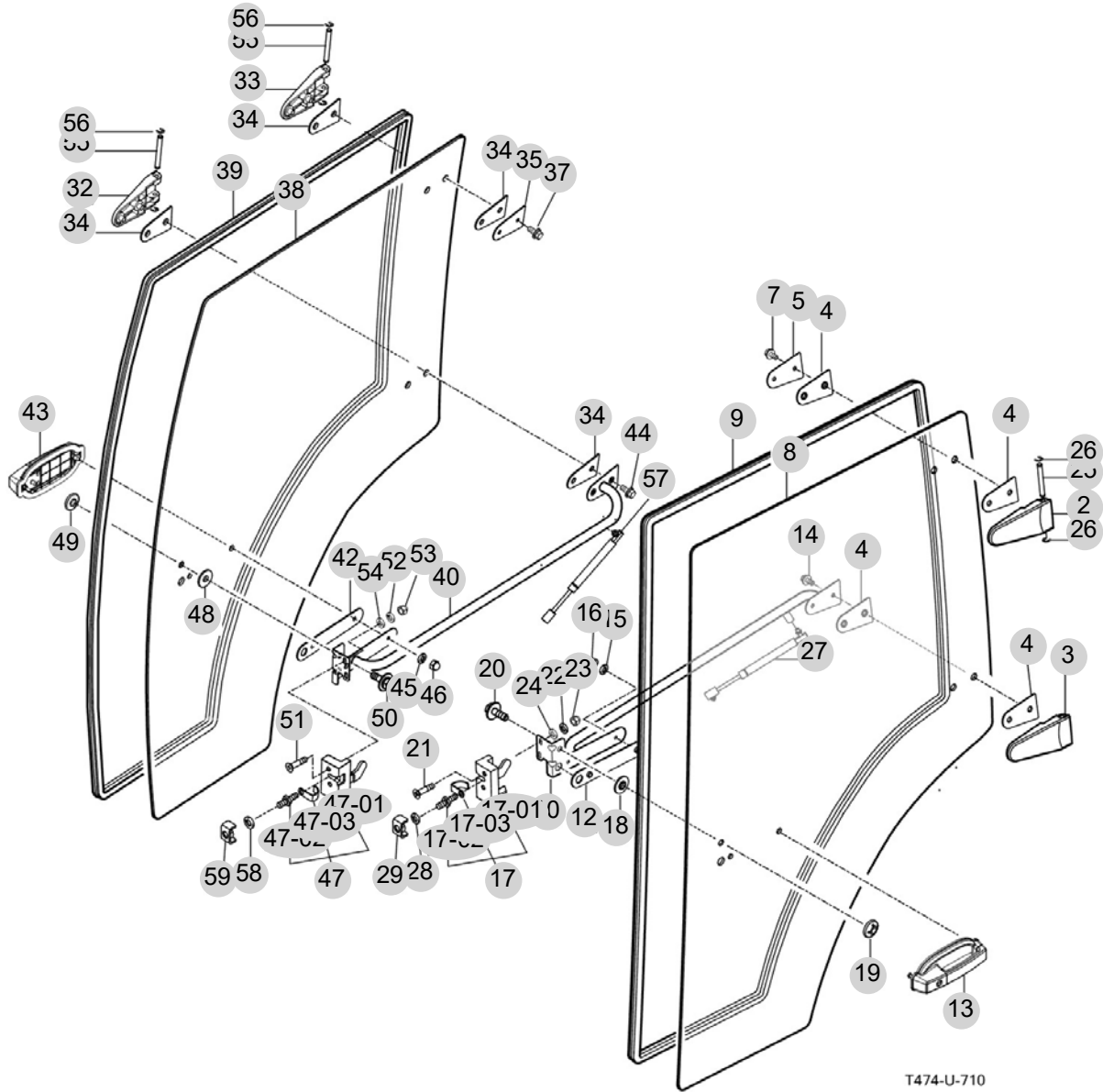
FIG 710

T475SHEU

DOOR

년/월
Year/Month

2022-12



NOTE

FIG 710		DOOR					년/월 Year/Month	
							2022-12	
T475SHEU								
KEY NO	PART NO	DESCRIPTION	SPEC	QTY	REPAIR	EFFECTIVE DATE	REMARKS	
710	2	14527052300	도어힌지조합, 상/LH		1			
710	3	14527052400	도어힌지조합, 상/RH		1			
710	4	14527052110	개스킷, 도어힌지		4			
710	5	14527052120GB	플레이터,도어힌지		1			
710	7	V2183608020	소형육각볼트보통(SP)	M8X20	2			
710	8	12397052211	그라스, 도어/LH	6t	1			
710	9	12397042200	인슐레이터, 도어		1			
710	10	12397022500GB	가이드 조합, LH/도어		1			
710	12	14527052150	개스킷, 도어손잡이		1			
710	13	17827052600	손잡이 ASSY, 잠금장치		1			
710	14	V2183608020	소형육각볼트보통(SP)	M8X20	2			
710	15	V4011600060	스프링와셔	M6	2			
710	16	V3402700060	육각캡너트	M6	2			
710	17	17827052700	라쳇 ASSY, 좌/도어		1			
710	17-01	17827052710	록 ASSY, 좌/도어		1			
710	17-02	14527052720	스트라이크		1			
710	17-03	14527052730	가이드		1			
710	18	15817401130	크로메트(13X17X02)		1			
710	19	14527042500	그라스너트조합		1			
710	20	V2193606012	육각볼트(SPL)	M6X12	1			
710	21	V1122608040	심자흡점시작은나사	M8X40	2			
710	22	V4011600080	스프링와셔	M8	2			
710	23	V3402700080	육각캡너트		2			
710	24	V4111600080	평와셔		2			
710	25	14527041110	핀, 도어힌지	D=8	2			
710	26	V7082400070	E형멈춤링(sus)	7	4			
710	27	14527301080	댐퍼(도어)ASSY_20kg	20KG	1			
710	28	V4011600100	스프링와셔	M10	1			
710	29	14527062500GB	브래킷 조합,도어록		1			
710	32	14527052300	도어힌지조합, 상/LH		1			
710	33	14527052400	도어힌지조합, 상/RH		1			
710	34	14527052110	개스킷, 도어힌지		4			
710	35	14527052120GB	플레이터,도어힌지		1			
710	37	V2183608020	소형육각볼트보통(SP)	M8X20	2			
710	38	12397052111	그라스, 도어/RH	6t	1			
710	39	12397042200	인슐레이터, 도어		1			
710	40	12397024000GB	가이드 조합, RH/도어		1			
710	42	14527052150	개스킷, 도어손잡이		1			
710	43	17827052600	손잡이 ASSY, 잠금장치		1			
710	44	V2183608020	소형육각볼트보통(SP)	M8X20	2			
710	45	V4011600060	스프링와셔	M6	2			
710	46	V3402700060	육각캡너트	M6	2			
710	47	17827053700	라쳇 ASSY, 우/도어		1			
710	47-01	17827053710	록 ASSY, 우/도어		1			
710	47-02	14527052720	스트라이크		1			
NOTE								

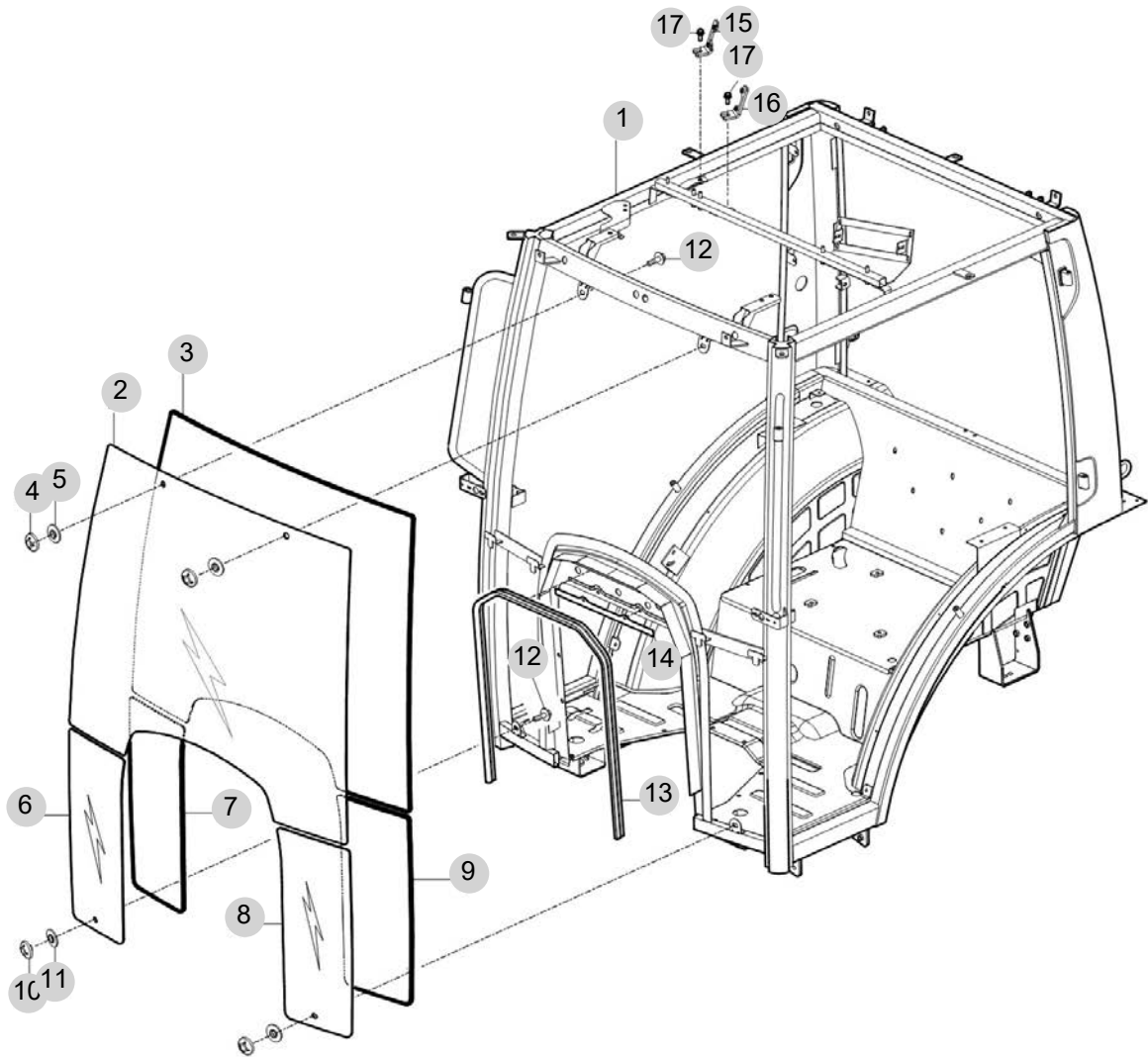
FIG 711

T475SHEU

FRONT GLASS

년/월
Year/Month

2022-12



NOTE

FIG 712

T475SHEU

REAR GLASS

년/월
Year/Month

2022-12

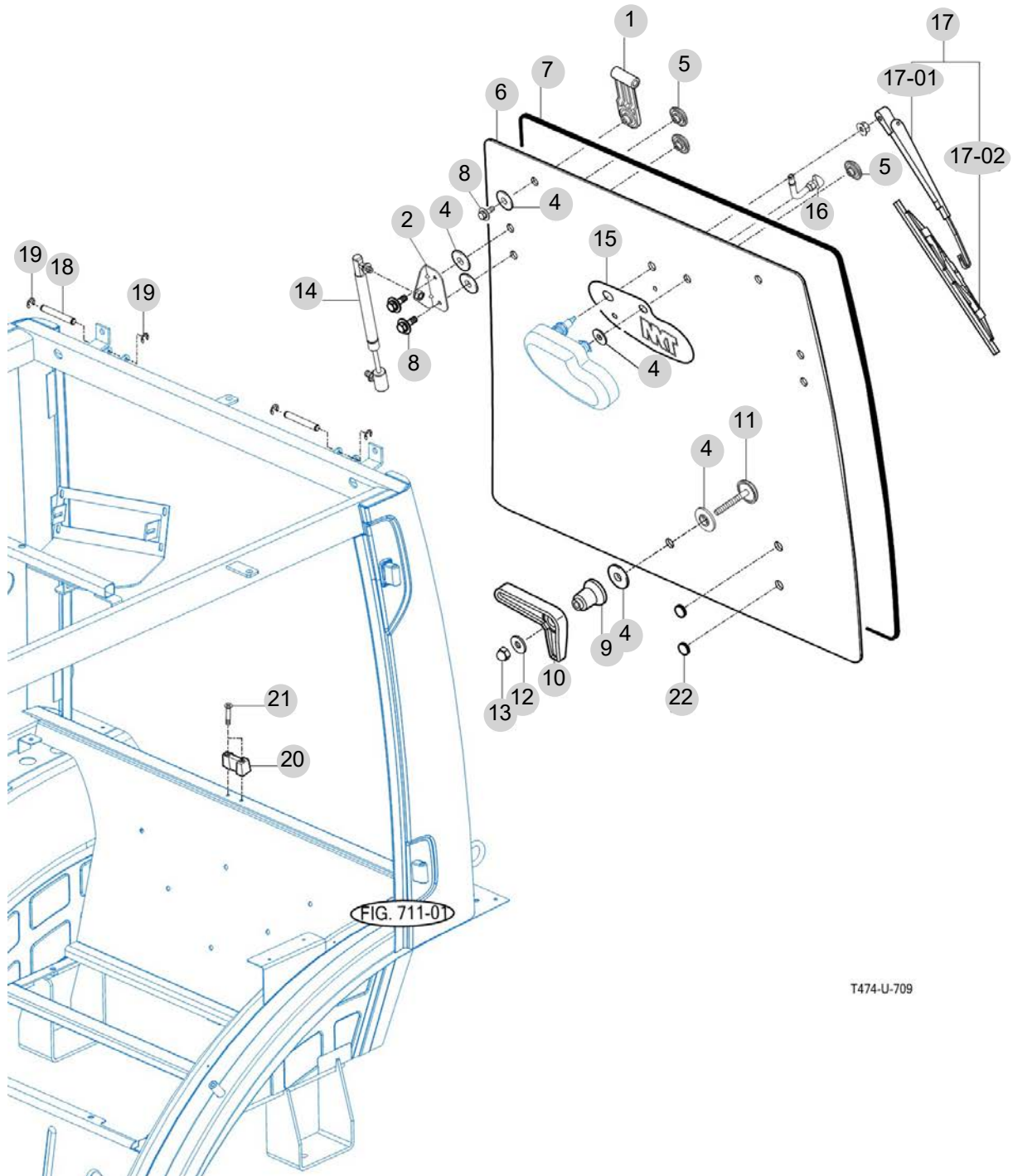


FIG. 711-01

T474-U-709

NOTE

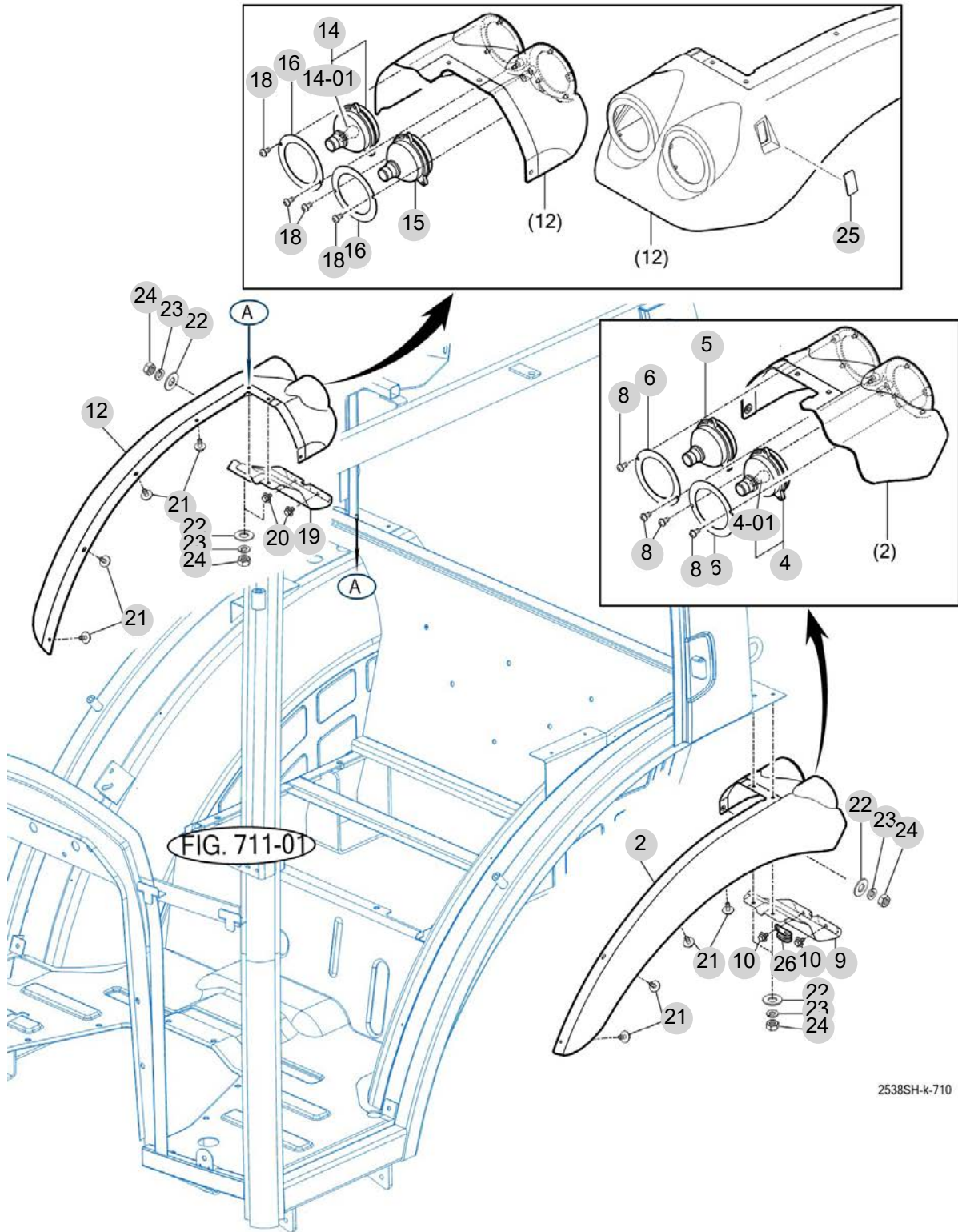
FIG 713

T475SHEU

SUB FENDER & COVER

년/월
Year/Month

2022-12



2538SH-k-710

NOTE

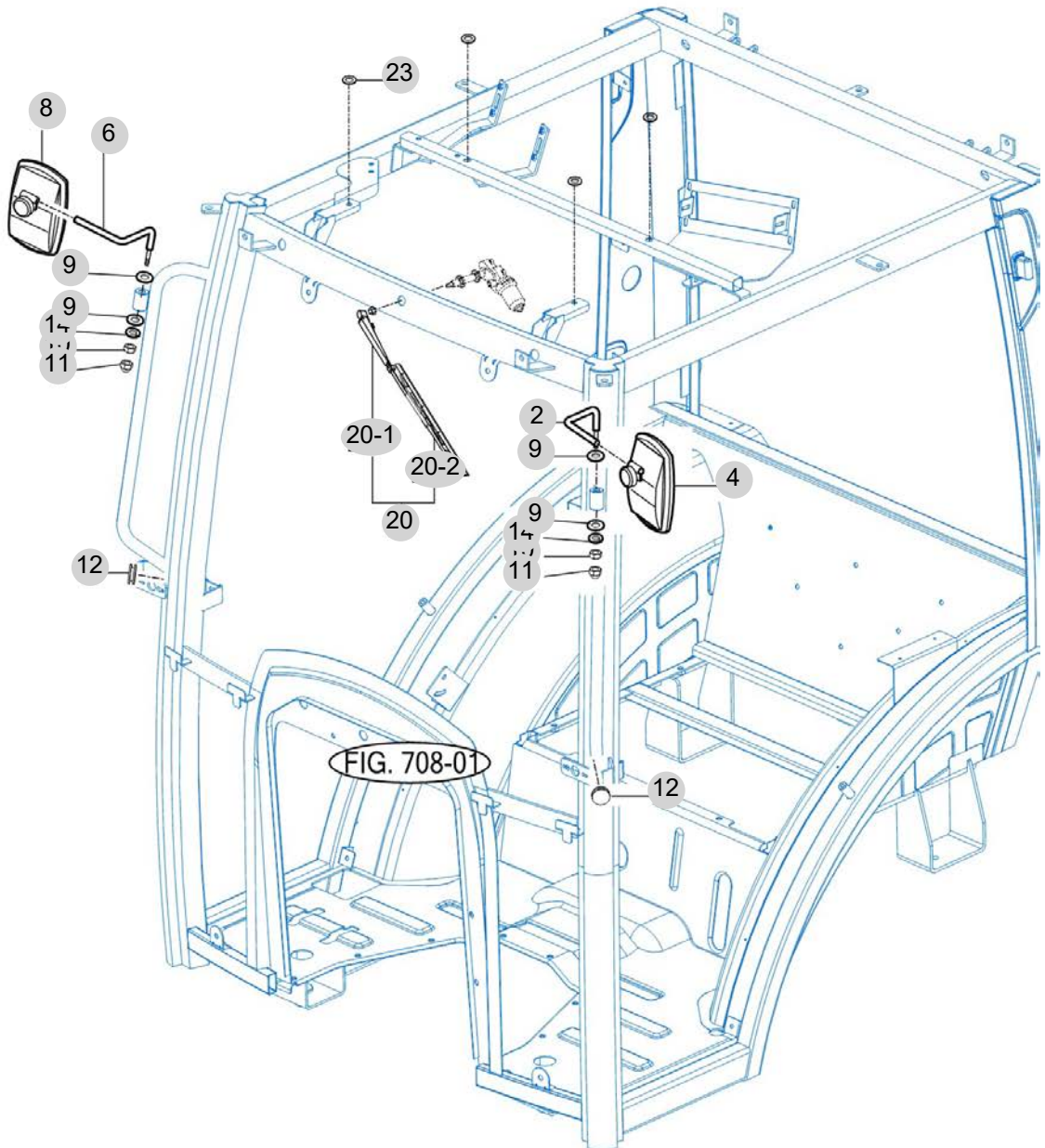
FIG 714

T475SHEU

MIRROR

년/월
Year/Month

2022-12



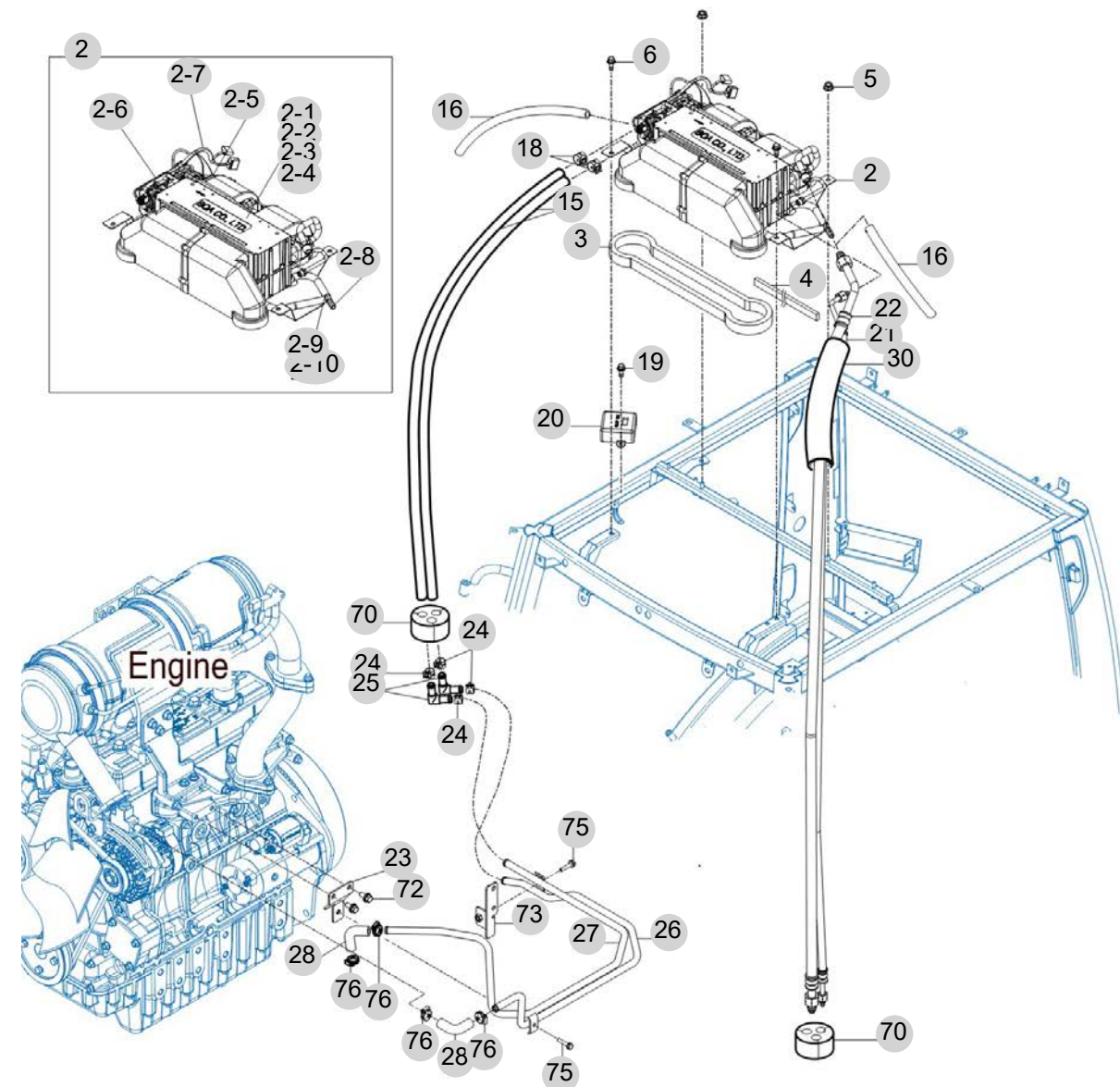
NOTE

FIG 715

HEATER & AIR-CON

년/월
Year/Month

2022-12



NOTE

FIG 715 T475SHEU		HEATER & AIR-CON					년/월 Year/Month	
							2022-12	
KEY NO	PART NO	DESCRIPTION	SPEC	QTY	REPAIR	EFFECTIVE DATE	REMARKS	
715	2	13827082410	에어컨 ASSY					
715	2-01	13828304000	서모스탯 ASSY					
715	2-02	13828303000	팬창밸브 ASSY					
715	2-03	13828302850	레지스터 ASSY					
715	2-04	13828302000	B/L 모터 & 펜					
715	2-05	13827082550	브래킷, 마운트					
715	2-06	13827082540	워터밸브 & 액추에이터					
715	2-06	13827082541	워터밸브 & 액추에이터					
715	2-07	13828302060	하니스 ASSY, HVAC					
715	2-08	13827082530	엘보(T)					
715	2-09	13827082520	클립, 드레인 호스					
715	2-10	13827082510	호스 ASSY, 드레인					
715	3	13827082420	인슐레이터, 덕터					
715	4	13827010080	고무					
715	5	V3802600060	플랜지볼이육각너트	M6				
715	6	V2183608025	소형육각볼트보통(SP)	M8X25				
715	15	13827081130	히터 호스, 캐빈					
715	16	13821112230	호스 ASSY, 드레인(1980)					
715	18	14527081160	호스클램프(19.3)	T=1.2				
715	19	V2123606016	육각볼트(SP)	M6X16				
715	20	14527070073	릴레이박스ASSY					
715	21	13827081220	호스 ASSY, 석션/캐빈					
715	22	13827081210	호스 ASSY, 리퀴드/캐빈					
715	23	13831512500GB	브래킷 COMP, 고정 (전)					
715	24	14527081160	호스클램프(19.3)	T=1.2				
715	25	17688200050	엘보(90)					
715	26	13831512200GB	파이프 COMP, 히터 OUT					
715	27	13831512100GB	파이프 COMP, 히터 IN					
715	27	13831512101GB	파이프 COMP, 히터 IN					
715	28	18711041501	DOSING 호스 엘보					
715	30	16998201771	인슐레이터(석션1)					
715	70	14527081260	막음씰, 파이프					
715	72	V2183608020	소형육각볼트보통(SP)					
715	73	13831512600GB	브래킷 COMP, 고정 (후)					
715	75	V2123606030	육각볼트(SP)					
715	76	18027090200	밴드 클램프 20 흡식					
NOTE								

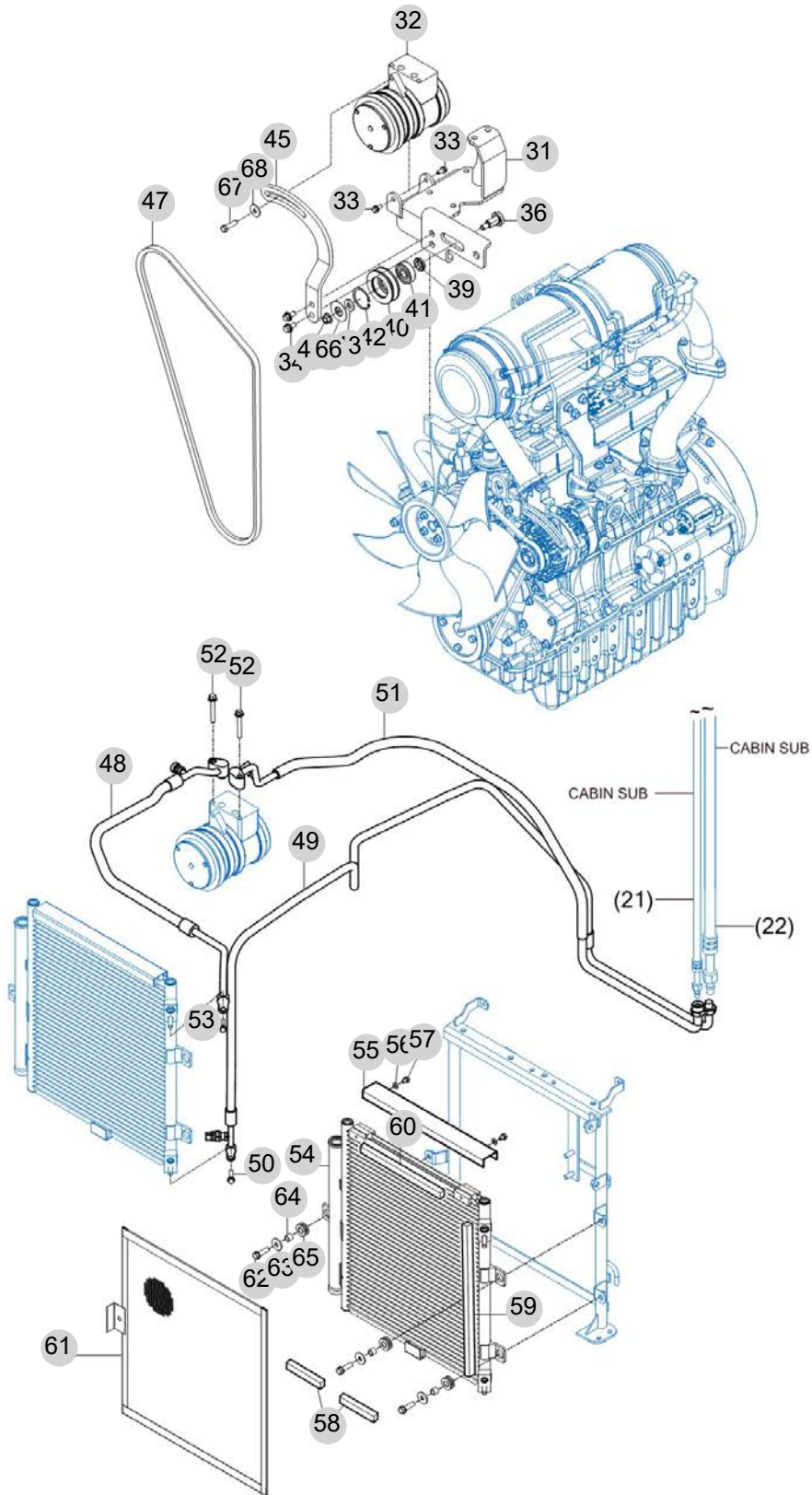
FIG 716

HEATER & AIR-CON

년/월
Year/Month

2022-12

T475SHEU



2538SH-K-712

NOTE

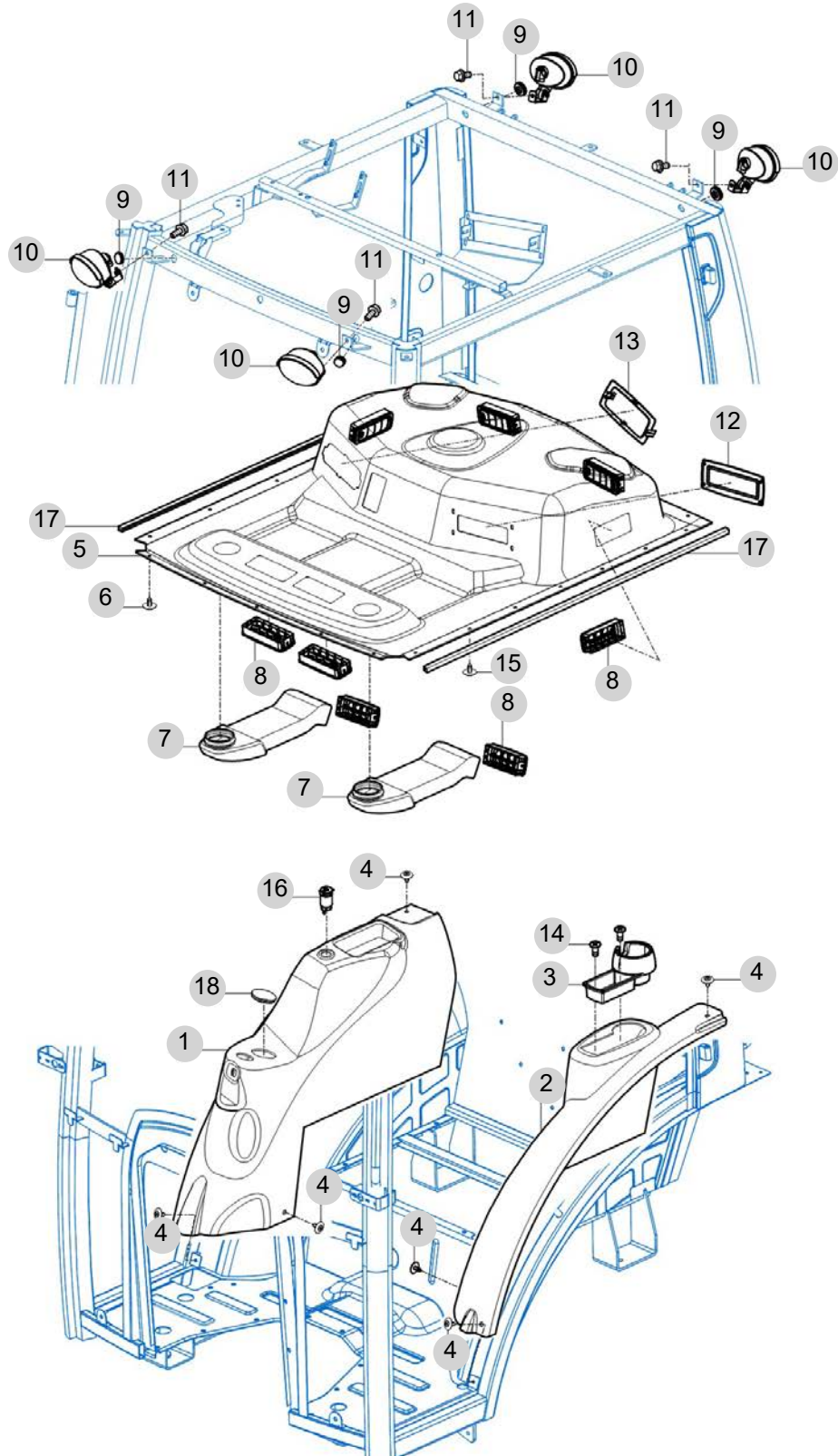
FIG 717

T475SHEU

FENDER COVER

년/월
Year/Month

2022-12



NOTE

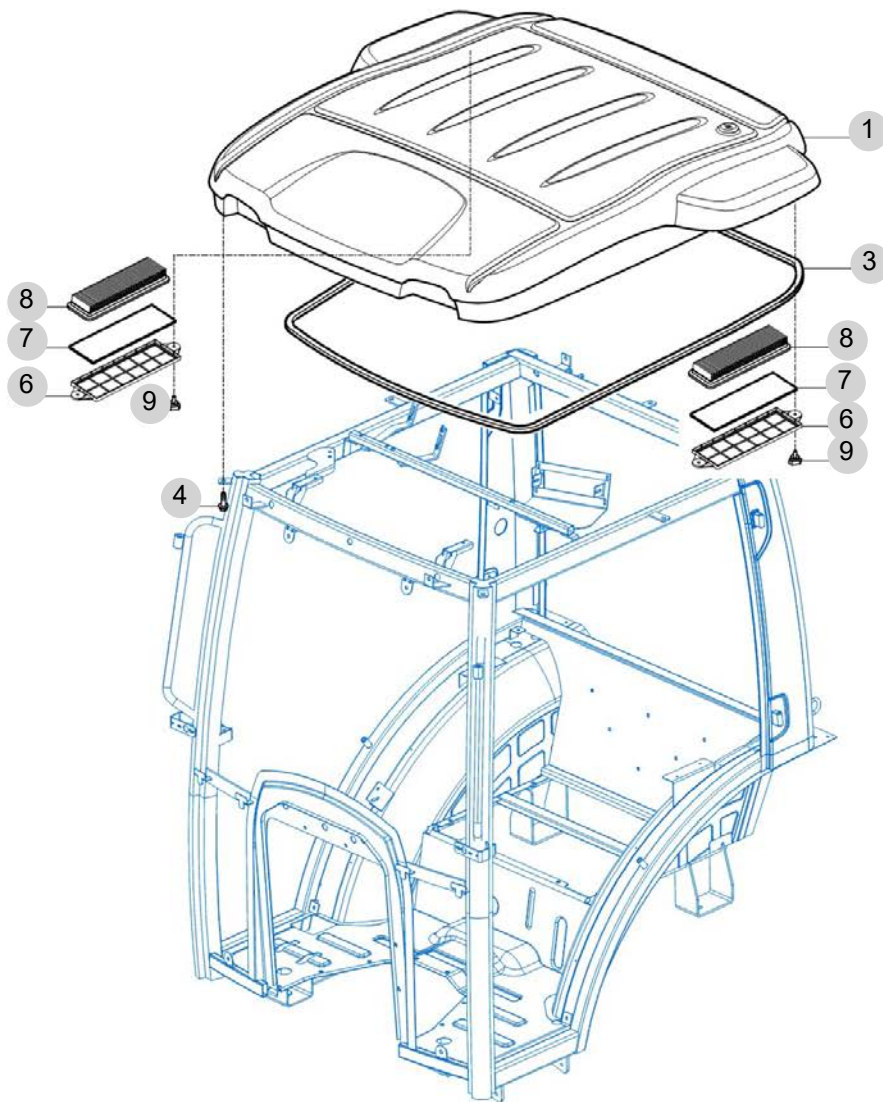
FIG 718

T475SHEU

ROOF

년/월
Year/Month

2022-12



NOTE

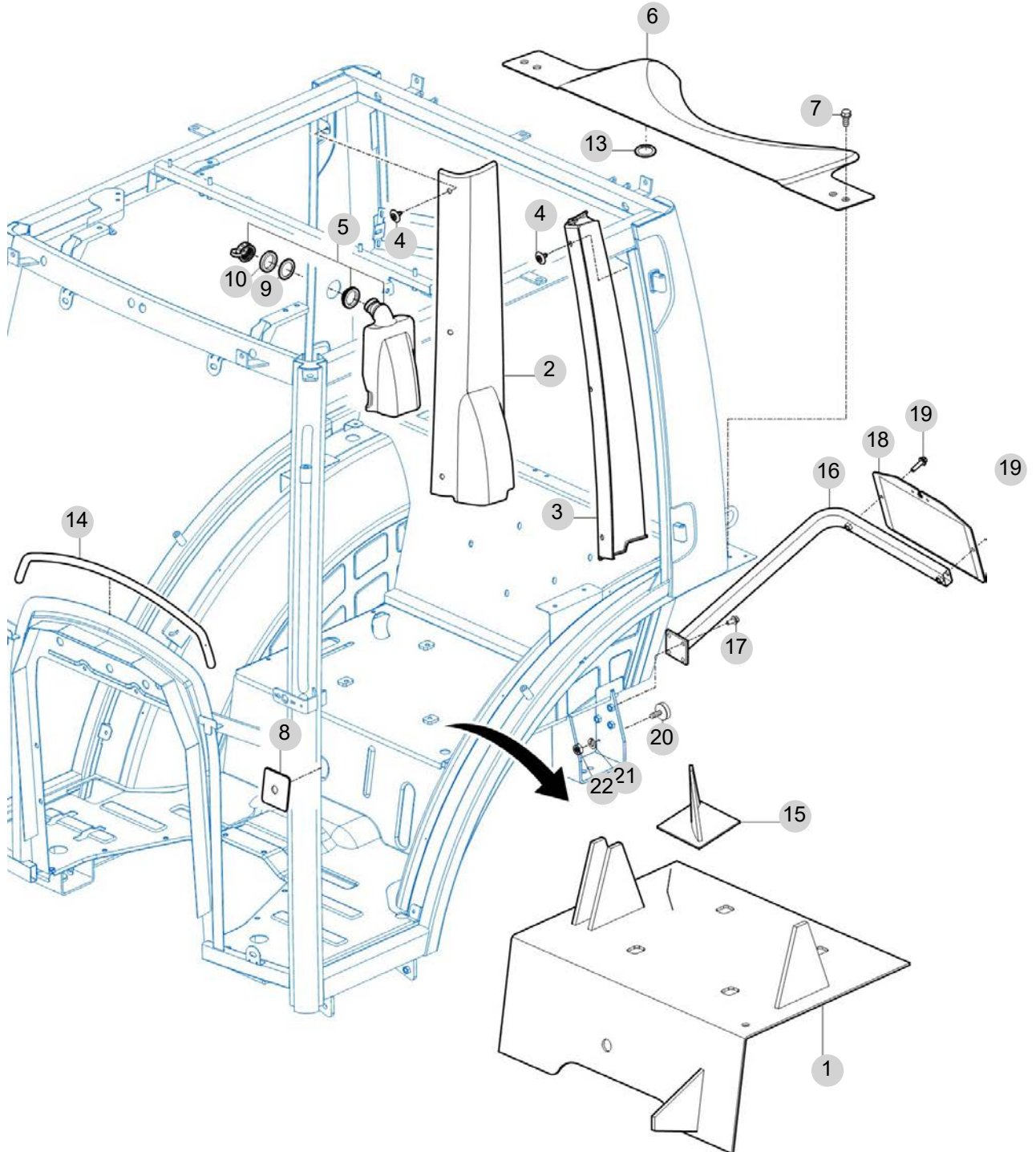
FIG 719

CABIN INTERIOR

년/월
Year/Month

T475SHEU

2022-12



NOTE

8. 전장 PART NO. T8

FIG 801 BATTERY & MOUNTING	239
FIG 802 LAMP	241
FIG 803 INSTRUMENT PANEL	243
FIG 804 ELECTRIC SYSTEM	245
FIG 805 HARNESS (1)	247
FIG 806 HARNESS (2)	249

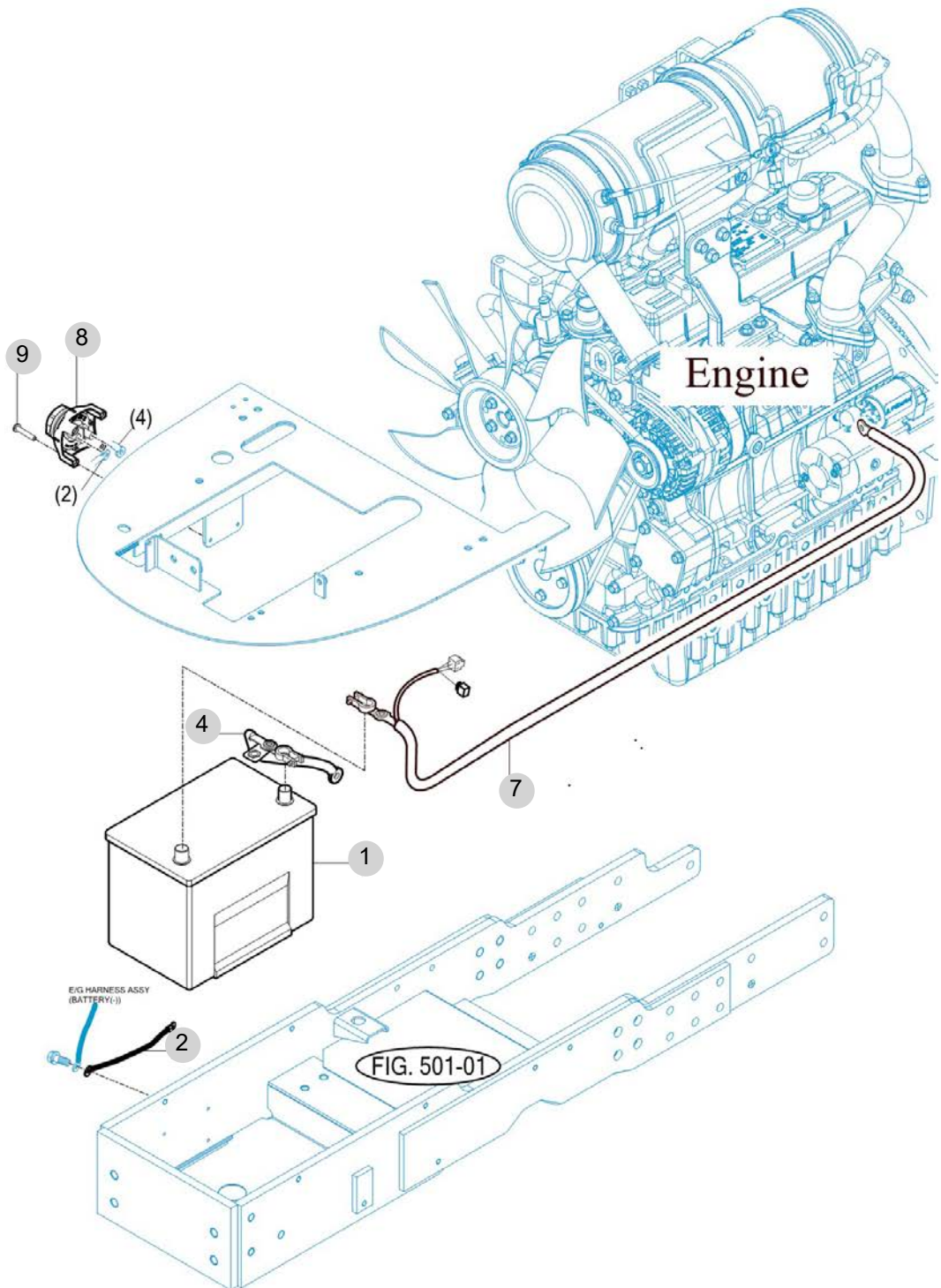
FIG 801

T475SHEU

BATTERY & MOUNTING

년/월
Year/Month

2022-12



NOTE

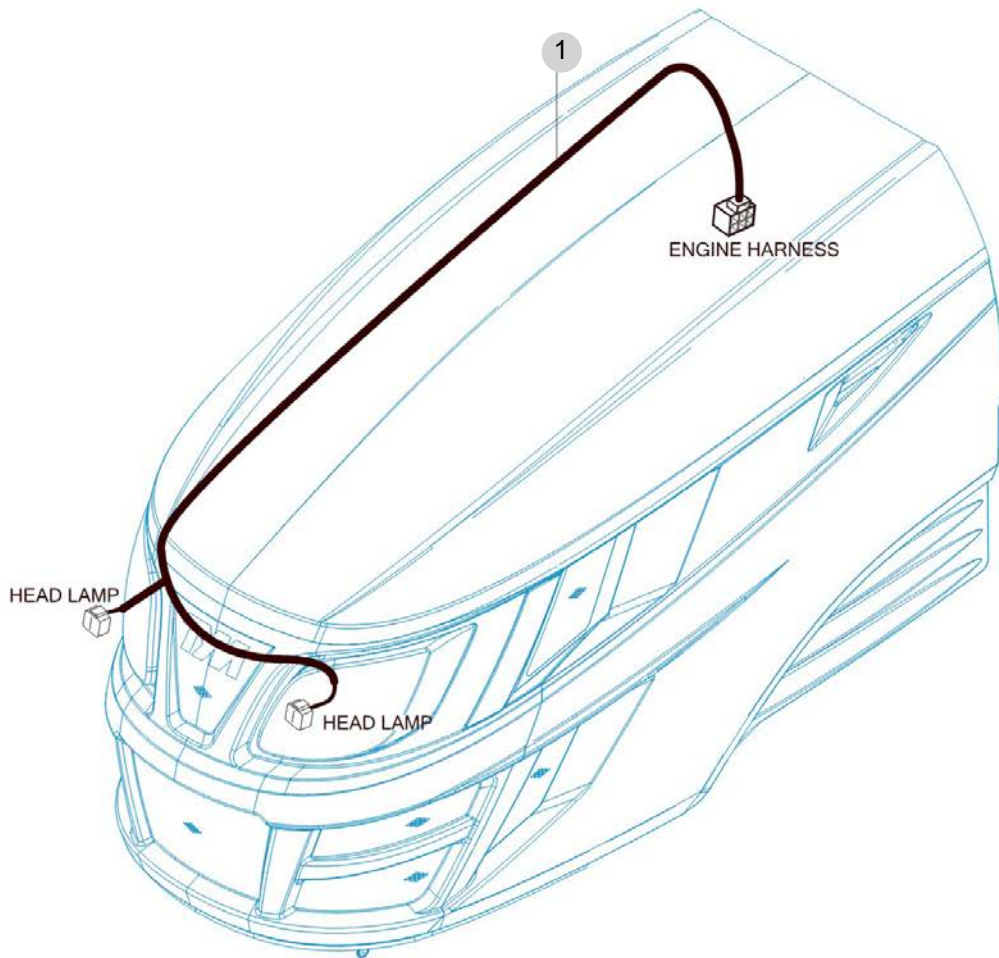
FIG 802

T475SHEU

LAMP

년/월
Year/Month

2022-12



NOTE

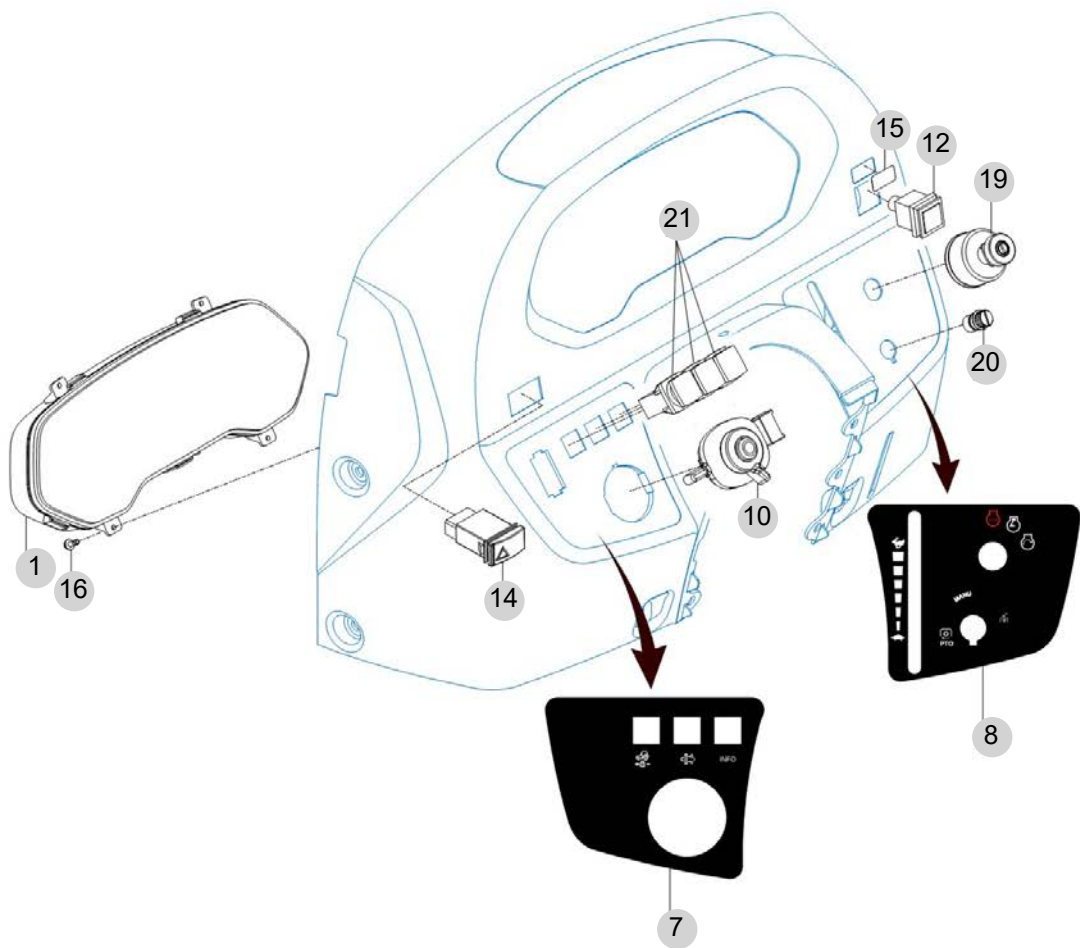
FIG 803

INSTRUMENT PANEL

년/월
Year/Month

T475SHEU

2022-12



NOTE

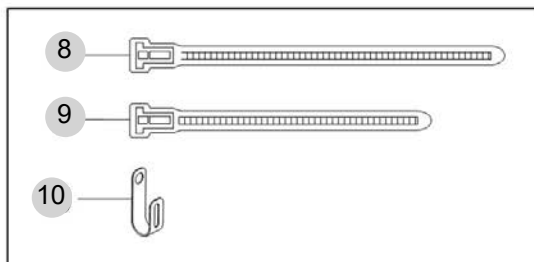
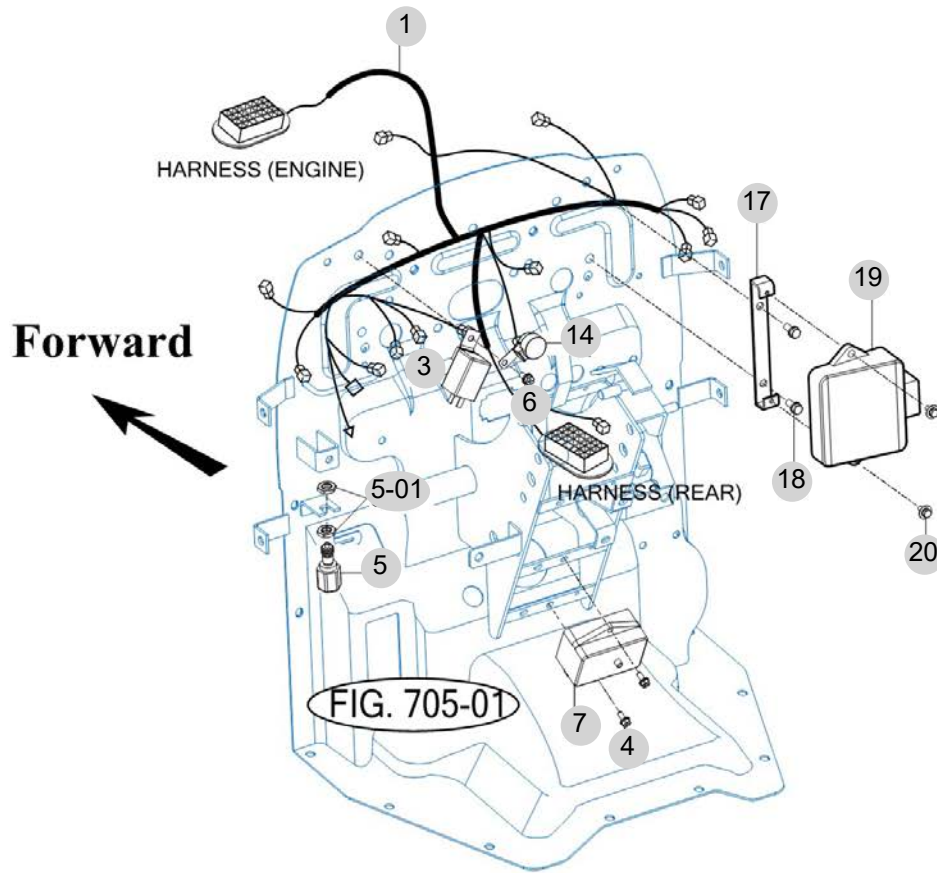
FIG 804

T475SHEU

ELECTRIC SYSTEM

년/월
Year/Month

2022-12



T474-U-804

NOTE

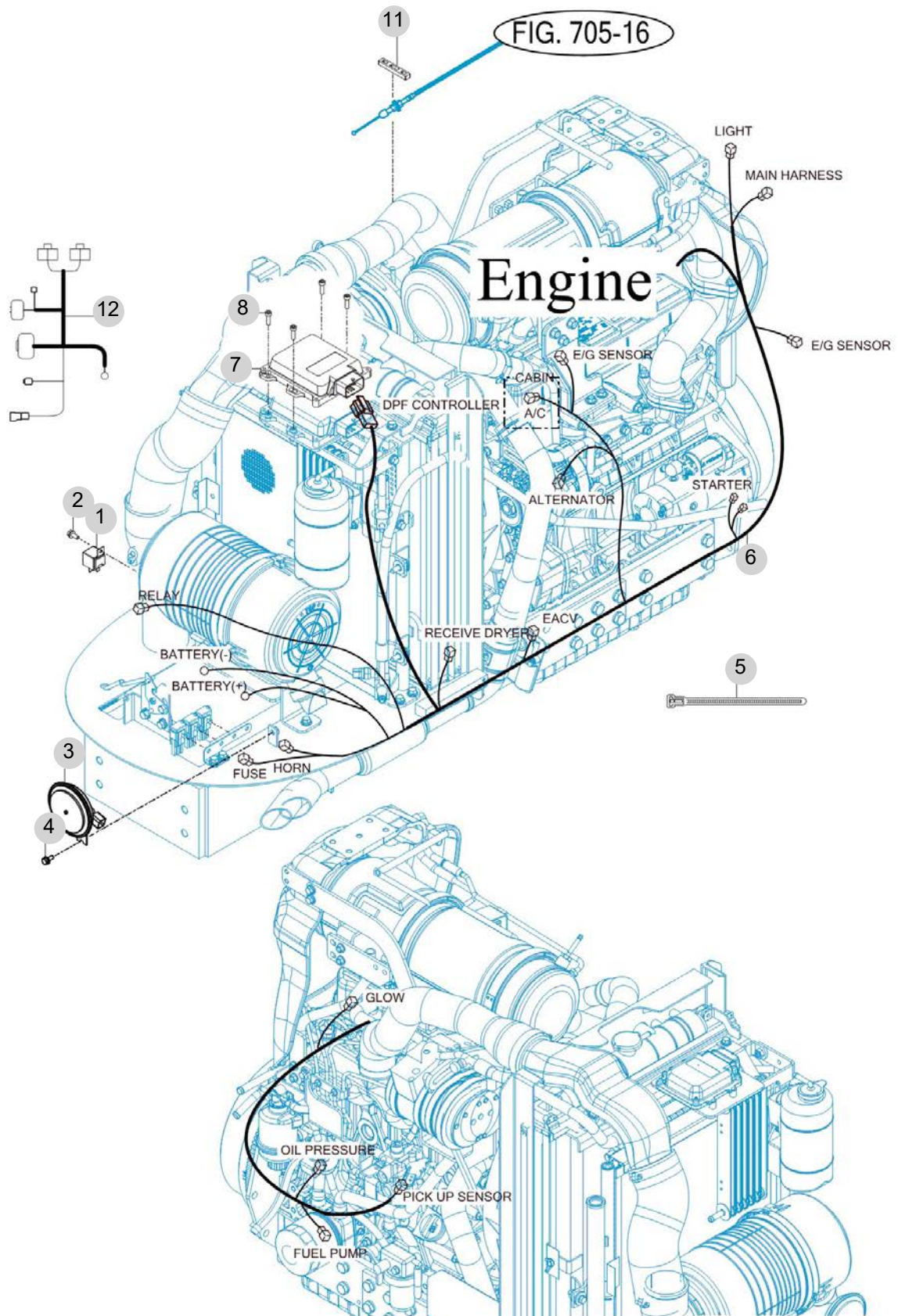
FIG 805

T475SHEU

HARNESS (1)

년/월
Year/Month

2022-12



NOTE

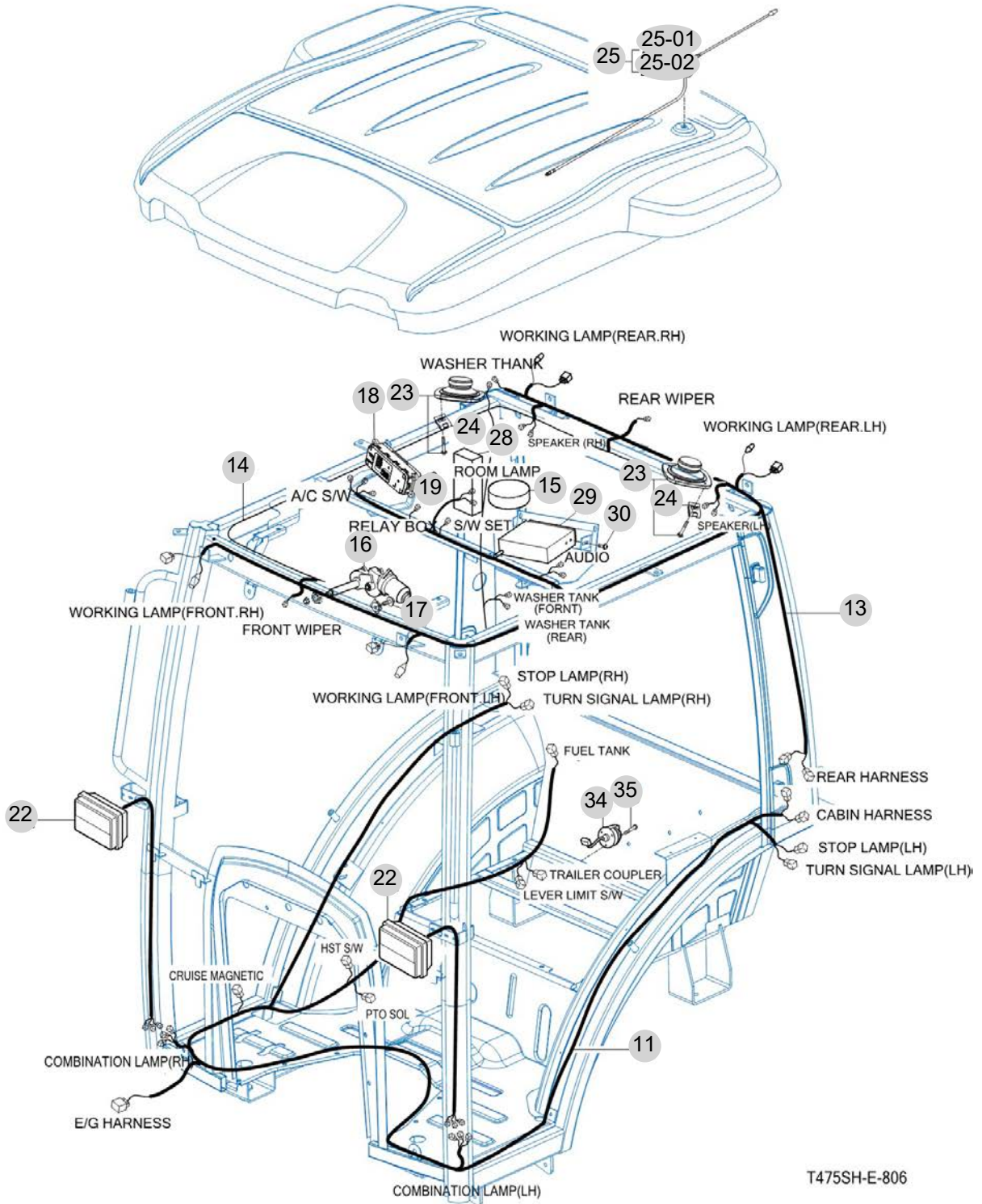
FIG 806

HARNESS (2)

년/월
Year/Month

2022-12

T475SHEU



T475SH-E-806

NOTE

9. 라벨/옵션 PART NO. T9

FIG 901 TOOL & ACCESSORY	252
FIG 902 WEIGHT	254
FIG 903 LABEL	256
FIG 903-2 LABEL	258

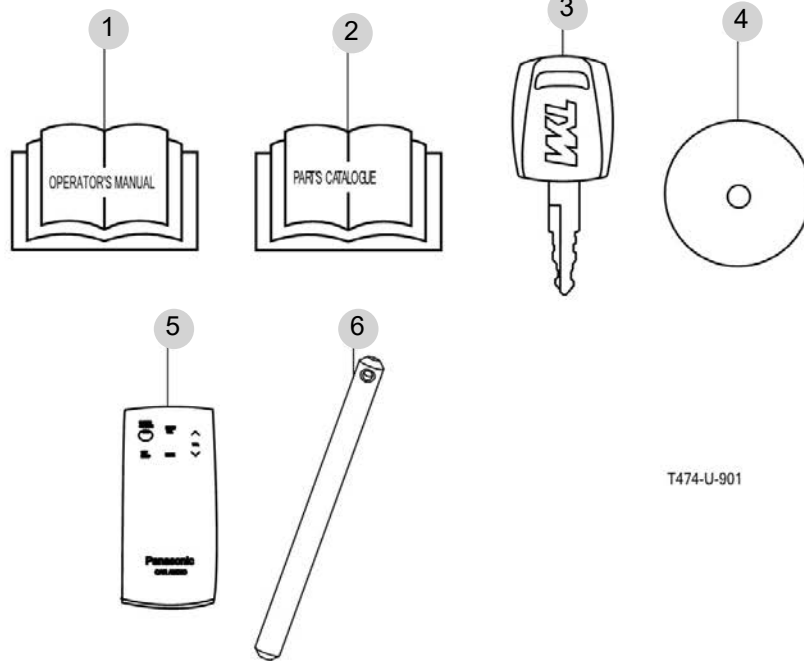
FIG 901

T475SHEU

TOOL & ACCESSORY

년/월
Year/Month

2022-12



T474-U-901

NOTE

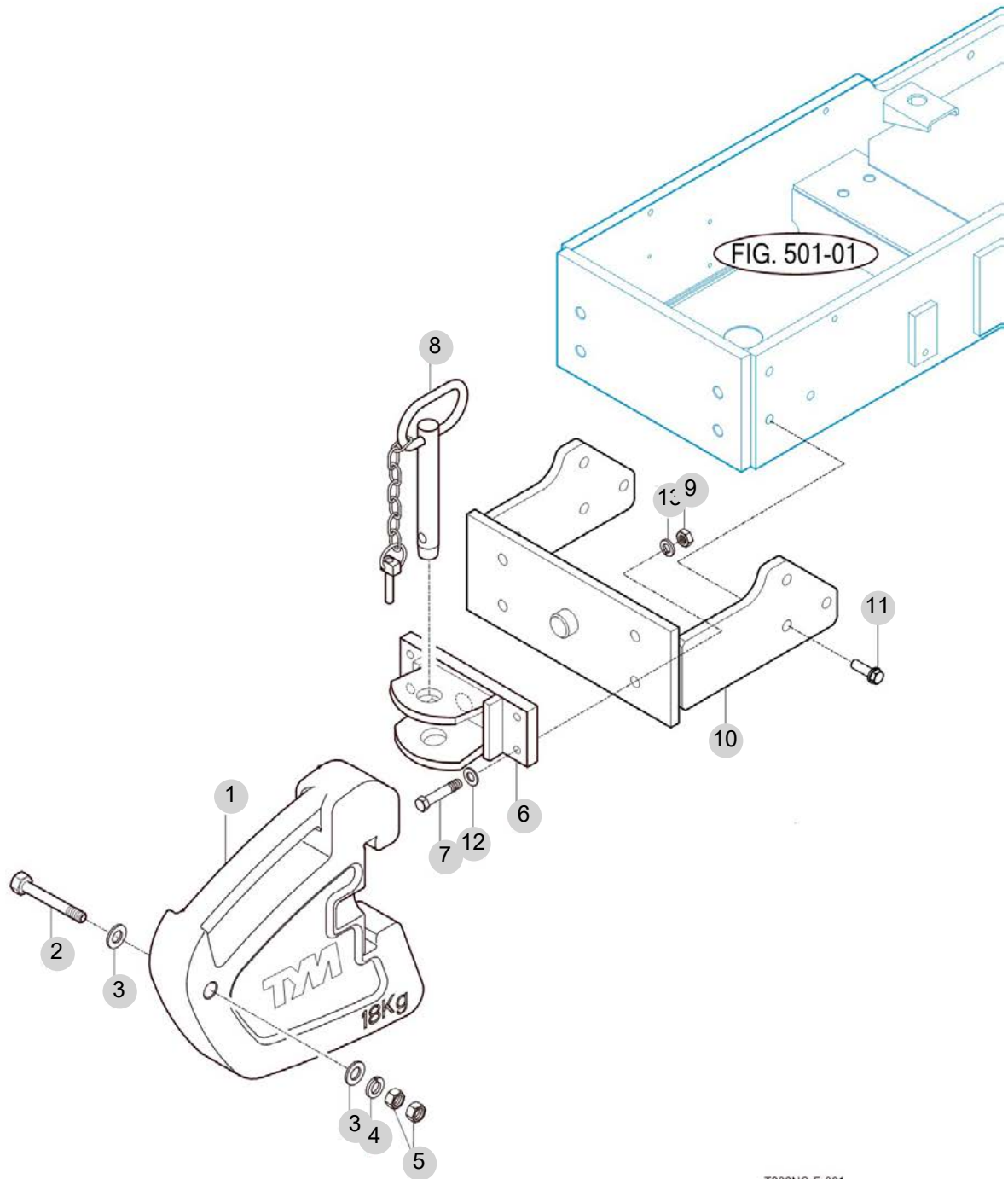
FIG 902

T475SHEU

WEIGHT

년/월
Year/Month

2022-12



T393NC-E-901

NOTE

FIG 903

LABEL

년/월
Year/Month

T475SHEU

2022-12



23



27



60



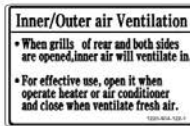
11



12



24



26



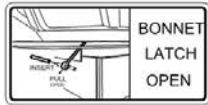
40



15



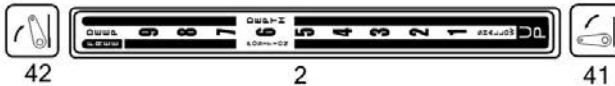
10



48

T475

34



42



2



41



29



20

21



16



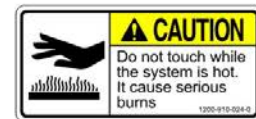
7



13



6



5



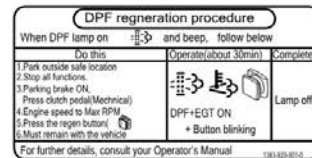
19



25



47



49

NOTE

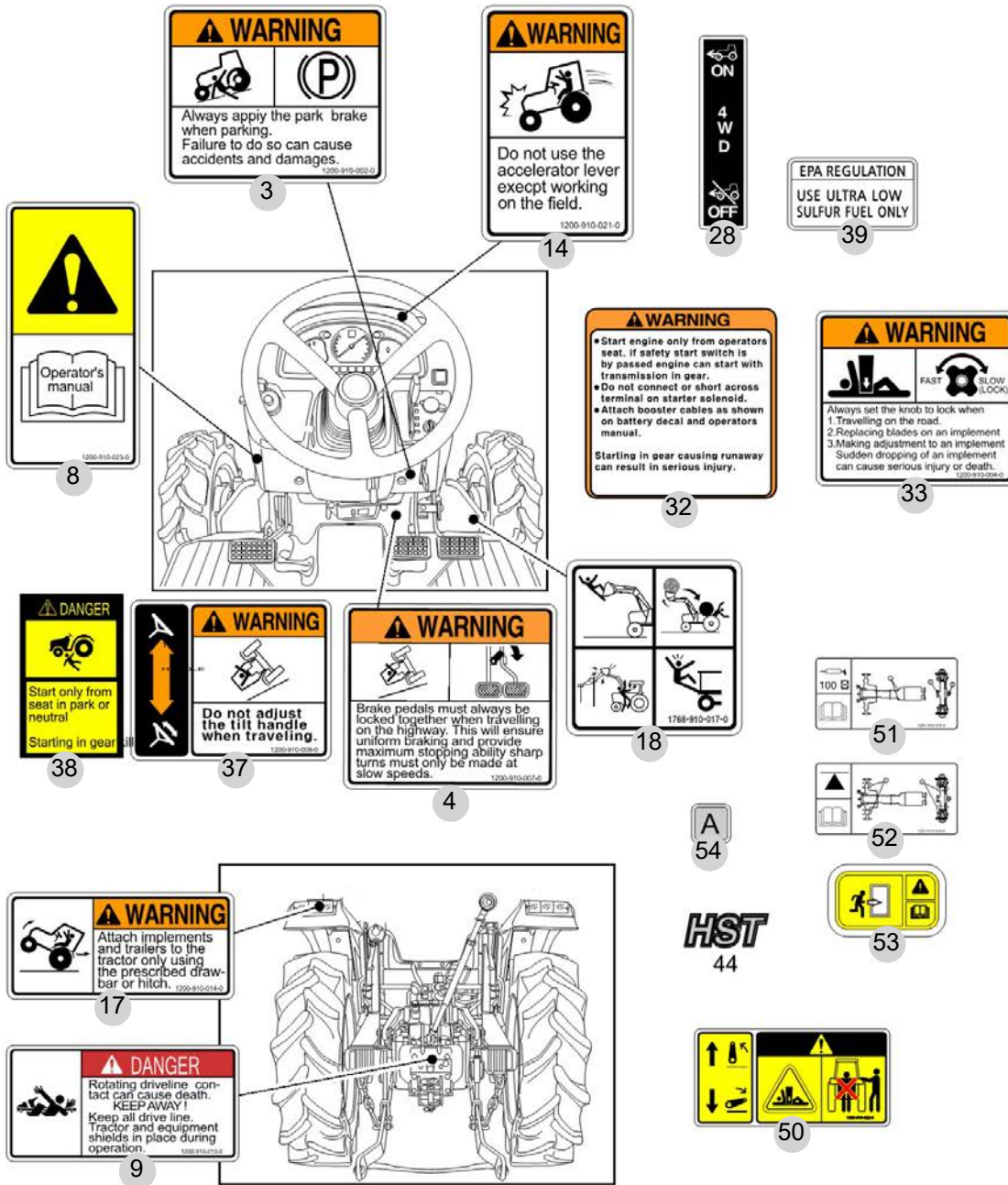
FIG 903-2

T475SHEU

LABEL

년/월
Year/Month

2022-12



NOTE

