

T475NCEU

Parts Catalog

목 차

1. 엔진 PART NO. EG

FIG 100 ENGINE	8
FIG 101 CYLINDER BLOCK	10
FIG 102 OILJET ASS'Y OPTION	12
FIG 103 CRANK SHAFT	14
FIG 104 PISTON	16
FIG 105 CYLINDER HEAD	18
FIG 106 ROCKER LEVER	20
FIG 107 HEAD COVER	22
FIG 108 GEAR CASE	24
FIG 109 IDLE GEAR	26
FIG 110 CAM SHAFT	28
FIG 111 OIL PUMP	30
FIG 112 HYD. PUMP DRIVE	32
FIG 113 2ND BALANCE	34
FIG 114 OIL PAN	36
FIG 115 INTAKE MANIFOLD	38
FIG 116 EXHAUST MANIFOLD	40
FIG 117 DPF SUPPORT OPTION	42
FIG 118 TURBOCHARGER PLUMBING OPTION	44
FIG 119 BREATHER	46
FIG 120 FUEL INJECTION PUMP	48
FIG 121 FUEL INJECTION VALVE	50
FIG 122 FUEL PIPE ASS'Y	52
FIG 123 OIL FILTER	54
FIG 124 OIL COOLER	56
FIG 125 OIL GAUGUE	58
FIG 126 OIL FILLER CAP	60
FIG 127 COOLING WATER PUMP	62
FIG 128 CRANK SHAFT PULLEY	64
FIG 129 V-PULLEY	66
FIG 130 COOLING FAN	68

FIG 131 FLYWHEEL HOUSING	70
FIG 132 FLYWHEEL	72
FIG 133 GLOW PLUG ASS'Y OPTION	74
FIG 134 STARTING MOTOR	76
FIG 135 FUEL FILTER BRACKET ASS'Y	78
FIG 136 ALTERNATOR	80
FIG 137 V-BELT	82
FIG 138 FUEL FILTER	84
FIG 139 DPF SUPPORT	86
FIG 140 DATAPLATE	88
FIG 142 DPF ASS'Y	90
FIG 143 LIFT ASS'Y	92
FIG 144 COMP. DRIVE PULLEY ASS'Y OPTION	94
FIG 145 LOOSED PARTS	96

2. 엔진보기품 PART NO. T2

FIG 201 AIR CLEANER	99
FIG 202 RADIATOR	101
FIG 203 MUFFLER	103
FIG 204 FUEL TANK & FILTER	105
FIG 205 ACCELERATOR	107

3. 클러치/브레이크/스티어링 PART NO. T3

FIG 301 CLUTCH PEDAL	110
FIG 302 FLYWHEEL & CLUTCH	112
FIG 303 BRAKE PEDAL	114
FIG 304 BRAKE	116
FIG 306 FRONT WHEEL MOUNTING	118
FIG 307 REAR WHEEL MOUNTING	120
FIG 308 STEERING WHEEL	122
FIG 309 STEERING VALVE & PARKING	124
FIG 310 STEERING CYLINDER	126
FIG 311 HAND BRAKE LINKAGE	128

4. 트랜스미션 PART NO. T4

FIG 401 TRANSMISSION FRONT CASE	131
---------------------------------	-----

FIG 402 INPUT METAL	133
FIG 403 INPUT GEAR	135
FIG 404 4WD DRIVE GEAR	137
FIG 405 MAIN CHANGE GEARS & REVERSE GEARS	139
FIG 406 SUB CHANGE GEARS	141
FIG 407 PINION GEARS	143
FIG 408 P.T.O DRIVE SHAFT	145
FIG 409 P.T.O CHANGE GEARS	147
FIG 410 DIFF LOCK	149
FIG 411 TRANSMISSION REAR CASE	151
FIG 412 REAR AXLE HOUSINGS (1)	153
FIG 413 REAR AXLE HOUSINGS (2)	155
FIG 414 MAIN CHANGE LEVER	157
FIG 415 SUB CHANGE LEVER	159
FIG 416 REVERSE LINK	161
FIG 417 REVERSE CHANGE LEVER	163
FIG 418 4WD CHANGE LEVER	165

5. 프런트 액슬 PART NO. T5

FIG 501 FRONT AXLE BRACKET	168
FIG 502 FRONT DIFF. GEARS & SHAFT	170
FIG 503 FRONT AXLE HOUSING	172
FIG 504 FRONT GEAR CASE (1)	174
FIG 505 FRONT GEAR CASE (2)	176

6. 유압/3점링크 PART NO. T6

FIG 601 GEAR PUMP	179
FIG 602 CYLINDER CASE	181
FIG 603 LIFT ARM	183
FIG 604 CYLINDER	185
FIG 605 POSITION LINK (1)	187
FIG 606 POSITION LINK (2)	189
FIG 607 CONTROL VALVE	191
FIG 608 POSITION LEVER	193
FIG 609 HYDRAULIC PIPE (1)	195
FIG 610 HYDRAULIC PIPE (2)	198

FIG 611 EXTERIOR HYD. VALVE	200
FIG 612 3-POINT LINK	202
FIG 613 HITCH & COVER	205
FIG 614 EXTERIOR POSITION LEVER	207

7. 시트메탈/캐빈 PART NO. T7

FIG 701 HOOD FRAME	210
FIG 702 HOOD	213
FIG 703 EXTENSION COVER	216
FIG 704 FENDER & REAR FRAME	218
FIG 705 DASH PANEL	221
FIG 706 FLOOR PANEL	223
FIG 707 SEAT	225
FIG 708 FRONT & REAR MOUNTING	227
FIG 709 ROPS	229

8. 전장 PART NO. T8

FIG 801 BATTERY & MOUNTING	232
FIG 802 LAMP	234
FIG 803 INSTRUMENT PANEL	236
FIG 804 ELECTRIC SYSTEM	238
FIG 805 HARNESS	240

9. 라벨/옵션 PART NO. T9

FIG 901 TOOL & ACCESSORY	243
FIG 902 WEIGHT	245
FIG 903-1 LABEL	247

1. 엔진 PART NO. EG

FIG 100 ENGINE	8
FIG 101 CYLINDER BLOCK	10
FIG 102 OILJET ASS'Y OPTION	12
FIG 103 CRANK SHAFT	14
FIG 104 PISTON	16
FIG 105 CYLINDER HEAD	18
FIG 106 ROCKER LEVER	20
FIG 107 HEAD COVER	22
FIG 108 GEAR CASE	24
FIG 109 IDLE GEAR	26
FIG 110 CAM SHAFT	28
FIG 111 OIL PUMP	30
FIG 112 HYD. PUMP DRIVE	32
FIG 113 2ND BALANCE	34
FIG 114 OIL PAN	36
FIG 115 INTAKE MANIFOLD	38
FIG 116 EXHAUST MANIFOLD	40
FIG 117 DPF SUPPORT OPTION	42
FIG 118 TURBOCHARGER PLUMBING OPTION	44
FIG 119 BREATHER	46
FIG 120 FUEL INJECTION PUMP	48
FIG 121 FUEL INJECTION VALVE	50
FIG 122 FUEL PIPE ASS'Y	52
FIG 123 OIL FILTER	54
FIG 124 OIL COOLER	56
FIG 125 OIL GAUGUE	58
FIG 126 OIL FILLER CAP	60
FIG 127 COOLING WATER PUMP	62
FIG 128 CRANK SHAFT PULLEY	64
FIG 129 V-PULLEY	66
FIG 130 COOLING FAN	68
FIG 131 FLYWHEEL HOUSING	70
FIG 132 FLYWHEEL	72
FIG 133 GLOW PLUG ASS'Y OPTION	74
FIG 134 STARTING MOTOR	76
FIG 135 FUEL FILTER BRACKET ASS'Y	78
FIG 136 ALTERNATOR	80
FIG 137 V-BELT	82

FIG 138 FUEL FILTER	84
FIG 139 DPF SUPPORT	86
FIG 140 DATAPLATE	88
FIG 142 DPF ASS'Y	90
FIG 143 LIFT ASS'Y	92
FIG 144 COMP. DRIVE PULLEY ASS'Y OPTION	94
FIG 145 LOOSED PARTS	96

FIG 100 T475NCEU	ENGINE	년/월 Year/Month
		2022-12

--	--

NOTE	
------	--

FIG 100 T475NCEU		ENGINE					년/월 Year/Month	REMARKS
							2022-12	
KEY NO		PART NO	DESCRIPTION	SPEC	QTY	REPAIR	EFFECTIVE DATE	
100	1	13801001200	엔진 , A2300N4-TETR_5		1			
100	1	13831001200	엔진 , A2300N4-TETC_5		1			
NOTE								

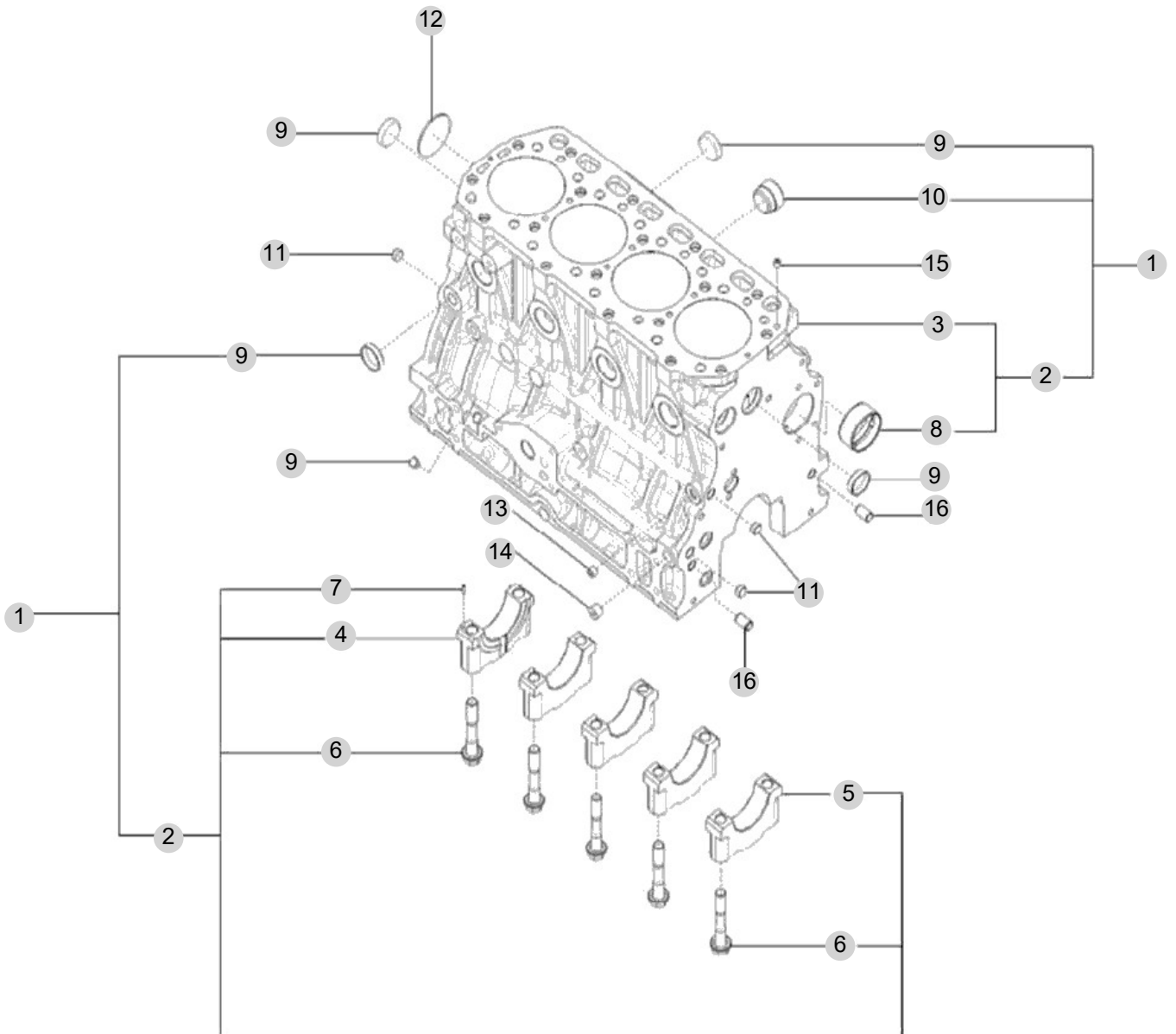
FIG 101

T475NCEU

CYLINDER BLOCK

년/월
Year/Month

2022-12



NOTE

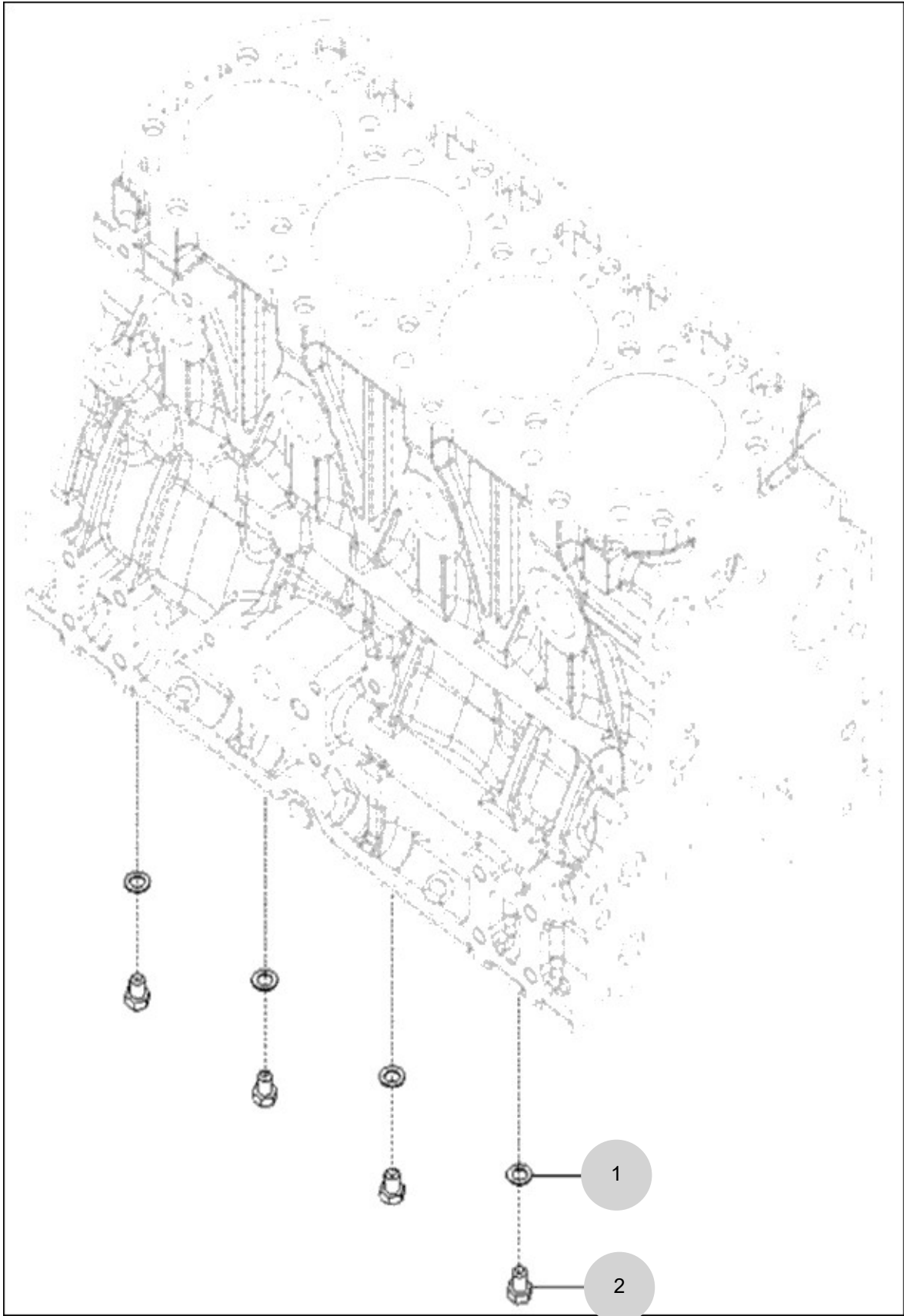
FIG 102

OILJET ASS'Y OPTION

년/월
Year/Month

T475NCEU

2022-12



NOTE

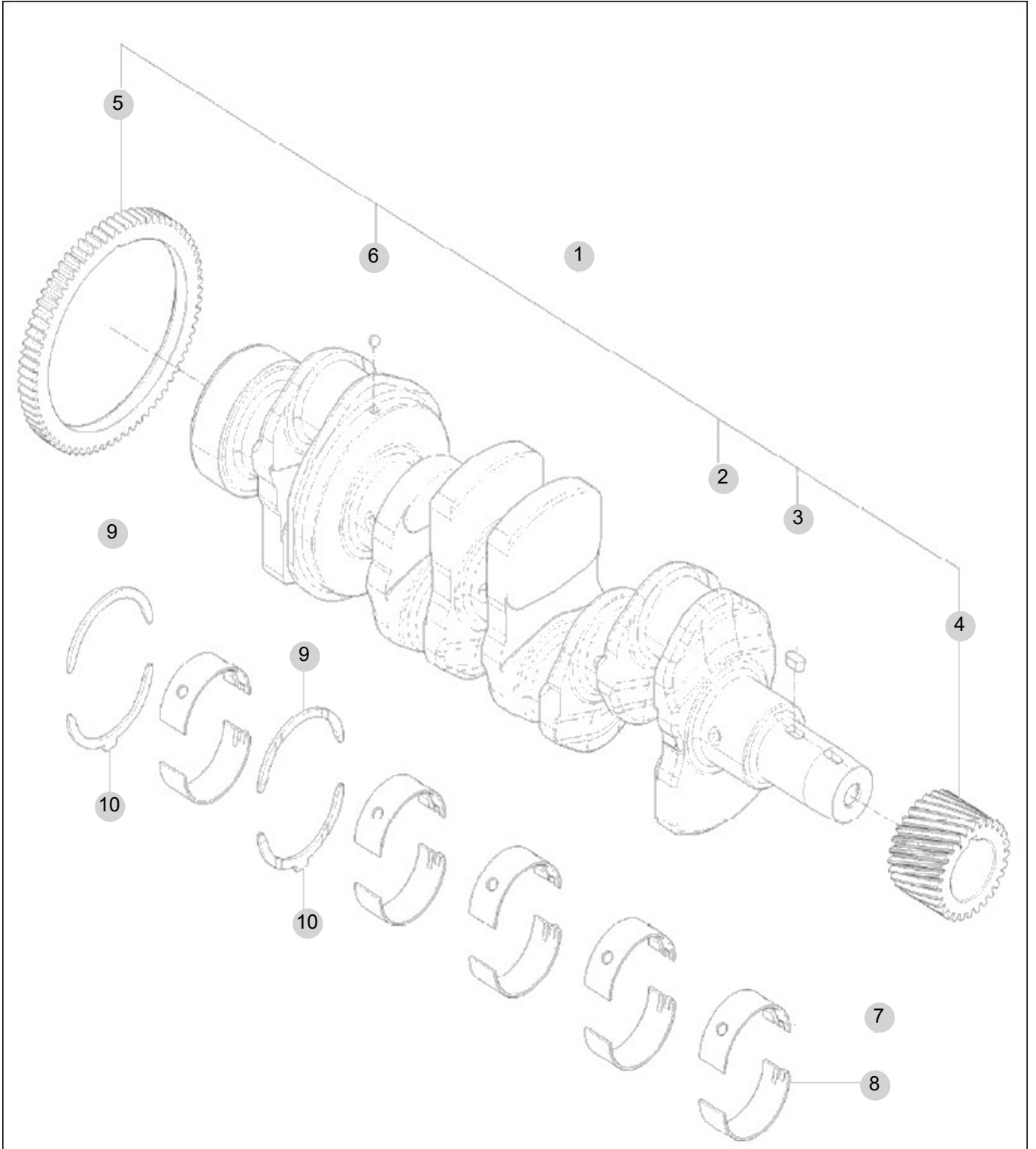
FIG 103

T475NCEU

CRANK SHAFT

년/월
Year/Month

2022-12



NOTE

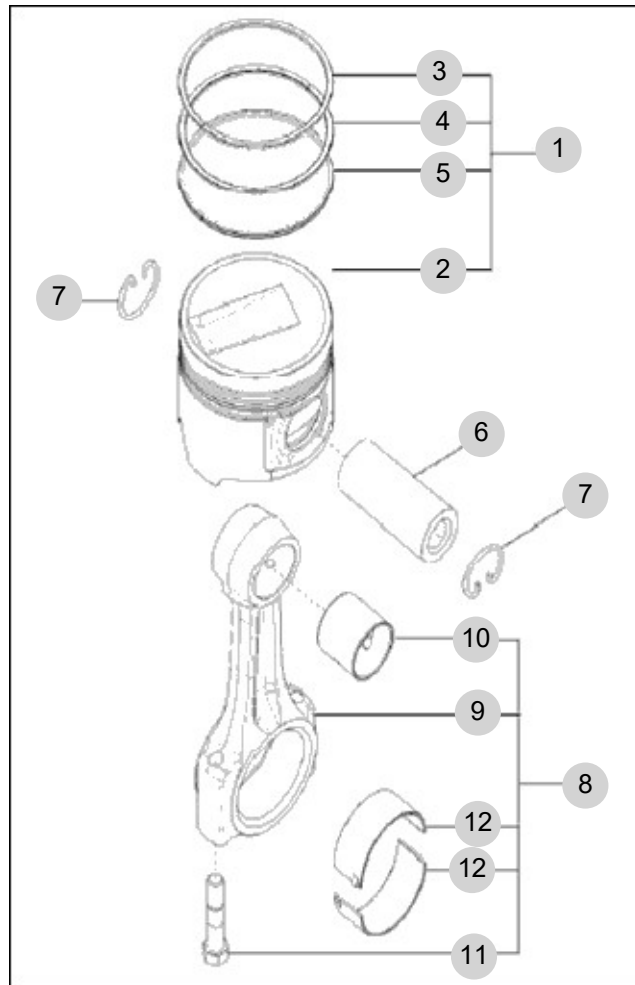
FIG 104

T475NCEU

PISTON

년/월
Year/Month

2022-12



NOTE

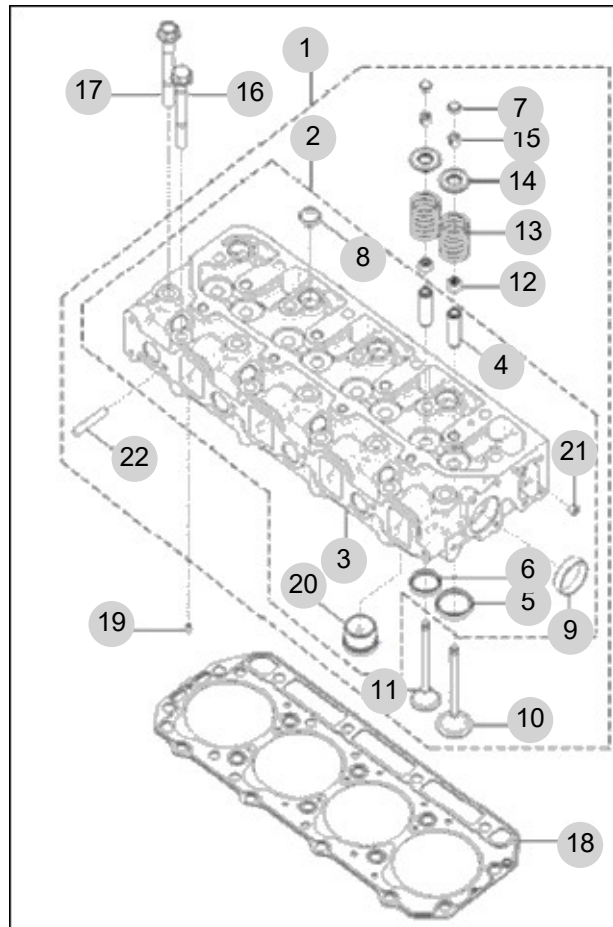
FIG 105

T475NCEU

CYLINDER HEAD

년/월
Year/Month

2022-12



NOTE

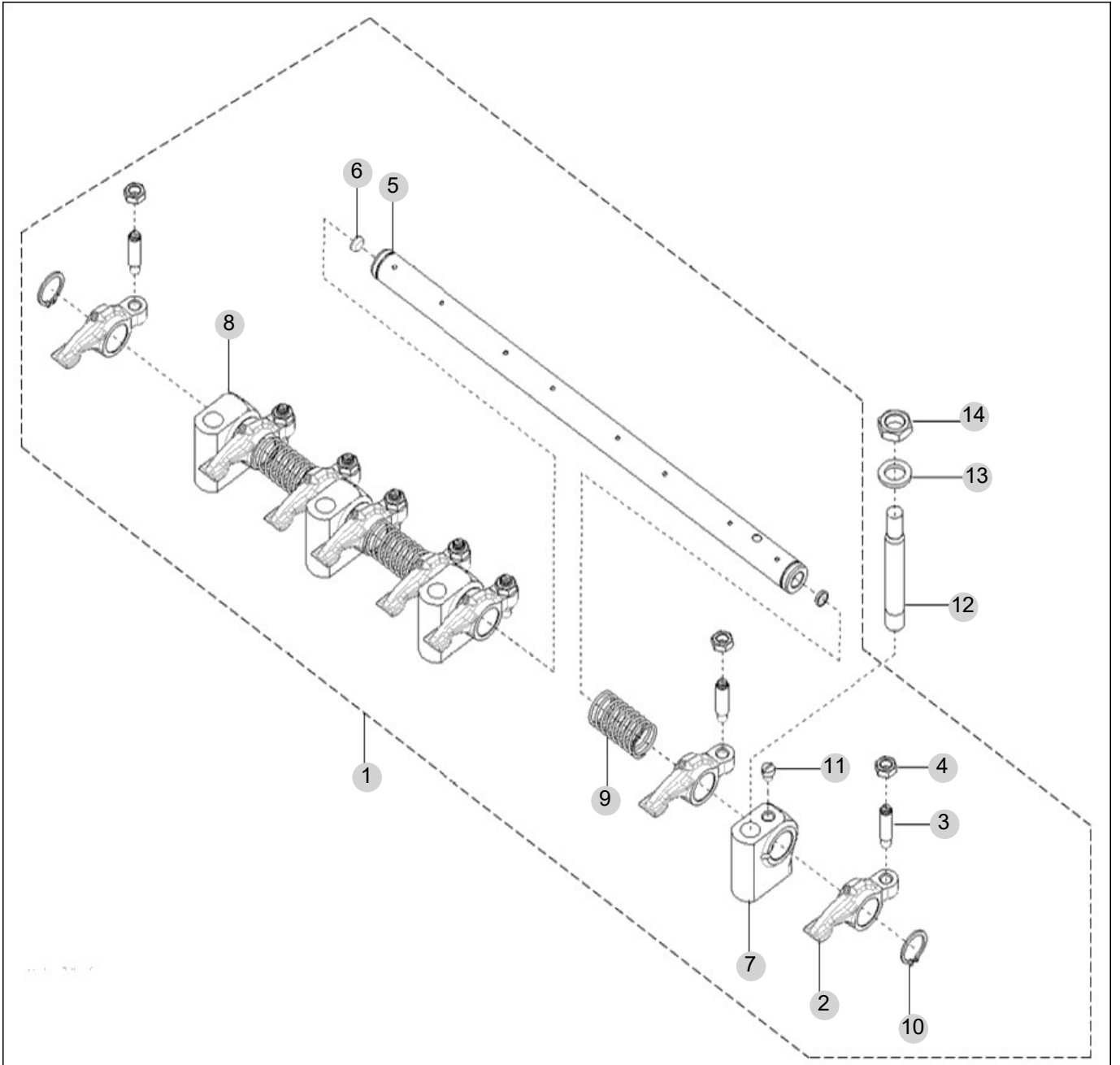
FIG 106

T475NCEU

ROCKER LEVER

년/월
Year/Month

2022-12



NOTE

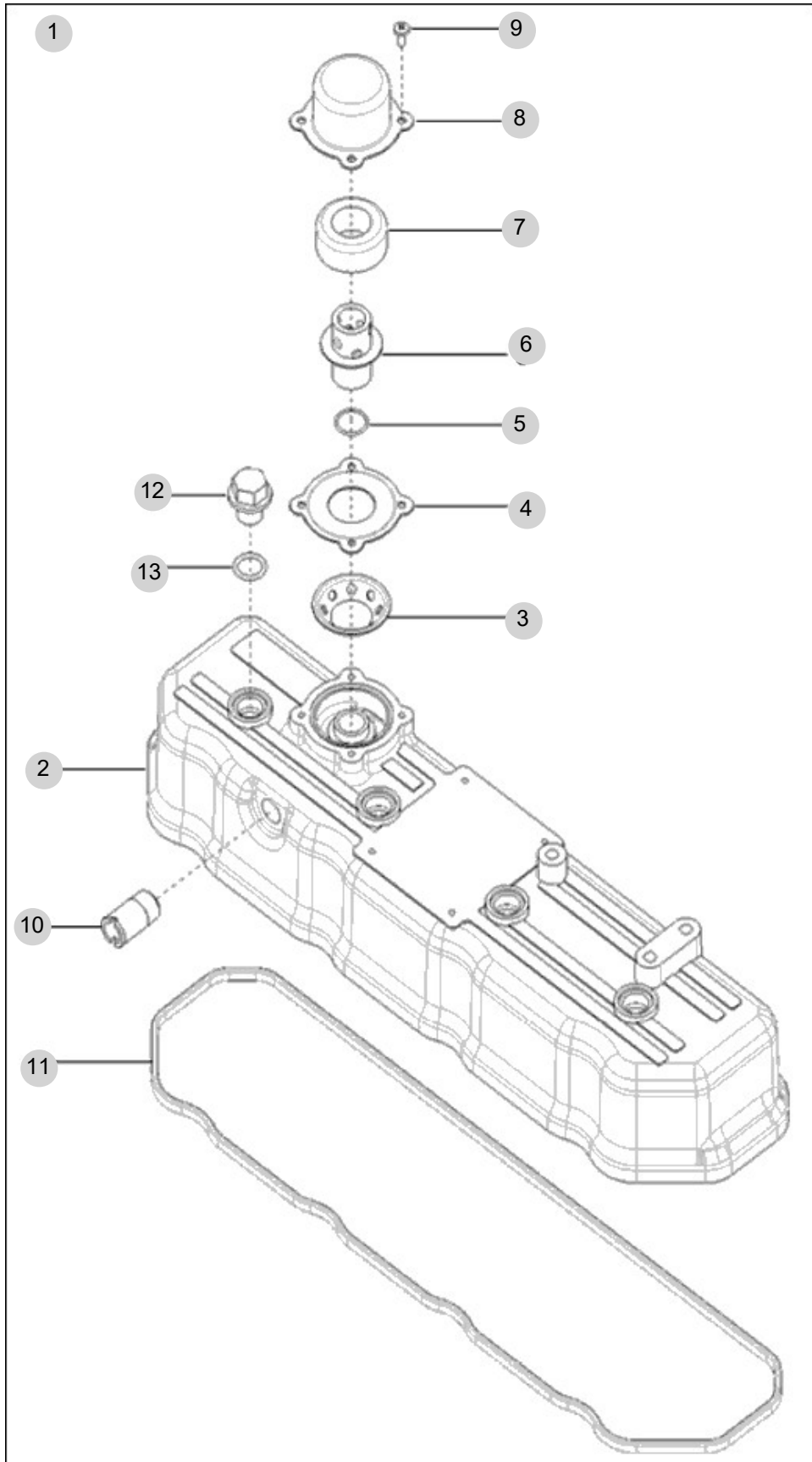
FIG 107

T475NCEU

HEAD COVER

년/월
Year/Month

2022-12



NOTE

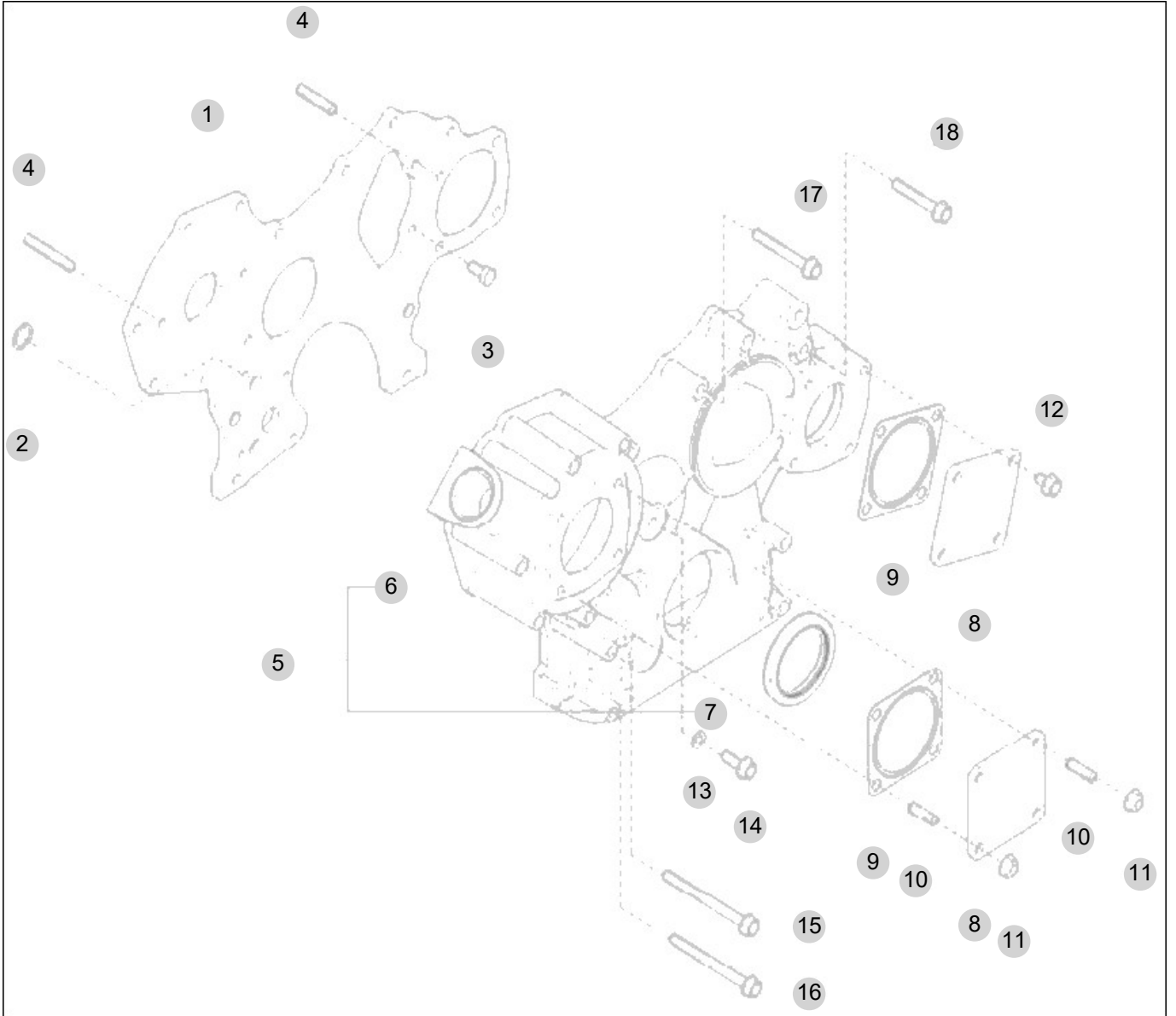
FIG 108

GEAR CASE

년/월
Year/Month

T475NCEU

2022-12



NOTE

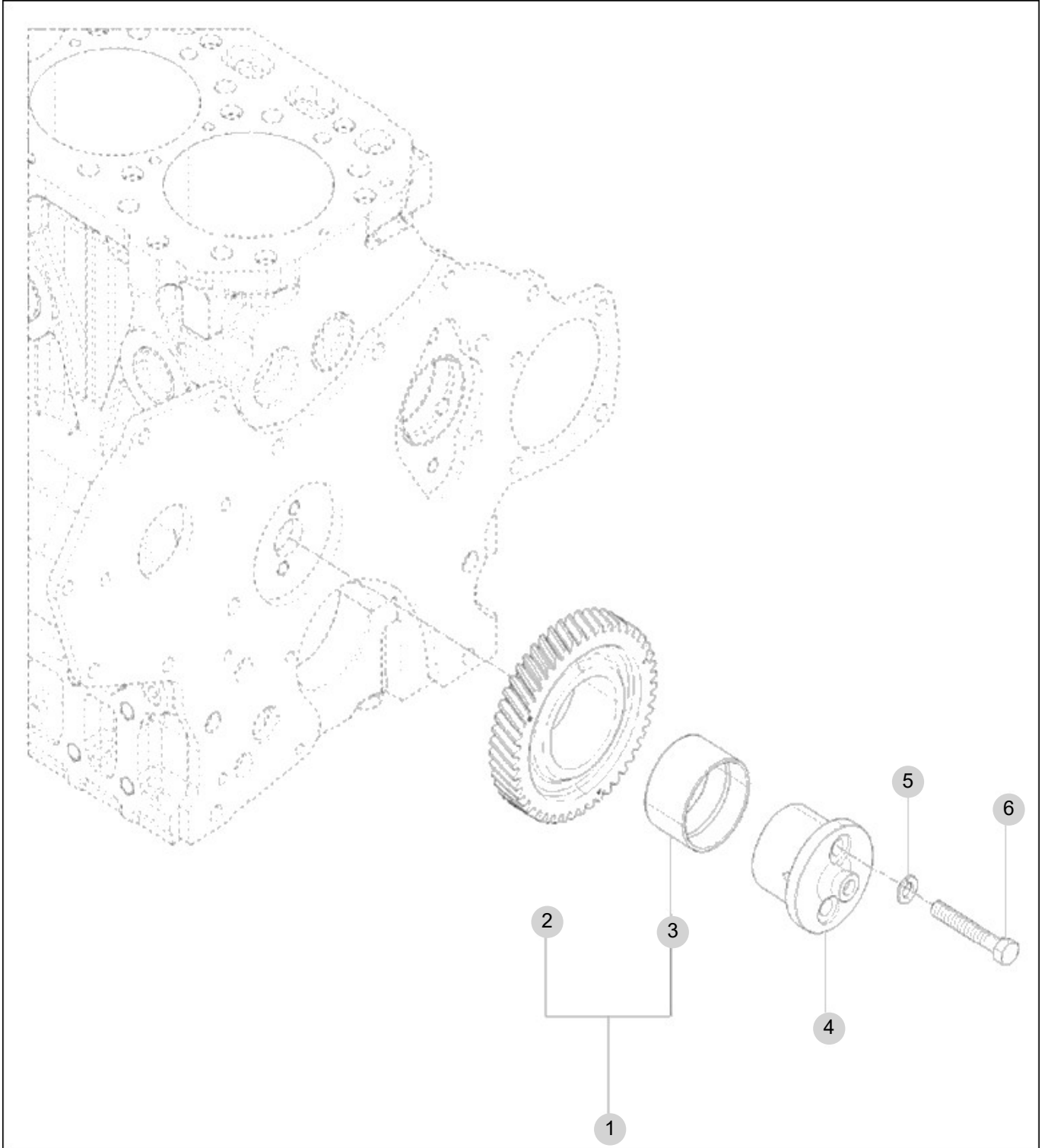
FIG 109

T475NCEU

IDLE GEAR

년/월
Year/Month

2022-12



NOTE

FIG 109		IDLE GEAR						년/월 Year/Month	
								2022-12	
T475NCEU									
KEY NO	PART NO	DESCRIPTION		SPEC	QTY	REPAIR	EFFECTIVE DATE	REMARKS	
109	1	HRA0700600A	IDLE GEAR ASS'Y		1				
109	2	HRA0700601A	IDLE GEAR		1				
109	3	HH08120000A	BUSH(IDLE GEAR)		1				
109	4	EA00000848B	SHAFT, IDLE GEAR		1				
109	5	22217-080000	스프링와셔		2				
109	6	HRU0700700A	BOLT(IDLE SHAFT)		2				
NOTE									

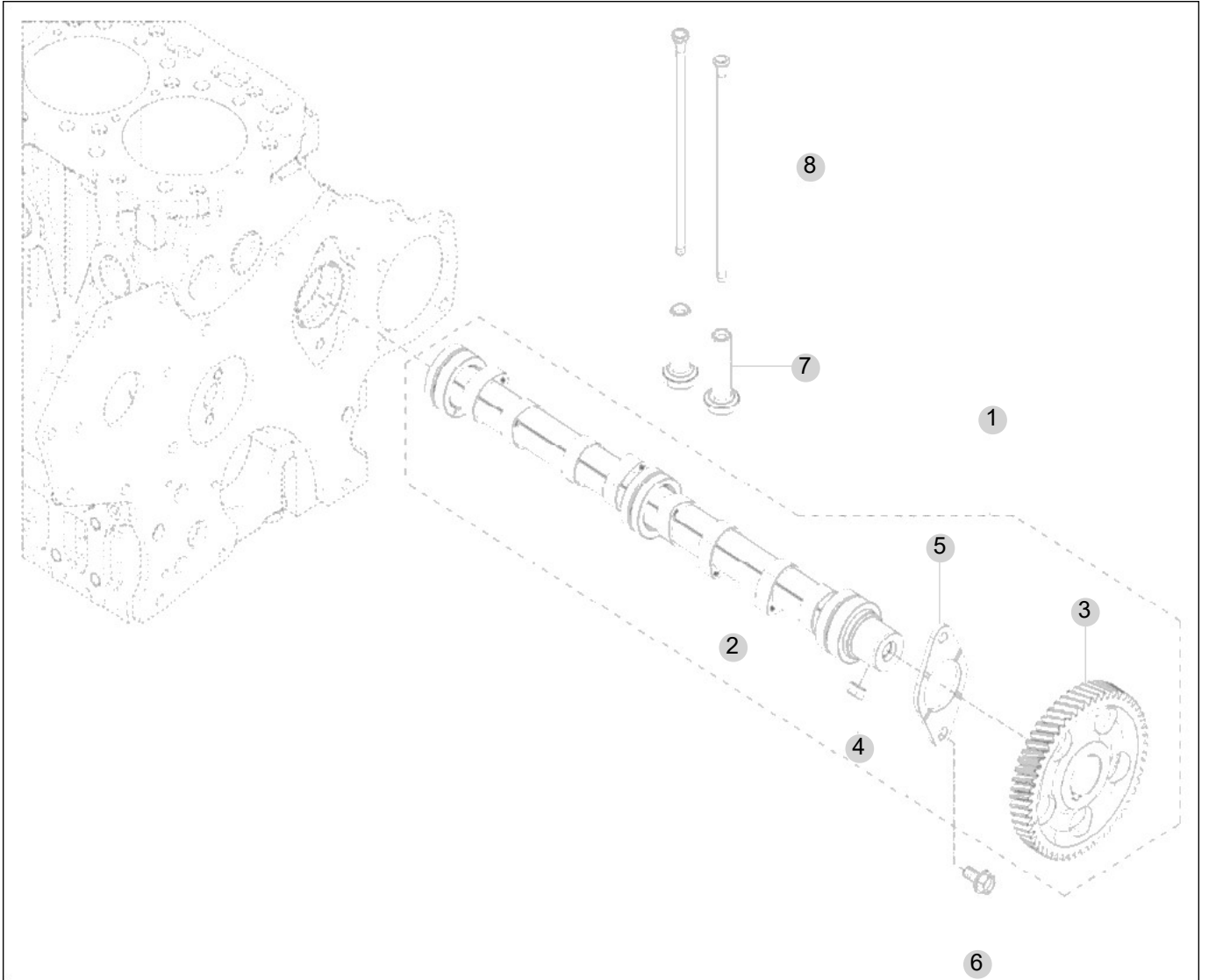
FIG 110

CAM SHAFT

년/월
Year/Month

T475NCEU

2022-12



NOTE

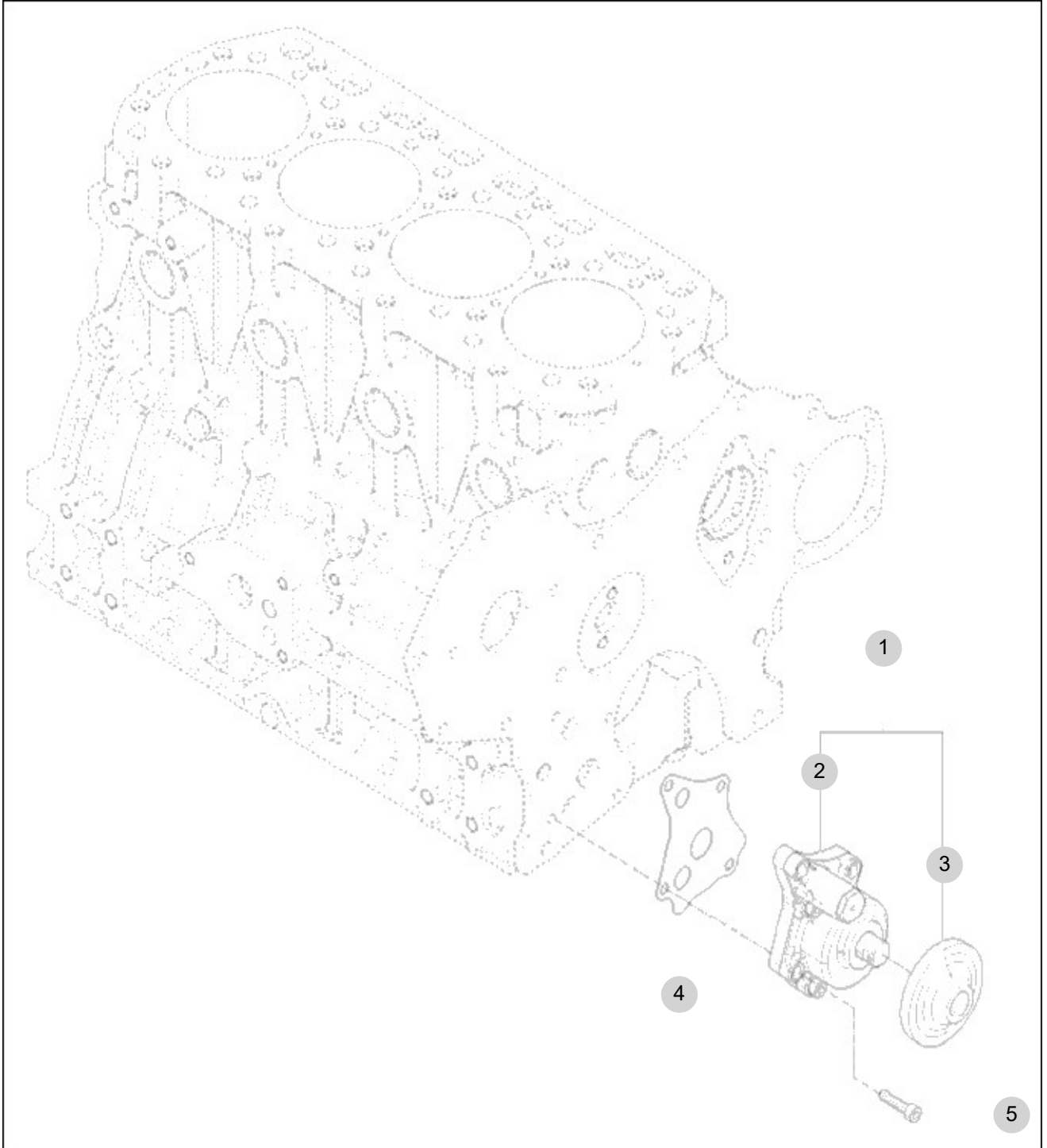
FIG 111

OIL PUMP

년/월
Year/Month

T475NCEU

2022-12



NOTE

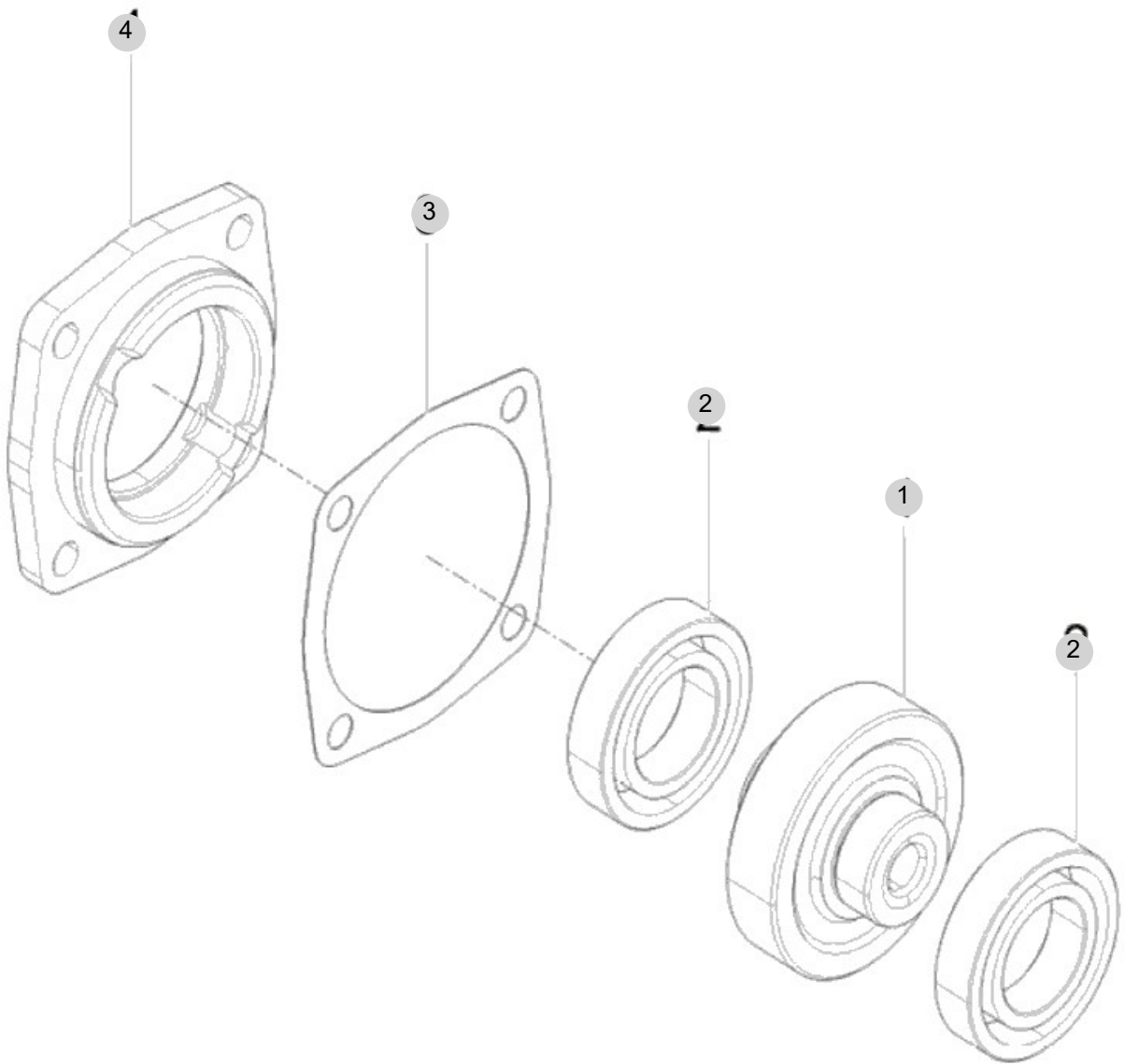
FIG 112

T475NCEU

HYD. PUMP DRIVE

년/월
Year/Month

2022-12



NOTE

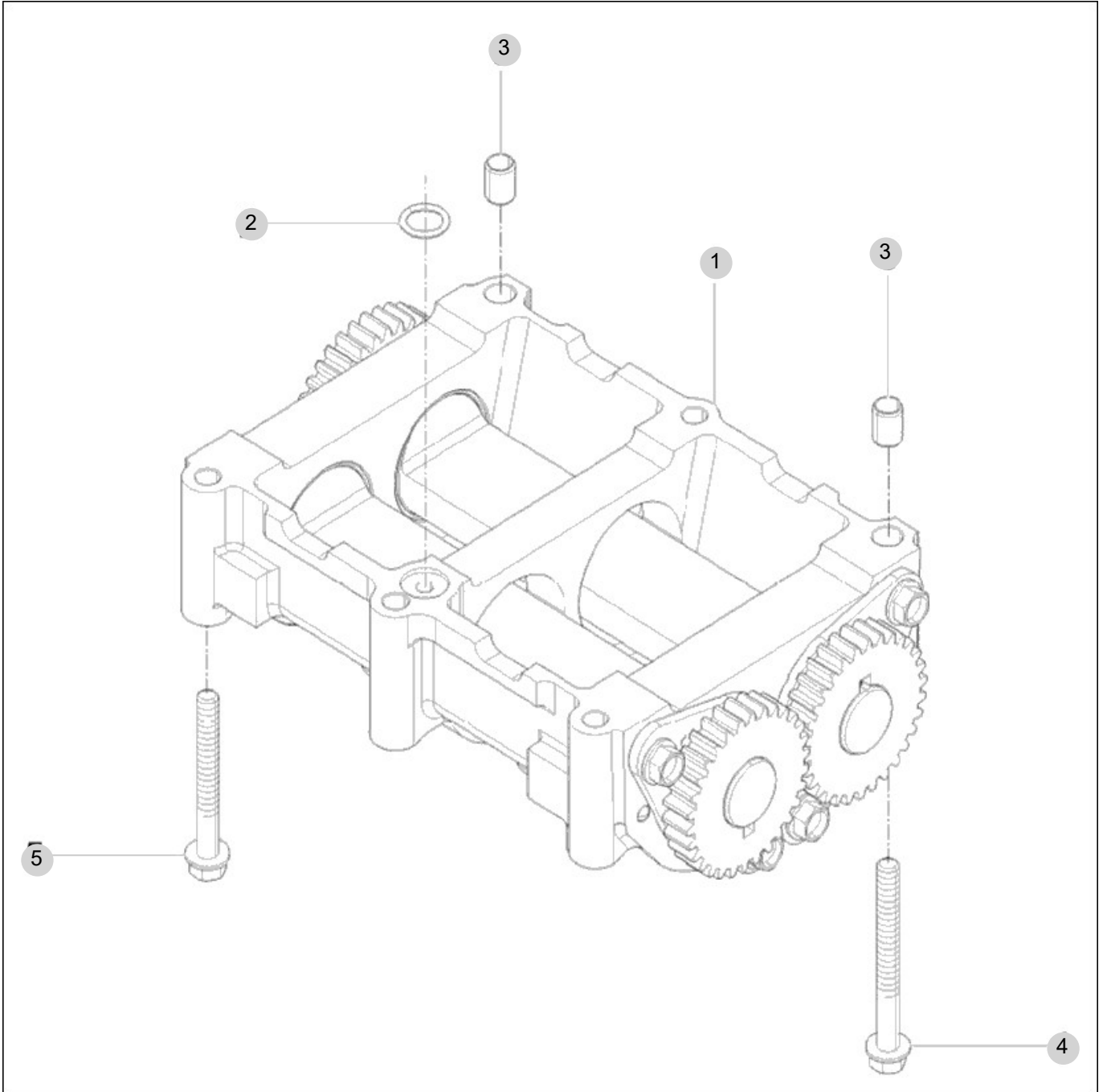
FIG 113

T475NCEU

2ND BALANCE

년/월
Year/Month

2022-12



NOTE

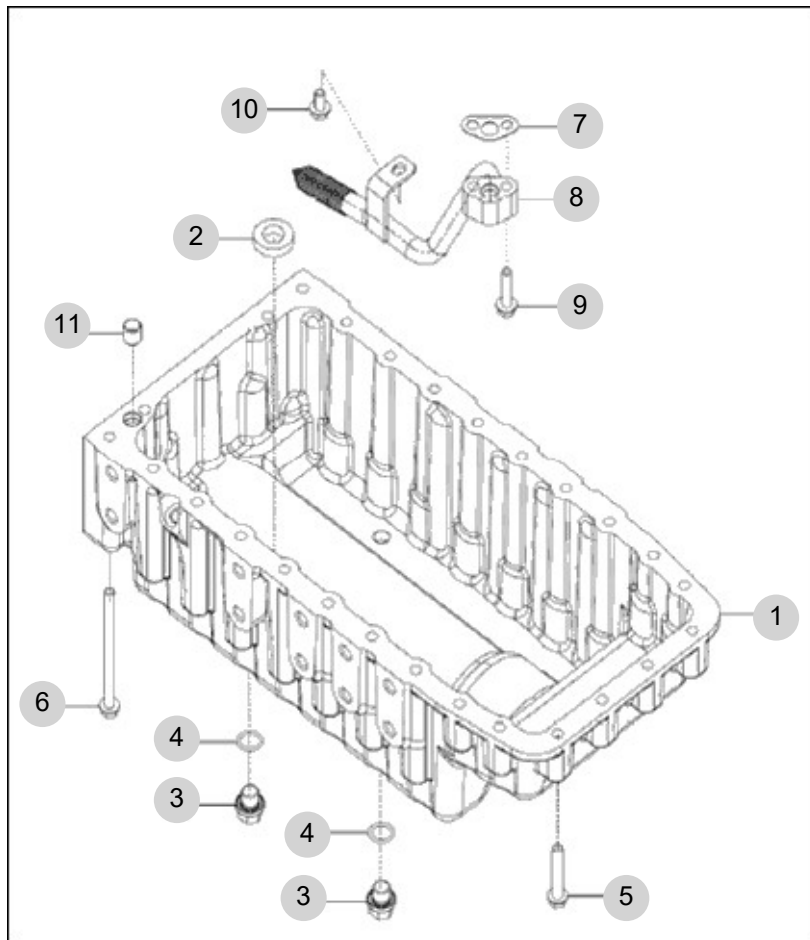
FIG 114

T475NCEU

OIL PAN

년/월
Year/Month

2022-12



NOTE

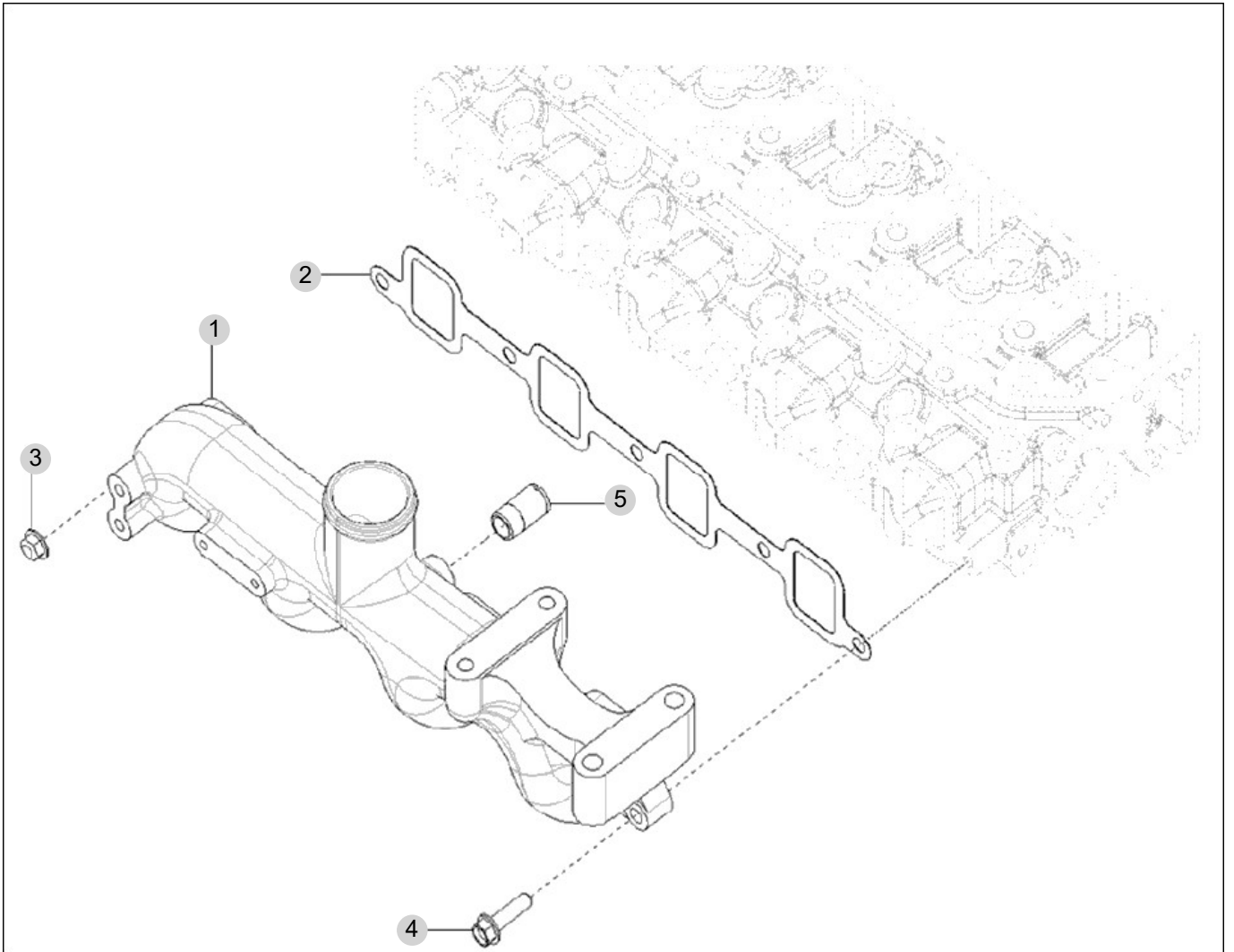
FIG 115

T475NCEU

INTAKE MANIFOLD

년/월
Year/Month

2022-12



NOTE

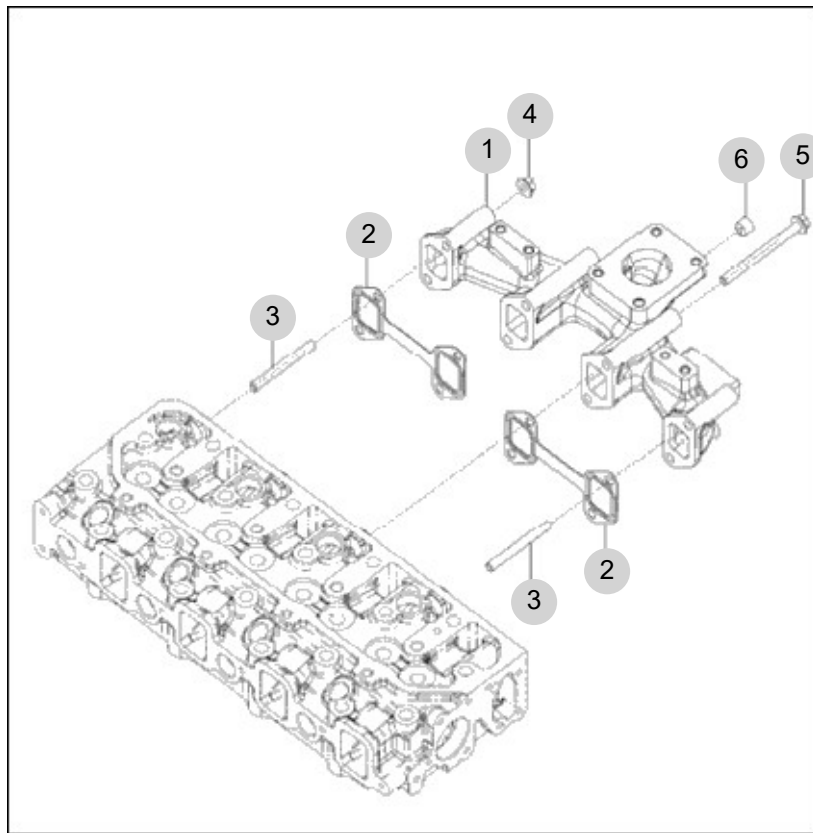
FIG 116

T475NCEU

EXHAUST MANIFOLD

년/월
Year/Month

2022-12



NOTE

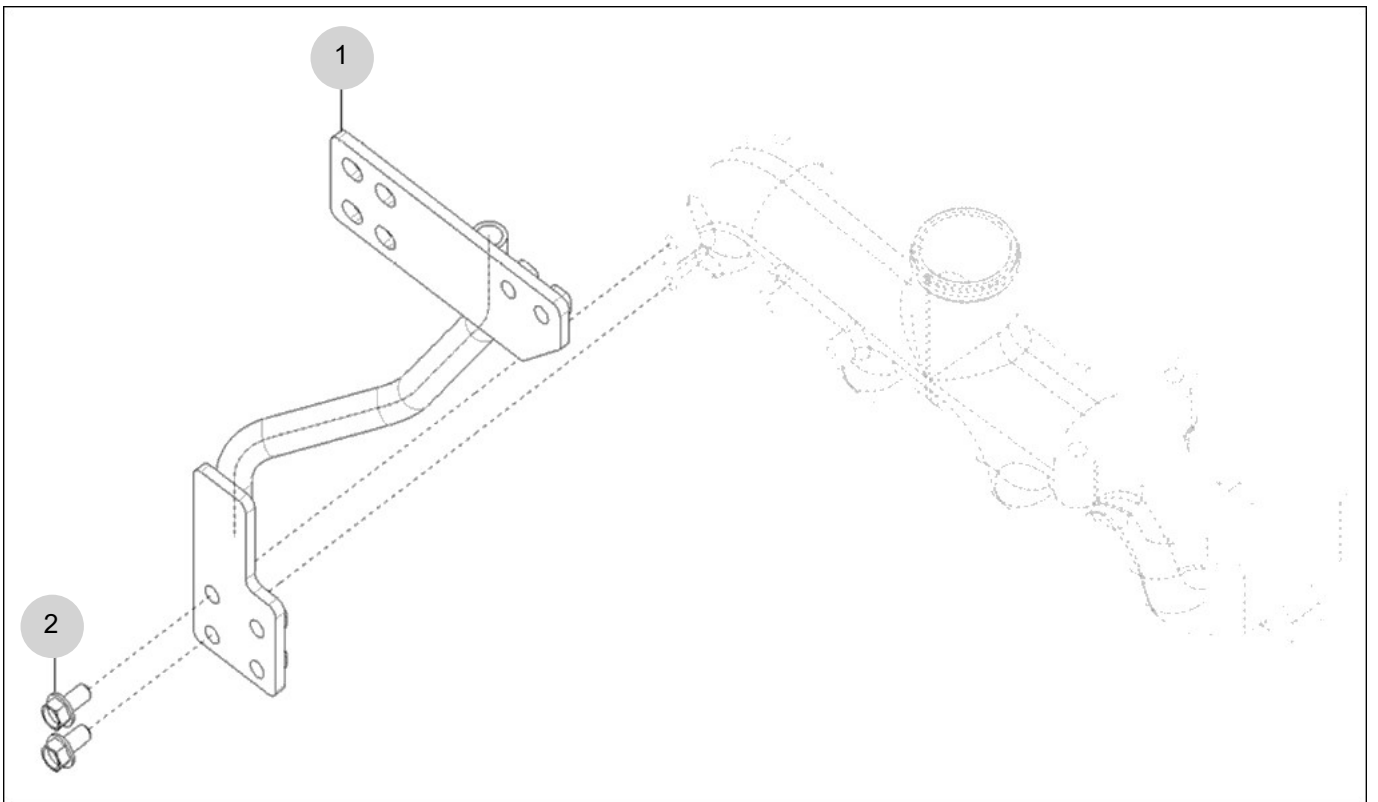
FIG 117

T475NCEU

DPF SUPPORT OPTION

년/월
Year/Month

2022-12



NOTE

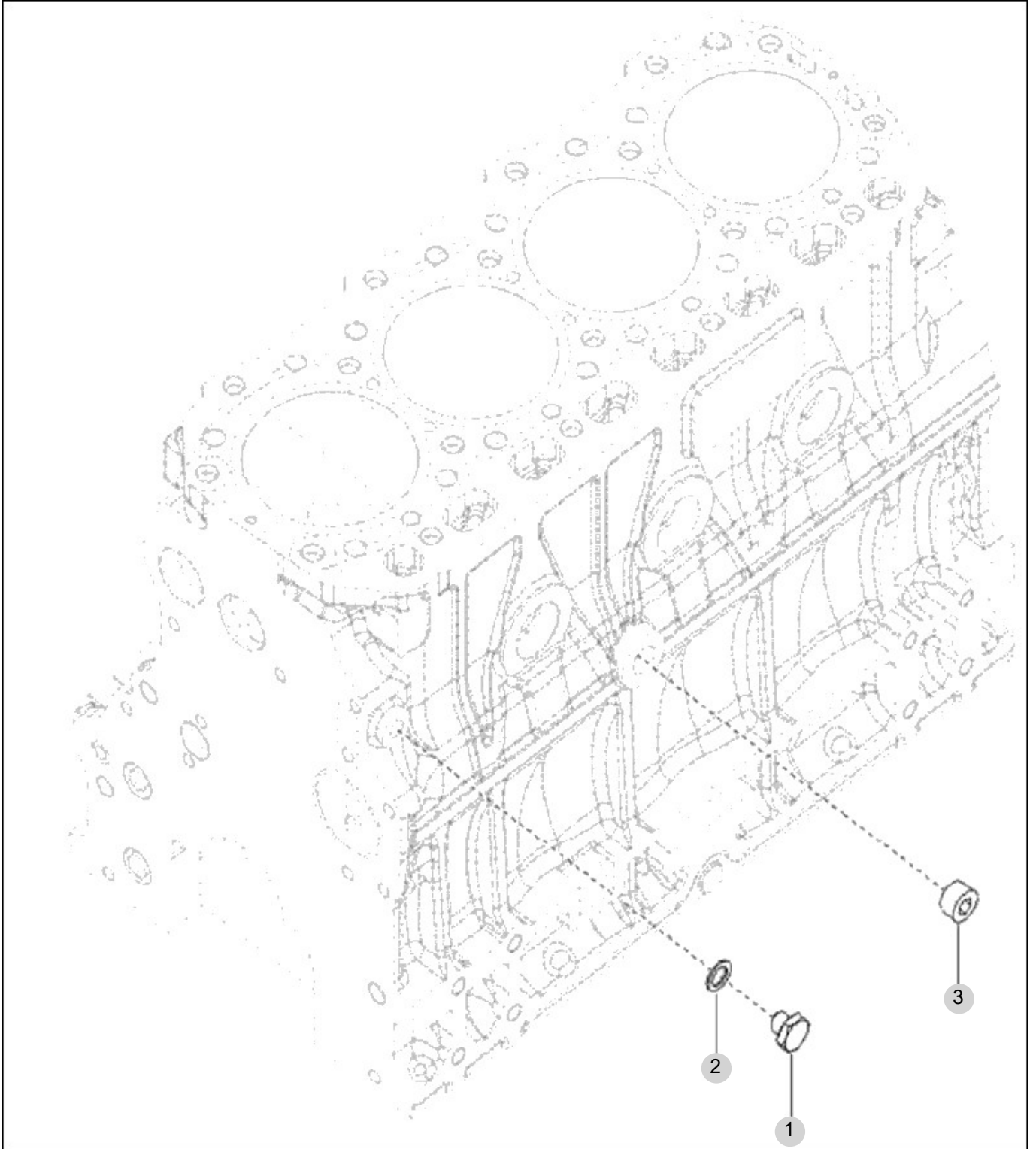
FIG 118

TURBOCHARGER PLUMBING OPTION

년/월
Year/Month

T475NCEU

2022-12



NOTE

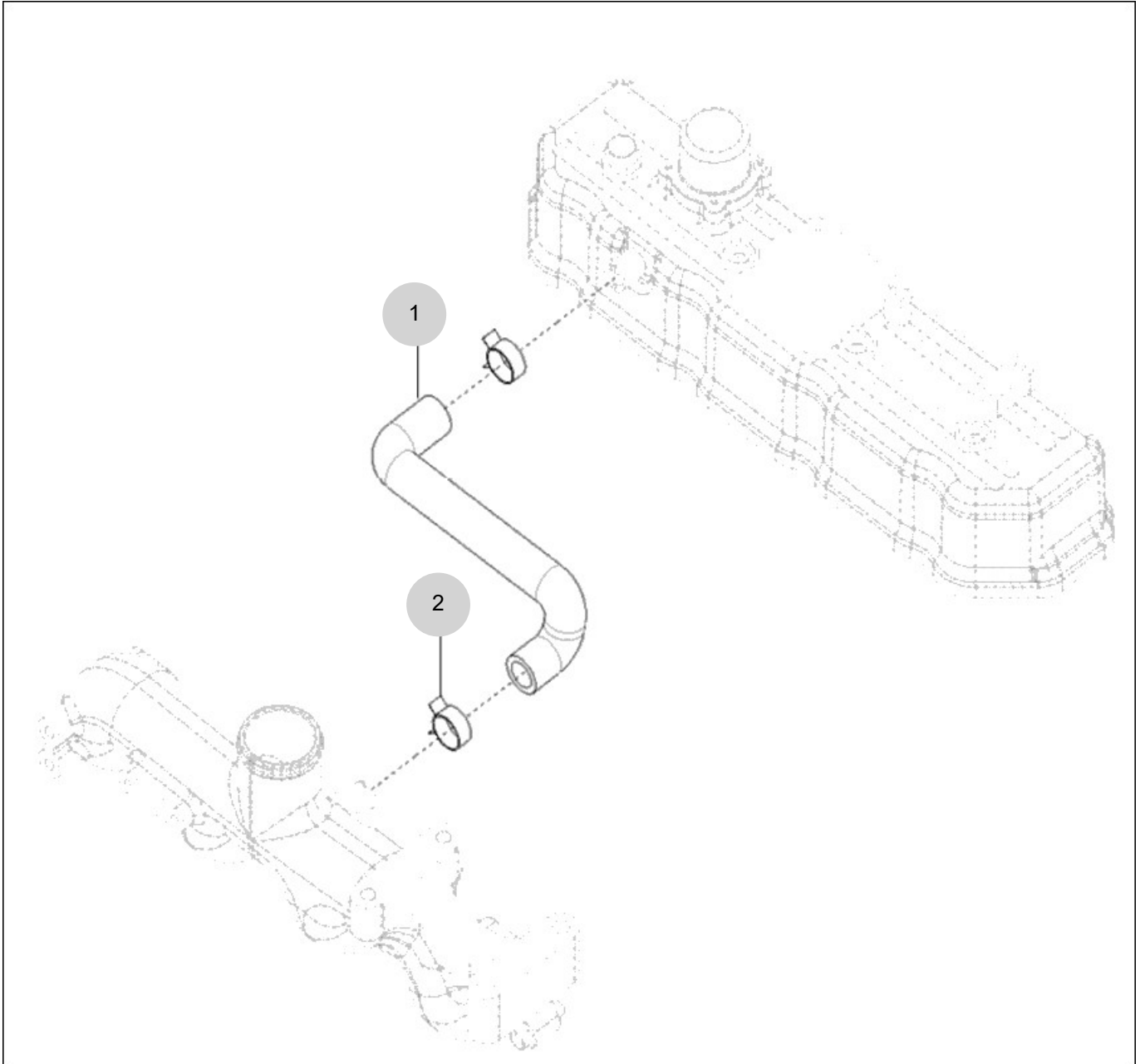
FIG 119

T475NCEU

BREATHER

년/월
Year/Month

2022-12



NOTE

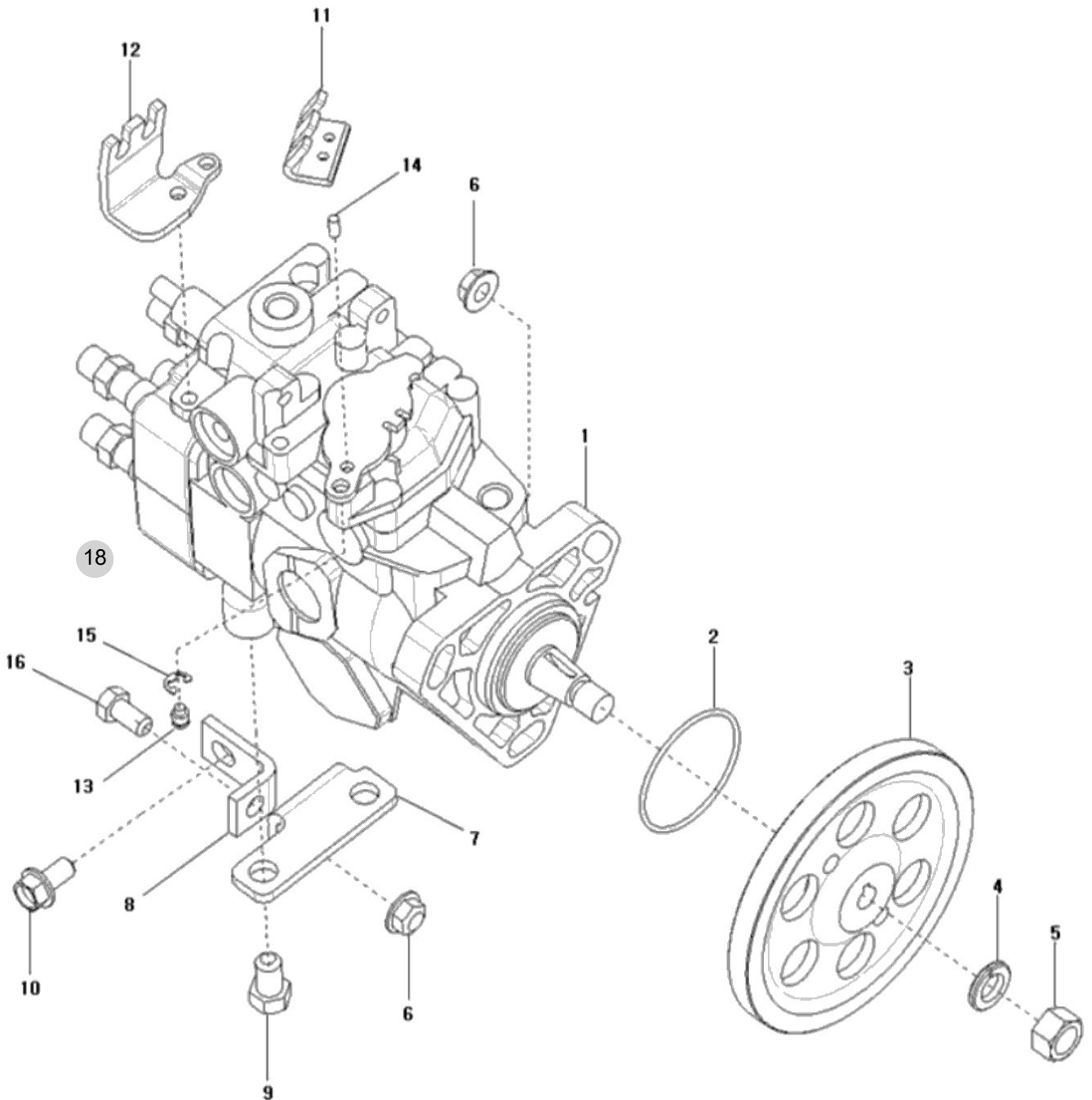
FIG 120

T475NCEU

FUEL INJECTION PUMP

년/월
Year/Month

2022-12



NOTE

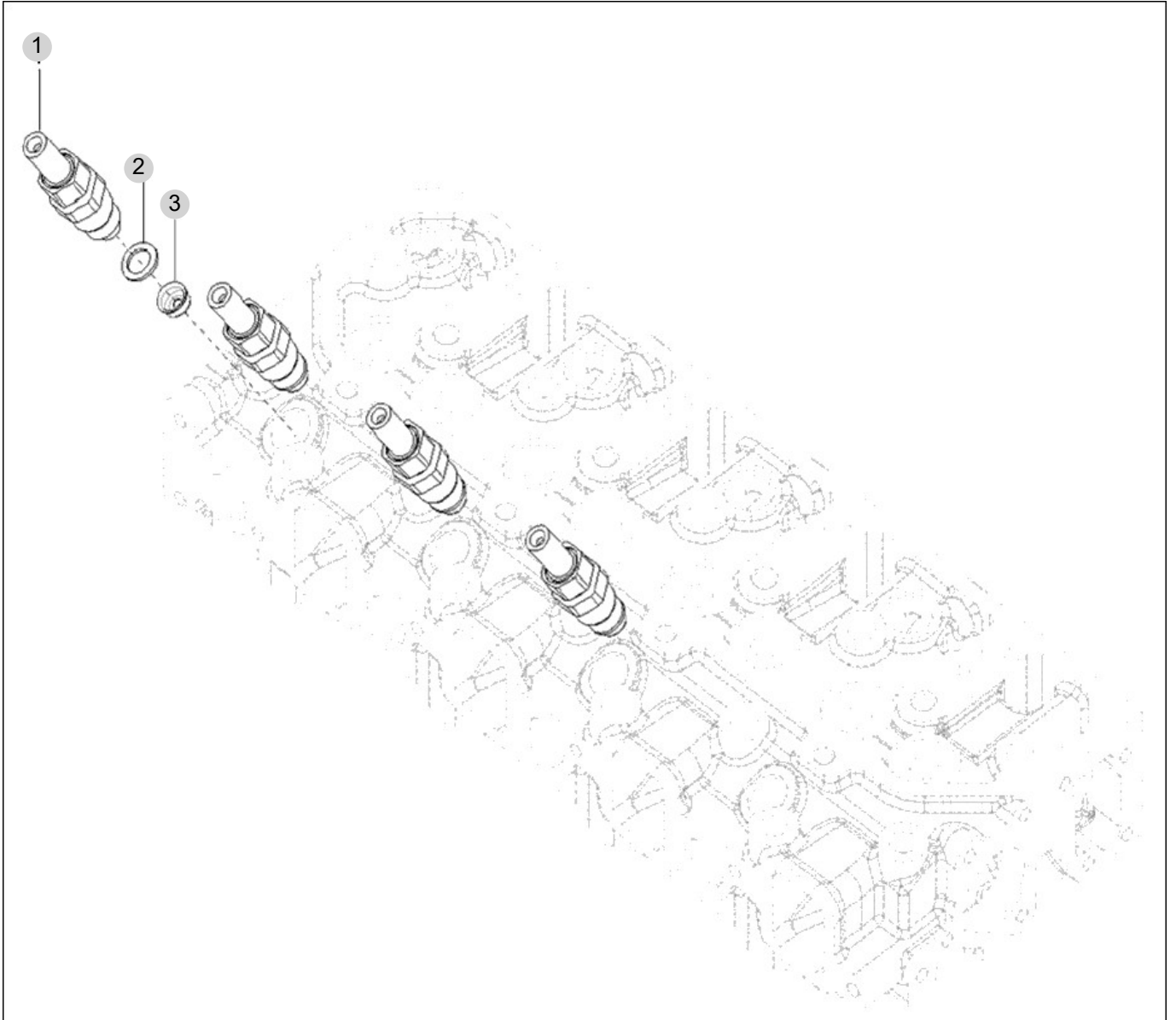
FIG 121

FUEL INJECTION VALVE

년/월
Year/Month

T475NCEU

2022-12



NOTE

FIG 121 T475NCEU		FUEL INJECTION VALVE						년/월 Year/Month	
								2022-12	
KEY NO		PART NO	DESCRIPTION	SPEC	QTY	REPAIR	EFFECTIVE DATE	REMARKS	
121	1	EA00000642B	연료분사밸브조합		4				
121	1	EA00000642A	연료분사밸브(EA00000642B로 주문변경)		4				
121	2	HRA0404900A	씰(HRA0404900A4로 주문변경요)		4				
121	3	HRA0405000A	스페이서(HRA0405000A4로 주문변경)		4				
NOTE									

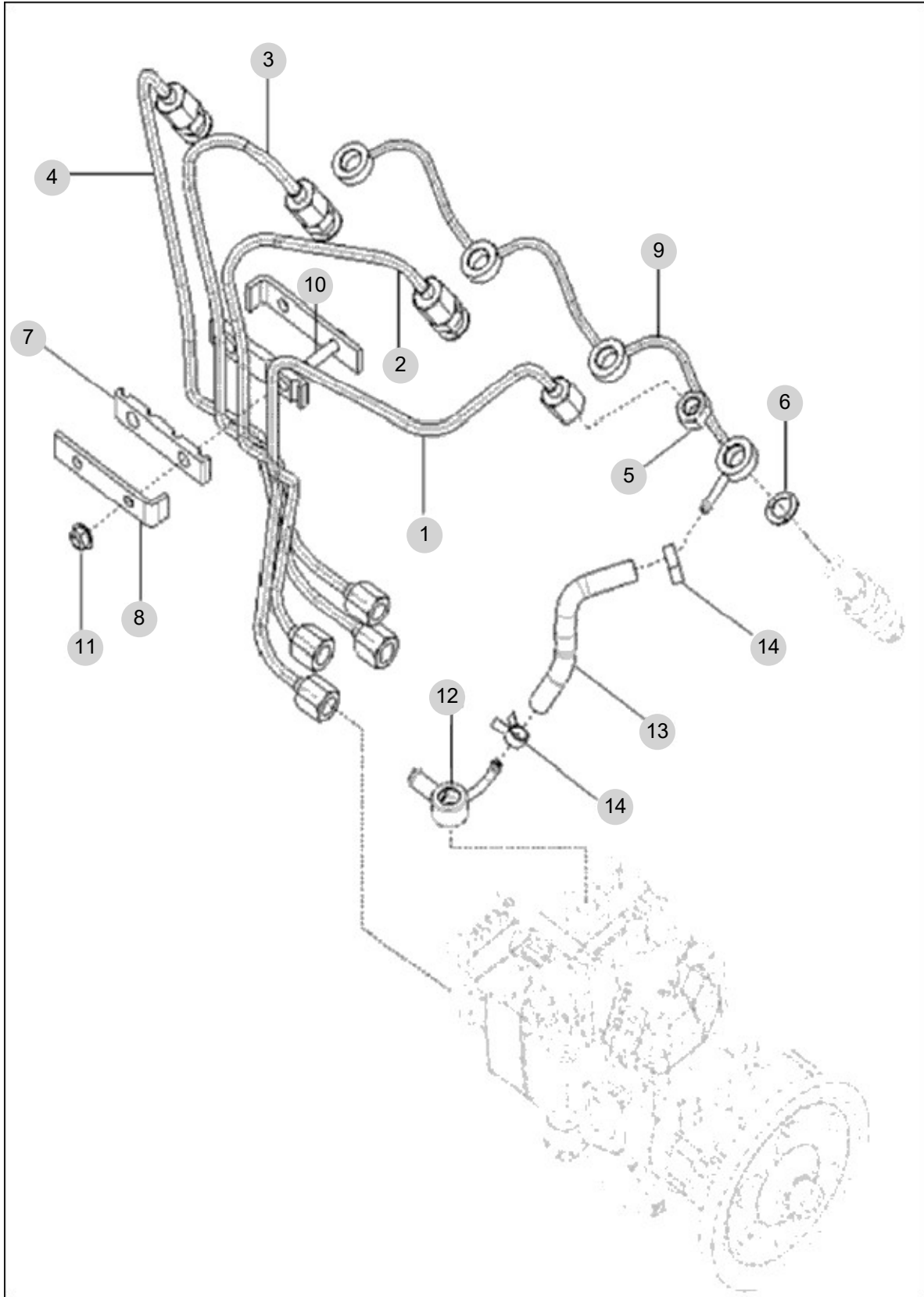
FIG 122

FUEL PIPE ASS'Y

년/월
Year/Month

T475NCEU

2022-12



NOTE

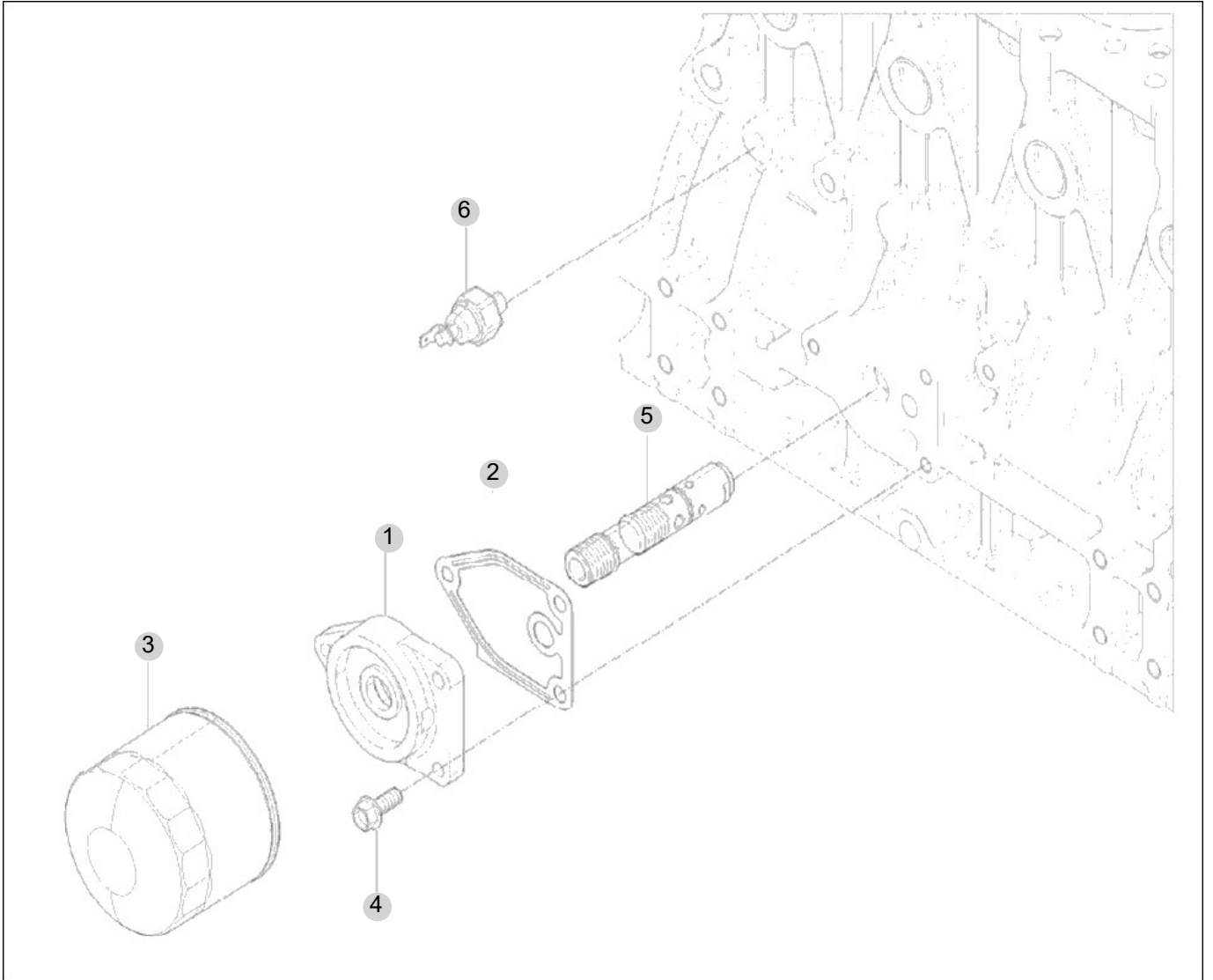
FIG 123

T475NCEU

OIL FILTER

년/월
Year/Month

2022-12



NOTE

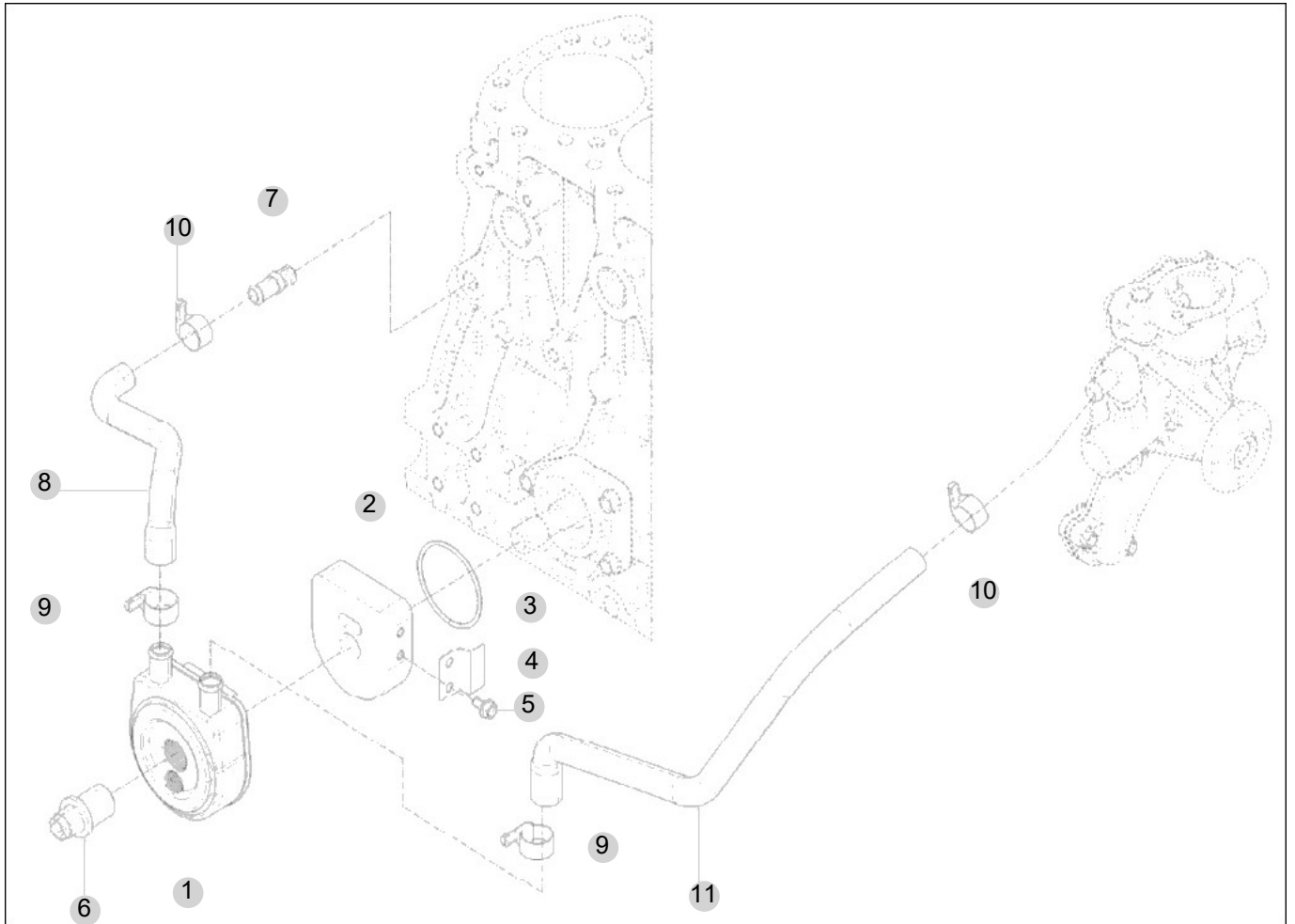
FIG 124

OIL COOLER

년/월
Year/Month

T475NCEU

2022-12



NOTE

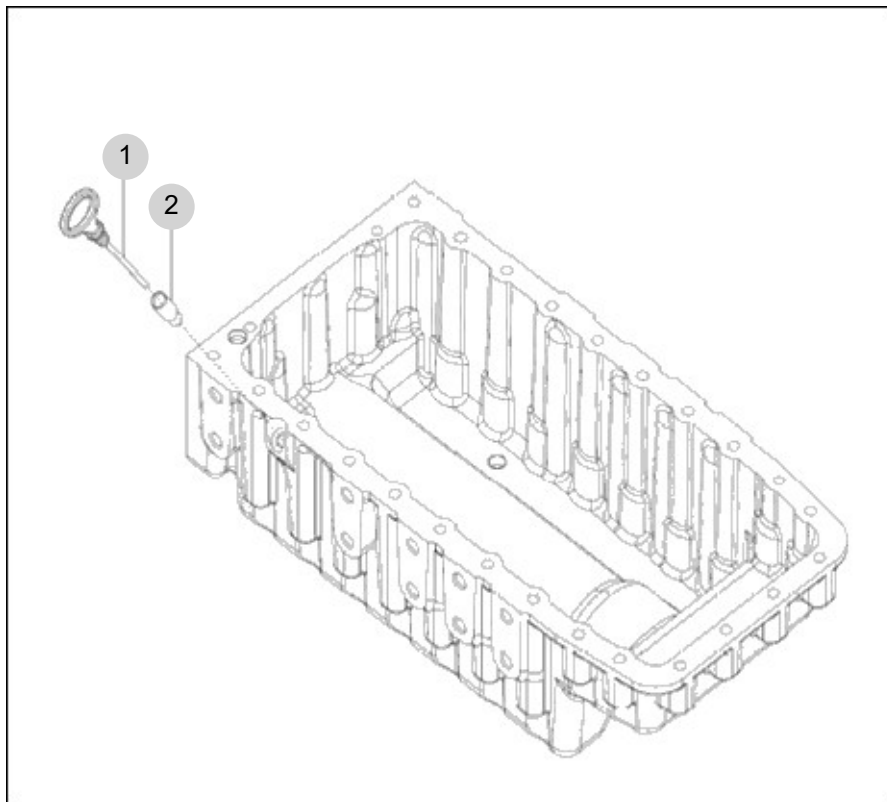
FIG 125

OIL GAUGUE

년/월
Year/Month

T475NCEU

2022-12



NOTE

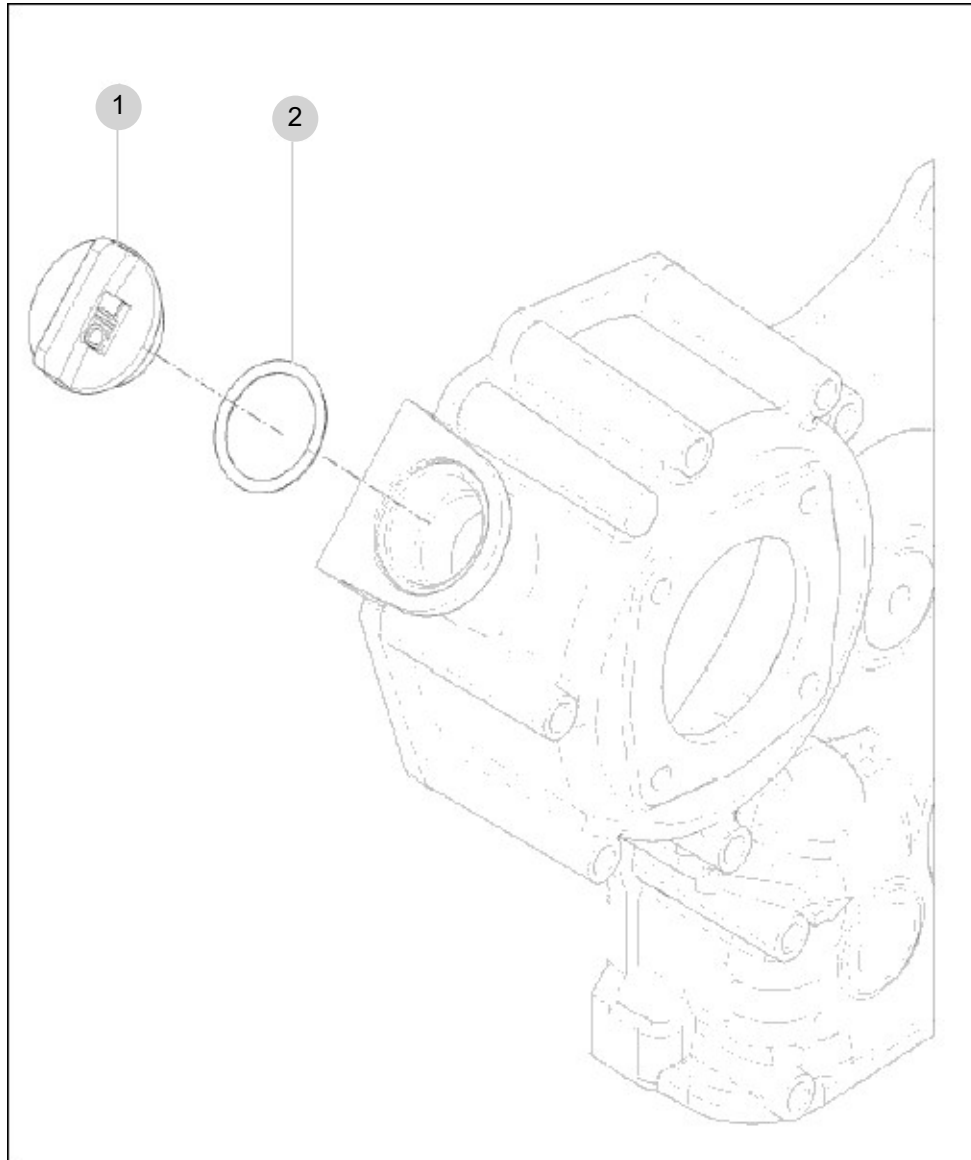
FIG 126

T475NCEU

OIL FILLER CAP

년/월
Year/Month

2022-12



NOTE

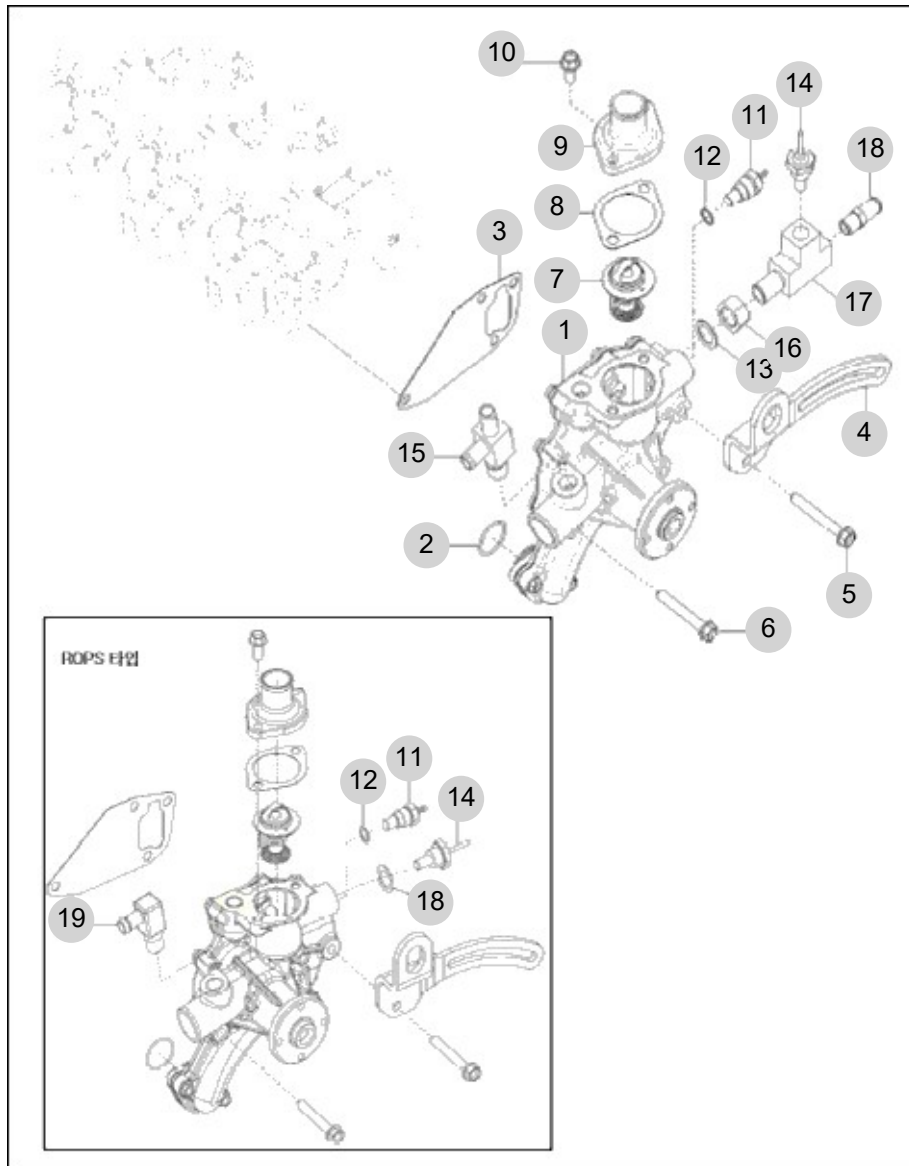
FIG 127

COOLING WATER PUMP

년/월
Year/Month

2022-12

T475NCEU



NOTE

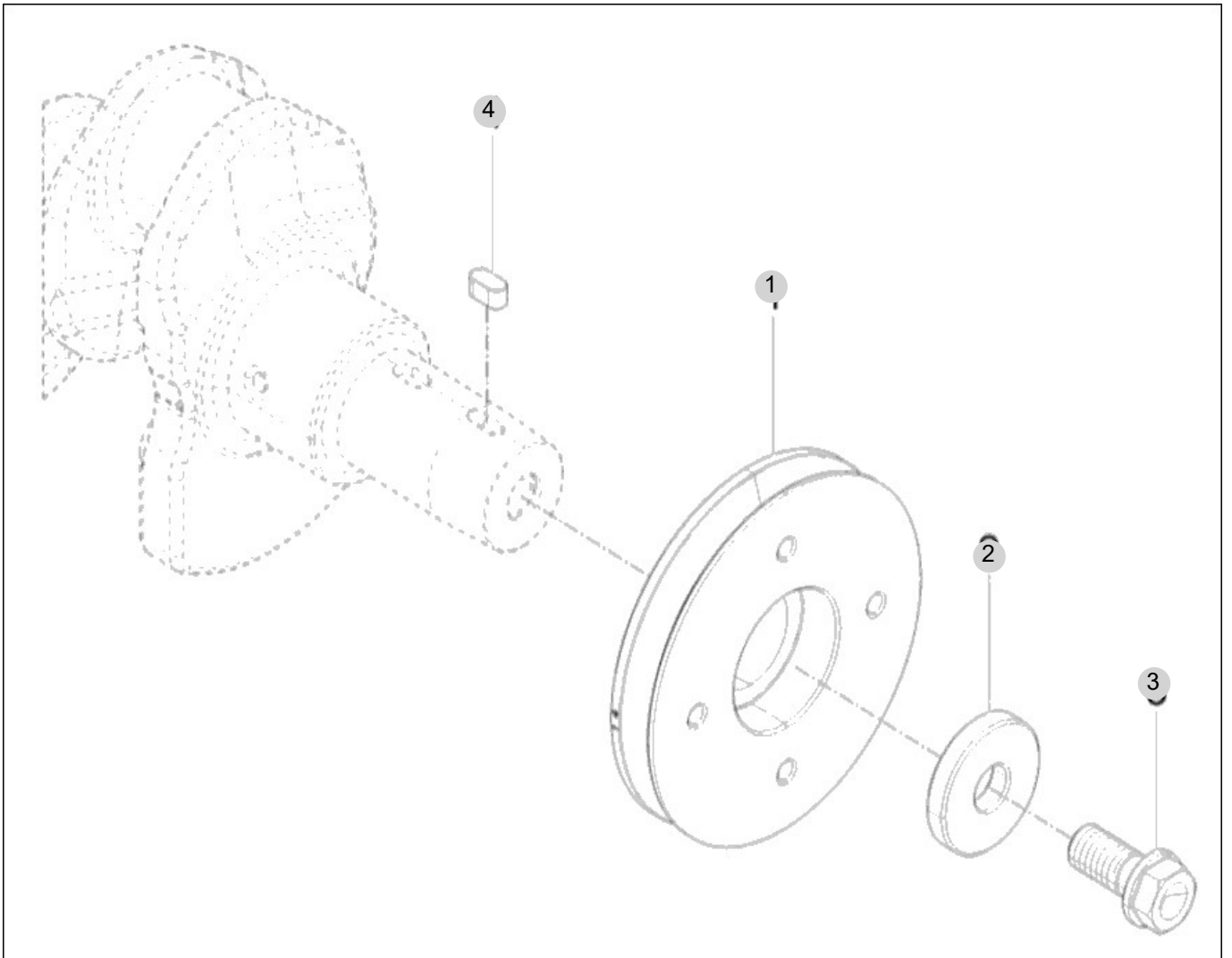
FIG 128

T475NCEU

CRANK SHAFT PULLEY

년/월
Year/Month

2022-12



NOTE

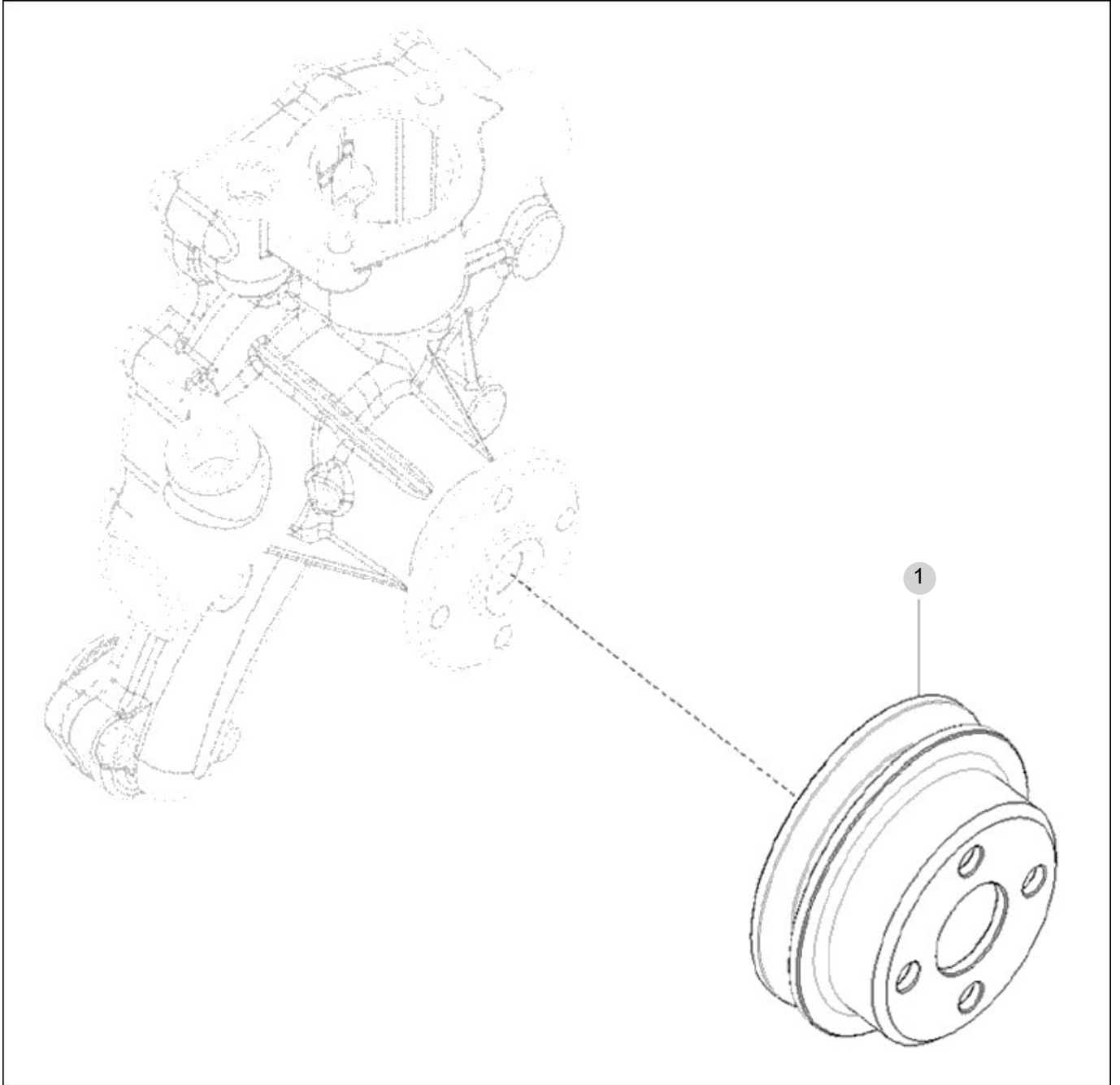
FIG 129

V-PULLEY

년/월
Year/Month

T475NCEU

2022-12



NOTE

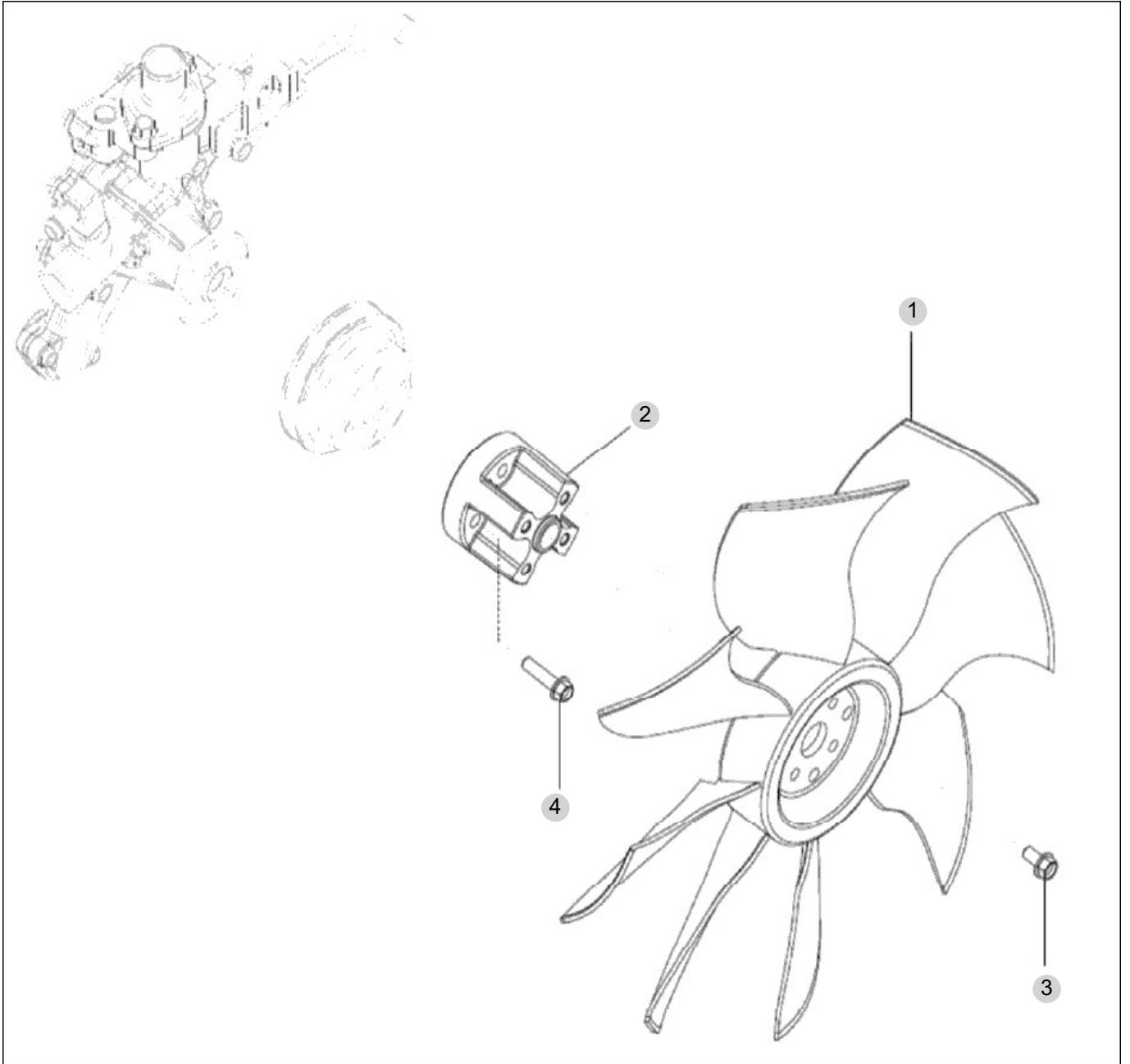
FIG 130

COOLING FAN

년/월
Year/Month

T475NCEU

2022-12



NOTE

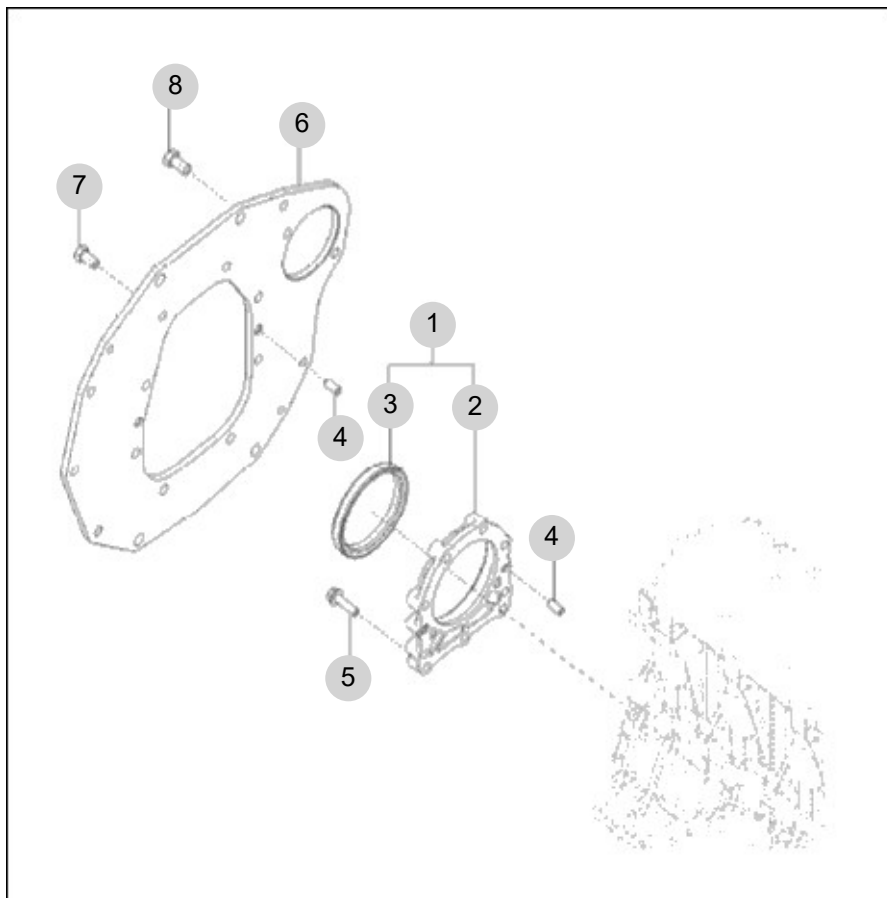
FIG 131

T475NCEU

FLYWHEEL HOUSING

년/월
Year/Month

2022-12



NOTE

FIG 131 T475NCEU		FLYWHEEL HOUSING					년/월 Year/Month	REMARKS
							2022-12	
KEY NO	PART NO	DESCRIPTION	SPEC	QTY	REPAIR	EFFECTIVE DATE	REMARKS	
131	1	HRC0300800A	오일씰하우징 AS(HRA0301401B2단품으로 주문변경)					
131	2	HRA0301401B	오일실하우징(HRA0301401B3)					
131	3	HRC0300802A	OIL SEAL(F)					
131	4	22312-080160	핀(22312080160-로 주문변경)					
131	5	26106-080302	육각플랜지볼트					
131	6	EA00005476A	MOUNTING FLANGE					
131	7	26116-100202	HEX. BOLT					
131	8	26116-120302	HEX. BOLT					
NOTE								

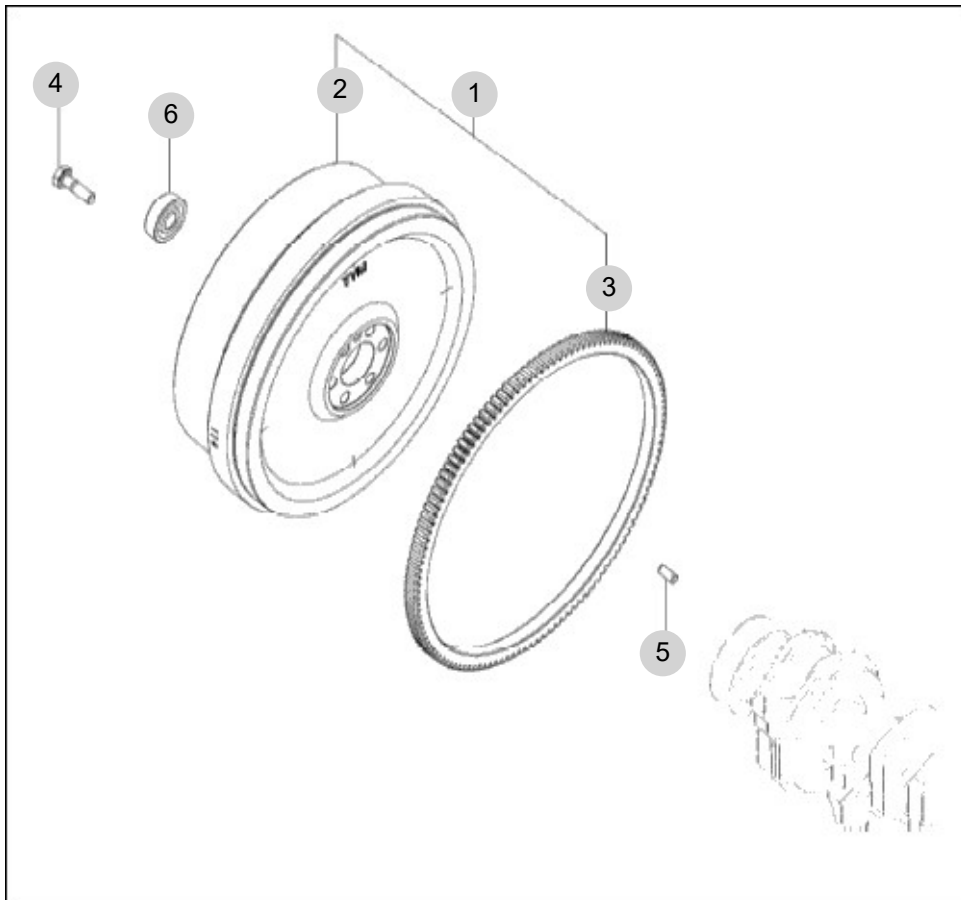
FIG 132

T475NCEU

FLYWHEEL

년/월
Year/Month

2022-12



NOTE

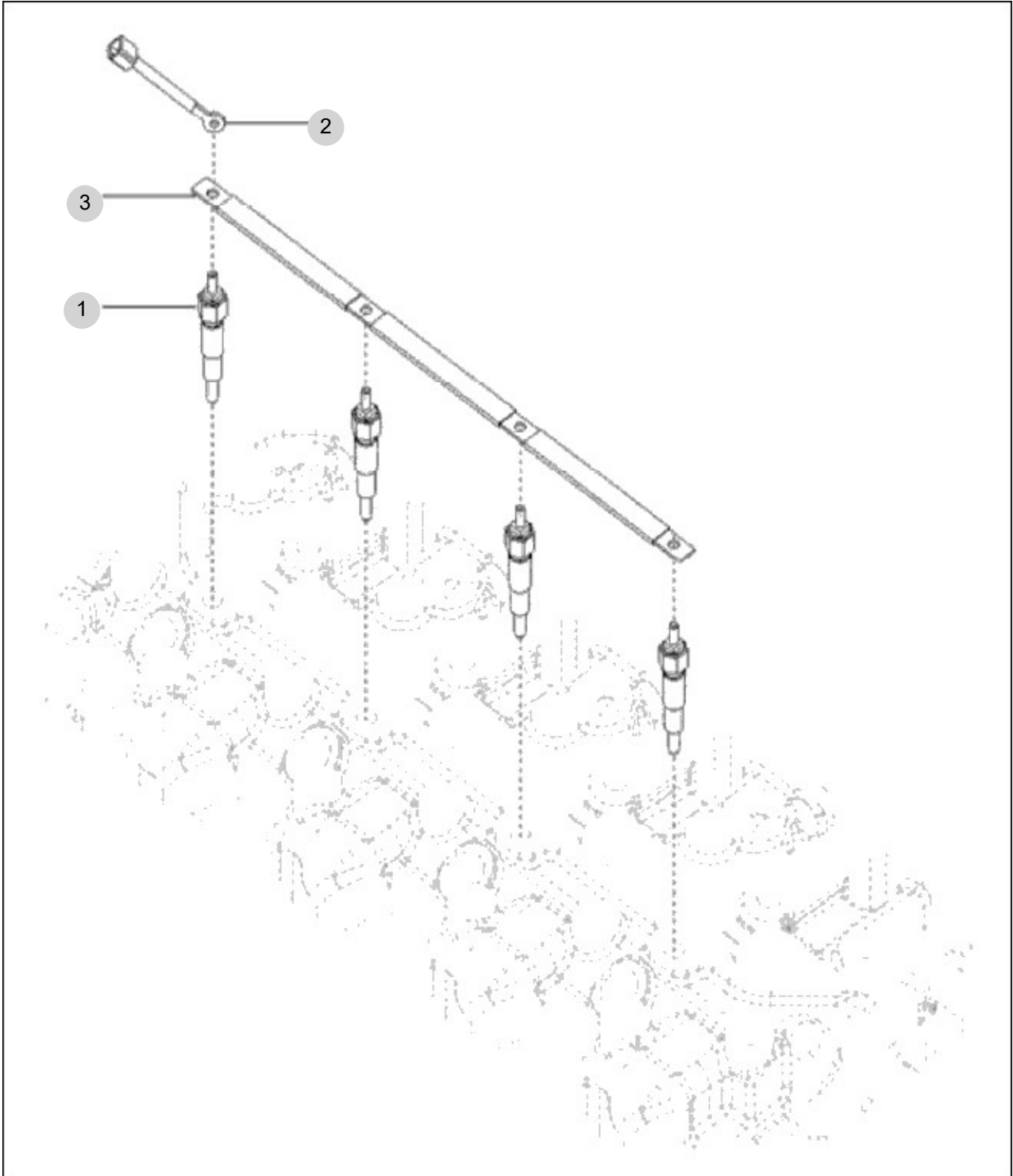
FIG 133

T475NCEU

GLOW PLUG ASS'Y OPTION

년/월
Year/Month

2022-12



NOTE

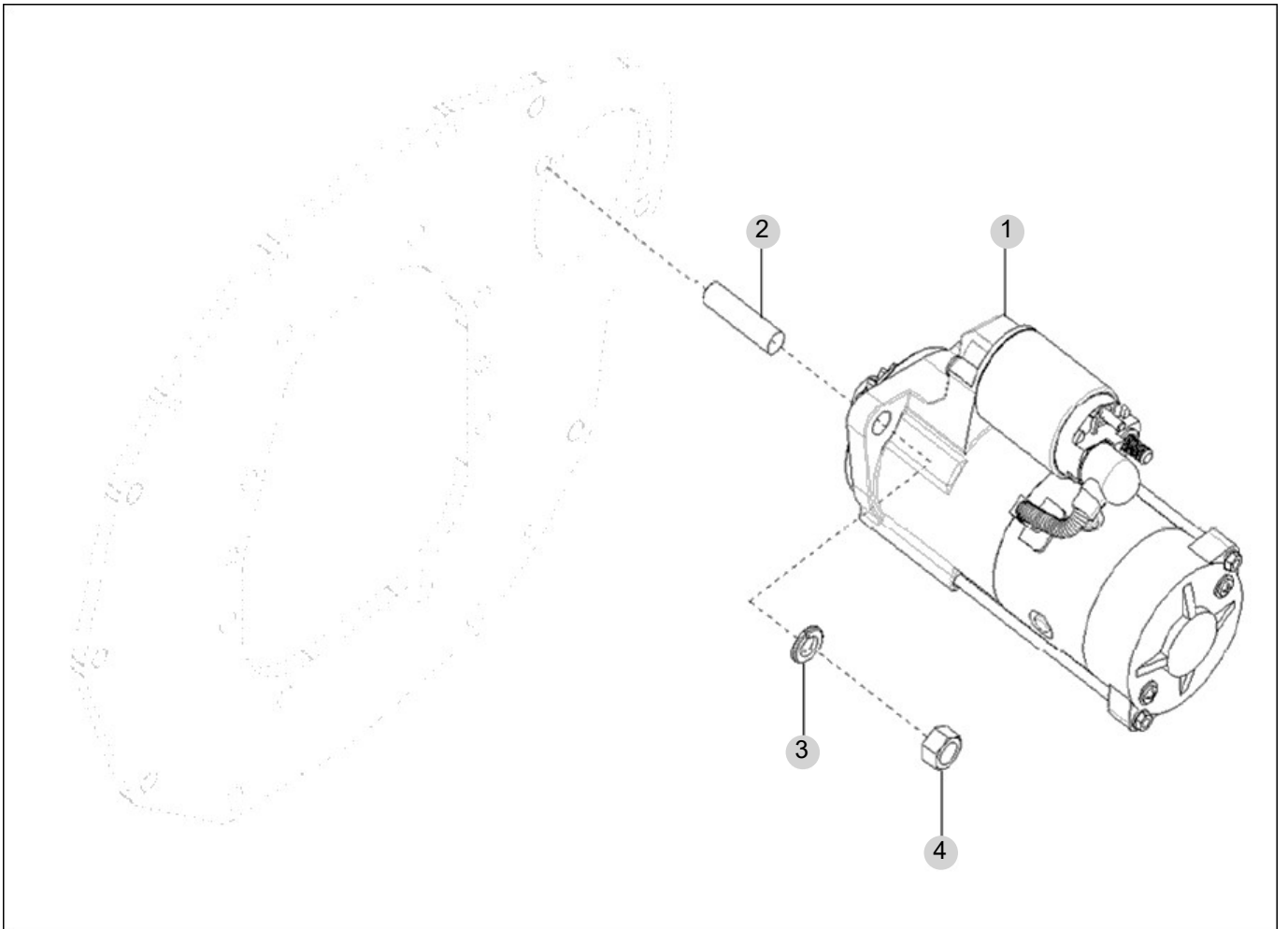
FIG 134

T475NCEU

STARTING MOTOR

년/월
Year/Month

2022-12



NOTE

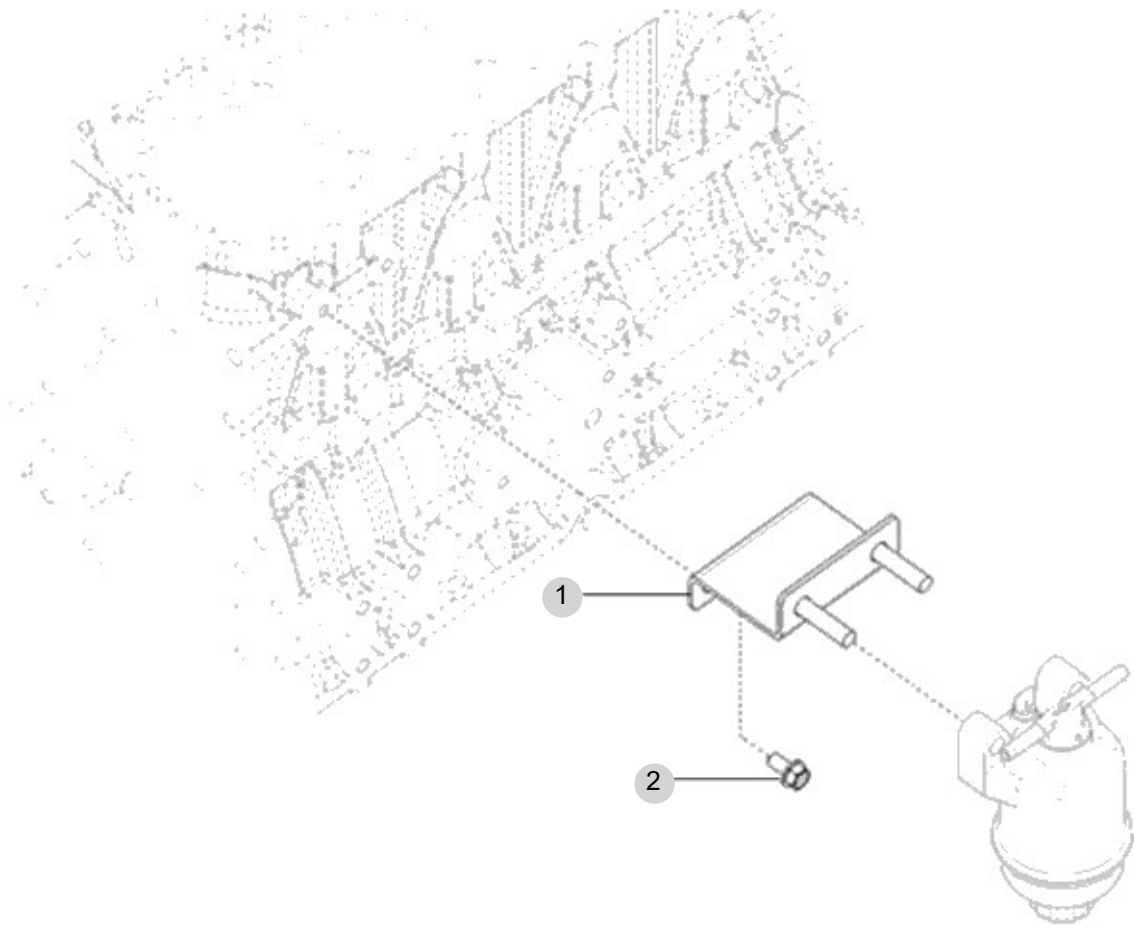
FIG 135

T475NCEU

FUEL FILTER BRACKET ASS'Y

년/월
Year/Month

2022-12



NOTE

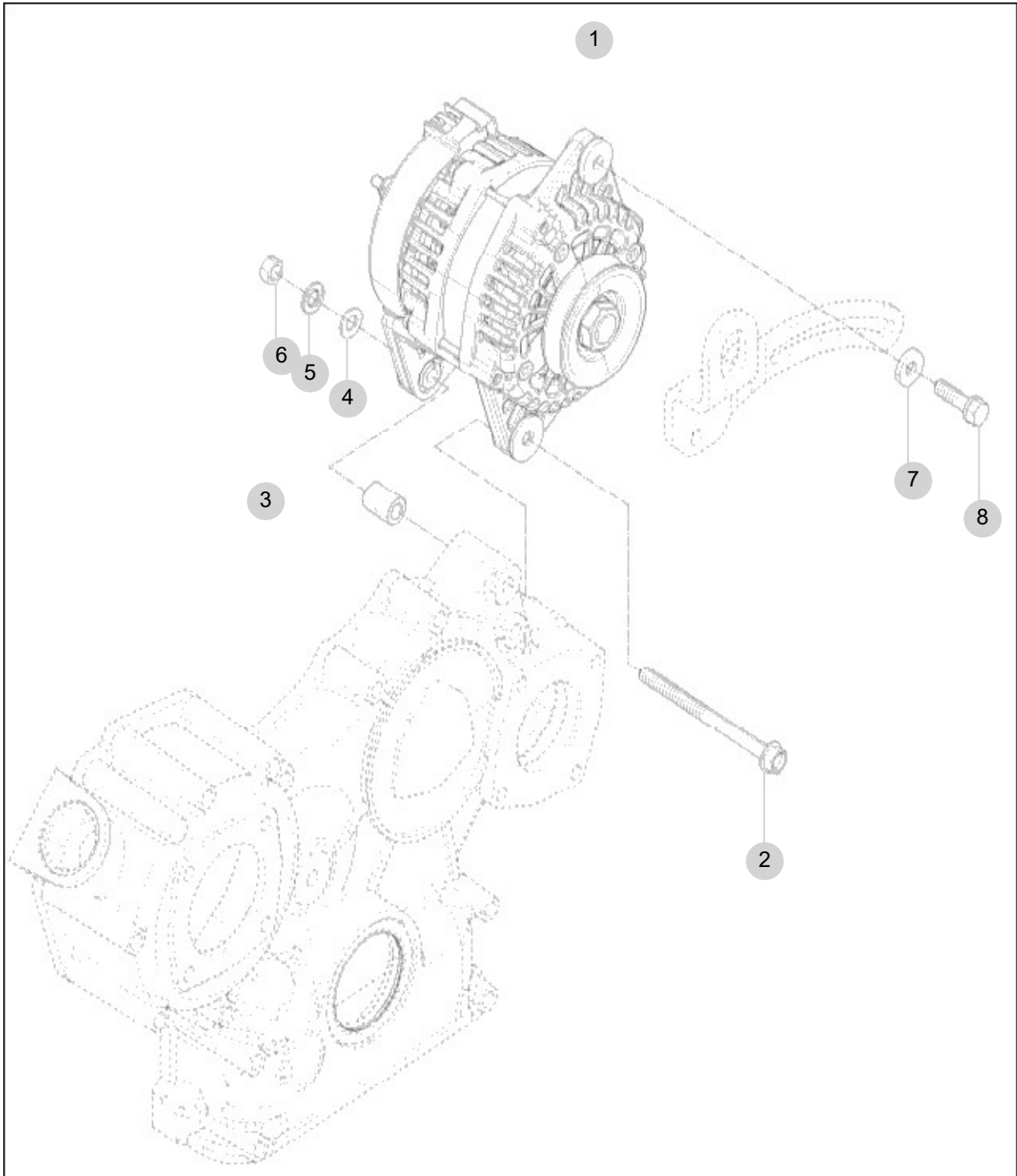
FIG 136

ALTERNATOR

년/월
Year/Month

T475NCEU

2022-12



NOTE

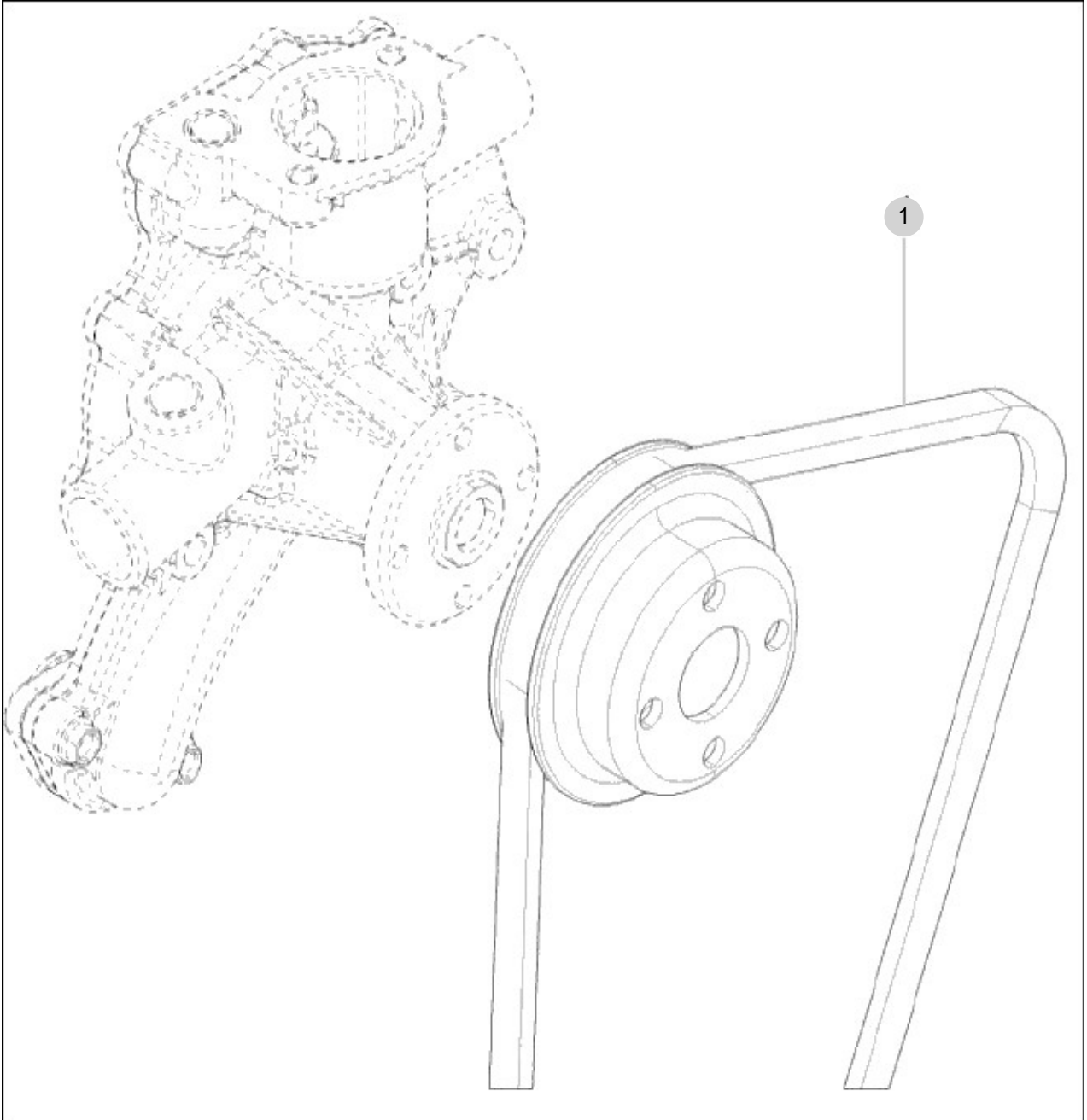
FIG 137

T475NCEU

V-BELT

년/월
Year/Month

2022-12



NOTE

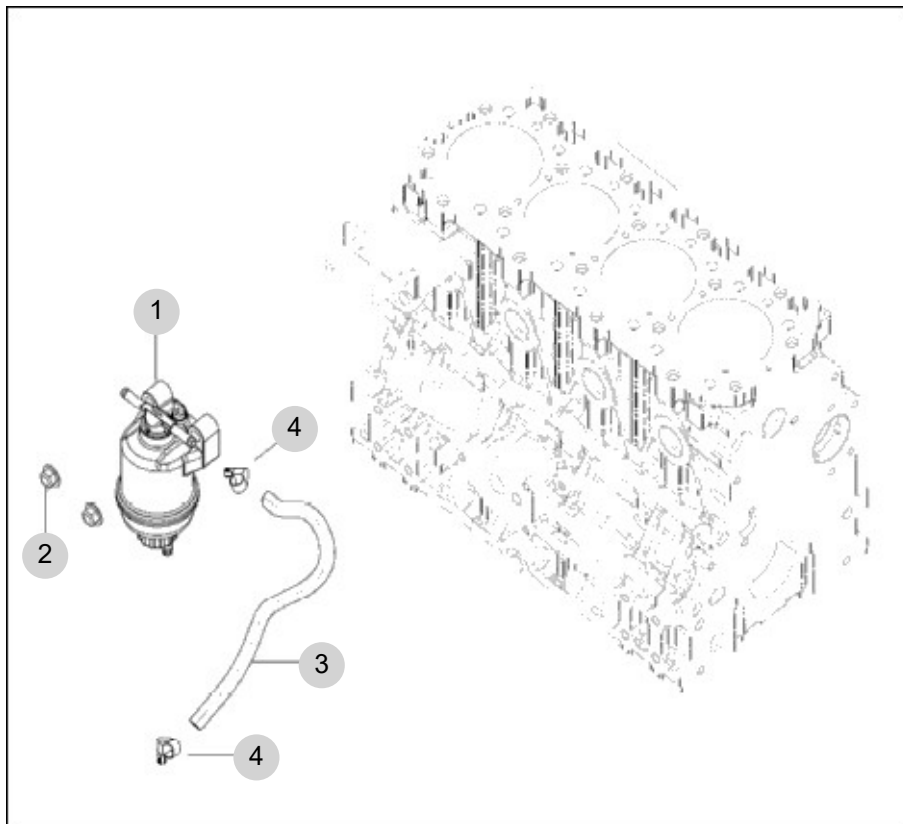
FIG 138

T475NCEU

FUEL FILTER

년/월
Year/Month

2022-12



NOTE

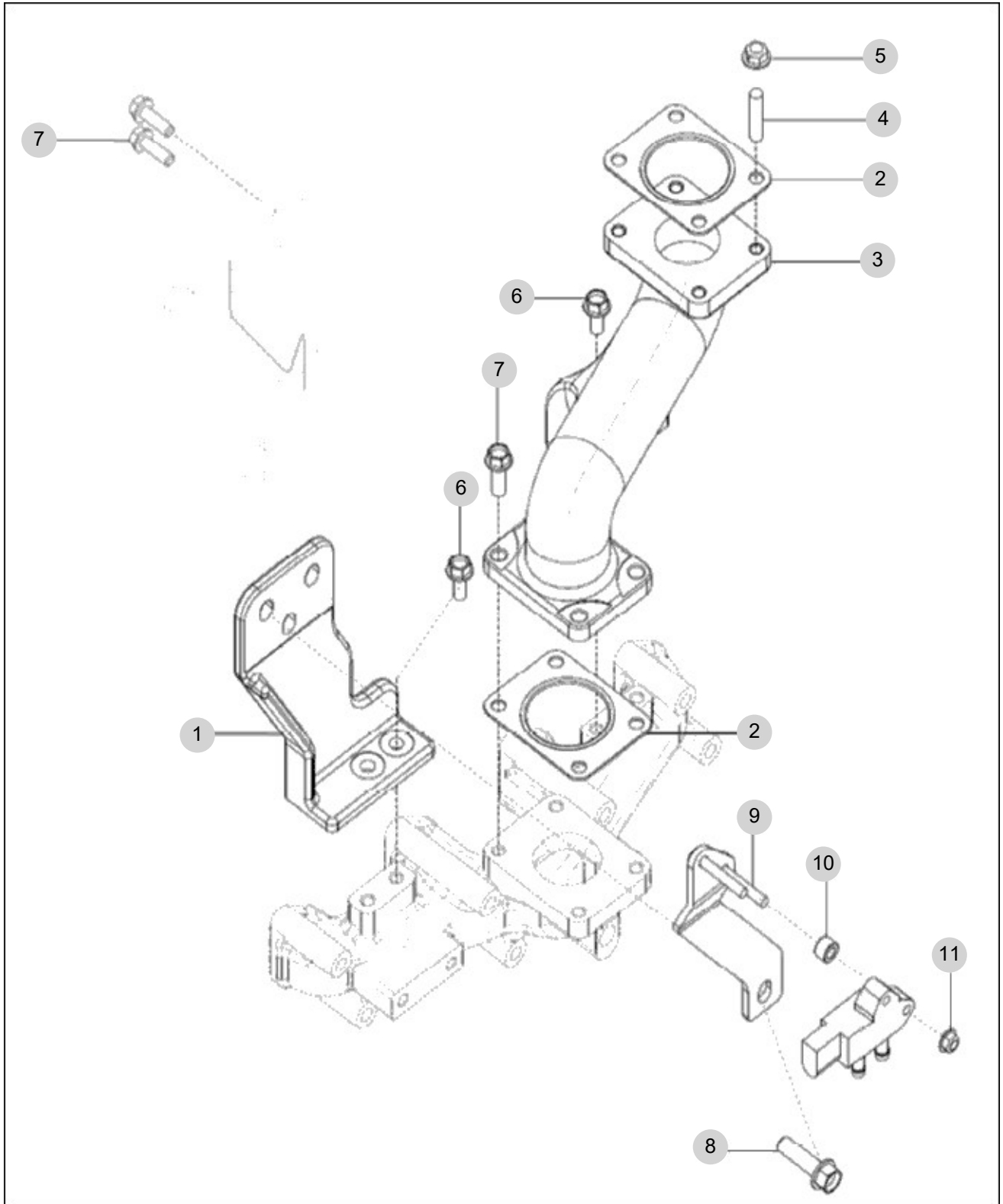
FIG 139

DPF SUPPORT

년/월
Year/Month

T475NCEU

2022-12



NOTE

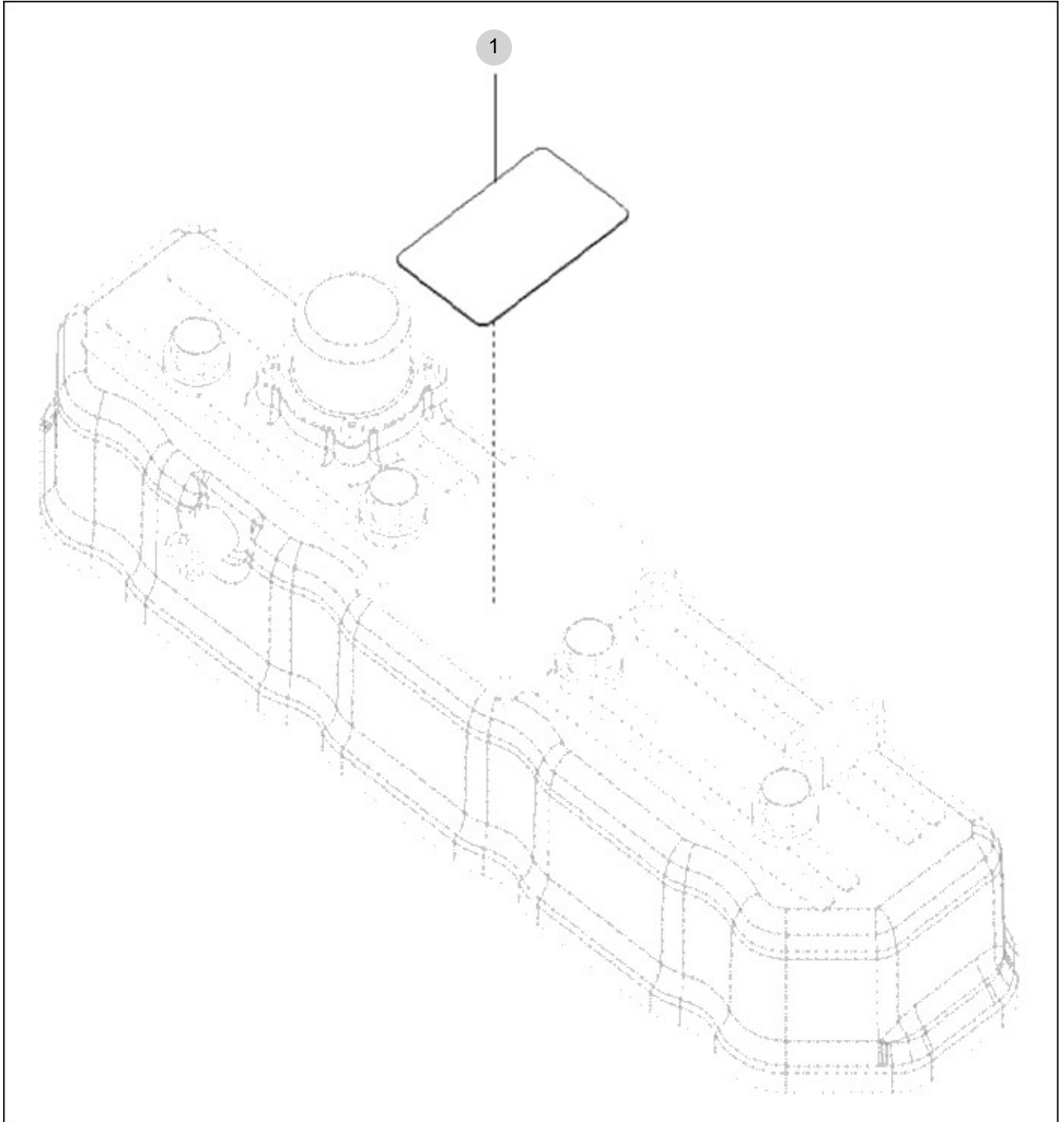
FIG 140

T475NCEU

DATAPLATE

년/월
Year/Month

2022-12



NOTE

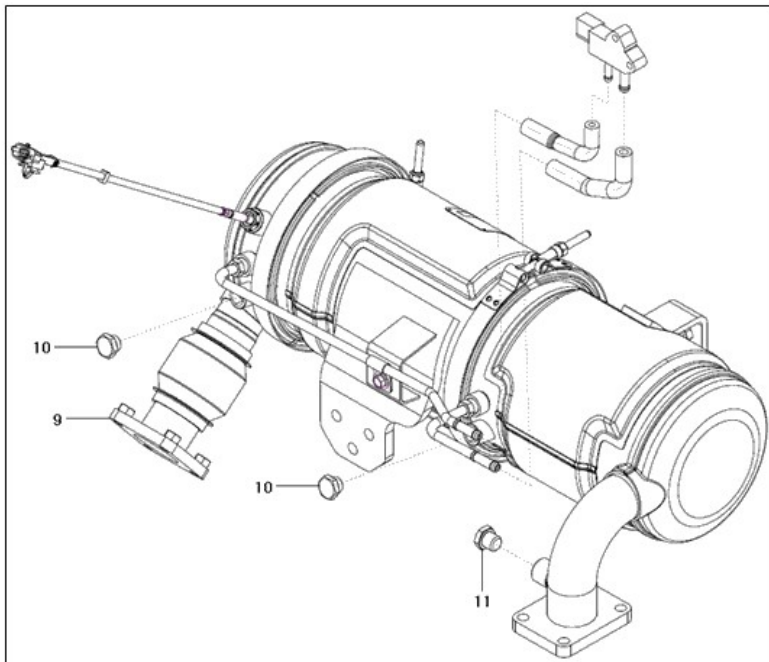
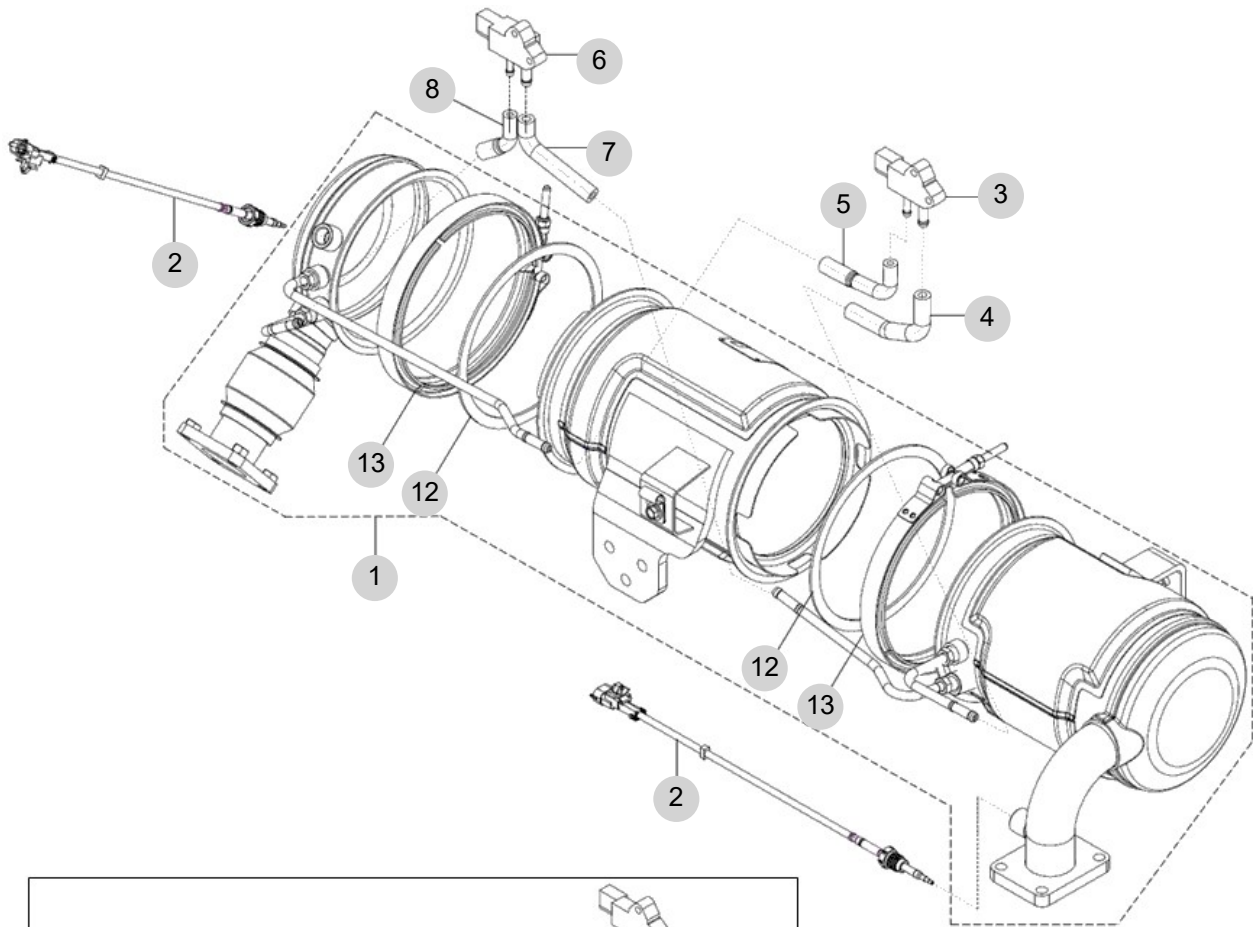
FIG 142

T475NCEU

DPF ASS'Y

년/월
Year/Month

2022-12



NOTE

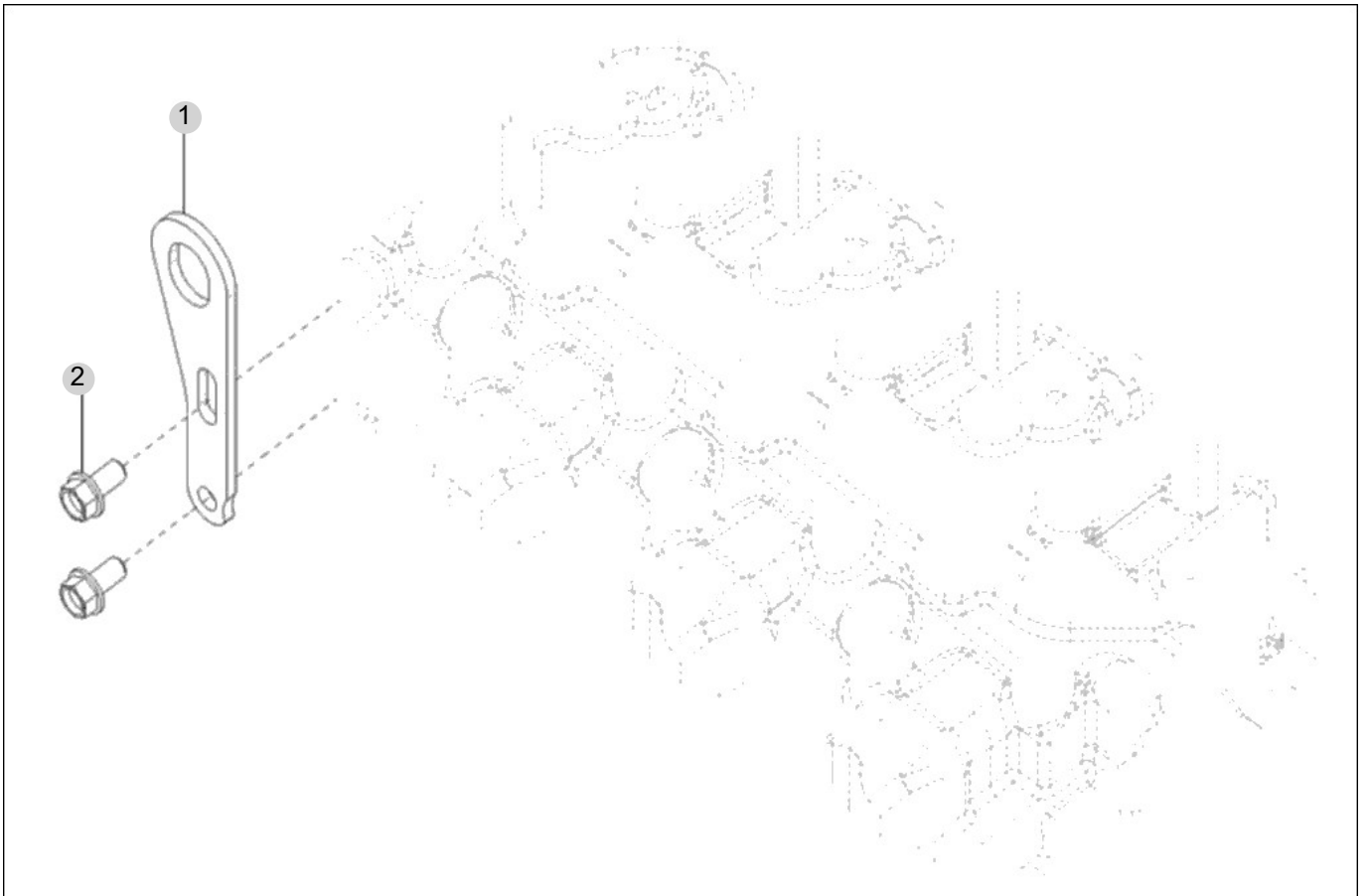
FIG 143

T475NCEU

LIFT ASS'Y

년/월
Year/Month

2022-12



NOTE

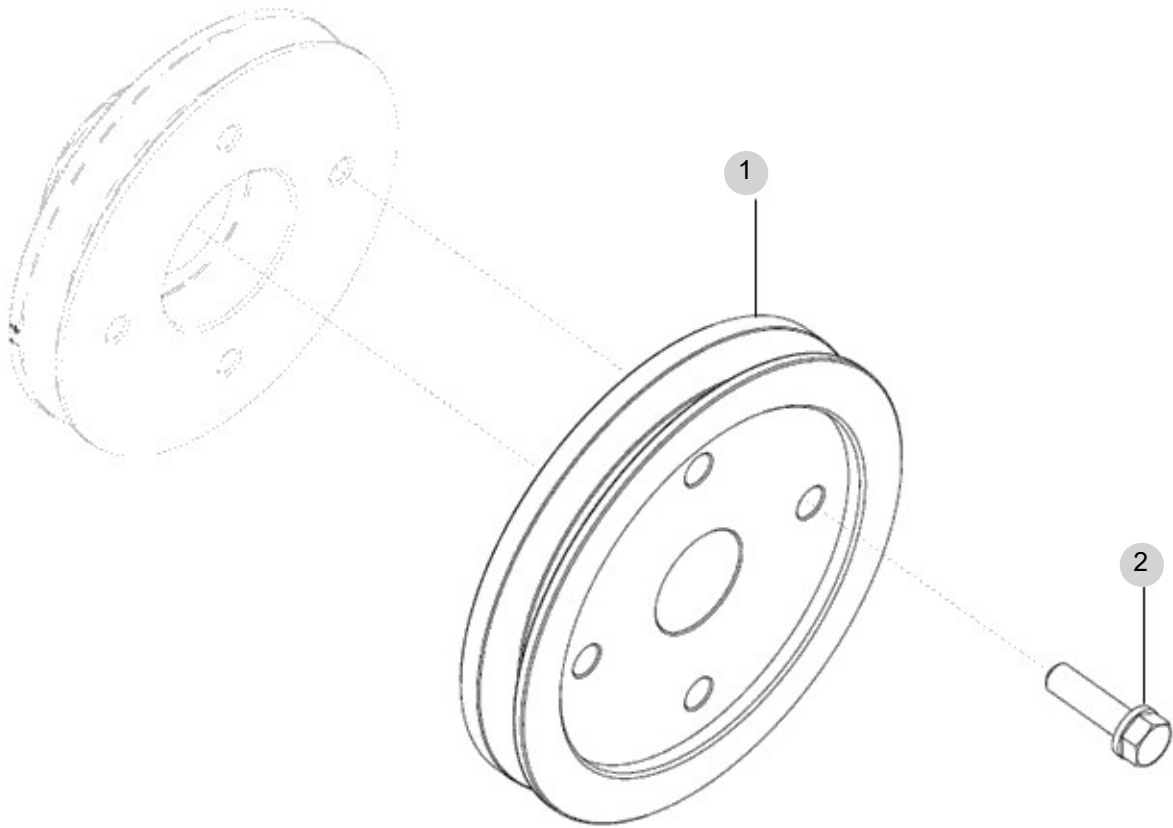
FIG 144

COMP. DRIVE PULLEY ASS'Y OPTION

년/월
Year/Month

T475NCEU

2022-12



NOTE

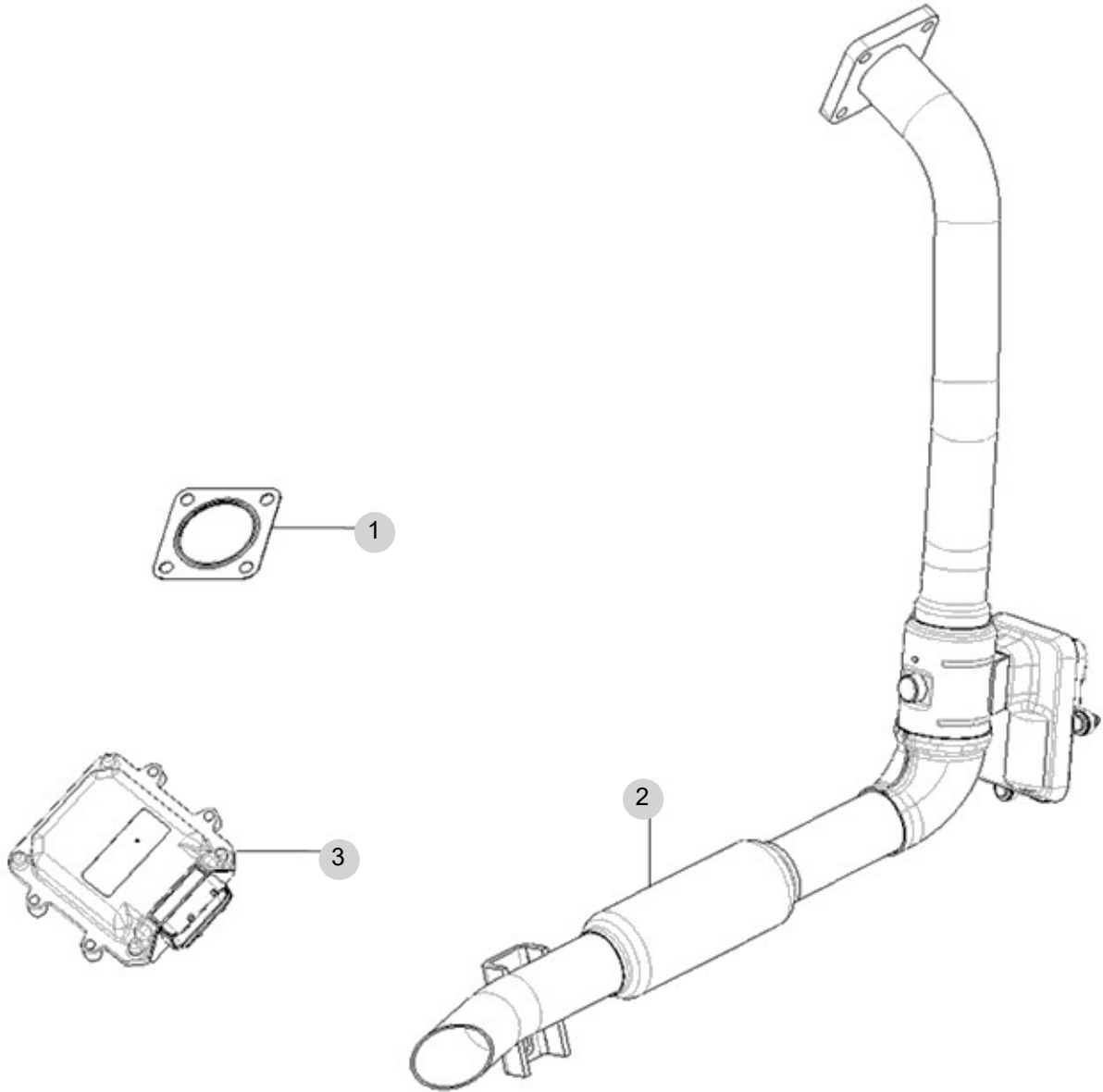
FIG 145

T475NCEU

LOOSED PARTS

년/월
Year/Month

2022-12



NOTE

2. 엔진보기품 PART NO. T2

FIG 201 AIR CLEANER	99
FIG 202 RADIATOR	101
FIG 203 MUFFLER	103
FIG 204 FUEL TANK & FILTER	105
FIG 205 ACCELERATOR	107

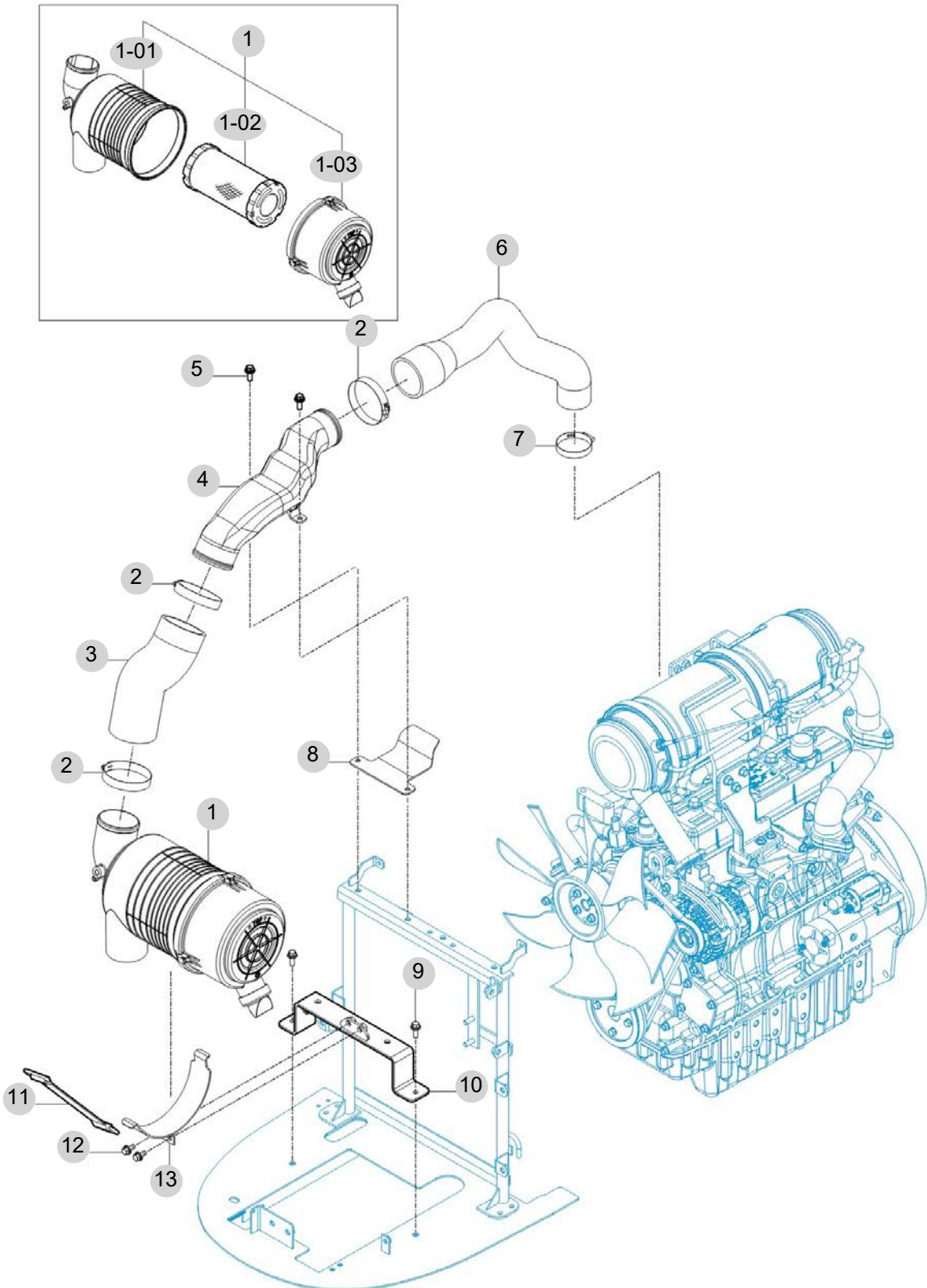
FIG 201

AIR CLEANER

년/월
Year/Month

2022-12

T475NCEU



NOTE

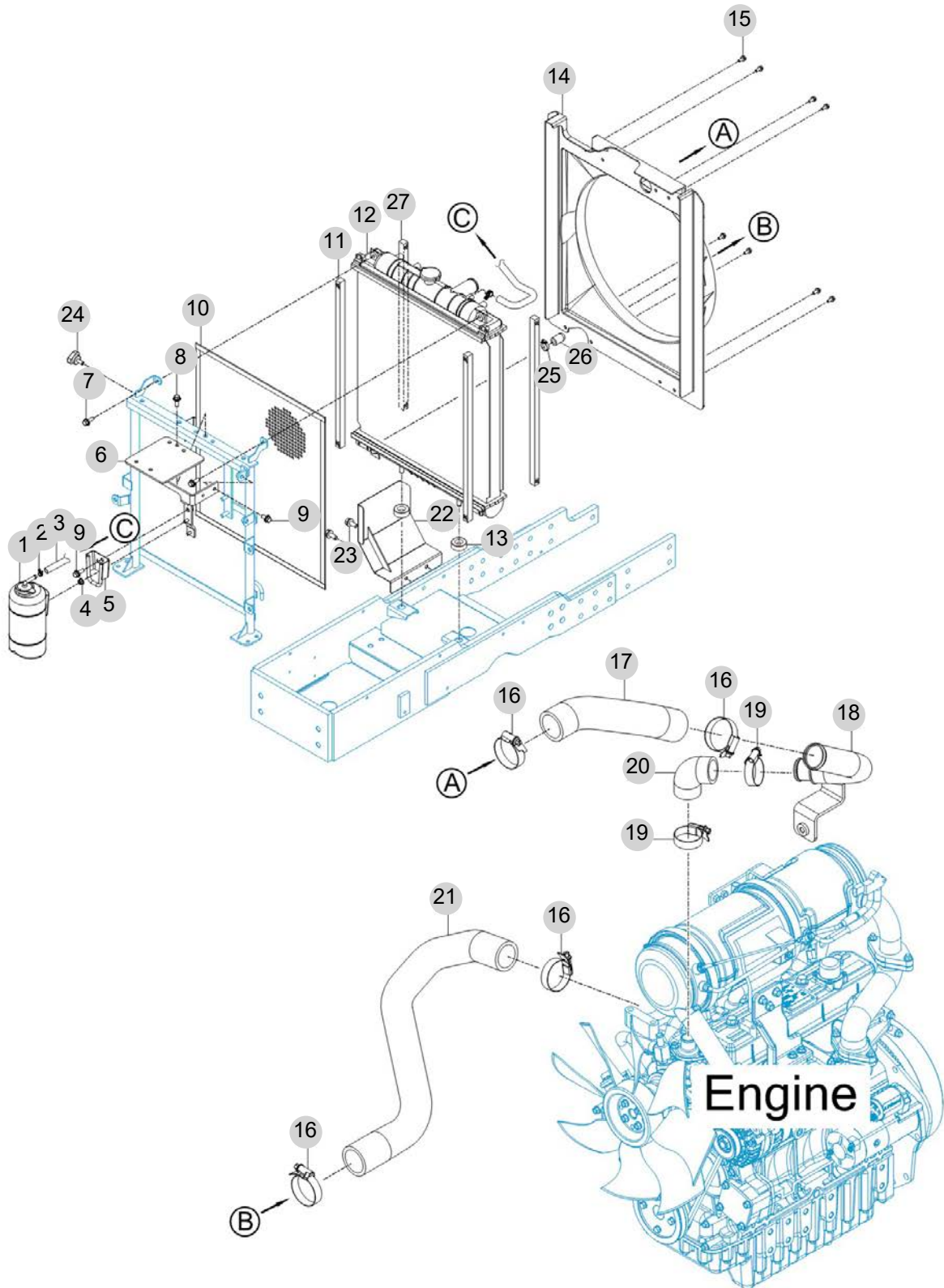
FIG 202

RADIATOR

년/월
Year/Month

2022-12

T475NCEU



NOTE

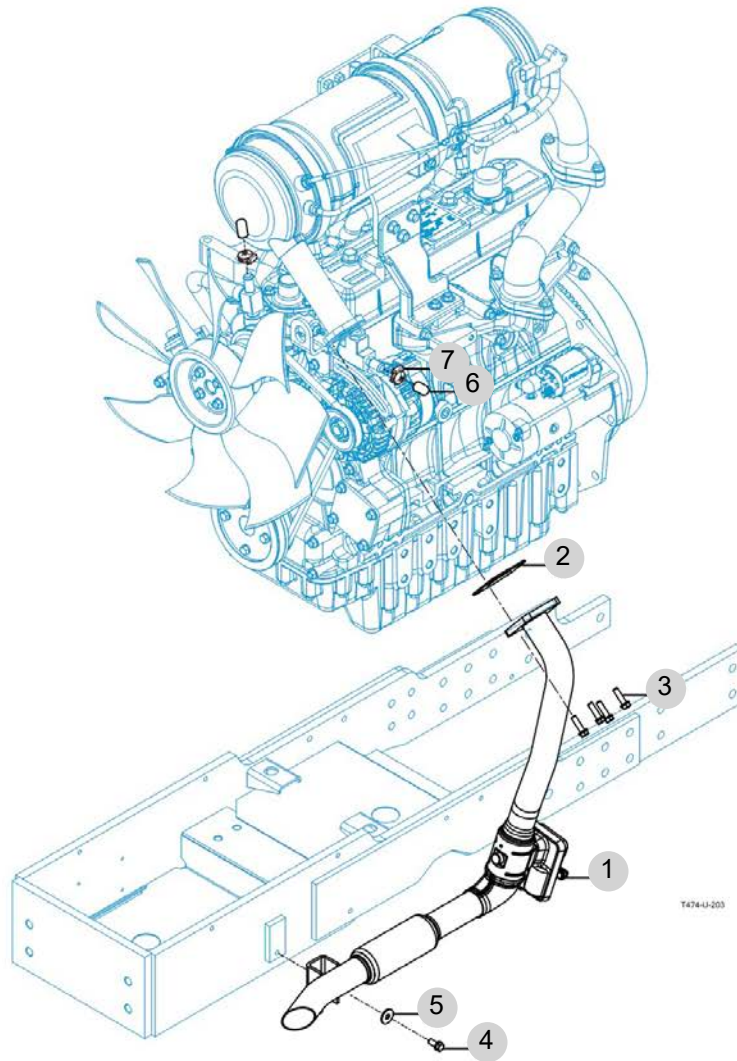
FIG 203

T475NCEU

MUFFLER

년/월
Year/Month

2022-12



NOTE

FIG 203		MUFFLER						년/월 Year/Month
T475NCEU								2022-12
KEY NO	PART NO	DESCRIPTION	SPEC	QTY	REPAIR	EFFECTIVE DATE	REMARKS	
203	1	EA00005797A	전자식 배기밸브 ASSY					
203	2	EA00004235A	가스켓					
203	3	V2173608030	소형육각볼트보통(S)	M8X30	4			
203	4	V2173608020	소형육각볼트보통(S)	M8X20	1			
203	5	35602010150	결속축와셔		1			
203	6	13871521100	캡, 냉각수		2			
203	7	18027090250	밴드 클램프 25 홍식		2			
NOTE								

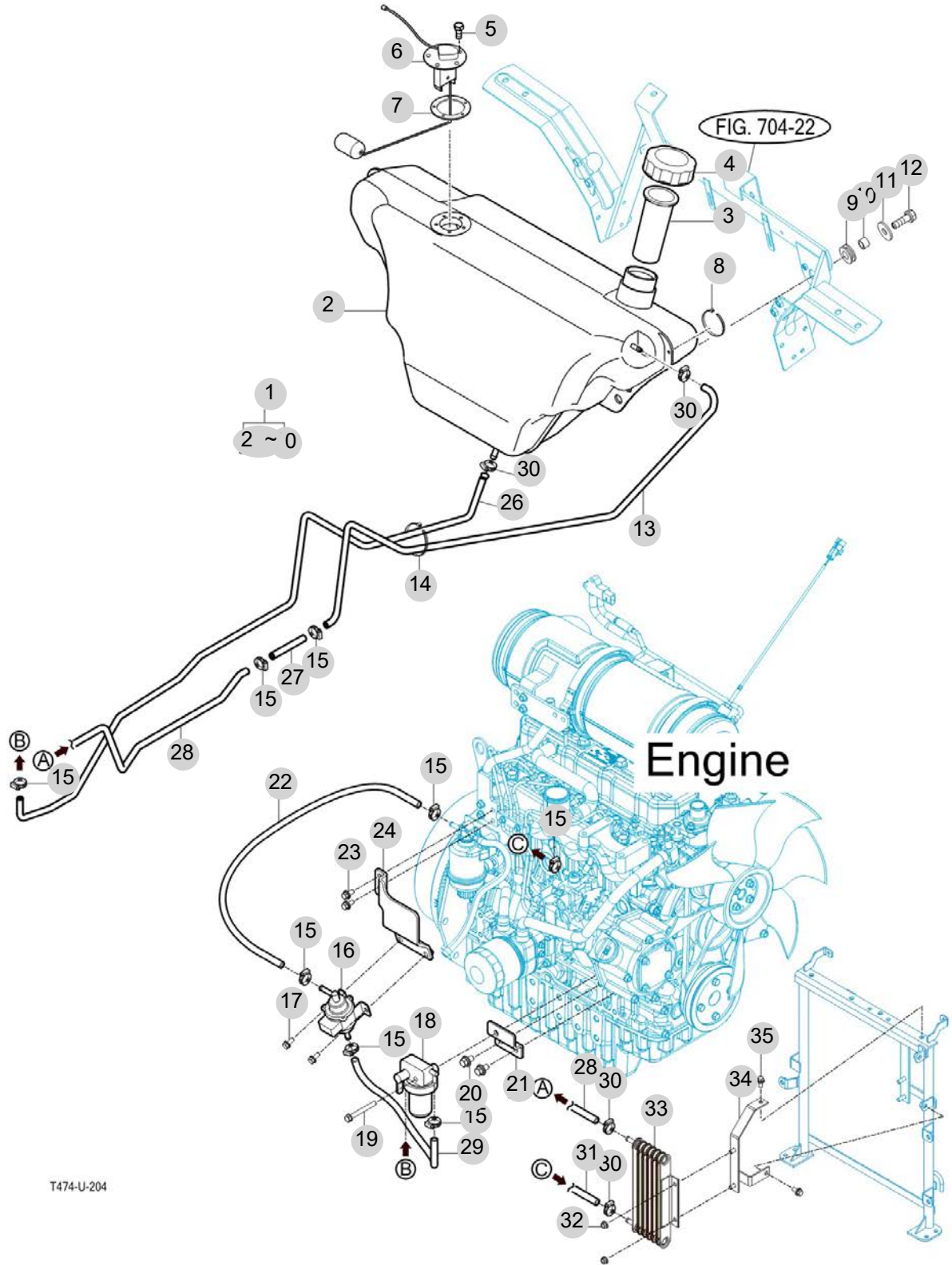
FIG 204

FUEL TANK & FILTER

년/월
Year/Month

2022-12

T475NCEU



T474-U-204

NOTE

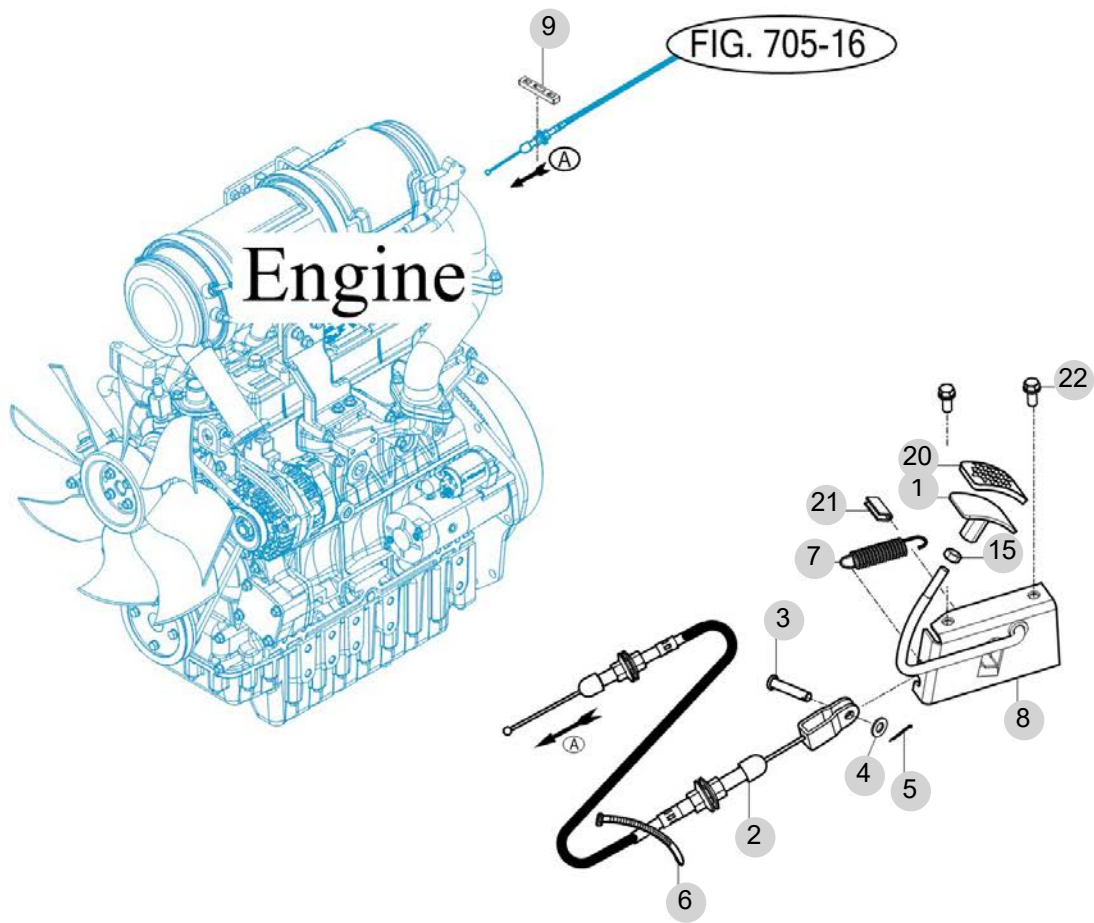
FIG 205

T475NCEU

ACCELERATOR

년/월
Year/Month

2022-12



2540NC-E-205

NOTE

FIG 205		ACCELERATOR						년/월	REMARKS
								Year/Month	
T475NCEU								2022-12	
KEY NO	PART NO	DESCRIPTION	SPEC	QTY	REPAIR	EFFECTIVE DATE			
205	1	16001220000GB	플레이트(액셀)COMP						
205	2	13821162100	케이블(F스로틀) ASSY						
205	3	15601160083	핀 (06X16)						
205	4	V4111600060	평와셔	M6					
205	5	V5001920020	분할핀	2X20					
205	6	13424020060	케이블타이(300)						
205	7	17995060150	스프링						
205	8	16791162004GB	브래킷 COMP						
205	9	10011162400	와이어고정고무						
205	15	V3042600080	소형육각너트보통2종	M8					
205	20	16791220010	패드(액셀)						
205	21	16997021960	인슐레이터(32)						
205	22	V2173608020	소형육각볼트보통(S)	M8X20					
NOTE									

3. 클러치/브레이크/스티어링 PART NO. T3

FIG 301 CLUTCH PEDAL	110
FIG 302 FLYWHEEL & CLUTCH	112
FIG 303 BRAKE PEDAL	114
FIG 304 BRAKE	116
FIG 306 FRONT WHEEL MOUNTING	118
FIG 307 REAR WHEEL MOUNTING	120
FIG 308 STEERING WHEEL	122
FIG 309 STEERING VALVE & PARKING	124
FIG 310 STEERING CYLINDER	126
FIG 311 HAND BRAKE LINKAGE	128

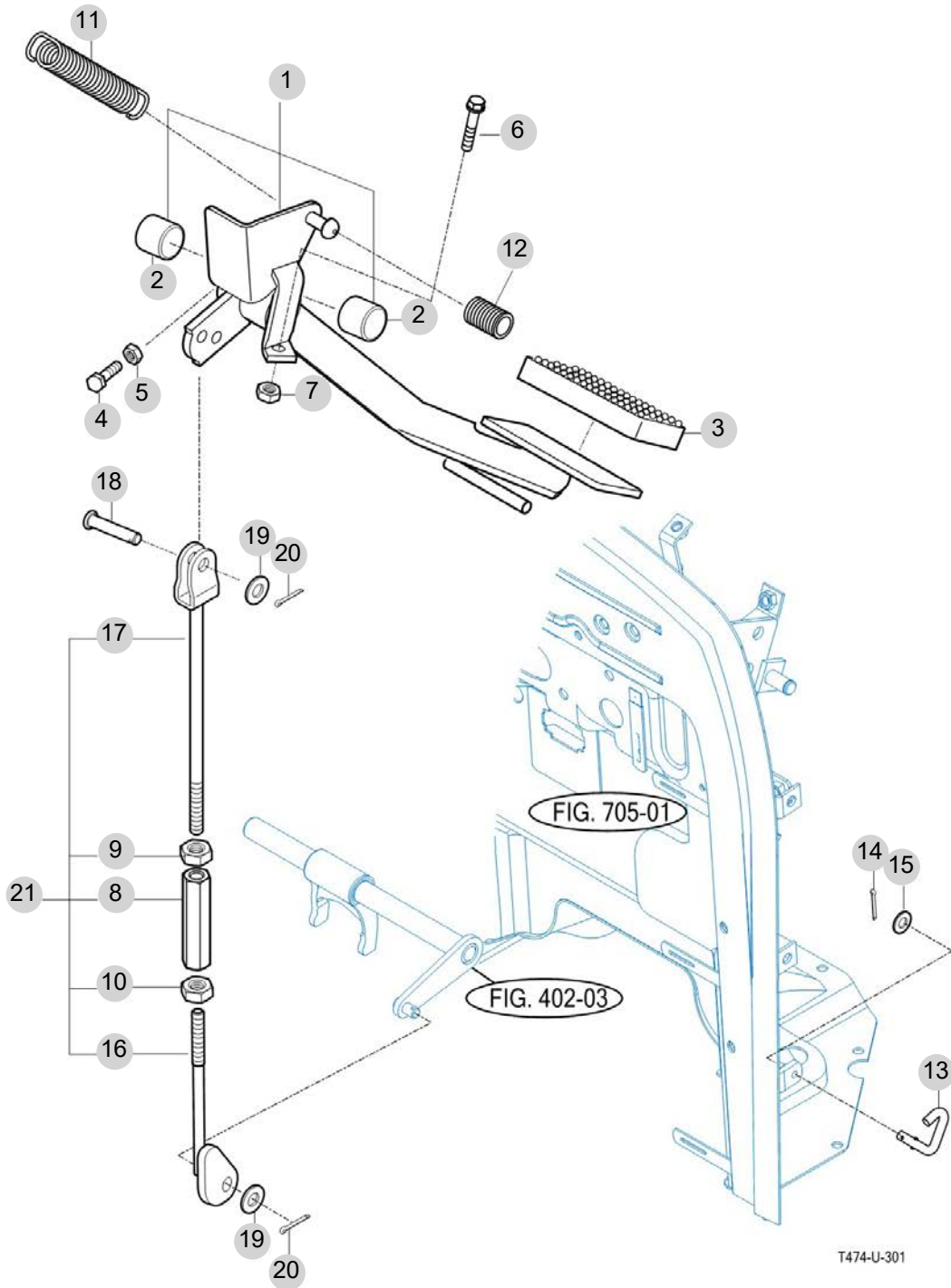
FIG 301

T475NCEU

CLUTCH PEDAL

년/월
Year/Month

2022-12



NOTE

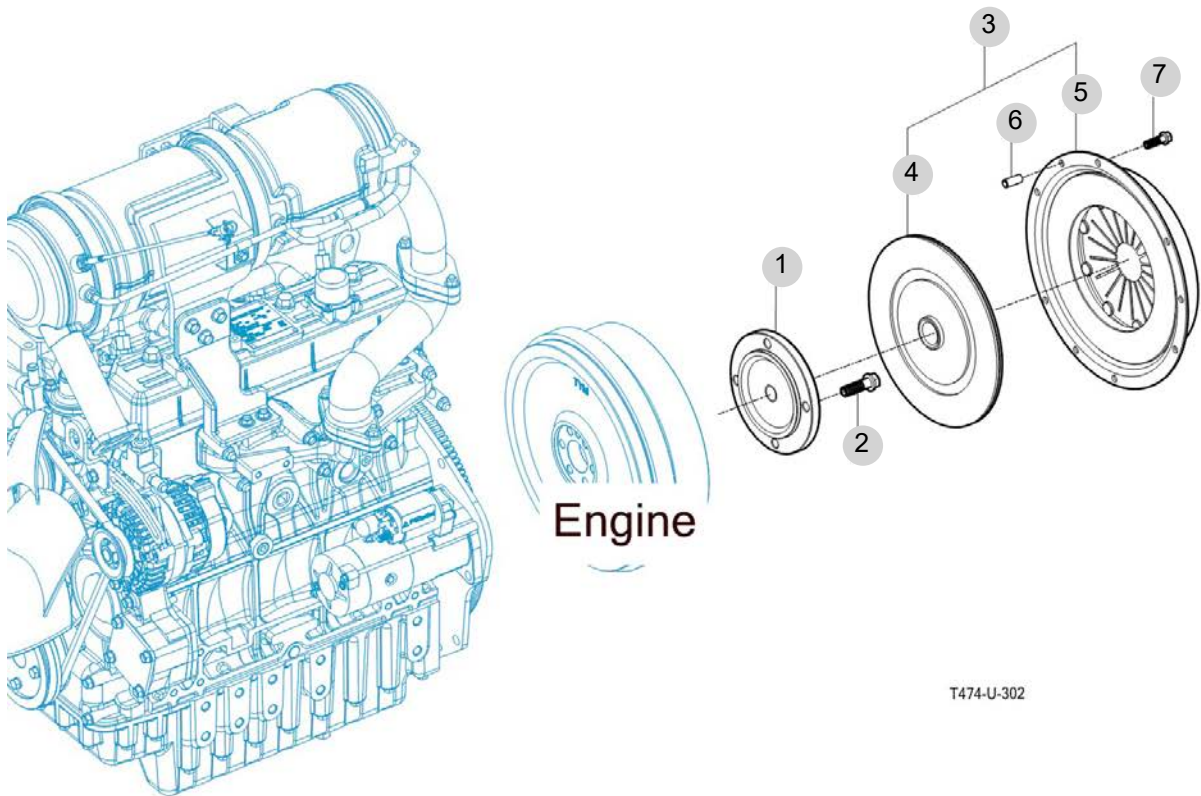
FIG 302

FLYWHEEL & CLUTCH

년/월
Year/Month

T475NCEU

2022-12



NOTE

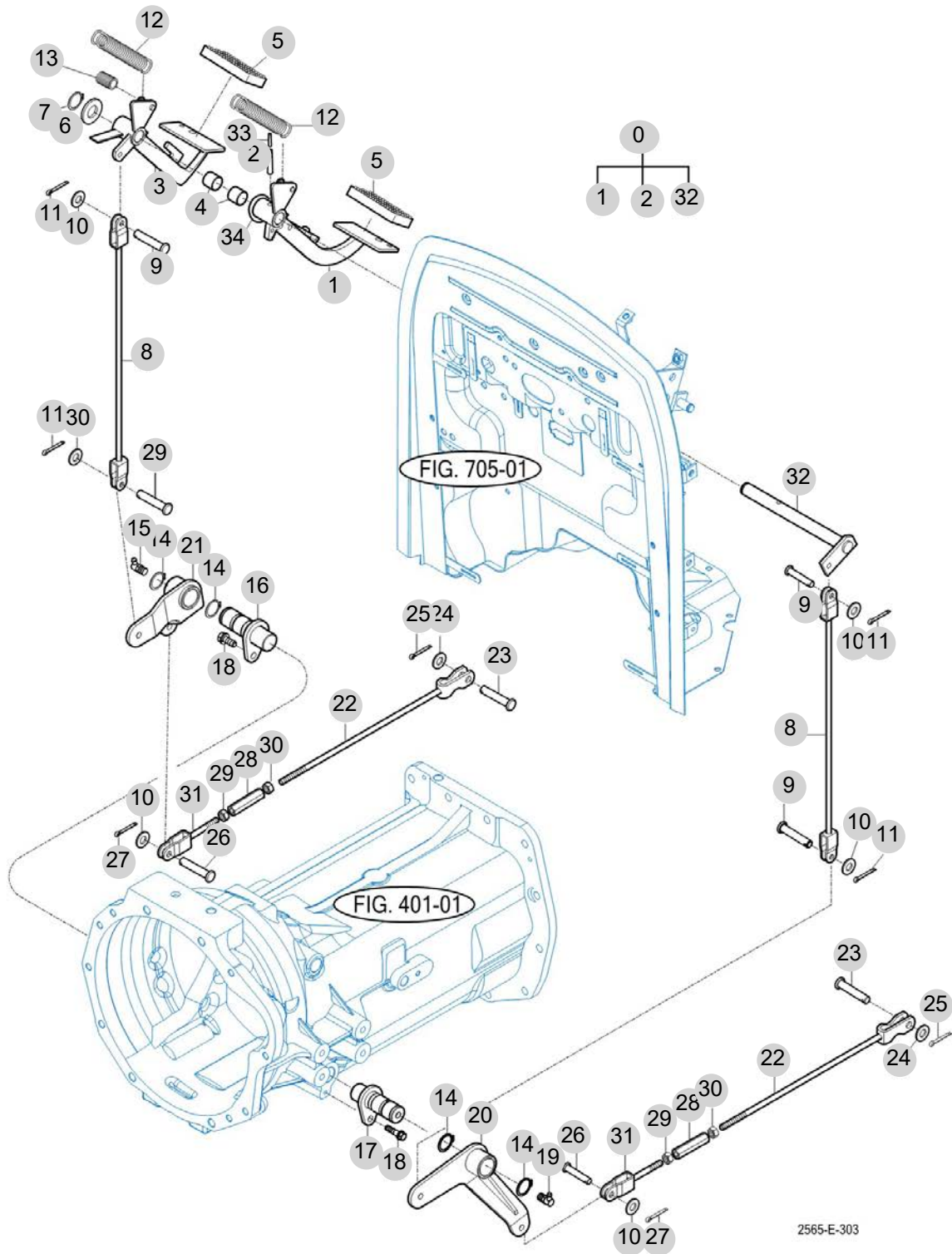
FIG 303

T475NCEU

BRAKE PEDAL

년/월
Year/Month

2022-12



NOTE

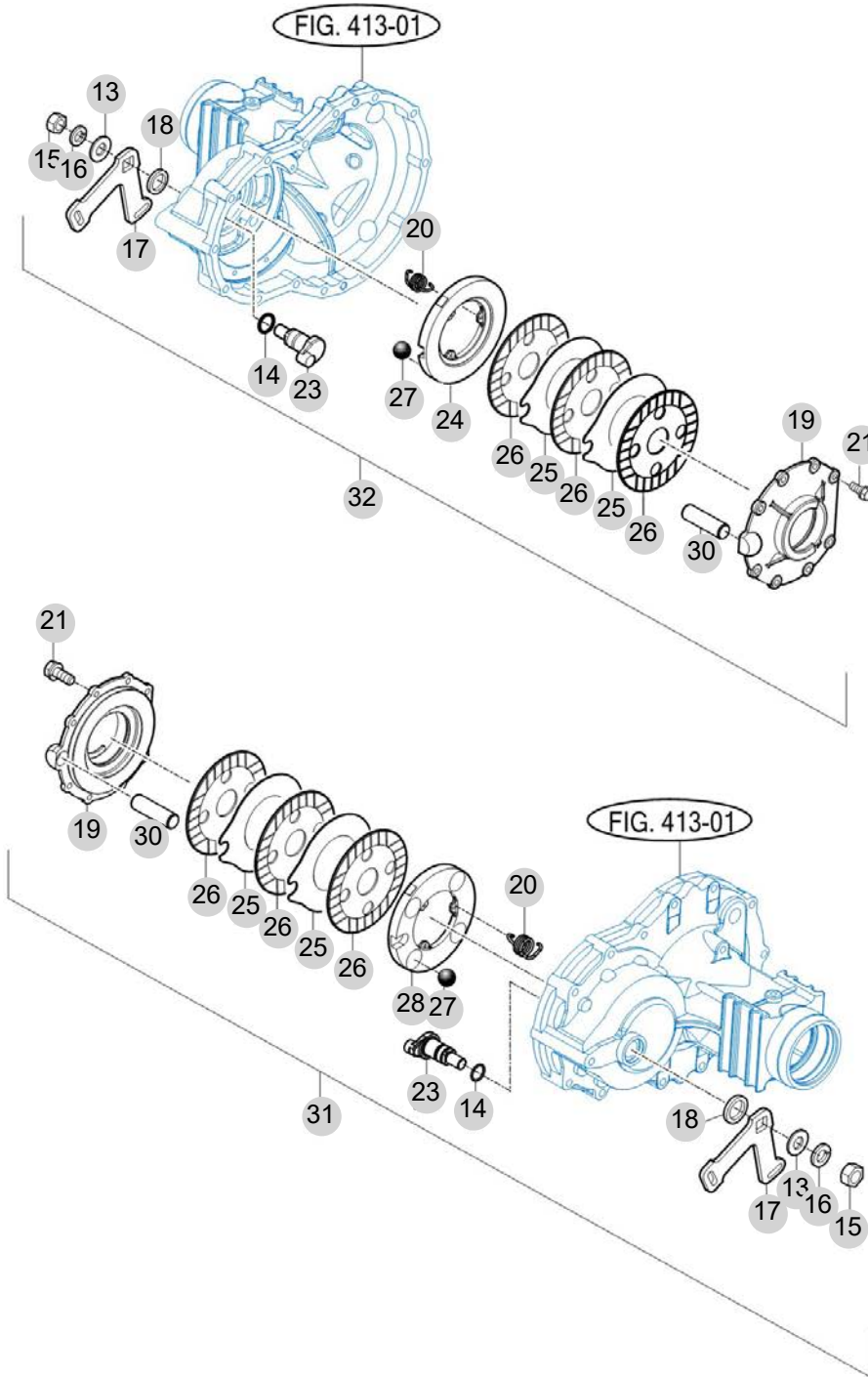
FIG 304

T475NCEU

BRAKE

년/월
Year/Month

2022-12



NOTE

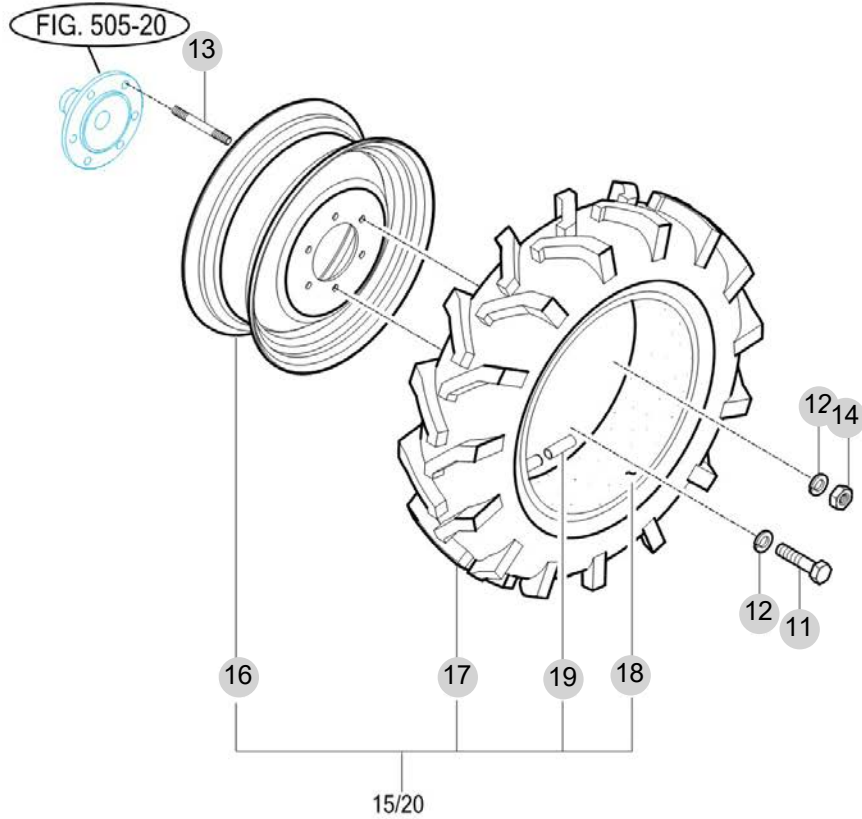
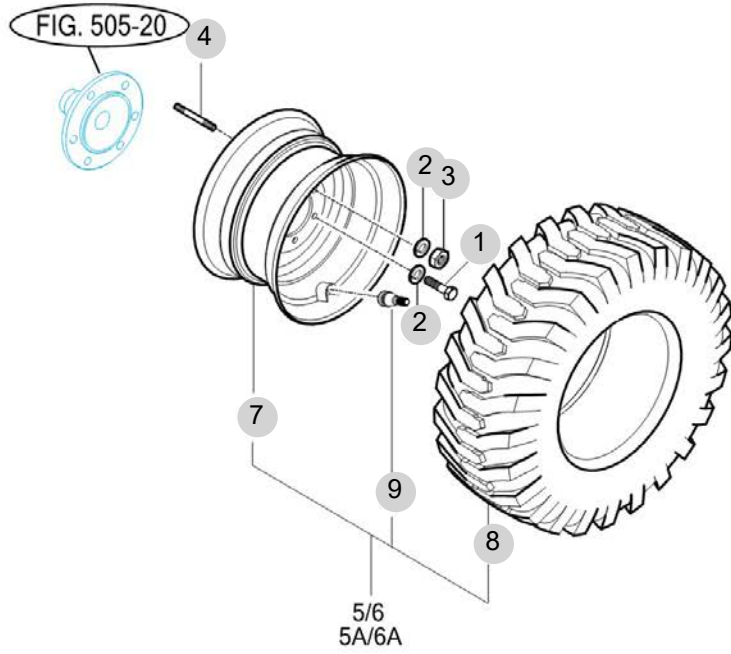
FIG 306

T475NCEU

FRONT WHEEL MOUNTING

년/월
Year/Month

2022-12



T394-E-306

NOTE

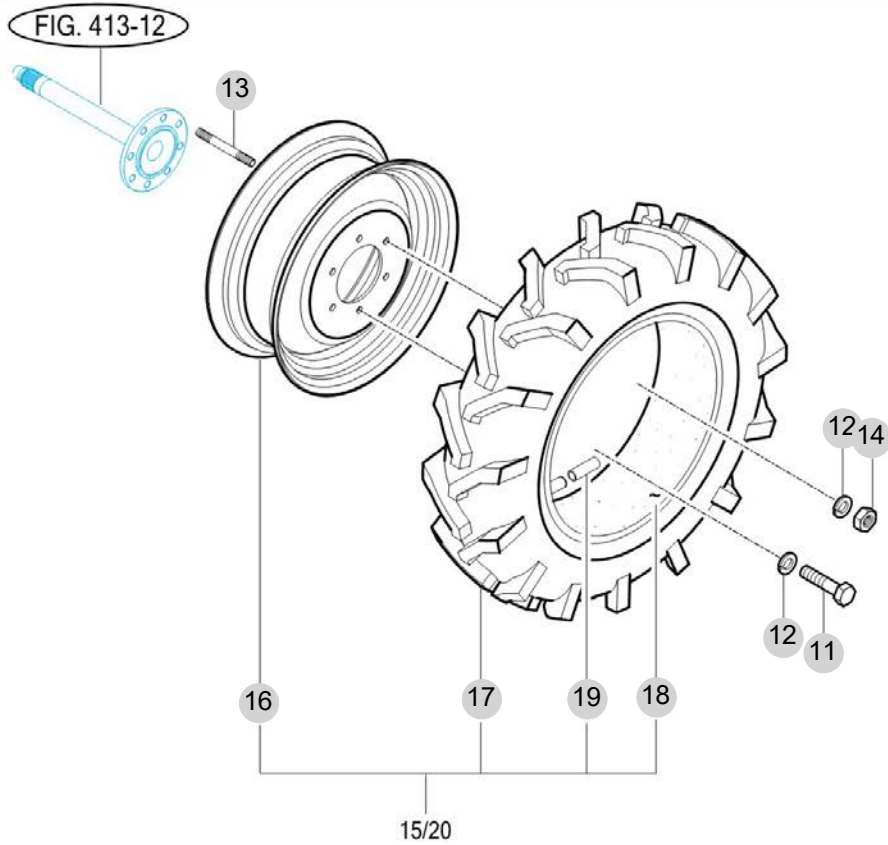
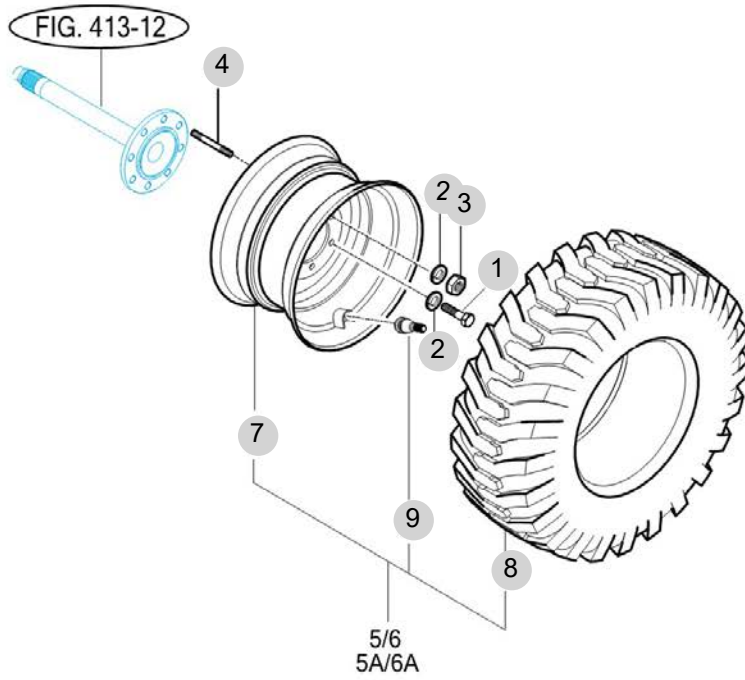
FIG 307

T475NCEU

REAR WHEEL MOUNTING

년/월
Year/Month

2022-12



T394-E-307

NOTE

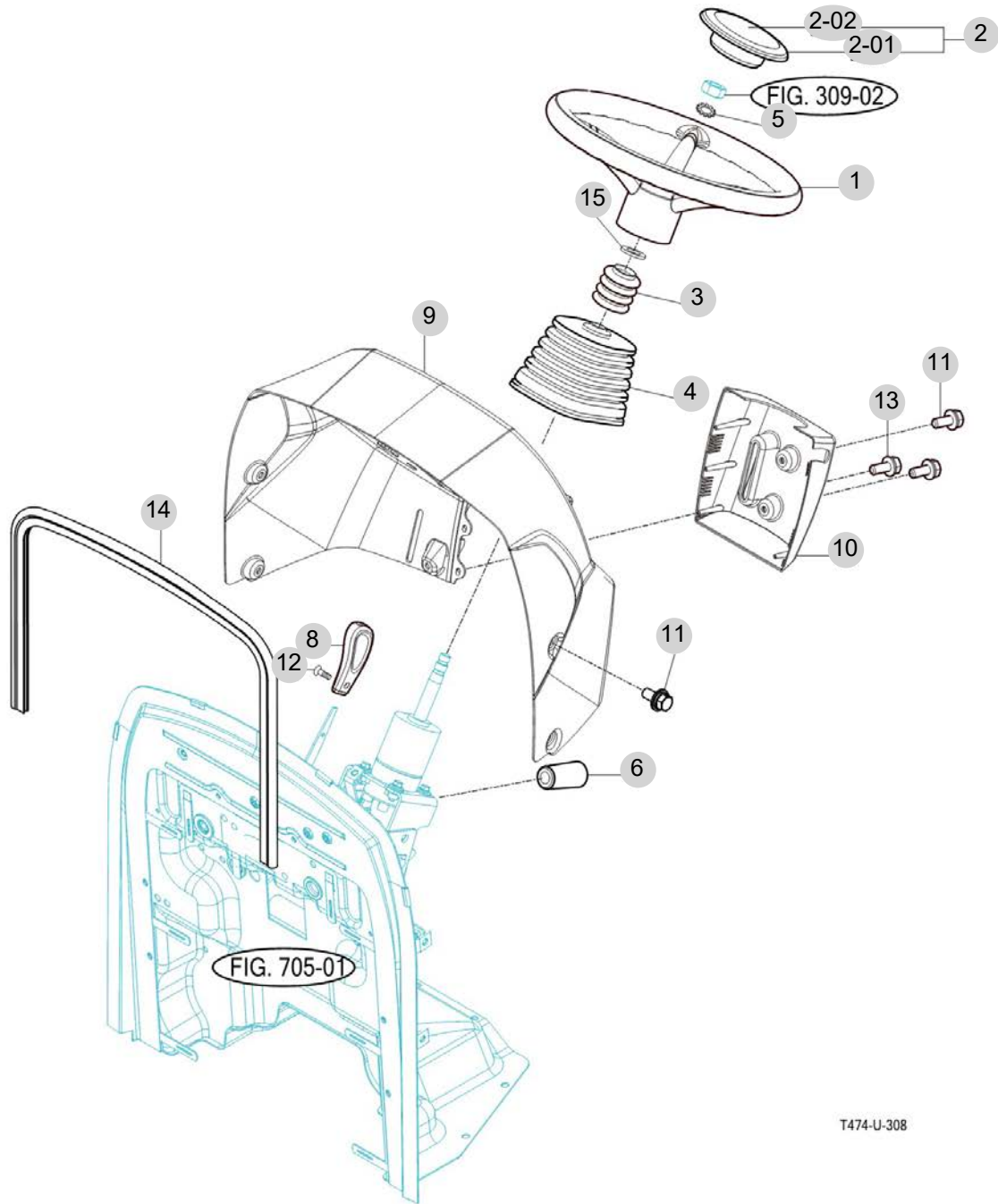
FIG 308

T475NCEU

STEERING WHEEL

년/월
Year/Month

2022-12



T474-U-308

NOTE

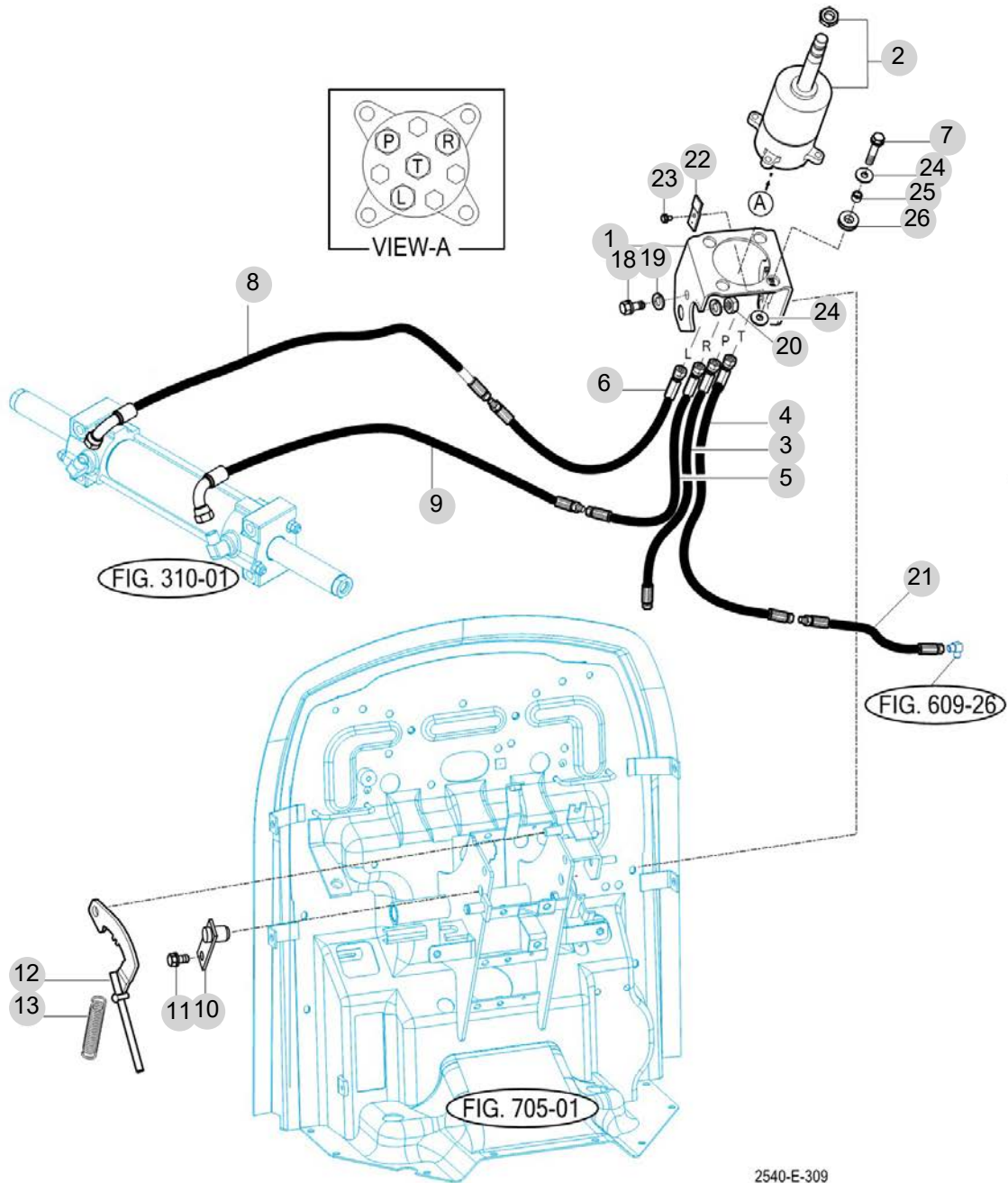
FIG 309

STEERING VALVE & PARKING

년/월
Year/Month

T475NCEU

2022-12



2540-E-309

NOTE

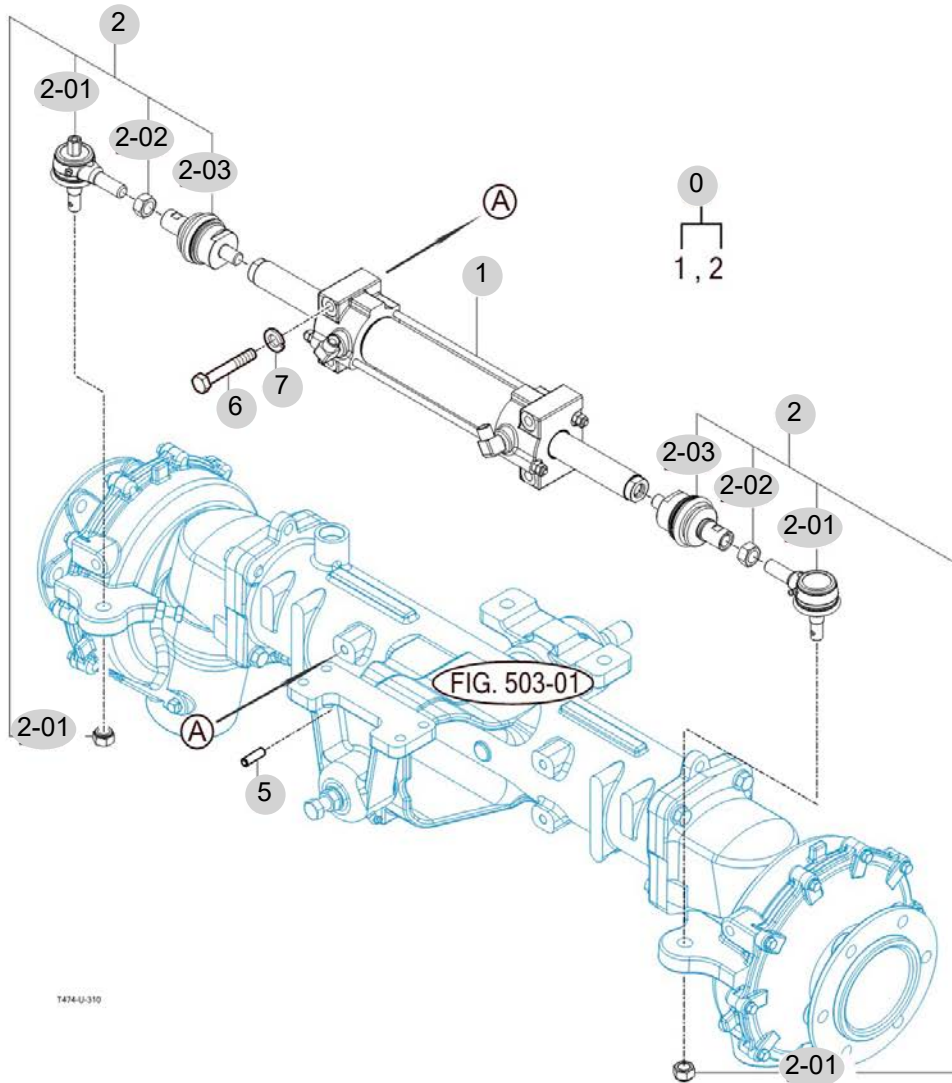
FIG 310

T475NCEU

STEERING CYLINDER

년/월
Year/Month

2022-12



NOTE

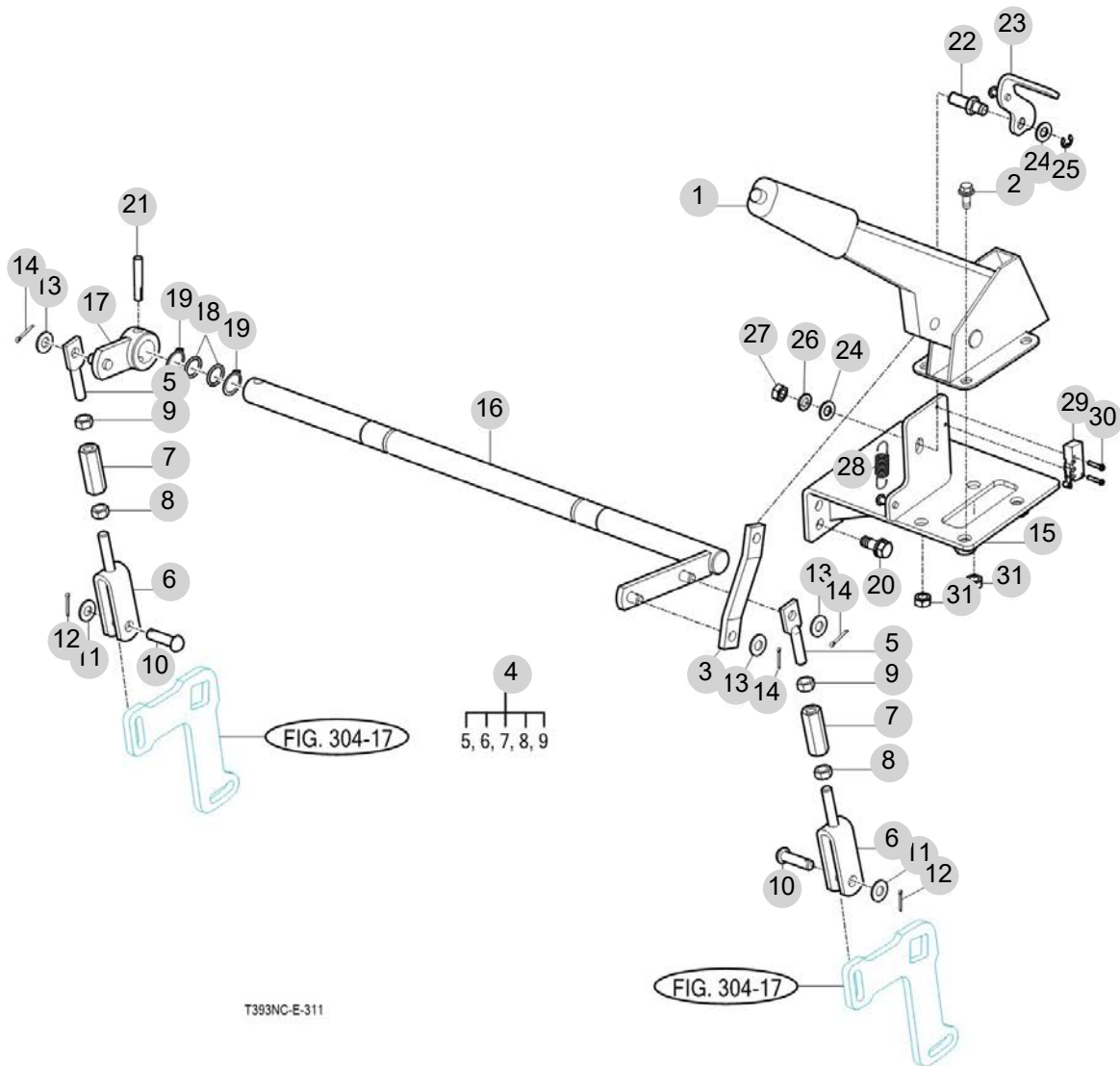
FIG 311

T475NCEU

HAND BRAKE LINKAGE

년/월
Year/Month

2022-12



NOTE

4. 트랜스미션 PART NO. T4

FIG 401 TRANSMISSION FRONT CASE	131
FIG 402 INPUT METAL	133
FIG 403 INPUT GEAR	135
FIG 404 4WD DRIVE GEAR	137
FIG 405 MAIN CHANGE GEARS & REVERSE GEARS	139
FIG 406 SUB CHANGE GEARS	141
FIG 407 PINION GEARS	143
FIG 408 P.T.O DRIVE SHAFT	145
FIG 409 P.T.O CHANGE GEARS	147
FIG 410 DIFF LOCK	149
FIG 411 TRANSMISSION REAR CASE	151
FIG 412 REAR AXLE HOUSINGS (1)	153
FIG 413 REAR AXLE HOUSINGS (2)	155
FIG 414 MAIN CHANGE LEVER	157
FIG 415 SUB CHANGE LEVER	159
FIG 416 REVERSE LINK	161
FIG 417 REVERSE CHANGE LEVER	163
FIG 418 4WD CHANGE LEVER	165

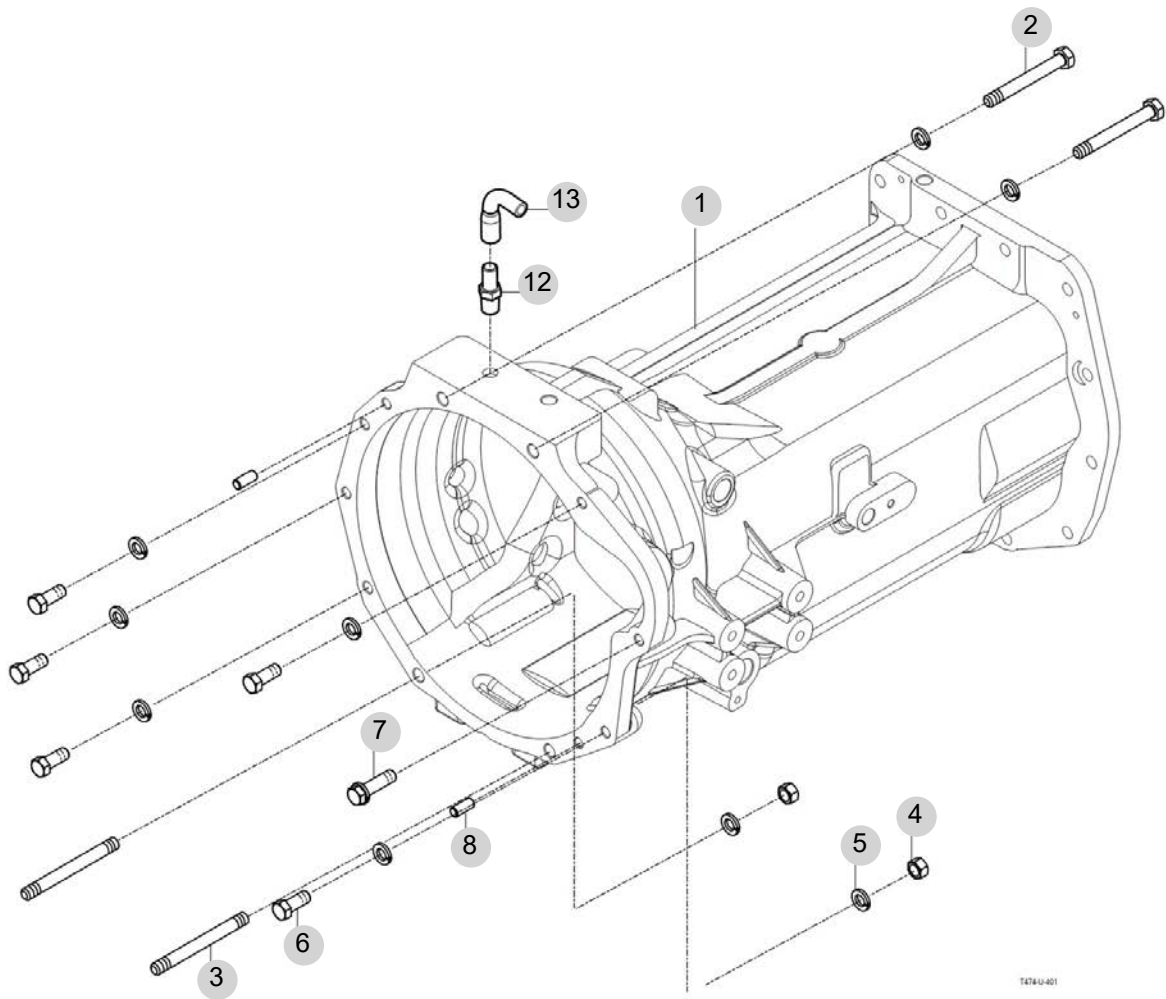
FIG 401

TRANSMISSION FRONT CASE

년/월
Year/Month

2022-12

T475NCEU



NOTE

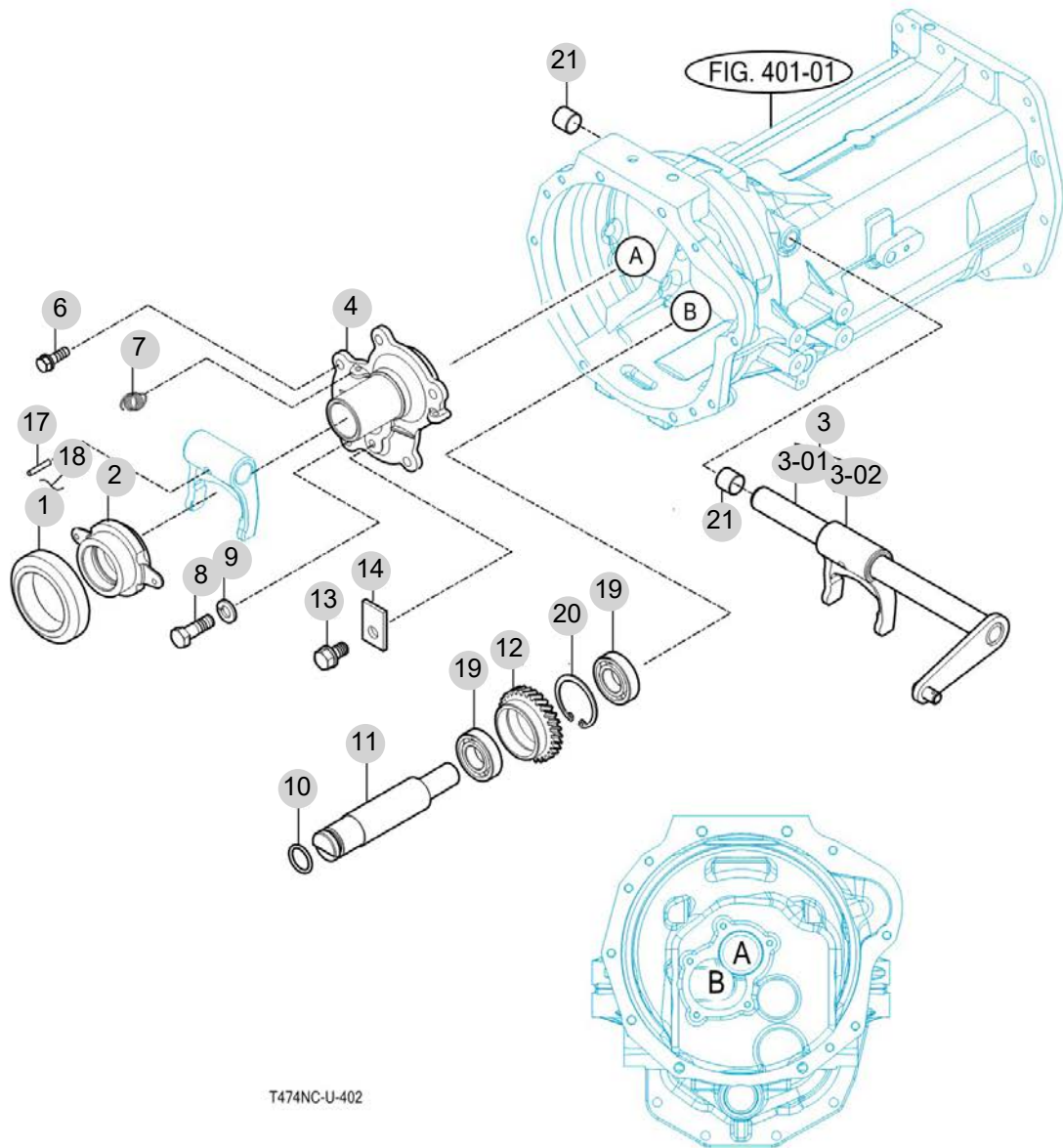
FIG 402

T475NCEU

INPUT METAL

년/월
Year/Month

2022-12



T474NC-U-402

NOTE

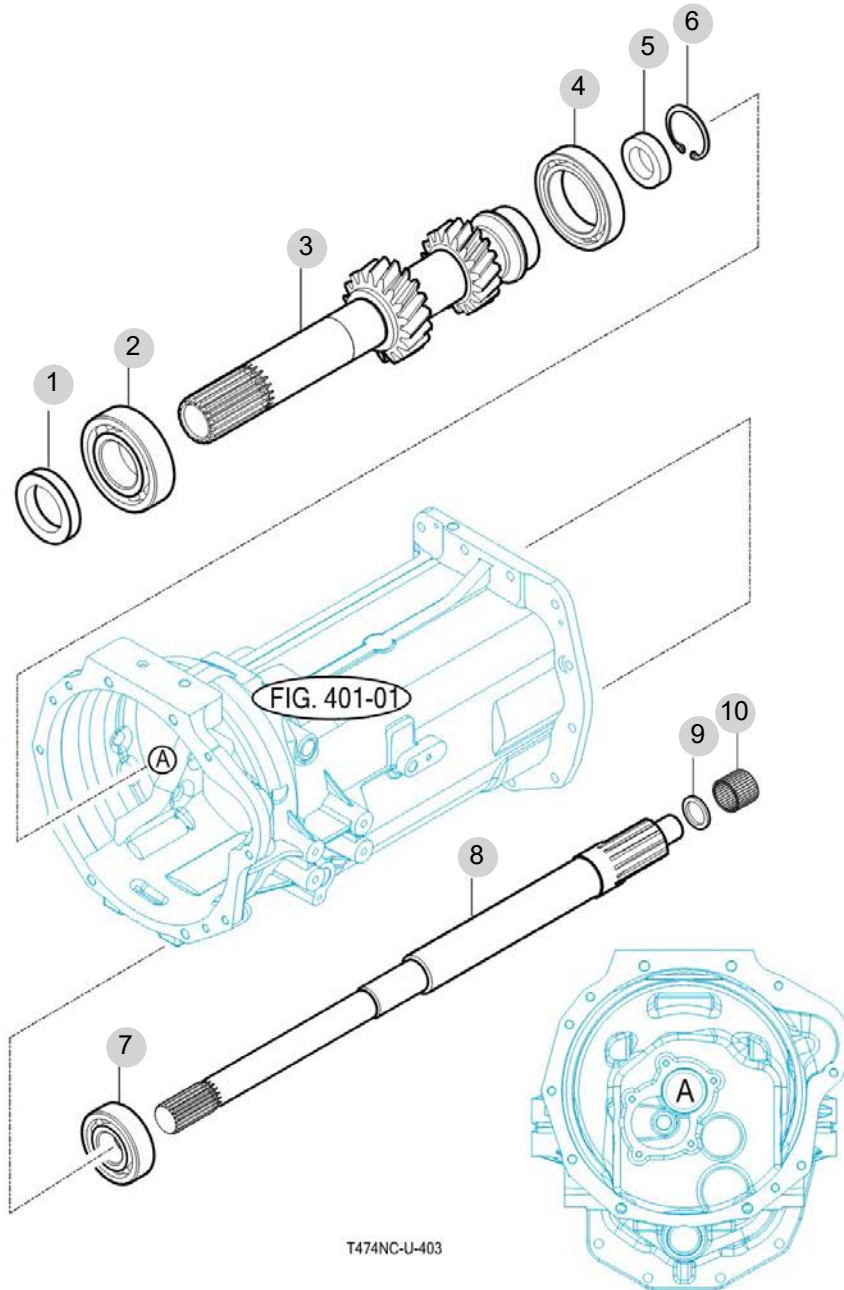
FIG 403

T475NCEU

INPUT GEAR

년/월
Year/Month

2022-12



NOTE

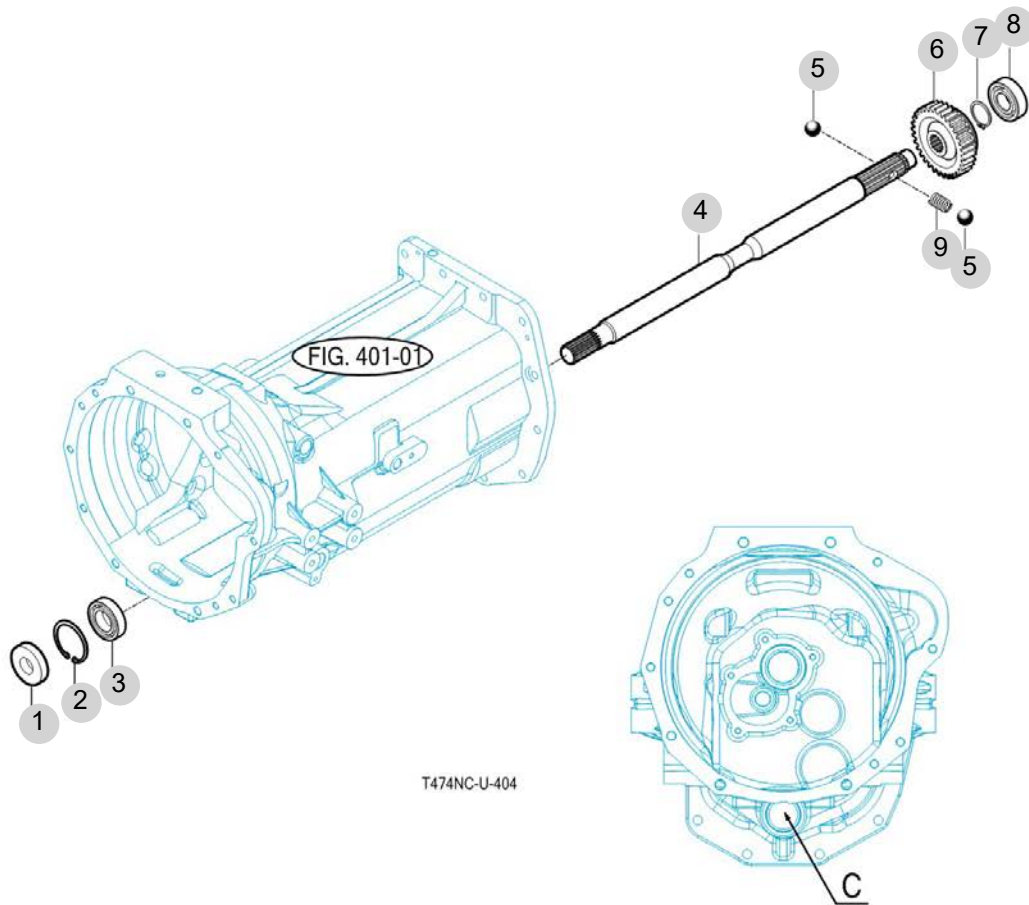
FIG 404

T475NCEU

4WD DRIVE GEAR

년/월
Year/Month

2022-12



NOTE

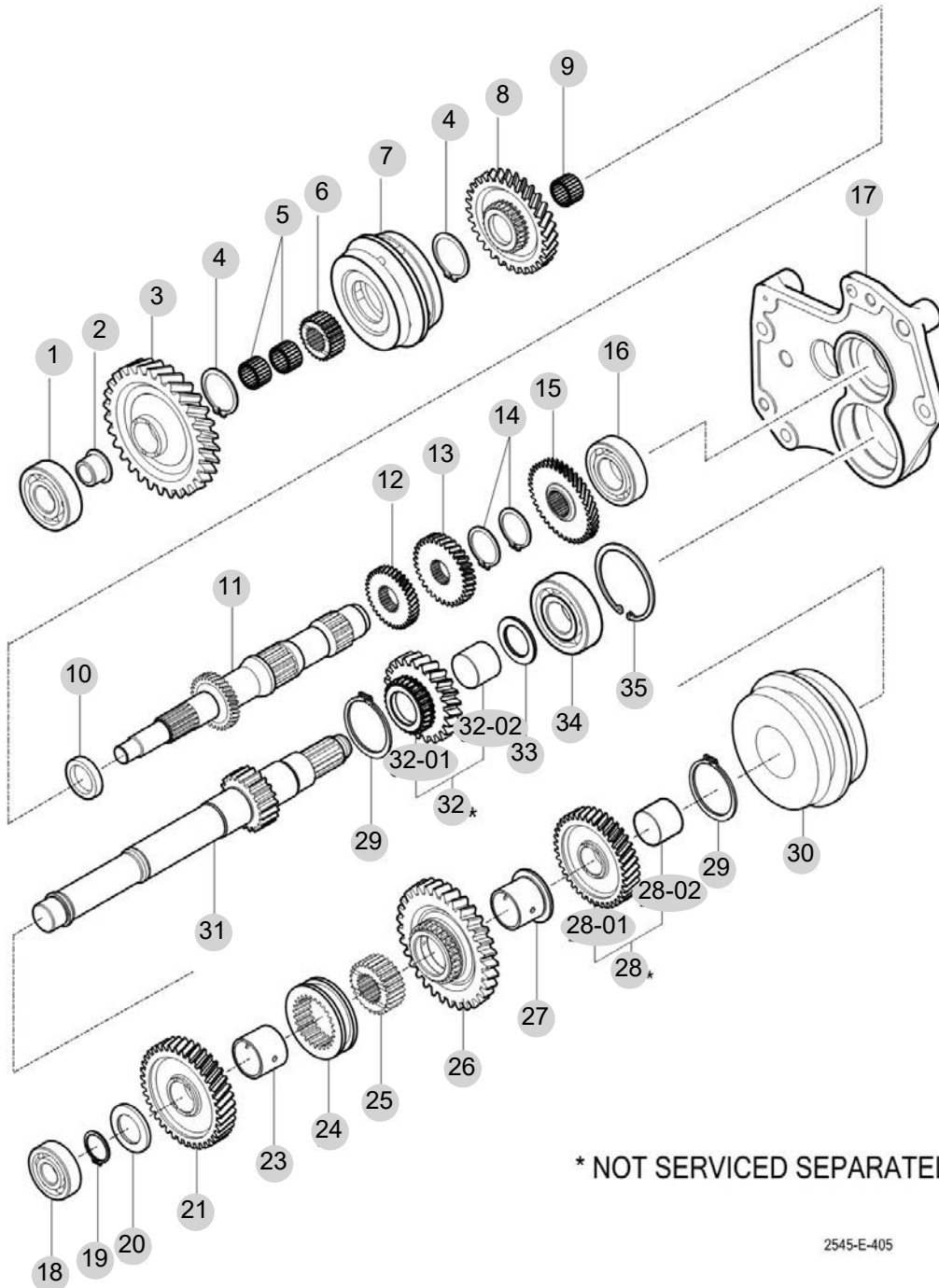
FIG 405

MAIN CHANGE GEARS & REVERSE GEARS

년/월
Year/Month

2022-12

T475NCEU



NOTE

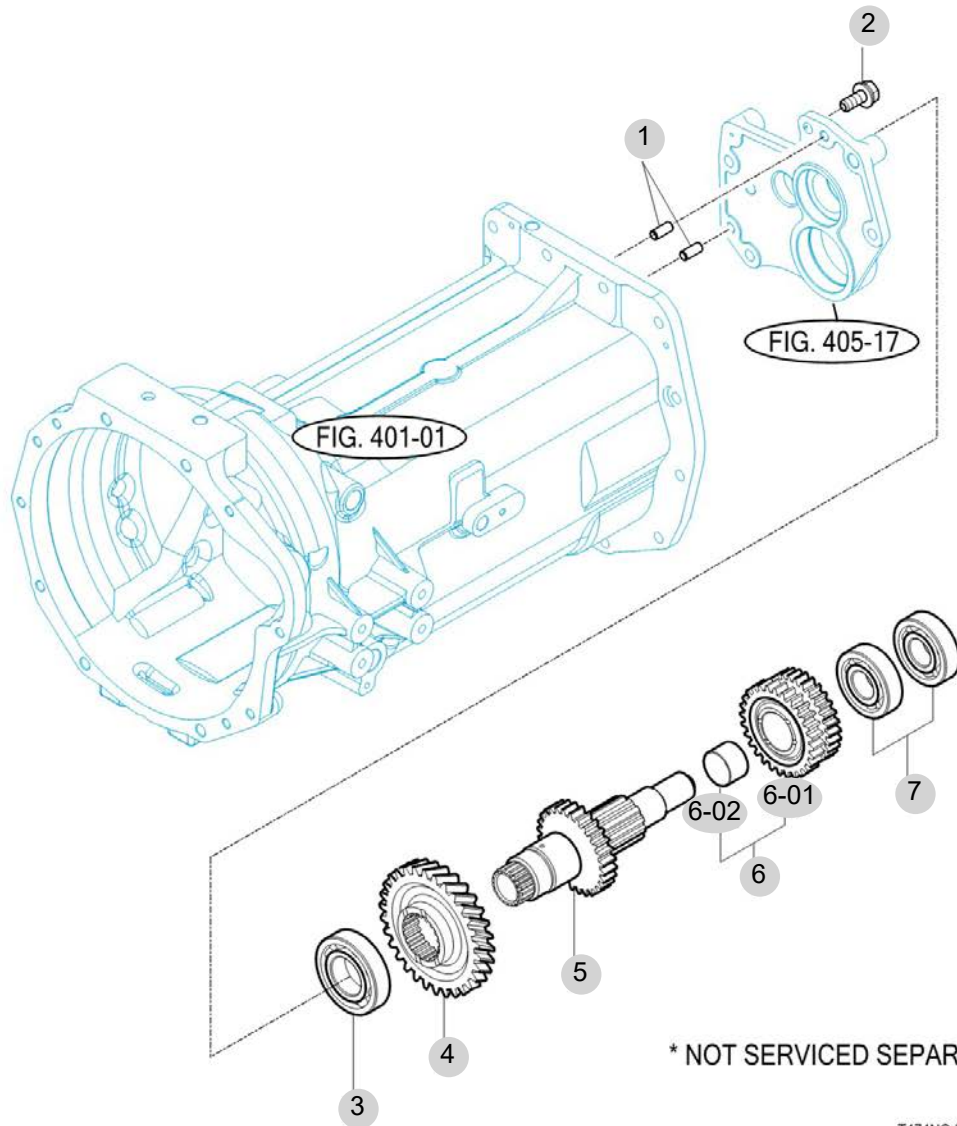
FIG 406

T475NCEU

SUB CHANGE GEARS

년/월
Year/Month

2022-12



T474NC-U-406

NOTE

FIG 406 T475NCEU	SUB CHANGE GEARS	년/월 Year/Month
		2022-12

KEY NO	PART NO	DESCRIPTION	SPEC	QTY	REPAIR	EFFECTIVE DATE	REMARKS
406	1	V5201010022	평행핀(A)	10X22	2		
406	2	V2173612030	소형육각볼트보통(S)	M12X30	4		
406	3	V6001106207	볼베어링	6207	1		
406	4	14572420021	기어(헬리컬/37)		1		
406	5	16702421010	기어(24-11)		1		
406	6	16702611301	기어(스퍼/29-28) ASSY		1		
406	6-01	16702611311	기어(스퍼/29-28)		1		
406	6-02	16702611320	부시(30X32X21)		1		
406	7	V6001106305	볼베어링	6305	2		

NOTE

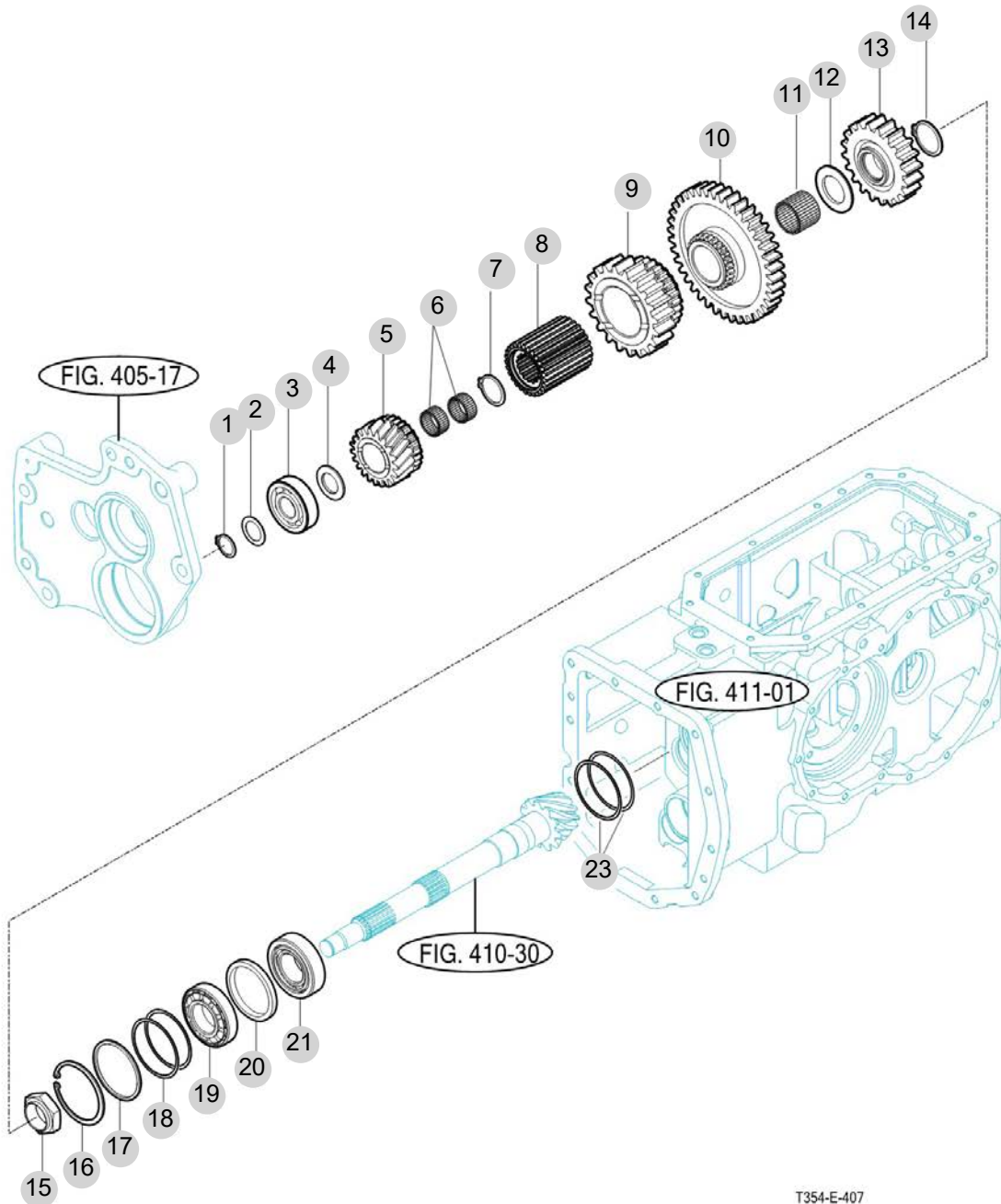
FIG 407

T475NCEU

PINION GEARS

년/월
Year/Month

2022-12



T354-E-407

NOTE

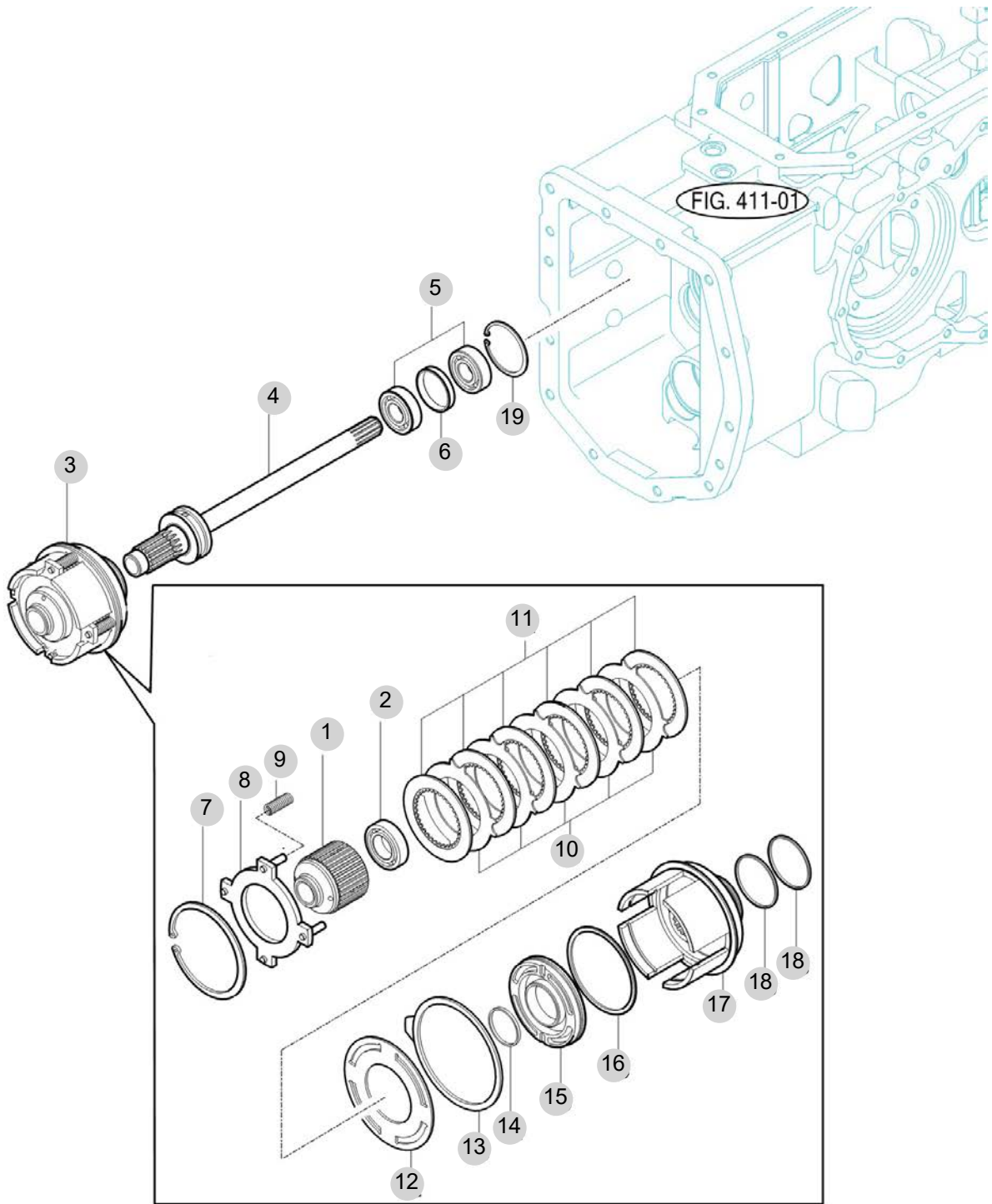
FIG 408

T475NCEU

P.T.O DRIVE SHAFT

년/월
Year/Month

2022-12



T354-E-408

NOTE

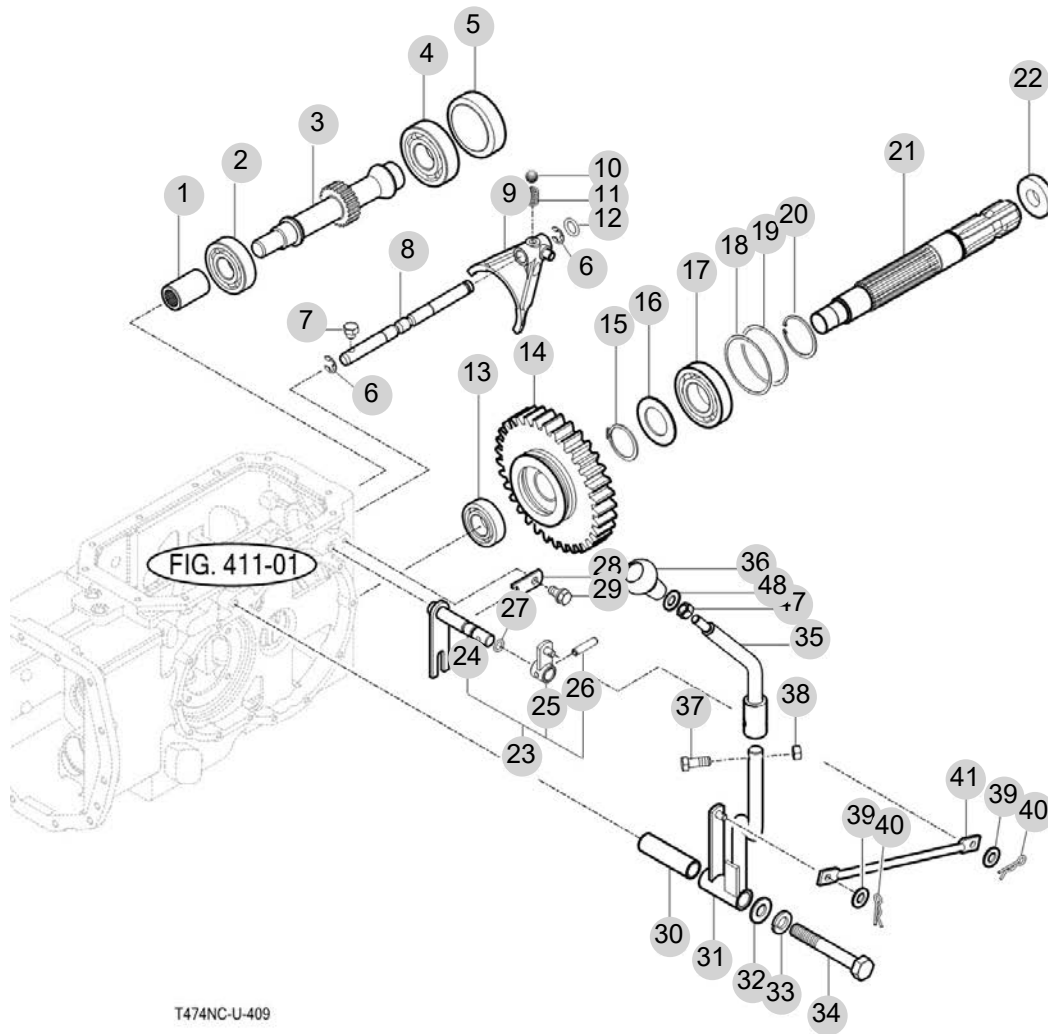
FIG 409

T475NCEU

P.T.O CHANGE GEARS

년/월
Year/Month

2022-12



NOTE

FIG 409		P.T.O CHANGE GEARS					년/월 Year/Month		
							2022-12		
T475NCEU		KEY NO	PART NO	DESCRIPTION	SPEC	QTY	REPAIR	EFFECTIVE DATE	REMARKS
409	1	14211340190	커플링			1			
409	2	V6041106305	볼베어링(HL1)	6305HL1		1			
409	3	13212543530	기어 , 스퍼 PTO 11			1			
409	4	V6041106306	볼베어링(HL1)	6306HL1		1			
409	5	14254330180	캠(72)			1			
409	6	V7081400100	E형멈춤링	Ø10		2			
409	7	15602231610	볼트(셋트/M8X16)			1			
409	8	13212540020	PTO 시프트스테이			1			
409	9	16702540011M	포크(PTO)			1			
409	10	V6802000010	강구	5/16		1			
409	11	13022250030	시프터스프링			1			
409	12	V7201024010	O링(P)	P10		1			
409	13	V6041106205	볼베어링(HL1)	6205HL1		1			
409	14	13212543500	기어(스퍼/PTO 54)			1			
409	15	V7041400350	C형멈춤링(축용)	Ø35		1			
409	16	14443140041	칼라(35X50X2)			1			
409	17	V6001106207	볼베어링	6207		1			
409	18	79642010080	심(B)			2			
409	19	16322730030	심(0.5)			1			
409	20	V7051400720	C형멈춤링(구멍용)	Ø72		1			
409	21	16703140011	PTO축			1			
409	22	16322732000	씰(오일) ASSY			1			
409	23	16702555102	리어 PTO 후크 SET			1			
409	24	16702542102	리어 PTO 후크 COMP			1			
409	25	16702432201	암(부변속) COMP			1			
409	26	V5801406025	스프링핀	6X25		1			
409	27	V7201024012	O링(P)	P12		1			
409	28	16702230371	플레이트			1			
409	29	V2173608016	소형육각볼트보통(S)	M8X16		1			
409	30	16702440070	허브(13X17X61)			1			
409	31	16702552103	PTO 레버 ,하 COMP			1			
409	32	V4111600120	평와셔	M12		1			
409	33	V4011600120	스프링와셔	M12		1			
409	34	V2013612085	소형육각볼트(보통)	M12X85		1			
409	35	13832552200GB	레버 COMP , PTO/상			1			
409	36	16992190102	그립(PTO)			1			
409	36	19682190100	그립(PTO)			1			
409	37	V2013608035	소형육각볼트(보통)			1			
409	38	V3042600080	소형육각너트보통2종	M8		1			
409	39	V4111600080	평와셔	M8		2			
409	40	V5601600008	스냅핀	8		2			
409	41	16702553100	로드(236)			1			
409	47	19027010010	소형육각너트가는2종	M10		1			
409	48	V4111600100	평와셔	M10		1			
NOTE									

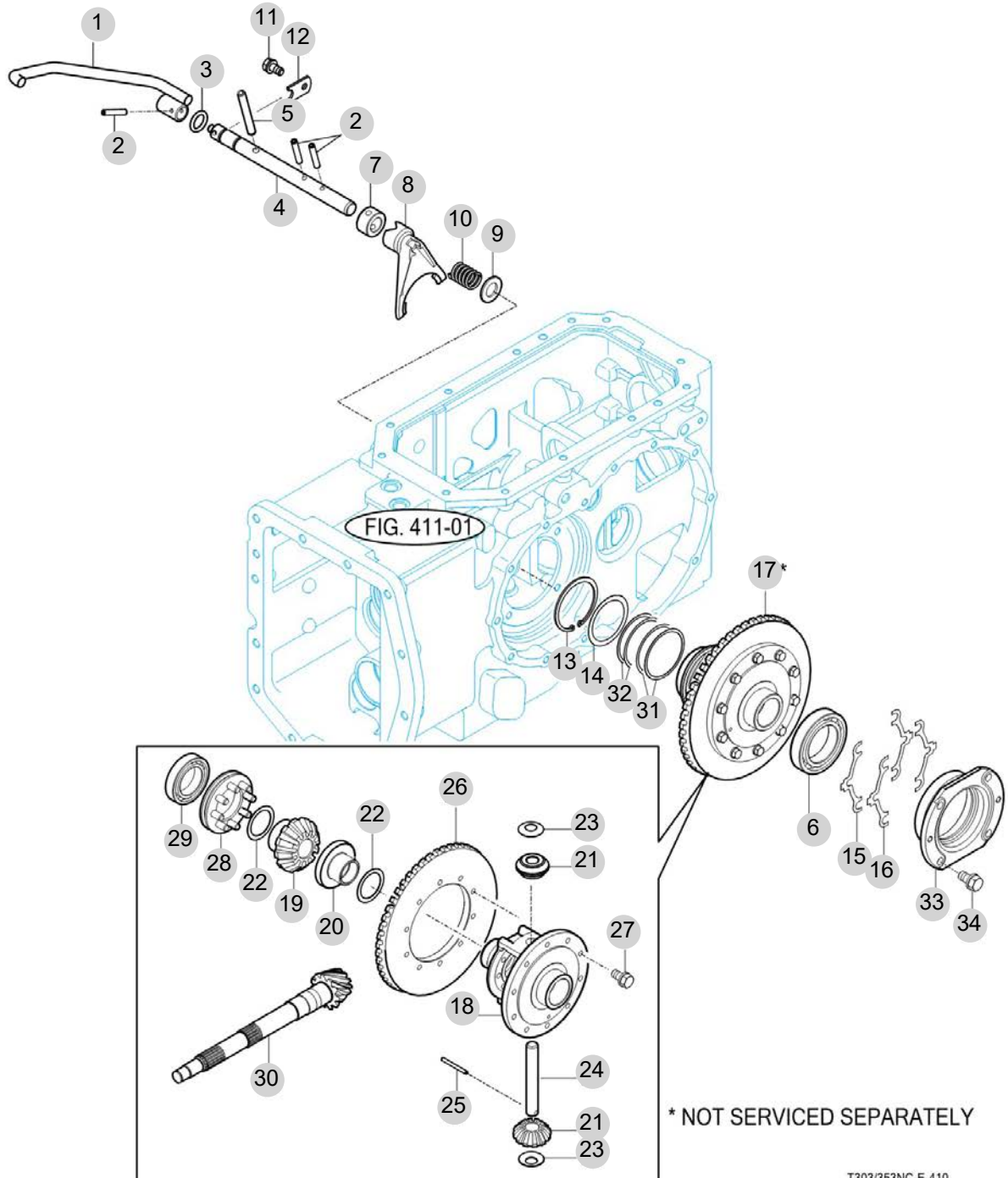
FIG 410

T475NCEU

DIFF LOCK

년/월
Year/Month

2022-12



T303/353NC-E-410

NOTE

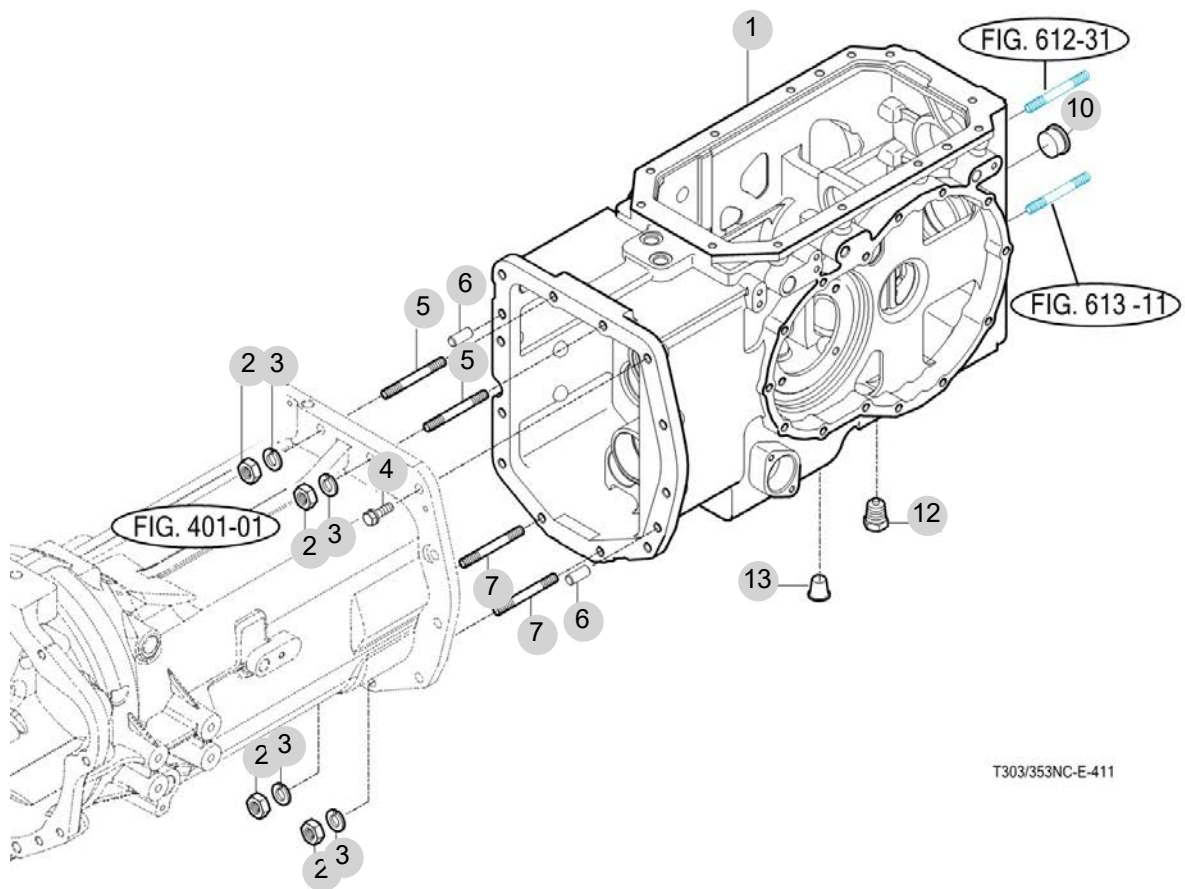
FIG 411

T475NCEU

TRANSMISSION REAR CASE

년/월
Year/Month

2022-12



NOTE

FIG 411		TRANSMISSION REAR CASE						년/월 Year/Month
T475NCEU								2022-12
KEY NO	PART NO	DESCRIPTION	SPEC	QTY	REPAIR	EFFECTIVE DATE	REMARKS	
411	1	13612400010M	리어트랜스미션케이스					
411	2	V3043600120	소형육각너트보통2종	M12	4			
411	3	V4011600120	스프링와셔	M12	4			
411	4	V2173612040	소형육각볼트보통(S)	M12X40	8			
411	5	V2513412045	스터드볼트2종	M12X45	2			
411	6	V5201010022	평행핀(A)	10X22	2			
411	7	V2514412040	스터드볼트2종	M12X40	2			
411	10	11103062000	오일 점검게이지ASSY		1			
411	12	16701015001	마그네틱플러그ASSY		1			
411	13	14273170040	캠(M14)		4			
NOTE								

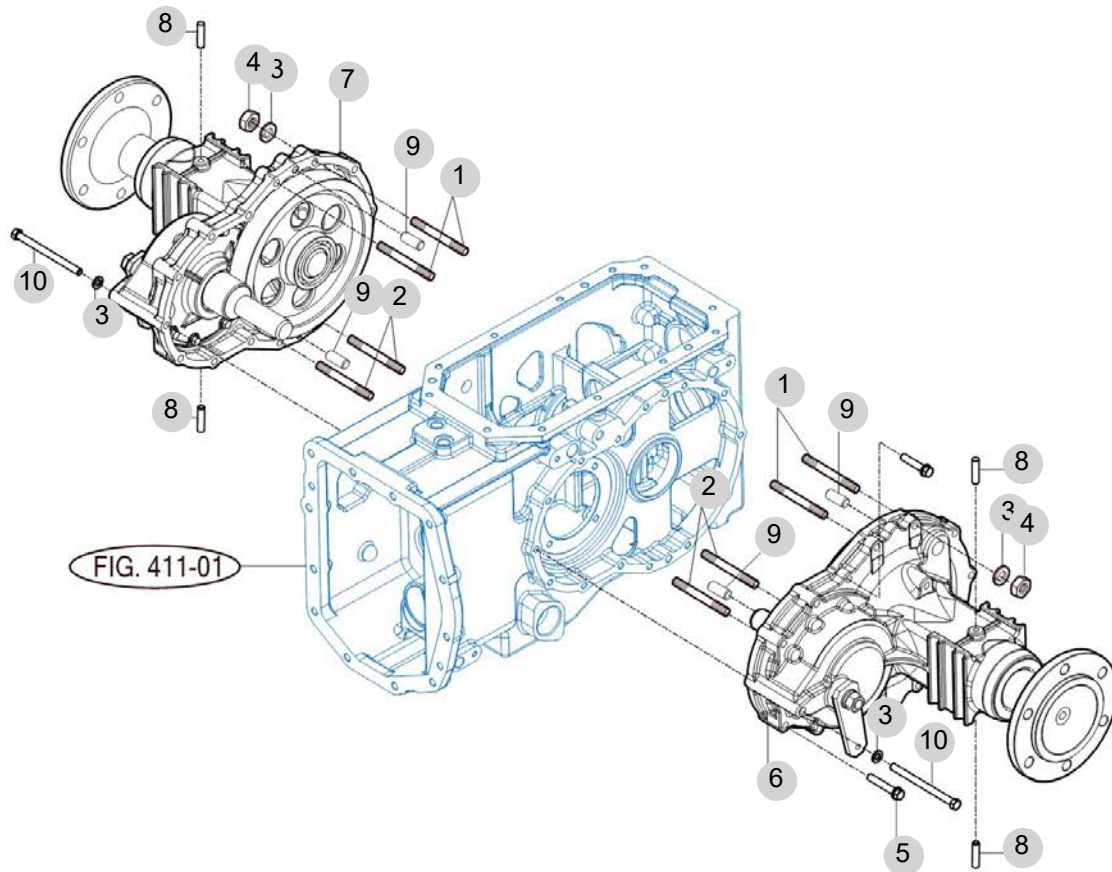
FIG 412

T475NCEU

REAR AXLE HOUSINGS (1)

년/월
Year/Month

2022-12



2538NH-E-412

NOTE

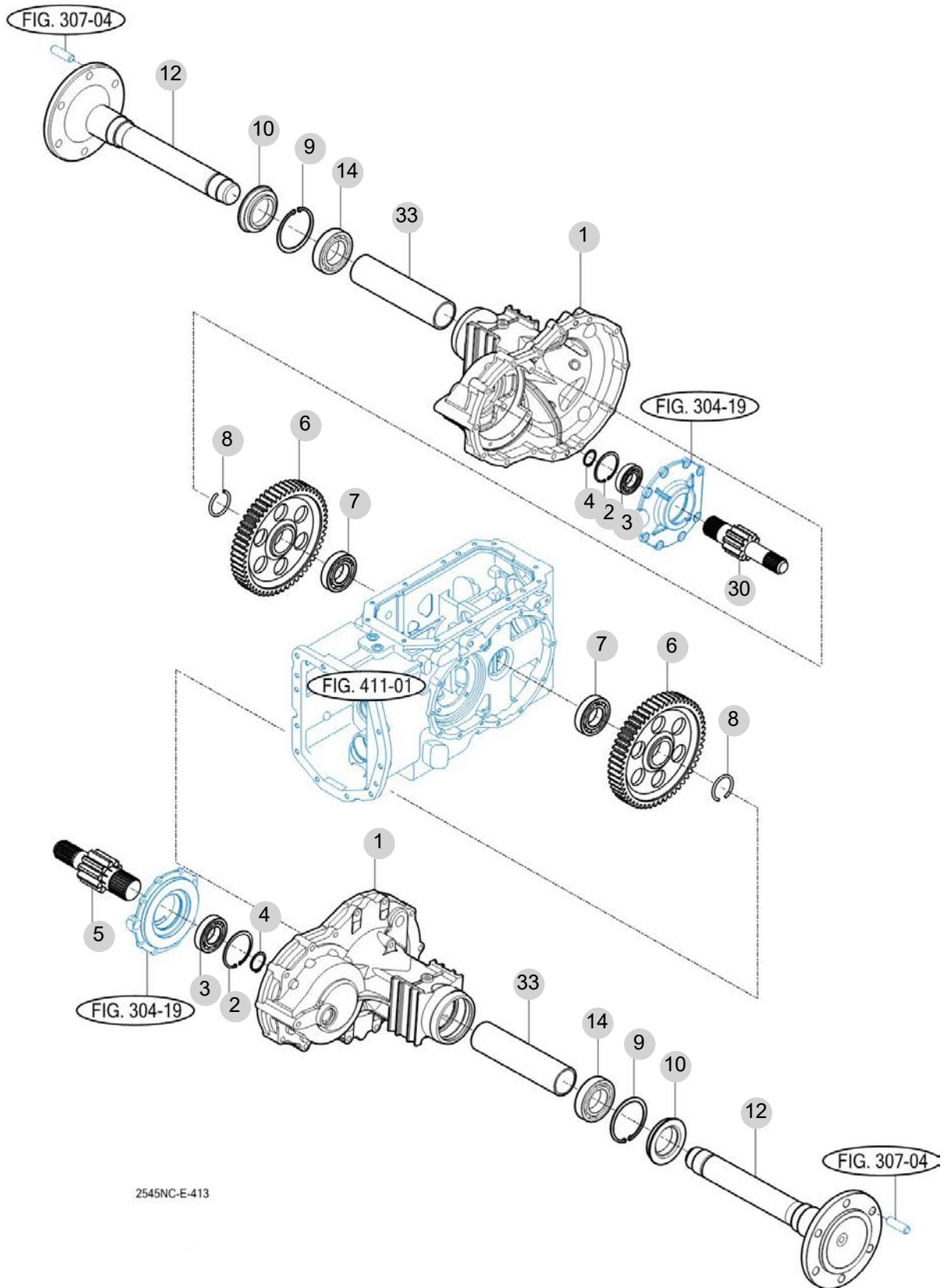
FIG 413

T475NCEU

REAR AXLE HOUSINGS (2)

년/월
Year/Month

2022-12



2545NC-E-413

NOTE

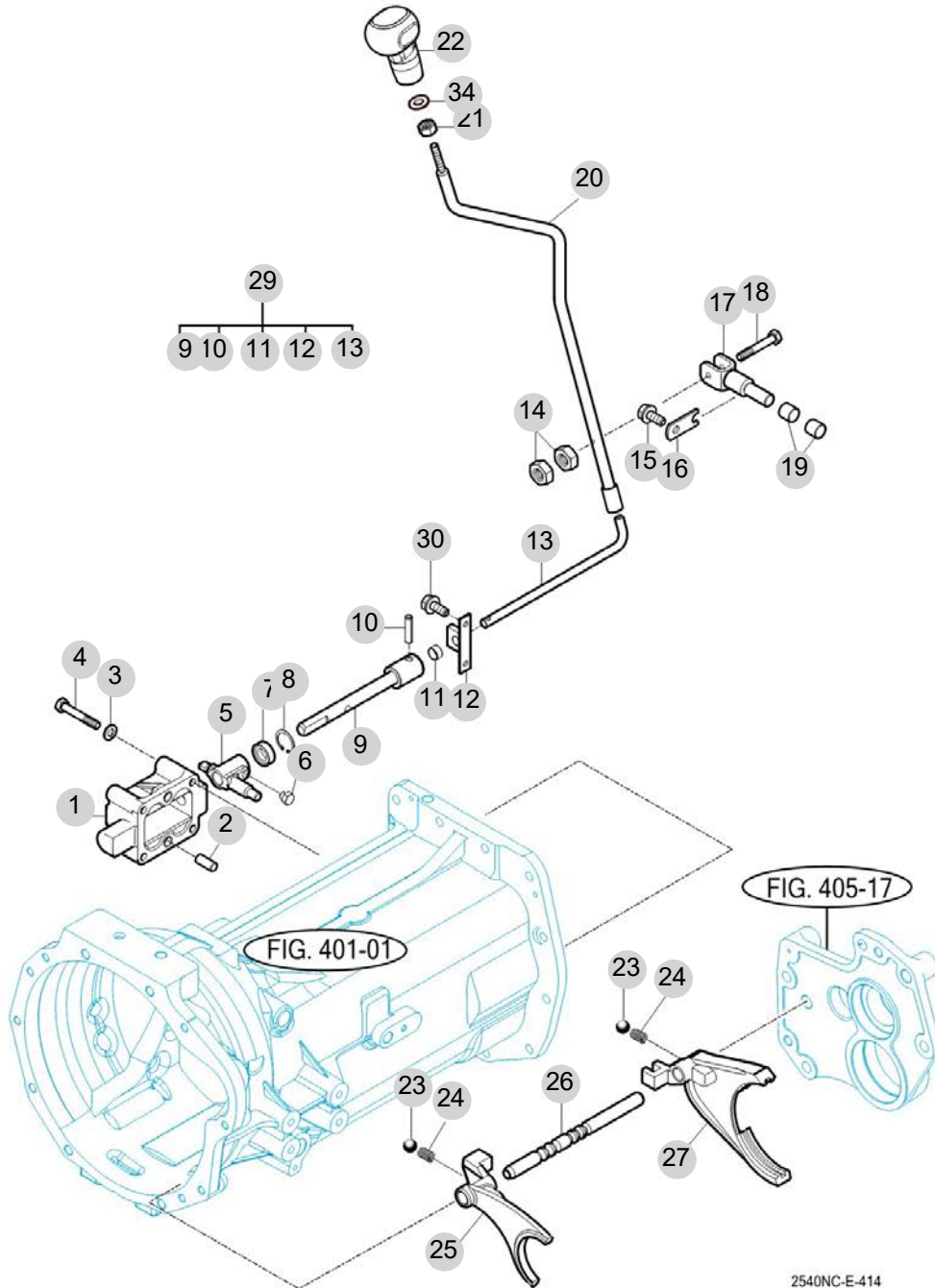
FIG 414

T475NCEU

MAIN CHANGE LEVER

년/월
Year/Month

2022-12



2540NC-E-414

NOTE

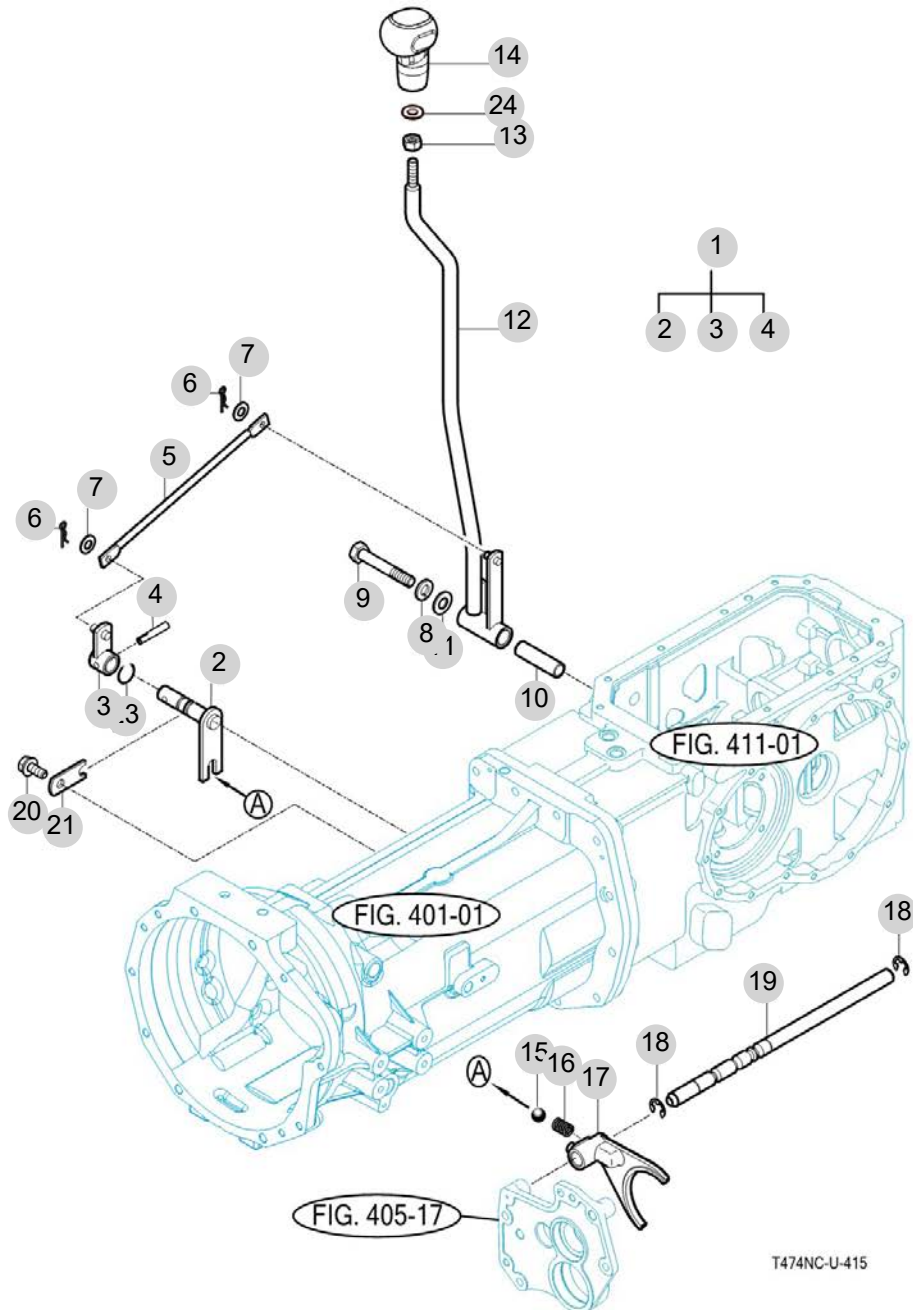
FIG 415

T475NCEU

SUB CHANGE LEVER

년/월
Year/Month

2022-12



NOTE

FIG 415 T475NCEU	SUB CHANGE LEVER	년/월 Year/Month 2022-12
--------------------------------	-------------------------	----------------------------------

KEY NO	PART NO	DESCRIPTION	SPEC	QTY	REPAIR	EFFECTIVE DATE	REMARKS
415	1	16702432002	암SET (부변속)	1			
415	2	16702432102	후크 COMP(부변속)	1			
415	3	16702432201	암(부변속) COMP	1			
415	4	V5111006036	스플릿테이퍼핀	1			
415	5	16702440021	로드(부변속, 275)	1			
415	6	V5601600008	스냅핀	2		8	
415	7	V4111600080	평와셔	2		M8	
415	8	V4011600120	스프링와셔	1		M12	
415	9	V2013612085	소형육각볼트(보통)	1			
415	10	16702440070	허브(13X17X61)	1			
415	11	V4111600120	평와셔	1		M12	
415	12	16702442104	부변속 레버COMP	1			
415	12	16702442105	부변속 레버COMP	1			
415	13	V3342600100	소형육각너트가는2종	1		M10	
415	14	13832442400	손잡이(부변속)	1			
415	15	V6802000010	강구	1		5/16	
415	16	13022250030	시프터스프링	1			
415	17	16702430010M	포크(부변속)	1			
415	18	V7081400100	E형멈춤링	2		Ø10	
415	19	16702430022	시프트 스테이	1			
415	20	V2173608016	소형육각볼트보통(S)	1		M8X16	
415	21	16702230371	플레이트	1			
415	23	V7201024012	O링(P)	1		P12	
415	24	V4111600100	평와셔	1		M10	

NOTE	
------	--

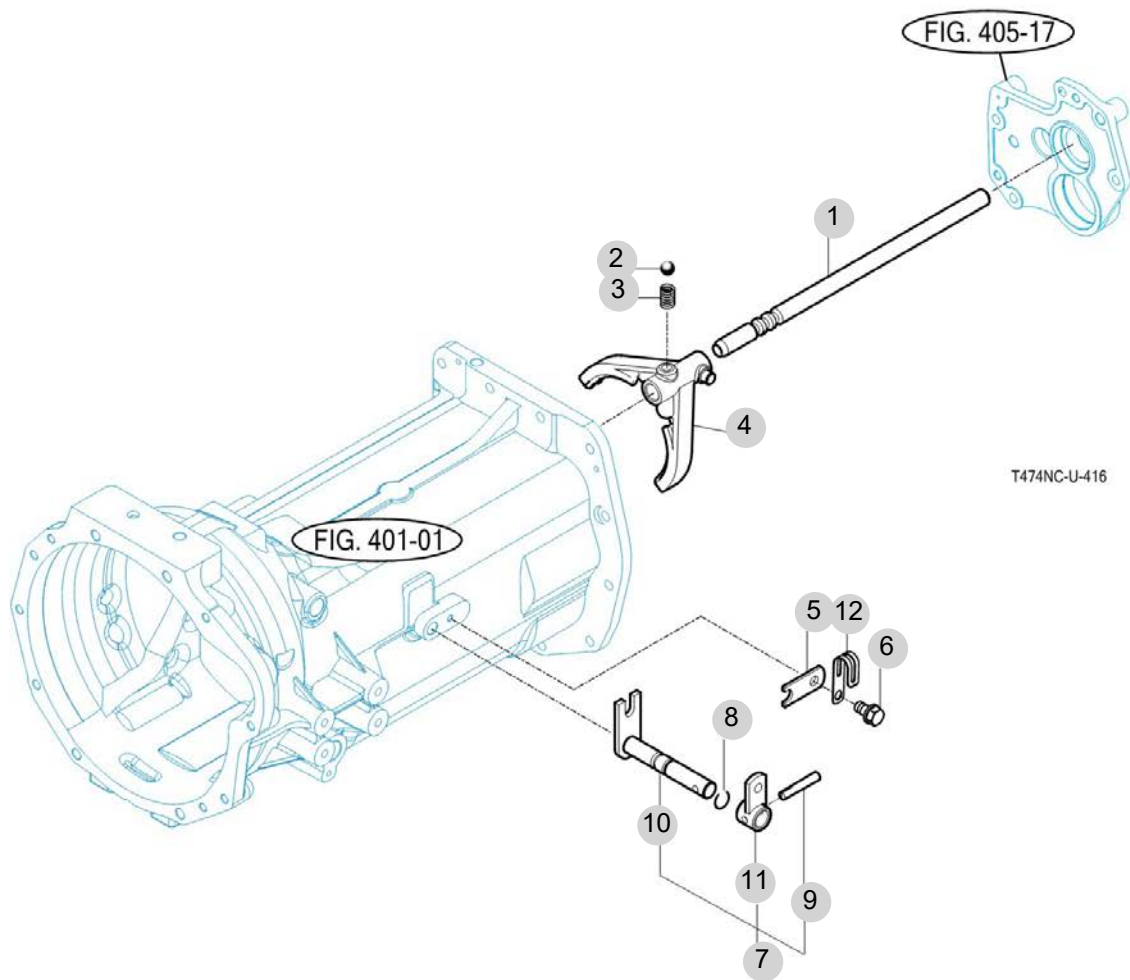
FIG 416

T475NCEU

REVERSE LINK

년/월
Year/Month

2022-12



NOTE

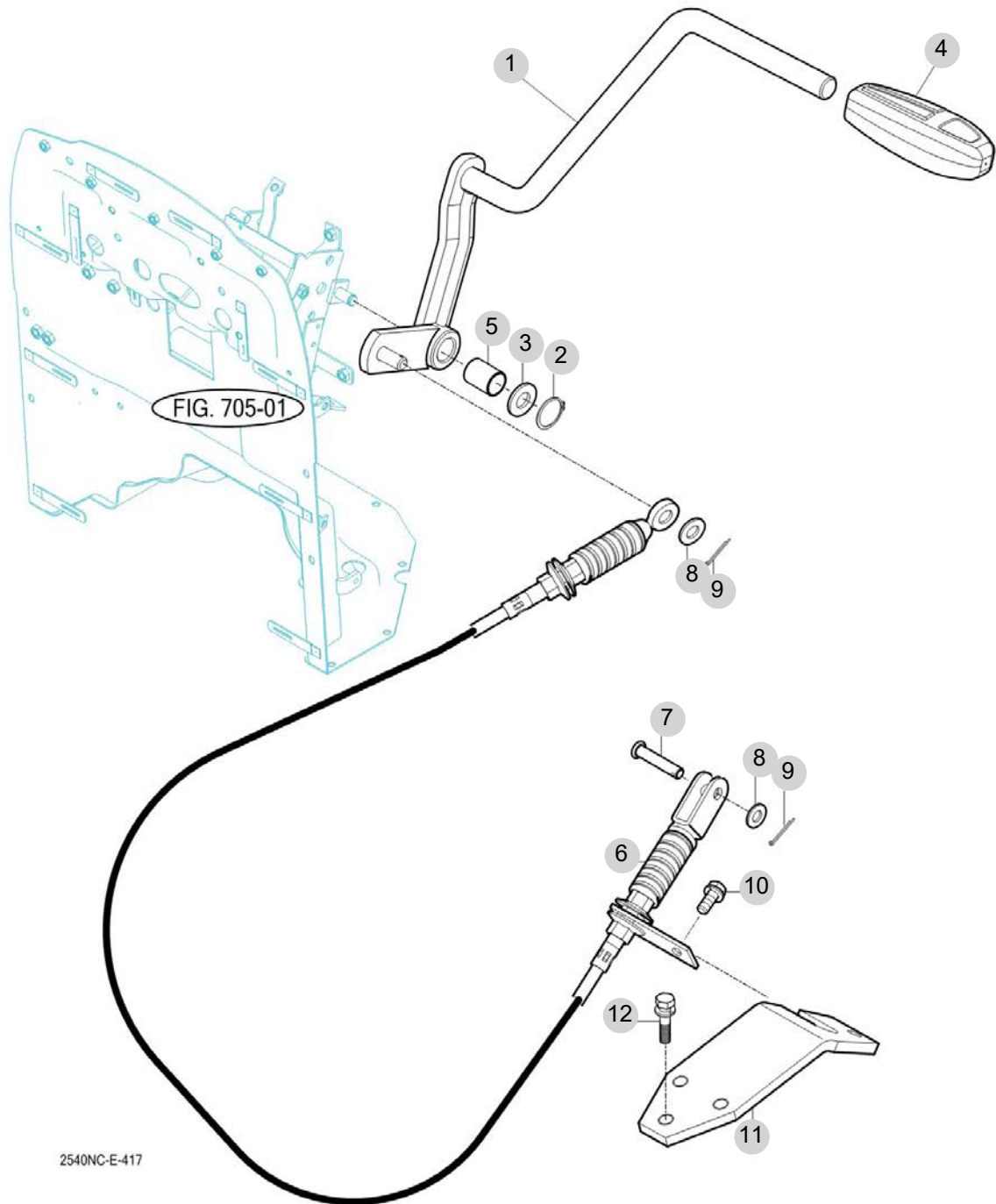
FIG 417

T475NCEU

REVERSE CHANGE LEVER

년/월
Year/Month

2022-12



NOTE

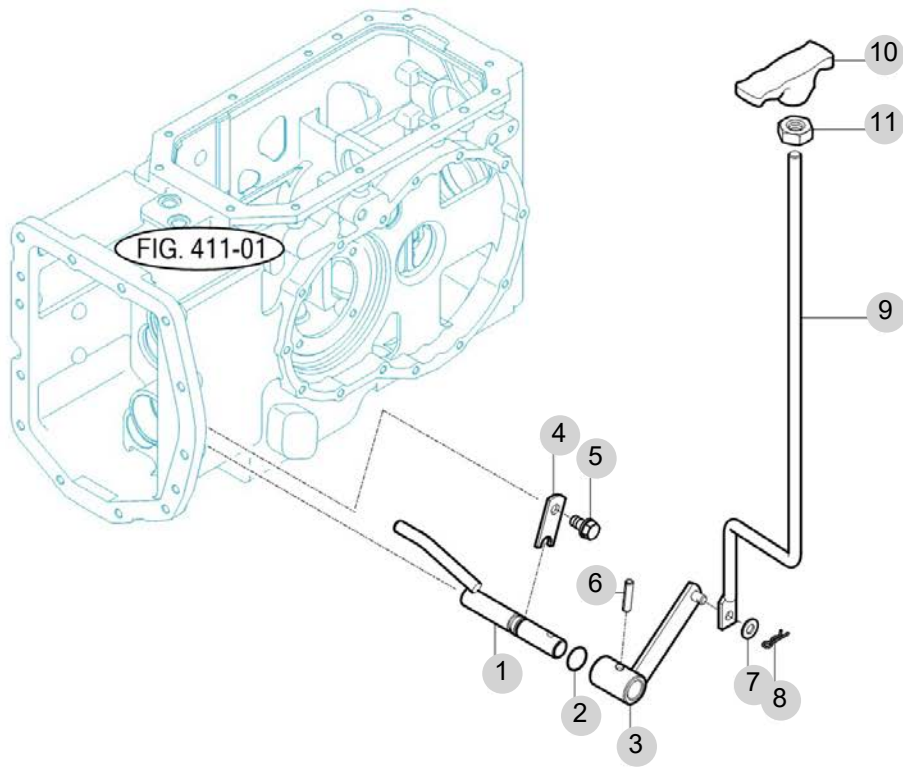
FIG 418

4WD CHANGE LEVER

년/월
Year/Month

T475NCEU

2022-12



T303/353NC-E-418

NOTE

5. 프런트 액슬 PART NO. T5

FIG 501 FRONT AXLE BRACKET	168
FIG 502 FRONT DIFF. GEARS & SHAFT	170
FIG 503 FRONT AXLE HOUSING	172
FIG 504 FRONT GEAR CASE (1)	174
FIG 505 FRONT GEAR CASE (2)	176

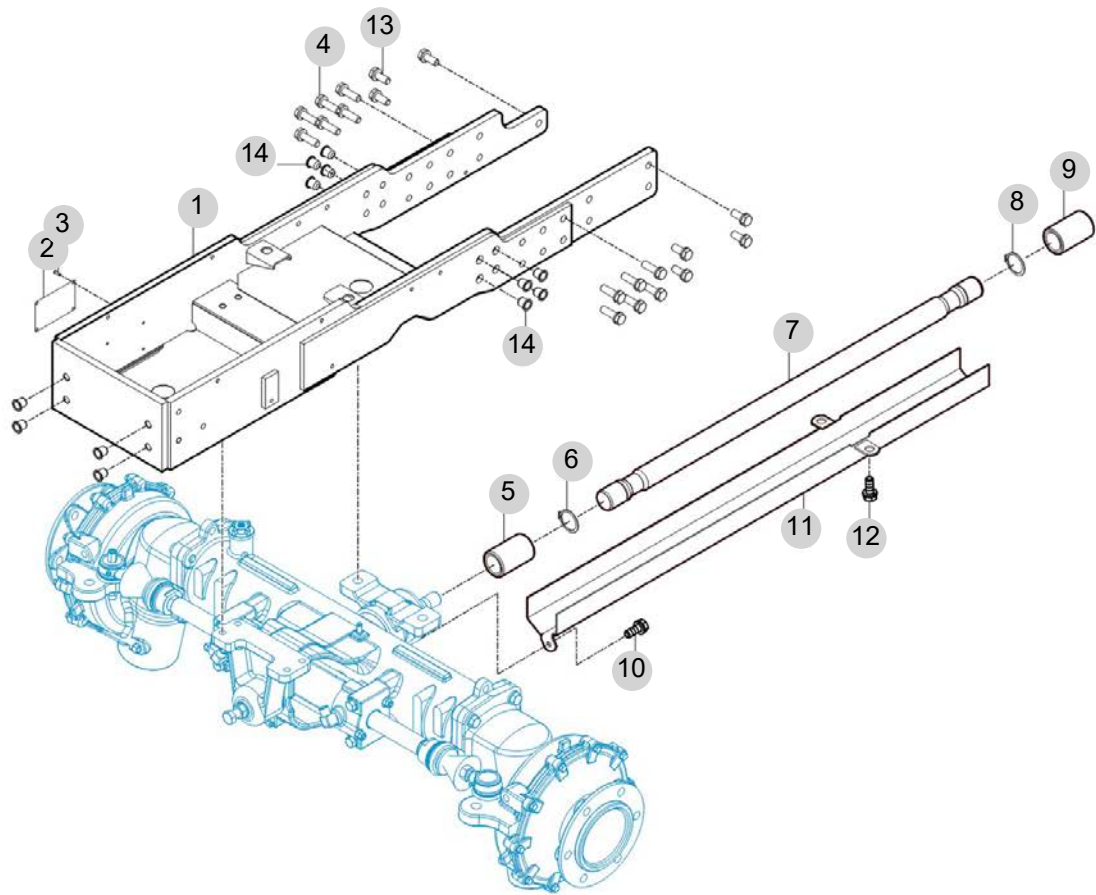
FIG 501

FRONT AXLE BRACKET

년/월
Year/Month

2022-12

T475NCEU



NOTE

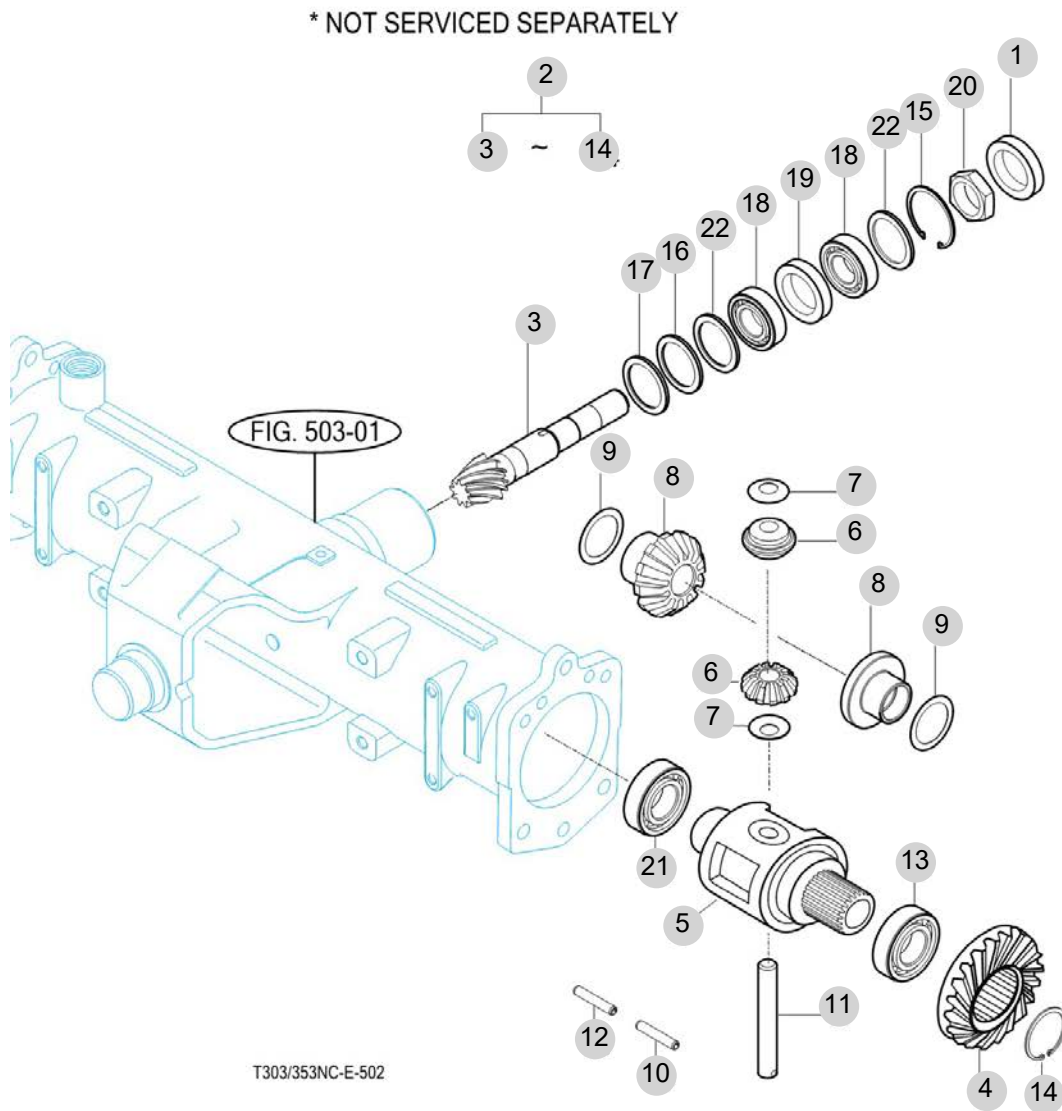
FIG 502

T475NCEU

FRONT DIFF. GEARS & SHAFT

년/월
Year/Month

2022-12



NOTE

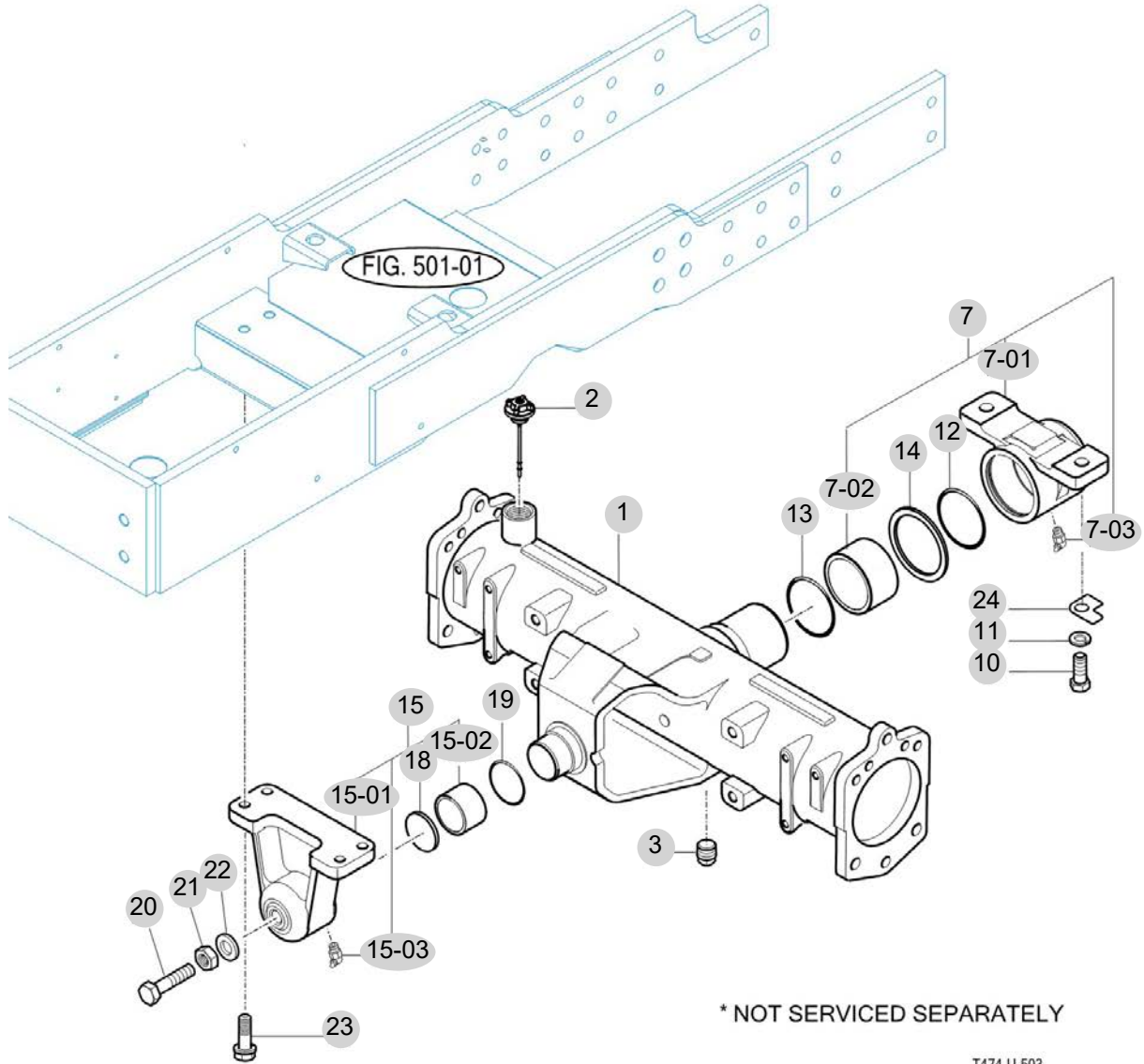
FIG 503

T475NCEU

FRONT AXLE HOUSING

년/월
Year/Month

2022-12



T474-U-503

NOTE

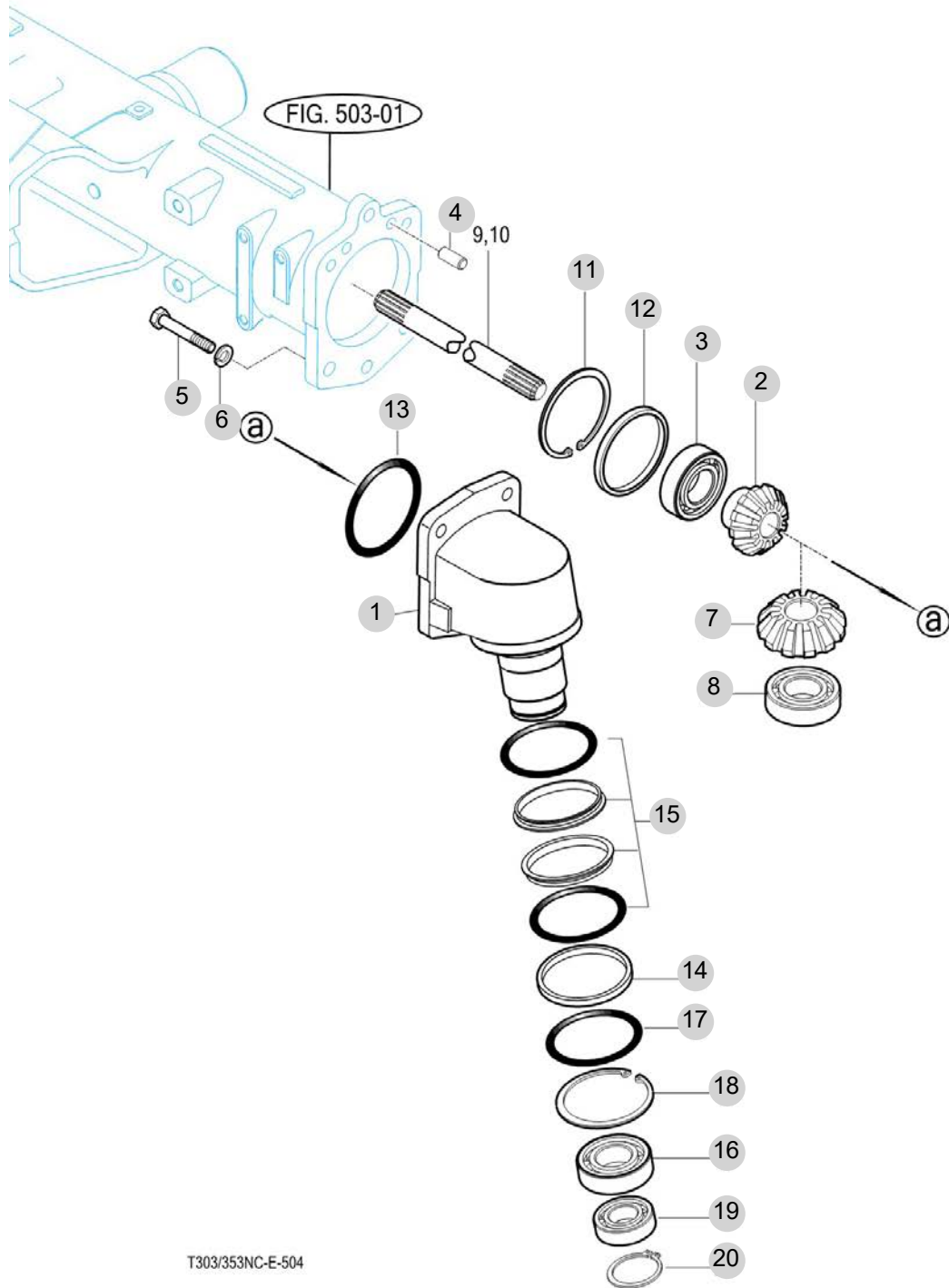
FIG 504

T475NCEU

FRONT GEAR CASE (1)

년/월
Year/Month

2022-12



NOTE

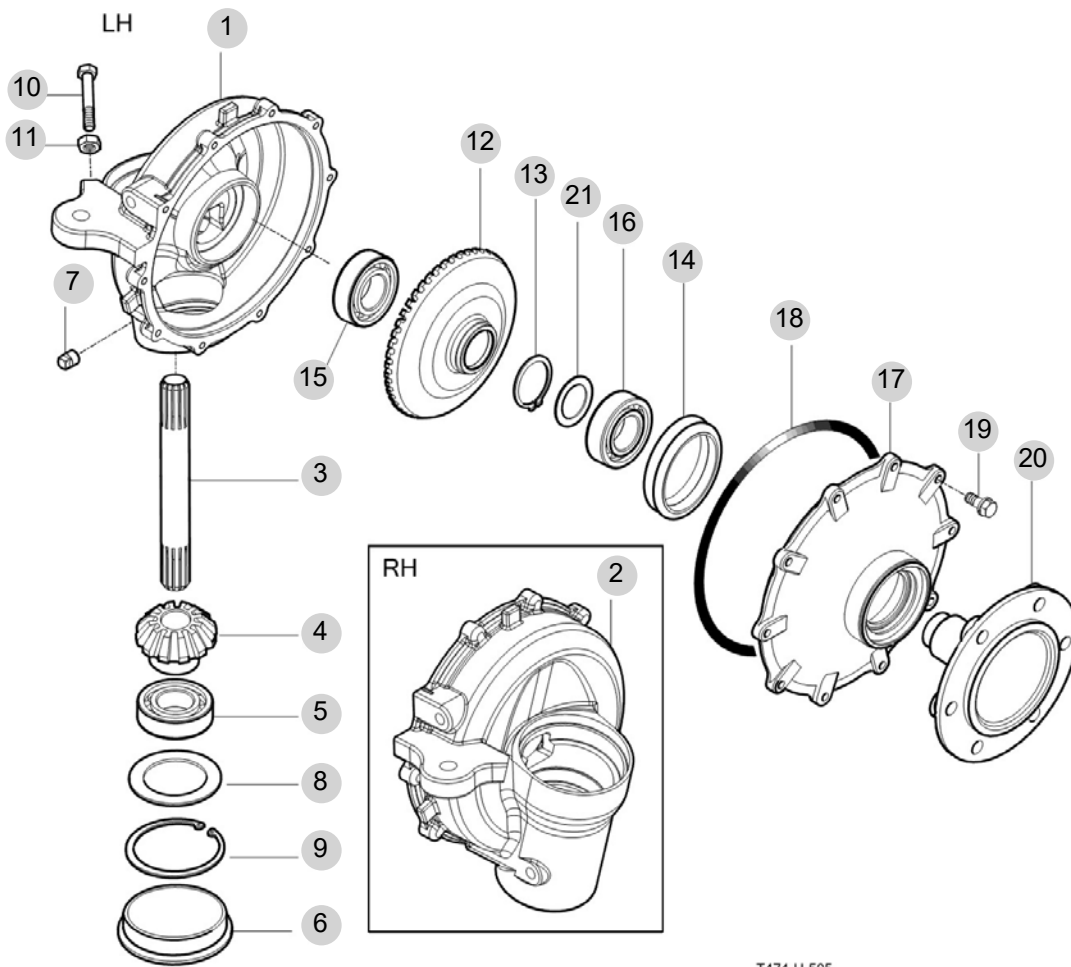
FIG 505

T475NCEU

FRONT GEAR CASE (2)

년/월
Year/Month

2022-12



T474-U-505

NOTE

6. 유압/3점링크 PART NO. T6

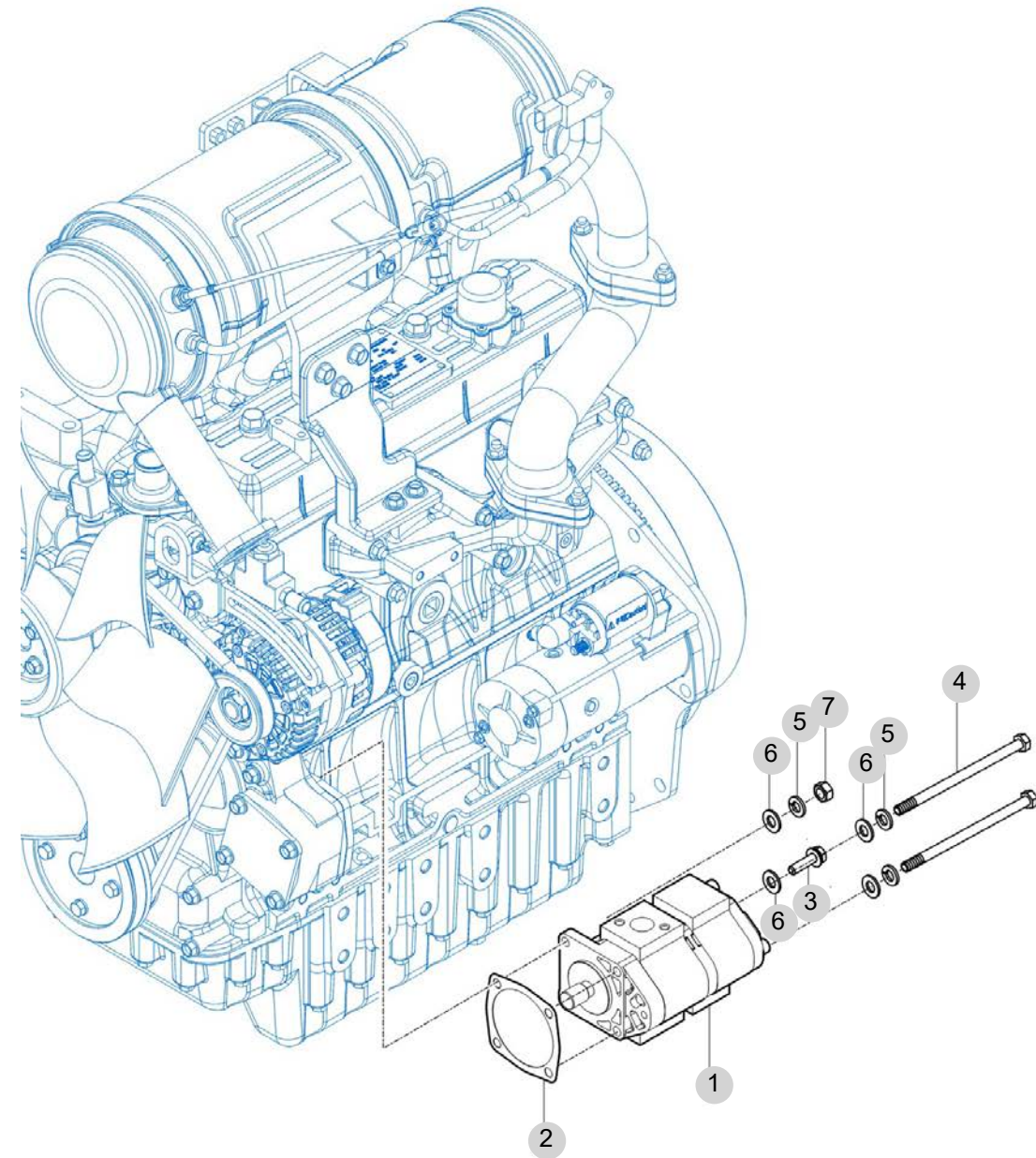
FIG 601 GEAR PUMP	179
FIG 602 CYLINDER CASE	181
FIG 603 LIFT ARM	183
FIG 604 CYLINDER	185
FIG 605 POSITION LINK (1)	187
FIG 606 POSITION LINK (2)	189
FIG 607 CONTROL VALVE	191
FIG 608 POSITION LEVER	193
FIG 609 HYDRAULIC PIPE (1)	195
FIG 610 HYDRAULIC PIPE (2)	198
FIG 611 EXTERIOR HYD. VALVE	200
FIG 612 3-POINT LINK	202
FIG 613 HITCH & COVER	205
FIG 614 EXTERIOR POSITION LEVER	207

FIG 601

GEAR PUMP

년/월
Year/Month

2022-12



NOTE

FIG 601 T475NCEU		GEAR PUMP						년/월 Year/Month	
								2022-12	
KEY NO	PART NO	DESCRIPTION		SPEC	QTY	REPAIR	EFFECTIVE DATE	REMARKS	
601	1	13875103100	기어펌프(13X7.2CC) ASSY			1			
601	2	14045030060	오일펌프팩킹			1			
601	3	V2183608040	소형육각볼트보통(SP)	M8X40	1				
601	4	V2013608170	소형육각볼트(보통)	M8X170	2				
601	5	V4011600080	스프링와셔	M8	3				
601	6	V4111600080	평와셔	M8	4				
601	7	V3042600080	소형육각너트보통2종		M8	1			
NOTE									

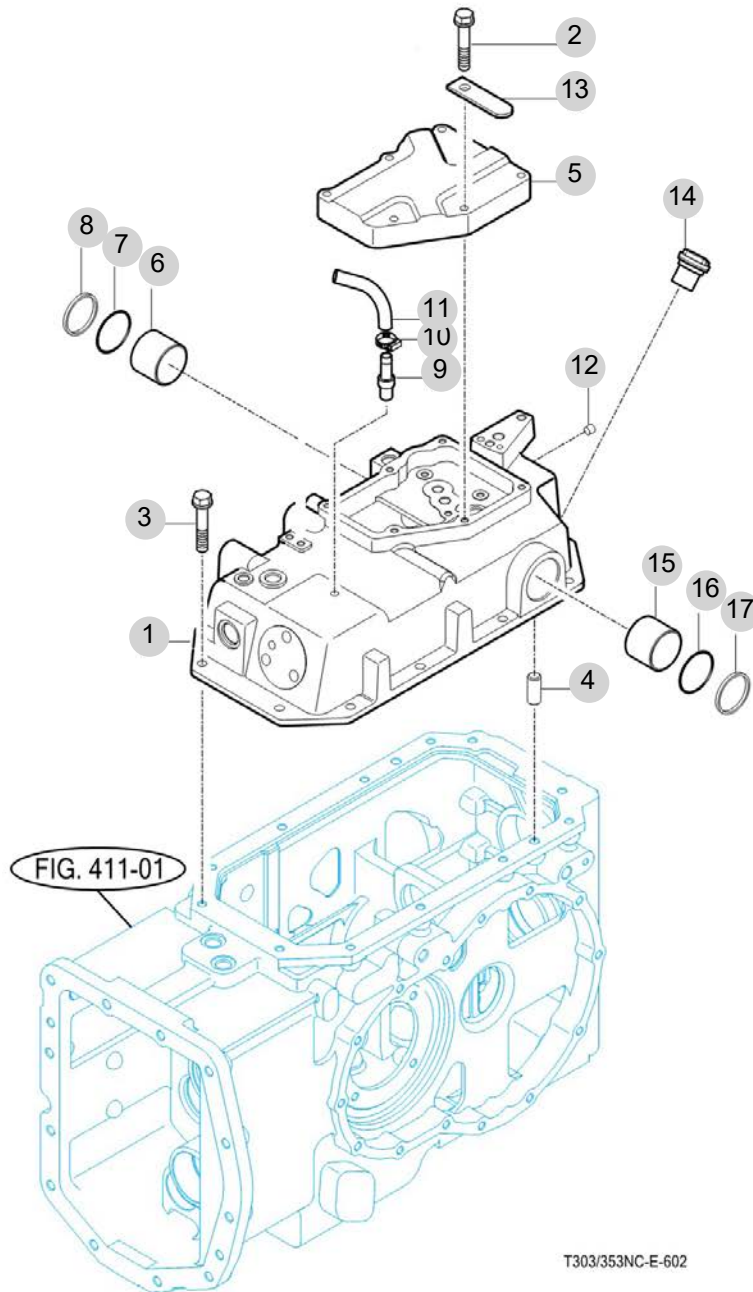
FIG 602

T475NCEU

CYLINDER CASE

년/월
Year/Month

2022-12



T303/353NC-E-602

NOTE

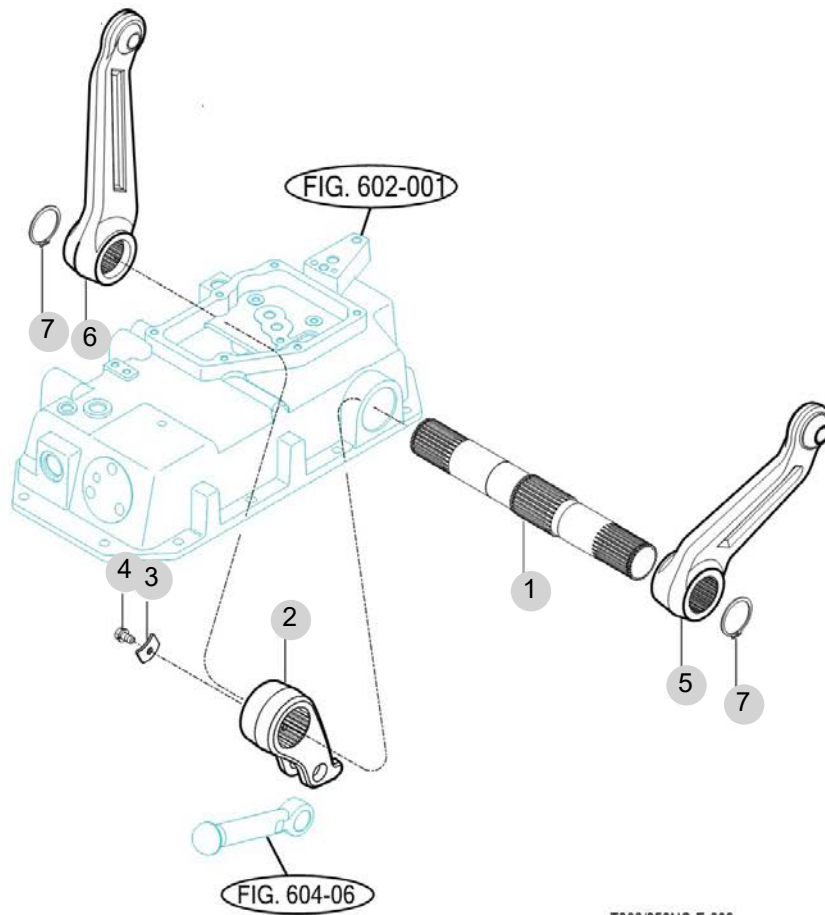
FIG 603

T475NCEU

LIFT ARM

년/월
Year/Month

2022-12



T303/353NC-E-603

NOTE

FIG 603		LIFT ARM						년/월	
								Year/Month	
T475NCEU		2022-12							
KEY NO	PART NO	DESCRIPTION	SPEC	QTY	REPAIR	EFFECTIVE DATE	REMARKS		
603	1	16705020012M	리프트 샤프트		1				
603	2	16705020020M	크랭크(리프트)		1				
603	3	17995020030	고정판		1				
603	4	V2173608016	소형육각볼트보통(S)	M8X16	1				
603	5	16705022100M	암 리프트조합		1				
603	6	16705022100M	암 리프트조합		1				
603	7	V7041400450	C형멈춤링(축용)	45	2				
NOTE									

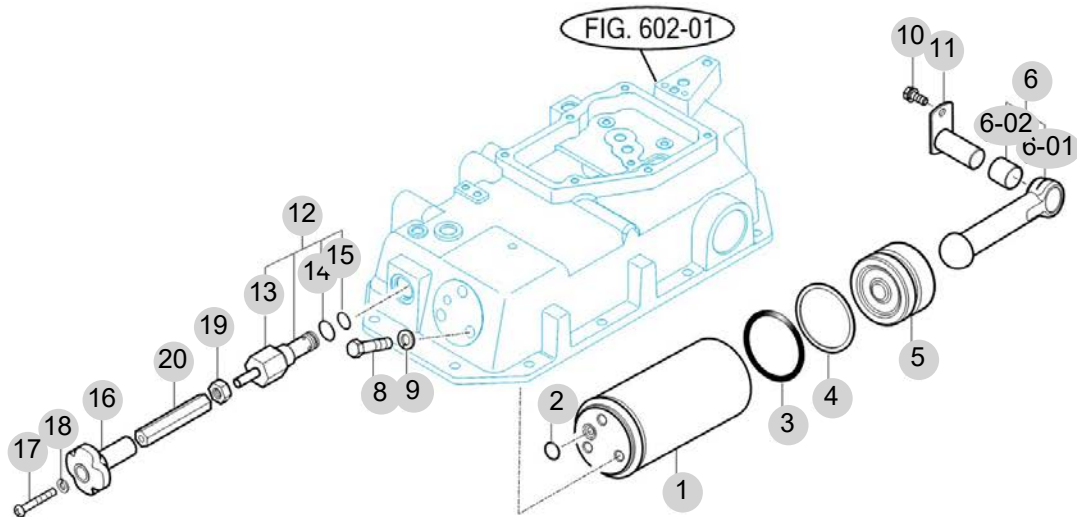
FIG 604

T475NCEU

CYLINDER

년/월
Year/Month

2022-12



T303/353NC-E-604

NOTE

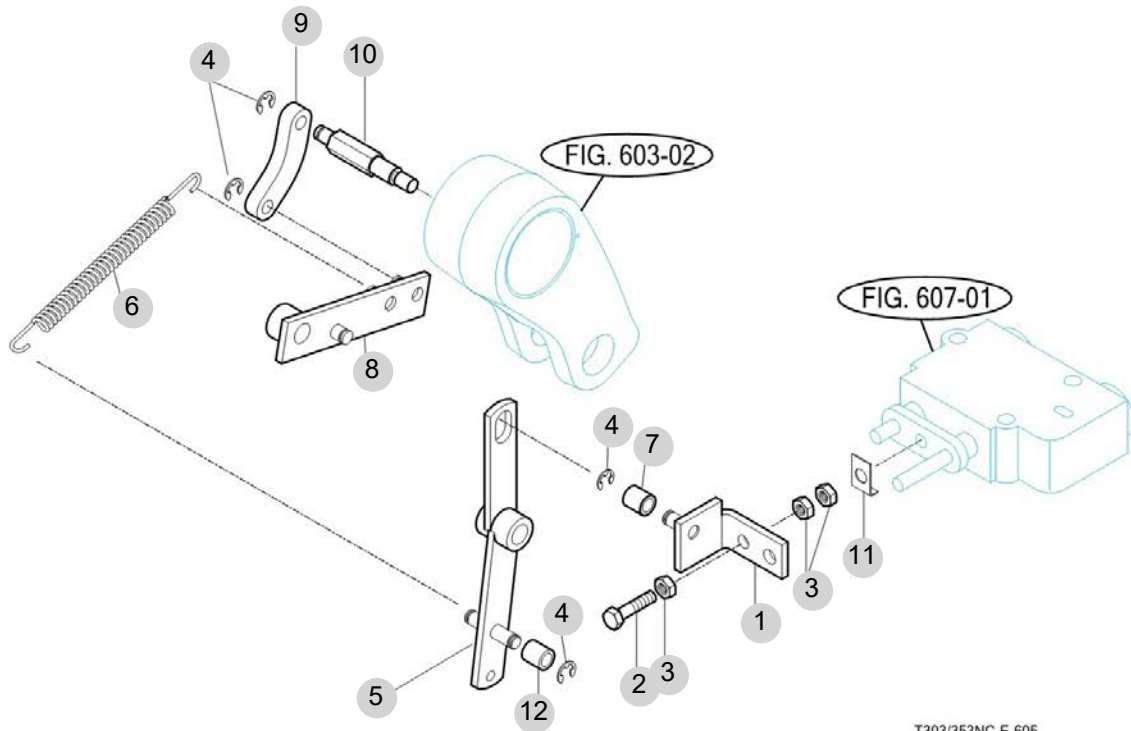
FIG 605

T475NCEU

POSITION LINK (1)

년/월
Year/Month

2022-12



T303/353NC-E-605

NOTE

FIG 605		POSITION LINK (1)					년/월 Year/Month	
T475NCEU							2022-12	
KEY NO	PART NO	DESCRIPTION	SPEC	QTY	REPAIR	EFFECTIVE DATE	REMARKS	
605	1	16705022200	클레비스COMP	1				
605	2	V2013608050	소형육각볼트(보통)	M8X50	1			
605	3	V3043600080	소형육각너트보통2종	M8	3			
605	4	V7081400060	E형멈춤링	6	4			
605	5	17995041100	링크(밸브)COMP		1			
605	6	17995040121	스프링		1			
605	7	17995040130	로울러		1			
605	8	17995041400	암(링크)COMP		1			
605	9	17995040150	링크(크랭크리프트)		1			
605	10	17995040160	핀(링크)		1			
605	11	17995040170	록와셔		1			
605	12	17995040131	로울러		1			
NOTE								

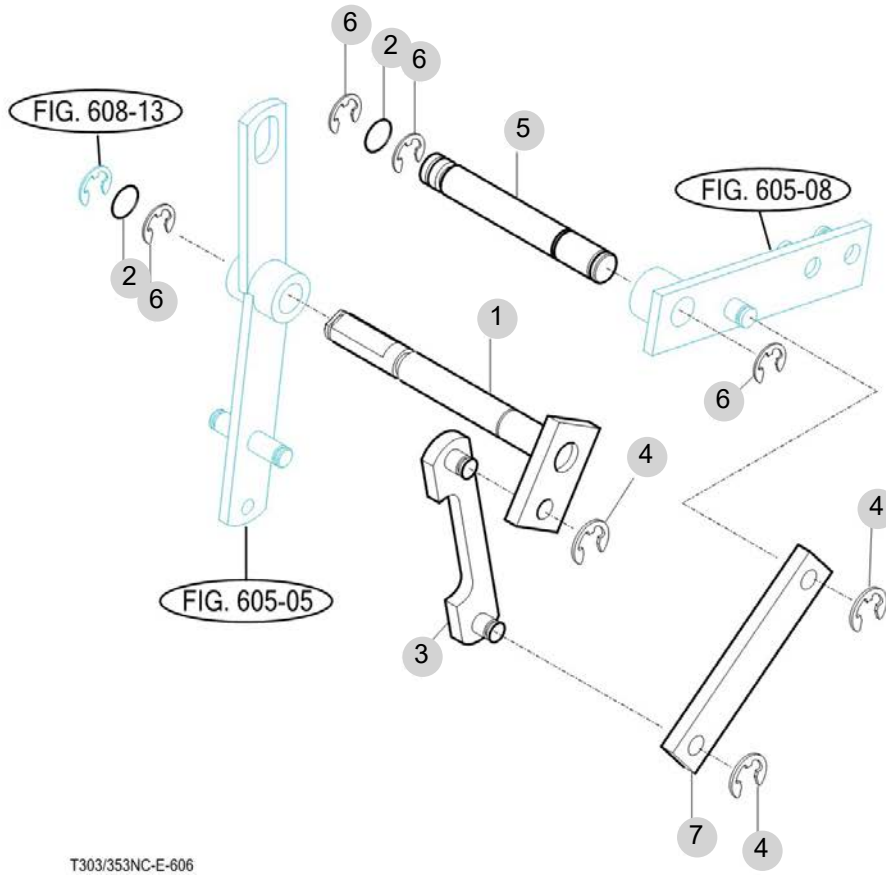
FIG 606

T475NCEU

POSITION LINK (2)

년/월
Year/Month

2022-12



T303/353NC-E-606

NOTE

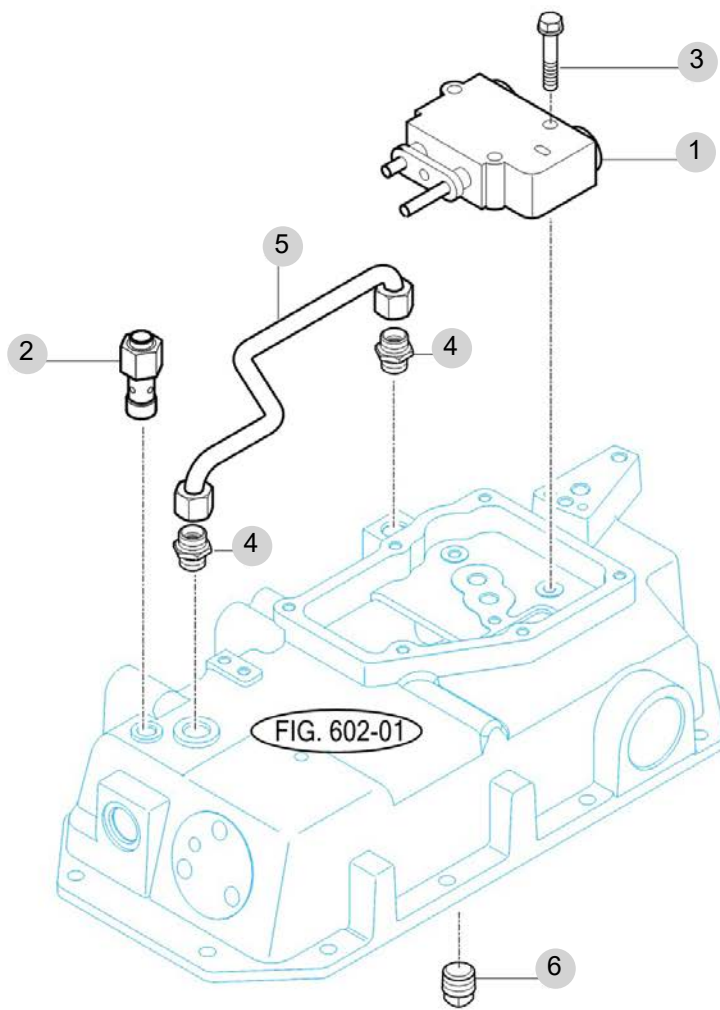
FIG 607

T475NCEU

CONTROL VALVE

년/월
Year/Month

2022-12



T303/353NC-E-607

NOTE

FIG 607		CONTROL VALVE						년/월 Year/Month
T475NCEU								2022-12
KEY NO	PART NO	DESCRIPTION	SPEC	QTY	REPAIR	EFFECTIVE DATE	REMARKS	
607	1	17995050100	메인 컨트롤 밸브					
607	1	17995050101	밸브, /메인 컨트롤					
607	2	16700070000	릴리프밸브ASSY					
607	3	V2173608045	소형육각볼트보통(S)	M8X45				
607	4	16705060060	유니온					
607	5	16705062400	파이프(실린더) COMP					
607	6	V7811600006	플러그(사각테이퍼)	R3/8				
NOTE								

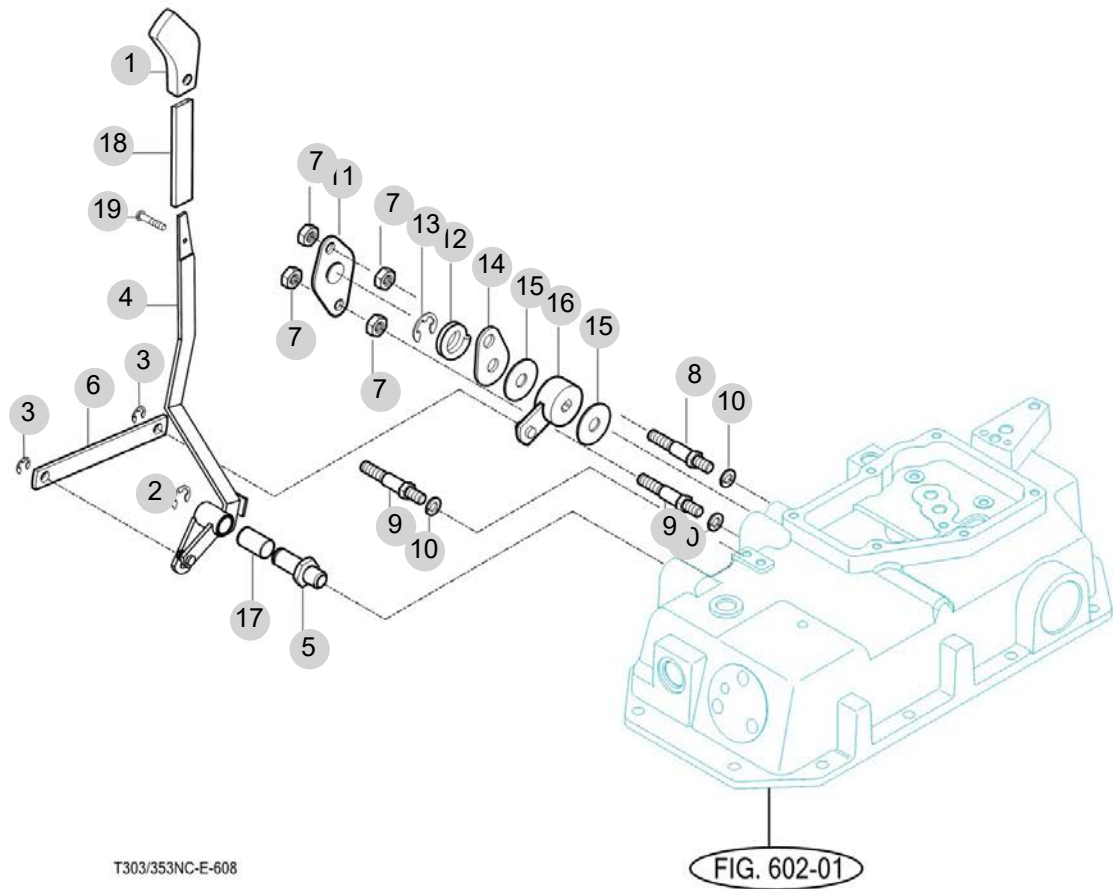
FIG 608

T475NCEU

POSITION LEVER

년/월
Year/Month

2022-12



T303/353NC-E-608

FIG. 602-01

NOTE

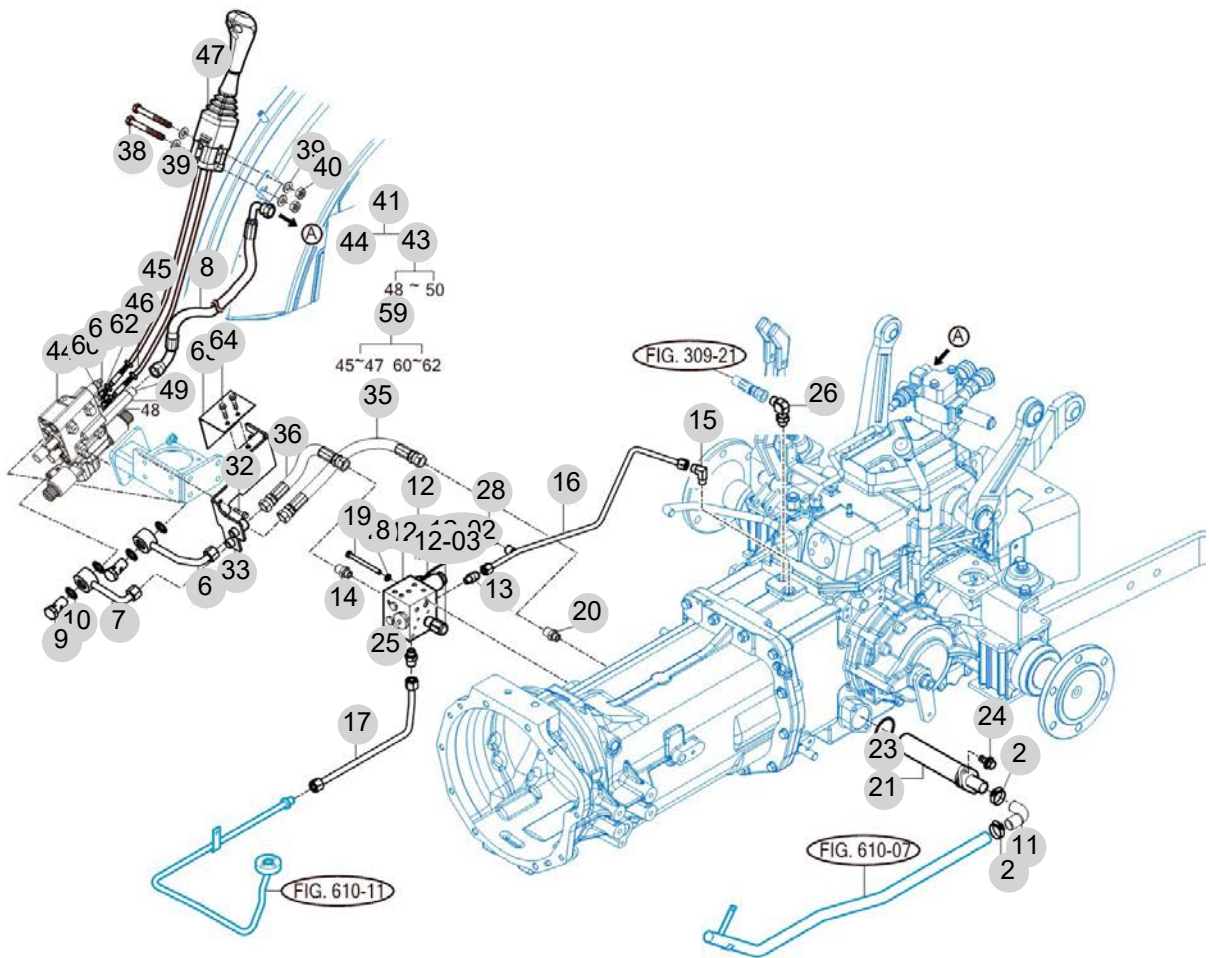
FIG 609

HYDRAULIC PIPE (1)

년/월
Year/Month

T475NCEU

2022-12



NOTE

FIG 609		HYDRAULIC PIPE (1)					년/월 Year/Month	
							2022-12	
T475NCEU								
KEY NO	PART NO	DESCRIPTION	SPEC	QTY	REPAIR	EFFECTIVE DATE	REMARKS	
609	2	18027090400	밴드 클램프 40 흡식		2			
609	6	13835412101GB	로더 파이프 COMP , P		1			
609	6	13835412102GB	로더 파이프 COMP , P		1			
609	7	13835412201GB	로더 파이프 COMP , T		1			
609	7	13835412202GB	로더 파이프 COMP , T		1			
609	8	13835152330	유압호스(1400)ASSY		1			
609	9	13875410082	아이 조인트 볼트 (PF1/2)		2			
609	10	19557753010	본디드 씰 , PF1/2		4			
609	11	17405100011	엘보 호스		1			
609	12	14835182001	PTO밸브ASSY		1			
609	12-01	14725182101	PTO 밸브		1			
609	12-02	15640090001	릴리프밸브 ASSY		1			
609	12-03	14725182210	솔레노이드 코일		1			
609	13	14444080062	콘넥터		1			
609	14	17407362300	엘보(PF3/8,PF1/2)		1			
609	15	16705100100	엘보(PF3/8XM16)		1			
609	16	16705104201	파이프(PTO)COMP		1			
609	17	14945104702	파이프(딜리버리/후) COMP		1			
609	18	V4011600080	스프링와셔	M8	3			
609	19	V2013608090	소형육각볼트(보통)	M8X90	3			
609	20	16995304000	유니온(오링)		1			
609	21	16705105000	흡입필터 ASSY		1			
609	23	V7211031045	O링(G)	G45	1			
609	24	V2183610025	소형육각볼트보통(SP)	M10X25	2			
609	25	16995304000	유니온(오링)		1			
609	26	14944050100	엘보(PF3/8XM16,45)		1			
609	28	13267060022	드레인플러그		1			
609	32	V2173608016	소형육각볼트보통(S)	M8X16	2			
609	33	13835413101GB	로더 브래킷 COMP		1			
609	33	13815256100GB	로더 브래킷 COMP		1			
609	35	12924070010	유압호스(550)ASSY		1			
609	36	17974072500	유압호스(510)ASSY		1			
609	36	13825152200	유압호스(570)ASSY		1			
609	38	V2173608085	소형육각볼트보통(S)	M8X85	2			
609	39	V4111600080	평와셔	M8	4			
609	40	V3042600080	소형육각너트보통2종	M8	2			
609	41	13807753001	로더밸브 SUB		1			
609	41	13805252000	로더밸브 SUB		1			
609	42	13807752003	로더밸브 조이스틱 ASSY		1			
609	43	13835163000	라인필터 ASSY		1			
609	44	13877752100	로더밸브 ASSY		1			
609	45	13807752400	조이스틱 케이블 ASSY(770)		1			
609	45	13805252210	조이스틱 케이블 ASSY(760)		1			
609	46	13827752300	조이스틱 케이블 ASSY(790)		1			
609	46	13805252220	조이스틱 케이블 ASSY(810)		1			
NOTE								

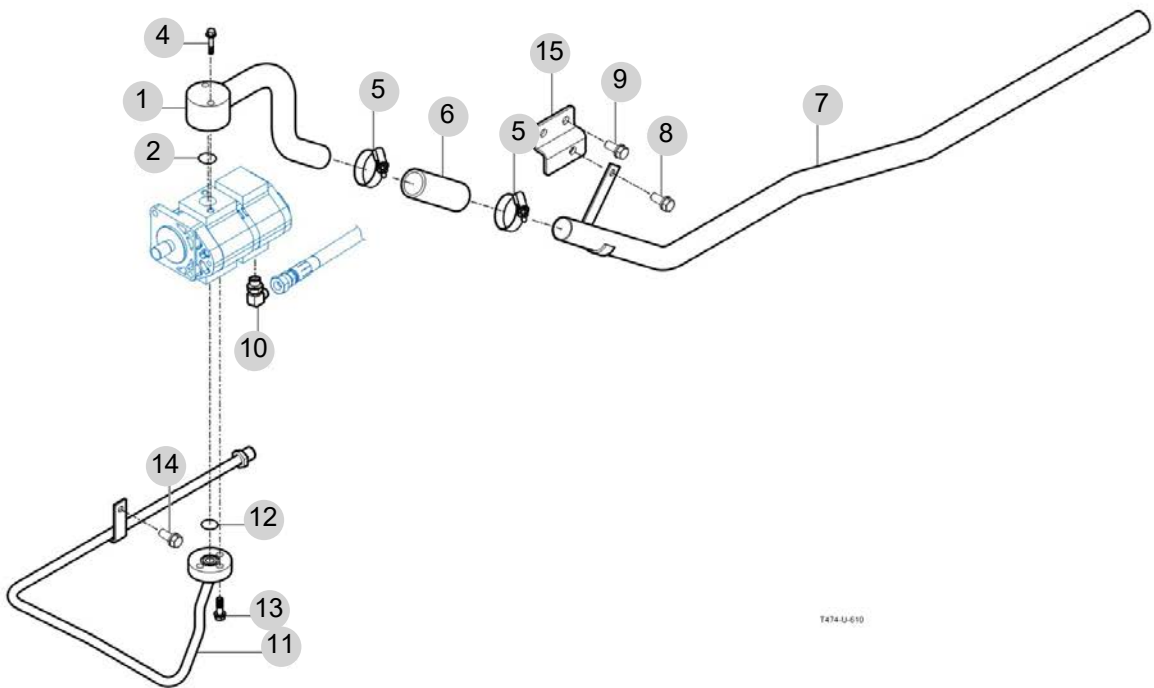
FIG 610

T475NCEU

HYDRAULIC PIPE (2)

년/월
Year/Month

2022-12



T474-U-610

NOTE

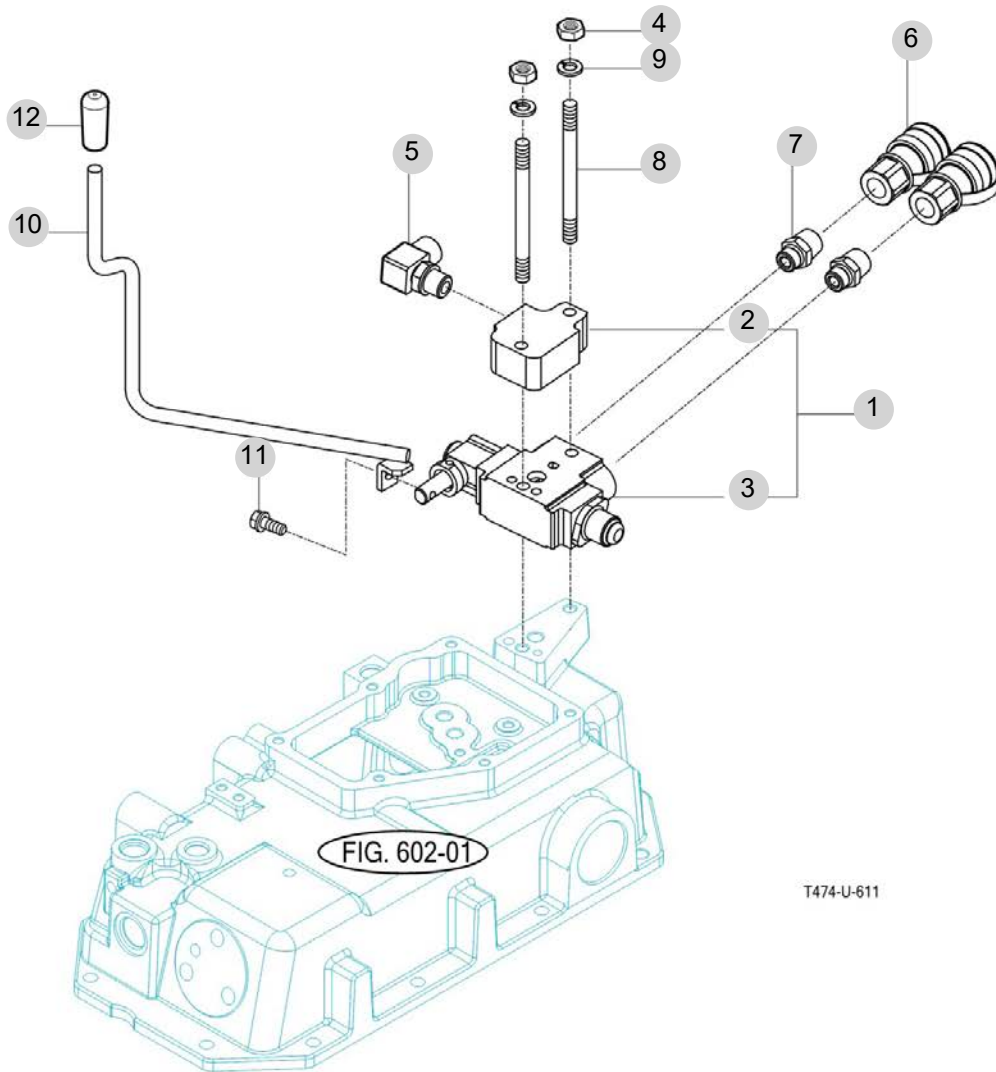
FIG 611

T475NCEU

EXTERIOR HYD. VALVE

년/월
Year/Month

2022-12



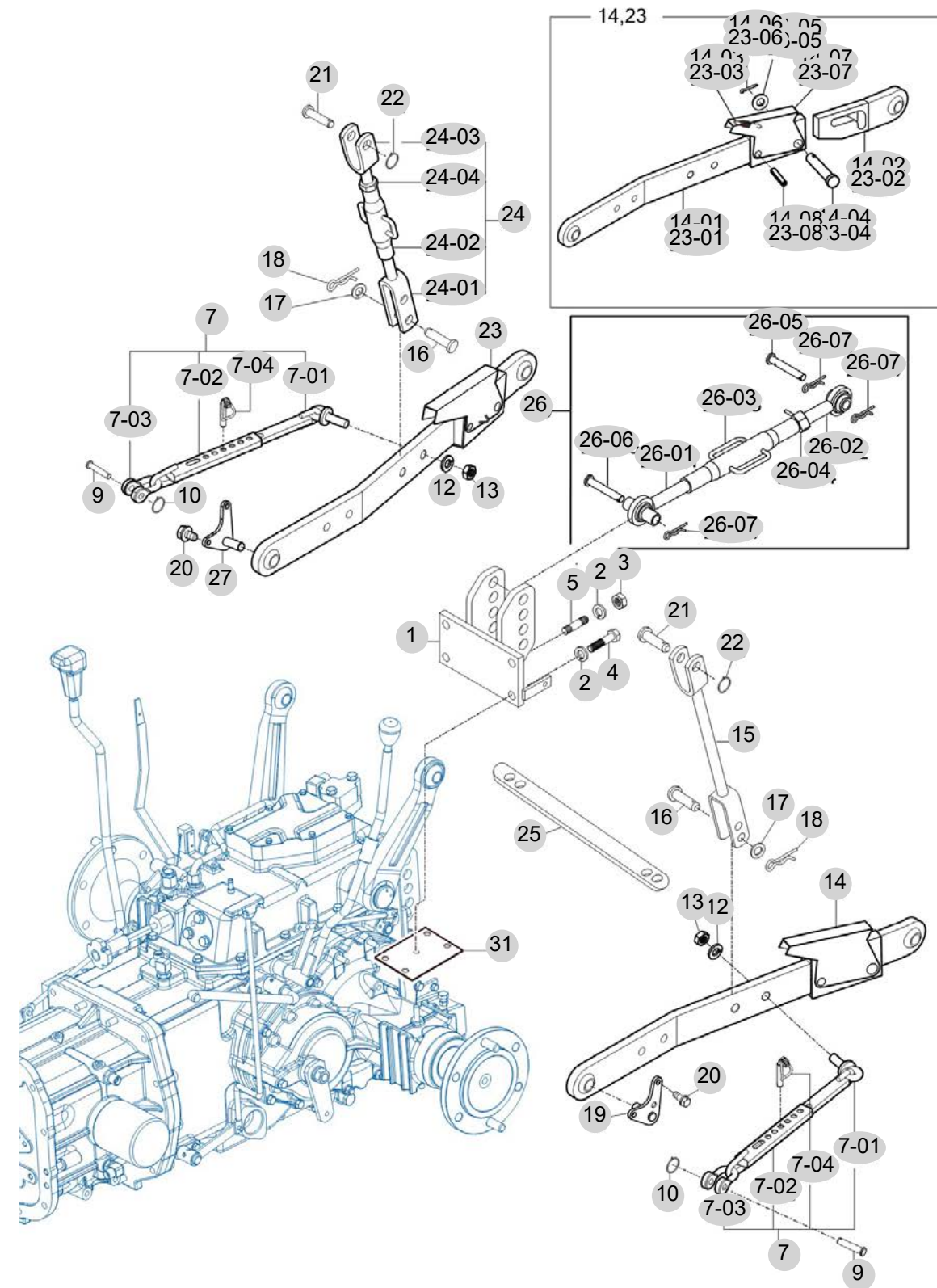
NOTE

FIG 612

3-POINT LINK

년/월
Year/Month

2022-12



NOTE

FIG 612		3-POINT LINK					년/월 Year/Month		
							2022-12		
T475NCEU		KEY NO	PART NO	DESCRIPTION	SPEC	QTY	REPAIR	EFFECTIVE DATE	REMARKS
612	1	16703172002GB	톱링크 브래킷 COMP			1			
612	2	V4011600140	스프링와셔	M14		4			
612	3	V3043600140	소형육각너트보통2종	M14		2			
612	4	V2014614035	소형육각볼트(보통)			2			
612	5	V2514414030	스터드볼트2종	M14X30		2			
612	7	10525142500	체인(체크) 조합			2			
612	7-01	10525142520	체크바 조합			2			
612	7-02	10525142510	체크소켓조합			2			
612	7-03	16705142520	체크체인 샤클			2			
612	7-04	17705254200	린치핀	M14		2			
612	9	79636110030	핀(12X48)			2			
612	10	16735240060	스프링(45)			2			
612	12	V4011600160	스프링와셔	M16		2			
612	13	V3013600160	육각너트보통2종	M16		2			
612	14	10525262300GB	로어링크ASSY(LH)			1			
612	14	10525262301GB	하부 링크 ASSY , LH			1			
612	14-01	10525262310	하부링크 SUB , LH/FR			1			
612	14-02	10525262320	하부링크 SUB , LH/RR			1			
612	14-03	15155262330	인장 스프링			1			
612	14-04	15155262340	핀 ,22X56			1			
612	14-05	V4111600220	평와셔	M22		1			
612	14-06	V5001940035	분할핀	4X35		1			
612	14-07	15155262350	손잡이			1			
612	14-08	15155262360	스프링핀			1			
612	15	10525243000GB	리프트로드(LH) COMP			1			
612	16	15605260014	핀(16X51)			2			
612	17	V4111600160	평와셔	M16		2			
612	18	V5601600160	스냅핀			2			
612	19	12385142200	핀(LH) COMP			2			
612	20	V2173612030	소형육각볼트보통(S)	M12X30		4			
612	21	16735243500	핀			2			
612	22	16735240060	스프링(45)			2			
612	23	10525262200GB	로어링크ASSY(RH)			1			
612	23	10525262201GB	하부 링크 ASSY , RH			1			
612	23-01	10525262210	하부링크 SUB , RH/FR			1			
612	23-02	10525262220	하부링크 SUB , RH/RR			1			
612	23-03	15155262330	인장 스프링			1			
612	23-04	15155262340	핀 ,22X56			1			
612	23-05	V4111600220	평와셔	M22		1			
612	23-06	V5001940035	분할핀	4X35		1			
612	23-07	15155262350	손잡이			1			
612	23-08	15155262360	스프링핀			1			
612	24	10525244000GB	리프트로드(RH)ASSY			1			
612	24-01	10525145200	포크(하)COMP			1			
612	24-02	16705145100	슬리브 COMP			1			
NOTE									

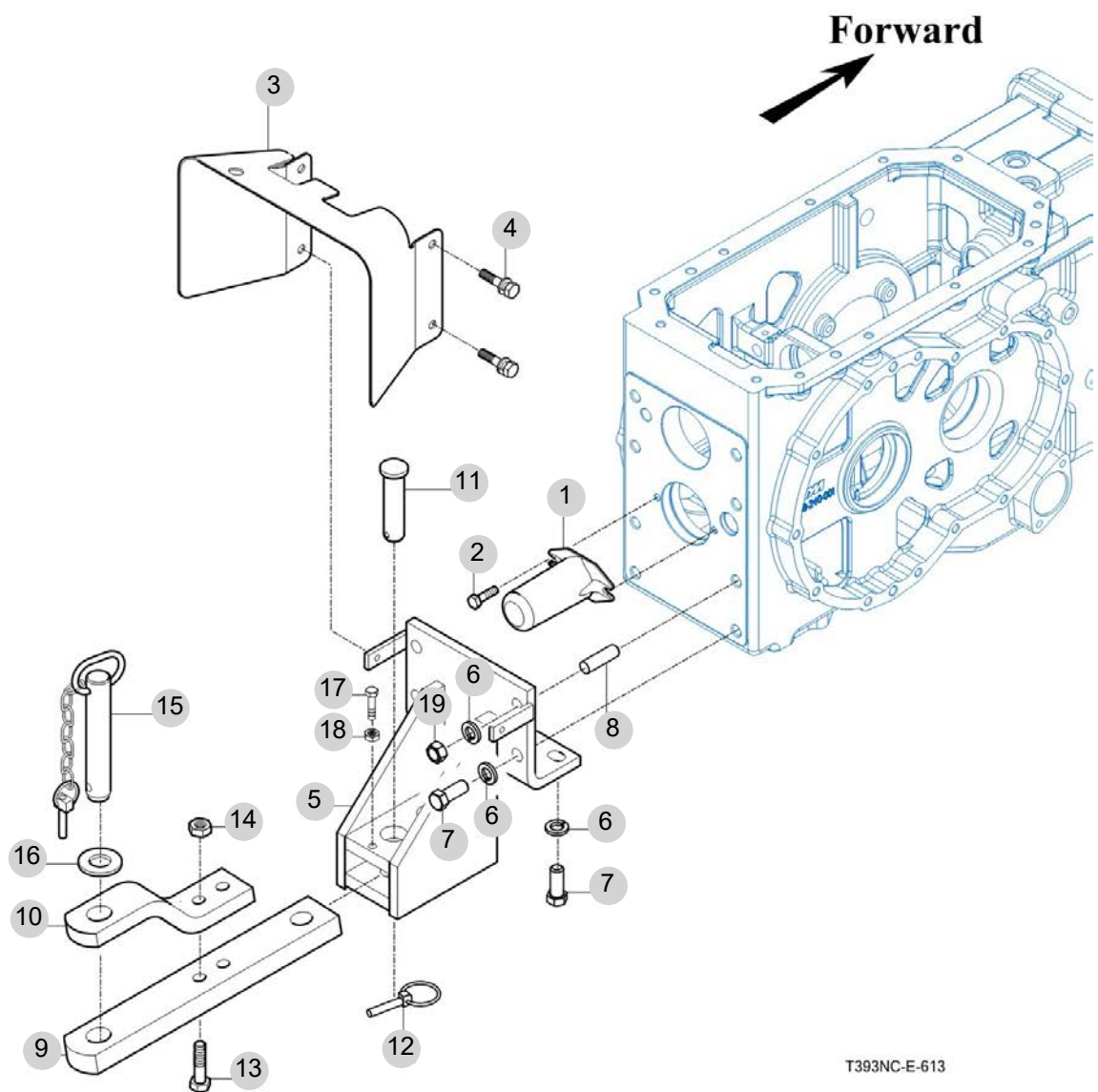
FIG 613

HITCH & COVER

년/월
Year/Month

2022-12

T475NCEU



T393NC-E-613

NOTE

FIG 613 T475NCEU	HITCH & COVER	년/월 Year/Month 2022-12
--------------------------------	--------------------------	----------------------------------

KEY NO	PART NO	DESCRIPTION	SPEC	QTY	REPAIR	EFFECTIVE DATE	REMARKS
613	1	14443140091	PTO축 캡	1			
613	2	V2183608016	소형육각볼트보통(SP)	2			
613	3	13605200012GB	커버(씰드)	1			
613	4	V2173608016	소형육각볼트보통(S)	4			
613	5	16703172201GB	드로바 브래킷 COMP	1			
613	6	V4011600140	스프링와셔	6			
613	7	V2013614035	소형육각볼트(보통)	4			
613	8	V2514414030	스터드볼트2종	2			
613	9	13602470010GB	드로바	1			
613	10	13602470020GB	히치링크	1			
613	11	15062470050	드로바핀	1			
613	12	14215020020	링크핀	1			
613	13	V2003616070	육각볼트(보통)	2			
613	14	15189240160	나일론너트(M16)	2			
613	15	S0973063031	핀ASSY	1			
613	16	15252470010	쿠션고무	1			
613	17	V2013610030	소형육각볼트(보통)	1			
613	18	V3043600100	소형육각너트보통2종	1			
613	19	V3043600140	소형육각너트보통2종	2			
NOTE							

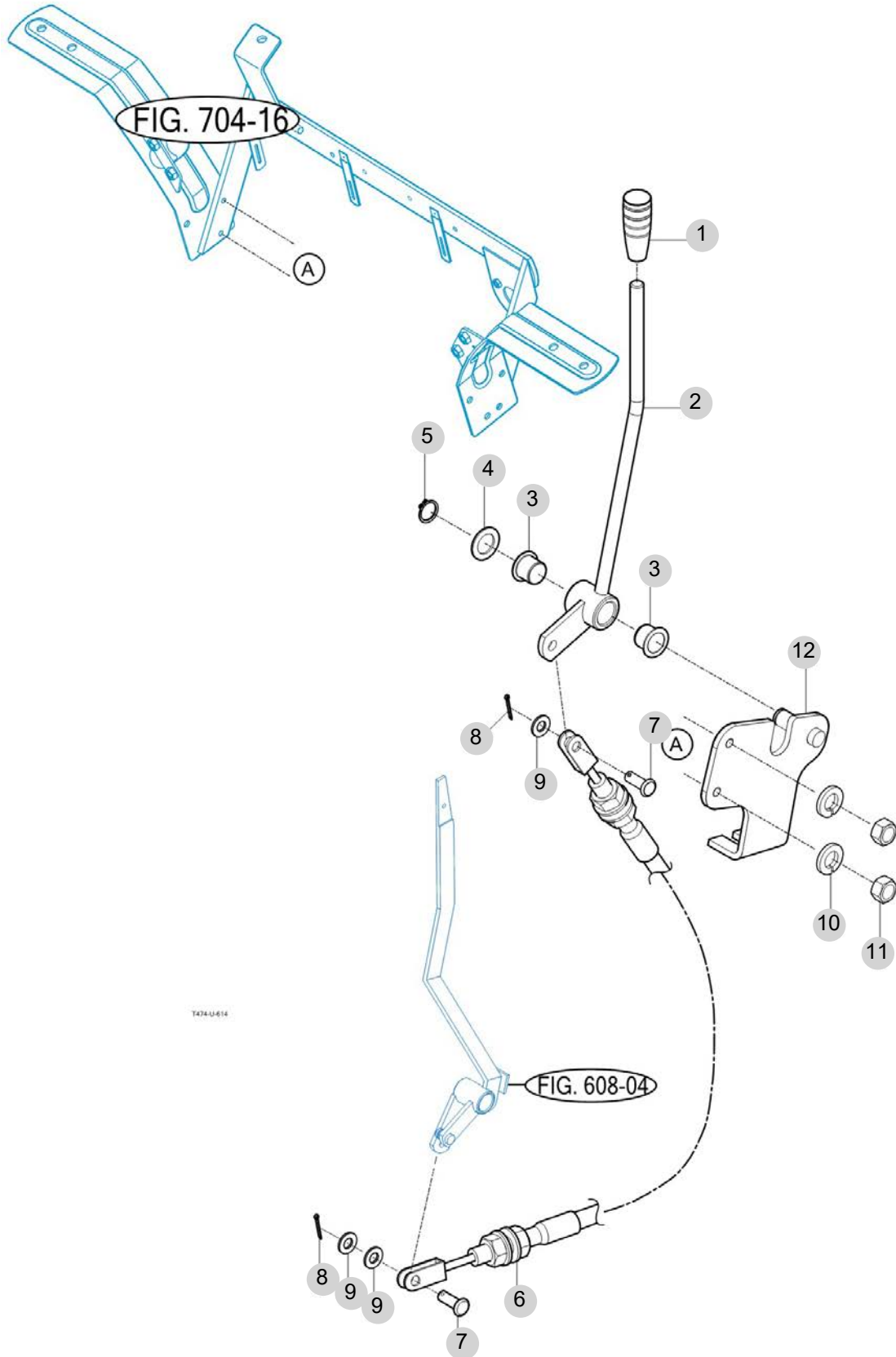
FIG 614

EXTERIOR POSITION LEVER

년/월
Year/Month

2022-12

T475NCEU



NOTE

7. 시트메탈/캐빈 PART NO. T7

FIG 701 HOOD FRAME	210
FIG 702 HOOD	213
FIG 703 EXTENSION COVER	216
FIG 704 FENDER & REAR FRAME	218
FIG 705 DASH PANEL	221
FIG 706 FLOOR PANEL	223
FIG 707 SEAT	225
FIG 708 FRONT & REAR MOUNTING	227
FIG 709 ROPS	229

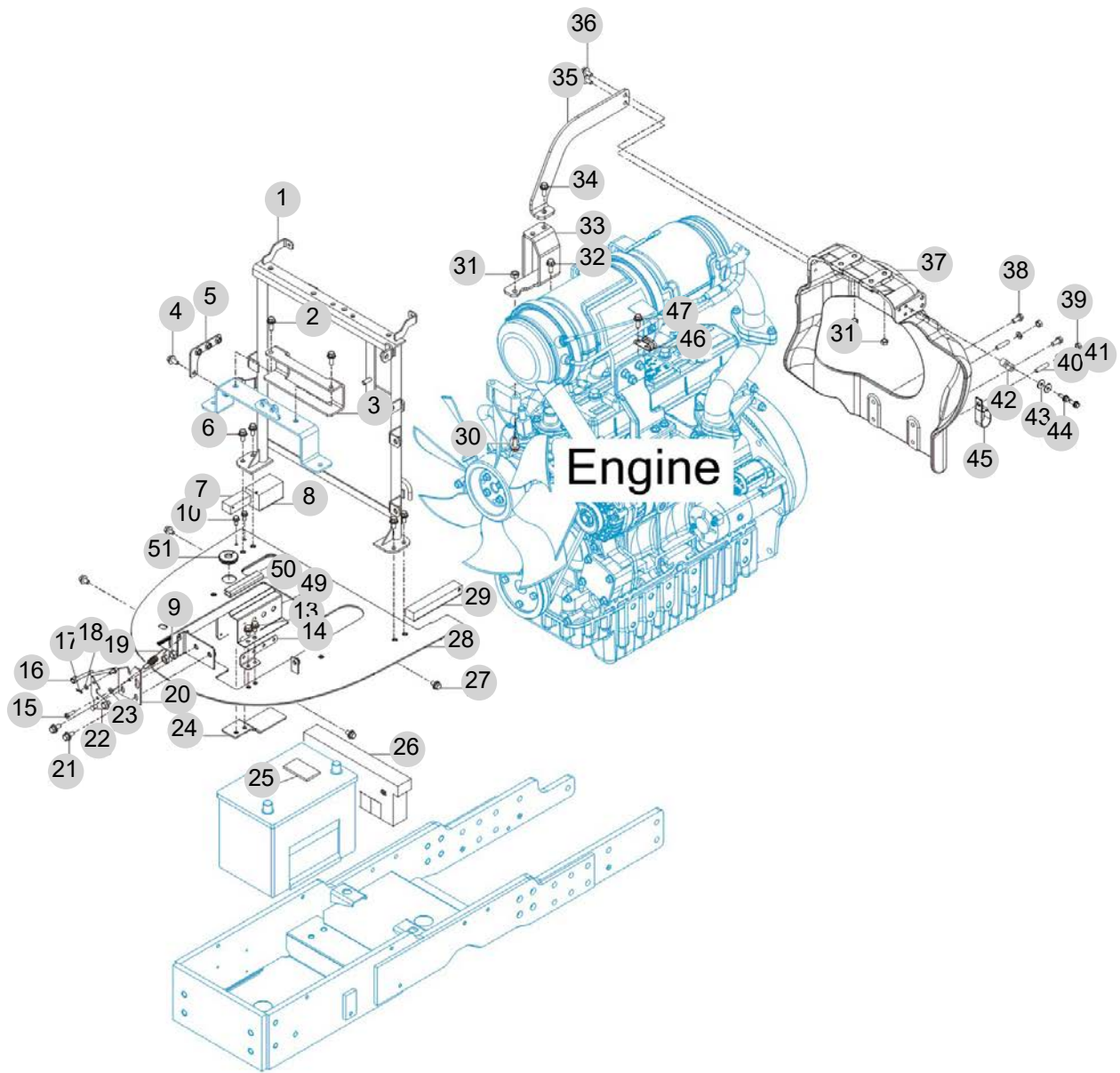
FIG 701

T475NCEU

HOOD FRAME

년/월
Year/Month

2022-12



NOTE

FIG 701		HOOD FRAME					년/월 Year/Month		
							2022-12		
T475NCEU		KEY NO	PART NO	DESCRIPTION	SPEC	QTY	REPAIR	EFFECTIVE DATE	REMARKS
701	1	13831031100GB	프레임 COMP , 프런트			1			
701	2	V2183608020	소형육각볼트보통(SP)	M8X20		2			
701	3	13831811400GB	브래킷, 배터리 고정			1			
701	4	V2183608020	소형육각볼트보통(SP)	M8X20		1			
701	5	13831613200GB	브래킷 COMP , 릴레이			1			
701	6	V2183608020	소형육각볼트보통(SP)	M8X20		4			
701	7	13831030700	인슐레이터 , B			1			
701	8	13831030800	인슐레이터 , C			1			
701	9	V3013600060	육각너트보통2종	M6		2			
701	10	V2123606016	육각볼트(SP)	M6X16		2			
701	13	V2183606016	소형육각볼트보통(SP)	M6X16		2			
701	14	13831613400GB	브래킷, 퓨즈			1			
701	15	V2323606020	심자홍육각볼트(SP)			1			
701	16	10986024300	로드 COMP, OPEN			1			
701	17	V5001925020	핀			1			
701	18	V4111600060	평와셔	M6		1			
701	19	14143120020	텐션스프링 (53)			1			
701	19	11106020010	인장스프링(40)			1			
701	20	11106024210	후드스테이(B)			1			
701	21	V2183608020	소형육각볼트보통(SP)	M8X20		2			
701	22	11106024100	스테이(후드 A) COMP			1			
701	23	V4111600060	평와셔	M6		1			
701	24	13831052200GB	브래킷 COMP , 커버			1			
701	25	13151112011	인슐레이터(40X70)			1			
701	26	13831030500	인슐레이터 , 그릴플레이트			1			
701	27	V2183608016	소형육각볼트보통(SP)	M8X16		4			
701	28	10981052100GB	플레이트 COMP , 그릴			1			
701	29	13831030600	인슐레이터 , A			1			
701	30	V2173610055	소형육각볼트보통(S)	M10X55		1			
701	31	V3042600100	소형육각너트보통2종	M10		3			
701	32	V2183610025	소형육각볼트보통(SP)	M10X25		1			
701	33	13801712100GB	스탠드 COMP			1			
701	34	V2183608025	소형육각볼트보통(SP)	M8X25		1			
701	35	13831811200GB	지지대			1			
701	36	V2183608020	소형육각볼트보통(SP)	M8X20		2			
701	37	13831811100GB	엔진 리어 서포트			1			
701	38	V2173608025	소형육각볼트보통(S)	M8X25		2			
701	39	V3042600080	소형육각너트보통2종	M8		2			
701	40	V2513408025	스터드볼트2종			2			
701	41	V4011600080	스프링와셔	M8		2			
701	42	13831811300	스페이서			2			
701	43	V4111600060	평와셔	M6		2			
701	44	V2113606040	육각볼트(S)	M6X40		2			
701	45	14441010161	라디에이터호스클램프			1			
701	46	14256210040	하니스클램프(9)			1			
NOTE									

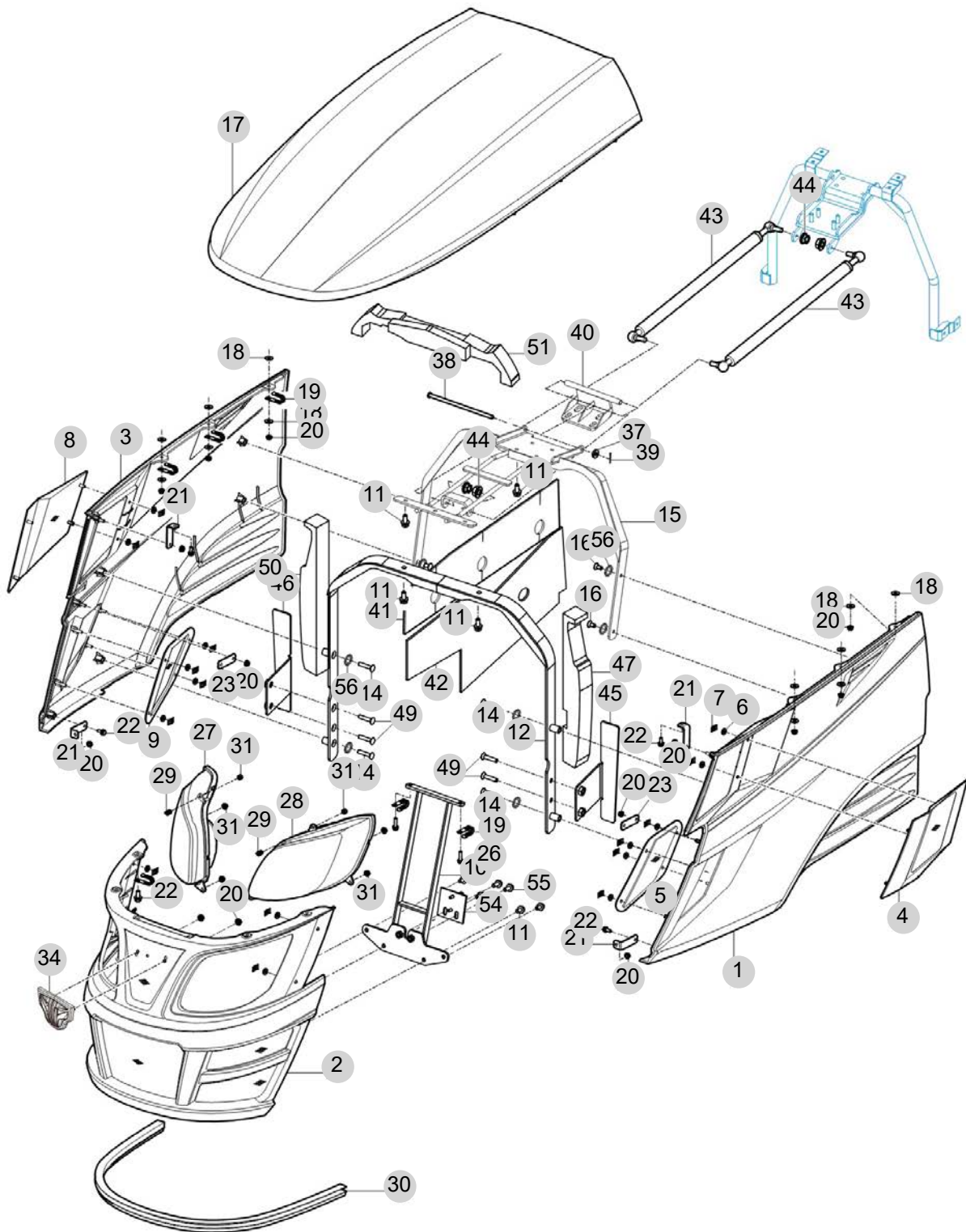
FIG 702

T475NCEU

HOOD

년/월
Year/Month

2022-12



NOTE

FIG 702		HOOD					년/월 Year/Month		
							2022-12		
T475NCEU		KEY NO	PART NO	DESCRIPTION	SPEC	QTY	REPAIR	EFFECTIVE DATE	REMARKS
702	1	17406203301SR	사이드 커버 COMP ,좌			1			
702	1	17406203302SR	사이드 커버 COMP ,좌			1			
702	1	17406203303SR	사이드 커버 COMP ,좌			1			
702	2	17406203200GB	그릴 COMP			1			
702	3	17406203401SR	사이드 커버 COMP ,우			1			
702	3	17406203402SR	사이드 커버 COMP ,우			1			
702	3	17406203403SR	사이드 커버 COMP ,우			1			
702	4	17406203500GB	네트 ,상/좌			1			
702	5	17406203600GB	네트 ,하/좌			1			
702	6	14446010150	네트와샤(6X14X3)			22			
702	7	V3501600060	스프링 너트			22			
702	8	17406203700GB	네트 ,상/우			1			
702	9	17406203800GB	네트 ,하/우			1			
702	10	18366202500GB	핀 COMP ,후드락			1			
702	11	V2183608020	소형육각볼트보통(SP)	M8X20		13			
702	12	13836202300GB	프레임 COMP ,전			1			
702	14	V1122608040	십자홈접시작은나사			4			
702	15	17406202700GB	후드 프레임 COMP ,후			1			
702	15	11866202700GB	후드 프레임 COMP ,후			1			
702	15	13836202701GB	후드 프레임 COMP ,후			1			
702	16	V1122608016	십자홈접시작은나사			4			
702	17	17406203101SR	후드 COMP			1			
702	17	17406203102SR	후드 COMP			1			
702	17	17406203103SR	후드 COMP			1			
702	18	35605033020	와이어인출용와셔			12			
702	19	37371720090	메인하니스 클램프(하)			6			
702	19	13764020030	케이블타이(140)			6			
702	19	36571720090	메인 하니스 클램프			6			
702	20	V3802600060	플랜지붙이육각너트			16			
702	21	17406203010GB	플레이트 ,상/사이드			4			
702	21	17406203011GB	플레이트 ,상/사이드			4			
702	21	17406203010GB	플레이트 ,상/사이드			4			
702	22	V2123606016	육각볼트(SP)	M6X16		8			
702	23	17406203020GB	플레이트 ,중/사이드			2			
702	26	V2123606025	육각볼트(SP)	M6X25		2			
702	27	17406525001	헤드램프 ASSY ,우			1			
702	28	17406524001	헤드램프 ASSY ,좌			1			
702	29	36108010080	종자출구스프링(HC016)			2			
702	30	17406203900	인슐레이터 ,후드			1			
702	31	19027210060	나일론너트(M6)			6			
702	34	19959010010	엠블럼			1			
702	34	19959010011	엠블럼			1			
702	34	17406212000	엠블럼 ASSY ,V5			1			
702	35	V4111600060	평와셔	M6		2			
702	37	V4111600080	평와셔	M8		1			
NOTE									

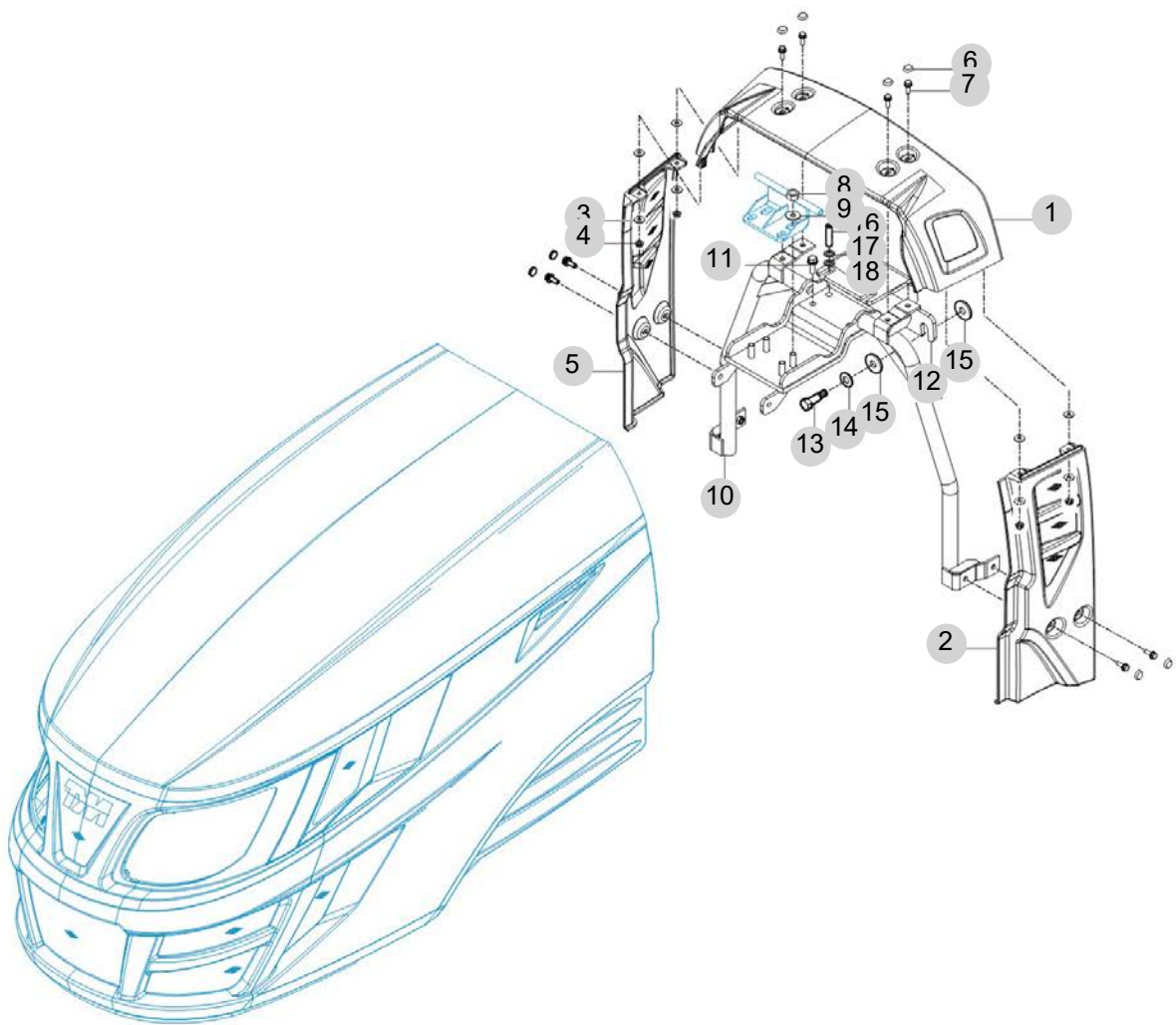
FIG 703

T475NCEU

EXTENSION COVER

년/월
Year/Month

2022-12



NOTE

FIG 703 T475NCEU	EXTENSION COVER						년/월 Year/Month
							2022-12

KEY NO	PART NO	DESCRIPTION	SPEC	QTY	REPAIR	EFFECTIVE DATE	REMARKS
703	1	13836204100SR	연장 커버 COMP, 상/후드	1			
703	2	13836204310SR	연장 커버, 좌/후드	1			
703	3	35605033020	와이어인출용와셔	6			
703	4	V3802600060	플랜지볼이육각너트	4			
703	5	13836204410SR	연장 커버, 우/후드	1			
703	6	13836204510SR	캡, 볼트/M6	8			
703	7	V2193606025	육각볼트(SPL)	8			
703	8	V3042600100	소형육각너트보통2종	4			
703	9	V4011600100	스프링와셔	4			
703	10	13836022200GB	프레임 COMP, 중/후드	1			
703	11	V2183610035	소형육각볼트보통(SP)	2			
703	12	13836022100GB	브래킷 COMP, 고정/대시	1			
703	13	13016020010	고정볼트	2			
703	14	13377210020	와셔(11X24X3)	2			
703	15	13012060070	방진 고무(8.5X30X5)	4			
703	16	V2514410030	스터드볼트2종	2			
703	17	V4011600100	스프링와셔	2			
703	18	V4111600100	평와셔	2			
NOTE							

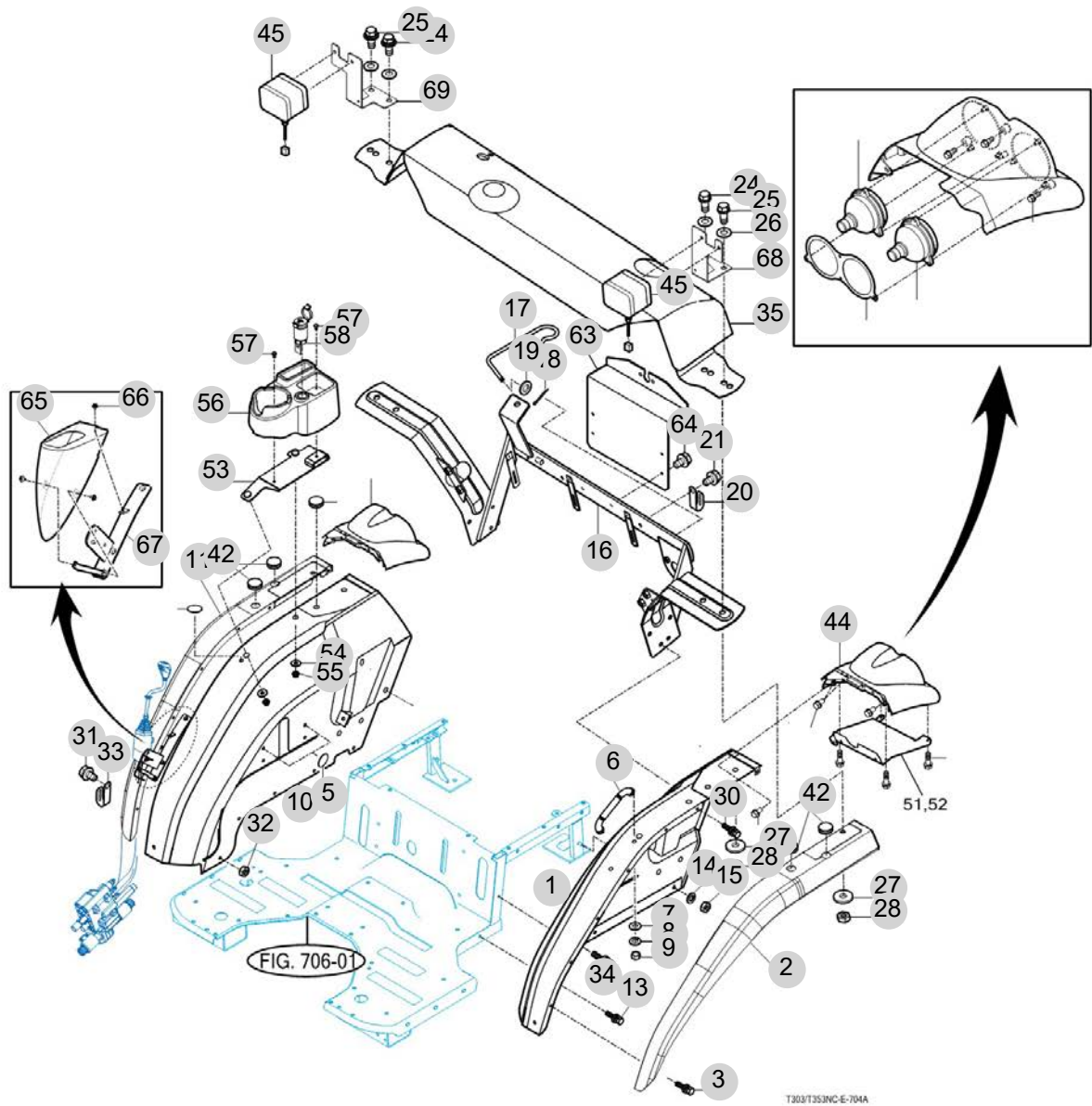
FIG 704

T475NCEU

FENDER & REAR FRAME

년/월
Year/Month

2022-12



NOTE

FIG 704		FENDER & REAR FRAME					년/월 Year/Month		
							2022-12		
T475NCEU		KEY NO	PART NO	DESCRIPTION	SPEC	QTY	REPAIR	EFFECTIVE DATE	REMARKS
704	1	14726063502SR	휀더(LH)COMP			1			
704	2	12656060041SR	훗받이 휀더 (LH)			1			
704	3	V2193606016	육각볼트(SPL)	M6X16		12			
704	4	V2123606012	육각볼트(SP)	M6X12		14			
704	5	16606070031	캡(9)			10			
704	6	14726071101	손잡이 COMP			1			
704	7	35602010150	결속축와셔			2			
704	8	V4011600080	스프링와셔	M8		2			
704	9	V3042600080	소형육각너트보통2종	M8		2			
704	10	14726063602SR	휀더(RH)COMP(PNT)			1			
704	11	10526060021SR	훗받이 휀더 (RH)			1			
704	12	13016060030	리어 램프 커버(우)			1			
704	13	V2183608020	소형육각볼트보통(SP)	M8X20		8			
704	14	V4011600080	스프링와셔	M8		4			
704	15	V3042600080	소형육각너트보통2종	M8		4			
704	16	16707035403SR	리어프레임(연료탱크)COMP			1			
704	17	14885251100	후크(톱링크)			1			
704	18	V5001920015	분할핀	2X15		1			
704	19	V4111600060	평와셔	M6		1			
704	20	14256210040	하니스클램프(9)			1			
704	21	V2123606012	육각볼트(SP)	M6X12		1			
704	24	V2173612040	소형육각볼트보통(S)			2			
704	25	V2173612035	소형육각볼트보통(S)			2			
704	26	V4111600120	평와셔			4			
704	27	36217020030	플리 와셔			4			
704	28	V3043600120	소형육각너트보통2종			4			
704	29	14326510210	고무캡(20)			2			
704	30	V2183608020	소형육각볼트보통(SP)	M8X20		2			
704	31	V2183608020	소형육각볼트보통(SP)	M8X20		1			
704	32	V3042600080	소형육각너트보통2종	M8		1			
704	33	14256210040	하니스클램프(9)			1			
704	34	V2183608035	소형육각볼트보통(SP)	M8X35		2			
704	35	14777036302SR	커버 COMP (연료탱크)			1			
704	35	14777036303SR	커버 COMP , 연료탱크			1			
704	38	V2193606020	육각볼트(SPL)			12			
704	39	13016061300	리어램프 고정플레이트			2			
704	40	13367023400	스톱램프 ASSY			2			
704	41	14527023300	방향지시등(REAR)ASSY			2			
704	42	16606510210	고무캡(30)			4			
704	44	13016060020	리어램프커버(좌)			1			
704	45	14886562000	차폭등 ASSY			2			
704	51	13016062000GB	리어램프 커버플레이트 COMP(좌)			1			
704	52	13016063000GB	리어 램프 커버 플레이트 COMP(우)			1			
704	53	11336640100SR	브래킷 COMP , 컵홀더			1			
704	53	11336640101SR	브래킷 COMP , 컵홀더			1			
NOTE									

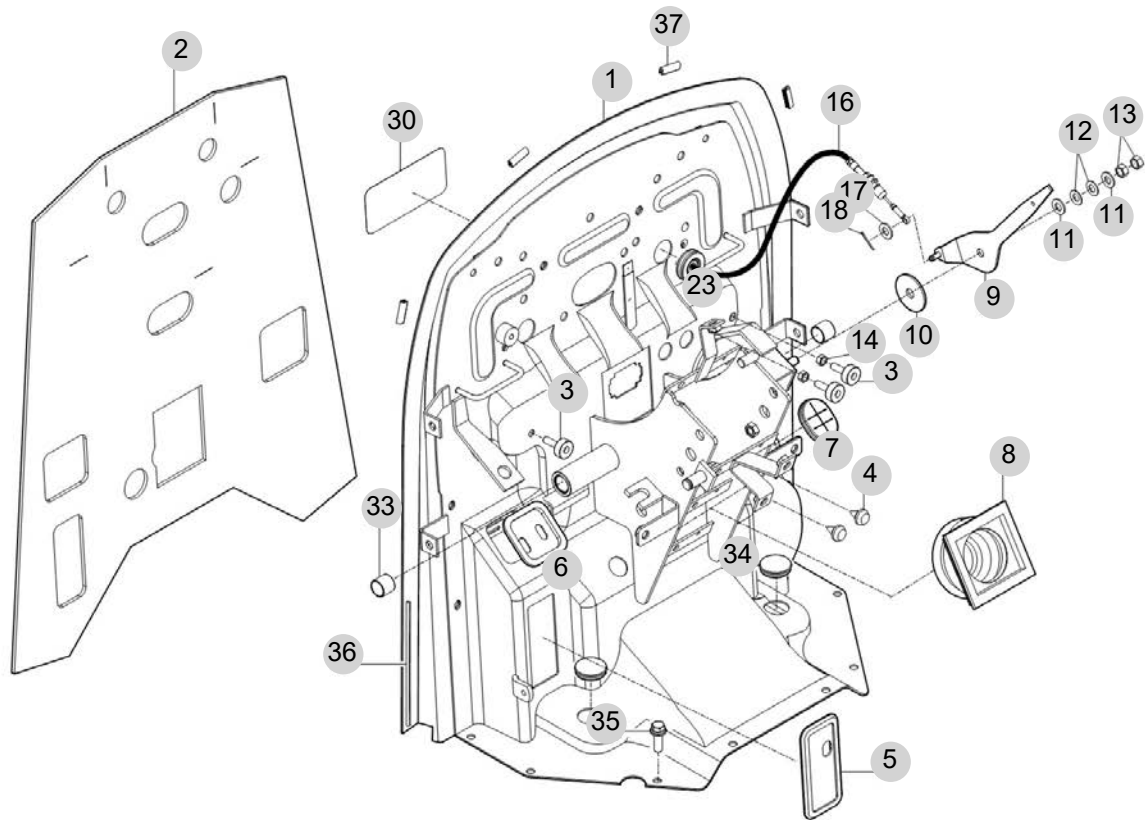
FIG 705

T475NCEU

DASHBOARD

년/월
Year/Month

2022-12



NOTE

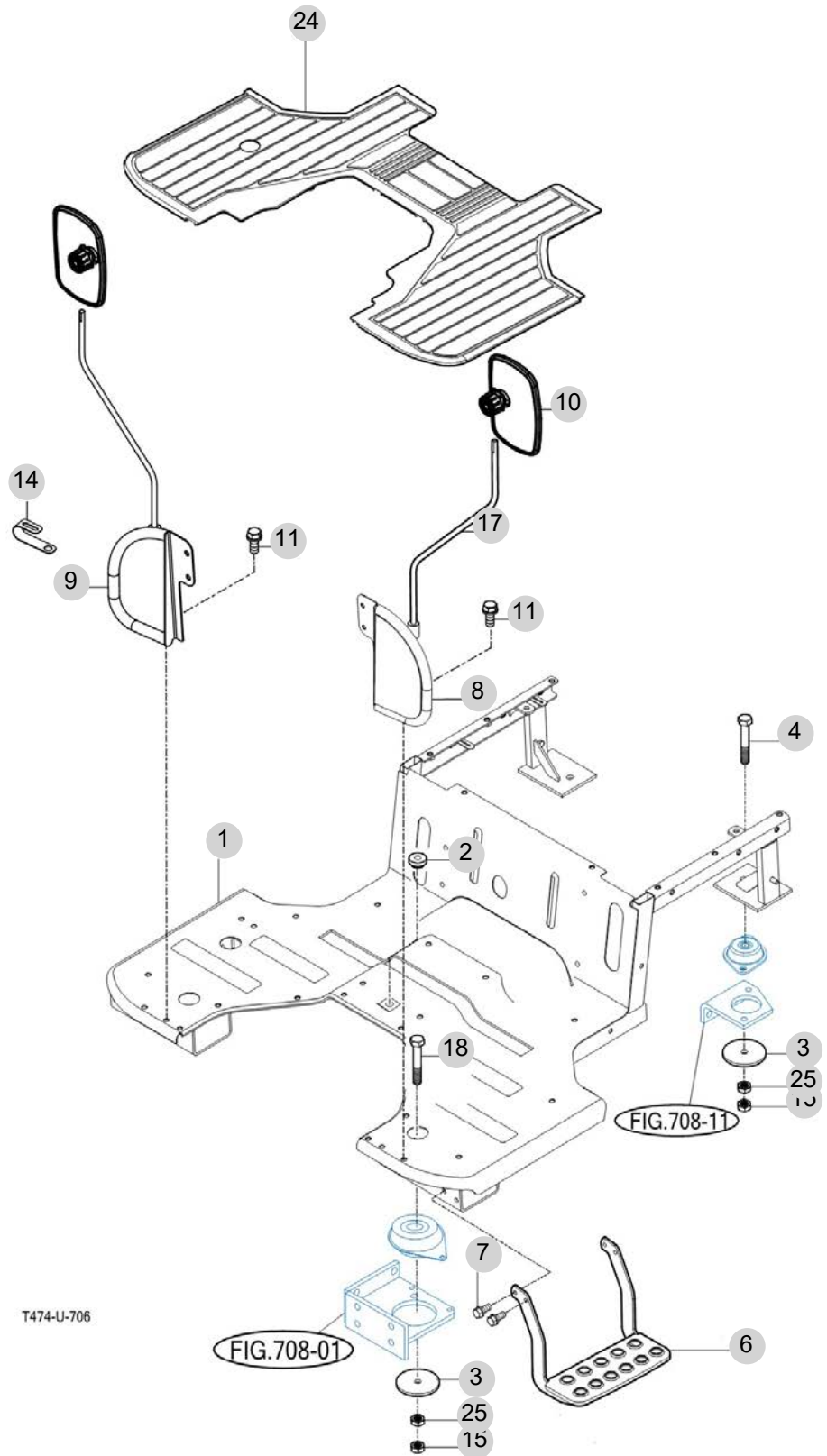
FIG 706

T475NCEU

FLOOR PANEL

년/월
Year/Month

2022-12



NOTE

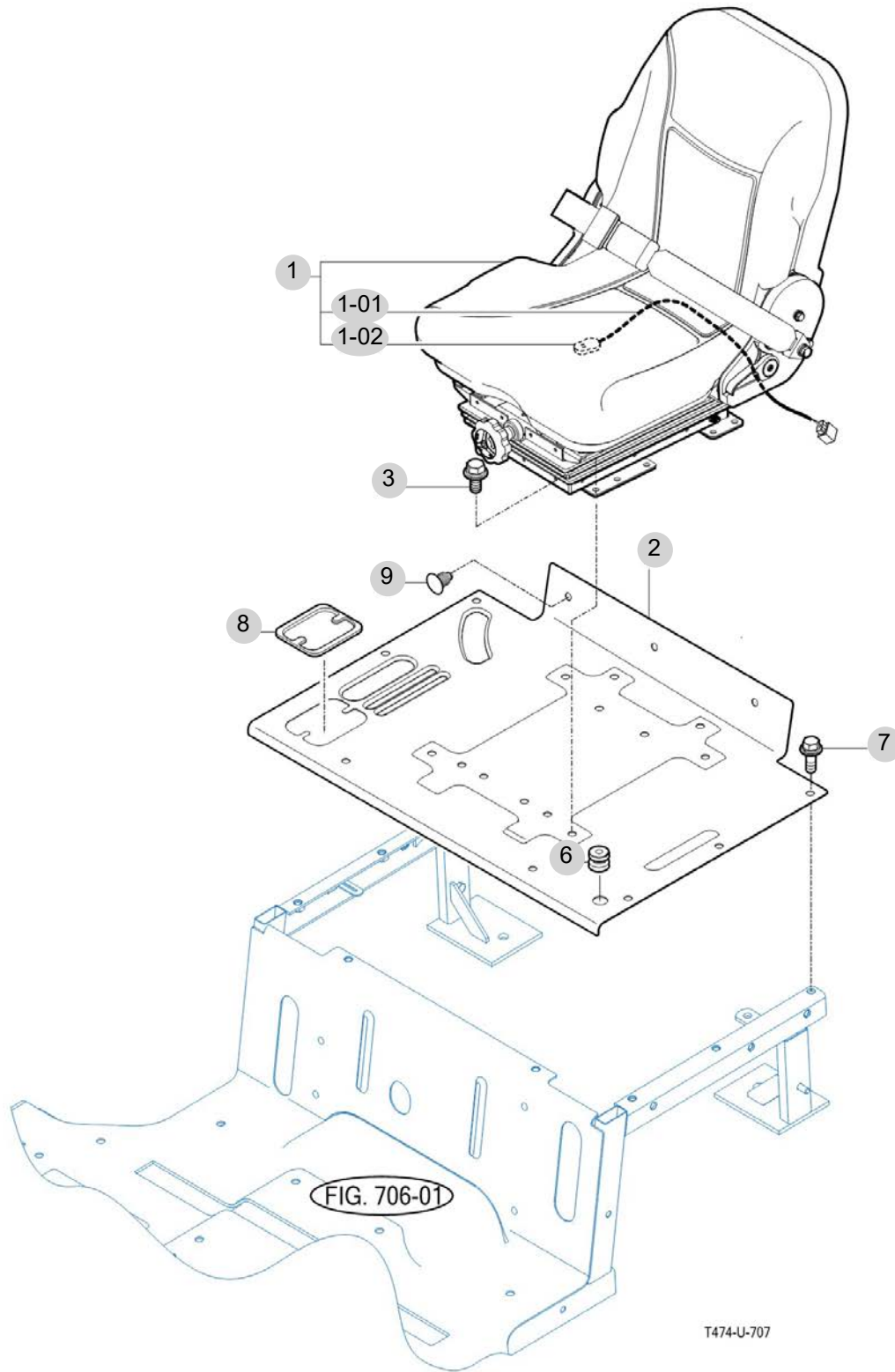
FIG 707

T475NCEU

SEAT

년/월
Year/Month

2022-12



NOTE

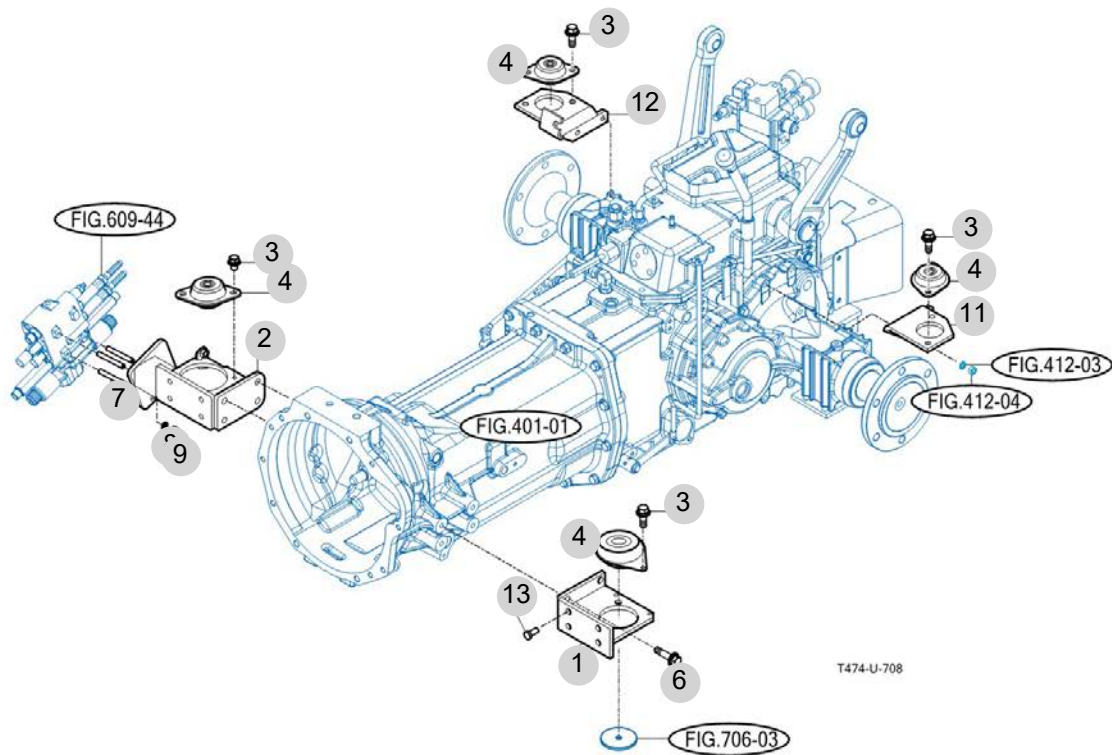
FIG 708

T475NCEU

FRONT & REAR MOUNTING

년/월
Year/Month

2022-12



T474-U-708

NOTE

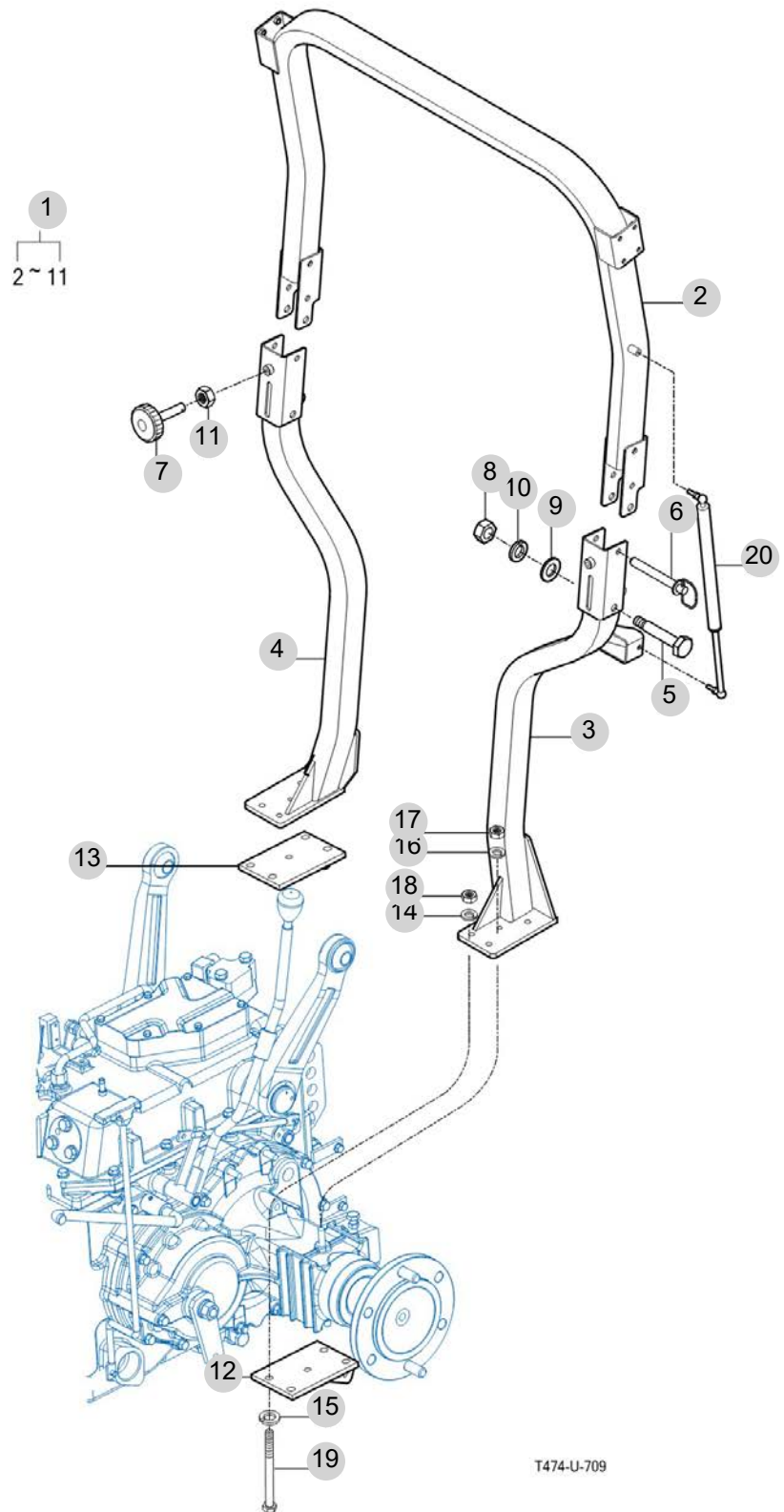
FIG 709

T475NCEU

ROPS

년/월
Year/Month

2022-12



NOTE

8. 전장 PART NO. T8

FIG 801 BATTERY & MOUNTING	232
FIG 802 LAMP	234
FIG 803 INSTRUMENT PANEL	236
FIG 804 ELECTRIC SYSTEM	238
FIG 805 HARNESS	240

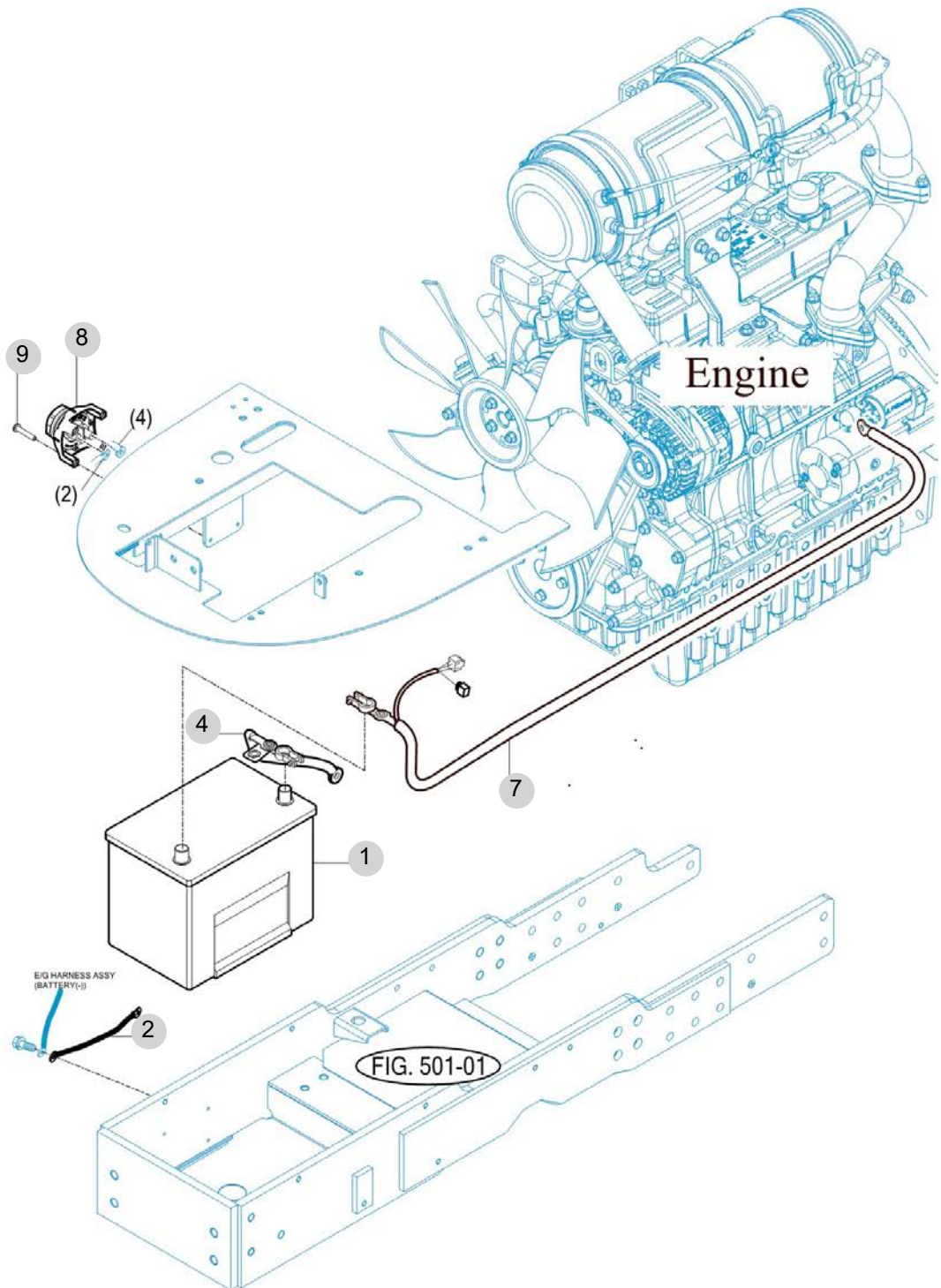
FIG 801

T475NCEU

BATTERY & MOUNTING

년/월
Year/Month

2022-12



NOTE

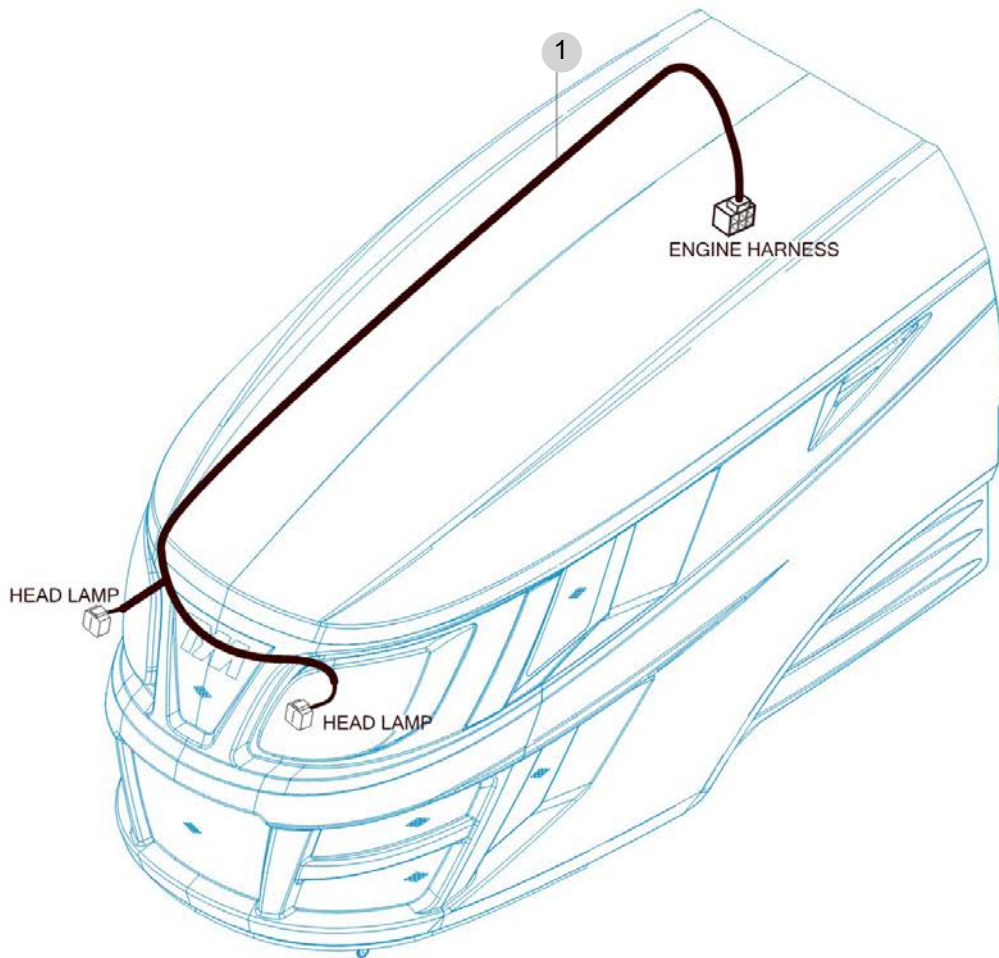
FIG 802

T475NCEU

LAMP

년/월
Year/Month

2022-12



NOTE

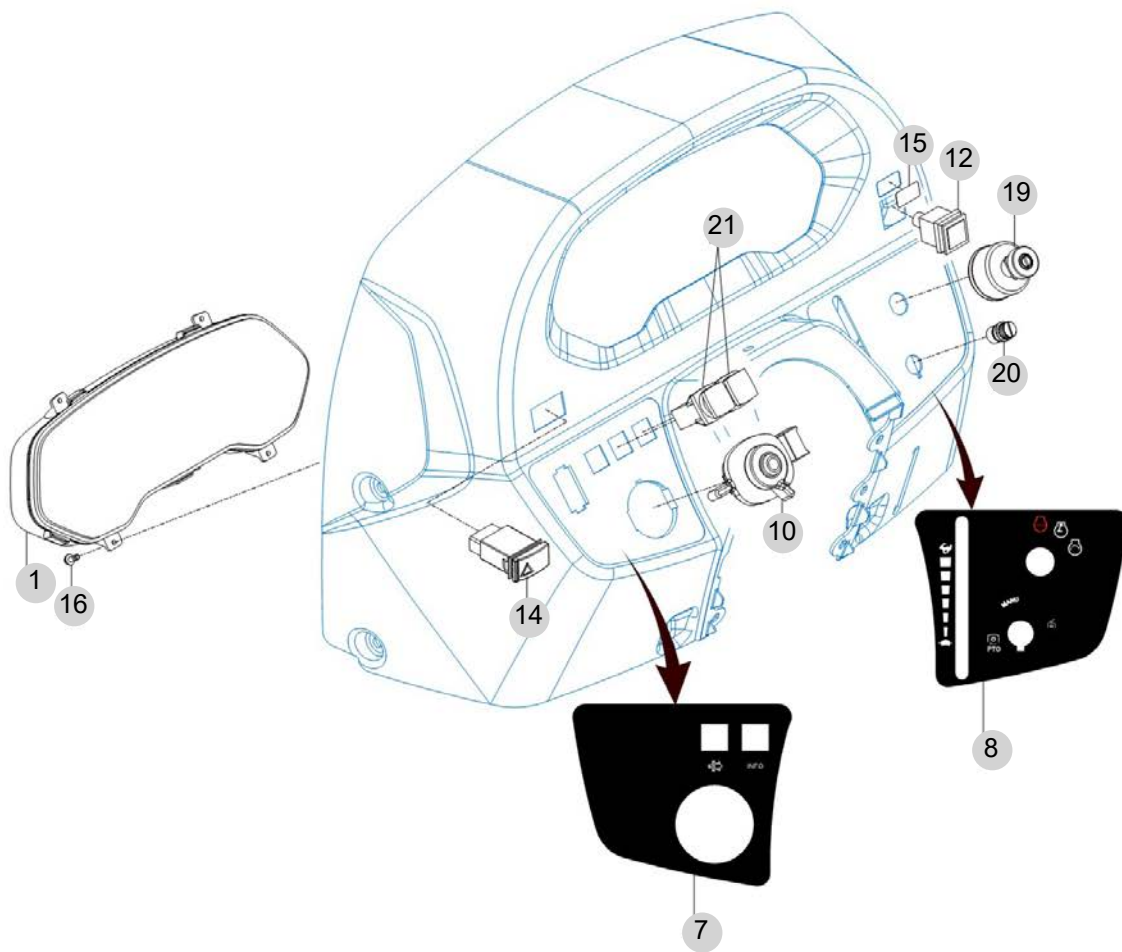
FIG 803

INSTRUMENT PANEL

년/월
Year/Month

T475NCEU

2022-12



NOTE

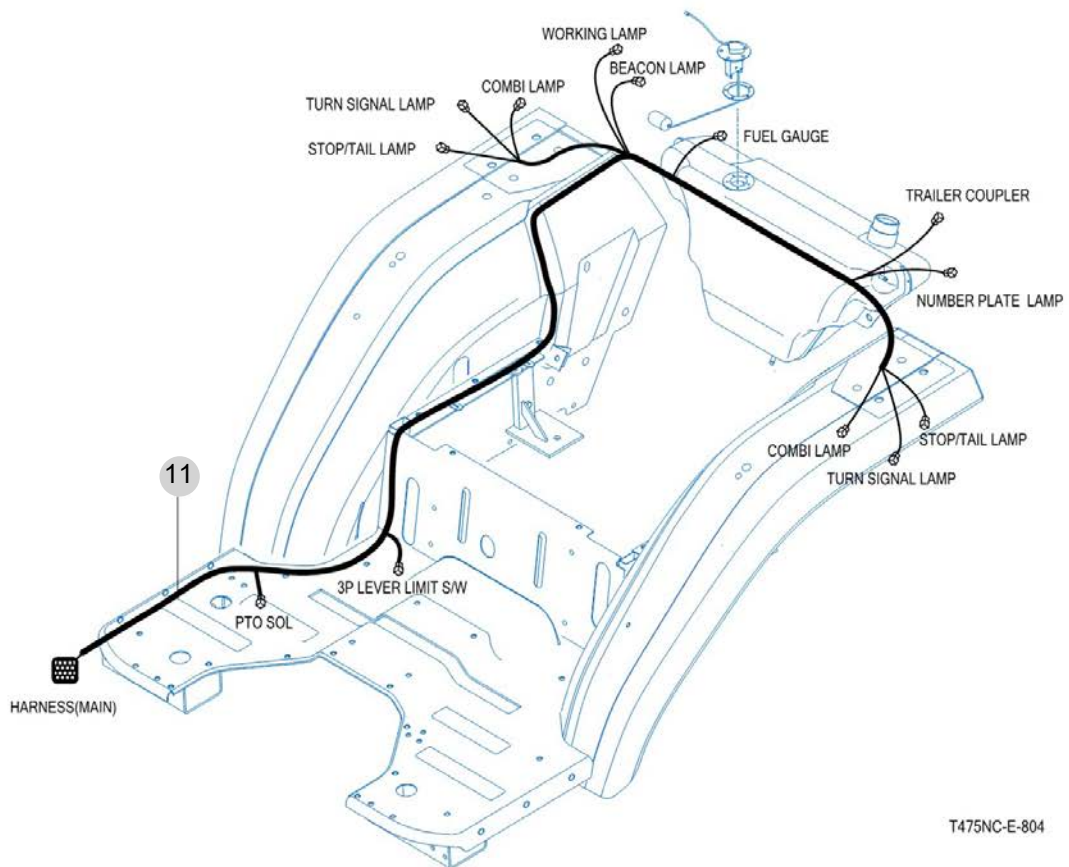
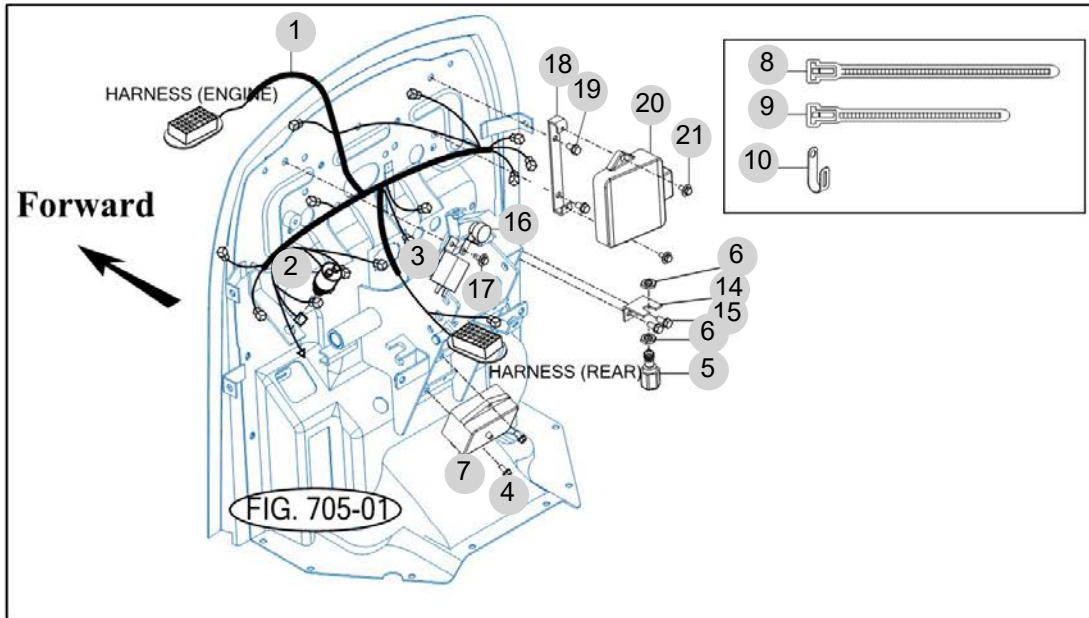
FIG 804

T475NCEU

ELECTRIC SYSTEM

년/월
Year/Month

2022-12



T475NC-E-804

NOTE

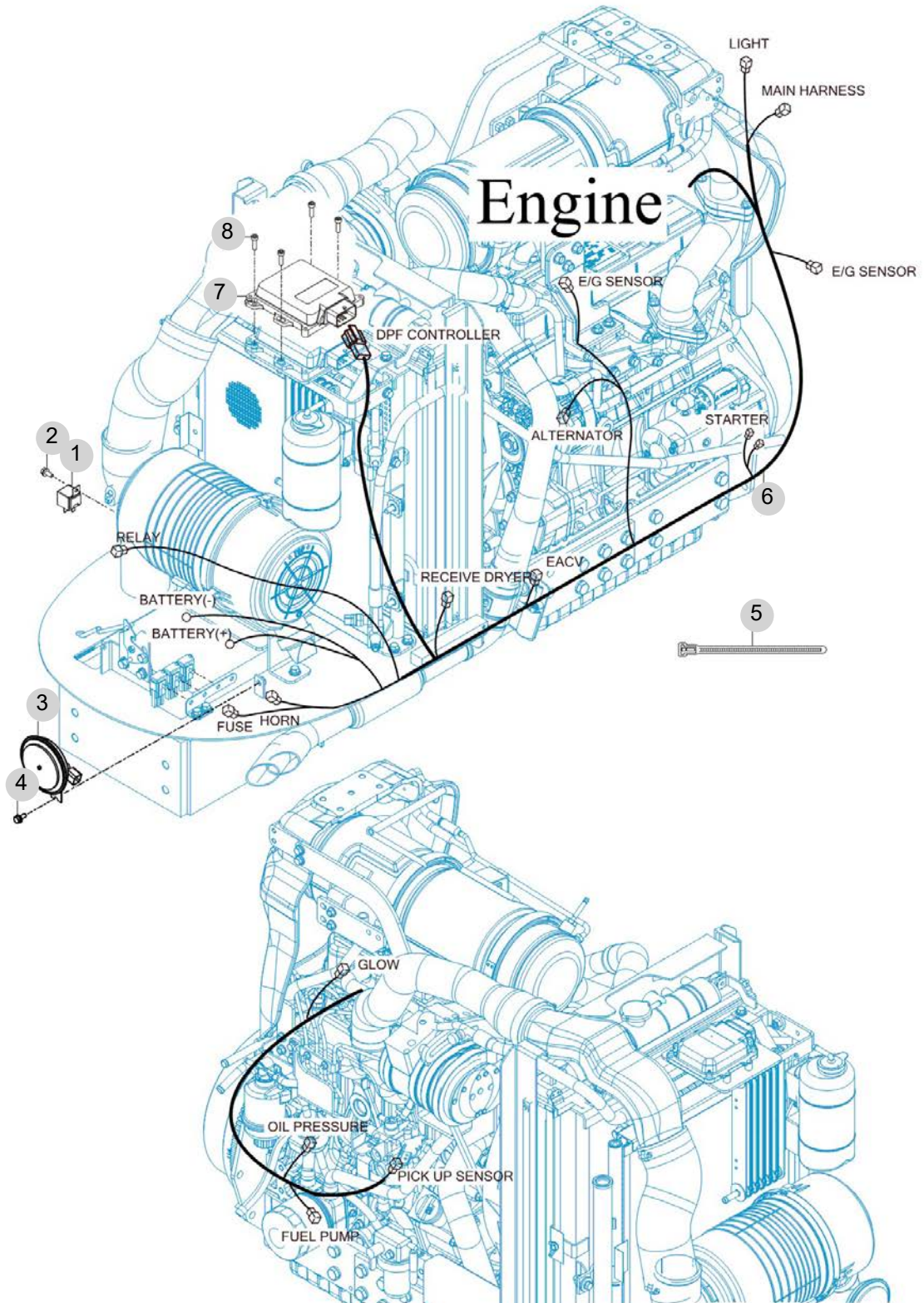
FIG 805

HARNESS

년/월
Year/Month

T475NCEU

2022-12



NOTE

9. 라벨/옵션 PART NO. T9

FIG 901 TOOL & ACCESSORY	243
FIG 902 WEIGHT	245
FIG 903-1 LABEL	247
FIG 903-2 LABEL	250

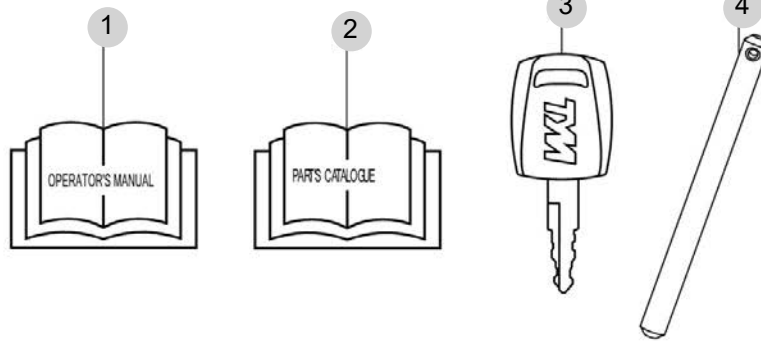
FIG 901

T475NCEU

TOOL & ACCESSORY

년/월
Year/Month

2022-12



T474-U-901

NOTE

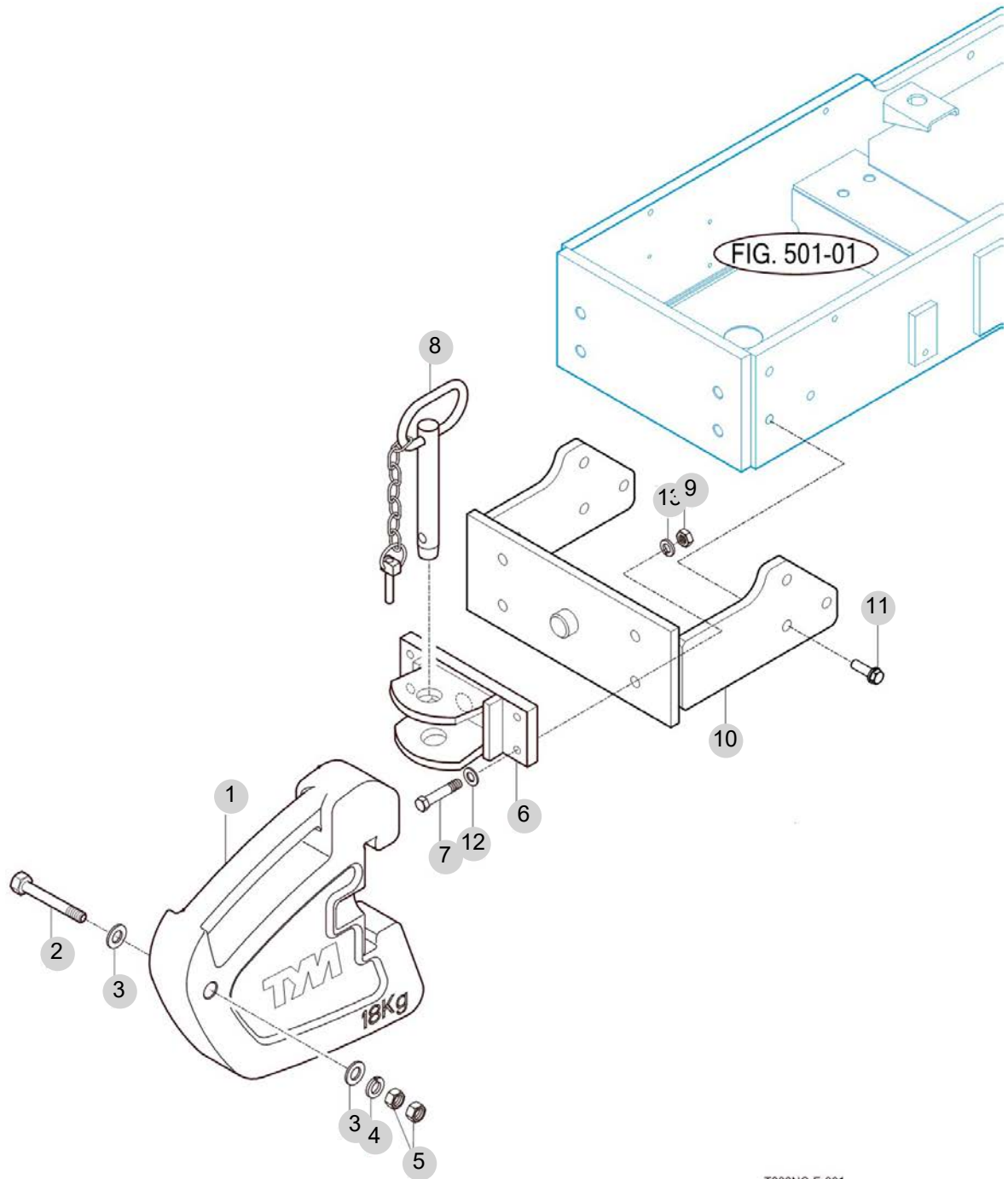
FIG 902

T475NCEU

WEIGHT

년/월
Year/Month

2022-12



T393NC-E-901

NOTE

FIG 903-1

LABEL

년/월
Year/Month

T475NCEU

2022-12

⚠ DANGER

This Tractor may tip over unexpectedly and quicker than an operator is able to jump free

1. Never operate a tractor without a proper Roll over Protection Structure (ROPS)
2. Always wear your seat belt when operating this tractor equipped with roll over protection.
3. Never pull from above or from the rear axle.
4. Do not operate the tractor on steep slopes or near drop offs
5. Avoid sharp high speed turns. Serious injury or death may result from tractor upsets.

1200-904-801-0

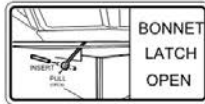
27

⚠ WARNING

Death or injury may result if this tractor over turns with the ROPS in the folded down position. Operate this tractor with the ROPS folded down only when necessary. Do not wear seat belt if operated with ROPS folded down

1200-904-902-0

26



24

⚠ WARNING

Work in ventilated Area.

1200-910-003-0

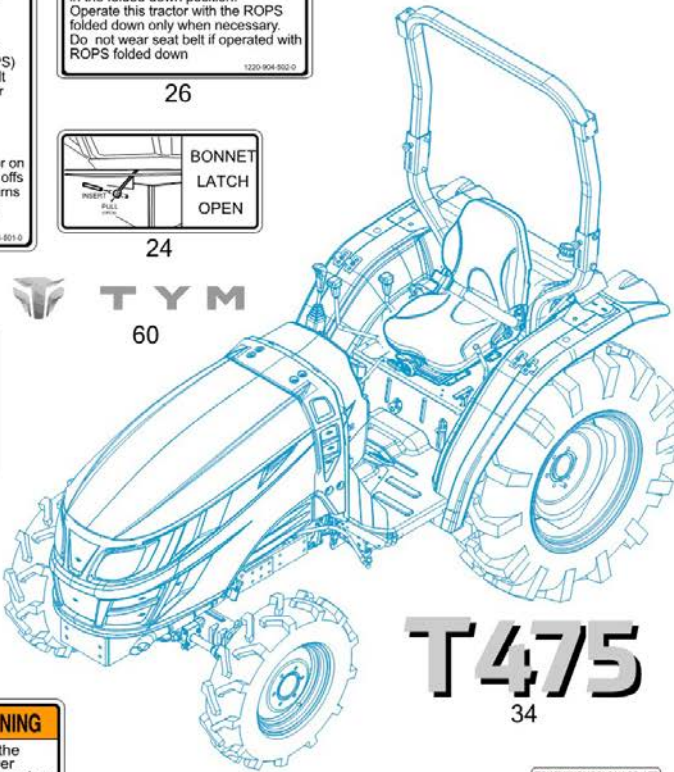
11

⚠ DANGER

Do not ride except operator.

1200-910-004-0

12



TYM
60

T475
34

⚠ WARNING

Additions, alterations, cracking, damage or corrosion to this structure may adversely affect the performance of the ROPS.

36

⚠ WARNING

Do not refuel the tractor while smoking or near naked flame or sparks. always stop engine before refueling tractors.

1200-910-007-0

15

⚠ WARNING

Do not use the sub shift lever at "H" position when driving backward.

1200-910-011-0

10



2

TYONGYANGMOOLSAN CO.,LTD

TYPE - TCC1

e13

00073 NS

T : 3.0 tonne
S : 300 kg

29



20

21

⚠ WARNING

Never use the diff-lock at high speed or on the road as this can cause rollover and injury.

1200-910-008-0

16

⚠ WARNING

Do not remove radiator cap while engine is hot. Hot steam will injure you.

1200-910-015-0

7

⚠ WARNING

Always fasten Your seat belt.

1200-910-019-0

13

⚠ CAUTION

Keep hands and clothing away from rotating fan and belts to prevent serious injury.

1200-910-012-0

6

⚠ CAUTION

Do not touch while the system is hot. It cause serious burns

1200-910-024-0

5



19

⚠ WARNING

LOCK → UNLOCK

LOCK BUTTEN

Push the butten to lock position with joystick lever is neutral whenever the implement is not operation.

1200-910-020-0

25



47

DPF regeneration procedure

When DPF lamp on and beep, follow below

Do this	Operate (about 30min)	Complete
1. Park outside safe location		
2. Stop all functions		
3. Parking brake ON		
4. Press clutch pedal (Mechanical)		
5. Engine speed to Max RPM		
6. Press the regen button		
7. Must remain with the vehicle		

DPF+EGT ON
+ Button blinking
Lamp off

For further details, consult your Operator's Manual 1200-910-021-0

49

NOTE

FIG 903-1 T475NCEU		LABEL					년/월 Year/Month	
							2022-12	
KEY NO	PART NO	DESCRIPTION	SPEC	QTY	REPAIR	EFFECTIVE DATE	REMARKS	
903-1	2	12009040041	유압컨트롤마크		1			
903-1	3	12009100020	라벨, 경고/파킹		1			
903-1	4	12009100070	라벨, 경고/브레이크		1			
903-1	5	12009100240	라벨, 주의/소음기		1			
903-1	6	12009100120	라벨, 주의/팬		2			
903-1	7	12009100150	라벨, 경고/라디에이터캡		1			
903-1	8	12009100230	라벨, 주의/취급		1			
903-1	9	12009100130	라벨, 위험/PTO		1			
903-1	10	12009100010	라벨, 경고/부변속		1			
903-1	11	12009100030	라벨, 경고/배기가스		1			
903-1	12	12009100160	라벨, 위험/동승금지		1			
903-1	13	12009100190	라벨, 경고/안전벨트		1			
903-1	14	12009100210	라벨, 경고/스로틀		1			
903-1	15	12009100050	라벨, 경고/화기염금		1			
903-1	16	12009100060	라벨, 경고/차동고정		1			
903-1	17	12009100140	라벨, 경고/견인		1			
903-1	18	17689100170	라벨, 주의/안전		1			
903-1	19	17689200050	라벨, 취급/차동고정		1			
903-1	20	12519020060	라벨(PTO)		1			
903-1	21	14979010070	라벨(부변속)		1			
903-1	23	15189030060	포트마크(A)		1			
903-1	24	10987025120	라벨, 본넷 오픈		1			
903-1	25	17699100090	라벨, 경고/조이스틱		1			
903-1	26	12209045020	라벨(ROPS경고)		1			
903-1	27	12209045010	라벨(ROPS위험)		1			
903-1	28	12519430040	4WD마크		1			
903-1	29	12519040230	드로바명판		1			
903-1	32	12609040620	경고(스타트)		1			
903-1	33	12009100040	라벨, 경고/스톱밸브		1			
903-1	34	10989040042	마크, T475		2			
903-1	34	10989040041	마크, T475		2			
903-1	36	12209045051	라벨, 경고/개조		1			
903-1	37	12009100080	라벨, 경고/틸트		1			
903-1	38	12519040190	명판(승강장치/상승) CONTROL ID		1			
903-1	39	12519040200	명판(승강장치/하강) CONTROL ID		1			
903-1	40	12519100130	라벨, 그리스		1			
903-1	41	12209040030	라벨(로타리)		1			
903-1	42	12519100140	라벨, 잭포인트		1			
903-1	43	14729040200	라벨(PTO레버)		1			
903-1	44	13829040030	라벨, 취급/차속표		1			
903-1	45	14529201120	라벨, 리버스		1			
903-1	46	17699100100	라벨, 경고/조이스틱밸브		1			
903-1	47	10969040690	형식마크(ROPS)		1			
903-1	48	12519040920	라벨(보조유압/A)		1			
903-1	49	13839209010	라벨, 조작/DPF 재생 스위치		1			
NOTE								

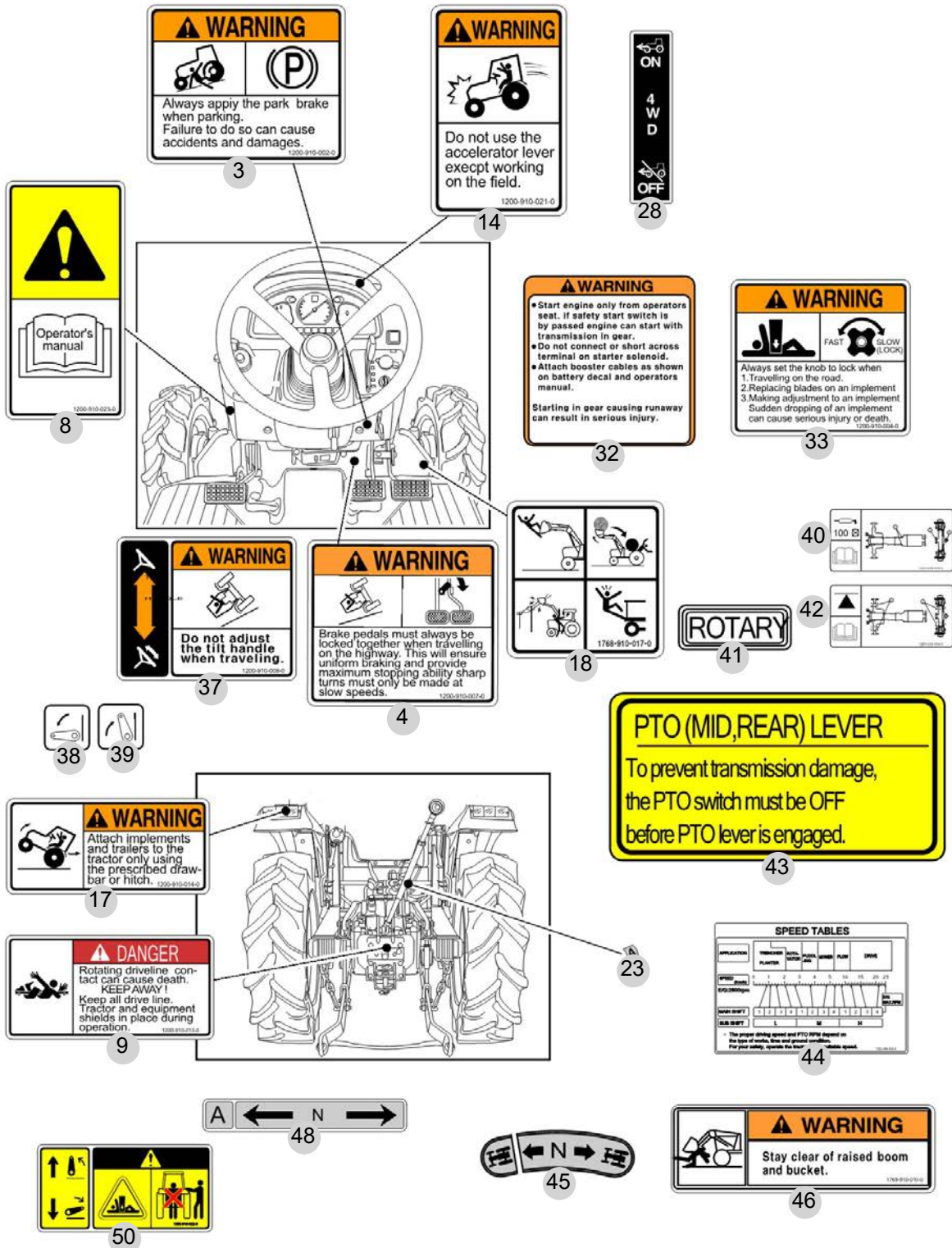
FIG 903-2

T475NCEU

LABEL

년/월
Year/Month

2022-12



NOTE

FIG 903-2		LABEL						년/월 Year/Month	
								2022-12	
T475NCEU		KEY NO	PART NO	DESCRIPTION	SPEC	QTY	REPAIR	EFFECTIVE DATE	REMARKS
903-2	2	12009040041	유압컨트롤마크			1			
903-2	3	12009100020	라벨, 경고/파킹			1			
903-2	4	12009100070	라벨, 경고/브레이크			1			
903-2	5	12009100240	라벨, 주의/소음기			1			
903-2	6	12009100120	라벨, 주의/팬			2			
903-2	7	12009100150	라벨, 경고/라디에이터캡			1			
903-2	8	12009100230	라벨, 주의/취급			1			
903-2	9	12009100130	라벨, 위험/PTO			1			
903-2	10	12009100010	라벨, 경고/부변속			1			
903-2	11	12009100030	라벨, 경고/배기가스			1			
903-2	12	12009100160	라벨, 위험/동승금지			1			
903-2	13	12009100190	라벨, 경고/안전벨트			1			
903-2	14	12009100210	라벨, 경고/스로틀			1			
903-2	15	12009100050	라벨, 경고/화기염금			1			
903-2	16	12009100060	라벨, 경고/차동고정			1			
903-2	17	12009100140	라벨, 경고/견인			1			
903-2	18	17689100170	라벨, 주의/안전			1			
903-2	19	17689200050	라벨, 취급/차동고정			1			
903-2	20	12519020060	라벨(PTO)			1			
903-2	21	14979010070	라벨(부변속)			1			
903-2	22	13019041130	라벨, TYM(35)			2			
903-2	23	15189030060	포트마크(A)			1			
903-2	24	10987025120	라벨, 본넷 오픈			1			
903-2	25	17699100090	라벨, 경고/조이스틱			1			
903-2	26	12209045020	라벨(ROPS경고)			1			
903-2	27	12209045010	라벨(ROPS위험)			1			
903-2	28	12519430040	4WD마크			1			
903-2	29	12519040230	드로바명판			1			
903-2	32	12609040620	경고(스타트)			1			
903-2	33	12009100040	라벨, 경고/스톱밸브			1			
903-2	34	10989040040	라벨, 모델명(T475)			2			
903-2	34	10989040041	마크, T475			2			
903-2	34	10989040042	마크, /T475			2			
903-2	36	12209045051	라벨, 경고/개조			1			
903-2	37	12009100080	라벨, 경고/틸트			1			
903-2	38	12519040190	명판(승강장치/상승) CONTROL ID			1			
903-2	39	12519040200	명판(승강장치/하강) CONTROL ID			1			
903-2	40	12519100130	라벨, 그리스			1			
903-2	41	12209040030	라벨(로타리)			1			
903-2	42	12519100140	라벨, 잭포인트			1			
903-2	43	14729040200	라벨(PTO레버)			1			
903-2	44	13829040030	라벨, 취급/차속표			1			
903-2	45	14529201120	라벨, 리버스			1			
903-2	46	17699100100	라벨, 경고/조이스틱밸브			1			
903-2	47	10969040690	형식마크(ROPS)			1			
NOTE									

