

T395SHEU

Parts Catalog

# 목 차

## 1. 엔진 PART NO. EG

FIG 100 ENGINE	7
FIG 101 CYLINDER BLOCK	9
FIG 102 GEAR HOUSING	11
FIG 103 FLYWHEEL HOUSING & OIL SUMP	13
FIG 104 CYLINDER HEAD & BONNET	15
FIG 105 SUCTION MANIFOLD	18
FIG 106 EXHAUST MANIFOLD	20
FIG 107 DIESEL PARTICULATE FILTER(DPF)	22
FIG 108 CAMSHAFT & DRIVING GEAR	24
FIG 109 CRANKSHAFT & PISTON	26
FIG 110 LUB OIL SYSTEM	28
FIG 111 COOLING WATER SYSTEM	30
FIG 112 FUEL SUPPLY PUMP	32
FIG 113 FUEL INJECTION VALVE	34
FIG 114 FUEL PIPE	36
FIG 115 STARTER MOTOR	38
FIG 117 ELECTRONIC CONTROL UNIT(ECU)	40
FIG 118 ELECTRIC PARTS	42

## 2. 엔진보기품 PART NO. T2

FIG 201 AIR CLEANER	45
FIG 202 RADIATOR	47
FIG 203 MUFFLER	49
FIG 204 FUEL TANK & HOSE	51
FIG 204 FUEL TANK & HOSE[SAP 가져오기]에서 생성함.	53
FIG 204A KIT No. : 12397090000	55
FIG 205 OIL COOLER	57

## 3. 클러치/브레이크/스티어링 PART NO. T3

FIG 302 BRAKE PEDAL	60
---------------------	----

FIG 303 BRAKE	62
FIG 304 FRONT WHEEL MOUNTING	64
FIG 305 REAR WHEEL MOUNTING	66
FIG 306 STEERING WHEEL & DASH COVER	68
FIG 307 STEERING VALVE & TILT	70
FIG 308 STEERING CYLINDER	72

#### 4. 트랜스미션 PART NO. T4

FIG 401 TRANSMISSION FRONT CASE	75
FIG 402 HST	77
FIG 403 MID CASE	79
FIG 404 4WD DRIVE GEAR	81
FIG 405 INPUT GEAR	83
FIG 406 SUB CHANGE GEARS	85
FIG 407 PINION GEARS	87
FIG 408 P.T.O DRIVE SHAFT	89
FIG 409 P.T.O CHANGE GEARS	91
FIG 410 DIFF LOCK	94
FIG 411 TRANSMISSION REAR CASE	96
FIG 412 REAR AXLE HOUSINGS (1)	98
FIG 413 REAR AXLE HOUSINGS (2)	100
FIG 414 MID P.T.O GEARS	102
FIG 415 SUB CHANGE LEVER	104
FIG 416 FORWARD & REVERSE CONTROL LINKAGE	106
FIG 417 CRUISE CONTROL	108
FIG 418 4WD CHANGE LEVER	110

#### 5. 프론트 액슬 PART NO. T5

FIG 501 FRONT AXLE BRACKET	113
FIG 502 FRONT DIFFERENTIAL GEARS	115
FIG 503 FRONT AXLE HOUSING	117
FIG 504 FRONT GEAR CASE (1)	119
FIG 505 FRONT GEAR CASE (2)	121

#### 6. 유압/3점링크 PART NO. T6

FIG 601 GEAR PUMP	124
-------------------	-----

FIG 602 CYLINDER CASE	126
FIG 603 LIFT ARM	128
FIG 604 CYLINDER	130
FIG 605 POSITION LINK (1)	132
FIG 606 POSITION LINK (2)	134
FIG 607 CONTROL VALVE	136
FIG 608 POSITION LEVER	138
FIG 609 HYDRAULIC PIPE (1)	140
FIG 610 HYDRAULIC PIPE (2)	142
FIG 611 EXTERIOR HYD. VALVE	144
FIG 612 3-POINT LINK	146
FIG 613 HITCH & COVER	148

## 7. 시트메탈/캐빈 PART NO. T7

FIG 701 HOOD (1)	151
FIG 702 HOOD (2)	154
FIG 704 FRONT & REAR MOUNTING	157
FIG 705 DASH PANEL	159
FIG 706 SEAT & MAT	161
FIG 707 DOOR	163
FIG 708 FRONT GLASS	166
FIG 709 REAR GLASS	168
FIG 710 SUB FENDER & COVER	170
FIG 711 MIRROR	172
FIG 712-1 HEATER & AIR-CON	174
FIG 712-2 HEATER & AIR-CON	176
FIG 713 FENDER COVER	178
FIG 714 ROOF	180
FIG 715 CABIN INTERIOR	182

## 8. 전장 PART NO. T8

FIG 801 BATTERY & MOUNTING	185
FIG 802 LIGHTS	187
FIG 803 INSTRUMENT PANEL	189
FIG 804 ELECTRIC SYSTEM	191
FIG 805 HARNESS (1)	193

FIG 806 HARNESS (2)

195

## 9. 라벨/옵션 PART NO. T9

FIG 901 TOOL & ACCESSORY

198

FIG 902-1 LABEL

200

FIG 902-2 LABEL

203

## 1. 엔진 PART NO. EG

FIG 100 ENGINE	7
FIG 101 CYLINDER BLOCK	9
FIG 102 GEAR HOUSING	11
FIG 103 FLYWHEEL HOUSING & OIL SUMP	13
FIG 104 CYLINDER HEAD & BONNET	15
FIG 105 SUCTION MANIFOLD	18
FIG 106 EXHAUST MANIFOLD	20
FIG 107 DIESEL PARTICULATE FILTER(DPF)	22
FIG 108 CAMSHAFT & DRIVING GEAR	24
FIG 109 CRANKSHAFT & PISTON	26
FIG 110 LUB OIL SYSTEM	28
FIG 111 COOLING WATER SYSTEM	30
FIG 112 FUEL SUPPLY PUMP	32
FIG 113 FUEL INJECTION VALVE	34
FIG 114 FUEL PIPE	36
FIG 115 STARTER MOTOR	38
FIG 117 ELECTRONIC CONTROL UNIT(ECU)	40
FIG 118 ELECTRIC PARTS	42

FIG 100 T395SHEU	ENGINE	년/월 Year/Month
		2022-12
NOTE		





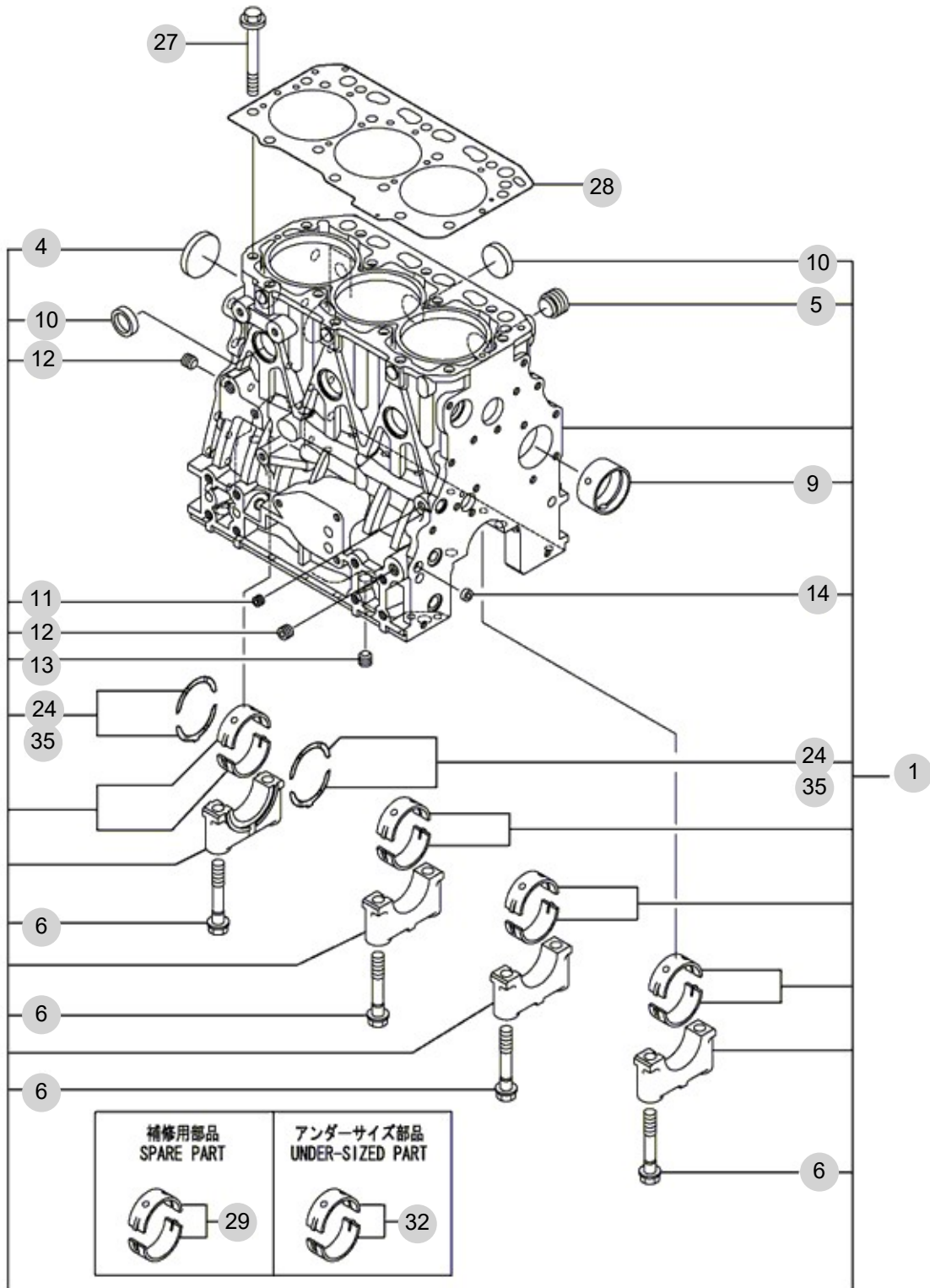
FIG 101

CYLINDER BLOCK

년/월  
Year/Month

2022-12

T395SHEU



NOTE



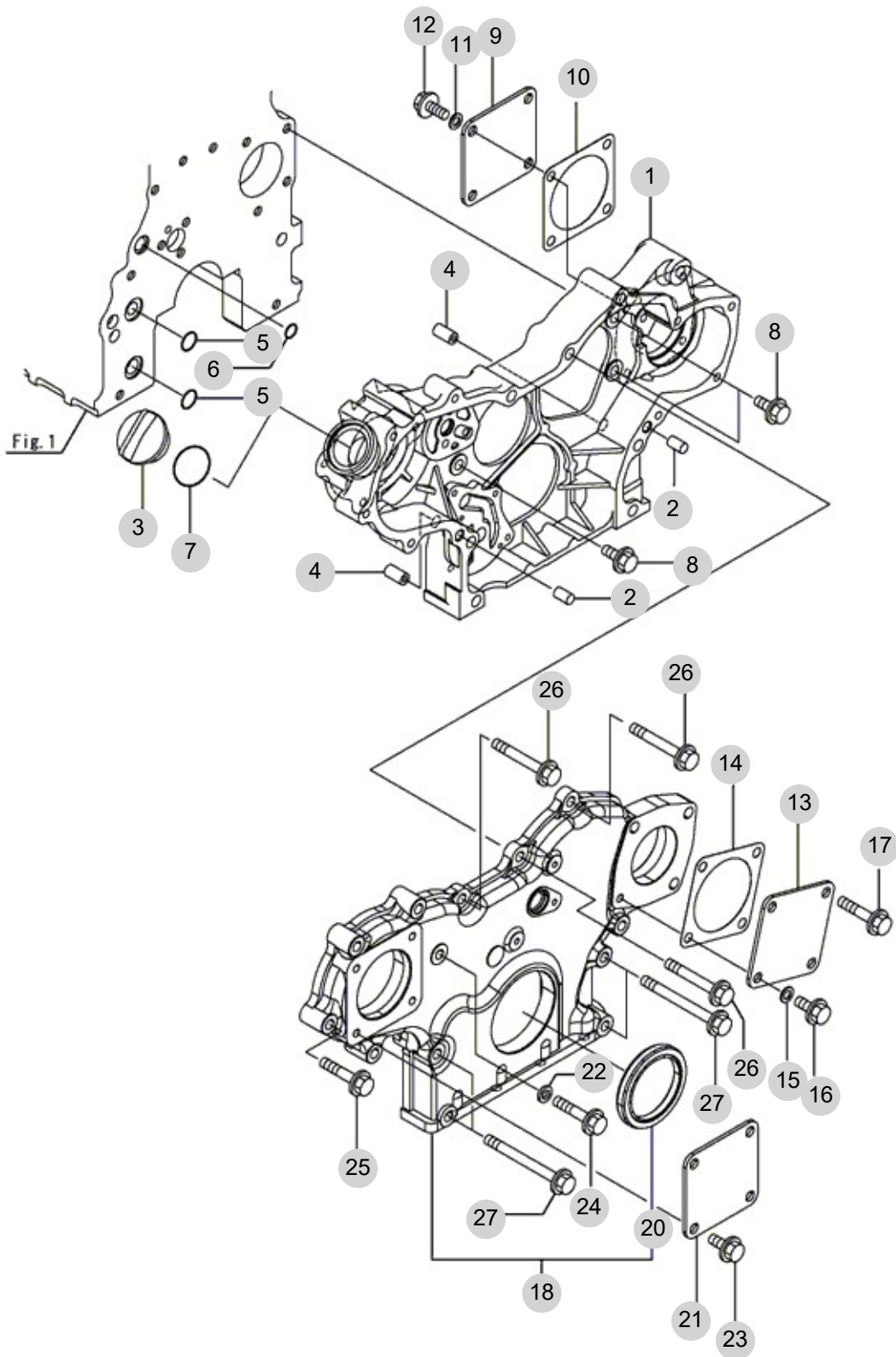
FIG 102

GEAR HOUSING

년/월  
Year/Month

2022-12

T395SHEU



NOTE

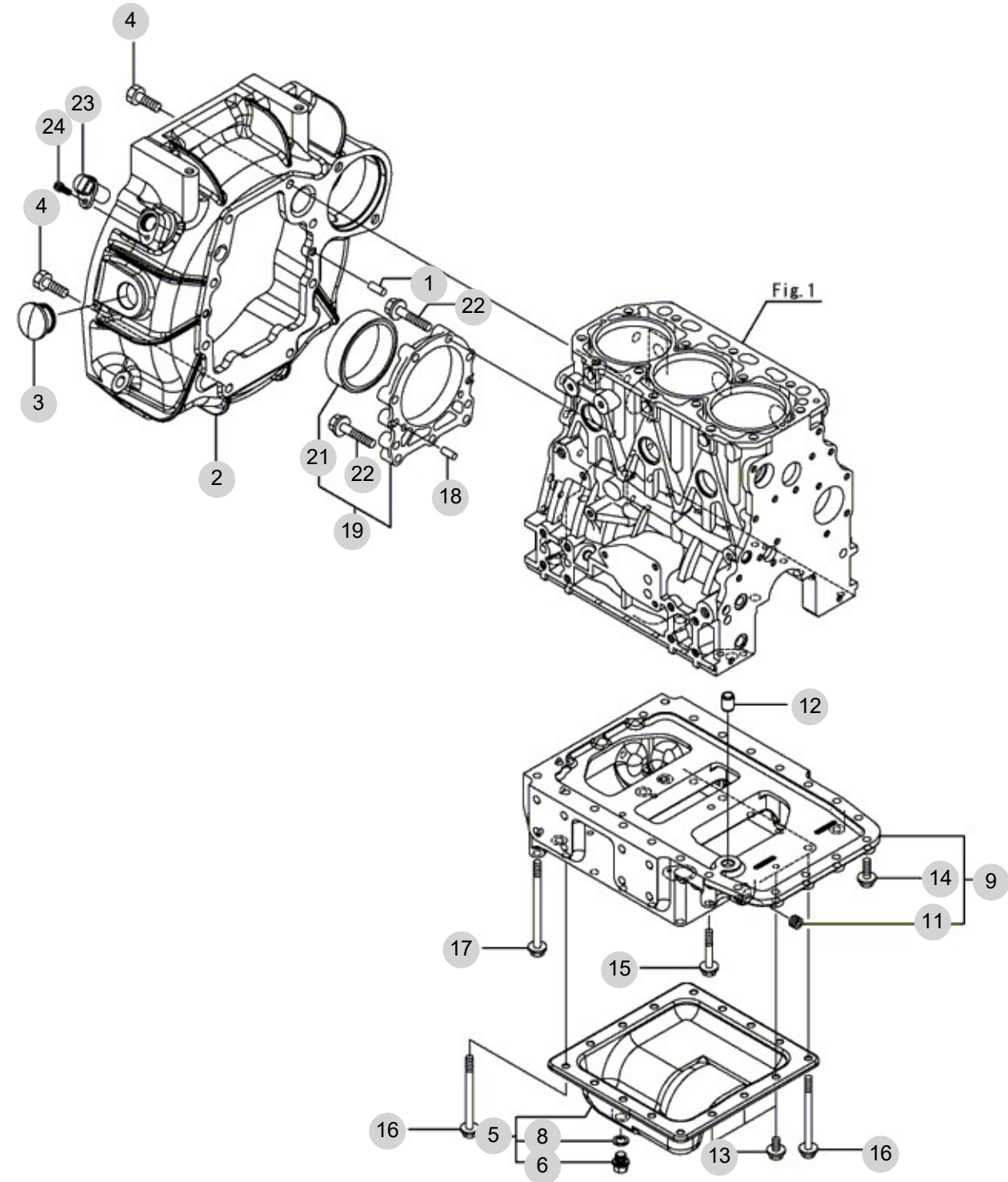


FIG 103

FLYWHEEL HOUSING & OIL SUMP

년/월  
Year/Month

2022-12



NOTE



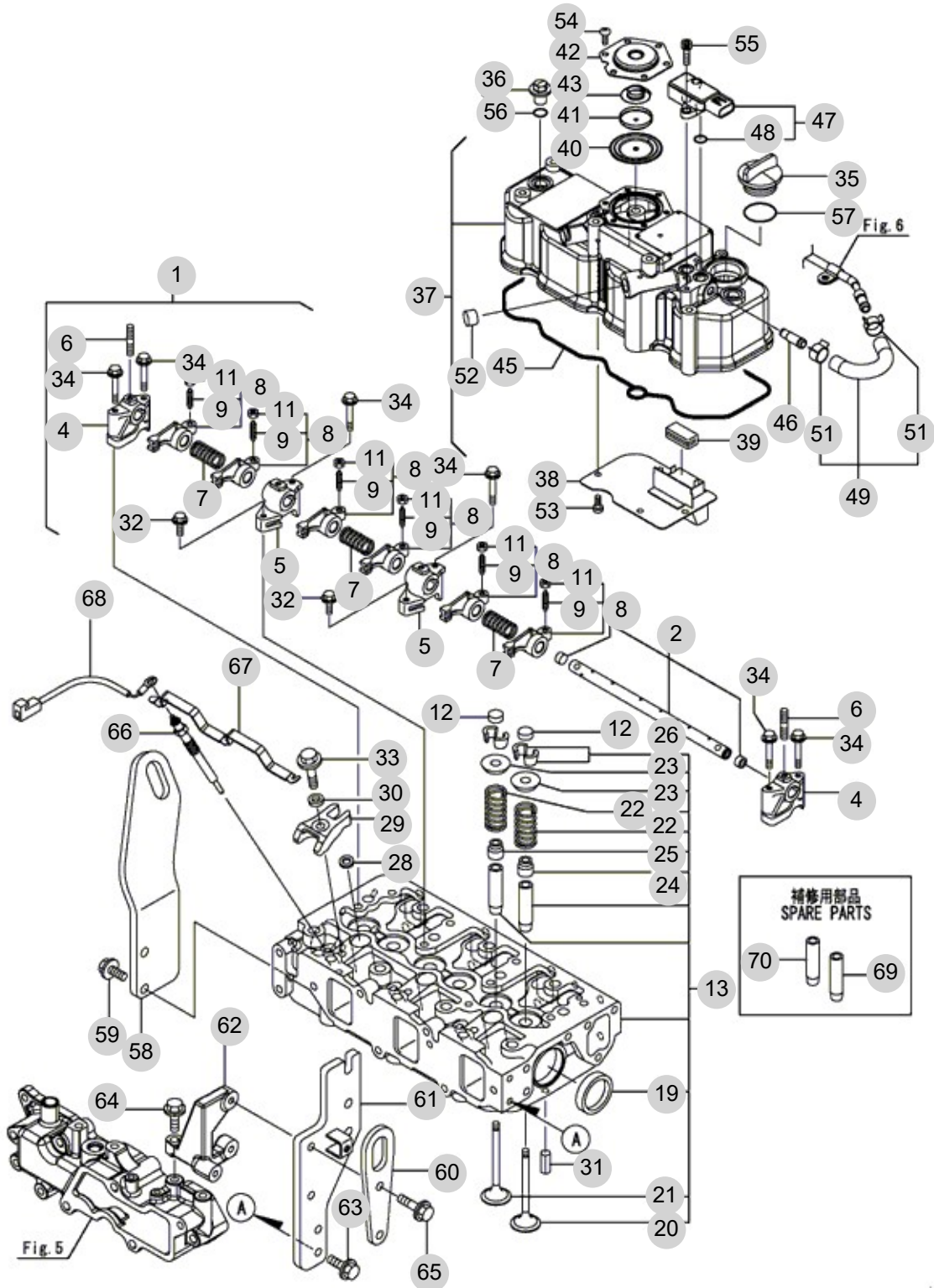
FIG 104

CYLINDER HEAD & BONNET

T395SHEU

년/월  
Year/Month

2022-12



NOTE

FIG 104		CYLINDER HEAD & BONNET					년/월 Year/Month		
							2022-12		
T395SHEU		KEY NO	PART NO	DESCRIPTION	SPEC	QTY	REPAIR	EFFECTIVE DATE	REMARKS
104	1	129004-11241	SHAFT ASSY, ROCKER			1			
104	2	129004-11251	SHAFT, ROCKER ARM			1			
104	4	119802-11260	SUPPORT, ROCKER ARM			2			
104	5	119802-11270	SUPPORT, ROCKER ARM			2			
104	6	119802-11280	BOLT, STUD			3			
104	7	129150-11280	SPRING, ROCKER			3			
104	8	129004-11650	ARM ASSY, ROCKER			6			
104	9	129150-11230	SCREW, VALVE ADJUST			6			
104	11	129150-11750	NUT, M8			6			
104	12	129150-11370	CAP, VALVE			6			
104	13	129A00-11710	HEAD ASSY, CYLINDER			1			
104	19	27241-400000	PLUG, 40			2			
104	20	129005-11100	VALVE, SUCTION			3			
104	21	129100-11112	VALVE, EXHAUST			3			
104	22	129795-11120	SPRING, VALVE			6			
104	23	129795-11180	RETAINER, SPRING			6			
104	24	124460-11340	SEAL, VALVE STEM			3			
104	25	129A00-11340	SEAL, VALVE STEM			3			
104	26	27310-080001	COTTER, 8			6			
104	28	129978-11871	GASKET,INJECTOR			3			
104	29	129A00-11900	RETAINER, INJECTOR			3			
104	30	120270-54410	WASHER, INJECTOR			3			
104	31	22351-060012	스프링핀			2			
104	32	26106-080252	육각플랜지볼트			2			
104	33	26106-080352	육각플랜지볼트			3			
104	34	26106-080502	BOLT, M8X 50 PLATED			6			
104	35	124160-01751	CAP, FILLER			1			
104	36	124160-11360	KNOB			3			
104	37	129A00-11360	BONNET ASSY			1			
104	38	129004-03010	PLATE, BAFFLE			1			
104	39	129150-03070	BAFFLE, BREATHER			1			
104	40	123907-03100	DIAPHRAGM			1			
104	41	123907-03110	PLATE			1			
104	42	123907-03120	PLATE, BREATHER			1			
104	43	123907-03140	SPRING, DIAPHRAGM			1			
104	45	129A00-11310	GASKET, BONNET			1			
104	46	129A00-11330	JOINT			1			
104	47	129978-12700	SENSOR,PRESSURE			1			
104	48	129A00-12780	O-RING,PRES SENSOR			2			
104	49	129A00-13360	HOSE ASSY, PRES EXH			1			
104	51	129A00-13380	CLIP, HOSE 14			2			
104	52	119640-61400	PLUG			1			
104	53	22857-500100	SCREW, 5X10			4			
104	54	22857-500100	SCREW, 5X10			6			
104	55	26450-060162	BOLT, M6X 16			2			
NOTE									





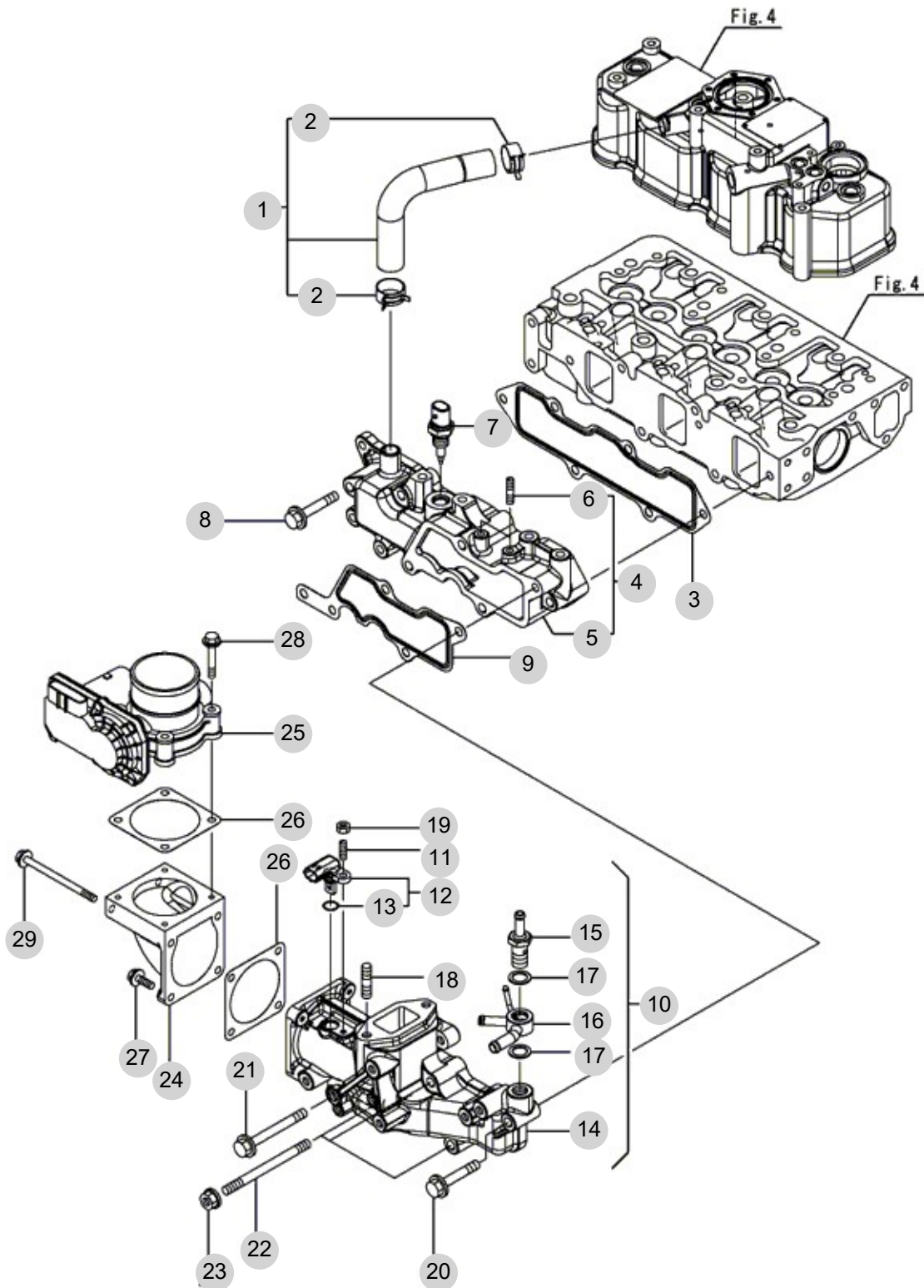
FIG 105

SUCTION MANIFOLD

년/월  
Year/Month

2022-12

T395SHEU



NOTE





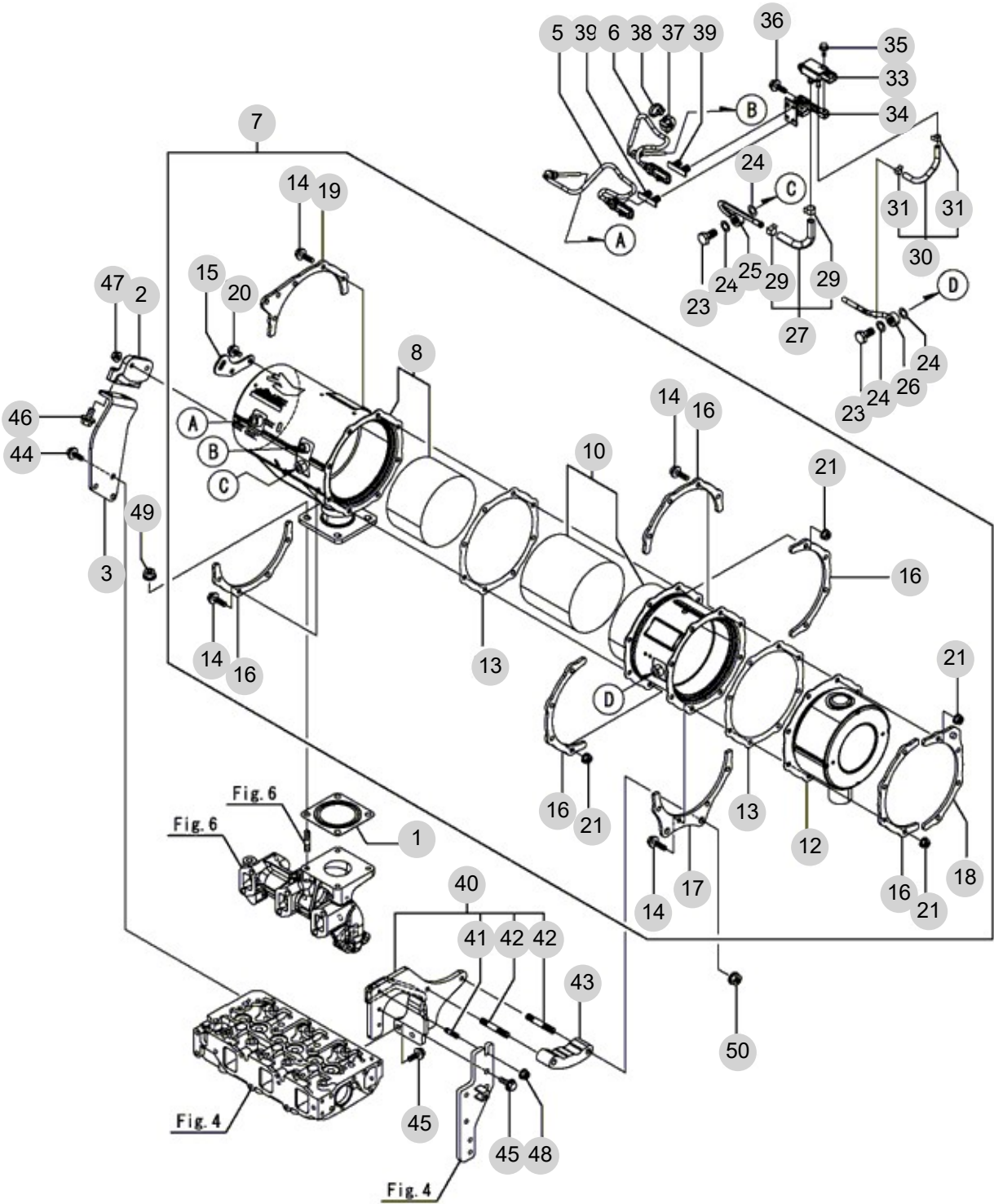


FIG 107

DIESEL PARTICULATE FILTER(DPF)

년/월  
Year/Month

2022-12



NOTE

FIG 107		DIESEL PARTICULATE FILTER(DPF)					년/월 Year/Month		
							2022-12		
T395SHEU		KEY NO	PART NO	DESCRIPTION	SPEC	QTY	REPAIR	EFFECTIVE DATE	REMARKS
107	1	128300-13230	GASKET, SILENCER			1			
107	2	129A00-16820	STAY,DPF			1			
107	3	129A00-16830	STAY,DPF			1			
107	5	129C00-13940	SENSOR, EXH.TEMP			1			
107	6	129C00-13950	SENSOR, EXH.TEMP			1			
107	7	129A26-16000	DPF ASSY			1			
107	8	129A00-16210	CASE, DOC			1			
107	10	129A00-16410	CASE, SOOT FILTER			1			
107	12	129A00-16500	SILENCER, DPF			1			
107	13	129A00-16600	GASKET, DPF			2			
107	14	129A00-16610	BOLT, M8X28 10.9T			16			
107	15	129C01-16690	LIFTER, DPF			1			
107	16	129A00-16700	STIFFENER, DPF A			5			
107	17	129A00-16720	STIFFENER, DPF B			1			
107	18	129A00-16740	STIFFENER, DPF C			1			
107	19	129A00-16750	STIFFENER, DPF C			1			
107	20	26106-080142	BOLT, M8X 14 PLATED			2			
107	21	26306-080002	NUT, M8			16			
107	23	129A00-13350	BOLT, PIPE JOINT			2			
107	24	129A00-17311	GASKET,SENSOR			4			
107	25	129A00-17330	PIPE ASSY, SENSOR			1			
107	26	129A00-17360	PIPE ASSY, SENSOR			1			
107	27	129A00-17610	HOSE ASSY,PRES EXH			1			
107	29	129A00-17520	CLIP, HOSE			2			
107	30	129A00-17670	HOSE ASSY,PRES EXH			1			
107	31	129A00-17570	CLIP, HOSE			2			
107	33	129978-17700	SENSOR,PRESSURE			1			
107	34	129A00-17780	BRACKET, SENSOR			1			
107	35	26106-060162	BOLT, M6X 16 PLATED			2			
107	36	26106-080202	BOLT, M8X 20 PLATED	8X20		2			
107	37	129A00-91200	BAND CLIP			1			
107	38	129C00-91200	BAND			1			
107	39	129A00-91430	CLIP, CONNECTOR			2			
107	40	129A26-17360	STAY ASSY, DPF			1			
107	41	26216-080202	STUD, M8X 20			1			
107	42	26216-100552	STUD, M10X 55			2			
107	43	129A23-17370	SPACER, DPF			1			
107	44	26106-080162	육각플랜지볼트			3			
107	45	26106-080202	BOLT, M8X 20 PLATED	8X20		4			
107	46	26106-100202	육각플랜지볼트			2			
107	47	26306-080002	NUT, M8			2			
107	48	26306-080002	NUT, M8			1			
107	49	26306-100002	NUT, M10			4			
107	50	26306-100002	NUT, M10			2			
NOTE									

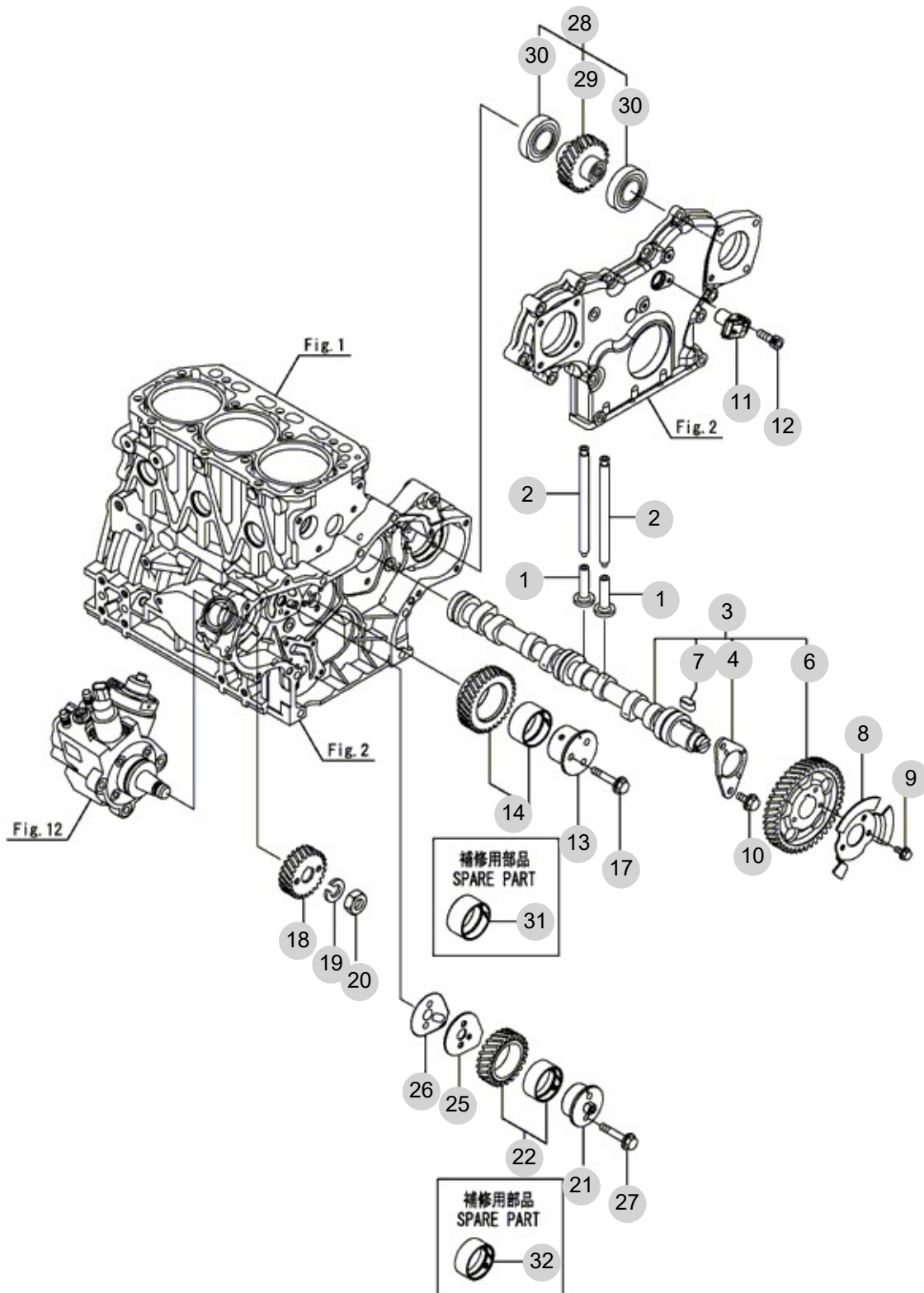
FIG 108

CAMSHAFT & DRIVING GEAR

년/월  
Year/Month

2022-12

T395SHEU



NOTE





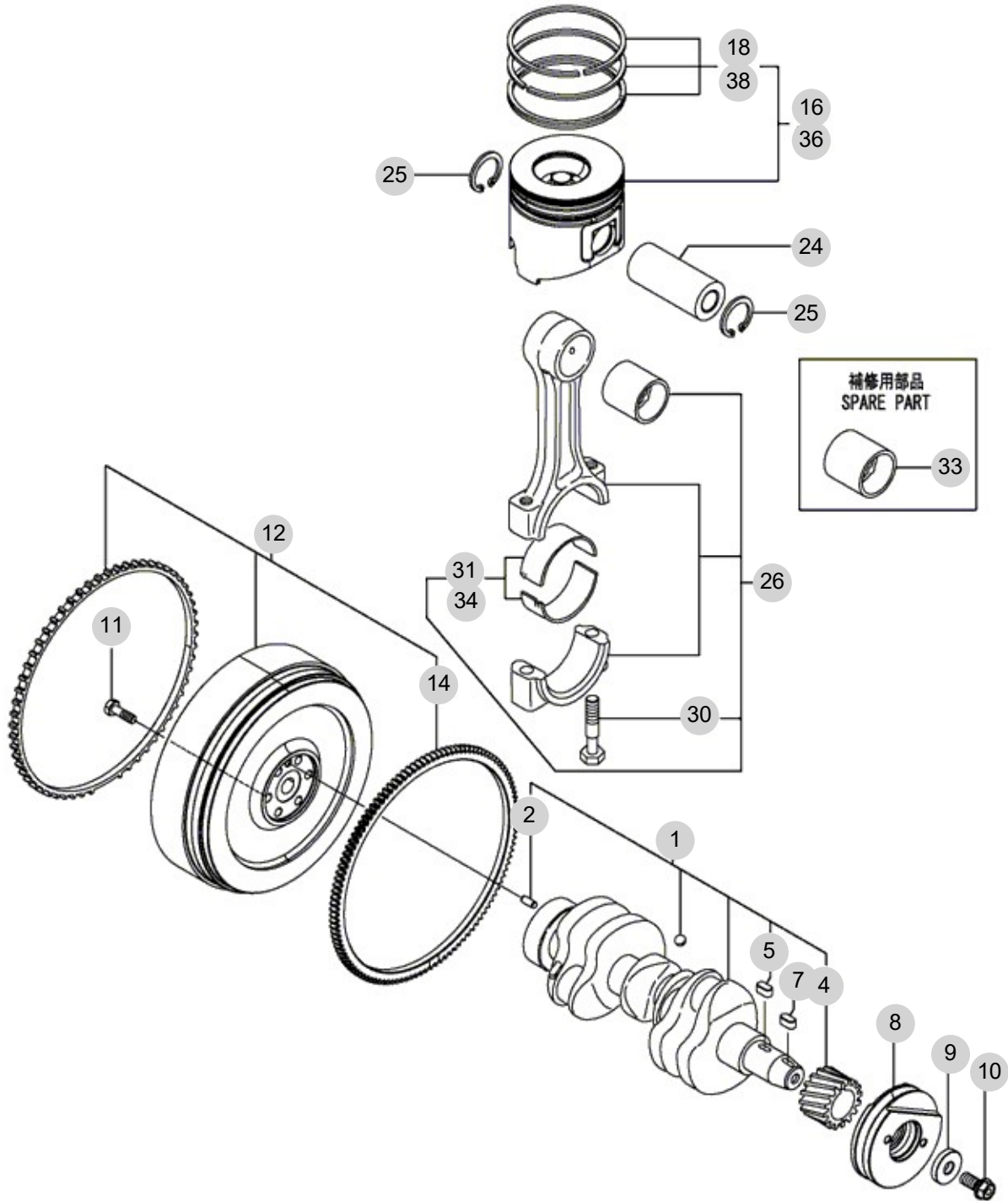
FIG 109

CRANKSHAFT & PISTON

년/월  
Year/Month

2022-12

T395SHEU



NOTE



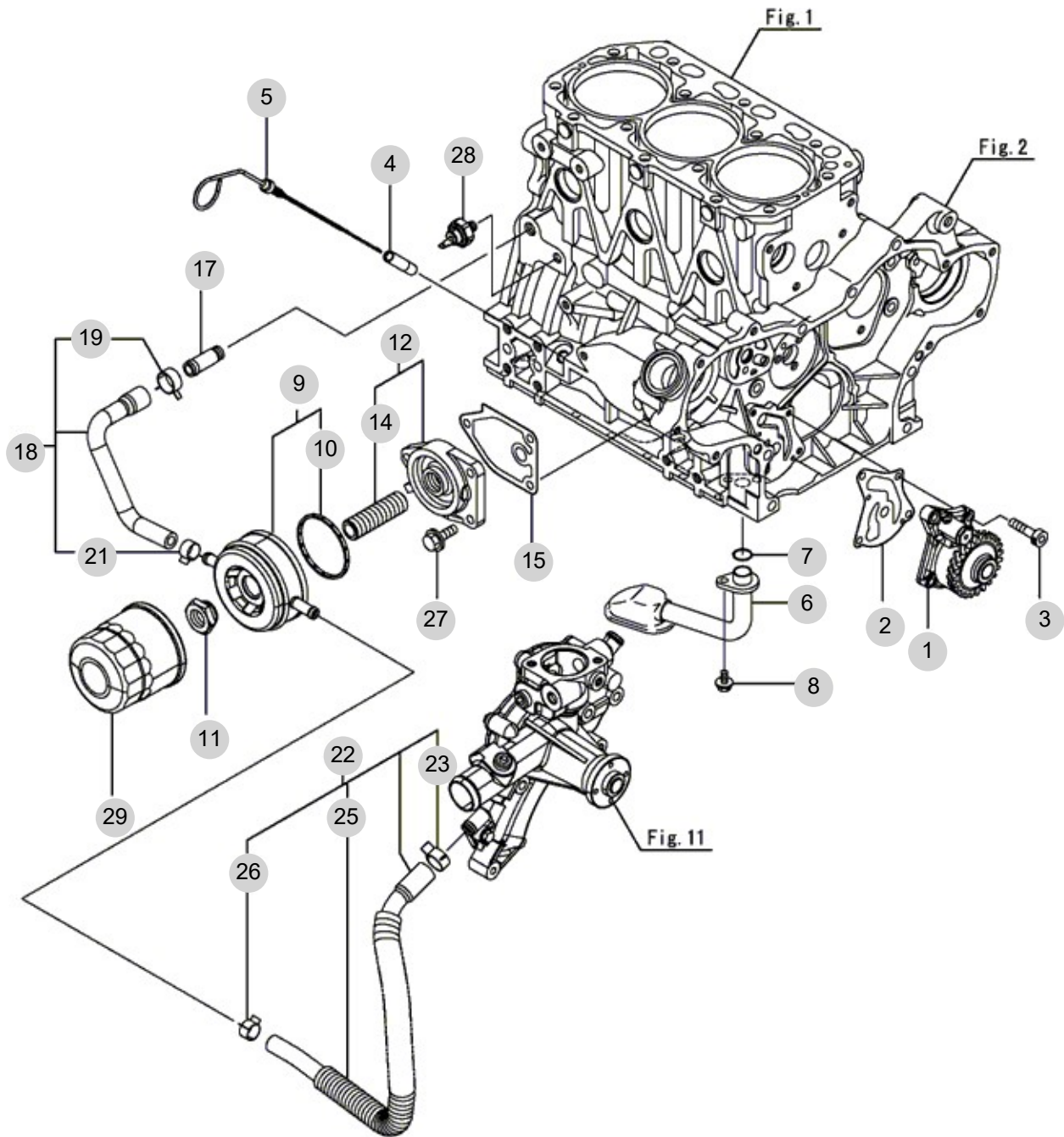
FIG 110

T395SHEU

LUB OIL SYSTEM

년/월  
Year/Month

2022-12



NOTE



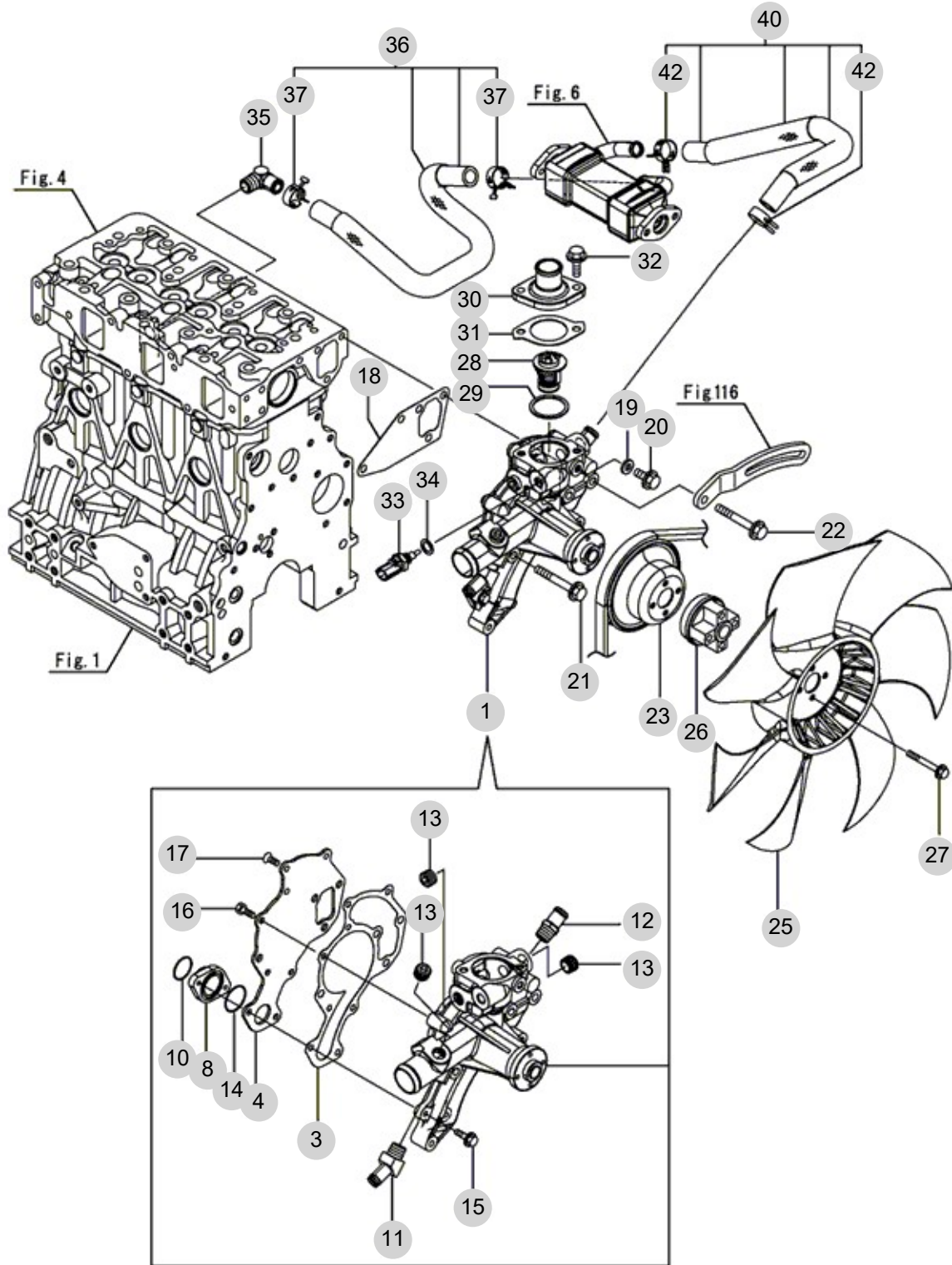
FIG 111

COOLING WATER SYSTEM

년/월  
Year/Month

2022-12

T395SHEU



NOTE



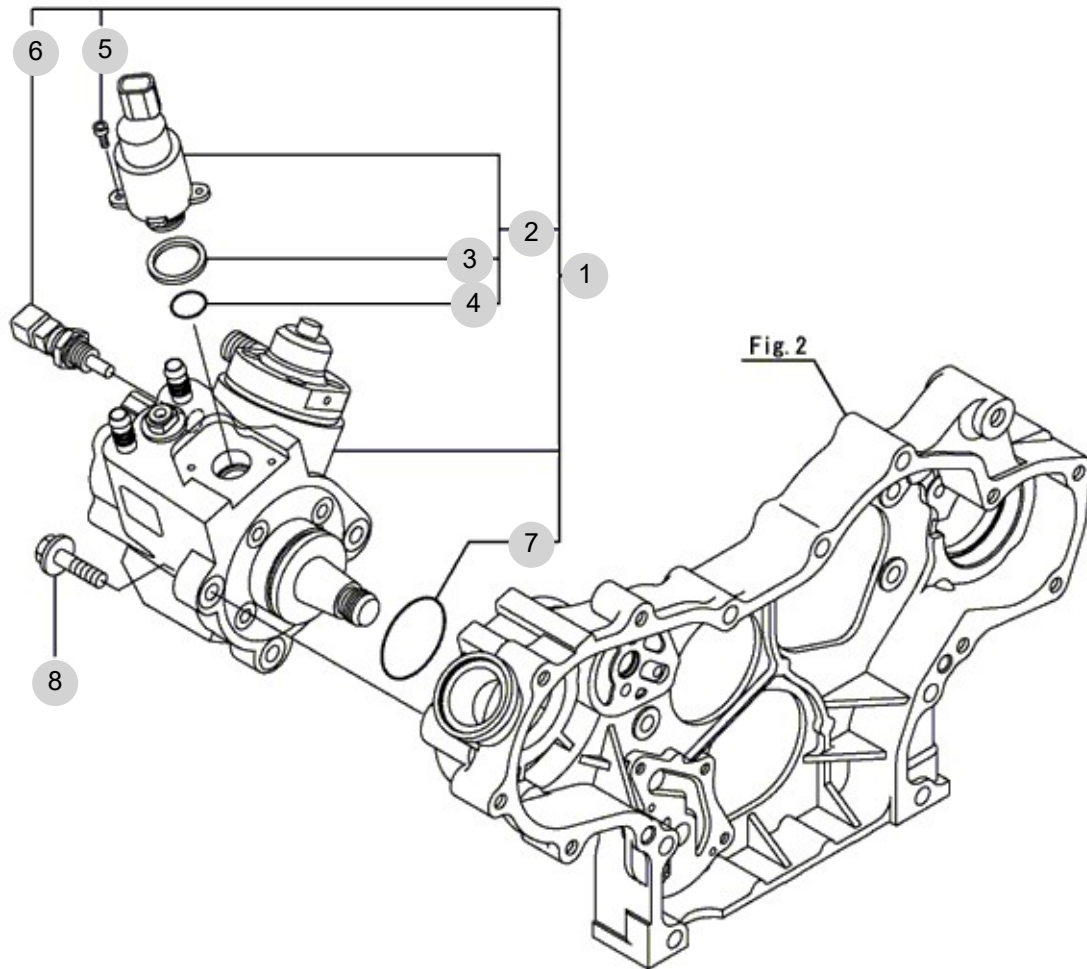
FIG 112

T395SHEU

FUEL SUPPLY PUMP

년/월  
Year/Month

2022-12



NOTE





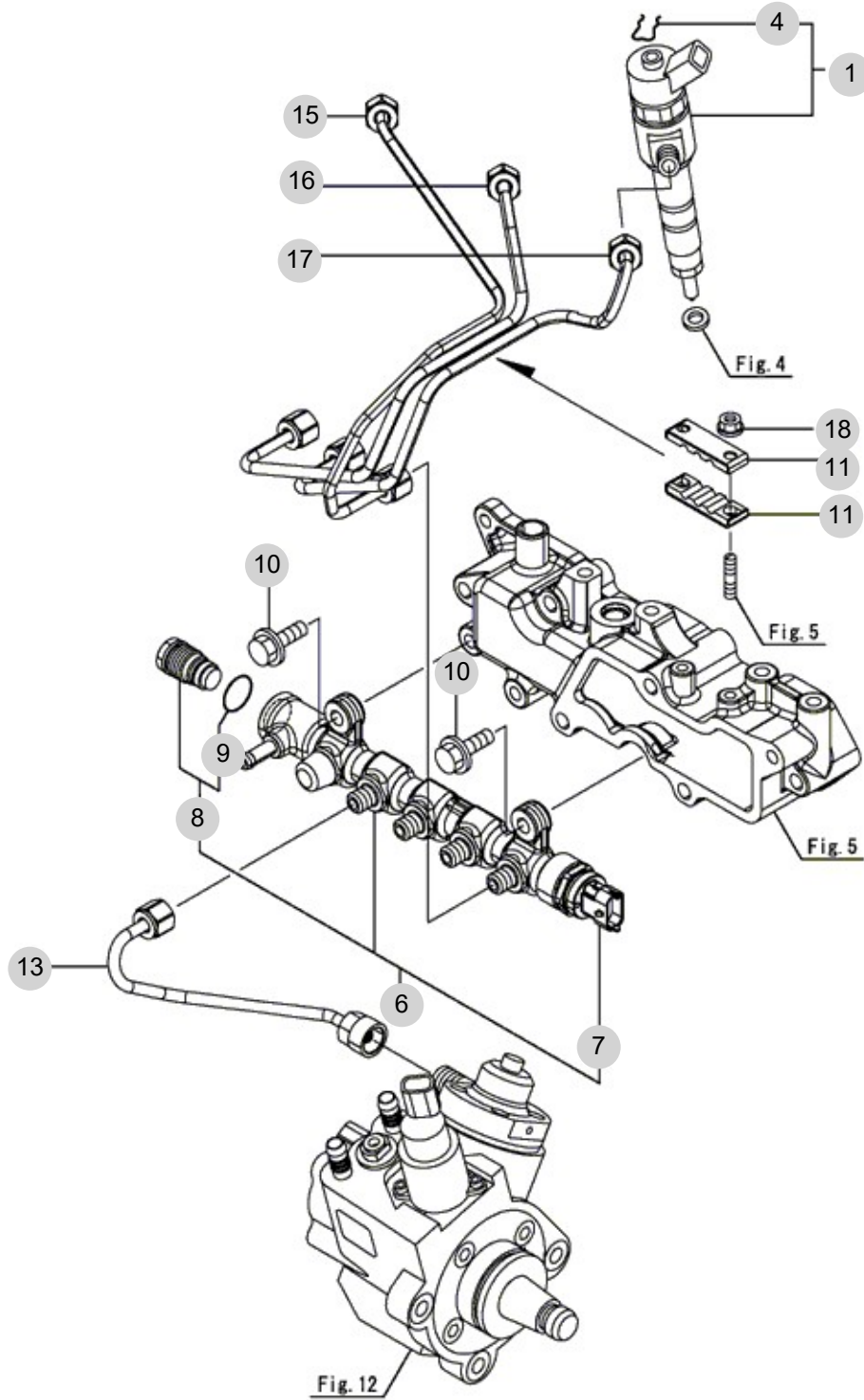
FIG 113

T395SHEU

FUEL INJECTION VALVE

년/월  
Year/Month

2022-12



NOTE



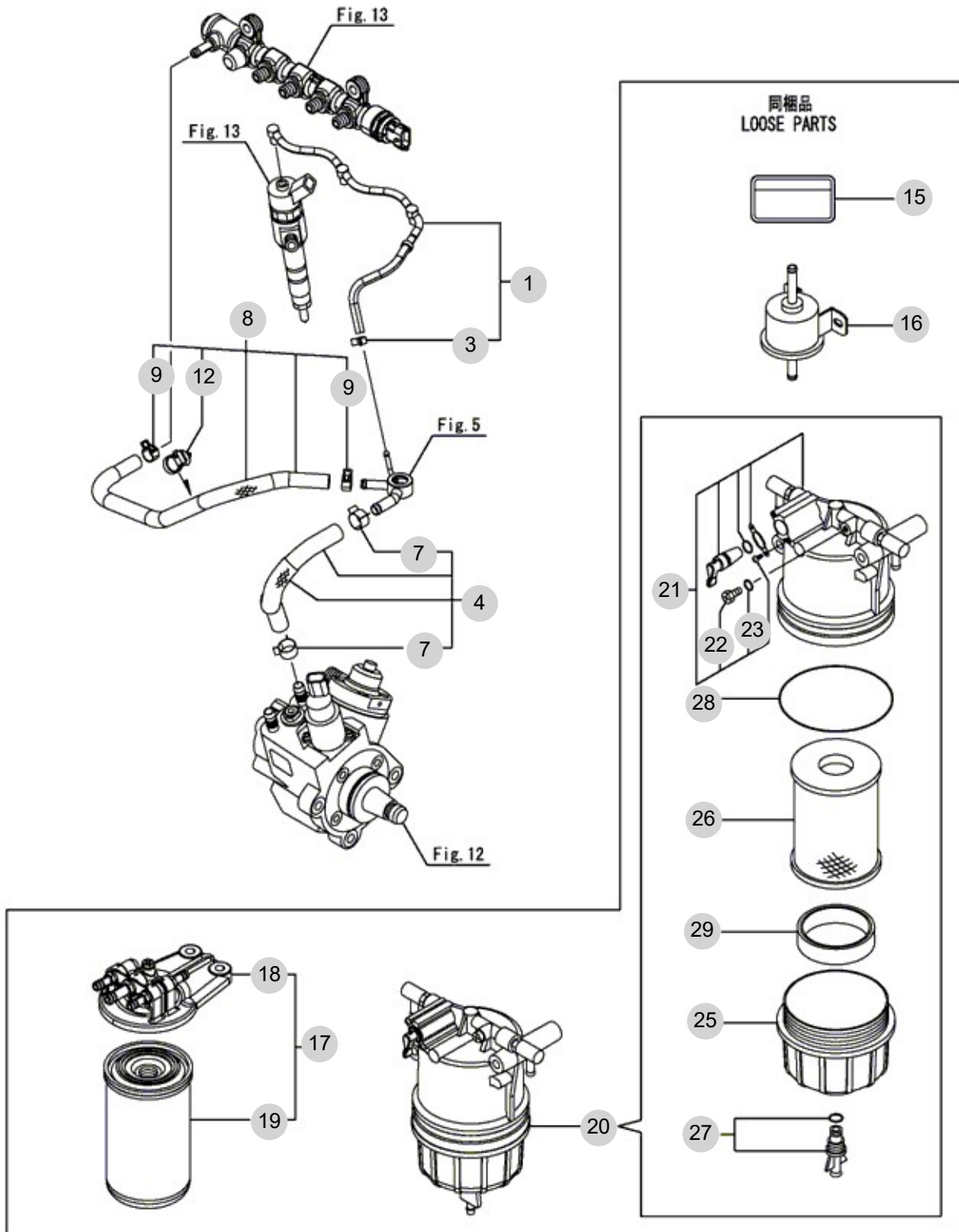
FIG 114

T395SHEU

FUEL PIPE

년/월  
Year/Month

2022-12



NOTE



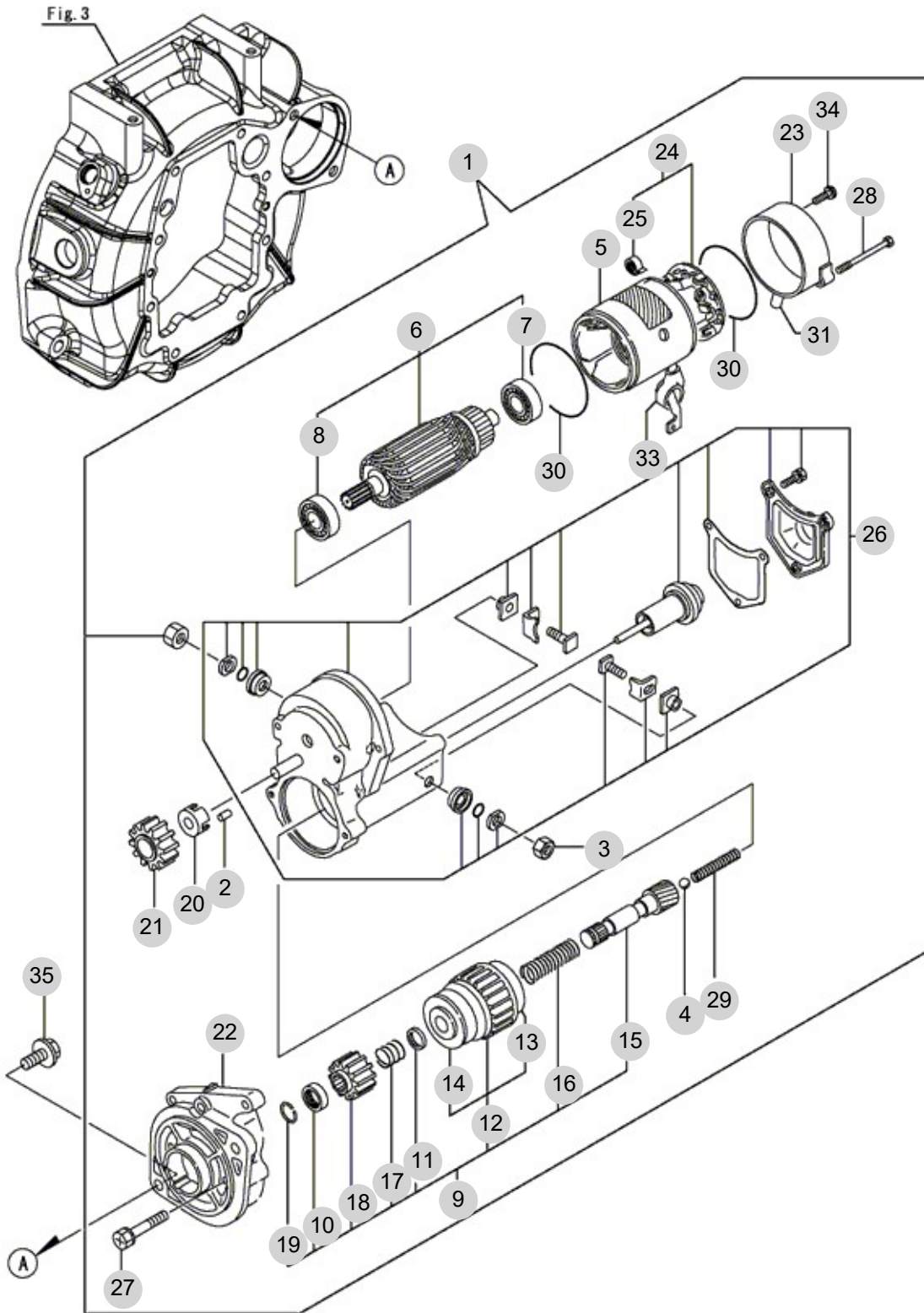
FIG 115

STARTER MOTOR

년/월  
Year/Month

2022-12

T395SHEU



NOTE



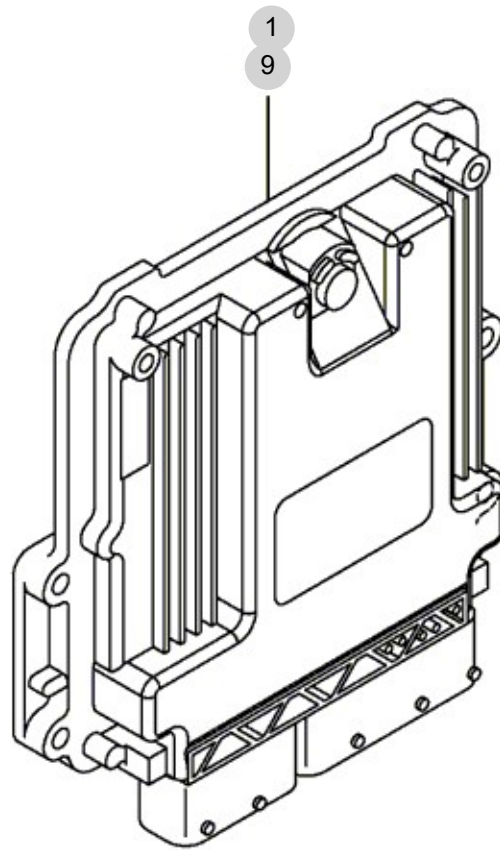
FIG 117

T395SHEU

ELECTRONIC CONTROL UNIT(ECU)

년/월  
Year/Month

2022-12



NOTE





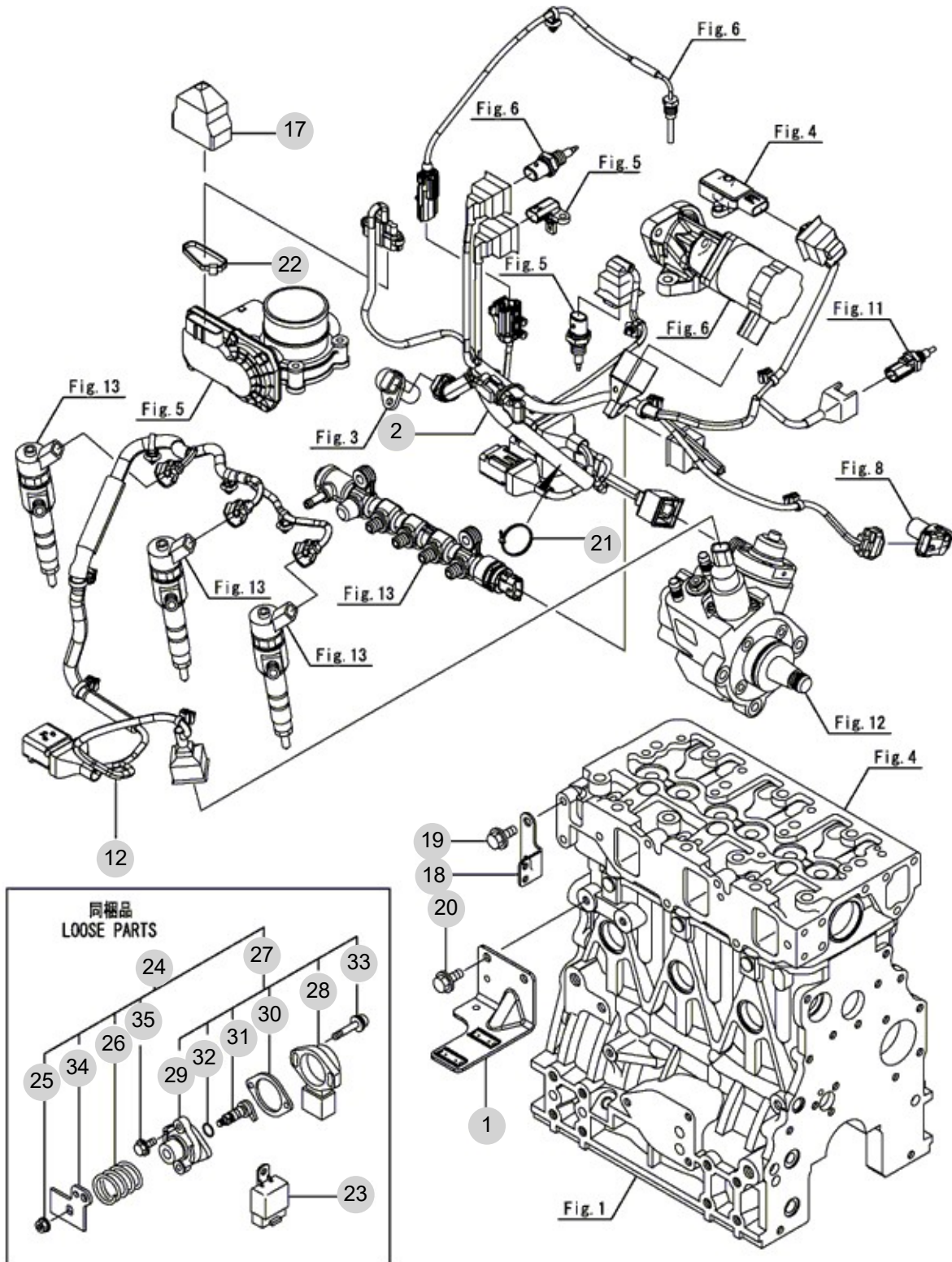
FIG 118

ELECTRIC PARTS

년/월  
Year/Month

T395SHEU

2022-12



NOTE



## 2. 엔진보기품 PART NO. T2

FIG 201 AIR CLEANER	45
FIG 202 RADIATOR	47
FIG 203 MUFFLER	49
FIG 204 FUEL TANK & HOSE	51
FIG 204 FUEL TANK & HOSE[SAP 가져오기]에서 생성함.	53
FIG 204A KIT No. : 12397090000	55
FIG 205 OIL COOLER	57

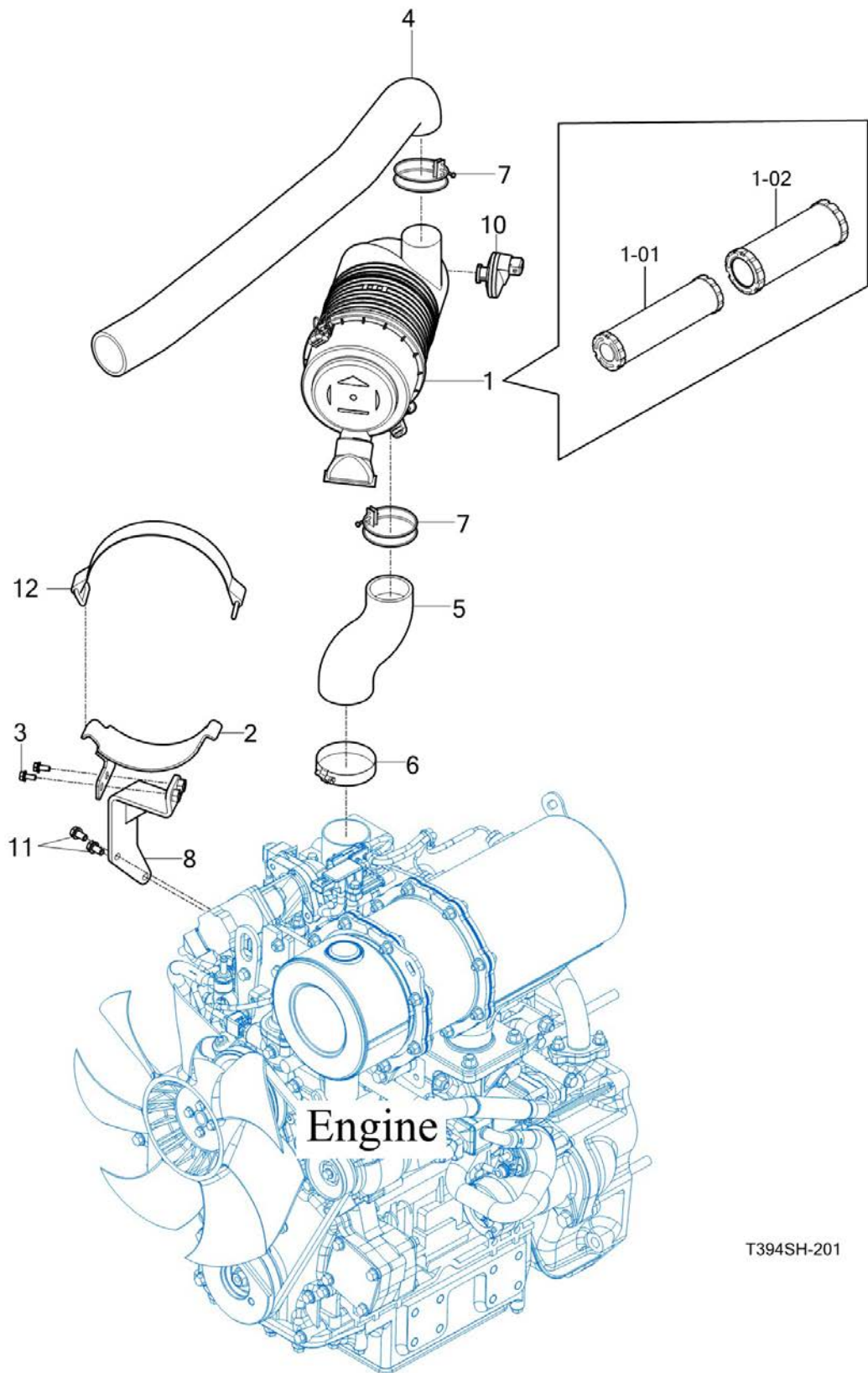
FIG 201

AIR CLEANER

년/월  
Year/Month

2022-12

T395SHEU



T394SH-201

NOTE



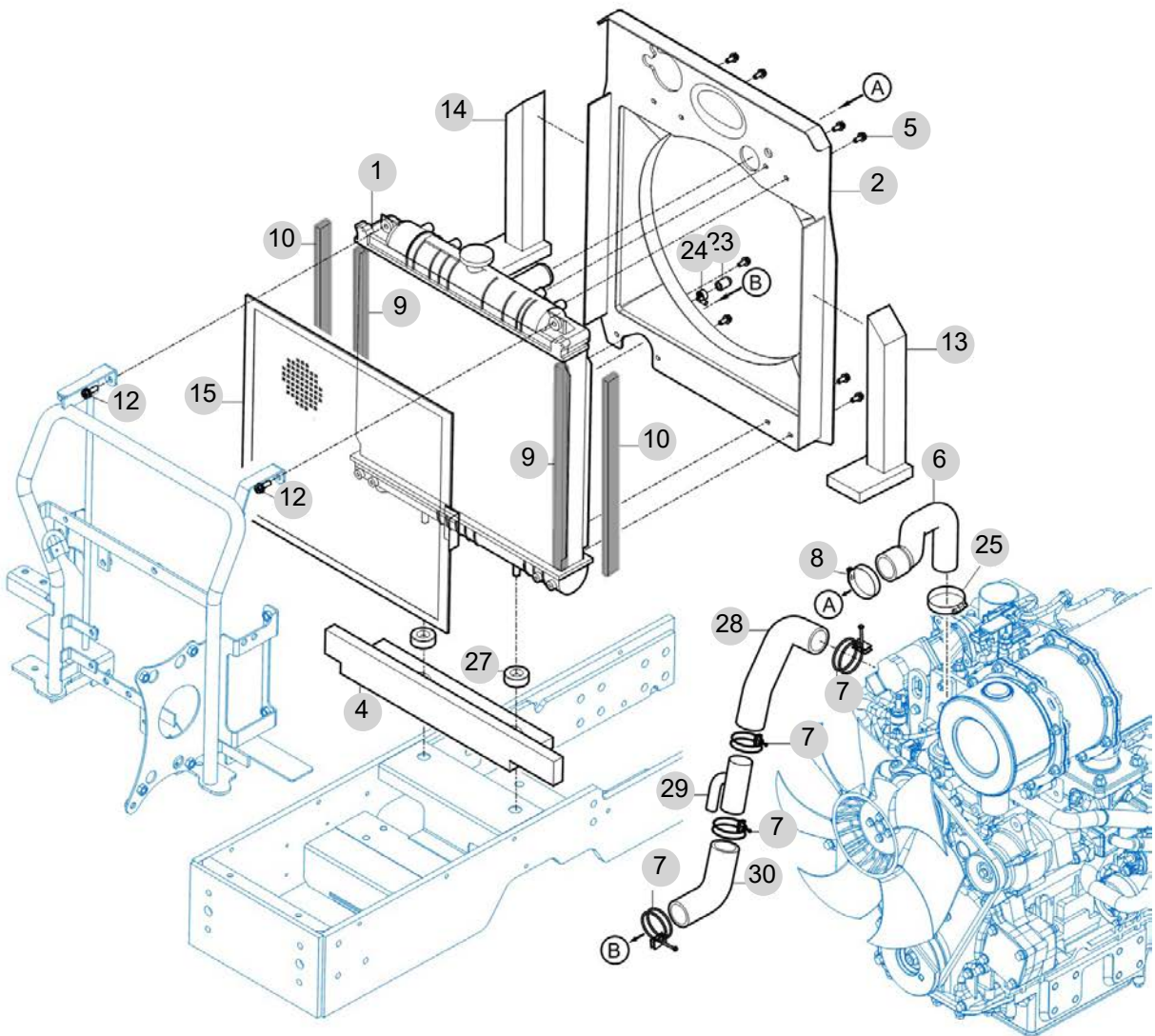
FIG 202

T395SHEU

RADIATOR

년/월  
Year/Month

2022-12



NOTE





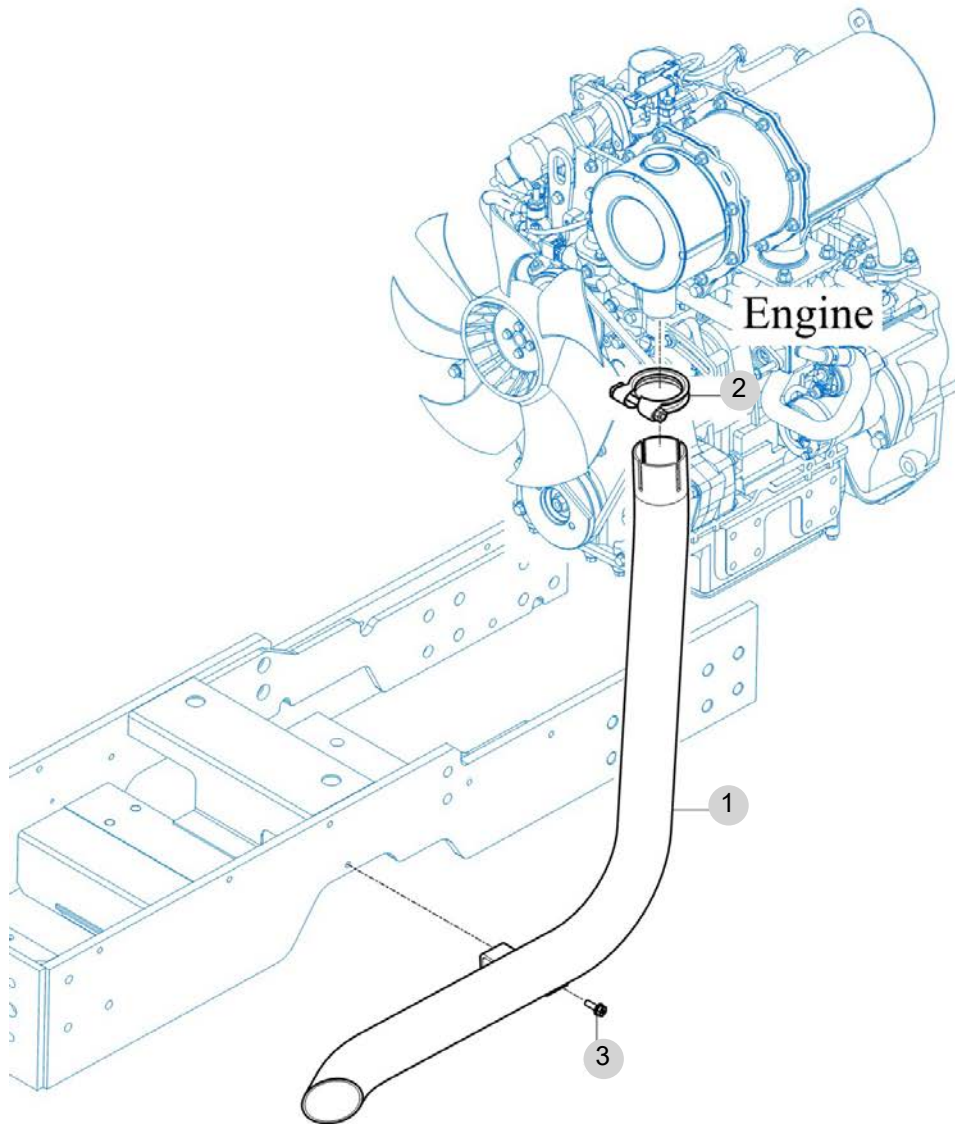
FIG 203

T395SHEU

MUFFLER

년/월  
Year/Month

2022-12



NOTE



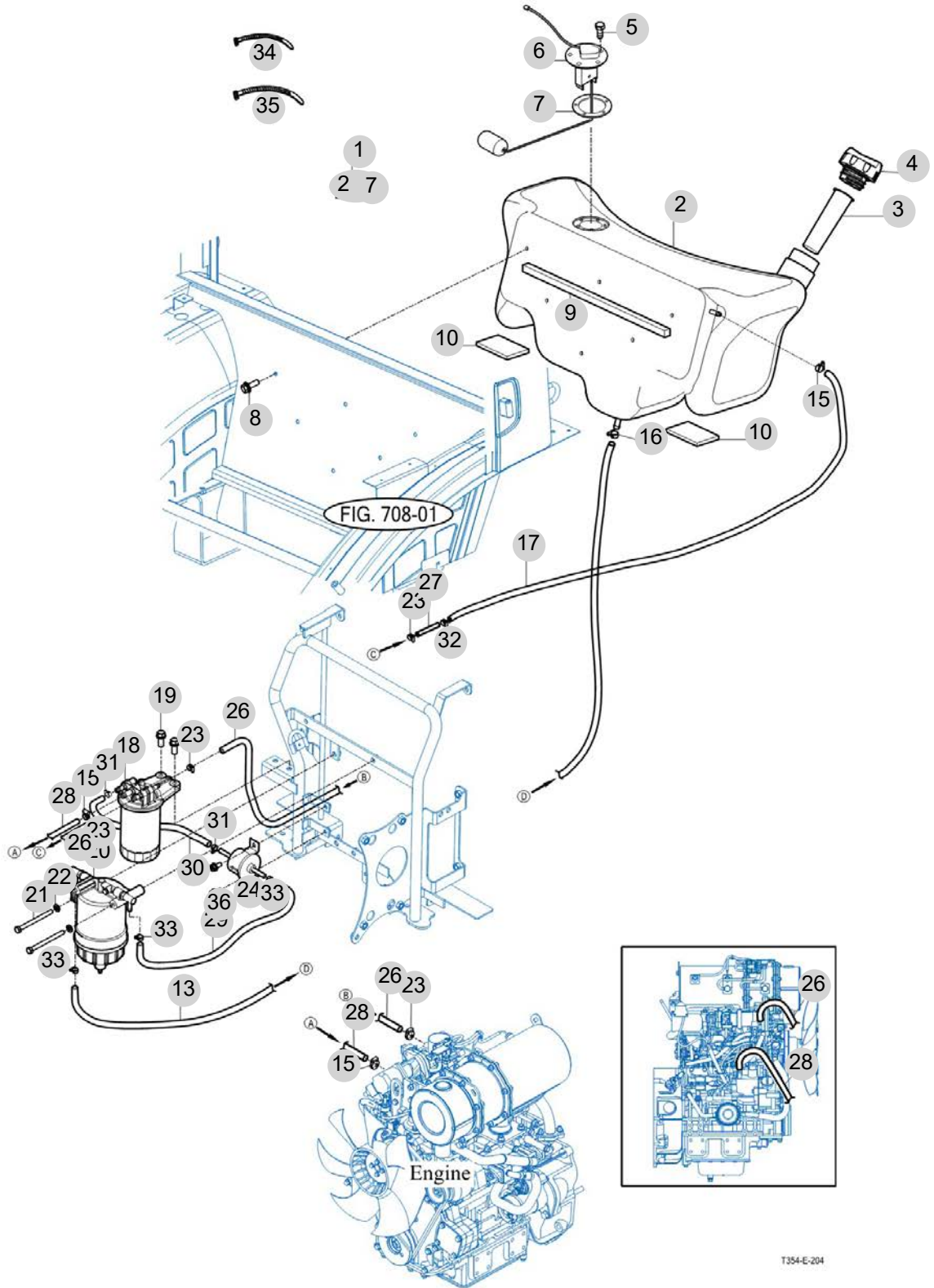
FIG 204

T395SHEU

FUEL TANK & HOSE

년/월  
Year/Month

2022-12



T354-E-204

NOTE



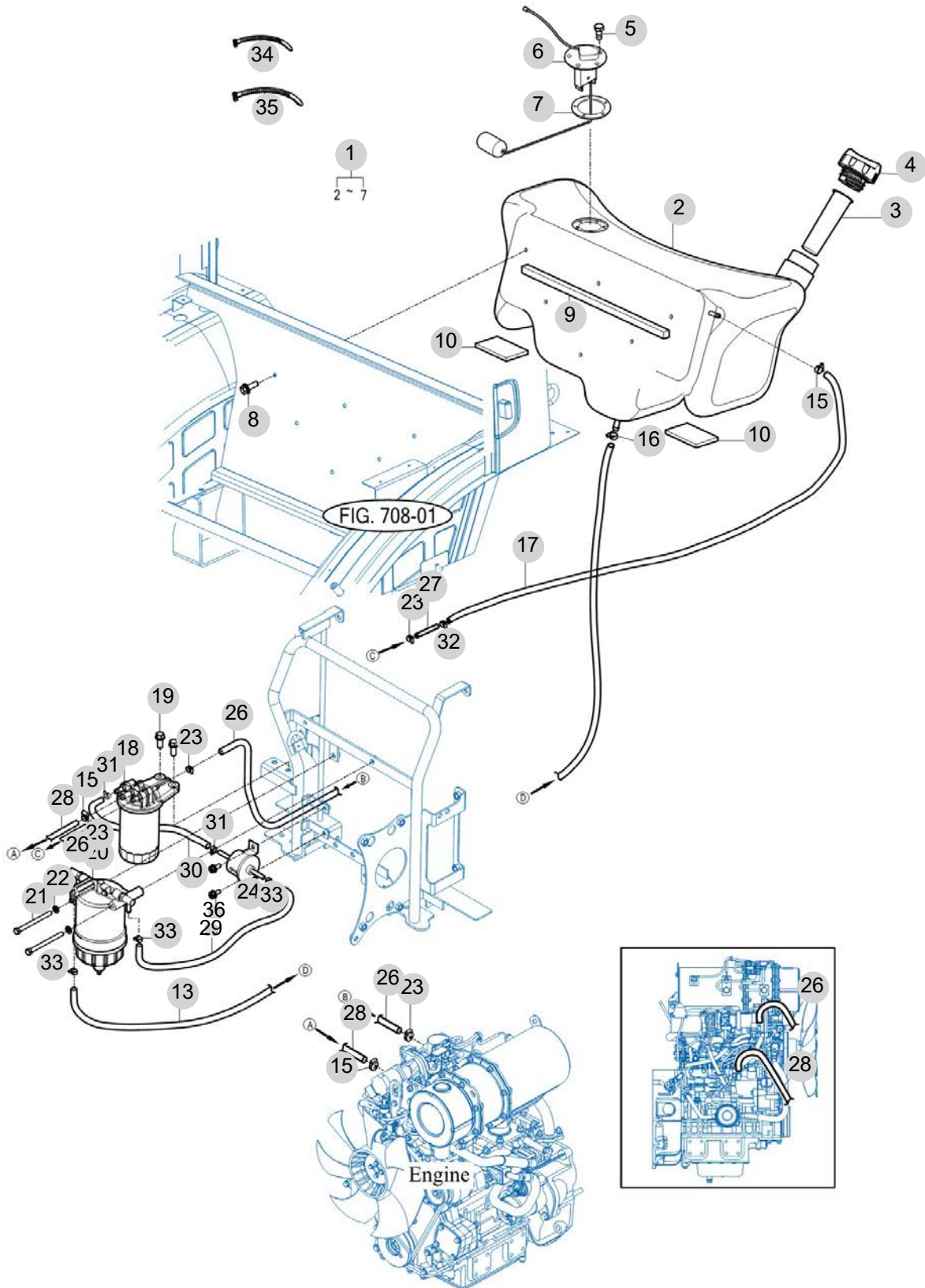
FIG 204

T395SHEU

FUEL TANK & HOSE[SAP 가져오기]에서 생성  
함.

년/월  
Year/Month

2022-12



NOTE



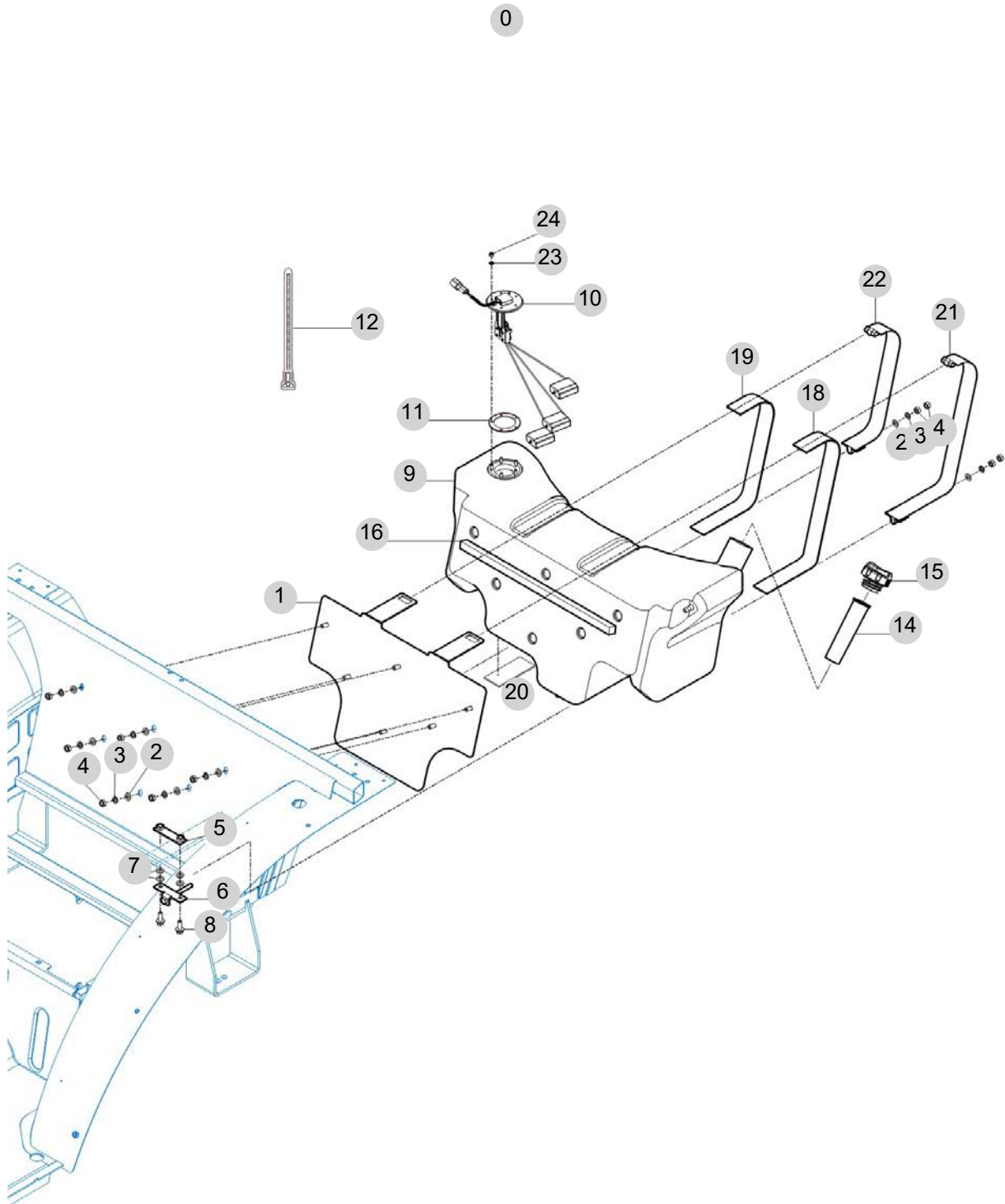
FIG 204A

T395SHEU

KIT No. : 12397090000

년/월  
Year/Month

2022-12



NOTE

FIG 204A T395SHEU	KIT No. : 12397090000	년/월 Year/Month
		2022-12

KEY NO	PART NO	DESCRIPTION	SPEC	QTY	REPAIR	EFFECTIVE DATE	REMARKS
204A	0	12397090000	38HP 연료탱크 누유 개선 KIT	1			
204A	1	12397092100	고정 브래킷 COMP	1			
204A	2	V4111600080	평와셔	8	M8		
204A	3	V4011600080	스프링와셔	8	M8		
204A	4	V3042600080	소형육각너트보통2종	10			
204A	5	12397092200	상부 고정 브래킷 COMP	1			
204A	6	12397092300	하부 고정 브래킷 COMP	1			
204A	7	V4111600080	평와셔	4	M8		
204A	8	V2173608025	소형육각볼트보통(S)	2	M8X25		
204A	9	12397010131	연료탱크	1			
204A	10	12396642300	게이지(연료) ASSY	1			
204A	11	16996210370	고무팩킹	1			
204A	12	13764020030	케이블타이(140)	3			
204A	14	12641112130	여과기	1			
204A	15	19143102200	연료캡 ASSY	1			
204A	16	12391042360	스폰지, 연료탱크	1			
204A	18	12397012820	스폰지, 좌	1			
204A	19	12397012800	스폰지, 우	1			
204A	20	12397012010	탱크 인슐레이터	1			
204A	21	12397092400GB	밴드 COMP, 좌/탱크	1			
204A	22	12397015300GB	밴드 COMP, 우/탱크	1			
204A	23	V4011600050	스프링와셔	5	M5		
204A	24	V3012600050	육각너트보통2종	5	M5		
NOTE							



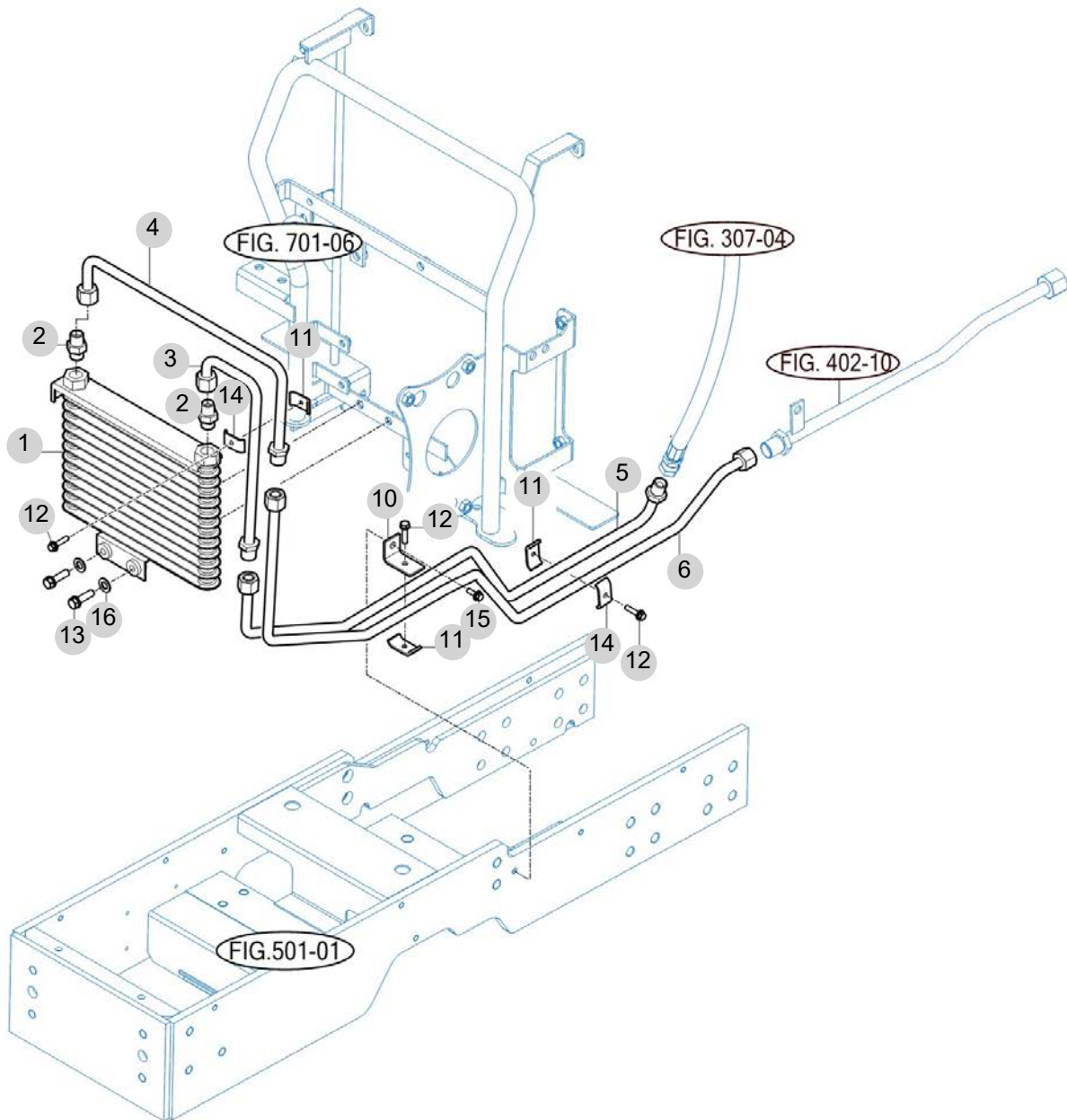
FIG 205

T395SHEU

OIL COOLER

년/월  
Year/Month

2022-12



NOTE



### 3. 클러치/브레이크/스티어링 PART NO. T3

FIG 302 BRAKE PEDAL	60
FIG 303 BRAKE	62
FIG 304 FRONT WHEEL MOUNTING	64
FIG 305 REAR WHEEL MOUNTING	66
FIG 306 STEERING WHEEL & DASH COVER	68
FIG 307 STEERING VALVE & TILT	70
FIG 308 STEERING CYLINDER	72

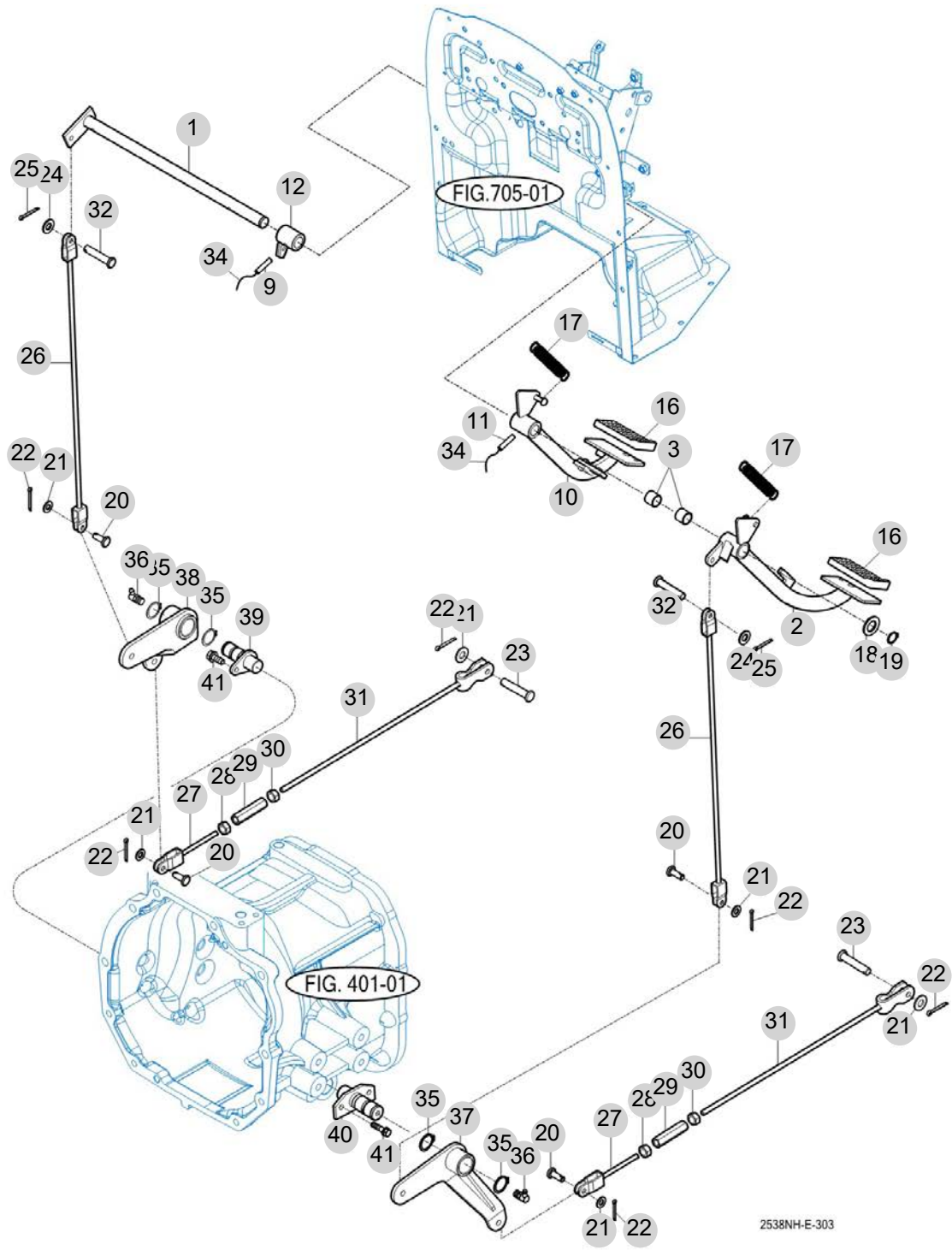
FIG 302

T395SHEU

BRAKE PEDAL

년/월  
Year/Month

2022-12



2538NH-E-303

NOTE



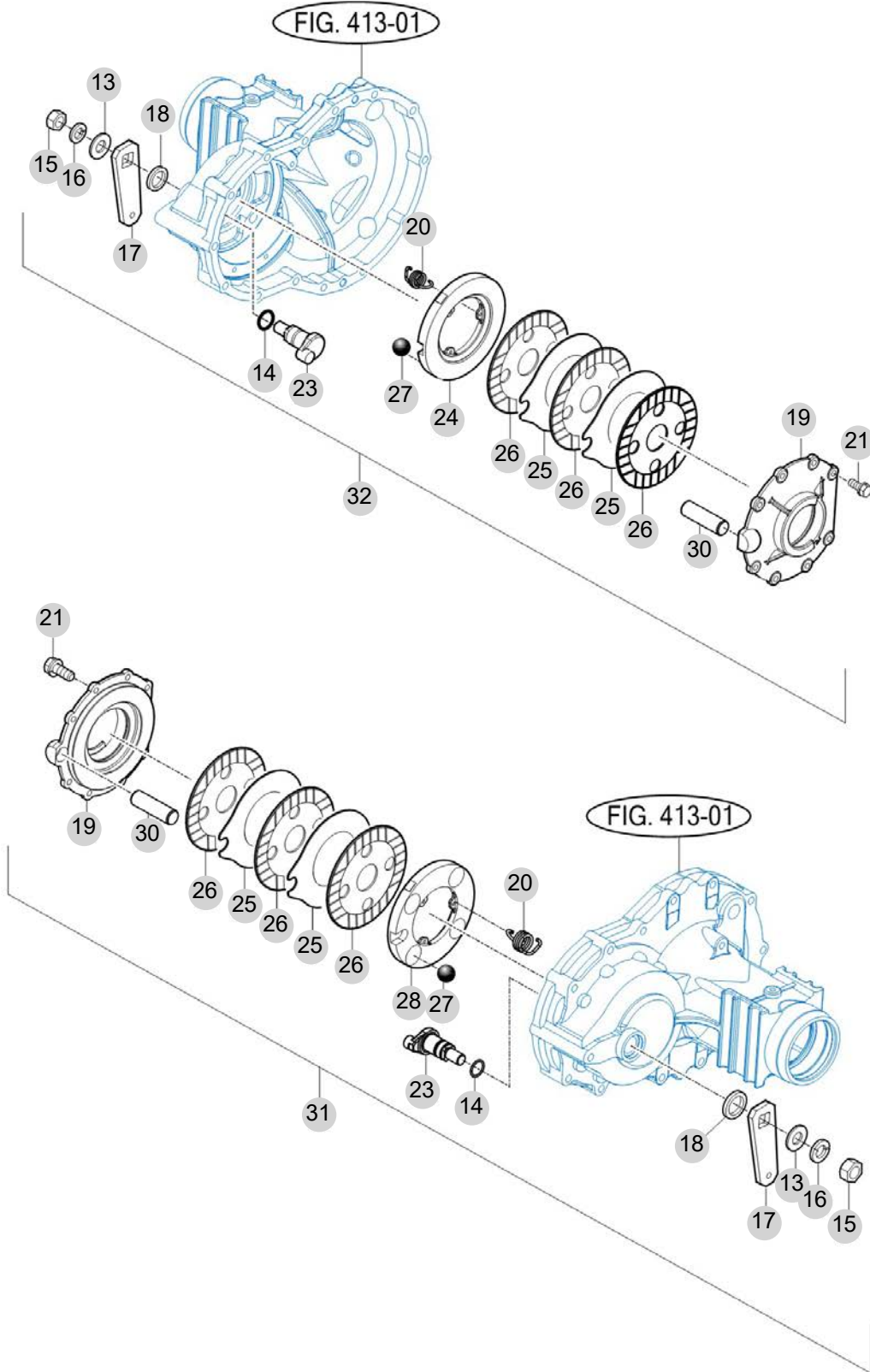
FIG 303

T395SHEU

BRAKE

년/월  
Year/Month

2022-12



NOTE



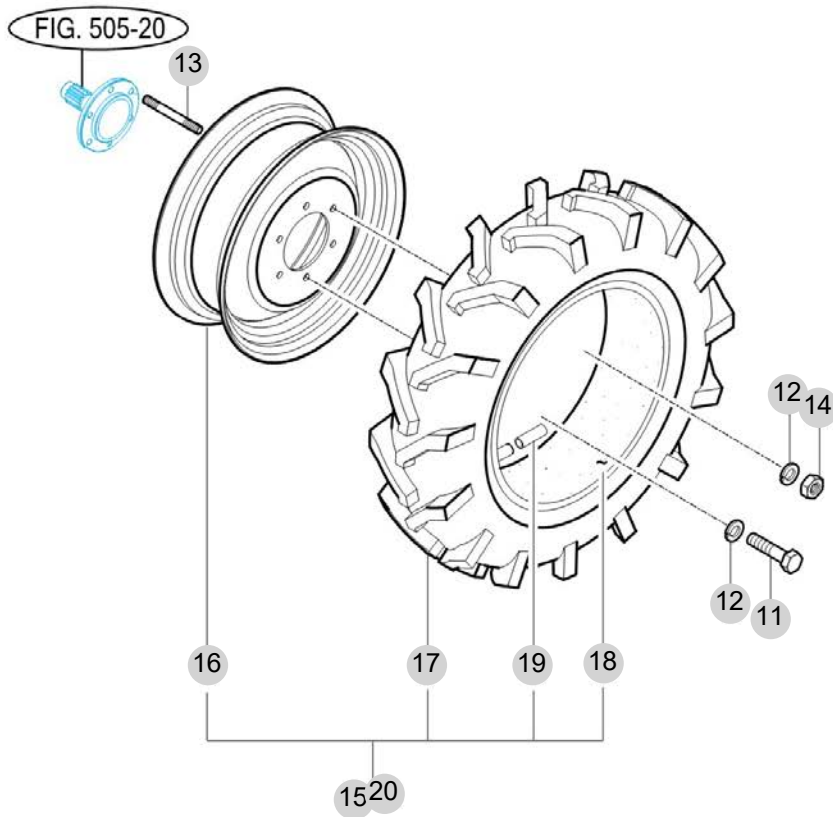
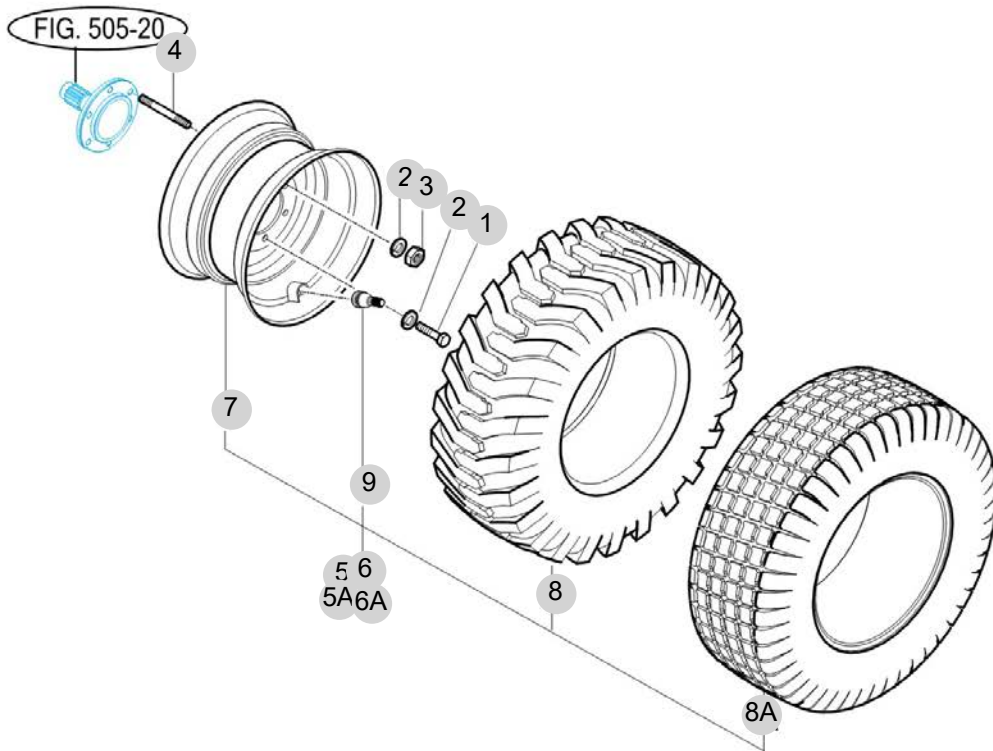
FIG 304

T395SHEU

FRONT WHEEL MOUNTING

년/월  
Year/Month

2022-12



T384-E-304

NOTE





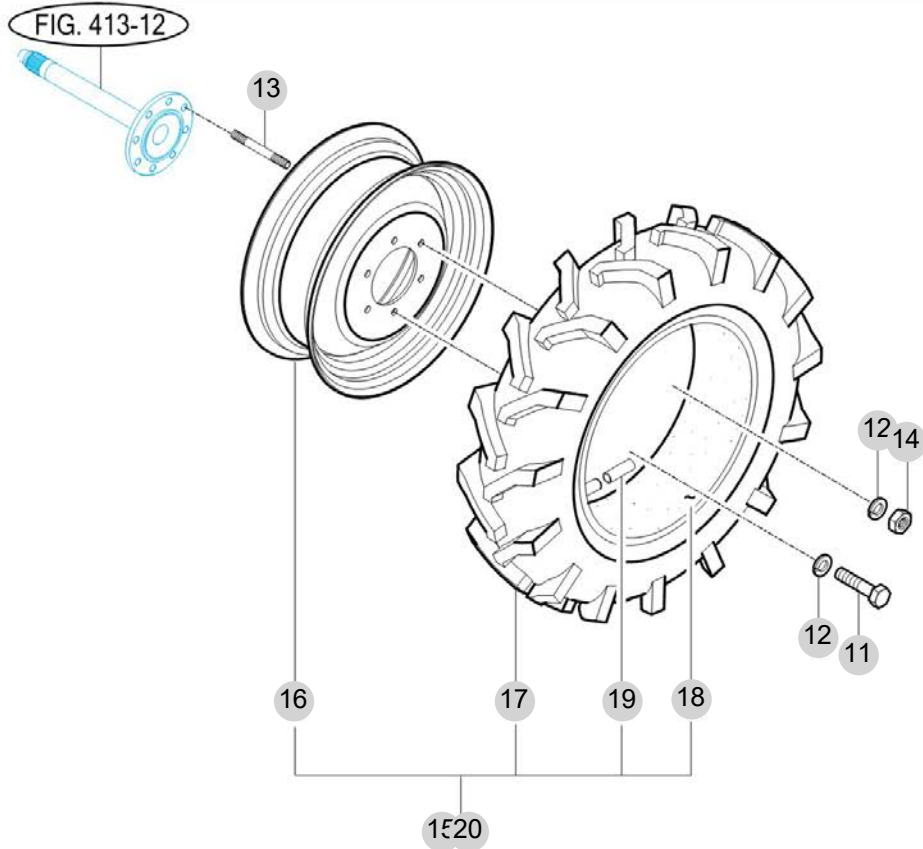
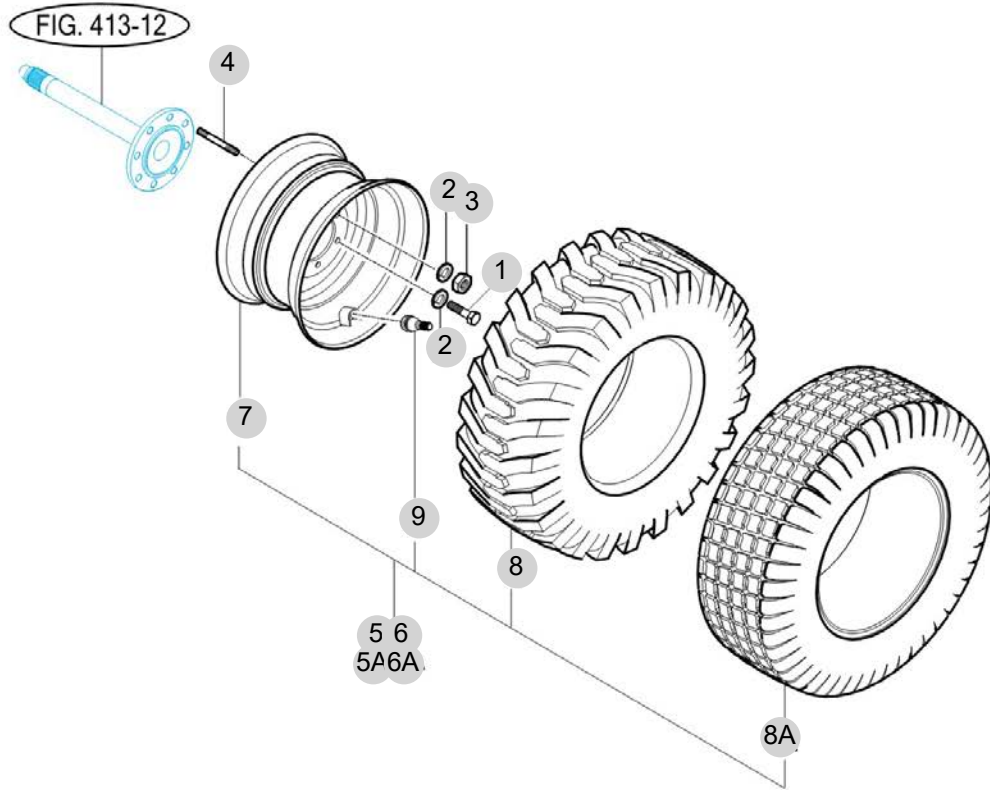
FIG 305

T395SHEU

# REAR WHEEL MOUNTING

년/월  
Year/Month

2022-12



T384-E-305

NOTE



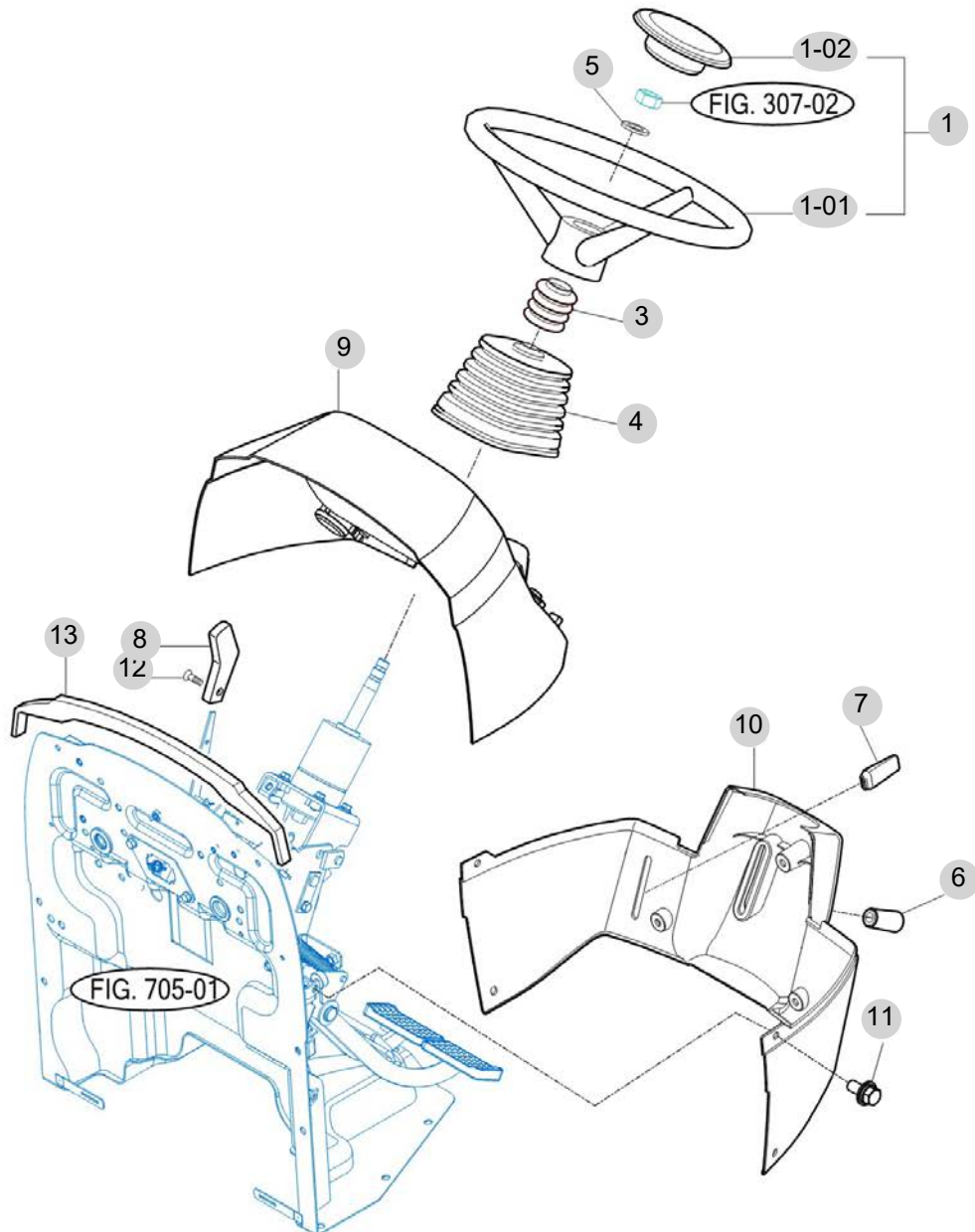
FIG 306

T395SHEU

STEERING WHEEL & DASH COVER

년/월  
Year/Month

2022-12



T394SH-E-306

NOTE



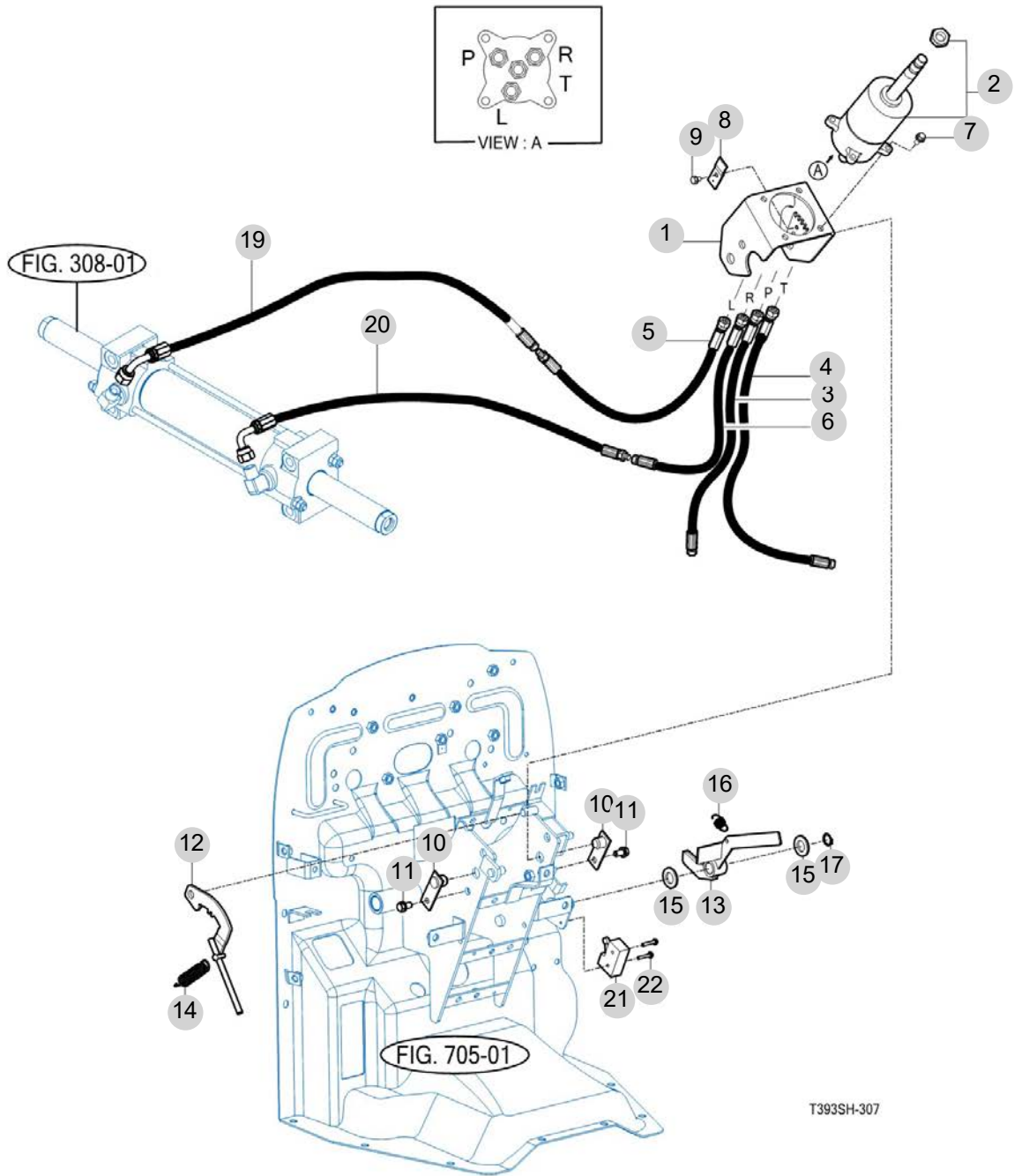
FIG 307

T395SHEU

STEERING VALVE & TILT

년/월  
Year/Month

2022-12



NOTE



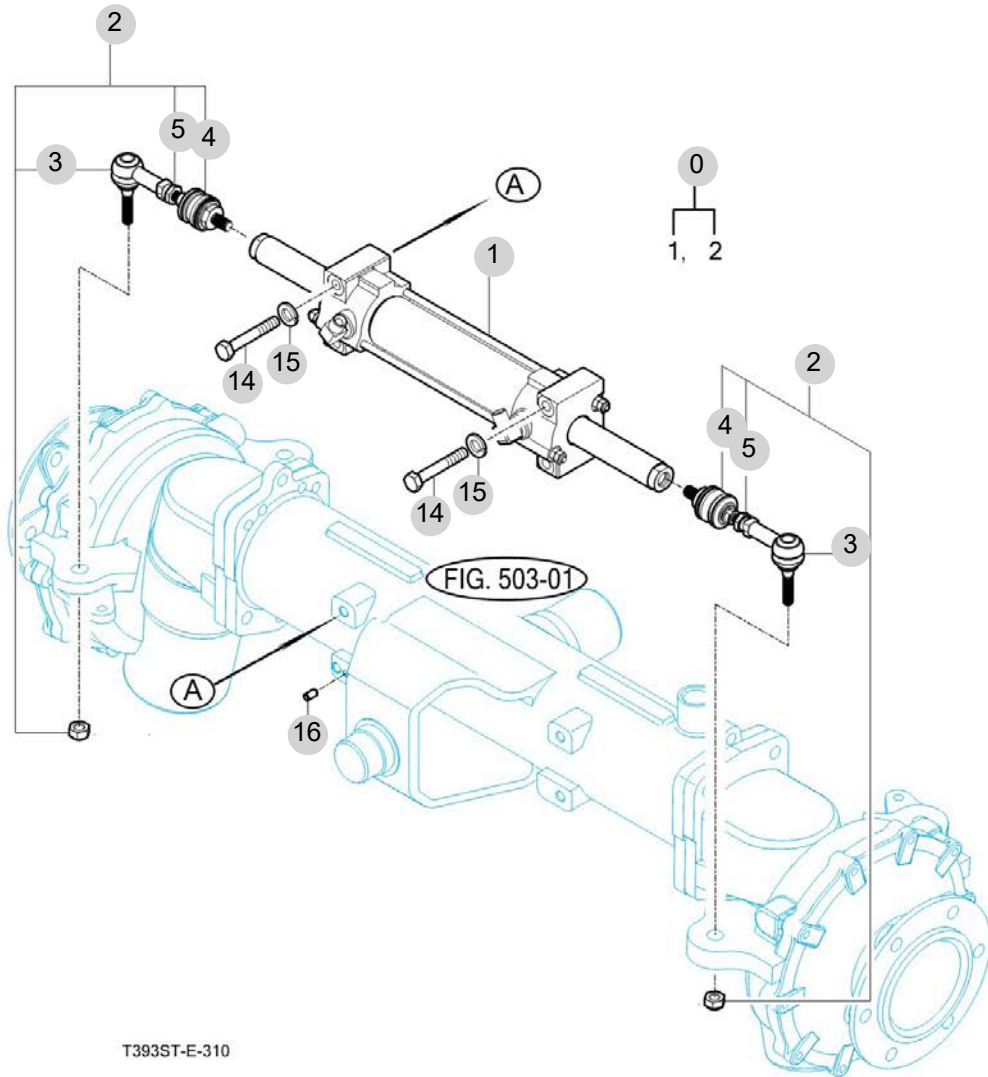
FIG 308

T395SHEU

STEERING CYLINDER

년/월  
Year/Month

2022-12



T393ST-E-310

NOTE





## 4. 트랜스미션 PART NO. T4

FIG 401 TRANSMISSION FRONT CASE	75
FIG 402 HST	77
FIG 403 MID CASE	79
FIG 404 4WD DRIVE GEAR	81
FIG 405 INPUT GEAR	83
FIG 406 SUB CHANGE GEARS	85
FIG 407 PINION GEARS	87
FIG 408 P.T.O DRIVE SHAFT	89
FIG 409 P.T.O CHANGE GEARS	91
FIG 410 DIFF LOCK	94
FIG 411 TRANSMISSION REAR CASE	96
FIG 412 REAR AXLE HOUSINGS (1)	98
FIG 413 REAR AXLE HOUSINGS (2)	100
FIG 414 MID P.T.O GEARS	102
FIG 415 SUB CHANGE LEVER	104
FIG 416 FORWARD & REVERSE CONTROL LINKAGE	106
FIG 417 CRUISE CONTROL	108
FIG 418 4WD CHANGE LEVER	110

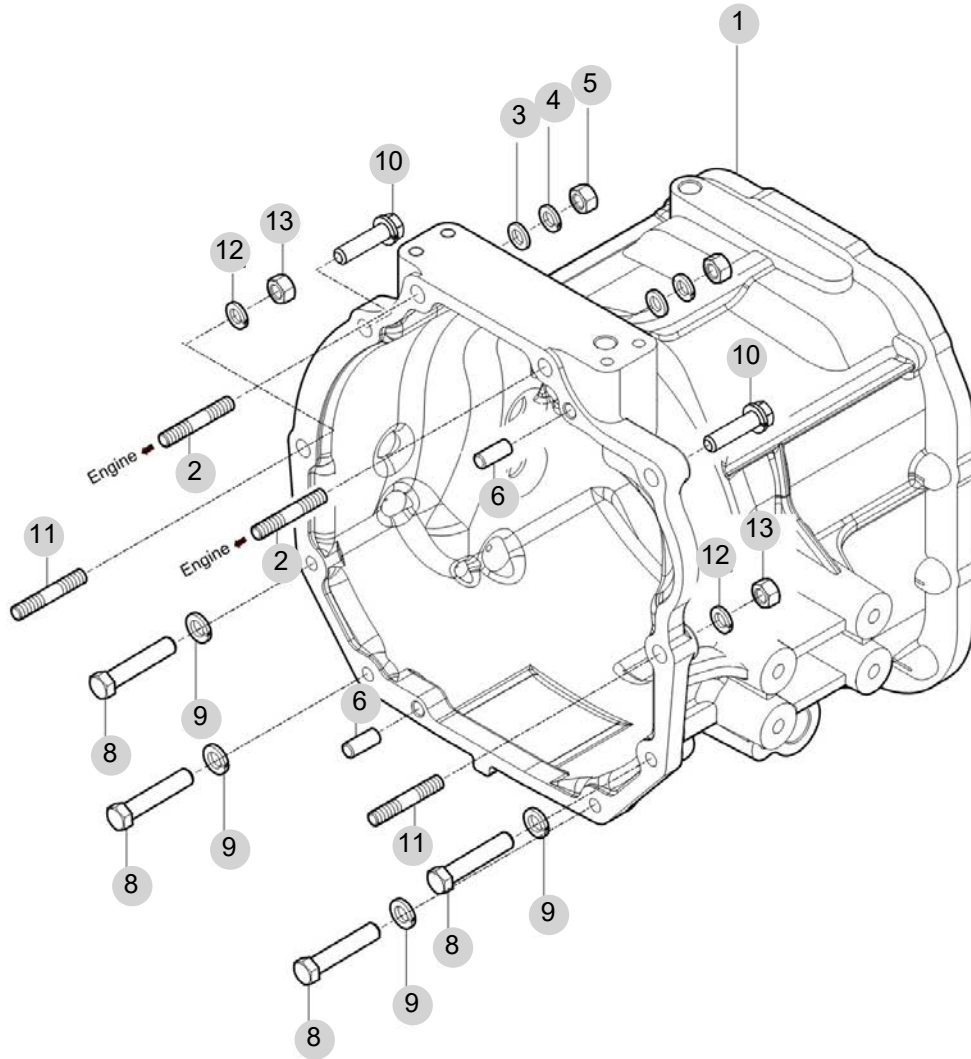
FIG 401

T395SHEU

TRANSMISSION FRONT CASE

년/월  
Year/Month

2022-12



T384NH-E-401

NOTE



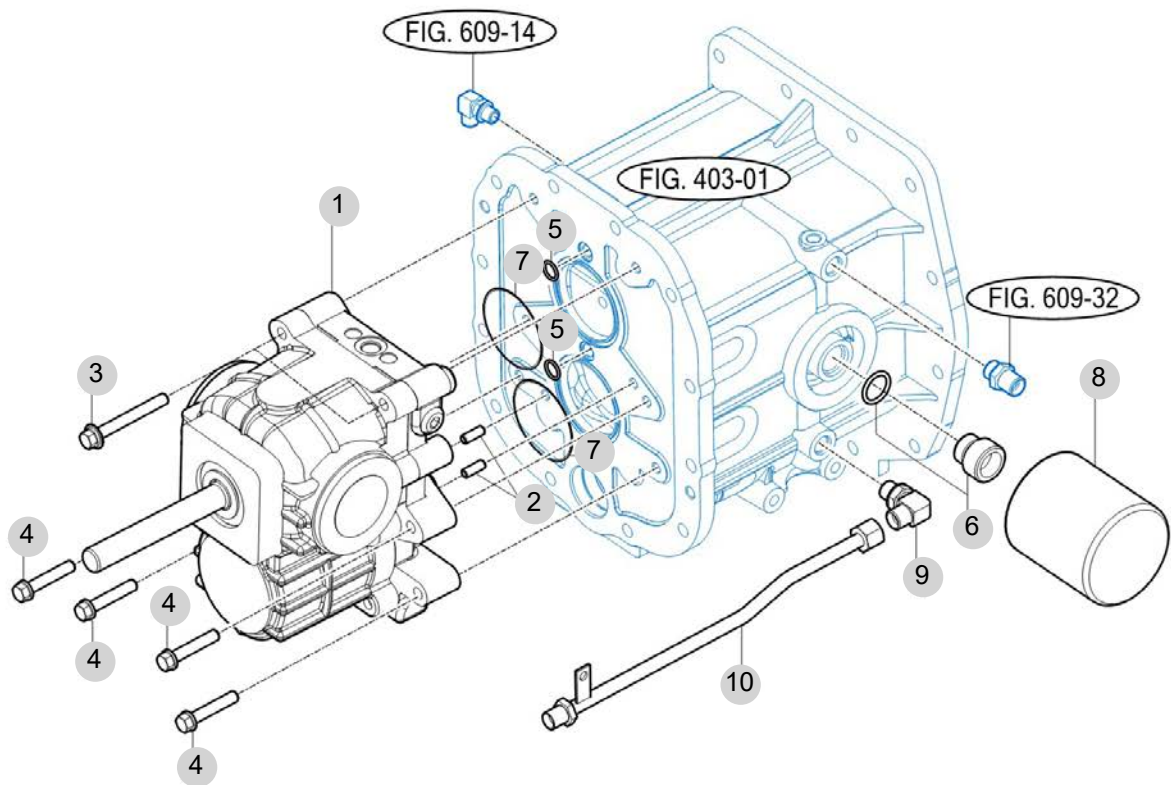
FIG 402

T395SHEU

HST

년/월  
Year/Month

2022-12



NOTE



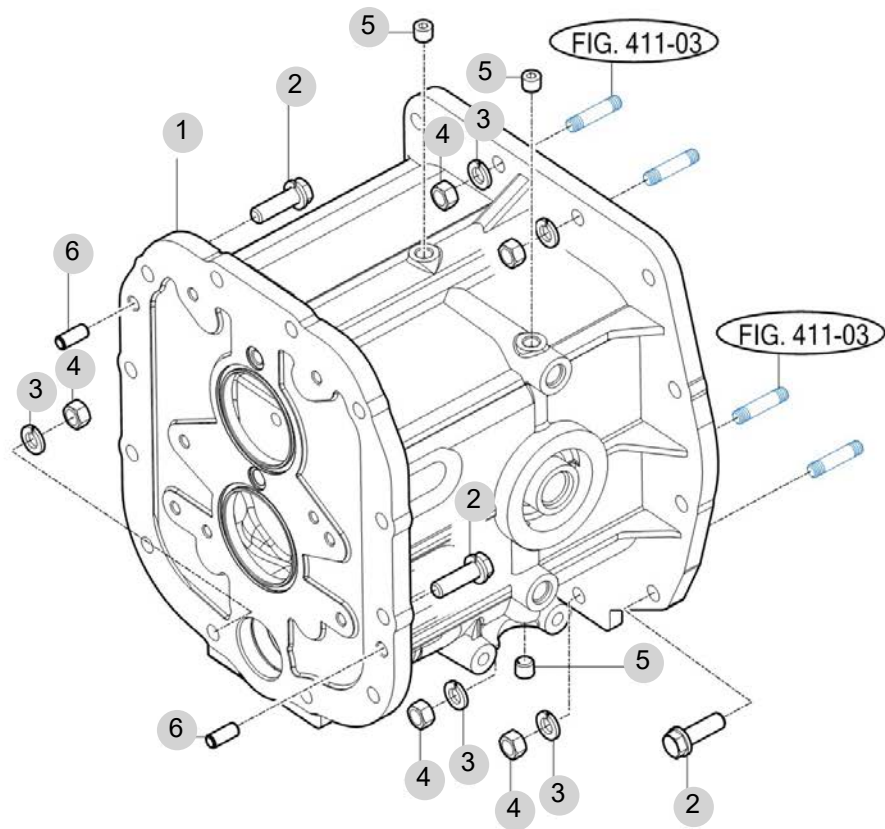
FIG 403

T395SHEU

MID CASE

년/월  
Year/Month

2022-12



NOTE





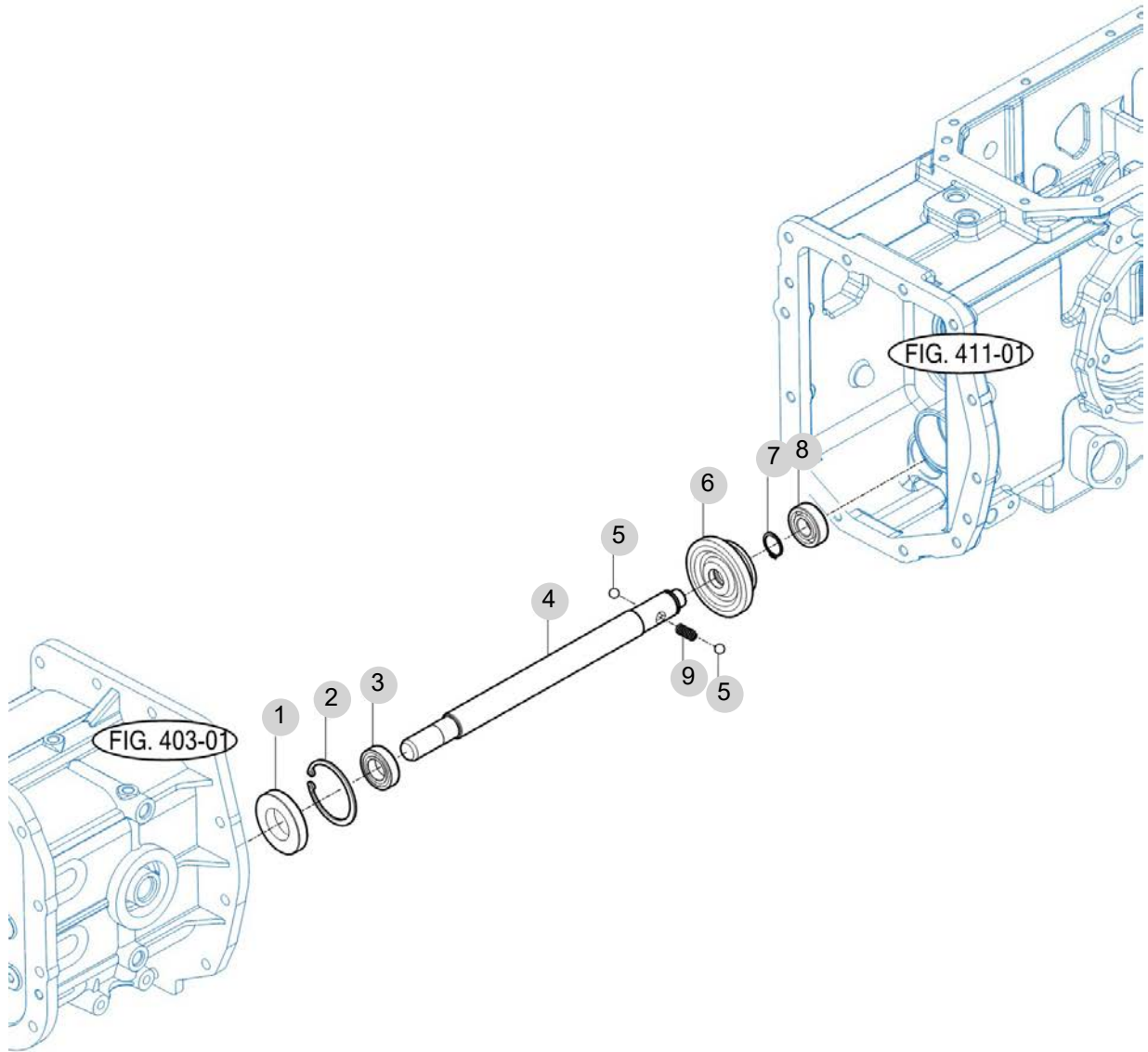
FIG 404

T395SHEU

4WD DRIVE GEAR

년/월  
Year/Month

2022-12



NOTE



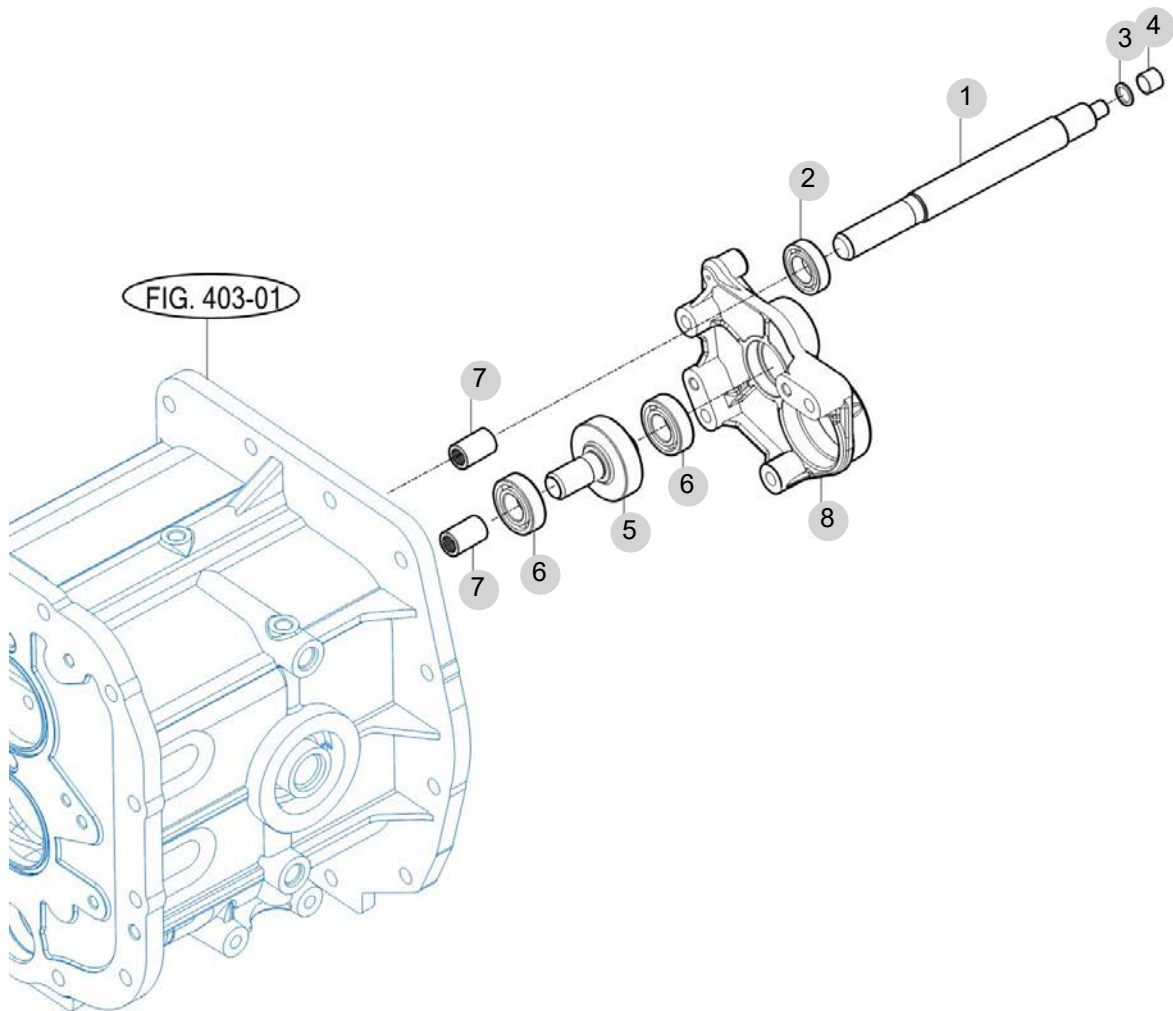
FIG 405

T395SHEU

INPUT GEAR

년/월  
Year/Month

2022-12



NOTE



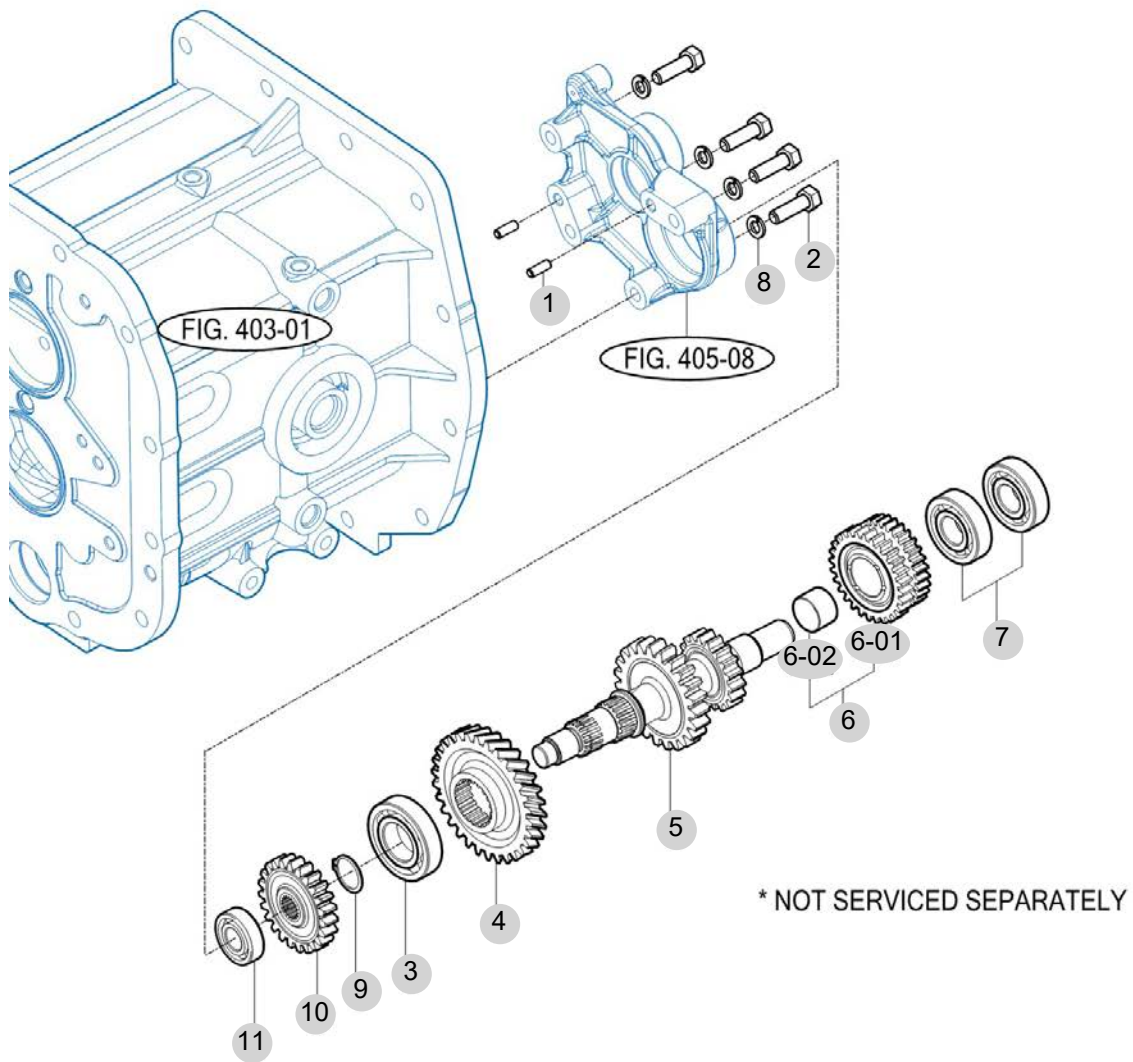
FIG 406

T395SHEU

SUB CHANGE GEARS

년/월  
Year/Month

2022-12



2538NH-E-406

NOTE



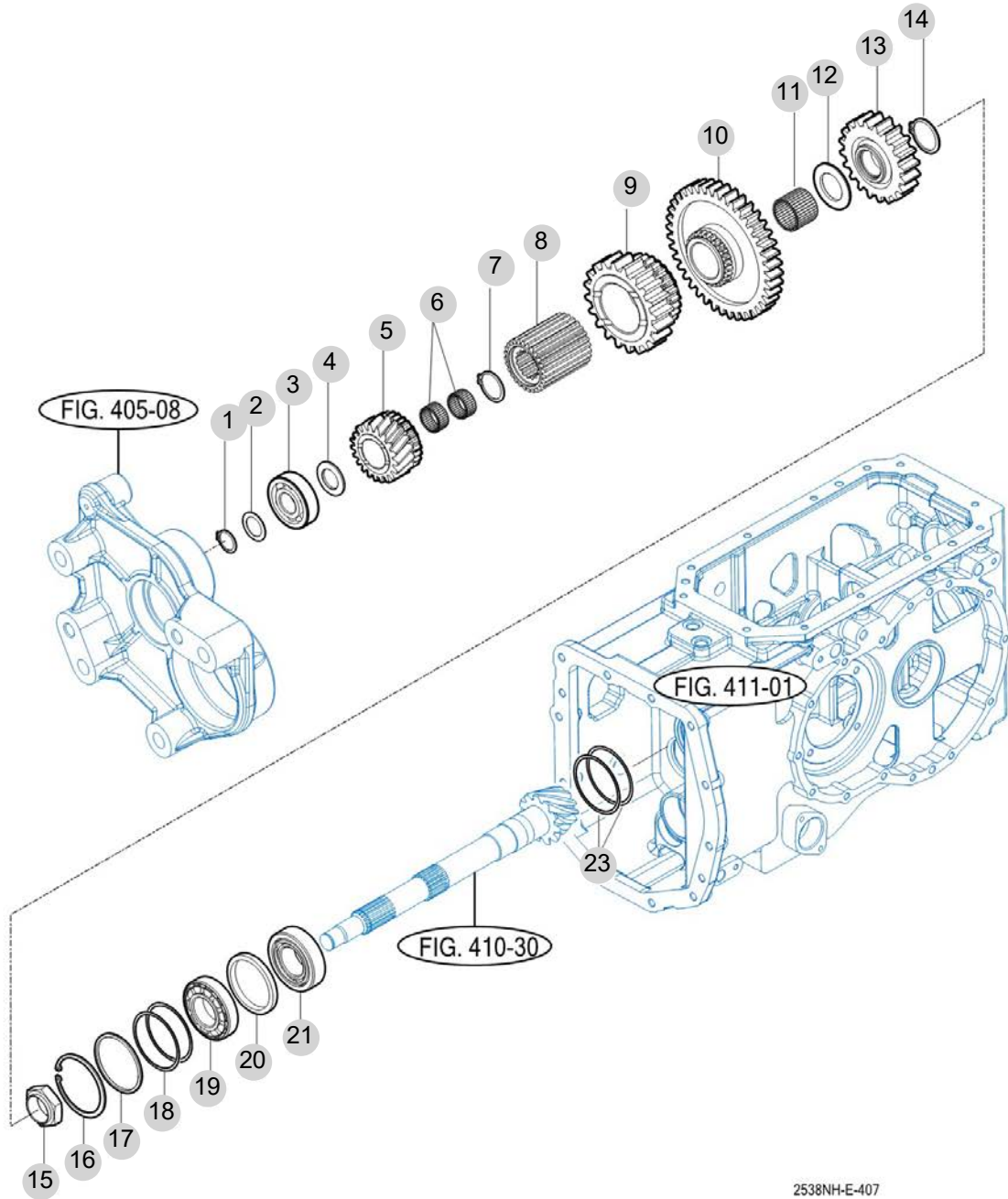
FIG 407

T395SHEU

PINION GEARS

년/월  
Year/Month

2022-12



2538NH-E-407

NOTE





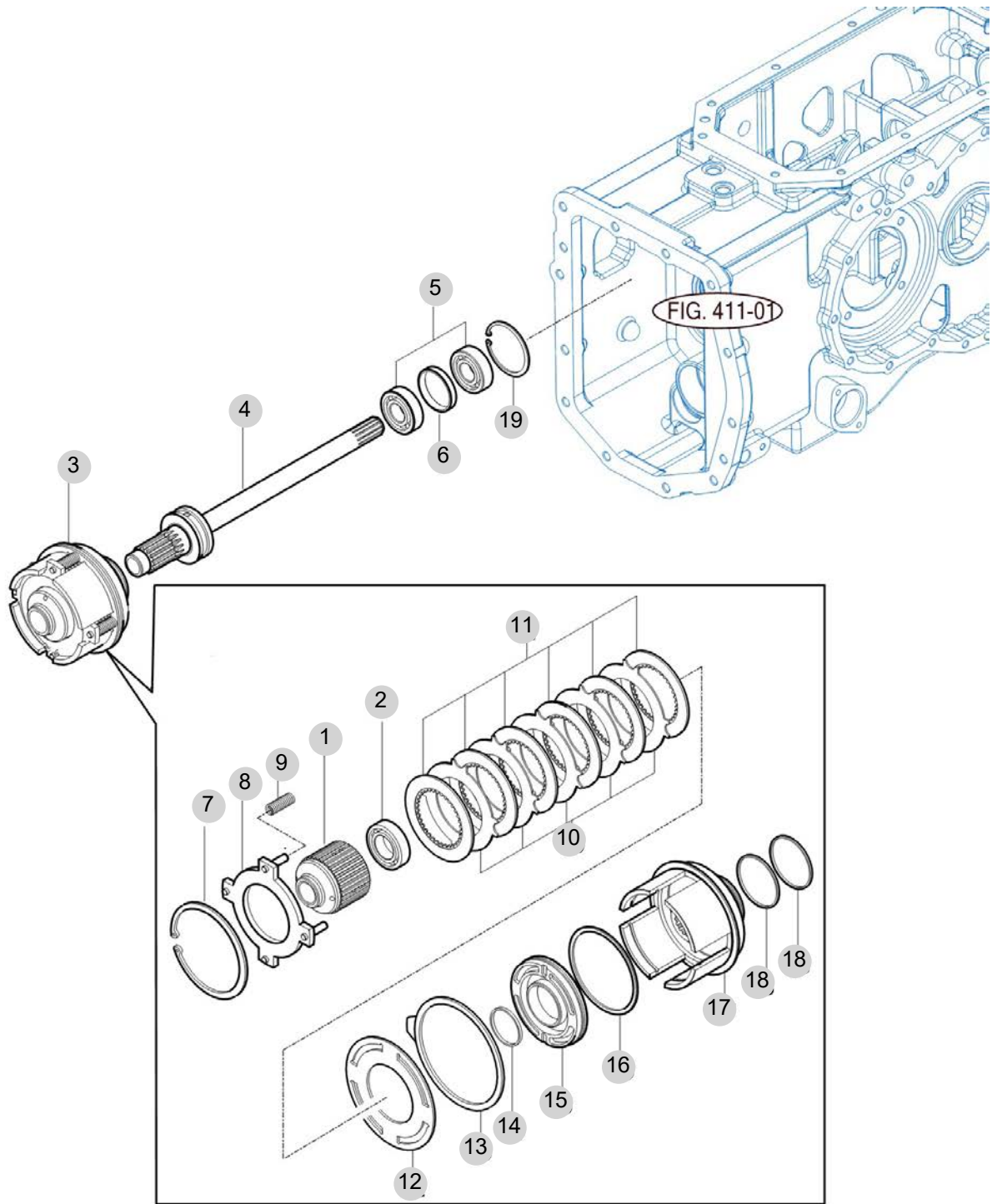
FIG 408

T395SHEU

P.T.O DRIVE SHAFT

년/월  
Year/Month

2022-12



T303/353NC-E-408

NOTE



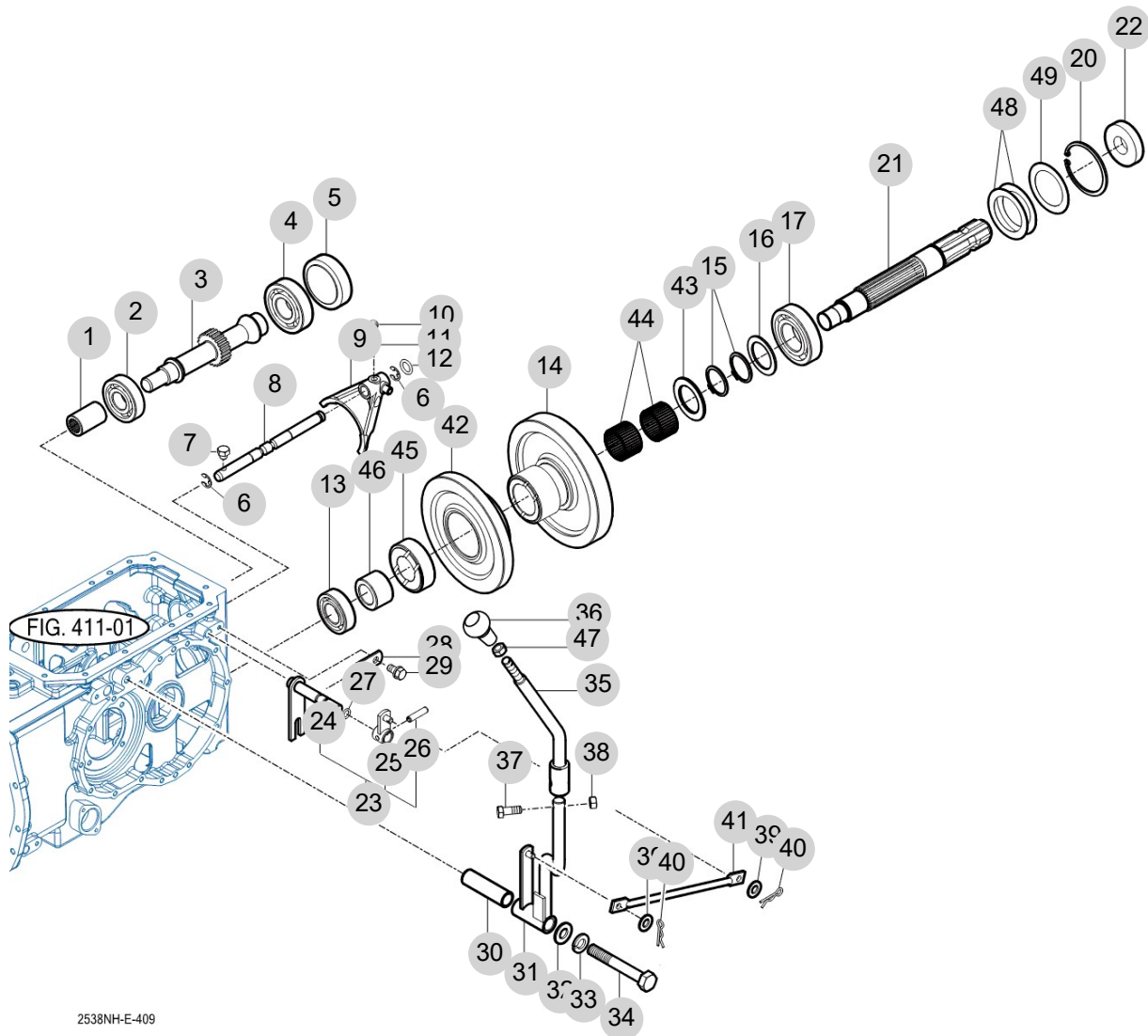
FIG 409

T395SHEU

P.T.O CHANGE GEARS

년/월  
Year/Month

2022-12



NOTE

FIG 409		P.T.O CHANGE GEARS					년/월 Year/Month		
							2022-12		
T395SHEU		KEY NO	PART NO	DESCRIPTION	SPEC	QTY	REPAIR	EFFECTIVE DATE	REMARKS
409	1	14211340190	커플링			1			
409	2	V6001106305	볼베어링		6305	1			
409	3	12352543530	PTO 카운트 축			1			
409	4	V6001106306	볼베어링		6306	1			
409	5	14254330180	캡(72)			1			
409	6	V7081400100	E형멈춤링		Ø10	2			
409	7	15602231610	볼트(셋트/M8X16)			1			
409	8	12382540020	PTO 스테이			1			
409	9	16702540011M	포크(PTO)			1			
409	10	V6802000010	강구		5/16	1			
409	11	13022250030	시프터스프링			1			
409	12	V7201024010	O링(P)		P10	1			
409	13	V6001106205	볼베어링		6205	1			
409	14	12352530020	PTO 기어(54)			1			
409	15	V7041400350	C형멈춤링(축용)		Ø35	2			
409	16	14443140041	칼라(35X50X2)			1			
409	17	V6001106207	볼베어링		6207	1			
409	20	V7051400720	C형멈춤링(구멍용)		Ø72	1			
409	21	12382530010	PTO 샤프트			1			
409	22	16322732000	씰(오일) ASSY			1			
409	23	16702555102	리어 PTO 후크 SET			1			
409	24	16702542102	리어 PTO 후크 COMP			1			
409	25	16702432201	암(부변속) COMP			1			
409	26	V5801406025	스프링핀		6X25	1			
409	27	V7201024012	O링(P)		P12	1			
409	28	16702230371	플레이트			1			
409	29	V2173608016	소형육각볼트보통(S)		M8X16	1			
409	30	16702440070	허브(13X17X61)			1			
409	31	16702552103	PTO 레버 ,하 COMP			1			
409	32	V4111600120	평와셔		M12	1			
409	33	V4011600120	스프링와셔		M12	1			
409	34	V2013612085	소형육각볼트(보통)		M12X85	1			
409	35	16702552202GB	PTO레버(상)COMP			1			
409	36	16992190102	그립(PTO)			1			
409	36	19682190100	그립(PTO)			1			
409	37	V2013608035	소형육각볼트(보통)		M8X35	1			
409	38	V3042600080	소형육각너트보통2종		M8	1			
409	39	V4111600080	평와셔		M8	2			
409	40	V5601600008	스냅핀		8	2			
409	41	16702553100	로드(236)			1			
409	42	12382530030	스퍼 기어(41)			1			
409	43	15642730082	와셔(35X55X03)		D=55	1			
409	44	V6544354026	니들베어링(케이지)			2			
409	45	15642730052	허브(35X62X20)			1			
409	46	12382530040	와셔(25X40X26)		D=40	1			
NOTE									



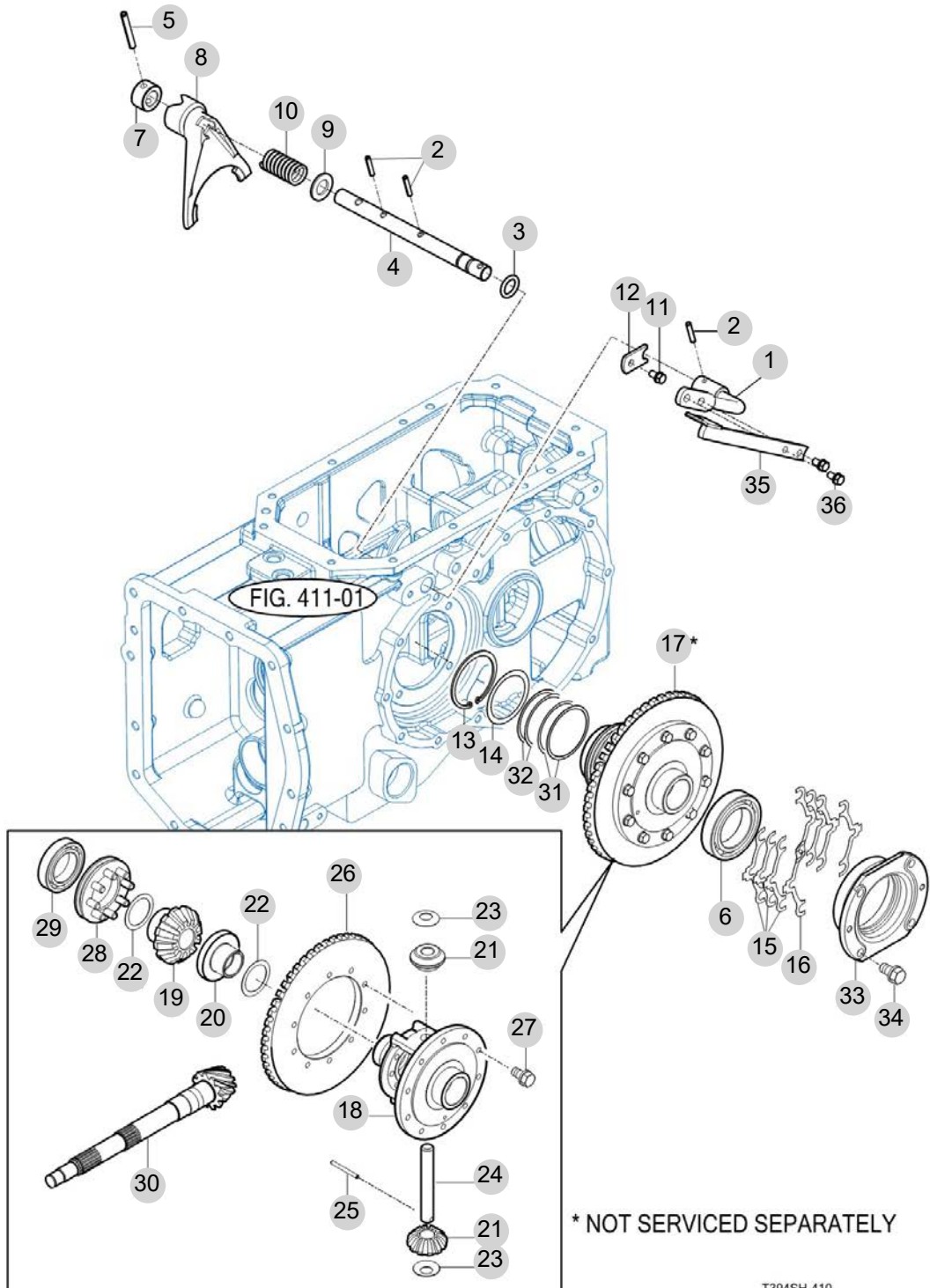
FIG 410

T395SHEU

DIFF LOCK

년/월  
Year/Month

2022-12



T394SH-410

NOTE



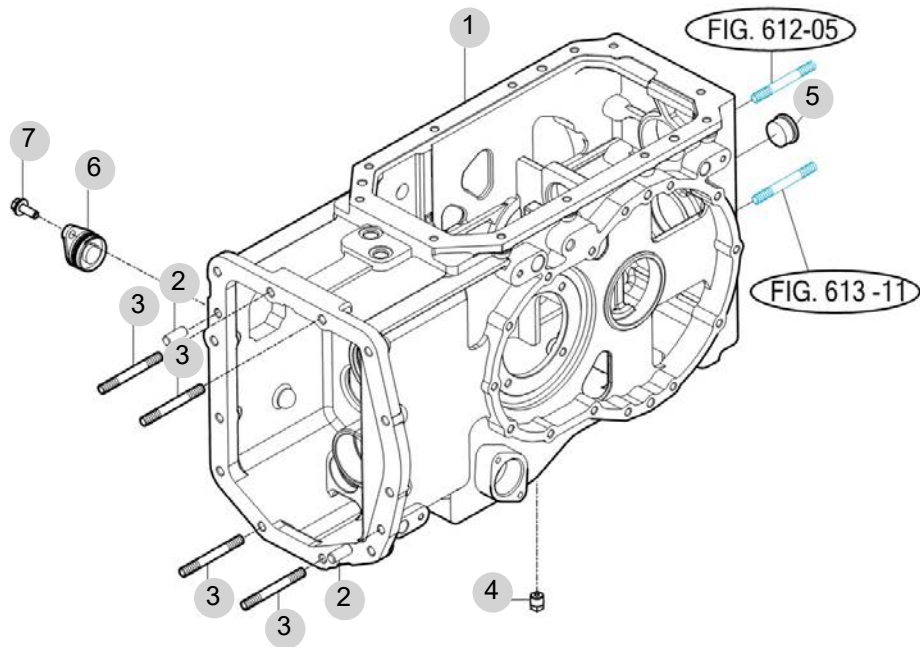
FIG 411

T395SHEU

TRANSMISSION REAR CASE

년/월  
Year/Month

2022-12



T394NH-E-411

NOTE





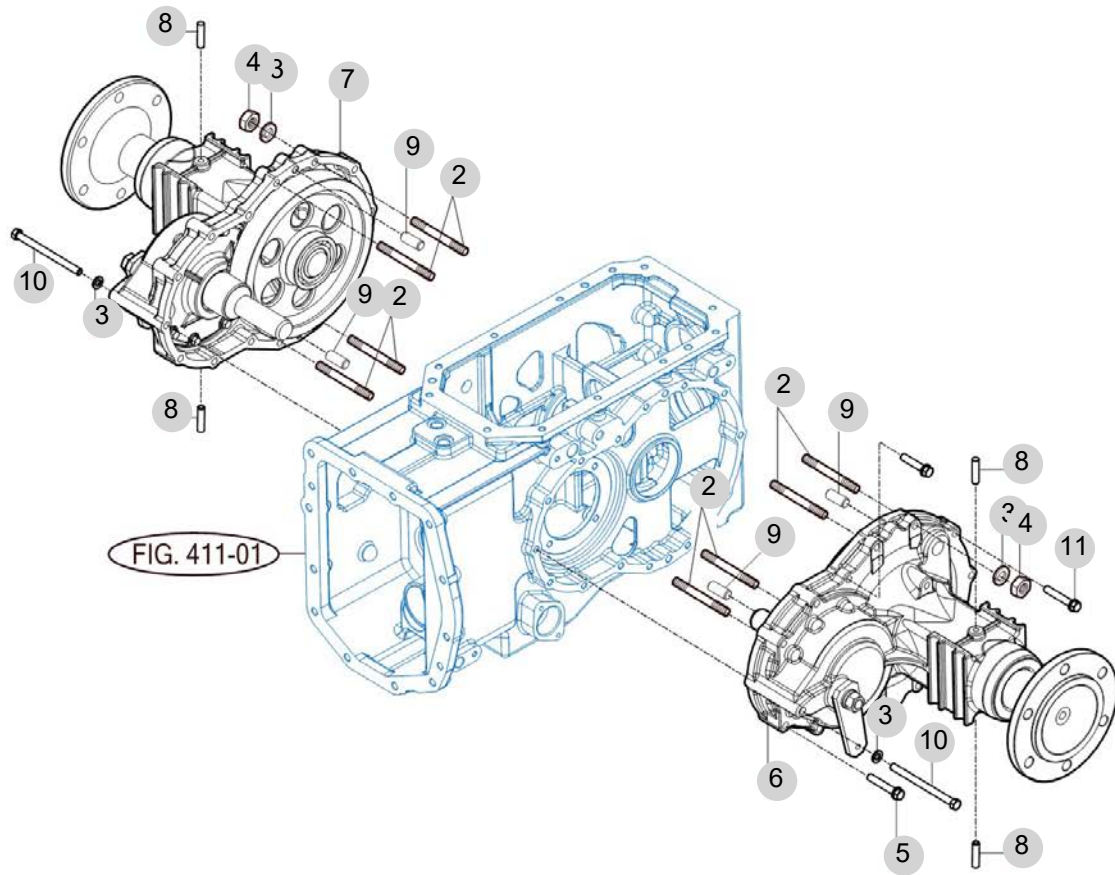
FIG 412

T395SHEU

REAR AXLE HOUSINGS (1)

년/월  
Year/Month

2022-12



2538NH-E-412

NOTE



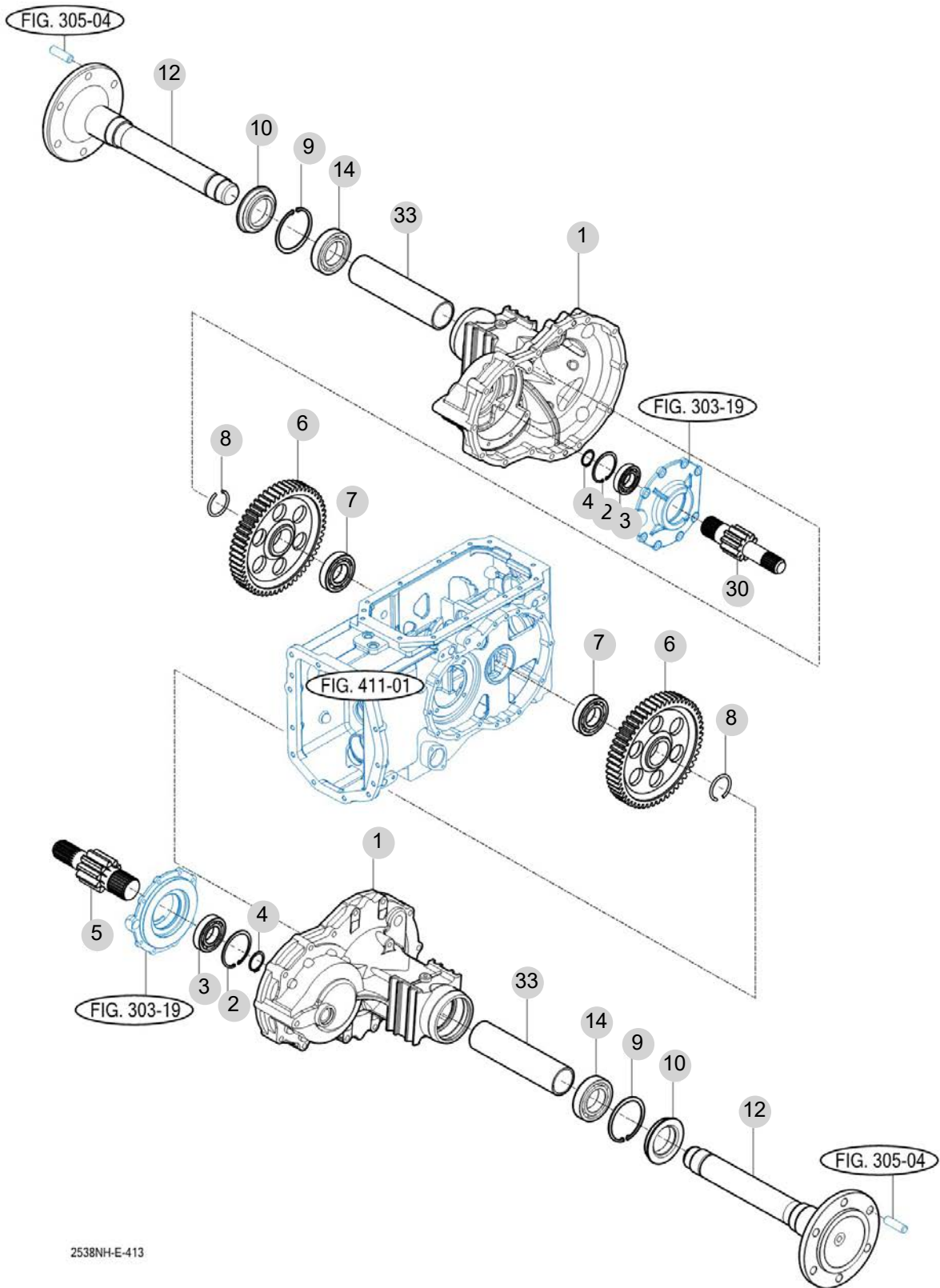
FIG 413

T395SHEU

REAR AXLE HOUSINGS (2)

년/월  
Year/Month

2022-12



2538NH-E-413

NOTE



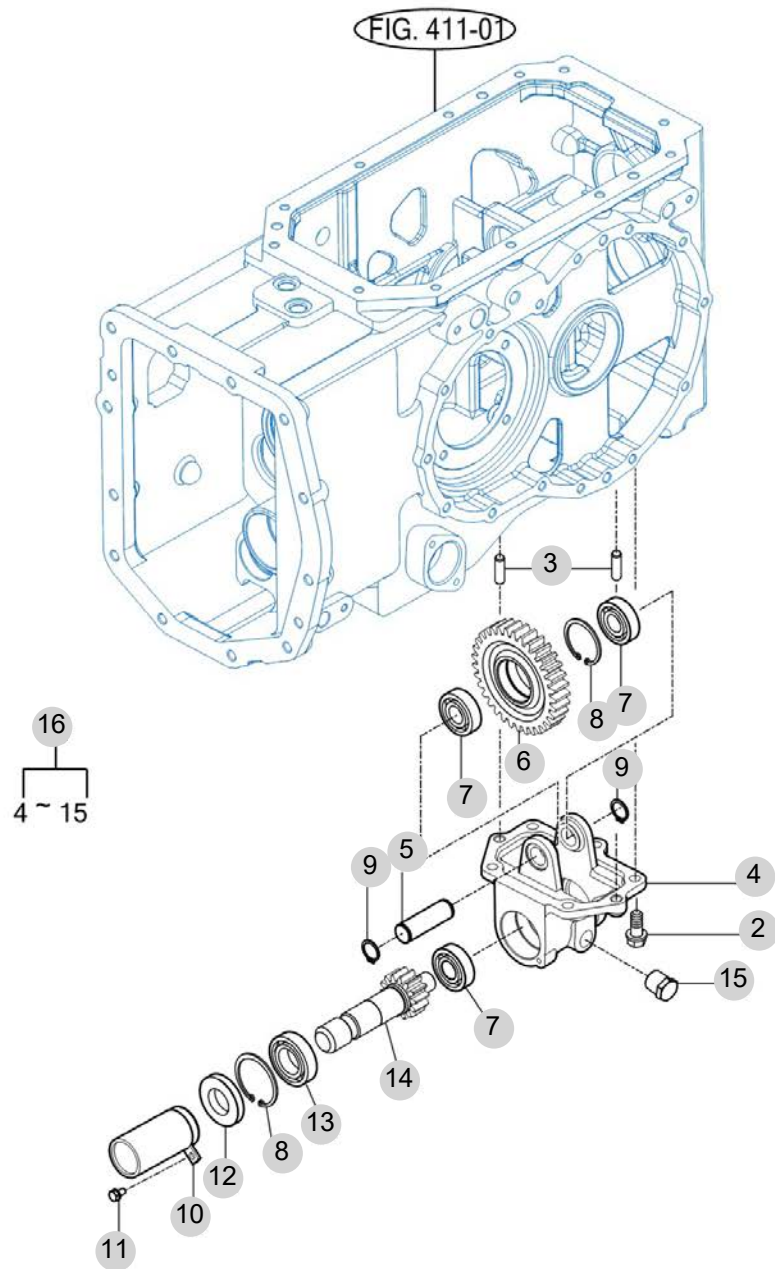
FIG 414

T395SHEU

MID P.T.O GEARS

년/월  
Year/Month

2022-12



393NH-E-414

NOTE



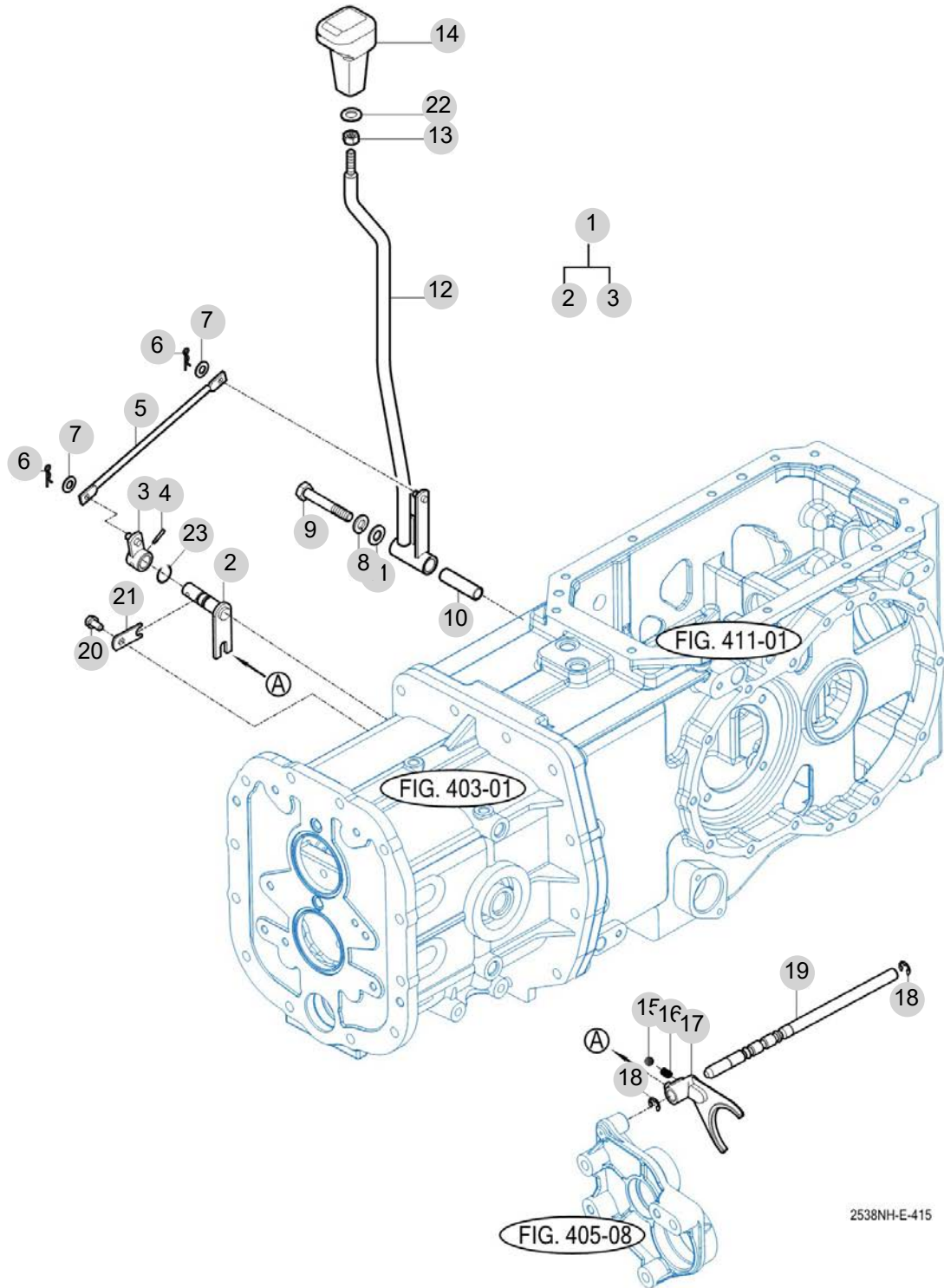
FIG 415

T395SHEU

SUB CHANGE LEVER

년/월  
Year/Month

2022-12



2538NH-E-415

NOTE





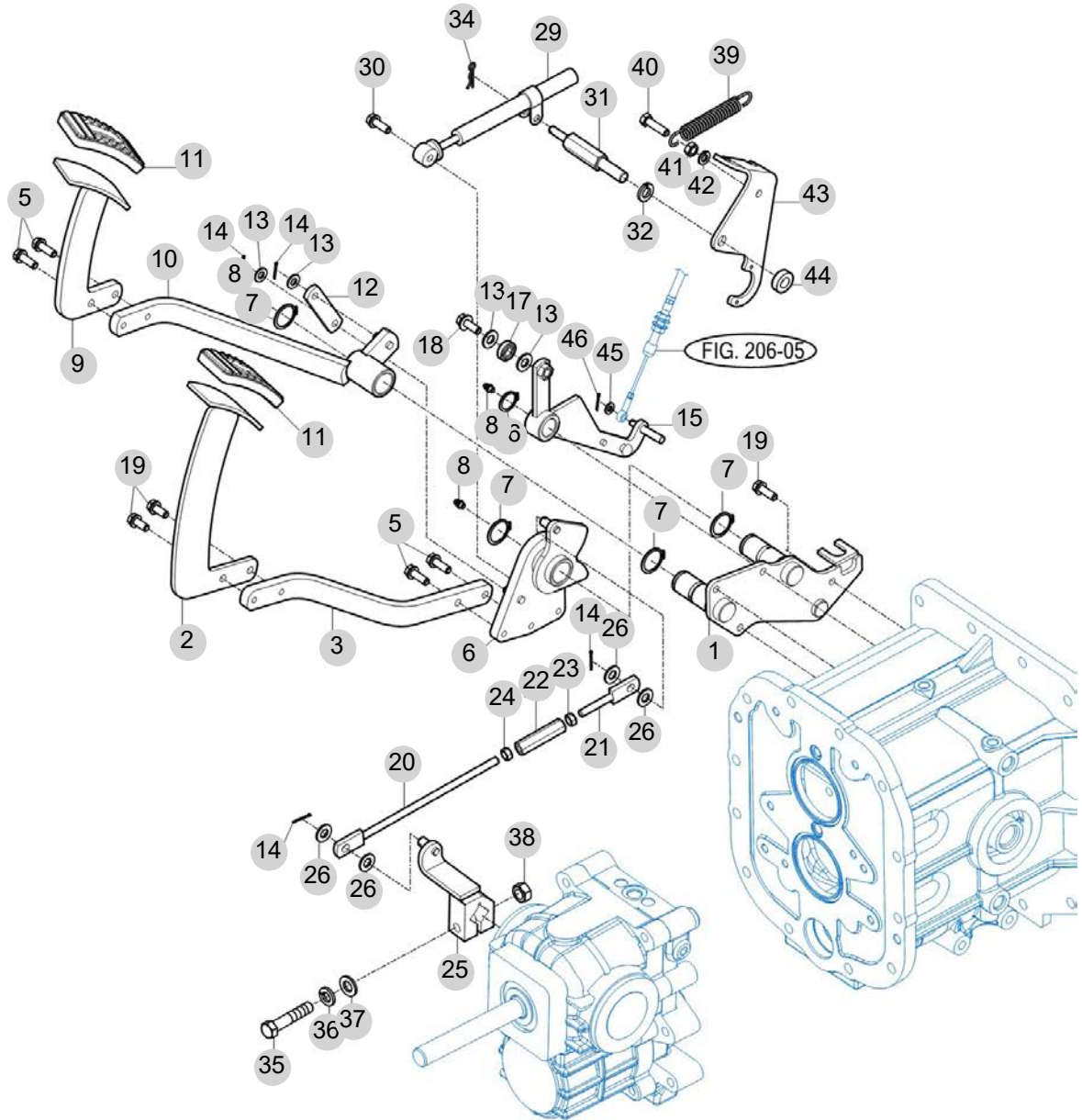
FIG 416

FORWARD & REVERSE CONTROL LINKAGE

년/월  
Year/Month

2022-12

T395SHEU



NOTE

FIG 416 T395SHEU		FORWARD & REVERSE CONTROL LINKAGE					년/월 Year/Month	
							2022-12	
KEY NO	PART NO	DESCRIPTION	SPEC	QTY	REPAIR	EFFECTIVE DATE		
416	1	12382313201	HST 페달 브래킷 COMP			1		
416	2	14722312703GB	페달(전진) COMP			1		
416	3	14722310052	전진 플레이트			1		
416	5	V2173608025	소형육각볼트보통(S)	M8X25		4		
416	6	12382312300	전진 암 COMP			1		
416	7	V7041400250	C형멈춤링(축용)	25		4		
416	8	V7601500000	그리스니플(A-M6F)			3		
416	9	14722312802GB	페달(후진) COMP			1		
416	10	14722312603	암(후진) COMP			1		
416	11	14722312730	패드			2		
416	12	14722310023	플레이트(후진)			1		
416	13	V4111600080	평와서	M8		4		
416	14	V5001920020	분할핀	2X20		4		
416	15	10532312600				1		
416	15	10532312601	캠 팔로어 암 COMP			1		
416	16	V7041400200	C형멈춤링(축용)			1		
416	17	14722310060	볼베어링(608DD)			1		
416	18	V2183608025	소형육각볼트보통(SP)	M8X25		1		
416	19	V2173608025	소형육각볼트보통(S)	M8X25		6		
416	20	12382325100	로드 COMP(LH)			1		
416	21	11102325200	로드 COMP(RH)			1		
416	22	16601220020	터언버클(M8,60)			1		
416	23	V3042600080	소형육각너트보통2종	M8		1		
416	24	15601320073	육각너트(SM,LH,M8)			1		
416	25	12382312101	홀더 브래킷 COMP			1		
416	26	V4111600100	평와서	M10		4		
416	29	14722312401	오일 댐퍼			1		
416	30	V2183608035	소형육각볼트보통(SP)	M8X35		1		
416	31	10532310090	오일 댐퍼 핀			1		
416	32	V4011600120	스프링와셔	M12		1		
416	34	V5601600008	스냅핀			1		
416	35	V2173610055	소형육각볼트보통(S)	M10X55		1		
416	36	V4011600100	스프링와셔	M10		1		
416	37	V4111600100	평와서	M10		1		
416	38	V3043600100	소형육각너트보통2종	M10		1		
416	39	14722310033	스프링(리턴)			1		
416	40	V2013608035	소형육각볼트(보통)	M8X35		1		
416	41	V3042600080	소형육각너트보통2종	M8		1		
416	42	V4011600080	스프링와셔			1		
416	43	10531163810	브래킷, P			1		
416	44	10532310080	칼라, 12X24X8			1		
416	45	V4111600060	평와서	M6		1		
416	46	V5001920015	분할핀			1		
NOTE								

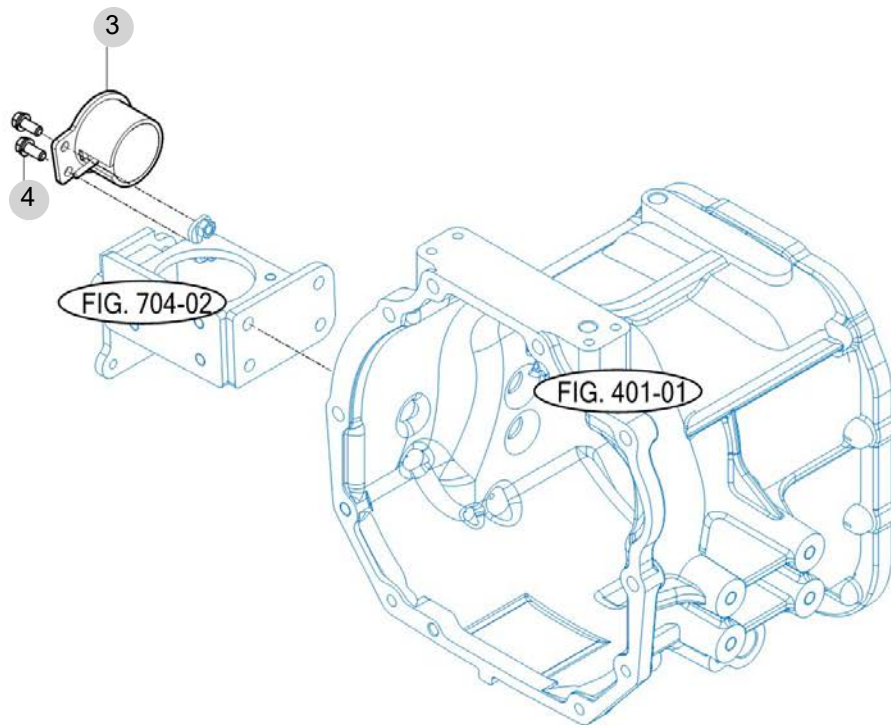
FIG 417

T395SHEU

CRUISE CONTROL

년/월  
Year/Month

2022-12



NOTE



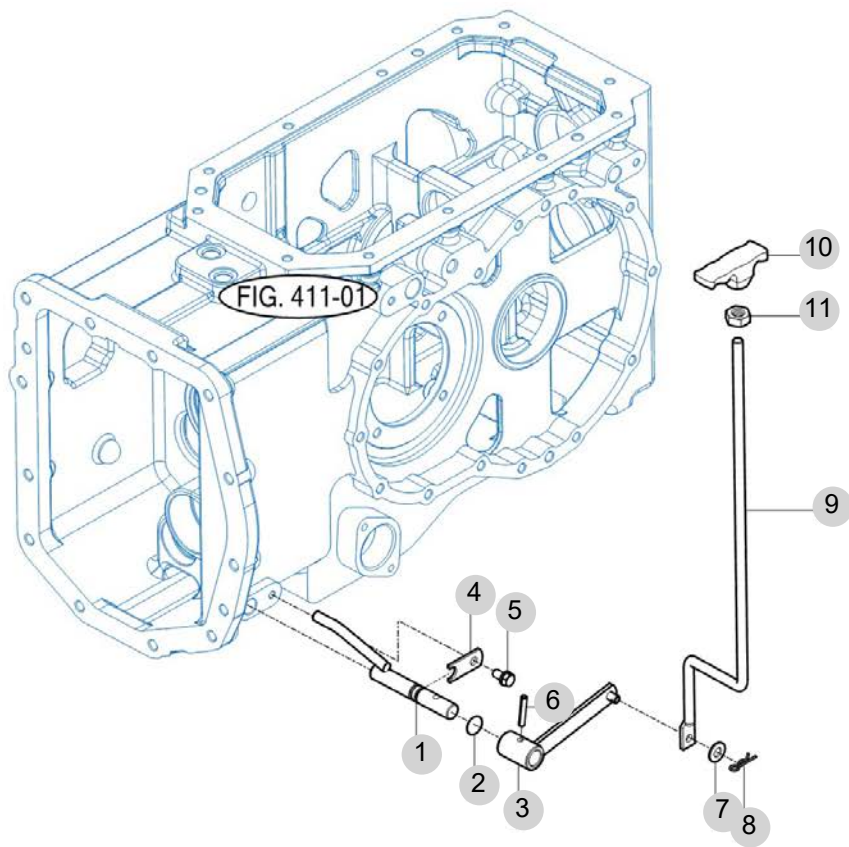
FIG 418

T395SHEU

4WD CHANGE LEVER

년/월  
Year/Month

2022-12



2538NH-K-418

NOTE



## 5. 프런트 액슬 PART NO. T5

FIG 501 FRONT AXLE BRACKET	113
FIG 502 FRONT DIFFERENTIAL GEARS	115
FIG 503 FRONT AXLE HOUSING	117
FIG 504 FRONT GEAR CASE (1)	119
FIG 505 FRONT GEAR CASE (2)	121



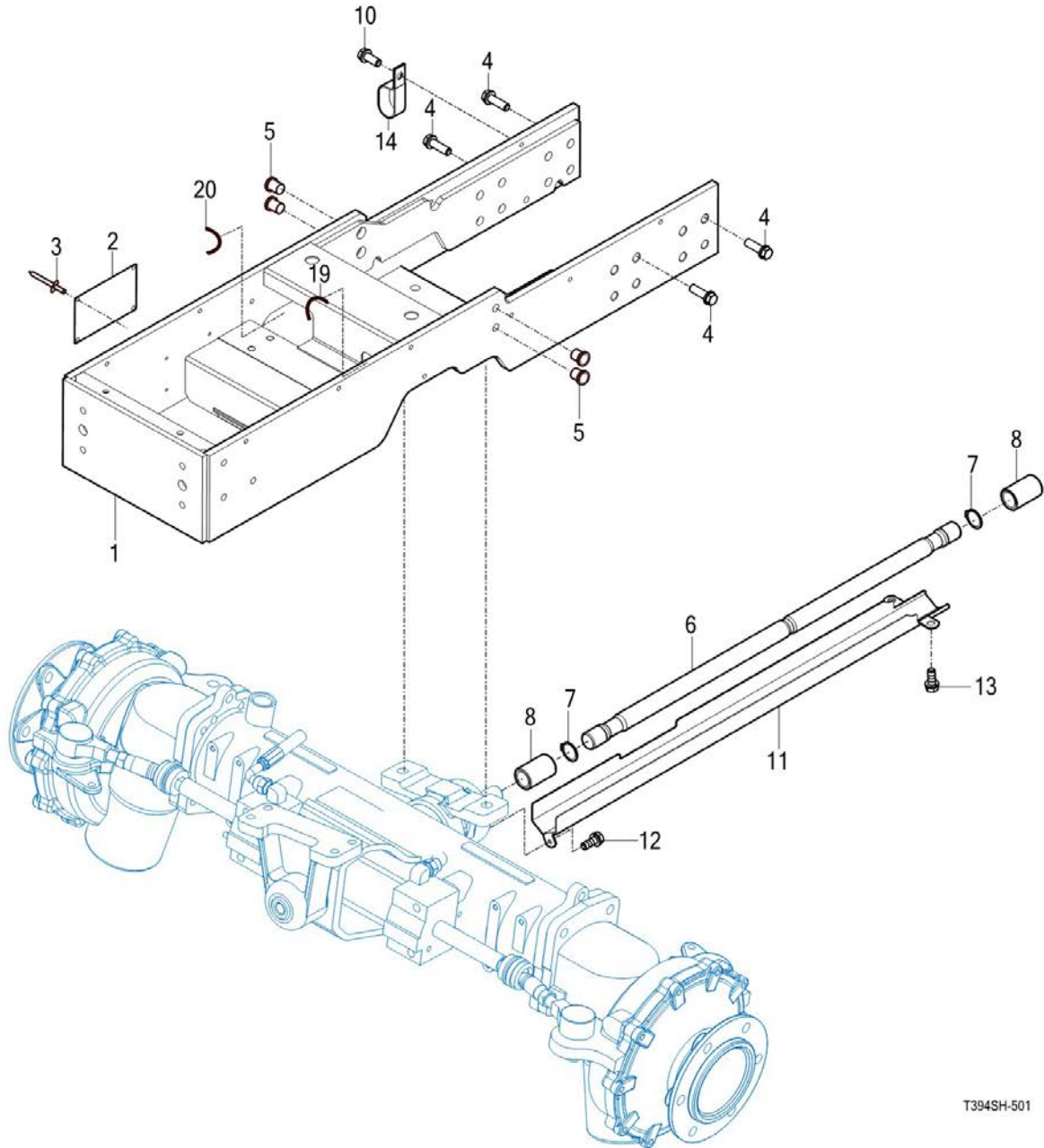
FIG 501

FRONT AXLE BRACKET

년/월  
Year/Month

2022-12

T395SHEU



T394SH-501

NOTE



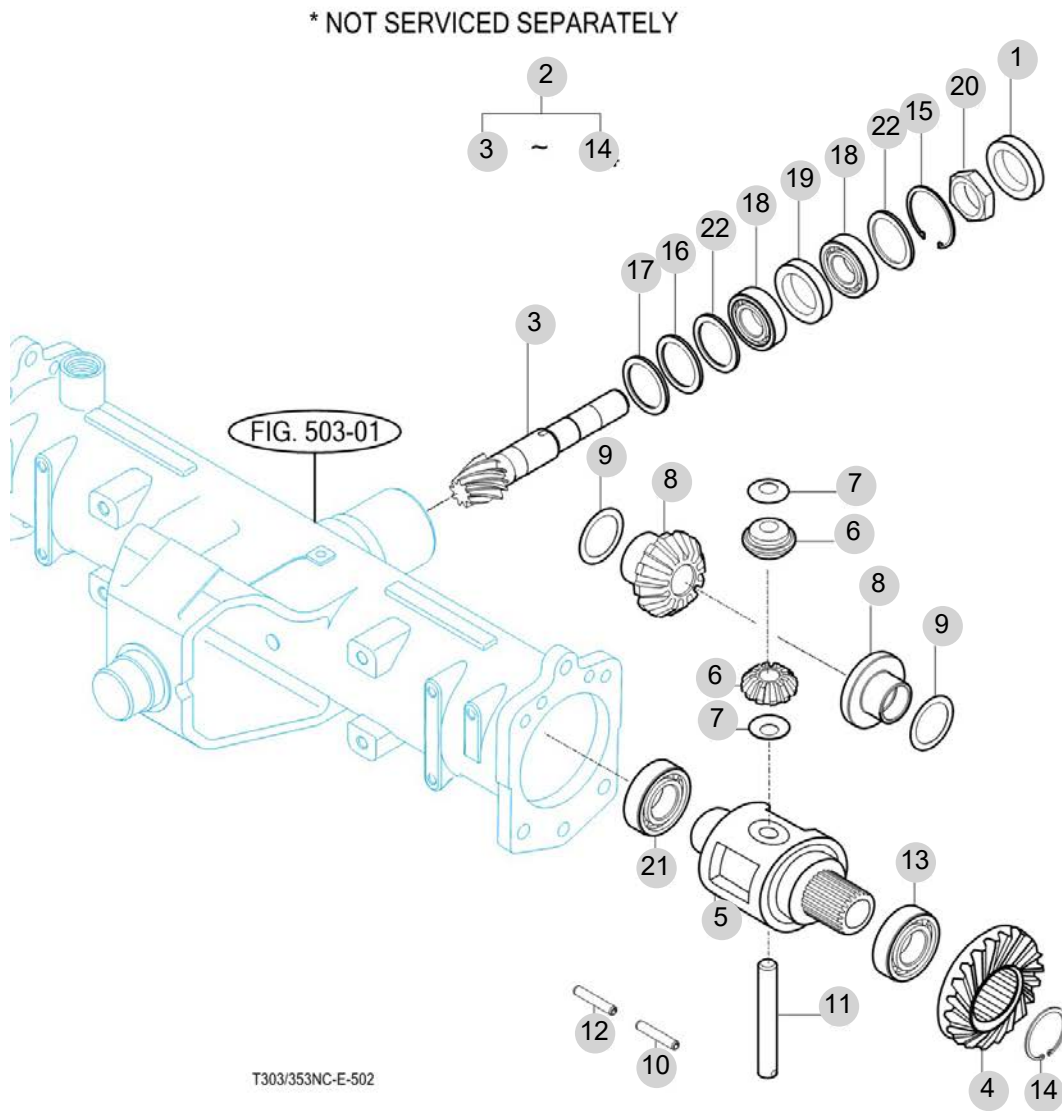
FIG 502

T395SHEU

# FRONT DIFFERENTIAL GEARS

년/월  
Year/Month

2022-12



NOTE



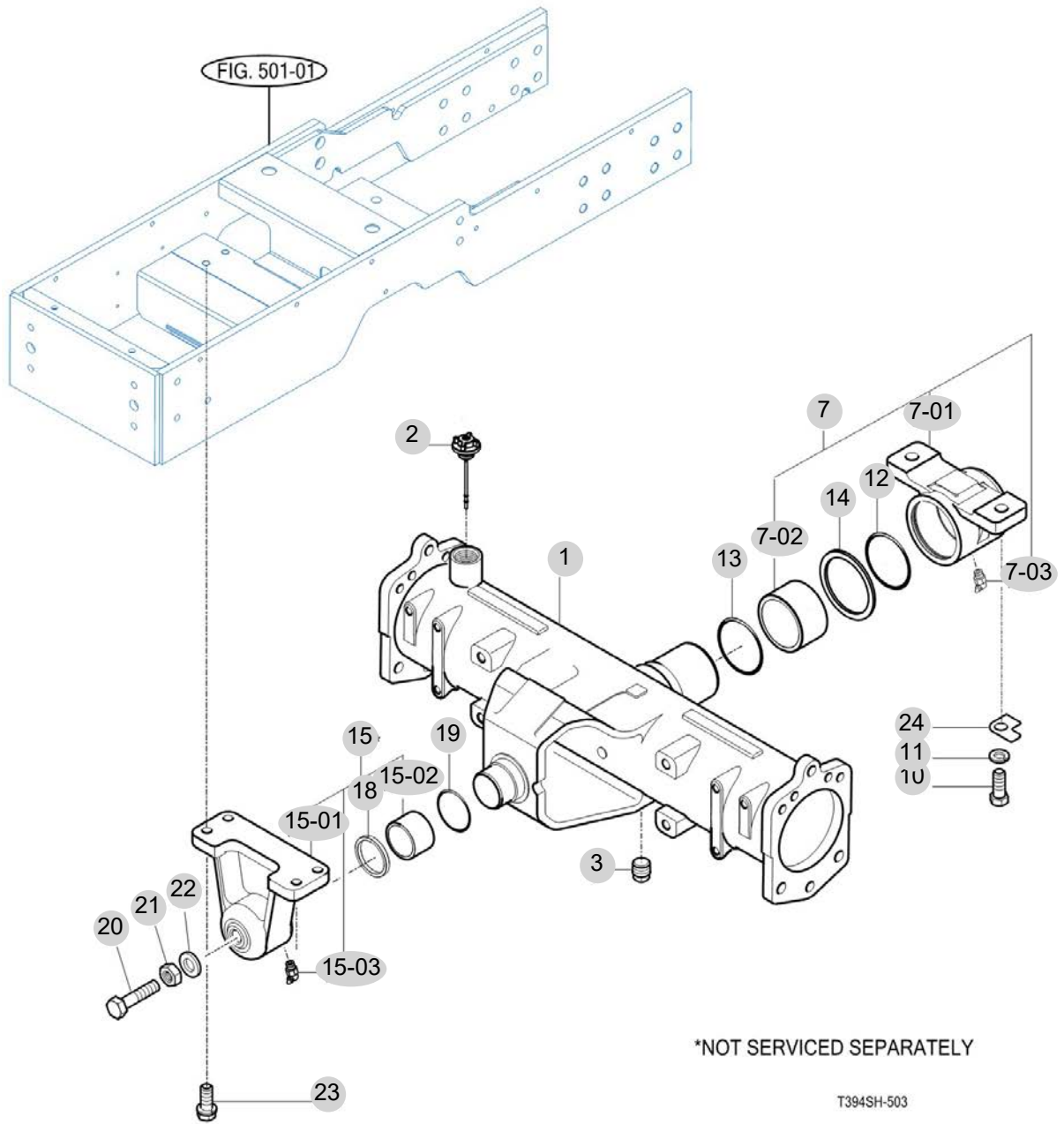
FIG 503

FRONT AXLE HOUSING

년/월  
Year/Month

T395SHEU

2022-12



\*NOT SERVICED SEPARATELY

T394SH-503

NOTE



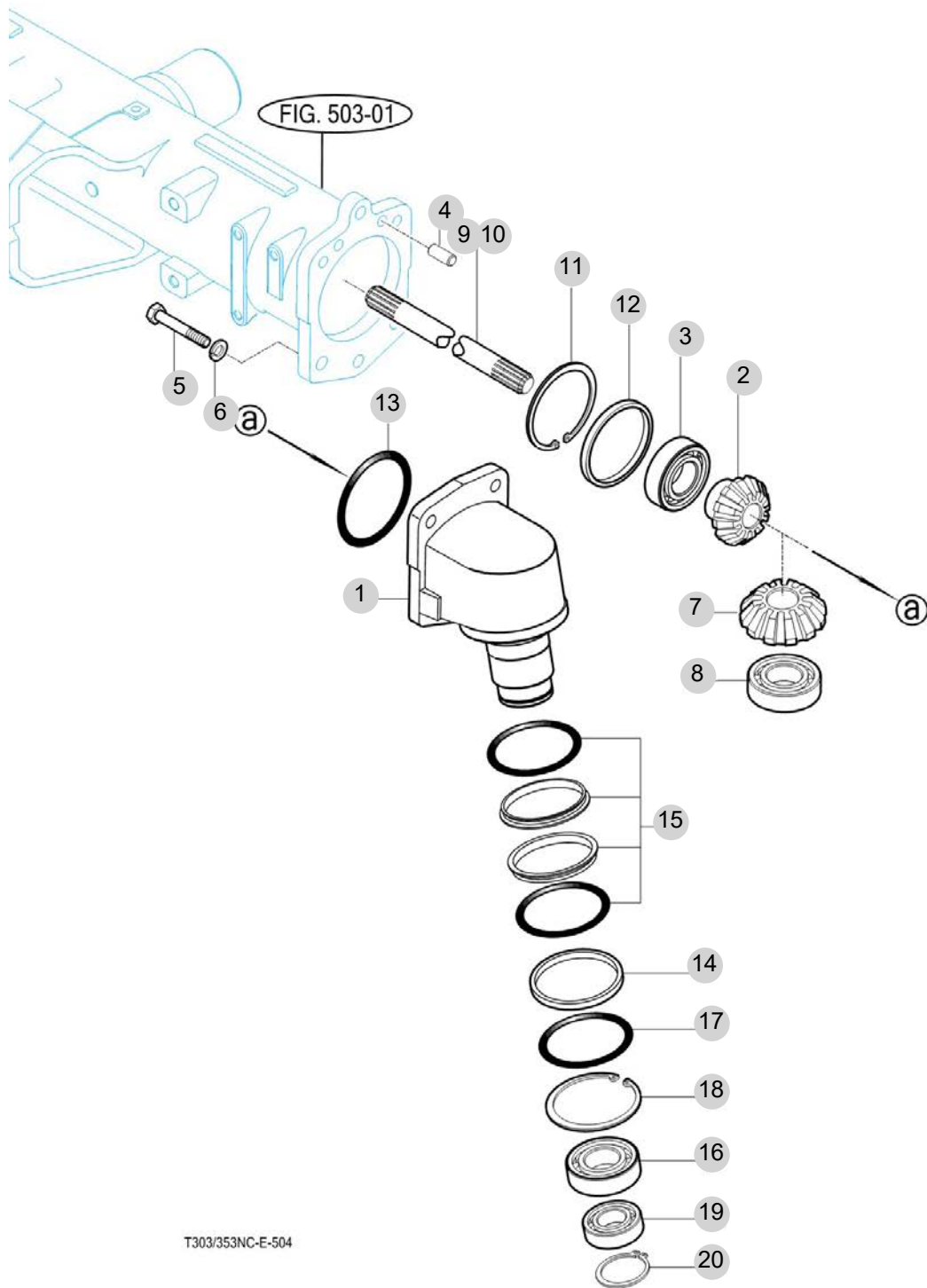
FIG 504

T395SHEU

FRONT GEAR CASE (1)

년/월  
Year/Month

2022-12



T303/353NC-E-504

NOTE





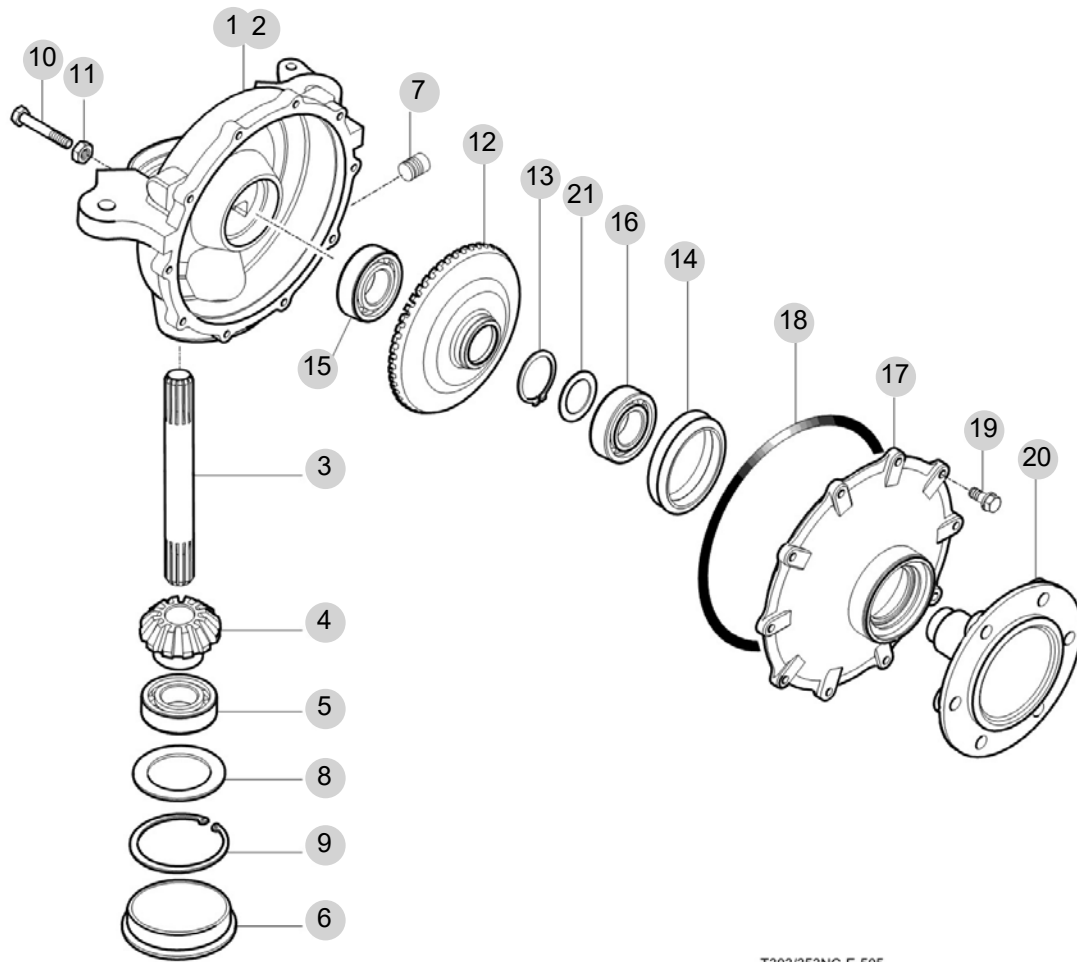
FIG 505

T395SHEU

FRONT GEAR CASE (2)

년/월  
Year/Month

2022-12



T303/353NC-E-505

NOTE



## 6. 유압/3점링크 PART NO. T6

FIG 601 GEAR PUMP	124
FIG 602 CYLINDER CASE	126
FIG 603 LIFT ARM	128
FIG 604 CYLINDER	130
FIG 605 POSITION LINK (1)	132
FIG 606 POSITION LINK (2)	134
FIG 607 CONTROL VALVE	136
FIG 608 POSITION LEVER	138
FIG 609 HYDRAULIC PIPE (1)	140
FIG 610 HYDRAULIC PIPE (2)	142
FIG 611 EXTERIOR HYD. VALVE	144
FIG 612 3-POINT LINK	146
FIG 613 HITCH & COVER	148

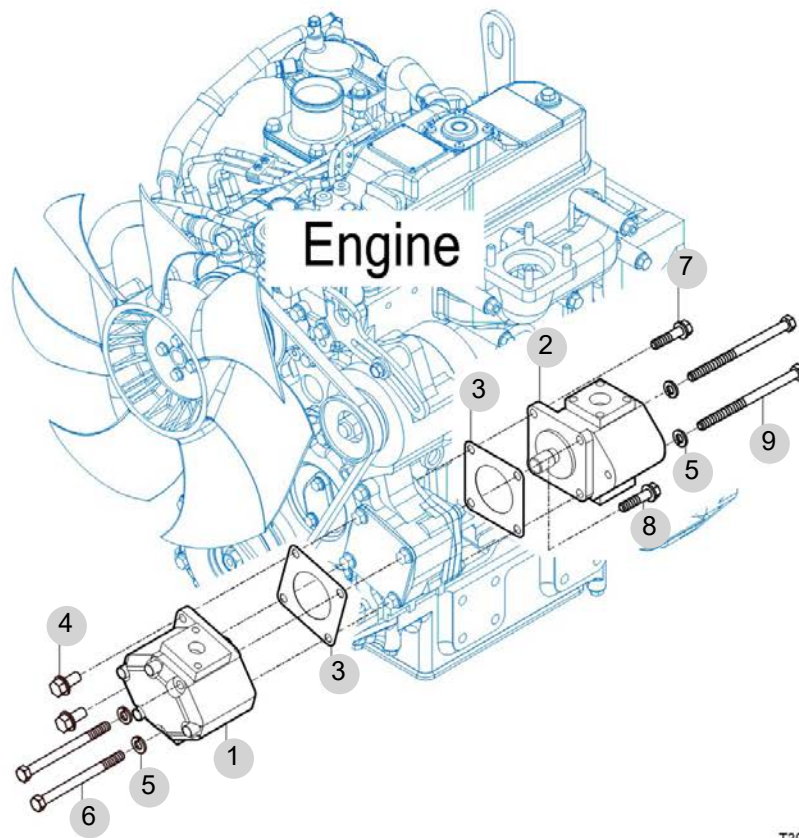
FIG 601

T395SHEU

GEAR PUMP

년/월  
Year/Month

2022-12



T393-E-601

NOTE



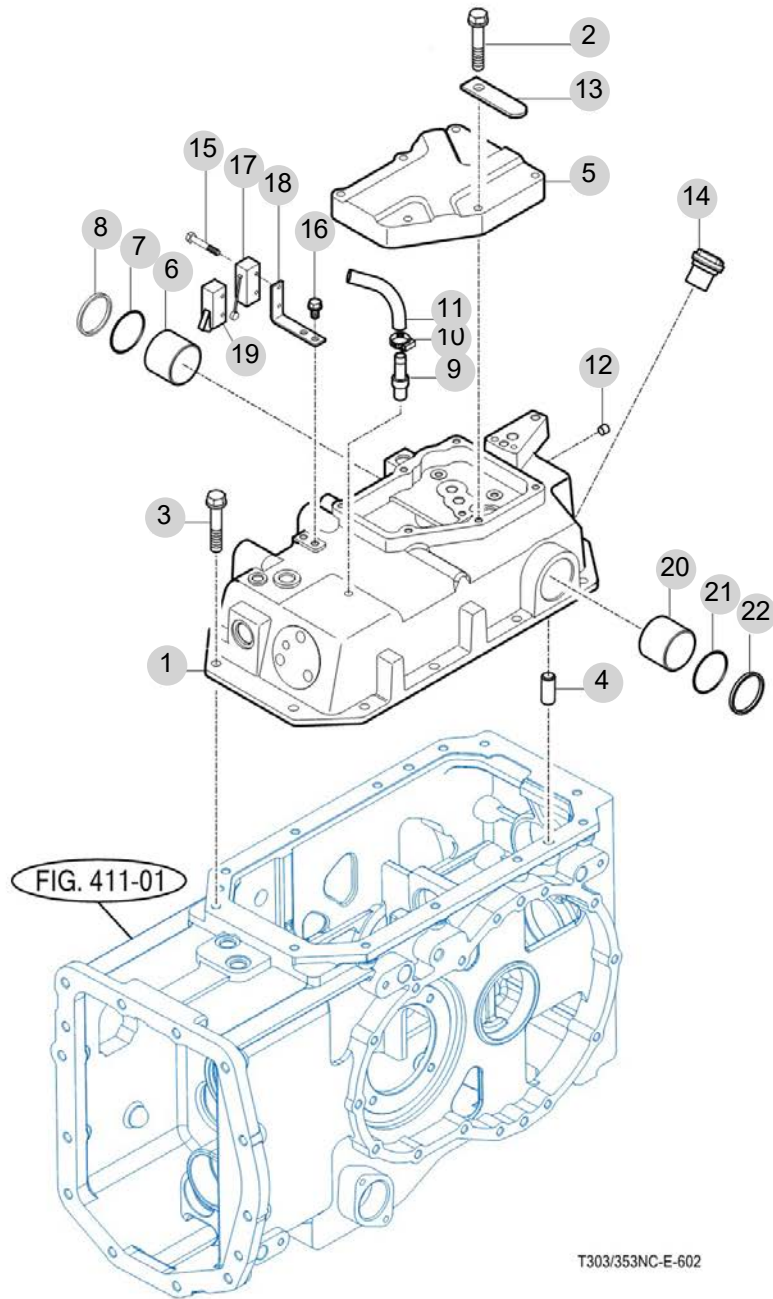
FIG 602

T395SHEU

CYLINDER CASE

년/월  
Year/Month

2022-12



NOTE



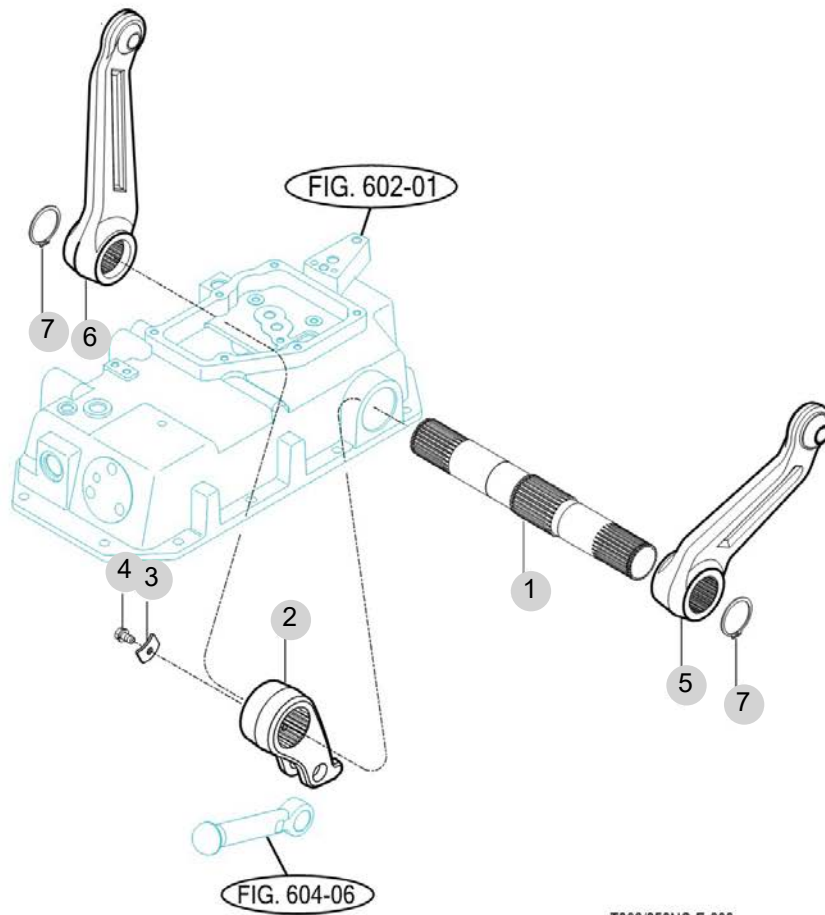
FIG 603

T395SHEU

LIFT ARM

년/월  
Year/Month

2022-12



T303/353NC-E-603

NOTE





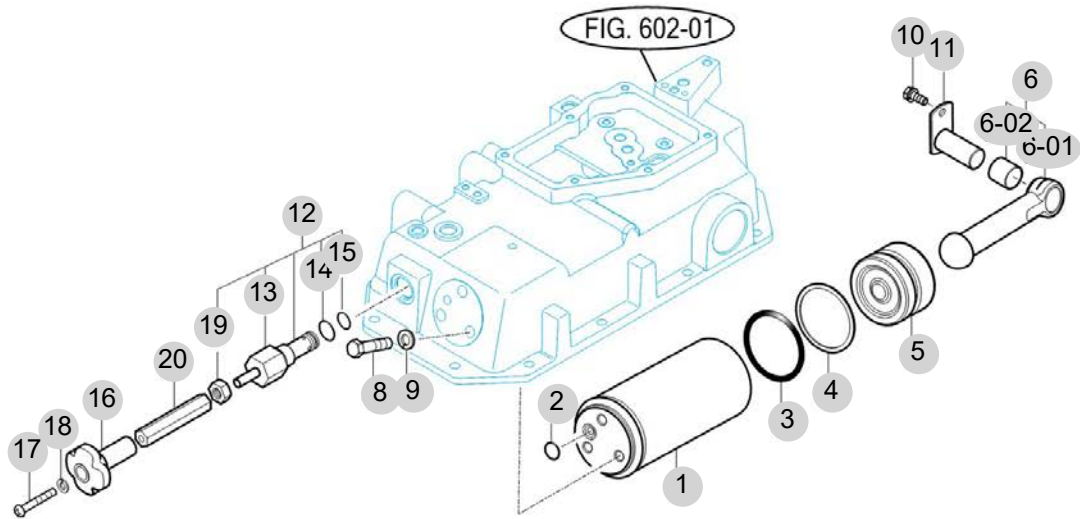
FIG 604

T395SHEU

CYLINDER

년/월  
Year/Month

2022-12



T303/353NC-E-604

NOTE



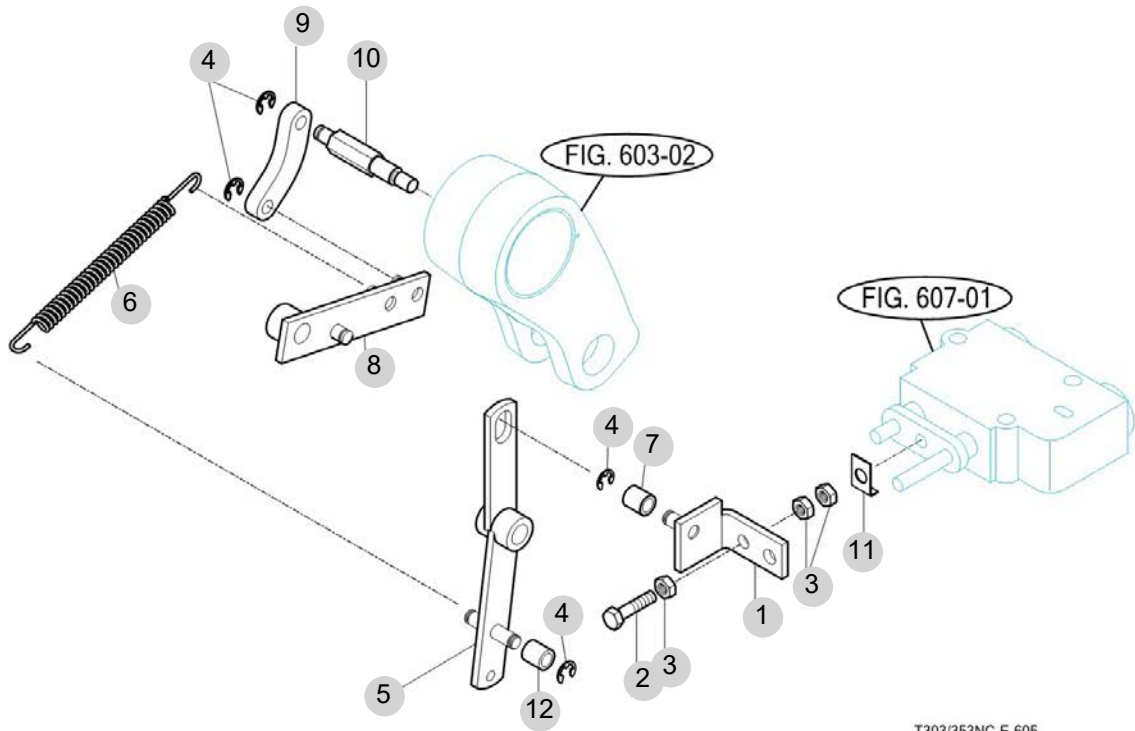
FIG 605

T395SHEU

POSITION LINK (1)

년/월  
Year/Month

2022-12



T303/353NC-E-605

NOTE



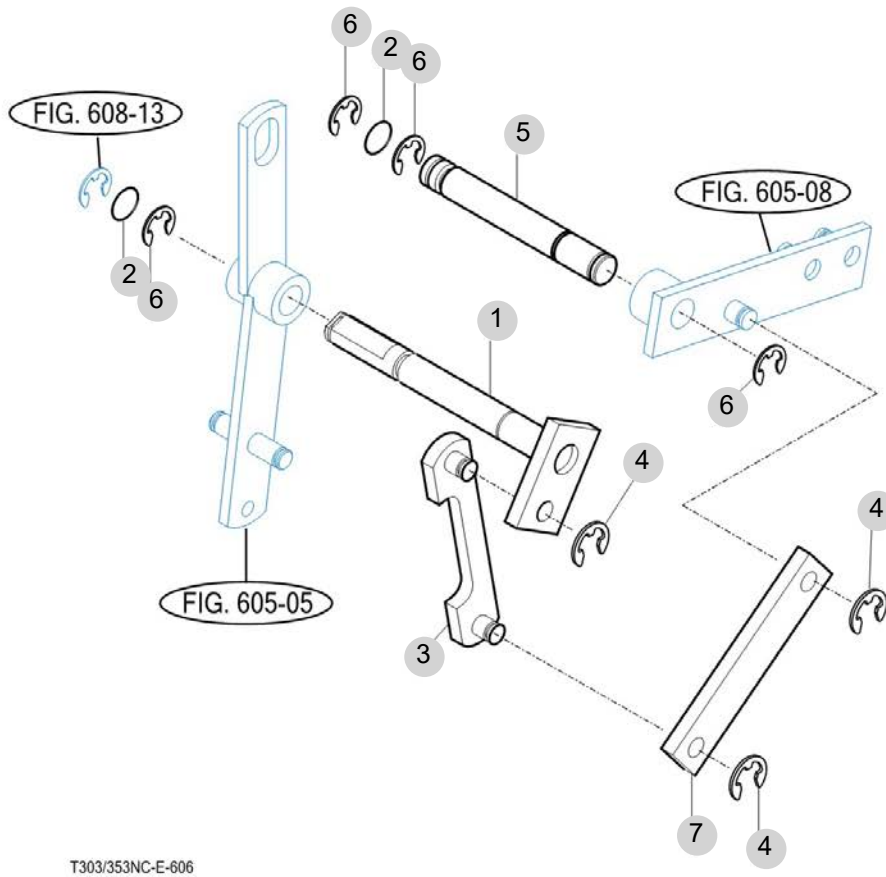
FIG 606

T395SHEU

POSITION LINK (2)

년/월  
Year/Month

2022-12



T303/353NC-E-606

NOTE



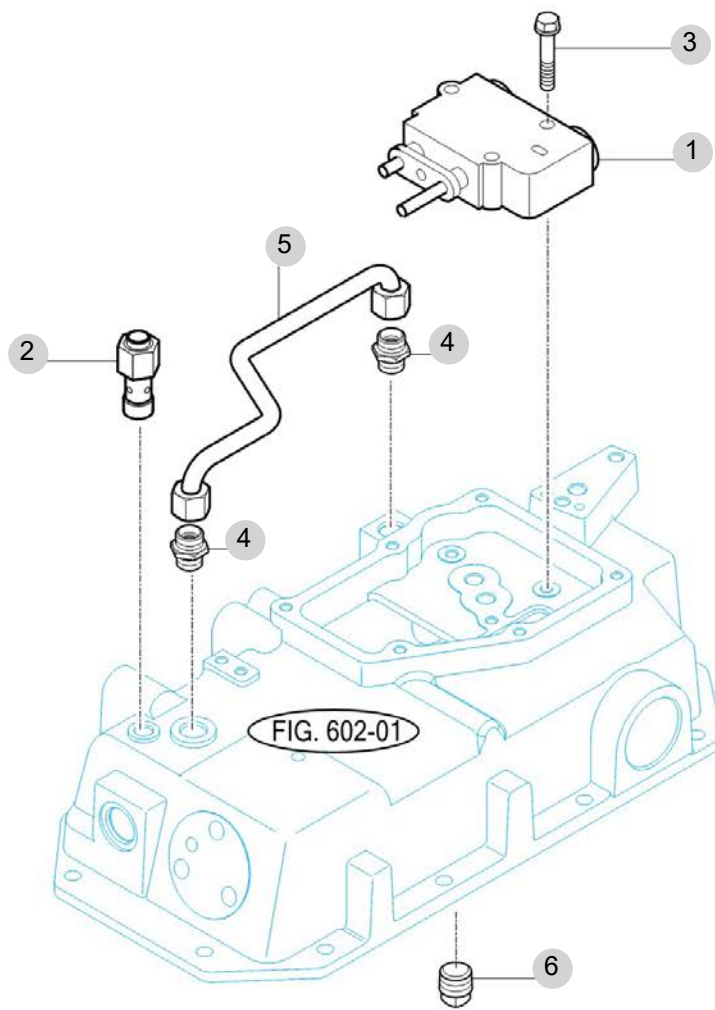
FIG 607

T395SHEU

CONTROL VALVE

년/월  
Year/Month

2022-12



T303/353NC-E-607

NOTE





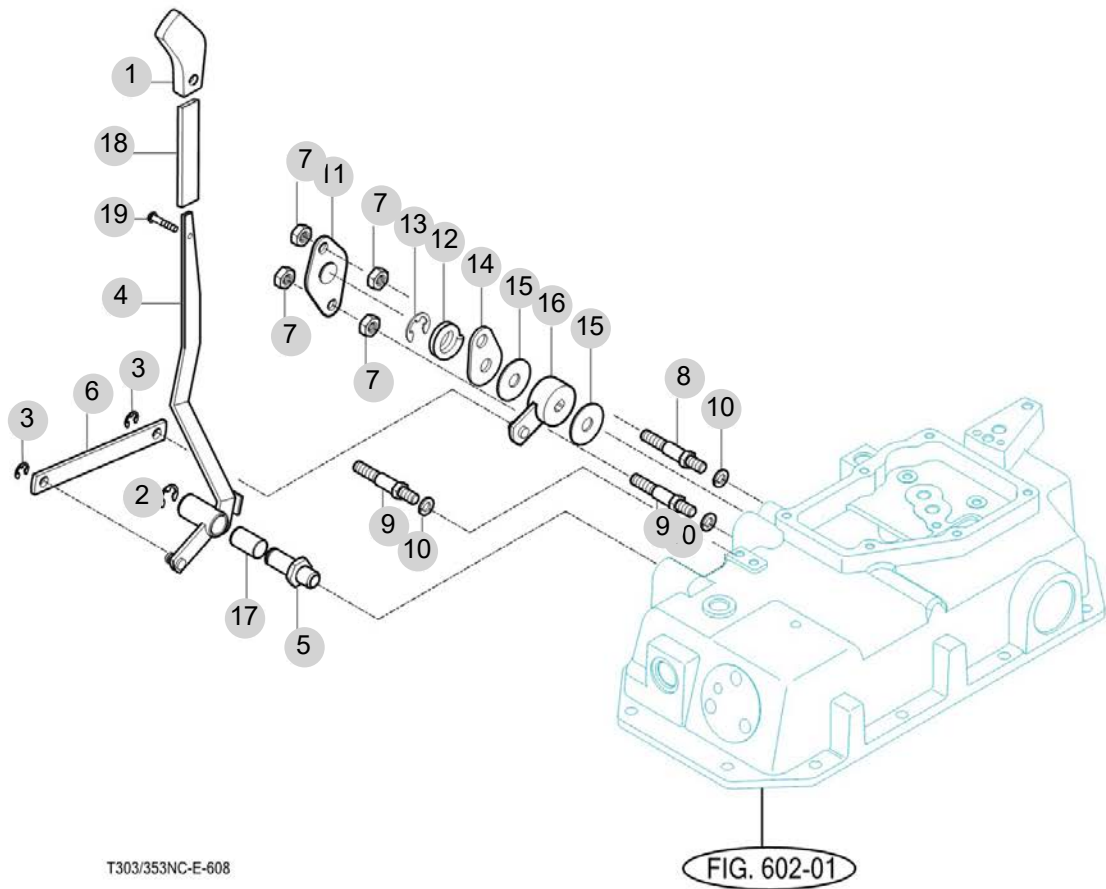
FIG 608

T395SHEU

POSITION LEVER

년/월  
Year/Month

2022-12



T303/353NC-E-608

FIG. 602-01

NOTE



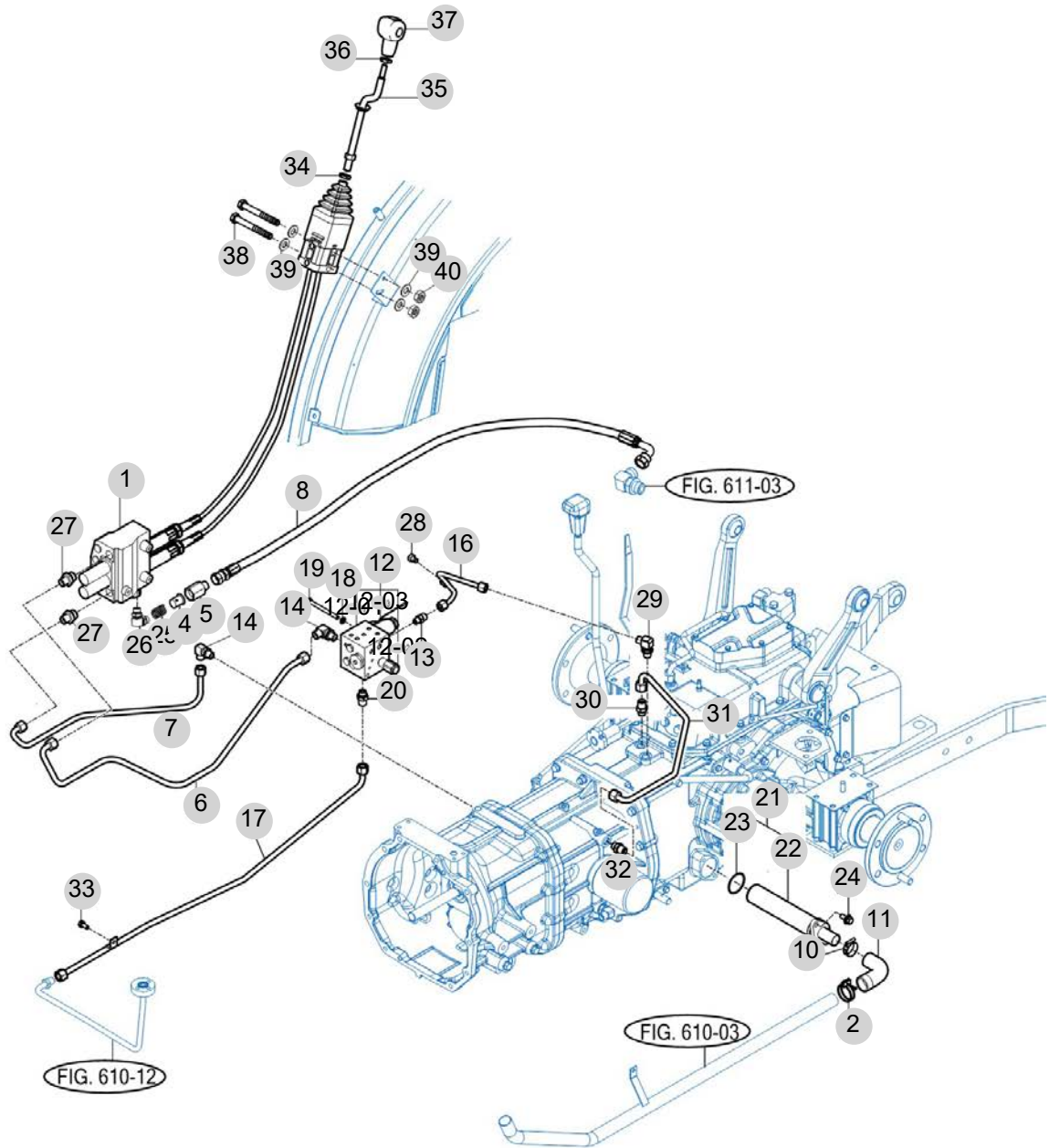
FIG 609

T395SHEU

HYDRAULIC PIPE (1)

년/월  
Year/Month

2022-12



T384NH-E-605

NOTE



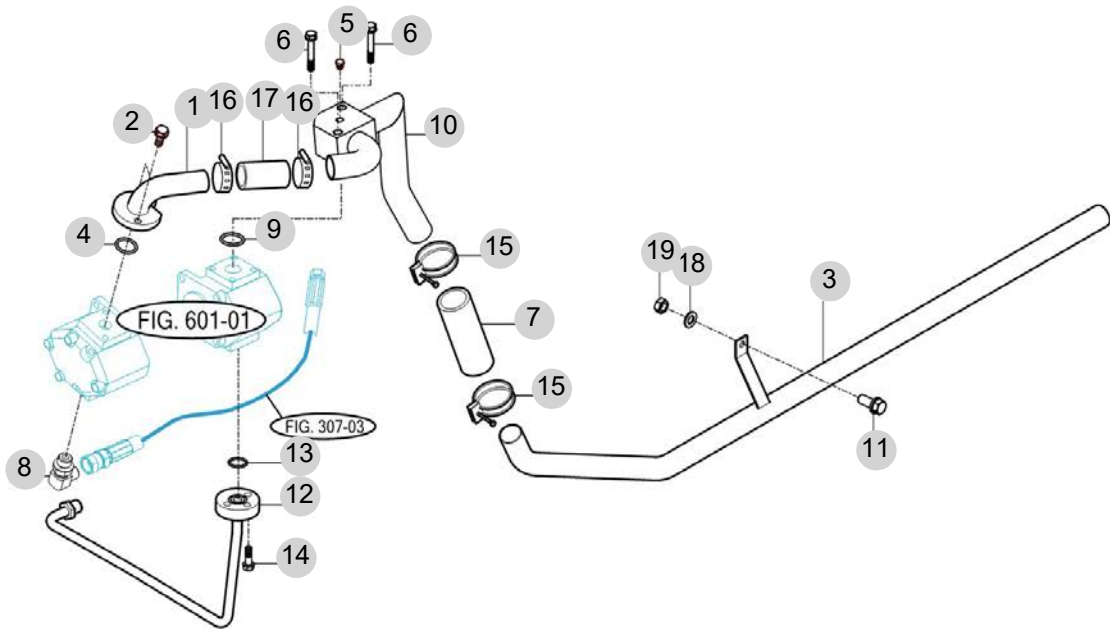
FIG 610

T395SHEU

HYDRAULIC PIPE (2)

년/월  
Year/Month

2022-12



T394-E-606

NOTE



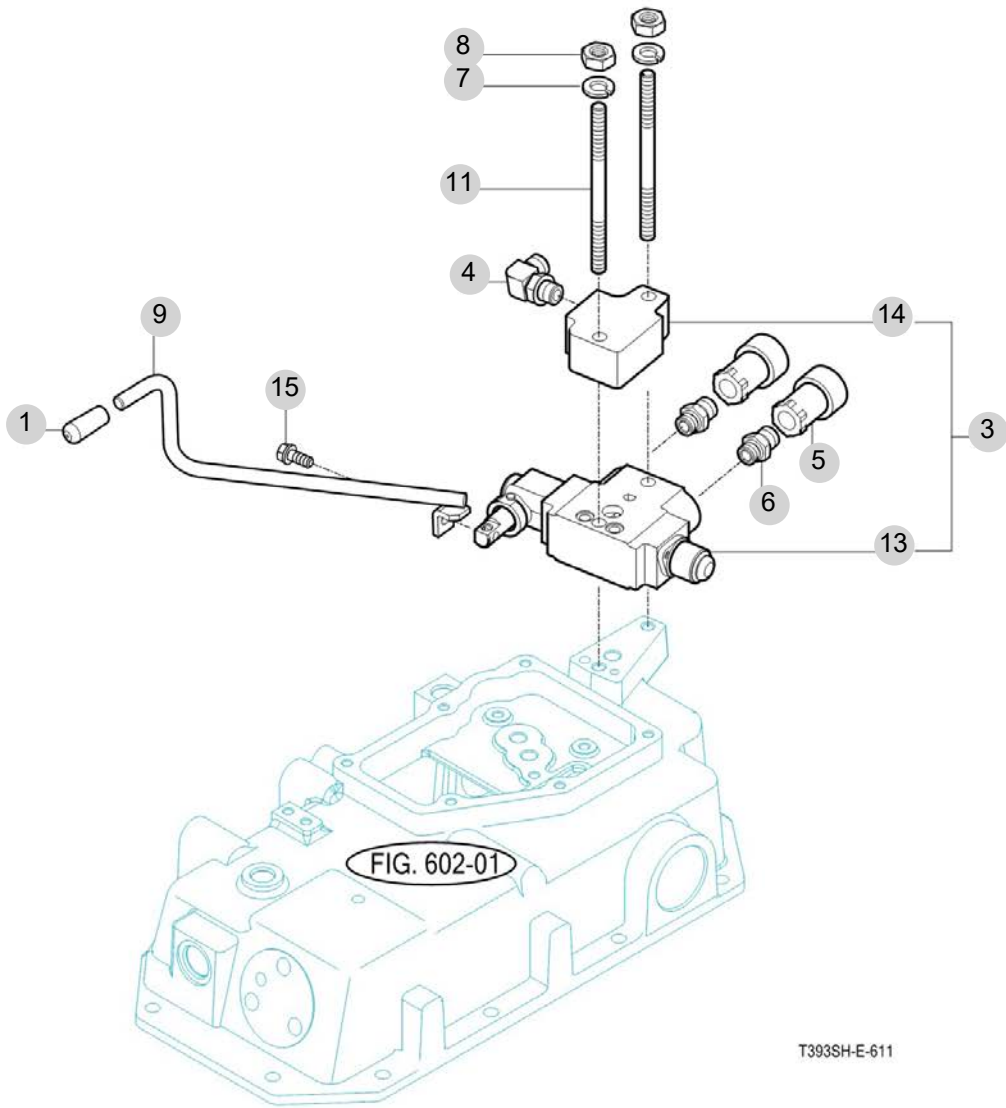
FIG 611

T395SHEU

EXTERIOR HYD. VALVE

년/월  
Year/Month

2022-12



NOTE





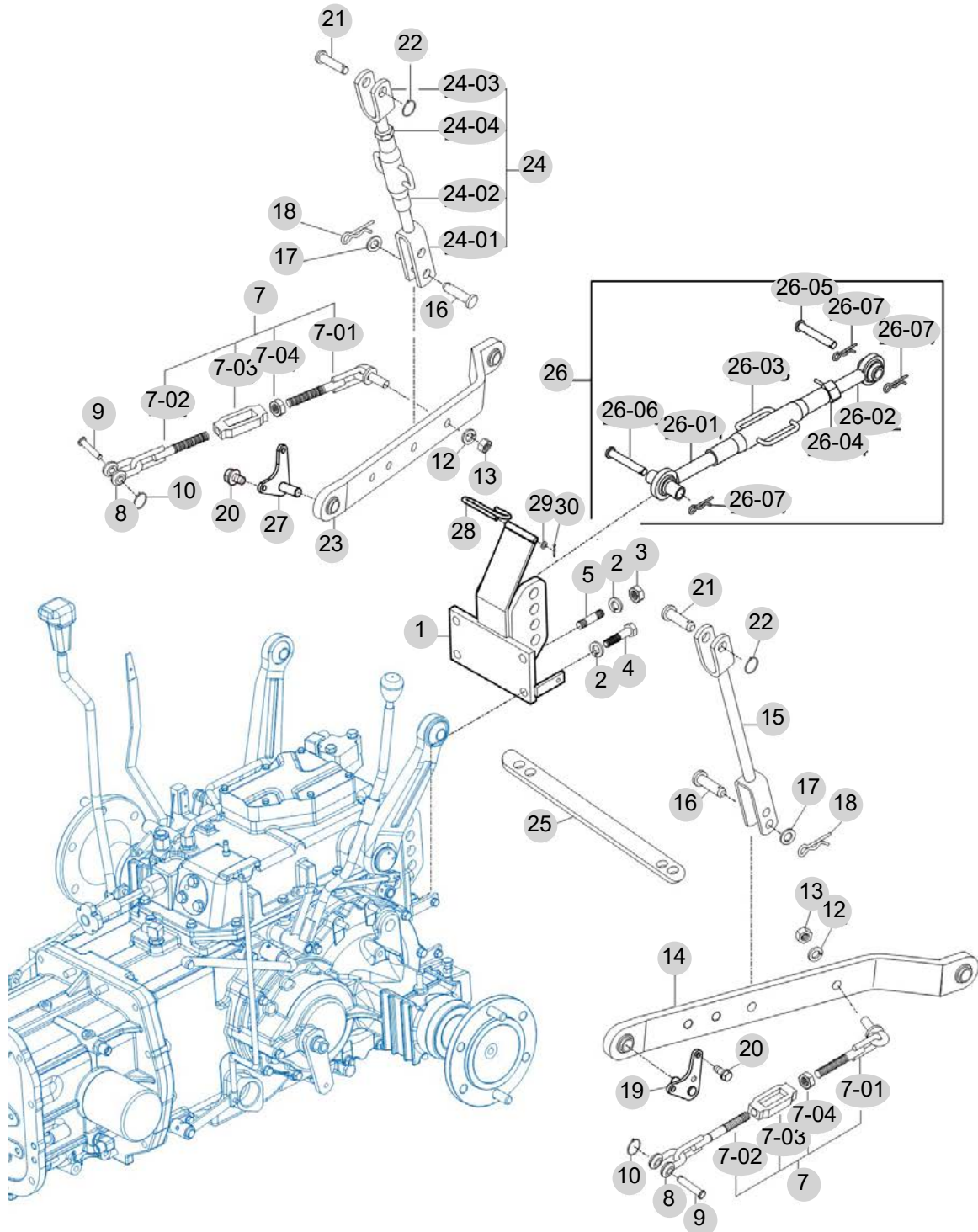
FIG 612

T395SHEU

3-POINT LINK

년/월  
Year/Month

2022-12



T394SH-K-612

NOTE

FIG 612		3-POINT LINK					년/월	
							Year/Month	
T395SHEU		2022-12						
KEY NO	PART NO	DESCRIPTION	SPEC	QTY	REPAIR	EFFECTIVE DATE	REMARKS	
612	1	12393172000GB	톱링크 브래킷 COMP		1			
612	2	V4011600140	스프링와셔	M14	4			
612	3	V3043600140	소형육각너트보통2종	M14	2			
612	4	V2014614035	소형육각볼트(보통)	M14X35	2			
612	5	V2514414030	스터드볼트2종	M14X30	2			
612	7	16705142501	체인(체크) 조합		2			
612	7-01	16705244100	체인(체크,LH)COMP		2			
612	7-02	16705142800	체인(체크,RH)COMP		2			
612	7-03	16705142510M	터언버클		2			
612	7-04	V3043600160	소형육각너트보통2종	M14	2			
612	8	16705142520	체크체인 샤클		2			
612	9	79636110030	핀(12X48)		2			
612	10	16735240060	스프링(45)	3X20	2			
612	12	V4011600160	스프링와셔	M16	2			
612	13	V3013600160	육각너트보통2종	M16	2			
612	14	12385142000GB	로어링크(LH)COMP		1			
612	15	16705142400GB	리프트로드(LH) COMP		1			
612	16	79636130050	핀(16X60)		2			
612	17	V4111600160	평와셔	M16	2			
612	18	13059310030	헤어핀(D=2.3)		2			
612	19	12385142200	핀(LH) COMP		2			
612	20	V2173612030	소형육각볼트보통(S)		1			
612	20	V2173612030	소형육각볼트보통(S)	M12X30	4			
612	21	16705020050	핀(19X69)		2			
612	22	16735240060	스프링(45)		2			
612	23	12385142100GB	로어링크(RH)COMP		1			
612	24	16705145000GB	리프트로드(RH)ASSY		1			
612	24-01	16705145200	포크(하)COMP		1			
612	24-02	16705145100	슬리브 COMP		1			
612	24-03	16705145300	포크(상)COMP		1			
612	24-04	V3023600220	육각너트보통3종		1			
612	25	15605250030	밴드(470)		1			
612	26	16505245501GB	톱링크ASSY		1			
612	26	16505245502GB	톱링크 ASSY		1			
612	26-01	16505245510	톱링크COMP(RH)		1			
612	26-02	16505245520	톱링크COMP(LH)		1			
612	26-03	14555140251	턴버클 조합(톱링크)		1			
612	26-04	16505245530	육각너트		1			
612	26-05	15645220020	핀(19X95)		1			
612	26-06	15645220011	핀(19X86)		1			
612	26-07	14445140051	헤어핀(19)		3			
612	27	12385142300	핀(RH) COMP		1			
612	28	12396251100	톱링크 후크		1			
612	29	V4111600060	평와셔		1			
612	30	V5001920020	분할핀		1			
NOTE								

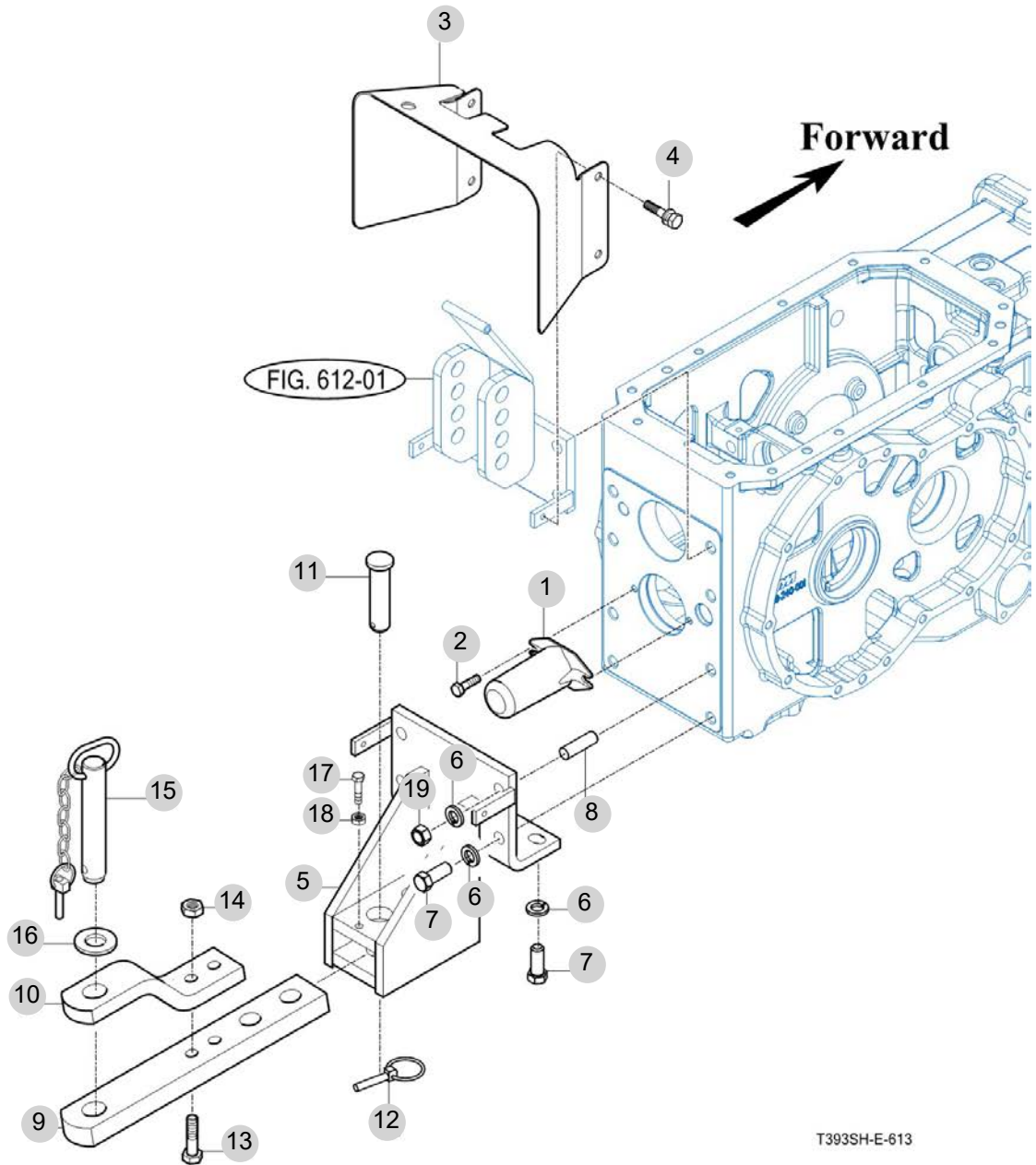
FIG 613

T395SHEU

HITCH & COVER

년/월  
Year/Month

2022-12



NOTE



## 7. 시트메탈/캐빈 PART NO. T7

FIG 701 HOOD (1)	151
FIG 702 HOOD (2)	154
FIG 704 FRONT & REAR MOUNTING	157
FIG 705 DASHPANEL	159
FIG 706 SEAT & MAT	161
FIG 707 DOOR	163
FIG 708 FRONT GLASS	166
FIG 709 REAR GLASS	168
FIG 710 SUB FENDER & COVER	170
FIG 711 MIRROR	172
FIG 712-1 HEATER & AIR-CON	174
FIG 712-2 HEATER & AIR-CON	176
FIG 713 FENDER COVER	178
FIG 714 ROOF	180
FIG 715 CABIN INTERIOR	182

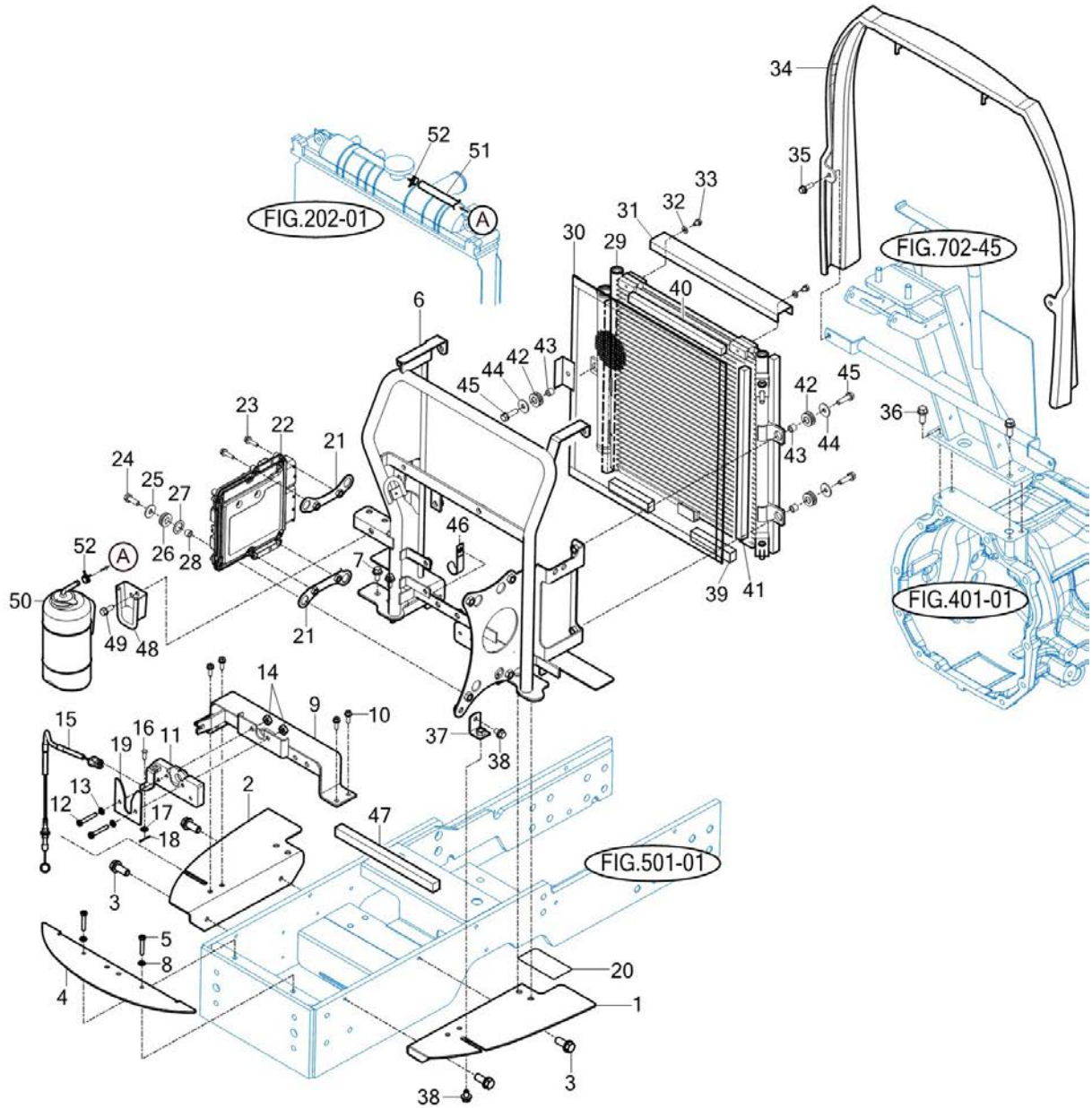
FIG 701

T395SHEU

HOOD (1)

년/월  
Year/Month

2022-12



NOTE

FIG 701		HOOD (1)					년/월 Year/Month		
							2022-12		
T395SHEU		KEY NO	PART NO	DESCRIPTION	SPEC	QTY	REPAIR	EFFECTIVE DATE	REMARKS
701	1	17404072301GB	플레이트COMP, LH			1			
701	2	17404072401GB	플레이트COMP, RH			1			
701	3	V2183608016	소형육각볼트보통(SP)	M8X16		4			
701	4	17404072501GB	플레이트 COMP, C			1			
701	5	V2053606035	십자홈육각볼트	M6X35		2			
701	6	12341122000GB	프런트 프레임 COMP			1			
701	7	V2183608020	소형육각볼트보통(SP)	M8X20		4			
701	8	V4011600060	스프링와셔	M6		2			
701	9	17406014202GB	후드 스테이 COMP			1			
701	10	V2323606020	십자홈육각볼트(SP)	M6X20		4			
701	11	17686020600	잠금장치(후드)COMP			1			
701	12	V2053606040	십자홈육각볼트	M6X40		2			
701	13	V4011600060	스프링와셔	M6		2			
701	14	V3802600060	플랜지불이육각너트	M6		2			
701	15	12136020650	후드 케이블ASSY			1			
701	16	15601160083	핀 (06X16)			1			
701	17	V4111600060	평와셔	M6		1			
701	18	V5001920020	분할핀			1			
701	19	17406014300	후드핀 가이드			1			
701	20	12386400011	막음라벨, 클러치			1			
701	21	12341222000GB	ECU 플레이트 COMP			2			
701	22	129A26-75040	129A2675040-로 주문변경			1			
701	23	V2123606025	육각볼트(SP)	M6X25		4			
701	24	V2173608025	소형육각볼트보통(S)	M8X25		4			
701	25	35602010150	결속축와셔			4			
701	26	14046210300	그로맷			4			
701	27	35652030040	팩커축칼라			4			
701	28	15991040050	칼라(08X12X08)			4			
701	29	13778303700	콘덴서 ASSY			1			
701	29	12398303700	콘덴서 ASSY			1			
701	30	12391042300GB	콘덴서 네트 COMP			1			
701	31	13831054010GB	콘덴서 브라켓, 상			1			
701	31	12391054010GB	콘덴서 브라켓, 상			1			
701	32	V4111600060	평와셔			2			
701	33	V2113606010	육각볼트(S)	M6X10		2			
701	34	12347071131	연장커버			1			
701	35	V2183606020	소형육각볼트보통(SP)	M6X20		2			
701	36	V2183610025	소형육각볼트보통(SP)	M10X25		4			
701	37	12341223000GB	ECU 고정 브라켓 COMP			1			
701	38	V2183608016	소형육각볼트보통(SP)	M8X16		2			
701	39	18501042360	스폰지(170)			2			
701	40	12391042350	스폰지(245)			1			
701	41	18501042370	스폰지(430)			2			
701	42	19026210300	그로맷(12X17X10)			3			
701	43	19026010020	칼라(10X12X08)			3			
NOTE									





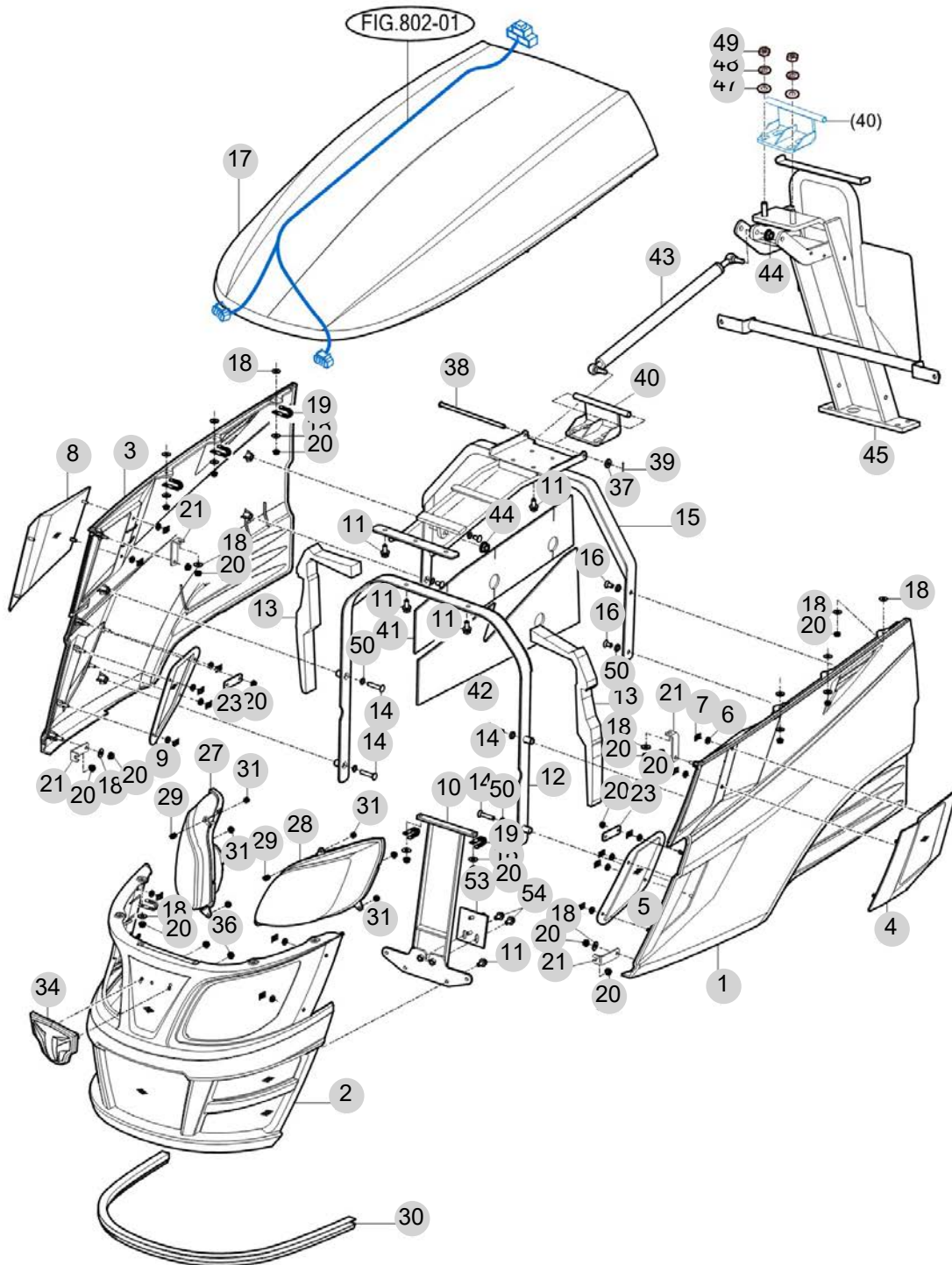
FIG 702

T395SHEU

HOOD (2)

년/월  
Year/Month

2022-12



NOTE

FIG 702		HOOD (2)					년/월 Year/Month		
							2022-12		
T395SHEU		KEY NO	PART NO	DESCRIPTION	SPEC	QTY	REPAIR	EFFECTIVE DATE	REMARKS
702	1	17406203301SR	사이드 커버 COMP , 좌			1			
702	1	17406203302SR	사이드 커버 COMP , 좌			1			
702	1	17406203303SR	사이드 커버 COMP , 좌			1			
702	2	17406203201GB	그릴 COMP			1			
702	3	17406203401SR	사이드 커버 COMP , 우			1			
702	3	17406203402SR	사이드 커버 COMP , 우			1			
702	3	17406203403SR	사이드 커버 COMP , 우			1			
702	4	17406203500GB	네트 , 상/좌			1			
702	5	17406203600GB	네트 , 하/좌			1			
702	6	14446010150	네트와샤(6X14X3)			16			
702	7	V3501600060	스프링 너트			16			
702	8	17406203700GB	네트 , 상/우			1			
702	9	17406203800GB	네트 , 하/우			1			
702	10	18366202500GB	핀 COMP , 후드락			1			
702	11	V2183608020	소형육각볼트보통(SP)			13			
702	12	17406202300GB	후드 프레임 COMP , 전			1			
702	13	12346202431	후드 인슐레이터			2			
702	14	V1122608040	심자흡접시작은나사			4			
702	15	10536202700GB	후드 프레임 COMP , 후			1			
702	15	10536202701GB	후드 프레임 COMP , 후			1			
702	15	10536202702GB	후드 프레임 COMP , 후			1			
702	16	V1122608016	심자흡접시작은나사			4			
702	17	17406203101SR	후드 COMP			1			
702	17	17406203102SR	후드 COMP			1			
702	17	17406203103SR	후드 COMP			1			
702	18	35605033020	와이어인출용와셔			22			
702	19	37371720090	메인하니스 클램프(하)			6			
702	20	V3802600060	플랜지붙이육각너트			24			
702	21	17406203011GB	플레이트 , 상/사이드			4			
702	21	17406203010GB	플레이트 , 상/사이드			4			
702	23	17406203020GB	플레이트 , 중/사이드			2			
702	27	17406525001	헤드램프 ASSY , 우			1			
702	28	17406524001	헤드램프 ASSY , 좌			1			
702	29	36108010080	중자출구스프링(HC016)			2			
702	30	17406203900	인슐레이터 , 후드			1			
702	31	19027210060	나일론너트(M6)			6			
702	34	19959010011	엠블럼			1			
702	34	17406212000	엠블럼 ASSY , V5			1			
702	36	V3802600060	플랜지붙이육각너트			2			
702	37	V4111600080	평와셔			1			
702	38	13016202060	후드 핀			1			
702	39	V5001925020	핀			1			
702	40	13016202804GB	후드 힌지 플레이트 COMP			1			
702	40	13016202805GB	플레이트 COMP , 보닛 힌지			1			
702	40	13016202806GB	플레이트 COMP , 보닛 힌지			1			
NOTE									



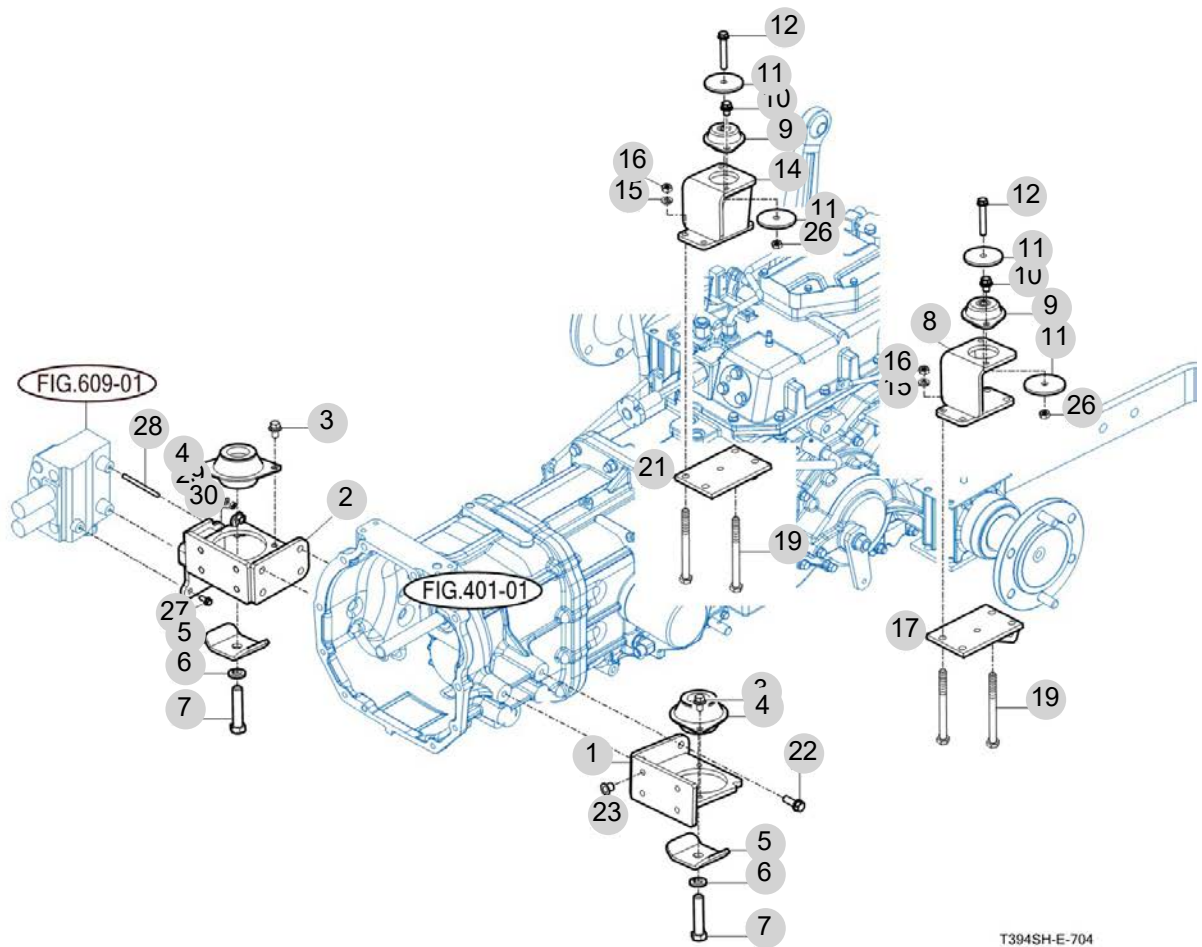
FIG 704

T395SHEU

FRONT & REAR MOUNTING

년/월  
Year/Month

2022-12



T394SH-E-704

NOTE



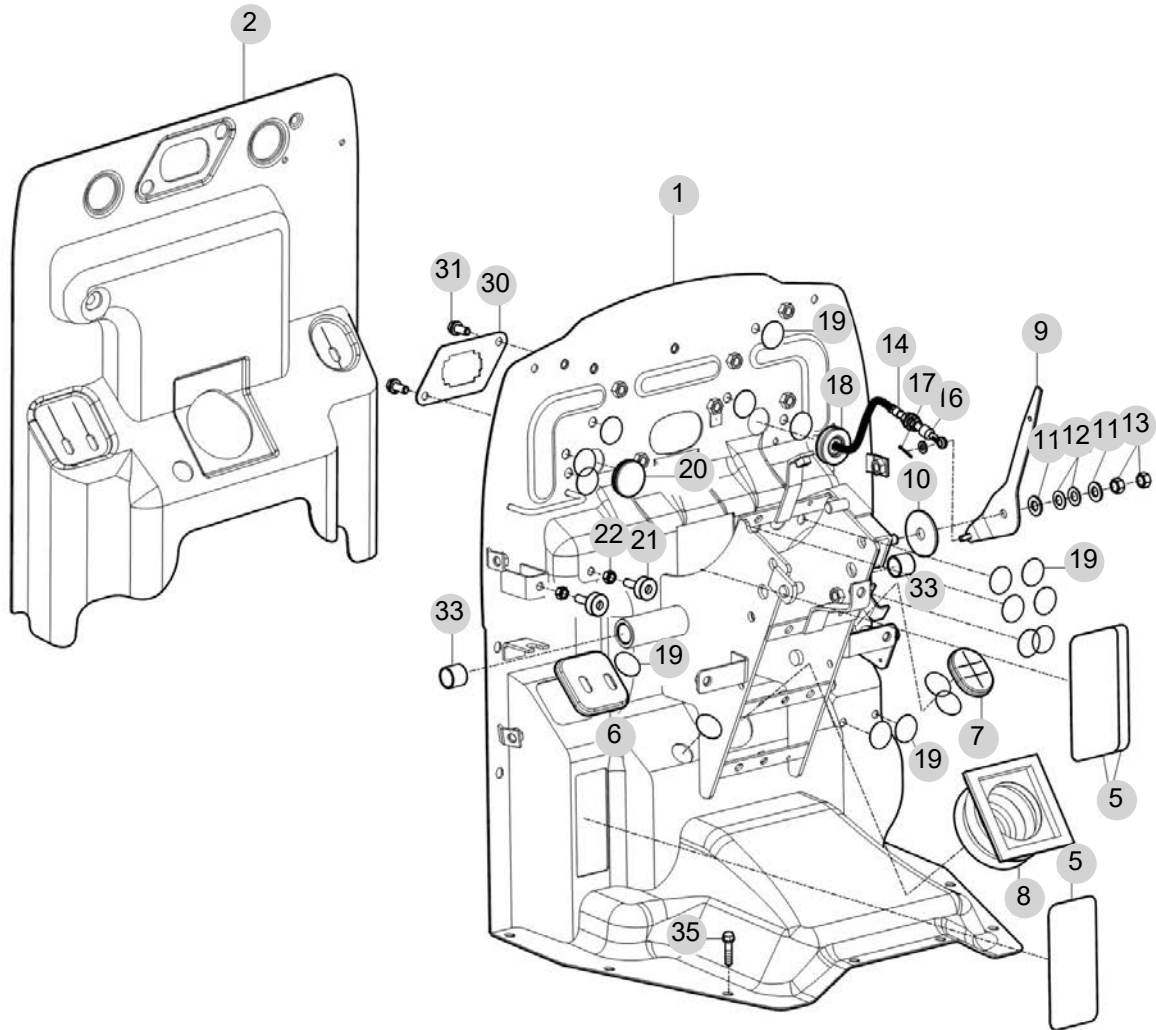
FIG 705

T395SHEU

DASHBOARD

년/월  
Year/Month

2022-12



NOTE





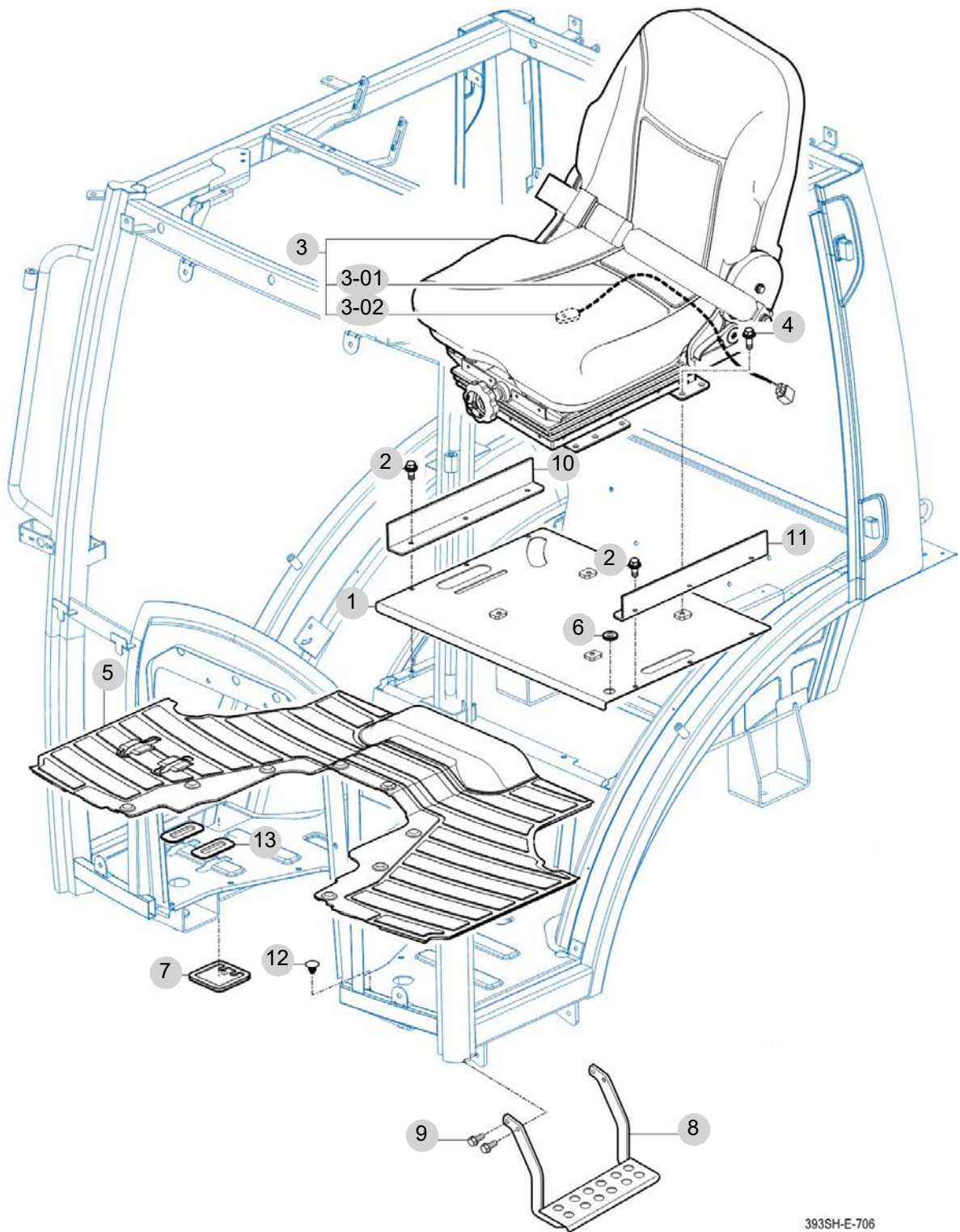
FIG 706

T395SHEU

SEAT & MAT

년/월  
Year/Month

2022-12



393SH-E-706

NOTE



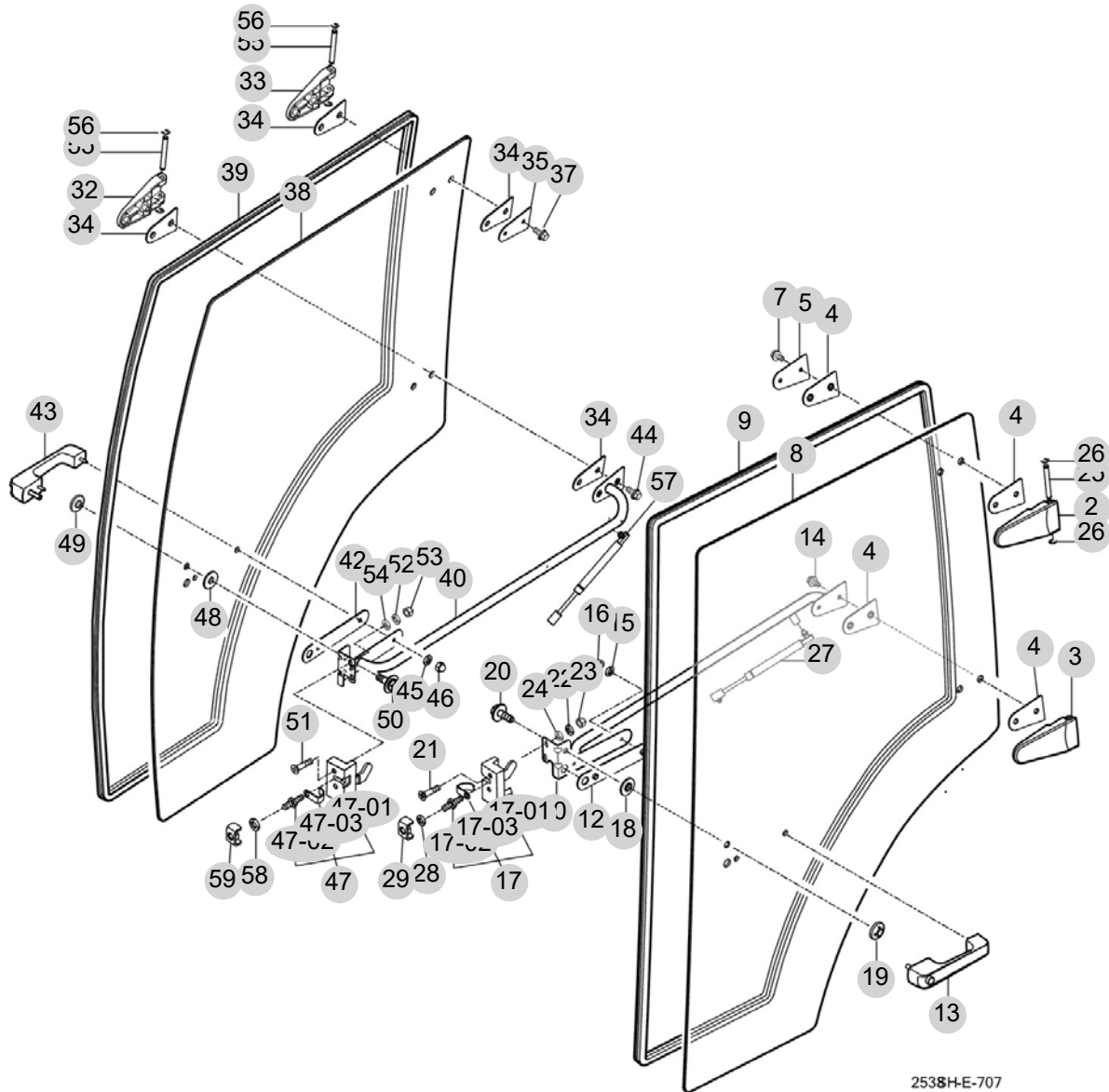
FIG 707

T395SHEU

DOOR

년/월  
Year/Month

2022-12



NOTE

FIG 707		DOOR					년/월 Year/Month		
							2022-12		
T395SHEU		KEY NO	PART NO	DESCRIPTION	SPEC	QTY	REPAIR	EFFECTIVE DATE	REMARKS
707	2	14527052300	도어힌지조합, 상/LH			1			
707	3	14527052400	도어힌지조합, 상/RH			1			
707	4	14527052110	개스킷, 도어힌지			4			
707	5	14527052120GB	플레이터,도어힌지			1			
707	7	V2183608020	소형육각볼트보통(SP)	M8X20		2			
707	8	12397052211	그라스, 도어/LH	6t		1			
707	9	12397042200	인슐레이터, 도어			1			
707	10	12397022500GB	가이드 조합, LH/도어			1			
707	12	14527052150	개스킷, 도어손잡이			1			
707	13	14527052600	잠금장치 손잡이ASSY			1			
707	14	V2183608020	소형육각볼트보통(SP)	M8X20		2			
707	15	V4011600060	스프링와셔	M6		2			
707	16	V3402700060	육각캡너트	M6		2			
707	17	14527052700	록크SET,LH/도어			1			
707	17-01	14527052710	록ASSY,LH/도어			1			
707	17-02	14527052720	스트라이크			1			
707	17-03	14527052730	가이드			1			
707	18	15817401130	크로메트(13X17X02)			1			
707	19	14527042500	그라스너트조합			1			
707	20	V2193606012	육각볼트(SPL)	M6X12		1			
707	21	V1122608040	심자흡점시작은나사	M8X40		2			
707	22	V4011600080	스프링와셔	M8		2			
707	23	V3402700080	육각캡너트	M8		2			
707	24	V4111600080	평와셔			2			
707	25	14527041110	핀, 도어힌지	D=8		2			
707	26	V7082400070	E형멈춤링(sus)	7		4			
707	27	14527301080	댐퍼(도어)ASSY_20kg	20KG		1			
707	28	V4011600100	스프링와셔	M10		1			
707	29	14527062500GB	브래킷 조합,도어록			1			
707	32	14527052300	도어힌지조합, 상/LH			1			
707	33	14527052400	도어힌지조합, 상/RH			1			
707	34	14527052110	개스킷, 도어힌지			4			
707	35	14527052120GB	플레이터,도어힌지			1			
707	37	V2183608020	소형육각볼트보통(SP)	M8X20		2			
707	38	12397052111	그라스, 도어/RH	6t		1			
707	39	12397042200	인슐레이터, 도어			1			
707	40	12397024000GB	가이드 조합, RH/도어			1			
707	42	14527052150	개스킷, 도어손잡이			1			
707	43	14527052600	잠금장치 손잡이ASSY			1			
707	44	V2183608020	소형육각볼트보통(SP)	M8X20		2			
707	45	V4011600060	스프링와셔	M6		2			
707	46	V3402700060	육각캡너트	M6		2			
707	47	14527053700	록크SET,RH/도어			1			
707	47-01	14527053710	록크ASSY,RH/도어			1			
707	47-02	14527052720	스트라이크			1			
NOTE									



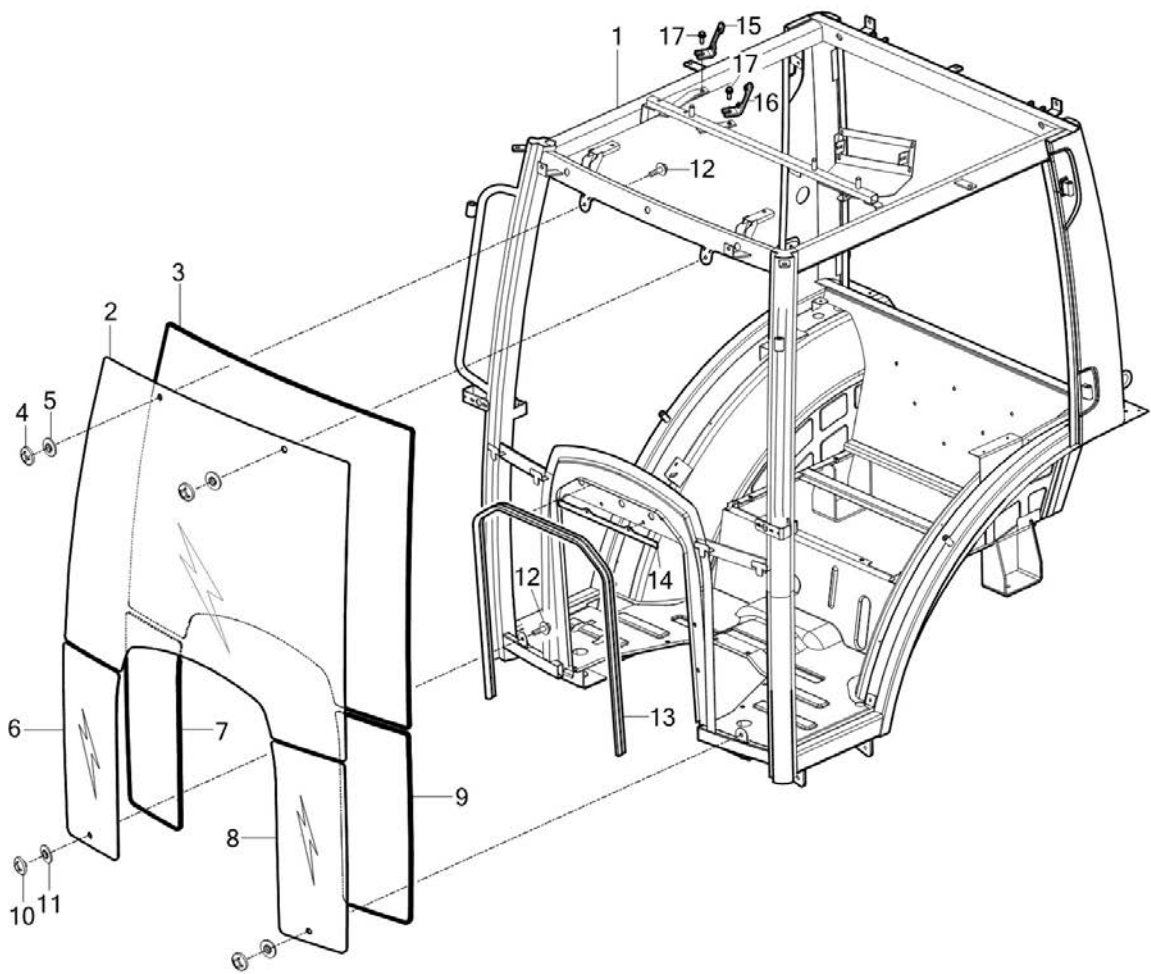
FIG 708

T395SHEU

FRONT GLASS

년/월  
Year/Month

2022-12



NOTE

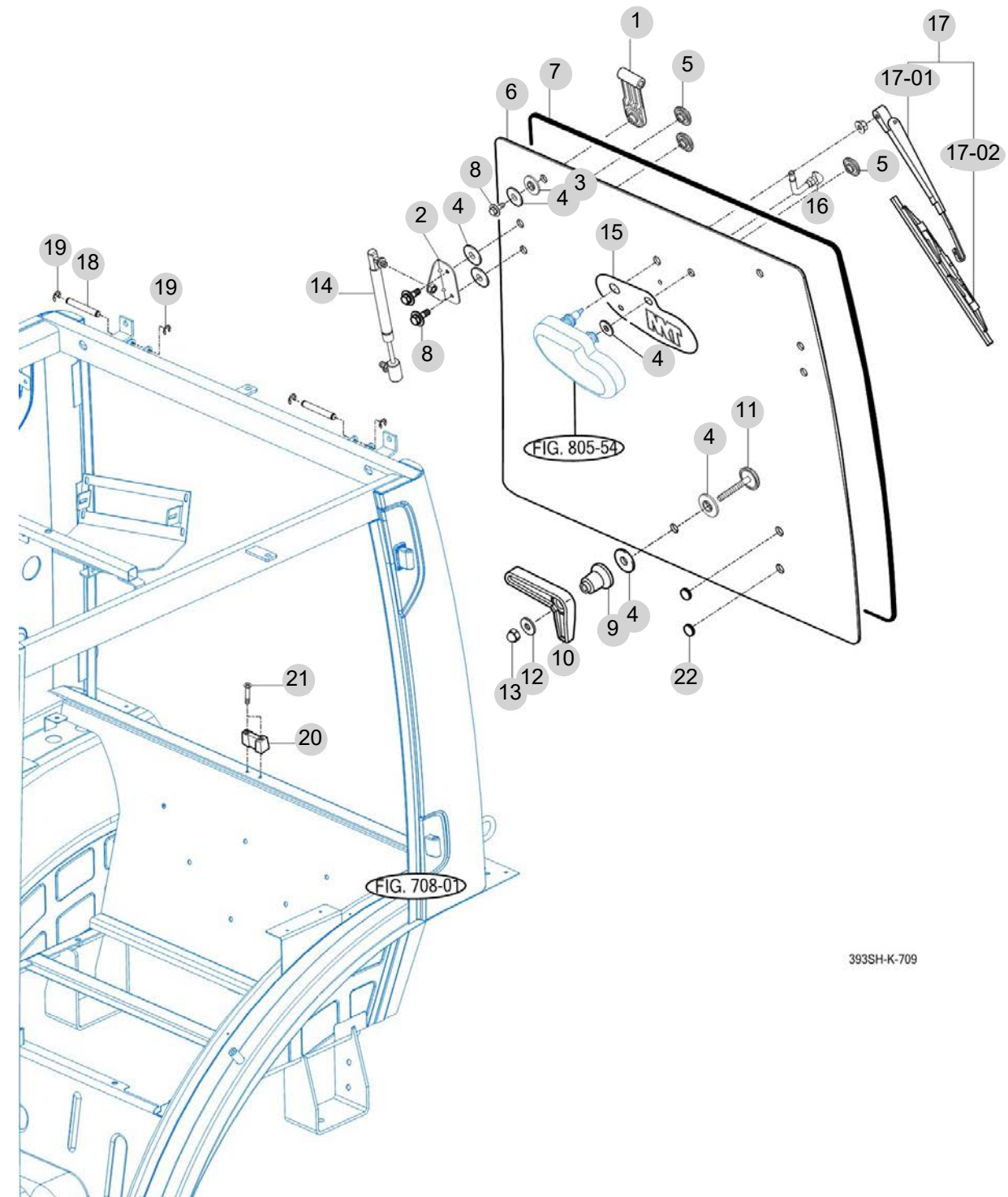


FIG 709

REAR GLASS

년/월  
Year/Month

2022-12



393SH-K-709

NOTE





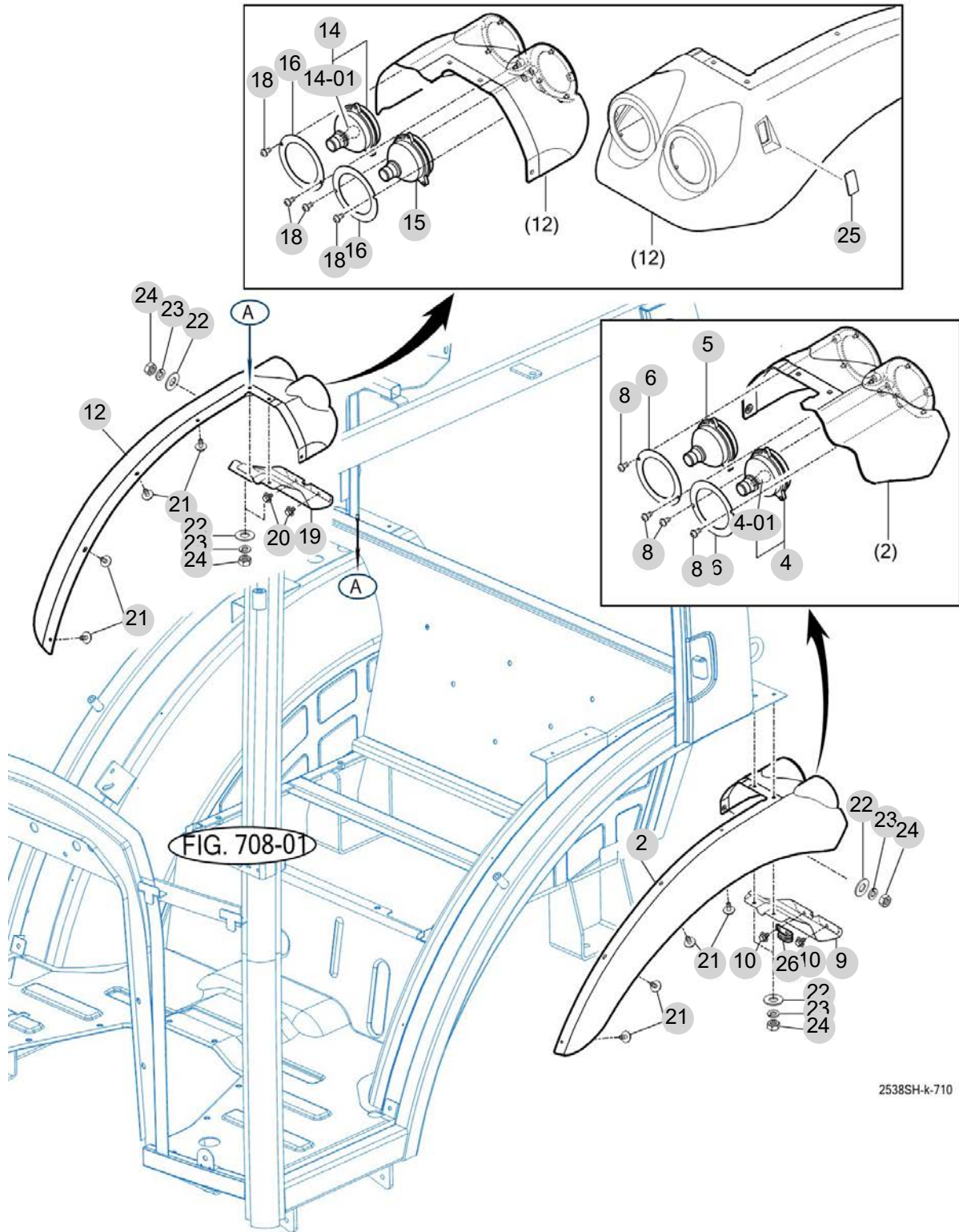
FIG 710

T395SHEU

SUB FENDER & COVER

년/월  
Year/Month

2022-12



2538SH-k-710

NOTE



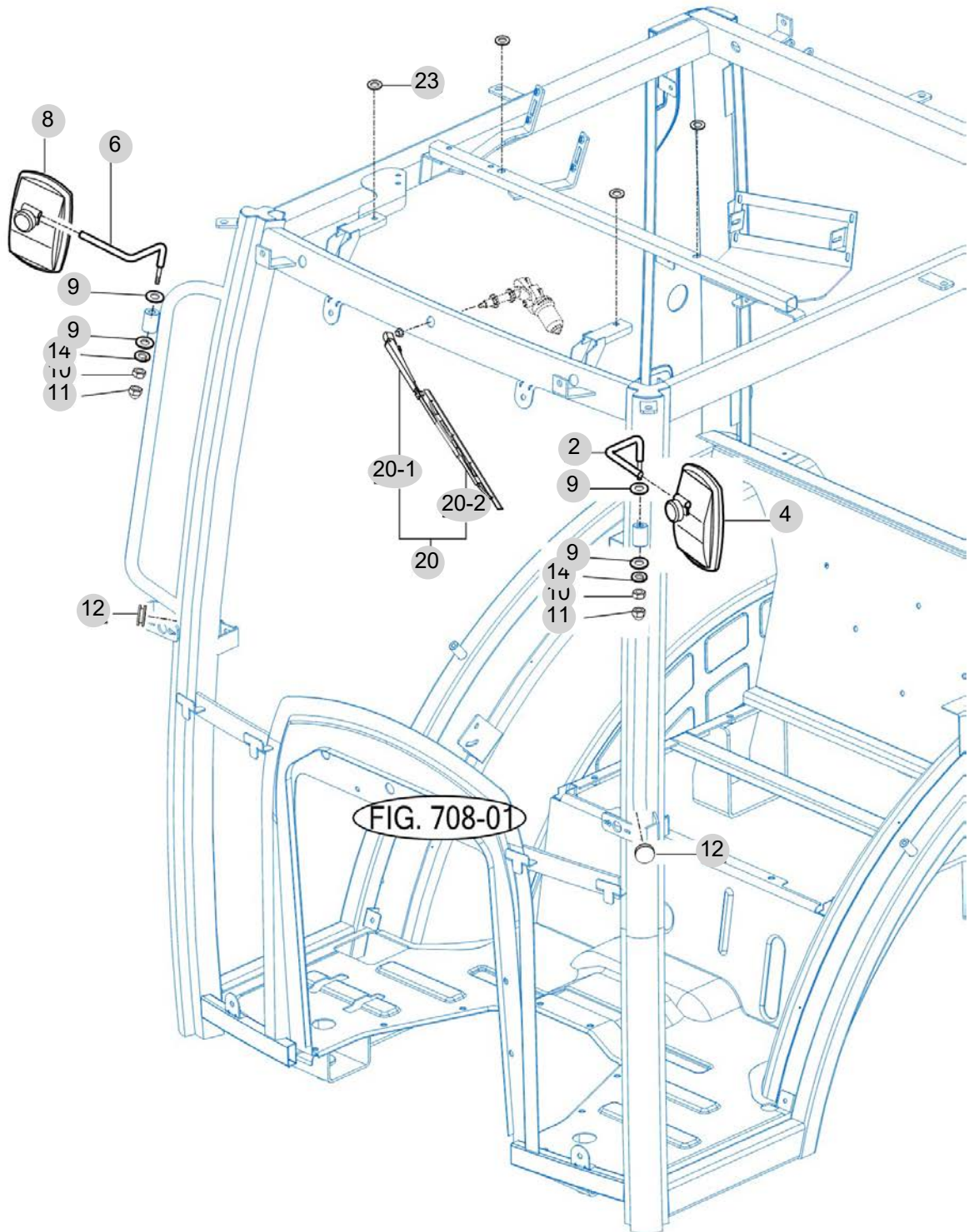
FIG 711

T395SHEU

MIRROR

년/월  
Year/Month

2022-12



NOTE



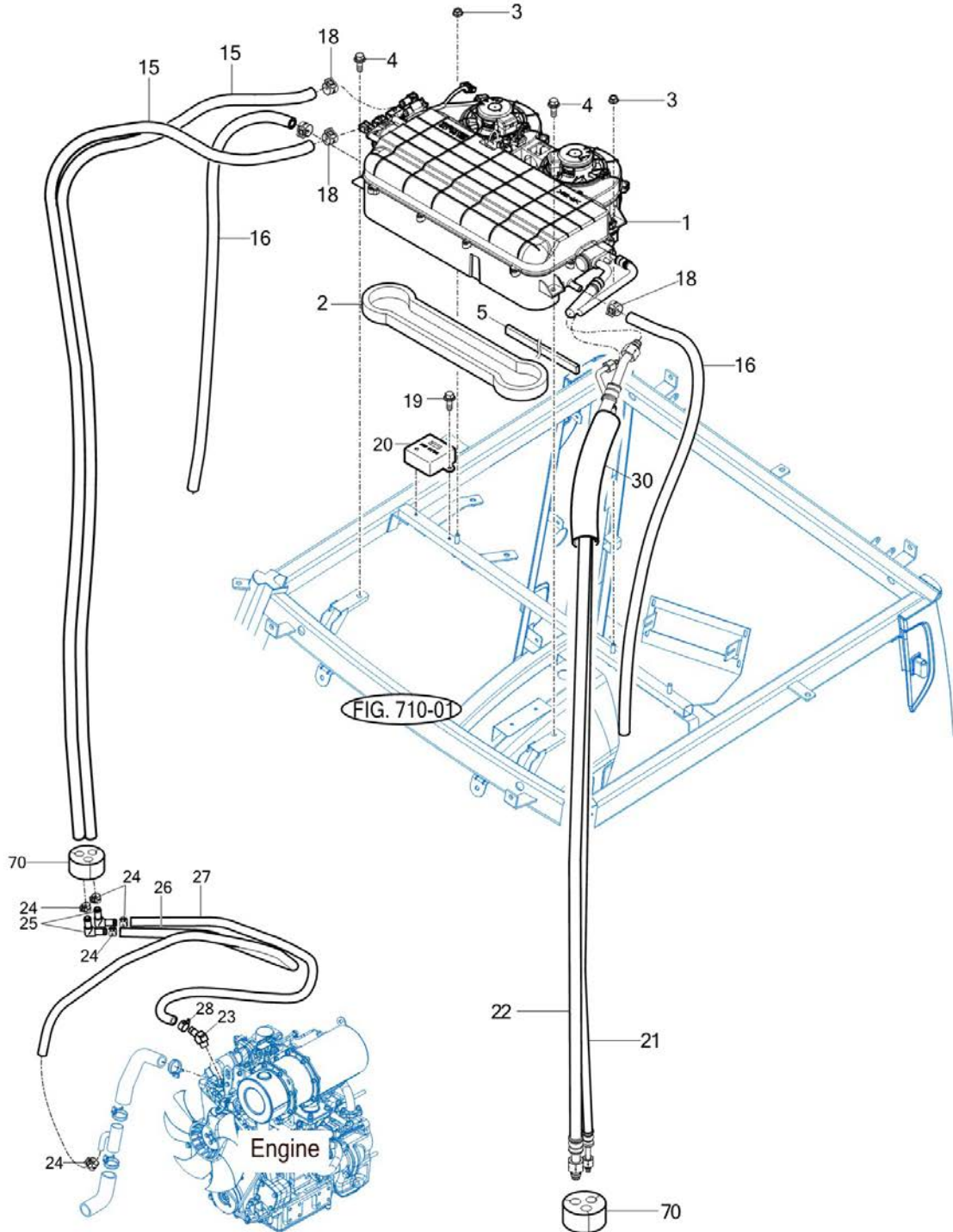
FIG 712-1

HEATER & AIR-CON

년/월  
Year/Month

2022-12

T395SHEU



T394SH-K-712

NOTE



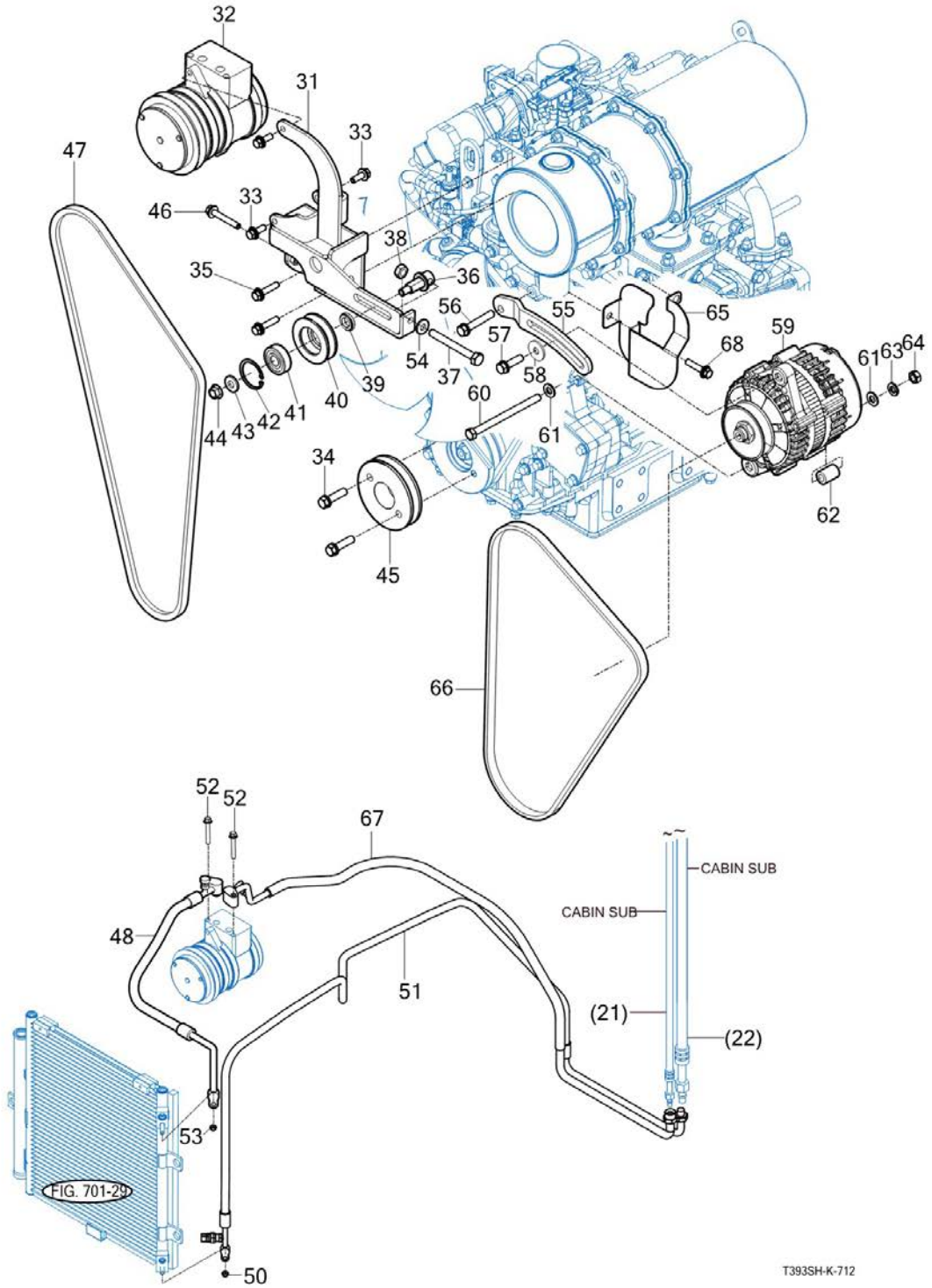
FIG 712-2

HEATER & AIR-CON

년/월  
Year/Month

2022-12

T395SHEU



T393SH-K-712

NOTE





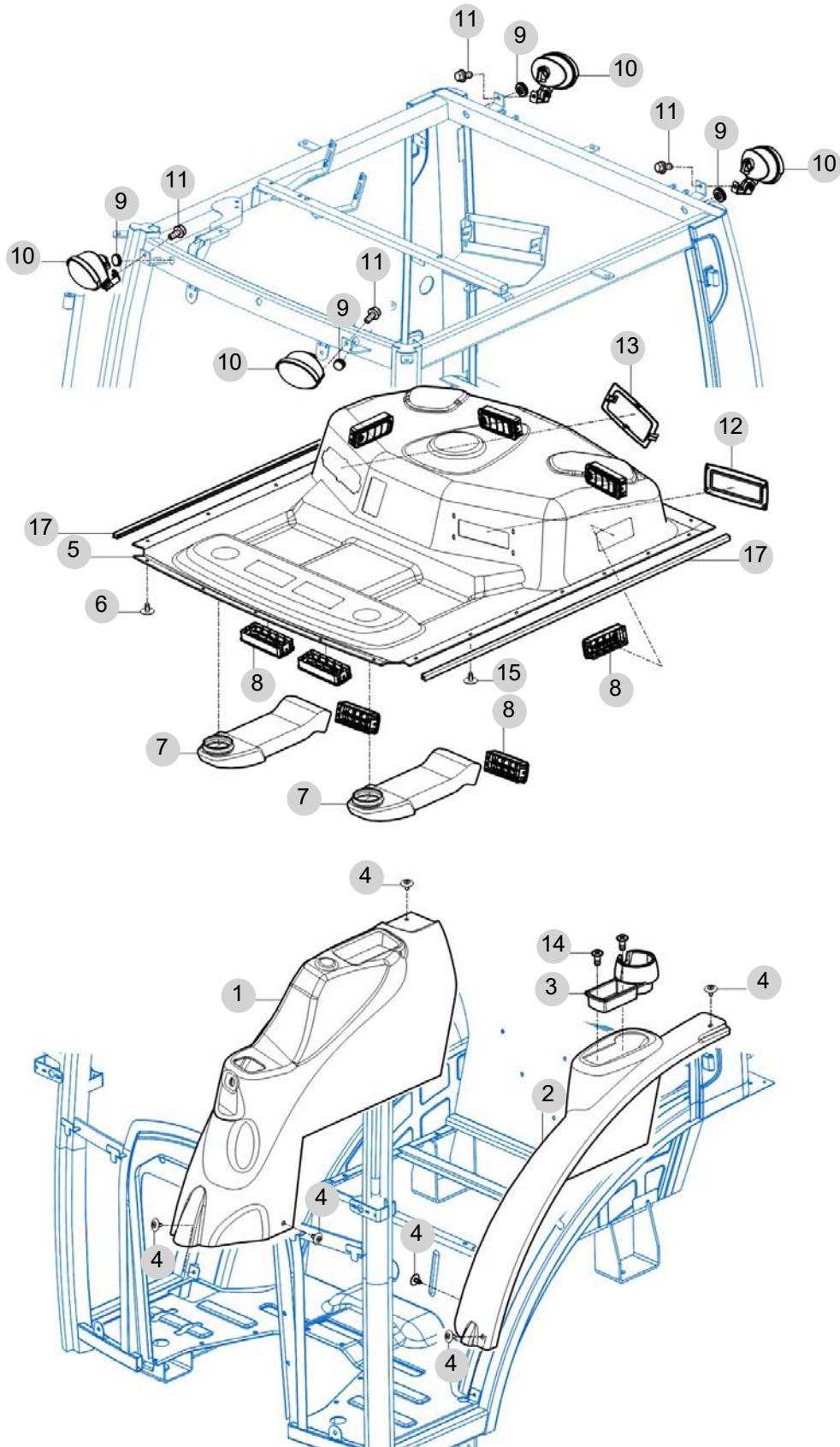
FIG 713

FENDER COVER

년/월  
Year/Month

2022-12

T395SHEU



NOTE



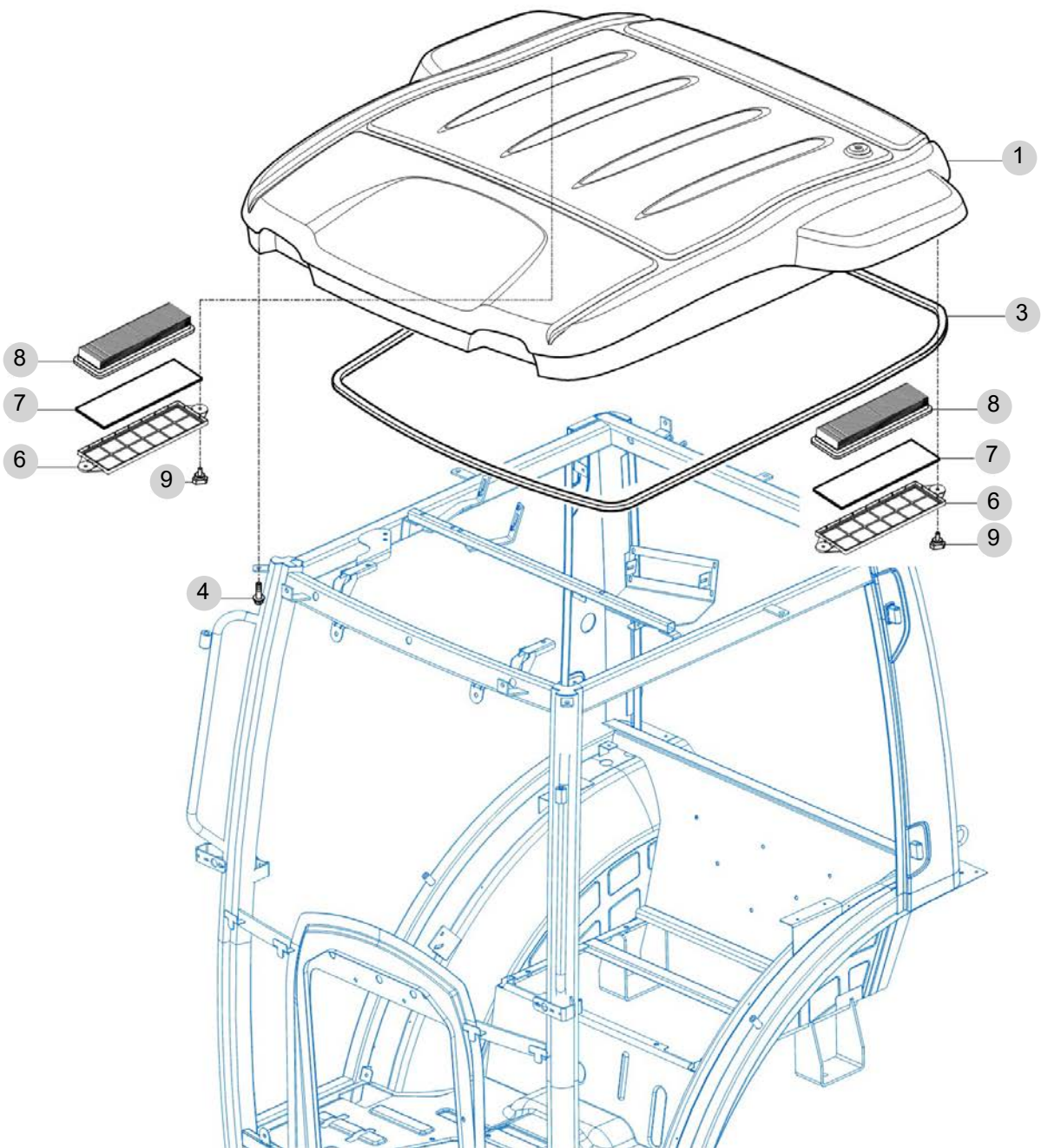
FIG 714

T395SHEU

ROOF

년/월  
Year/Month

2022-12



NOTE

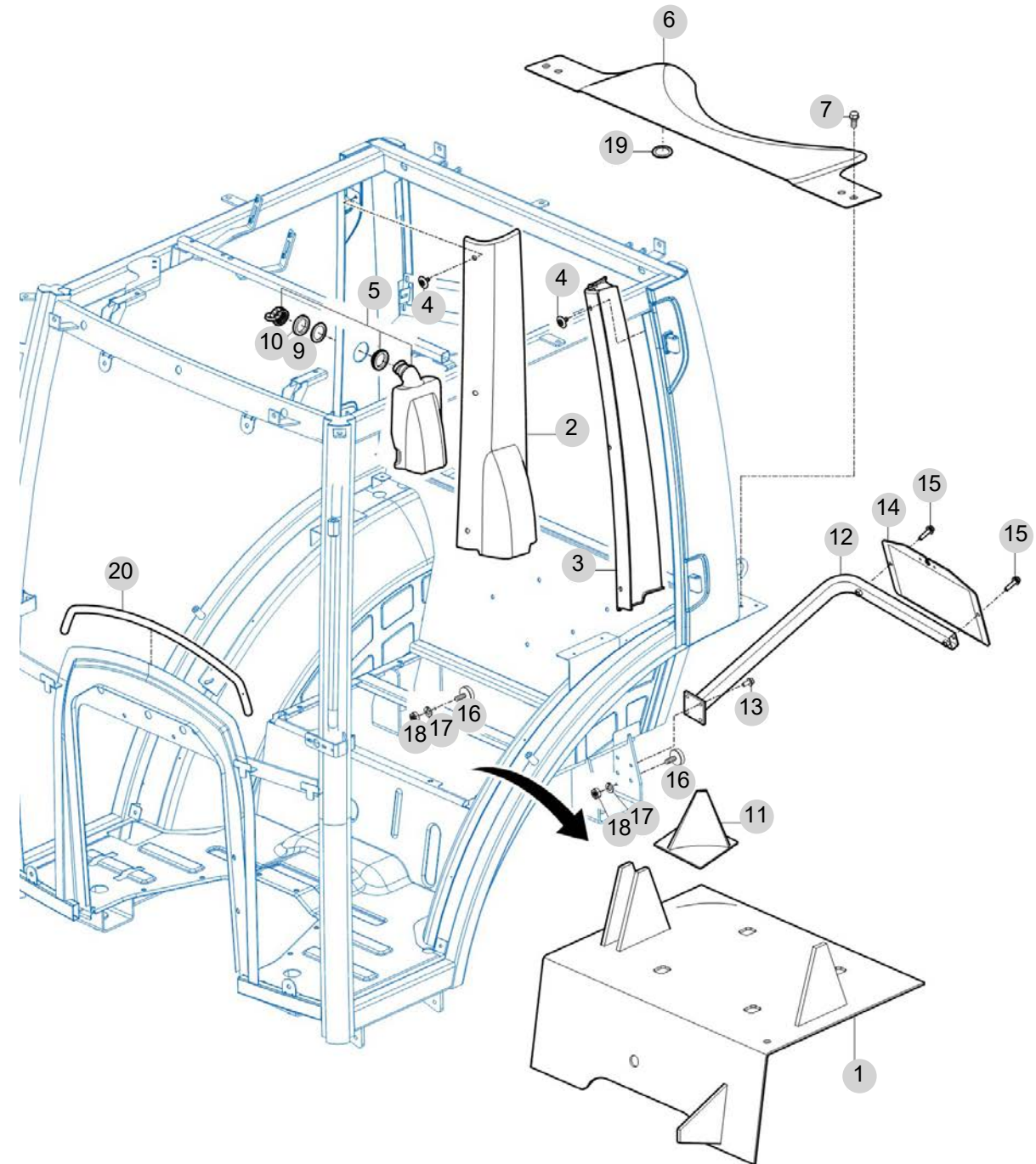


FIG 715

CABIN INTERIOR

년/월  
Year/Month

2022-12



NOTE



## 8. 전장 PART NO. T8

FIG 801 BATTERY & MOUNTING	185
FIG 802 LIGHTS	187
FIG 803 INSTRUMENT PANEL	189
FIG 804 ELECTRIC SYSTEM	191
FIG 805 HARNESS (1)	193
FIG 806 HARNESS (2)	195



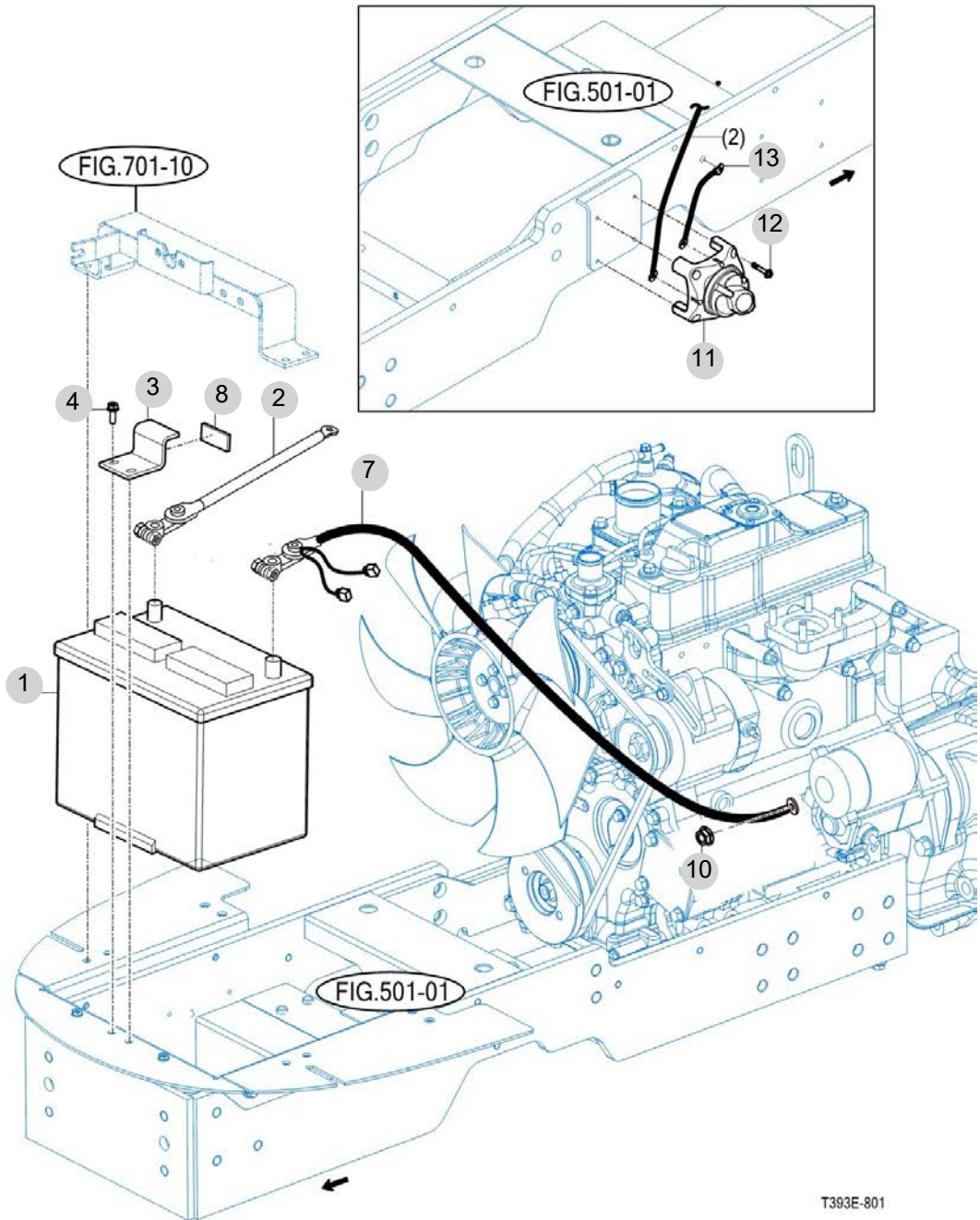
FIG 801

T395SHEU

BATTERY & MOUNTING

년/월  
Year/Month

2022-12



NOTE



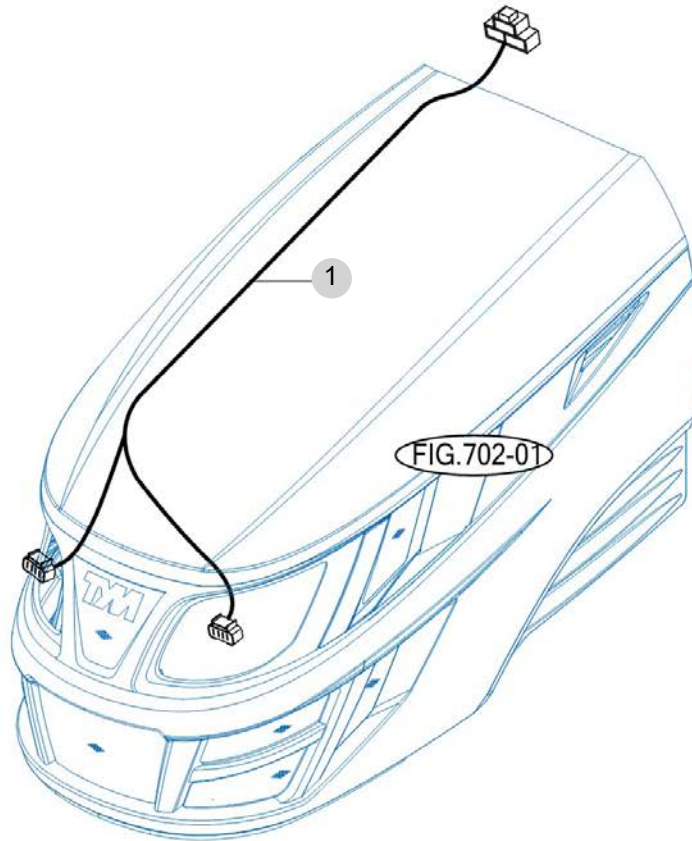
FIG 802

T395SHEU

LIGHTS

년/월  
Year/Month

2022-12



NOTE



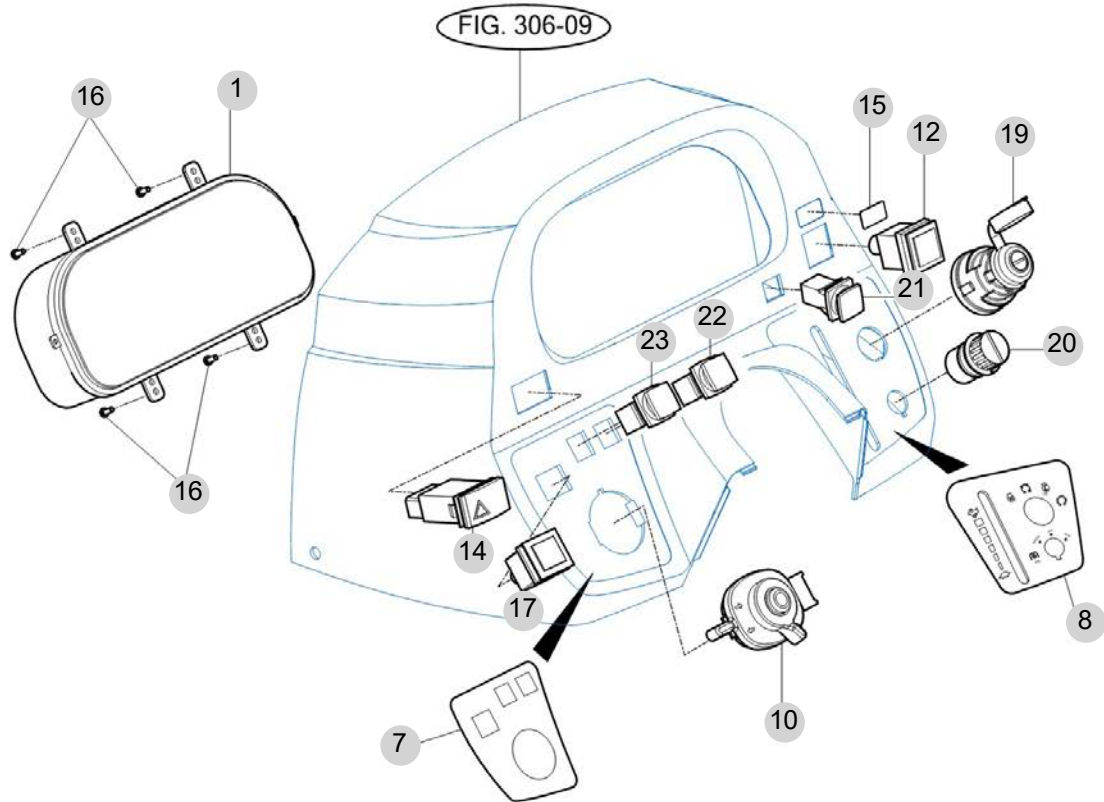
FIG 803

T395SHEU

INSTRUMENT PANEL

년/월  
Year/Month

2022-12



NOTE



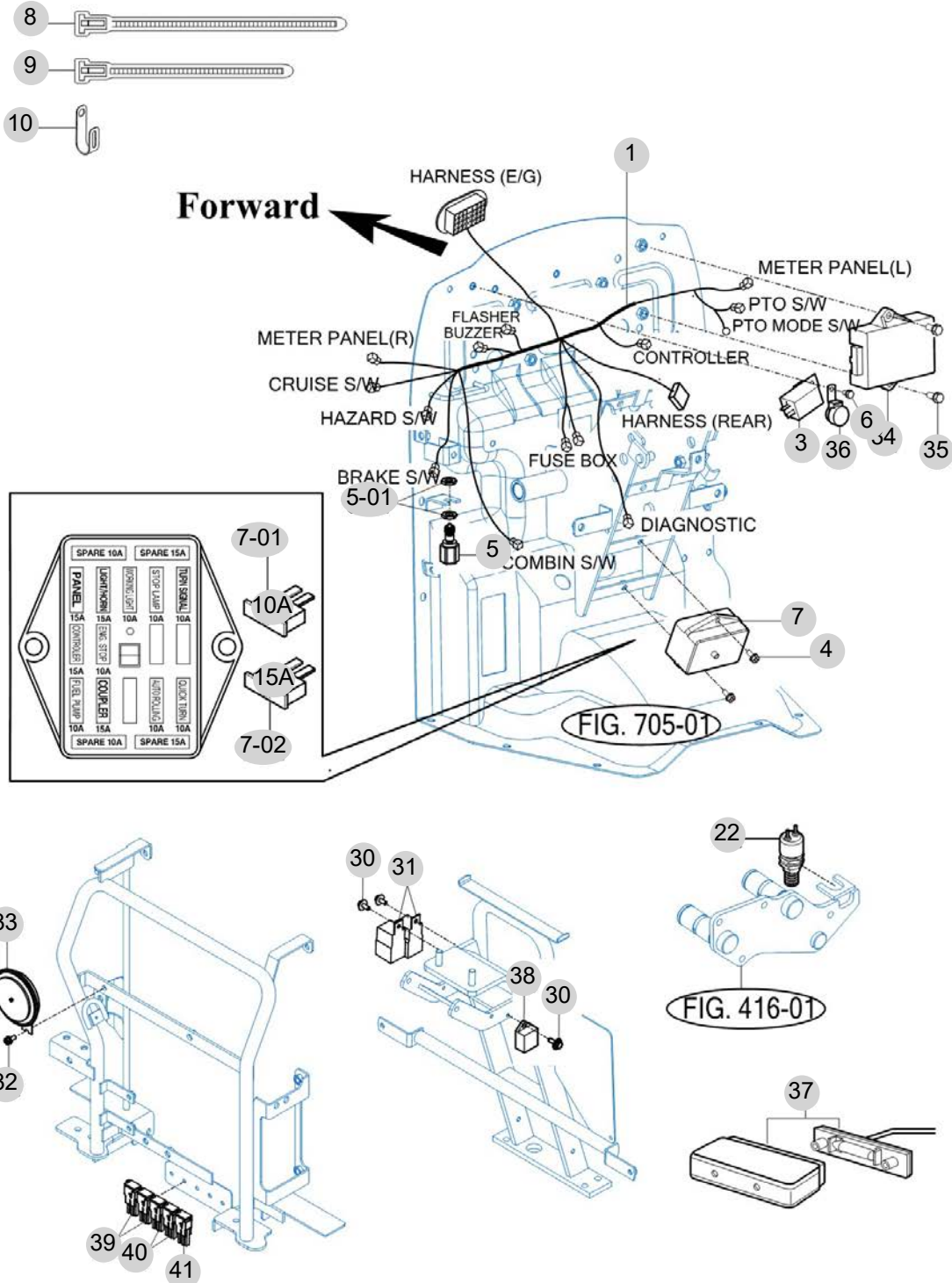
FIG 804

T395SHEU

ELECTRIC SYSTEM

년/월  
Year/Month

2022-12



T393SH-E-804

NOTE





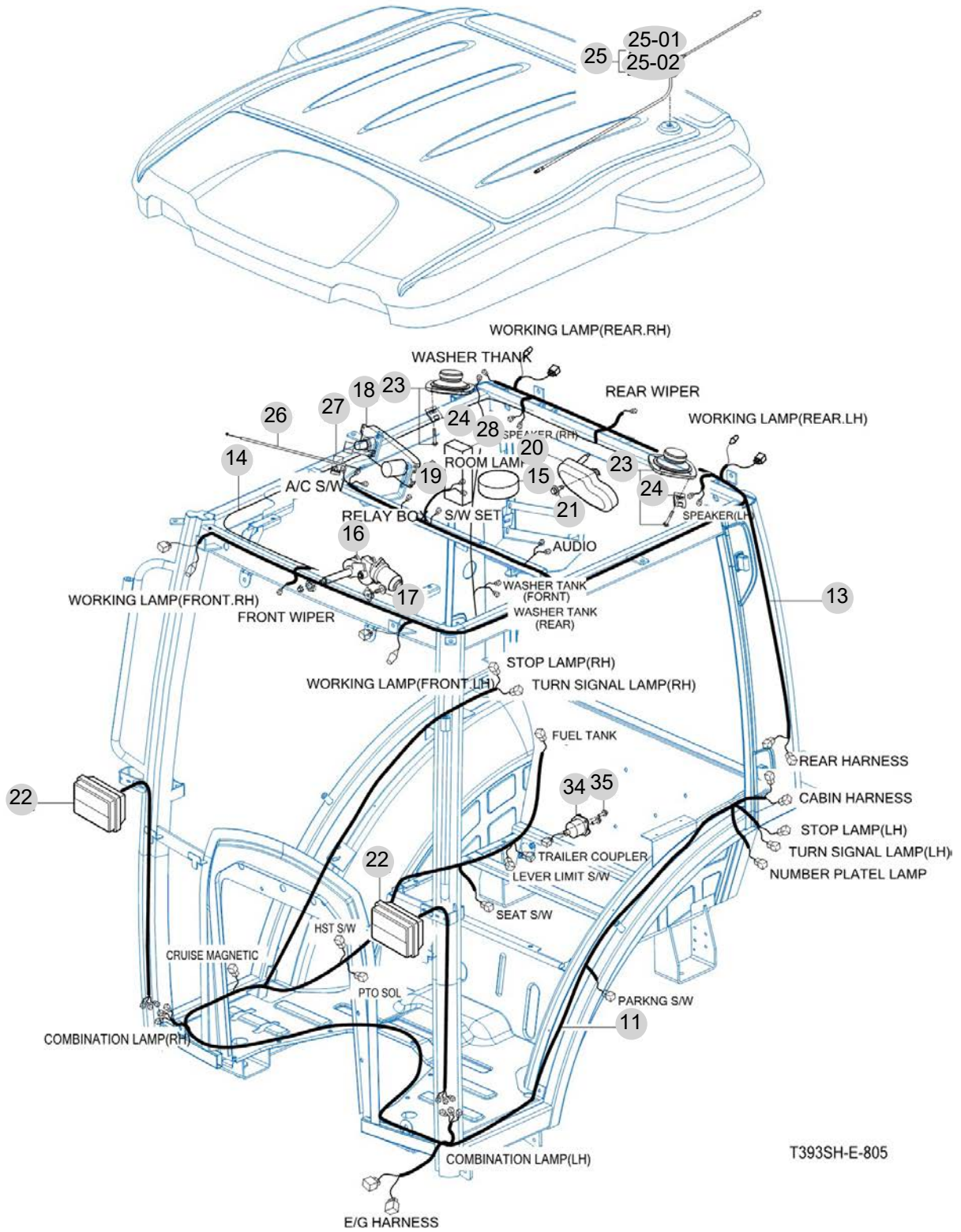
FIG 805

HARNESS (1)

년/월  
Year/Month

2022-12

T395SHEU



NOTE



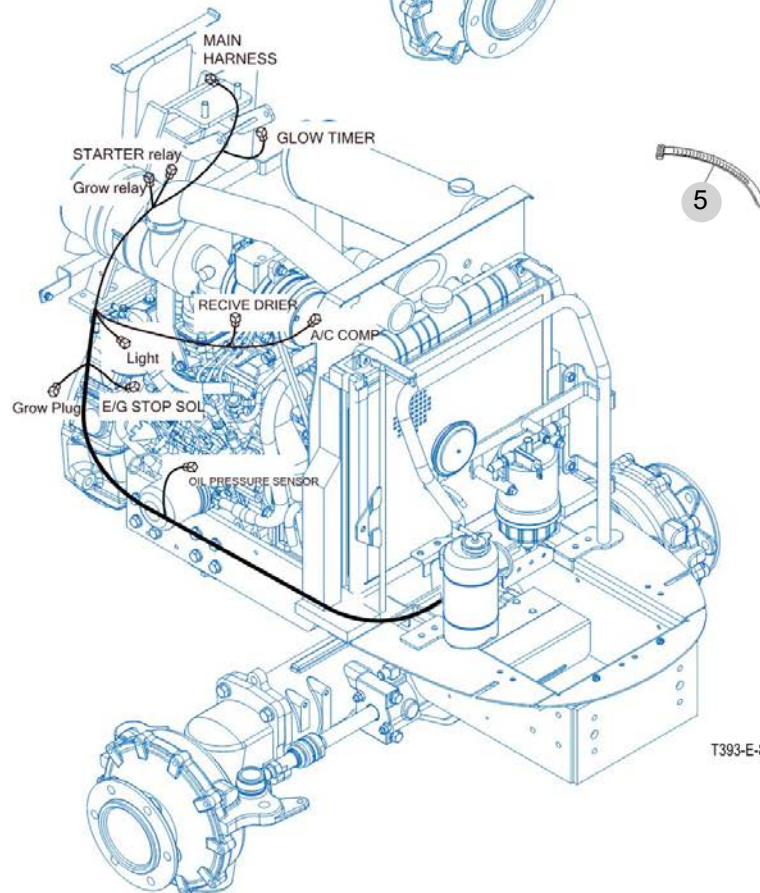
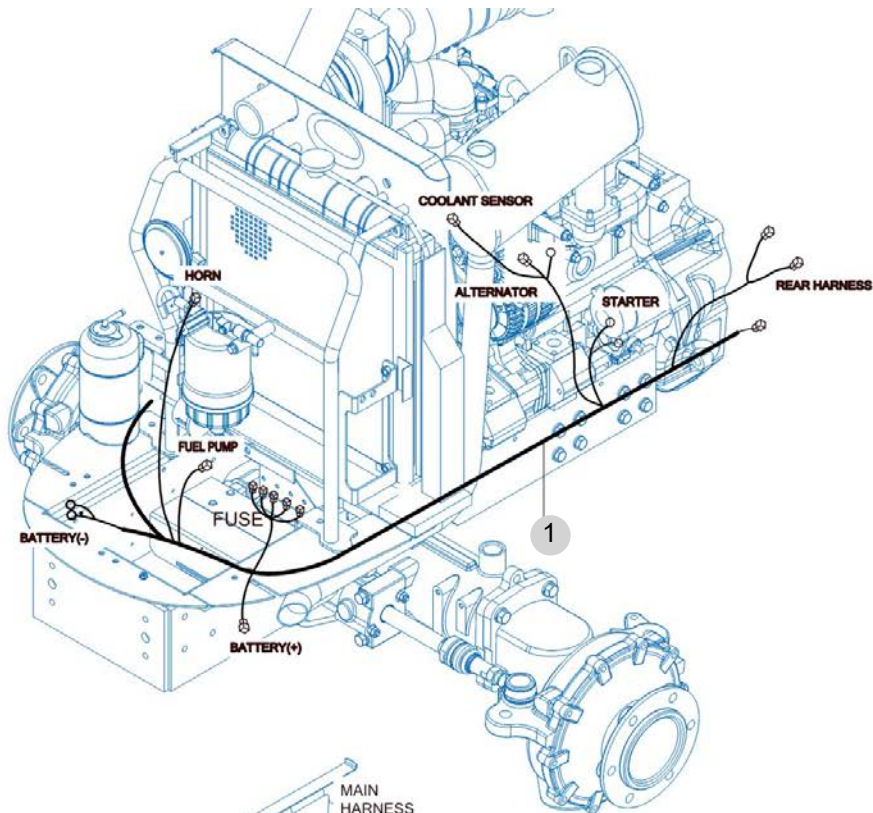
FIG 806

HARNESS (2)

년/월  
Year/Month

2022-12

T395SHEU



T393-E-806

NOTE



## 9. 라벨/옵션 PART NO. T9

FIG 901 TOOL & ACCESSORY	198
FIG 902-1 LABEL	200
FIG 902-2 LABEL	203
FIG 903 WEIGHT	206

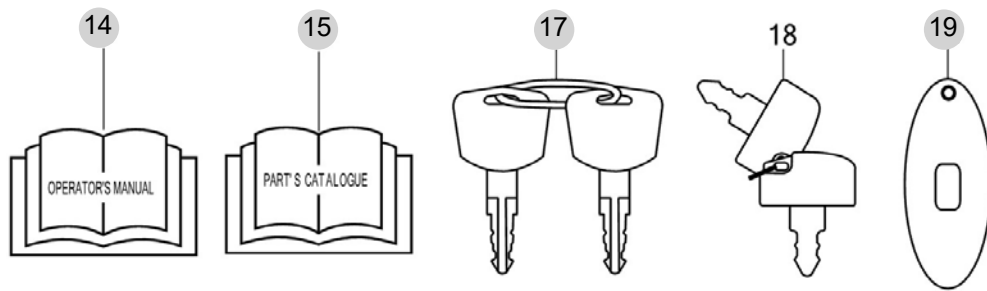
FIG 901

T395SHEU

TOOL & ACCESSORY

년/월  
Year/Month

2022-12



T393-E-901

NOTE



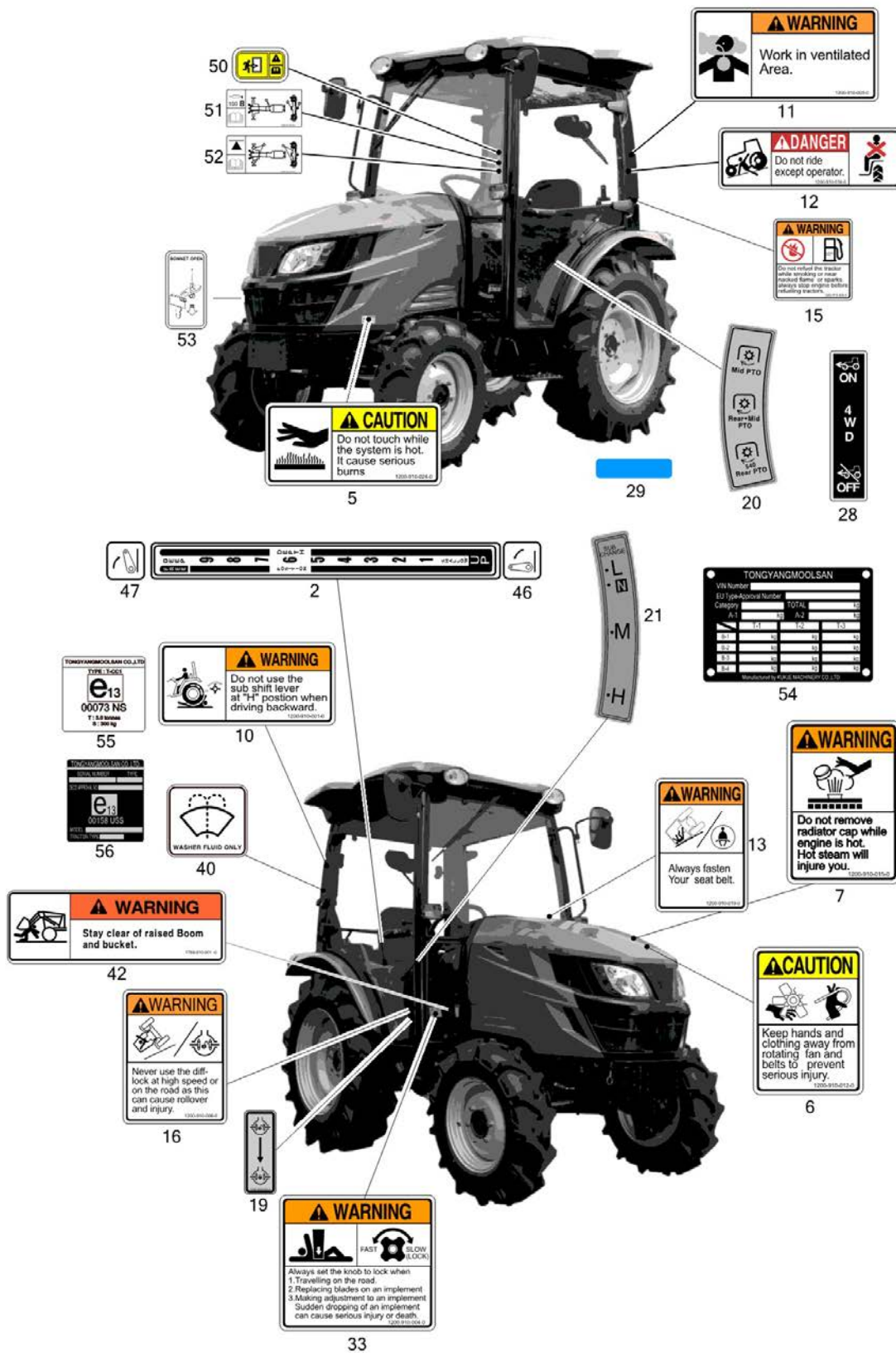
FIG 902-1

LABEL

년/월  
Year/Month

T395SHEU

2022-12



NOTE



FIG 902-1 T395SHEU		LABEL					년/월 Year/Month	
							2022-12	
KEY NO	PART NO	DESCRIPTION	SPEC	QTY	REPAIR	EFFECTIVE DATE	REMARKS	
902-1	2	12389040040	유압컨트롤마크		1			
902-1	3	12009100020	라벨, 경고/파킹		1			
902-1	4	12009100070	라벨, 경고/브레이크		1			
902-1	5	12009100240	라벨, 주의/소음기		1			
902-1	6	12009100120	라벨, 주의/팬		2			
902-1	7	12009100150	라벨, 경고/라디에이터캡		1			
902-1	8	12009100230	라벨, 주의/취급		1			
902-1	9	12009100130	라벨, 위험/PTO		1			
902-1	10	12009100010	라벨, 경고/부변속		1			
902-1	11	12009100030	라벨, 경고/배기가스		1			
902-1	12	12009100160	라벨, 위험/동승금지		1			
902-1	13	12009100190	라벨, 경고/안전벨트		1			
902-1	14	12009100210	라벨, 경고/스로틀		1			
902-1	15	12009100050	라벨, 경고/화기염금		1			
902-1	16	12389100060	라벨, 경고/차동고정		1			
902-1	17	12009100140	라벨, 경고/견인		1			
902-1	18	17689100170	라벨, 주의/안전		1			
902-1	19	12389200050	라벨, 취급/차동고정		1			
902-1	20	12519100040	라벨(PTO, M+R)		1			
902-1	21	14979010070	라벨(부변속)		1			
902-1	23	13749010042	마크, /T395		2			
902-1	23	13749010041	마크, T395		2			
902-1	28	12389430040	4WD마크		1			
902-1	29	14726400010	막음씰(핸드브레이크)		1			
902-1	32	12609040620	경고(스타트)		1			
902-1	33	12389100040	라벨, 경고/스톱밸브		1			
902-1	37	12009100080	라벨, 경고/틸트		1			
902-1	38	14729020110	라벨(위험)		1			
902-1	39	18711201100	라벨, 초저유황경유		1			
902-1	40	12399042110	라벨, 워셔액		1			
902-1	42	17699100100	라벨, 경고/조이스틱밸브		1			
902-1	43	12009100111	라벨, 위험/에어콘		1			
902-1	44	12209041222	내.외기순환명판		1			
902-1	45	17699100090	라벨, 경고/조이스틱		1			
902-1	46	12389040190	명판(승강장치/하강) CONTROL ID		1			
902-1	47	12389040200	명판(승강장치/상승) CONTROL ID		1			
902-1	48	12389040920	라벨(보조유압/A)		1			
902-1	49	15189030060	포트마크(A)		1			
902-1	50	12149020110	라벨, 비상탈출		1			
902-1	51	12519100130	라벨, 그리스		1			
902-1	52	12519100140	라벨, 잭포인트		1			
902-1	53	12137025120	라벨, 본넷 오픈		1			
902-1	54	15829040220	제조사 식별명판(EU)		1			
902-1	55	12519040230	드로바명판		1			
902-1	56	13769045040	형식명판(CABIN)		1			
NOTE								



FIG 902-2

T395SHEU

LABEL

년/월  
Year/Month

2022-12

**WARNING**  
Always apply the park brake when parking. Failure to do so can cause accidents and damages. 1200-910-022-0 3

**WARNING**  
Do not use the accelerator lever except working on the field. 1200-910-021-0 14

**WARNING**  
Start engine only from operators seat. If safety start switch is bypassed engine can start with transmission in gear.  
Do not connect or short across terminal on starter solenoid.  
Attach booster cables as shown on battery decal and operators manual.  
Starting in gear causing runaway can result in serious injury. 32

**Operator's manual**  
1200-910-023-0 8

**DANGER**  
Start only from seat in park or neutral  
Starting in gear 38

**WARNING**  
Do not adjust the tilt handle when traveling. 1200-910-026-0 37

**WARNING**  
Brake pedals must always be locked together when travelling on the highway. This will ensure uniform braking and provide maximum stopping ability sharp turns must only be made at slow speeds. 1200-910-007-0 4

**WARNING**  
Attach implements and trailers to the tractor only using the prescribed drawbar or hitch. 1200-910-014-0 17

**DANGER**  
Rotating driveline contact can cause death. KEEP AWAY!  
Keep all drive line, Tractor and equipment shields in place during operation. 1200-910-012-0 9

**WARNING**  
Push the button to lock position with joystick lever is neutral whenever the implement is not operation. 1200-910-029-0 45

**Inner/Outer air Ventilation**  
When grills of rear and both sides are opened, inner air will ventilate in.  
For effective use, open it when operate heater or air conditioner and close when ventilate fresh air. 1200-910-011-0 44

**DANGER**  
Periodic ventilation should be made to avoid suffocation while heating and air conditioning is used. Sleeping in the cab is prohibited. 1200-910-011-0 43

**EPA REGULATION**  
USE ULTRA LOW SULFUR FUEL ONLY 39

**T395**  
23

**TYM**  
60

**A** ← **N** → 48

**A** 49

NOTE

FIG 902-2 T395SHEU		LABEL					년/월 Year/Month	
							2022-12	
KEY NO	PART NO	DESCRIPTION	SPEC	QTY	REPAIR	EFFECTIVE DATE	REMARKS	
902-2	2	12389040040	유압컨트롤마크		1			
902-2	3	12009100020	라벨, 경고/파킹		1			
902-2	4	12009100070	라벨, 경고/브레이크		1			
902-2	5	12009100240	라벨, 주의/소음기		1			
902-2	6	12009100120	라벨, 주의/팬		2			
902-2	7	12009100150	라벨, 경고/라디에이터캡		1			
902-2	8	12009100230	라벨, 주의/취급		1			
902-2	9	12009100130	라벨, 위험/PTO		1			
902-2	10	12009100010	라벨, 경고/부변속		1			
902-2	11	12009100030	라벨, 경고/배기가스		1			
902-2	12	12009100160	라벨, 위험/동승금지		1			
902-2	13	12009100190	라벨, 경고/안전벨트		1			
902-2	14	12009100210	라벨, 경고/스로틀		1			
902-2	15	12009100050	라벨, 경고/화기염금		1			
902-2	16	12389100060	라벨, 경고/차동고정		1			
902-2	17	12009100140	라벨, 경고/견인		1			
902-2	18	17689100170	라벨, 주의/안전		1			
902-2	19	12389200050	라벨, 취급/차동고정		1			
902-2	20	12519100040	라벨(PTO, M+R)		1			
902-2	21	14979010070	라벨(부변속)		1			
902-2	23	13749010042	마크, /T395		2			
902-2	23	13749010041	마크, T395		2			
902-2	28	12389430040	4WD마크		1			
902-2	29	14726400010	막음씰(핸드브레이크)		1			
902-2	32	12609040620	경고(스타트)		1			
902-2	33	12389100040	라벨, 경고/스톱밸브		1			
902-2	37	12009100080	라벨, 경고/틸트		1			
902-2	38	14729020110	라벨(위험)		1			
902-2	39	18711201100	라벨, 초저유황경유		1			
902-2	40	12399042110	라벨, 워셔액		1			
902-2	42	17699100100	라벨, 경고/조이스틱밸브		1			
902-2	43	12009100111	라벨, 위험/에어콘		1			
902-2	44	12209041222	내.외기순환명판		1			
902-2	45	17699100090	라벨, 경고/조이스틱		1			
902-2	46	12389040190	명판(승강장치/하강) CONTROL ID		1			
902-2	47	12389040200	명판(승강장치/상승) CONTROL ID		1			
902-2	48	12389040920	라벨(보조유압/A)		1			
902-2	49	15189030060	포트마크(A)		1			
902-2	50	12149020110	라벨, 비상탈출		1			
902-2	51	12519100130	라벨, 그리스		1			
902-2	52	12519100140	라벨, 잭포인트		1			
902-2	53	12137025120	라벨, 본넷 오픈		1			
902-2	54	15829040220	제조사 식별명판(EU)		1			
902-2	54	T0019110060	형식명판, 수출/EU		1			
902-2	55	12519040230	드로바명판		1			
NOTE								



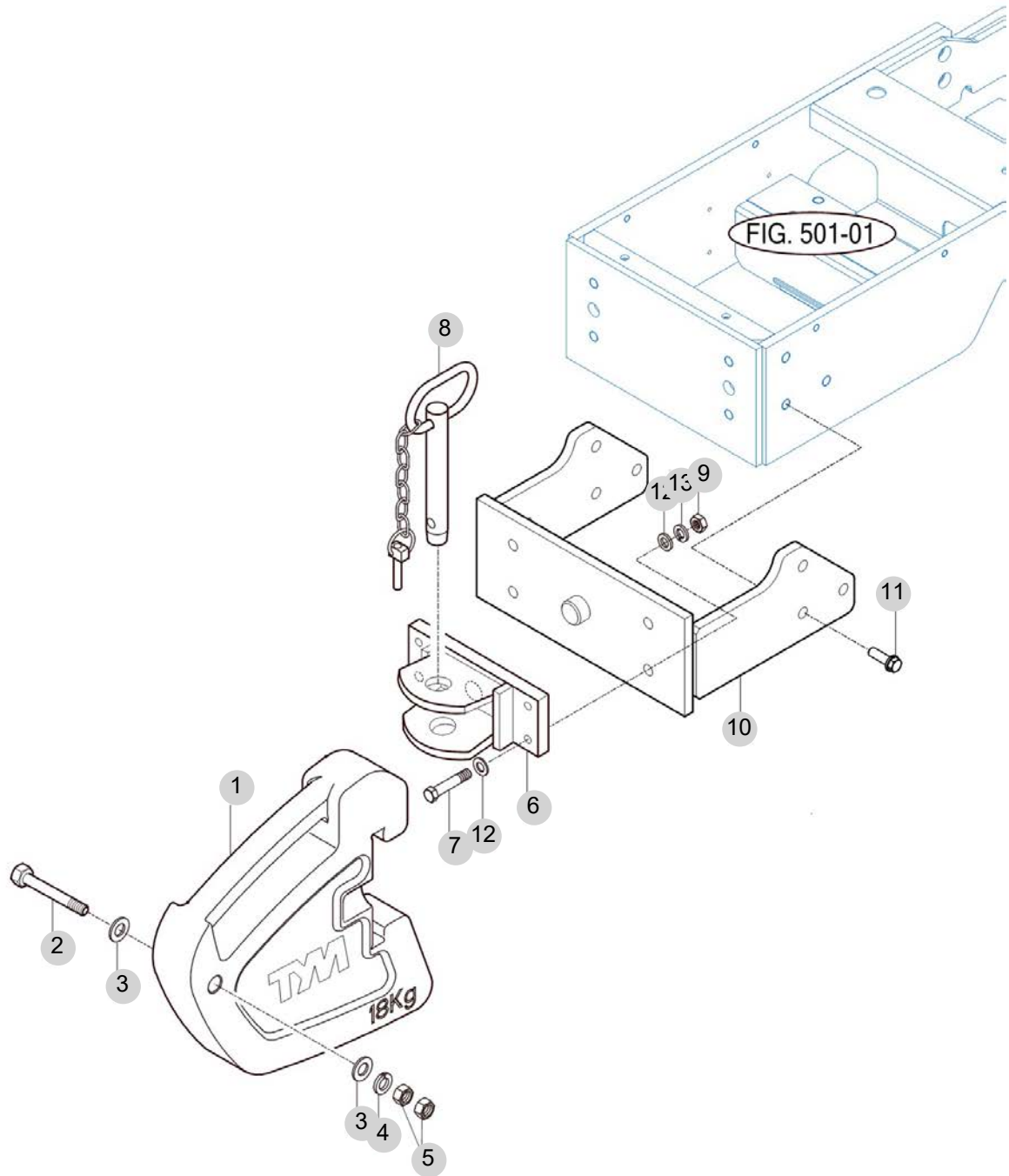
FIG 903

T395SHEU

WEIGHT

년/월  
Year/Month

2022-12



T393SH-E-903

NOTE

