

T395NHEU

Parts Catalog

목 차

1. 엔진 PART NO. EG

| | |
|--|----|
| FIG 100 ENGINE | 7 |
| FIG 101 CYLINDER BLOCK | 9 |
| FIG 102 GEAR HOUSING | 11 |
| FIG 103 FLYWHEEL HOUSING & OIL SUMP | 13 |
| FIG 104 CYLINDER HEAD & BONNET | 15 |
| FIG 105 SUCTION MANIFOLD | 18 |
| FIG 106 EXHAUST MANIFOLD | 20 |
| FIG 107 DIESEL PARTICULATE FILTER(DPF) | 22 |
| FIG 108 CAMSHAFT & DRIVING GEAR | 24 |
| FIG 109 CRANKSHAFT & PISTON | 26 |
| FIG 110 LUB OIL SYSTEM | 28 |
| FIG 111 COOLING WATER SYSTEM | 30 |
| FIG 112 FUEL SUPPLY PUMP | 32 |
| FIG 113 FUEL INJECTION VALVE | 34 |
| FIG 114 FUEL PIPE | 36 |
| FIG 115 STARTER MOTOR | 38 |
| FIG 116 ALTERNATOR | 40 |
| FIG 117 ELECTRONIC CONTROL UNIT(ECU) | 42 |
| FIG 118 ELECTRIC PARTS | 44 |

2. 엔진보기품 PART NO. T2

| | |
|--------------------------|----|
| FIG 201 AIR CLEANER | 47 |
| FIG 202 RADIATOR | 49 |
| FIG 203 MUFFLER | 51 |
| FIG 204 FUEL TANK & HOSE | 53 |
| FIG 205 OIL COOLER | 55 |

3. 클러치/브레이크/스티어링 PART NO. T3

| | |
|---------------------------|----|
| FIG 301 FLYWHEEL & CLUTCH | 58 |
|---------------------------|----|

| | |
|-------------------------------------|----|
| FIG 302 BRAKE PEDAL | 60 |
| FIG 303 BRAKE | 62 |
| FIG 304 FRONT WHEEL MOUNTING | 64 |
| FIG 305 REAR WHEEL MOUNTING | 66 |
| FIG 306 STEERING WHEEL & DASH COVER | 68 |
| FIG 307 STEERING VALVE & TILT | 70 |
| FIG 308 STEERING CYLINDER | 72 |

4. 트랜스미션 PART NO. T4

| | |
|---|-----|
| FIG 401 TRANSMISSION FRONT CASE | 75 |
| FIG 402 HST | 77 |
| FIG 403 MID CASE | 79 |
| FIG 404 4WD DRIVE GEAR | 81 |
| FIG 405 INPUT GEAR | 83 |
| FIG 406 SUB CHANGE GEARS | 85 |
| FIG 407 PINION GEARS | 87 |
| FIG 408 PTO DRIVE SHAFT | 89 |
| FIG 409 PTO CHANGE GEARS | 91 |
| FIG 410 DIFF LOCK | 94 |
| FIG 411 TRANSMISSION REAR CASE | 96 |
| FIG 412 REAR AXLE HOUSINGS (1) | 98 |
| FIG 413 REAR AXLE HOUSINGS (2) | 100 |
| FIG 414 MID P.T.O GEARS | 102 |
| FIG 415 SUB CHANGE LEVER | 104 |
| FIG 416 FORWARD & REVERSE CONTROL LINKAGE | 106 |
| FIG 417 CRUISE CONTROL | 108 |
| FIG 418 4WD CHANGE LEVER | 110 |

5. 프론트 액슬 PART NO. T5

| | |
|----------------------------------|-----|
| FIG 501 FRONT AXLE BRACKET | 113 |
| FIG 502 FRONT DIFFERENTIAL GEARS | 115 |
| FIG 503 FRONT AXLE HOUSING | 117 |
| FIG 504 FRONT GEAR CASE (1) | 119 |
| FIG 505 FRONT GEAR CASE (2) | 121 |

6. 유압/3점링크 PART NO. T6

| | |
|-------------------|-----|
| FIG 601 GEAR PUMP | 124 |
|-------------------|-----|

| | |
|-----------------------------|-----|
| FIG 602 CYLINDER CASE | 126 |
| FIG 603 LIFT ARM | 128 |
| FIG 604 CYLINDER | 130 |
| FIG 605 POSITION LINK (1) | 132 |
| FIG 606 POSITION LINK (2) | 134 |
| FIG 607 CONTROL VALVE | 136 |
| FIG 608 POSITION LEVER | 138 |
| FIG 609 HYDRAULIC PIPE (1) | 140 |
| FIG 610 HYDRAULIC PIPE (2) | 142 |
| FIG 611 EXTERIOR HYD. VALVE | 144 |
| FIG 612 3-POINT LINK | 146 |
| FIG 613 HITCH & COVER | 148 |

7. 시트메탈/캐빈 PART NO. T7

| | |
|----------------------------|-----|
| FIG 701 HOOD | 151 |
| FIG 702 BONNET | 153 |
| FIG 704 FENDER, REAR FRAME | 156 |
| FIG 705 ROPS | 159 |
| FIG 706 DASH PANEL | 161 |
| FIG 707 FLOOR | 163 |
| FIG 708 SEAT | 165 |
| FIG 709 FLOOR MOUNTING | 167 |

8. 전장 PART NO. T8

| | |
|----------------------------|-----|
| FIG 801 BATTERY & MOUNTING | 170 |
| FIG 802 LIGHTS | 172 |
| FIG 803 INSTRUMENT PANEL | 174 |
| FIG 804 ELECTRIC SYSTEM | 176 |
| FIG 805 HARNESS (1) | 178 |
| FIG 806 HARNESS (2) | 180 |

9. 라벨/옵션 PART NO. T9

| | |
|--------------------------|-----|
| FIG 901 WEIGHT | 183 |
| FIG 902 TOOL & ACCESSORY | 185 |
| FIG 903-1 LABEL | 187 |

1. 엔진 PART NO. EG

| | |
|--|----|
| FIG 100 ENGINE | 7 |
| FIG 101 CYLINDER BLOCK | 9 |
| FIG 102 GEAR HOUSING | 11 |
| FIG 103 FLYWHEEL HOUSING & OIL SUMP | 13 |
| FIG 104 CYLINDER HEAD & BONNET | 15 |
| FIG 105 SUCTION MANIFOLD | 18 |
| FIG 106 EXHAUST MANIFOLD | 20 |
| FIG 107 DIESEL PARTICULATE FILTER(DPF) | 22 |
| FIG 108 CAMSHAFT & DRIVING GEAR | 24 |
| FIG 109 CRANKSHAFT & PISTON | 26 |
| FIG 110 LUB OIL SYSTEM | 28 |
| FIG 111 COOLING WATER SYSTEM | 30 |
| FIG 112 FUEL SUPPLY PUMP | 32 |
| FIG 113 FUEL INJECTION VALVE | 34 |
| FIG 114 FUEL PIPE | 36 |
| FIG 115 STARTER MOTOR | 38 |
| FIG 116 ALTERNATOR | 40 |
| FIG 117 ELECTRONIC CONTROL UNIT(ECU) | 42 |
| FIG 118 ELECTRIC PARTS | 44 |

| | | |
|---------------------|--------|------------------------------|
| FIG 100 T395NHEU | ENGINE | 년/월 Year/Month 2022-12 |
|---------------------|--------|------------------------------|

| | |
|--|--|
| | |
|--|--|

| | |
|------|--|
| NOTE | |
|------|--|

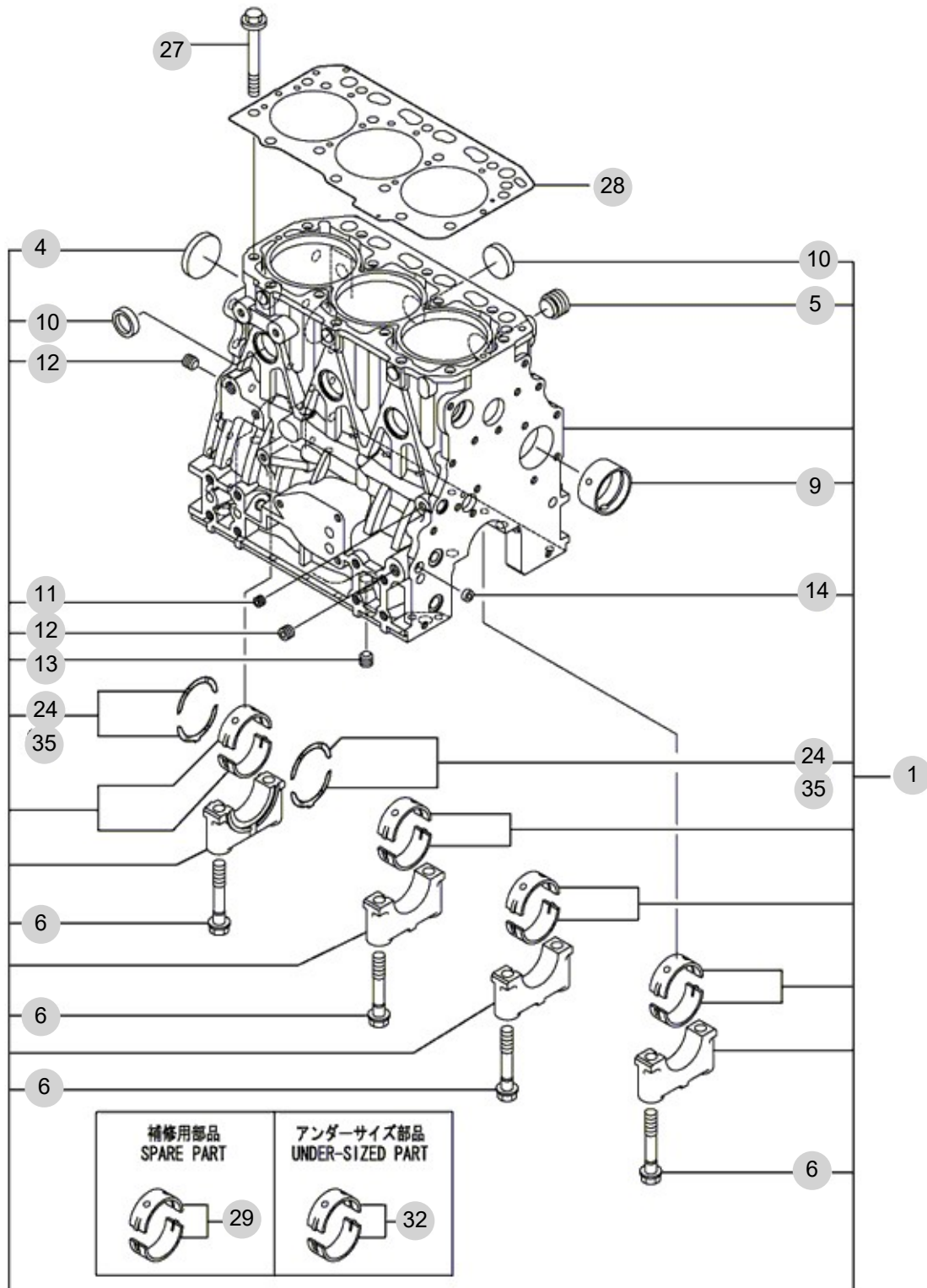
FIG 101

CYLINDER BLOCK

년/월
Year/Month

T395NHEU

2022-12



NOTE

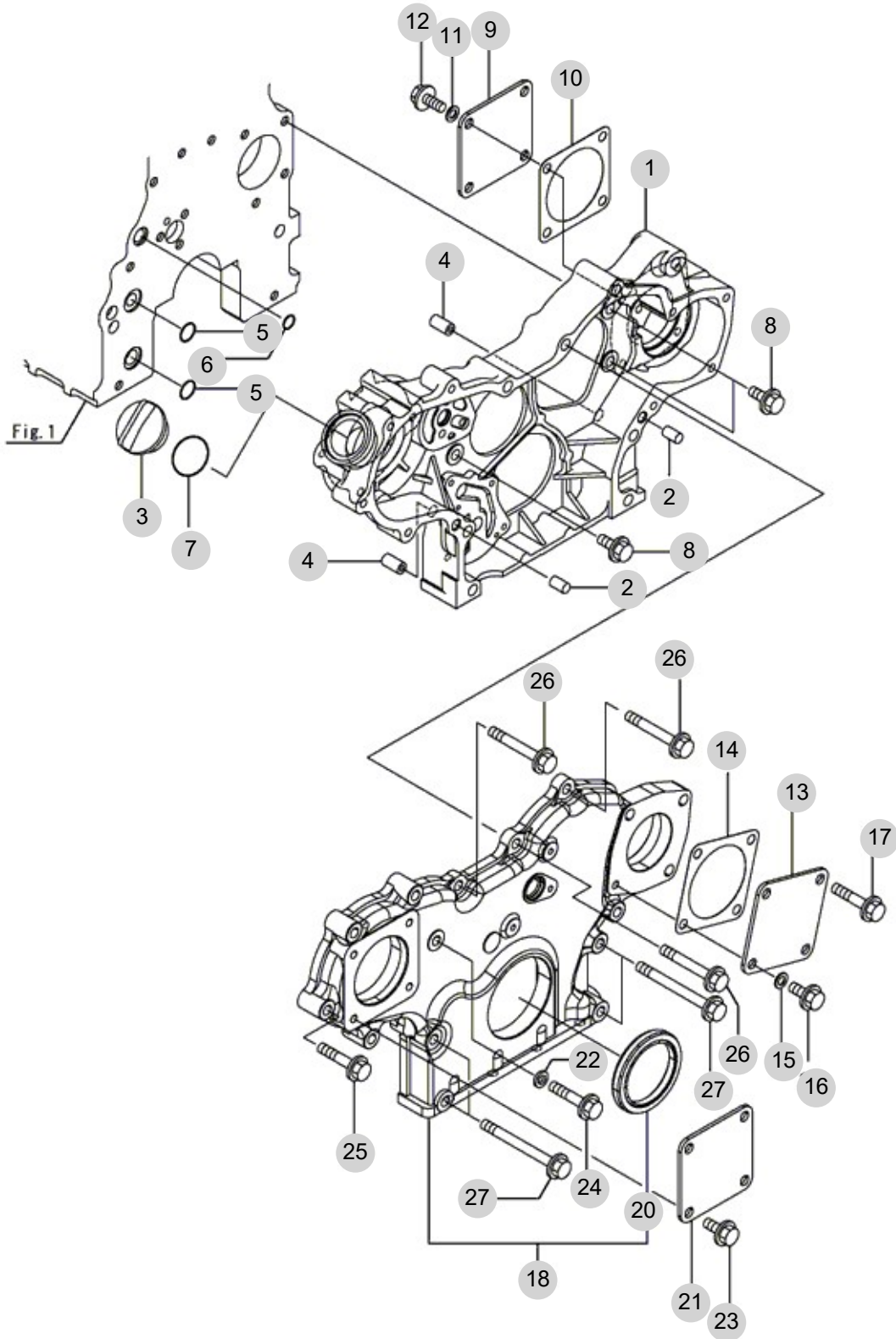
FIG 102

GEAR HOUSING

년/월
Year/Month

2022-12

T395NHEU



NOTE

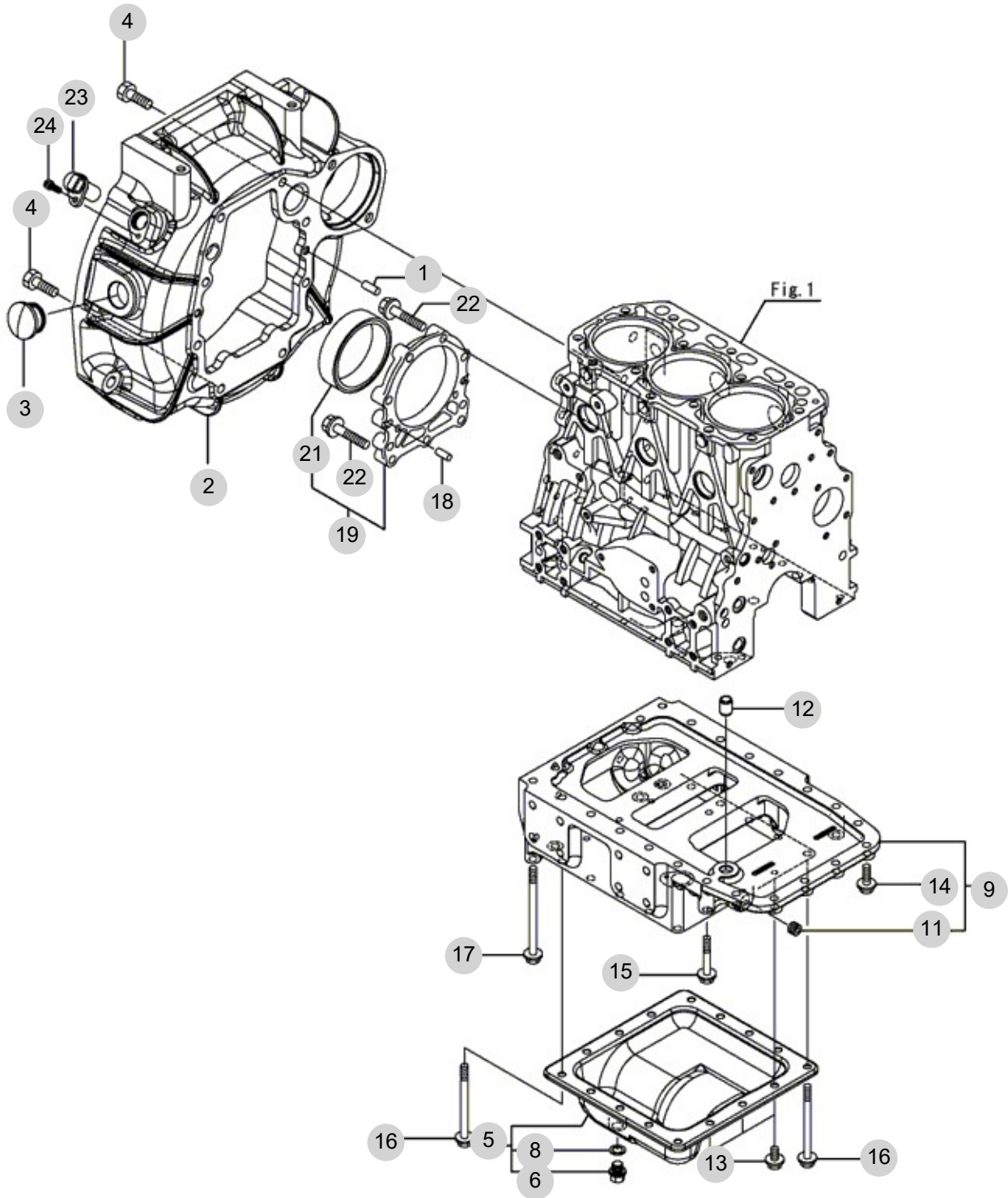
FIG 103

T395NHEU

FLYWHEEL HOUSING & OIL SUMP

년/월
Year/Month

2022-12



NOTE

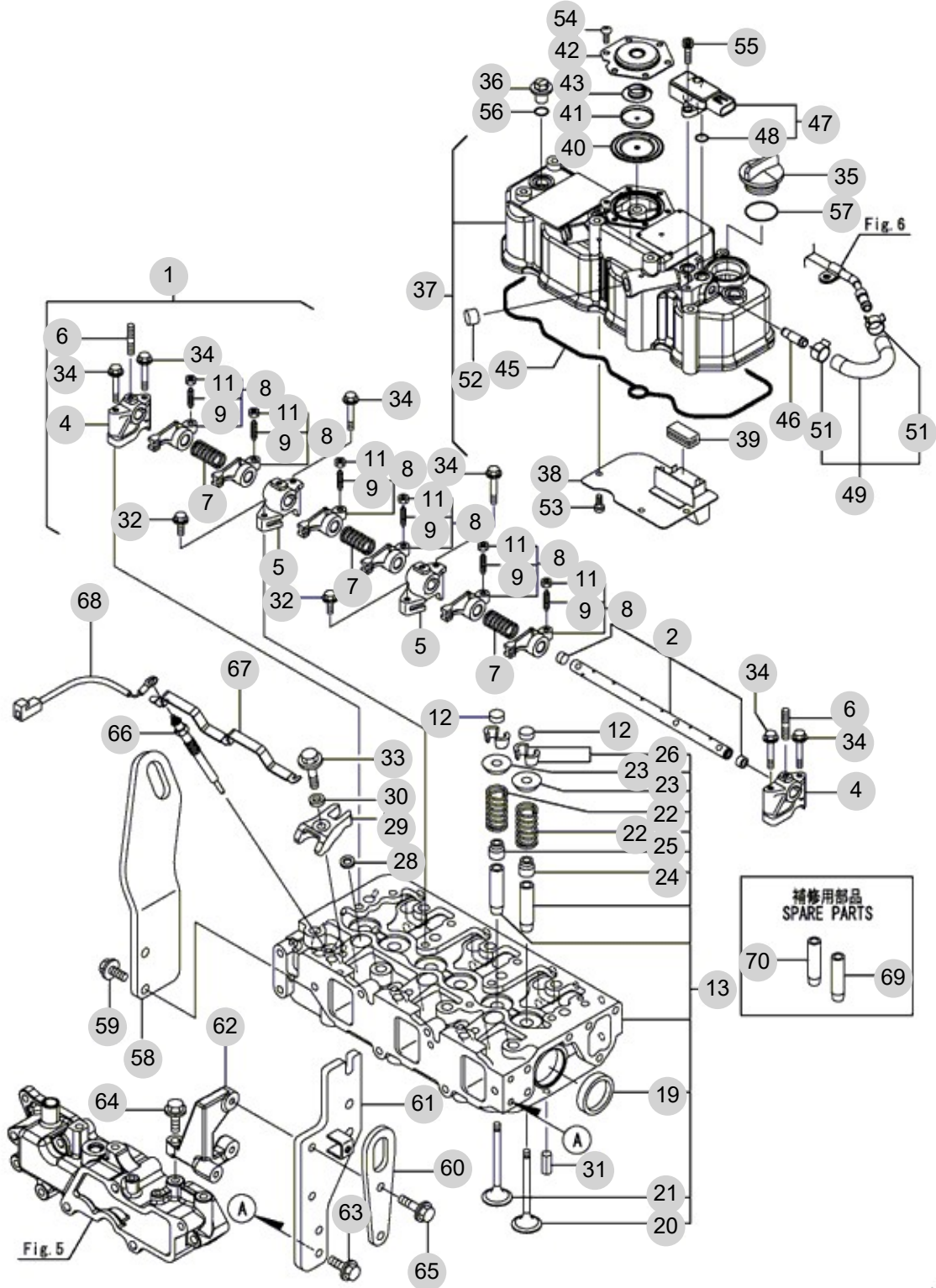
FIG 104

CYLINDER HEAD & BONNET

년/월
Year/Month

2022-12

T395NHEU



NOTE

| FIG 104 | | CYLINDER HEAD & BONNET | | | | | 년/월 Year/Month | | |
|----------|----|------------------------|---------------------|-------------|------|-----|-------------------|----------------|---------|
| | | | | | | | 2022-12 | | |
| T395NHEU | | KEY NO | PART NO | DESCRIPTION | SPEC | QTY | REPAIR | EFFECTIVE DATE | REMARKS |
| 104 | 1 | 129004-11241 | SHAFT ASSY, ROCKER | | | 1 | | | |
| 104 | 2 | 129004-11251 | SHAFT, ROCKER ARM | | | 1 | | | |
| 104 | 4 | 119802-11260 | SUPPORT, ROCKER ARM | | | 2 | | | |
| 104 | 5 | 119802-11270 | SUPPORT, ROCKER ARM | | | 2 | | | |
| 104 | 6 | 119802-11280 | BOLT, STUD | | | 3 | | | |
| 104 | 7 | 129150-11280 | SPRING, ROCKER | | | 3 | | | |
| 104 | 8 | 129004-11650 | ARM ASSY, ROCKER | | | 6 | | | |
| 104 | 9 | 129150-11230 | SCREW, VALVE ADJUST | | | 6 | | | |
| 104 | 11 | 129150-11750 | NUT, M8 | | | 6 | | | |
| 104 | 12 | 129150-11370 | CAP, VALVE | | | 6 | | | |
| 104 | 13 | 129A00-11710 | HEAD ASSY, CYLINDER | | | 1 | | | |
| 104 | 19 | 27241-400000 | PLUG, 40 | | | 2 | | | |
| 104 | 20 | 129005-11100 | VALVE, SUCTION | | | 3 | | | |
| 104 | 21 | 129100-11112 | VALVE, EXHAUST | | | 3 | | | |
| 104 | 22 | 129795-11120 | SPRING, VALVE | | | 6 | | | |
| 104 | 23 | 129795-11180 | RETAINER, SPRING | | | 6 | | | |
| 104 | 24 | 124460-11340 | SEAL, VALVE STEM | | | 3 | | | |
| 104 | 25 | 129A00-11340 | SEAL, VALVE STEM | | | 3 | | | |
| 104 | 26 | 27310-080001 | COTTER, 8 | | | 6 | | | |
| 104 | 28 | 129978-11871 | GASKET,INJECTOR | | | 3 | | | |
| 104 | 29 | 129A00-11900 | RETAINER, INJECTOR | | | 3 | | | |
| 104 | 30 | 120270-54410 | WASHER, INJECTOR | | | 3 | | | |
| 104 | 31 | 22351-060012 | 스프링핀 | | | 2 | | | |
| 104 | 32 | 26106-080252 | 육각플랜지볼트 | | | 2 | | | |
| 104 | 33 | 26106-080352 | 육각플랜지볼트 | | | 3 | | | |
| 104 | 34 | 26106-080502 | BOLT, M8X 50 PLATED | | | 6 | | | |
| 104 | 35 | 124160-01751 | CAP, FILLER | | | 1 | | | |
| 104 | 36 | 124160-11360 | KNOB | | | 3 | | | |
| 104 | 37 | 129A00-11360 | BONNET ASSY | | | 1 | | | |
| 104 | 38 | 129004-03010 | PLATE, BAFFLE | | | 1 | | | |
| 104 | 39 | 129150-03070 | BAFFLE, BREATHER | | | 1 | | | |
| 104 | 40 | 123907-03100 | DIAPHRAGM | | | 1 | | | |
| 104 | 41 | 123907-03110 | PLATE | | | 1 | | | |
| 104 | 42 | 123907-03120 | PLATE, BREATHER | | | 1 | | | |
| 104 | 43 | 123907-03140 | SPRING, DIAPHRAGM | | | 1 | | | |
| 104 | 45 | 129A00-11310 | GASKET, BONNET | | | 1 | | | |
| 104 | 46 | 129A00-11330 | JOINT | | | 1 | | | |
| 104 | 47 | 129978-12700 | SENSOR,PRESSURE | | | 1 | | | |
| 104 | 48 | 129A00-12780 | O-RING,PRES SENSOR | | | 2 | | | |
| 104 | 49 | 129A00-13360 | HOSE ASSY, PRES EXH | | | 1 | | | |
| 104 | 51 | 129A00-13380 | CLIP, HOSE 14 | | | 2 | | | |
| 104 | 52 | 119640-61400 | PLUG | | | 1 | | | |
| 104 | 53 | 22857-500100 | SCREW, 5X10 | | | 4 | | | |
| 104 | 54 | 22857-500100 | SCREW, 5X10 | | | 6 | | | |
| 104 | 55 | 26450-060162 | BOLT, M6X 16 | | | 2 | | | |
| NOTE | | | | | | | | | |

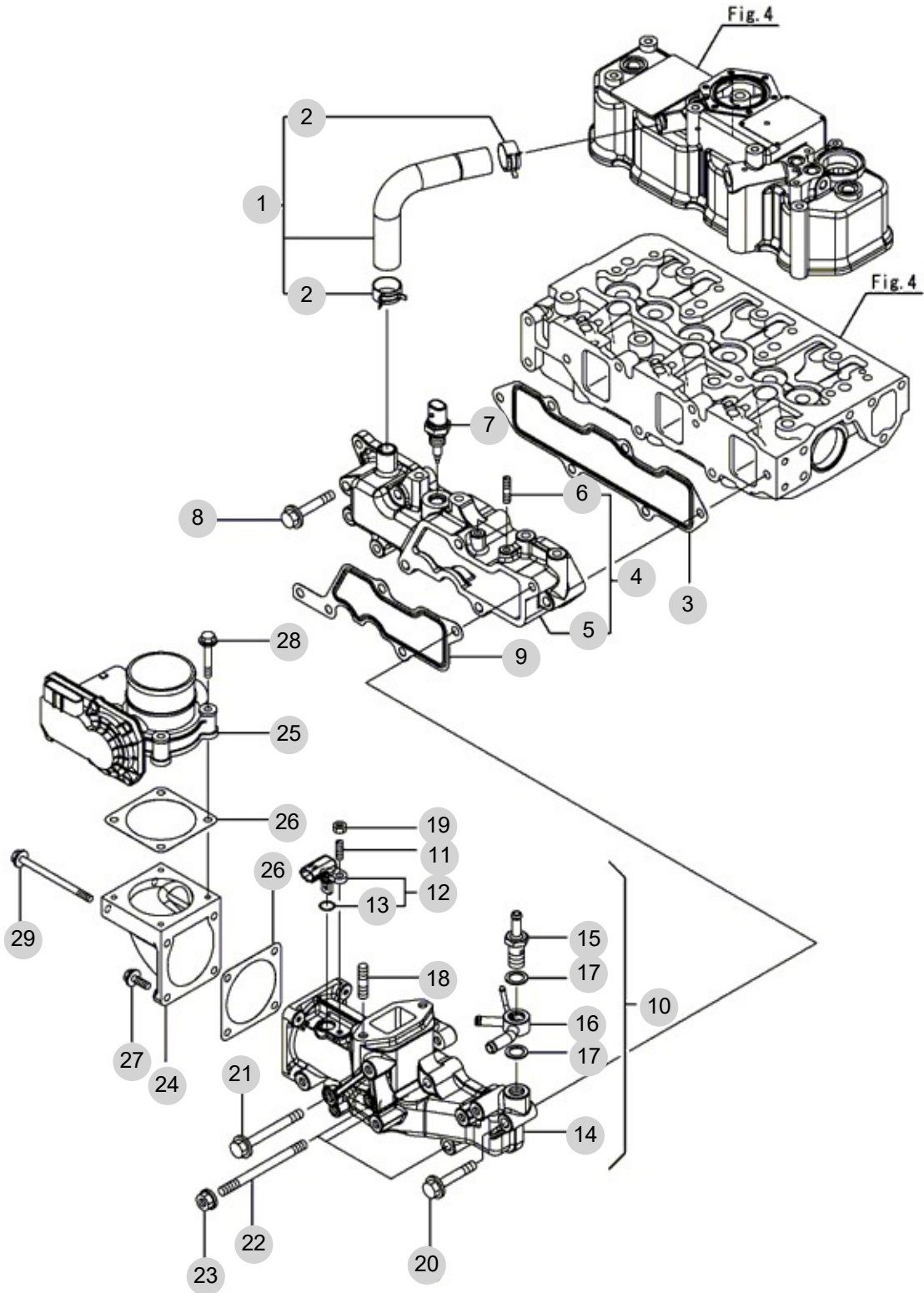
FIG 105

SUCTION MANIFOLD

년/월
Year/Month

2022-12

T395NHEU



NOTE

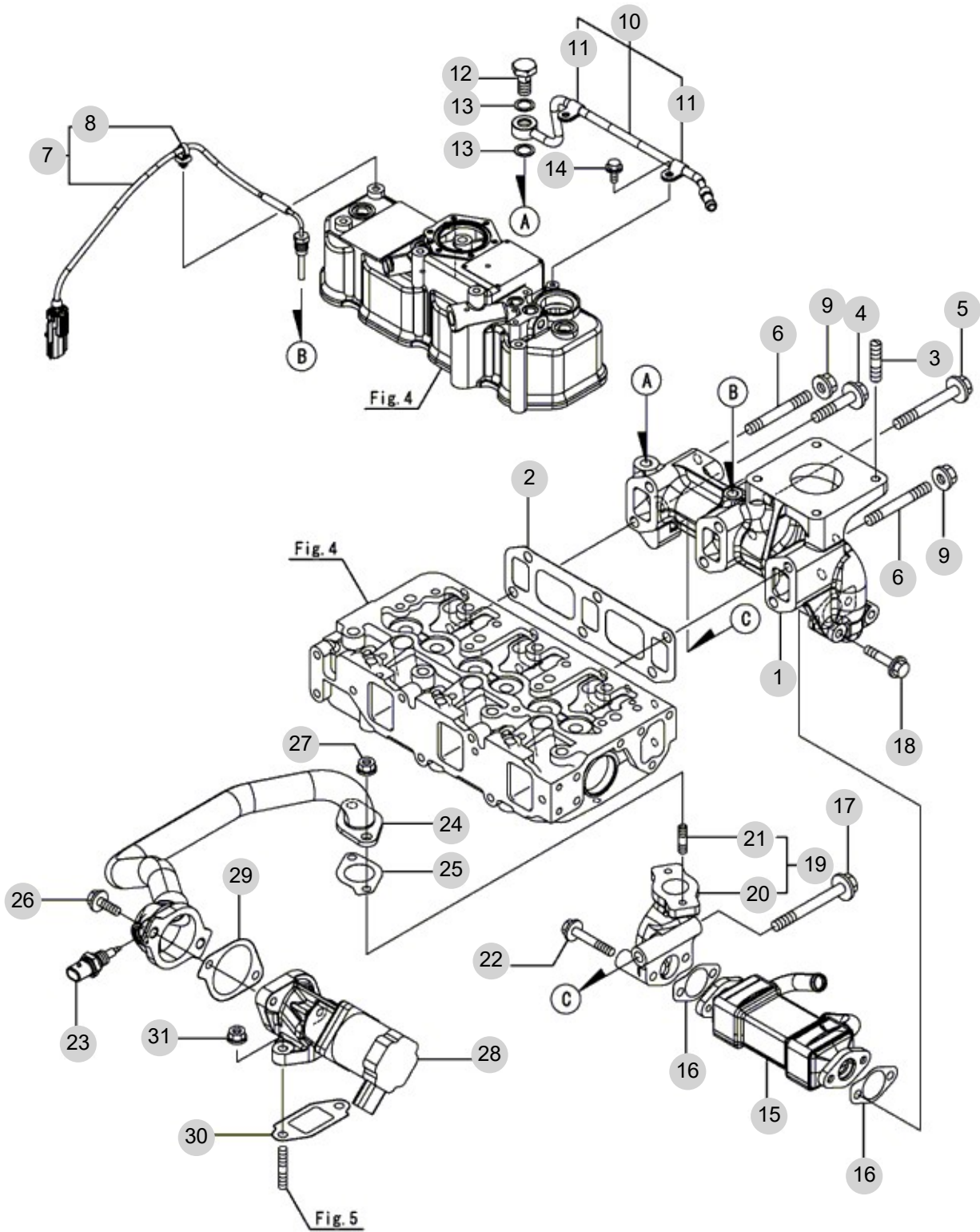
FIG 106

T395NHEU

EXHAUST MANIFOLD

년/월
Year/Month

2022-12



NOTE

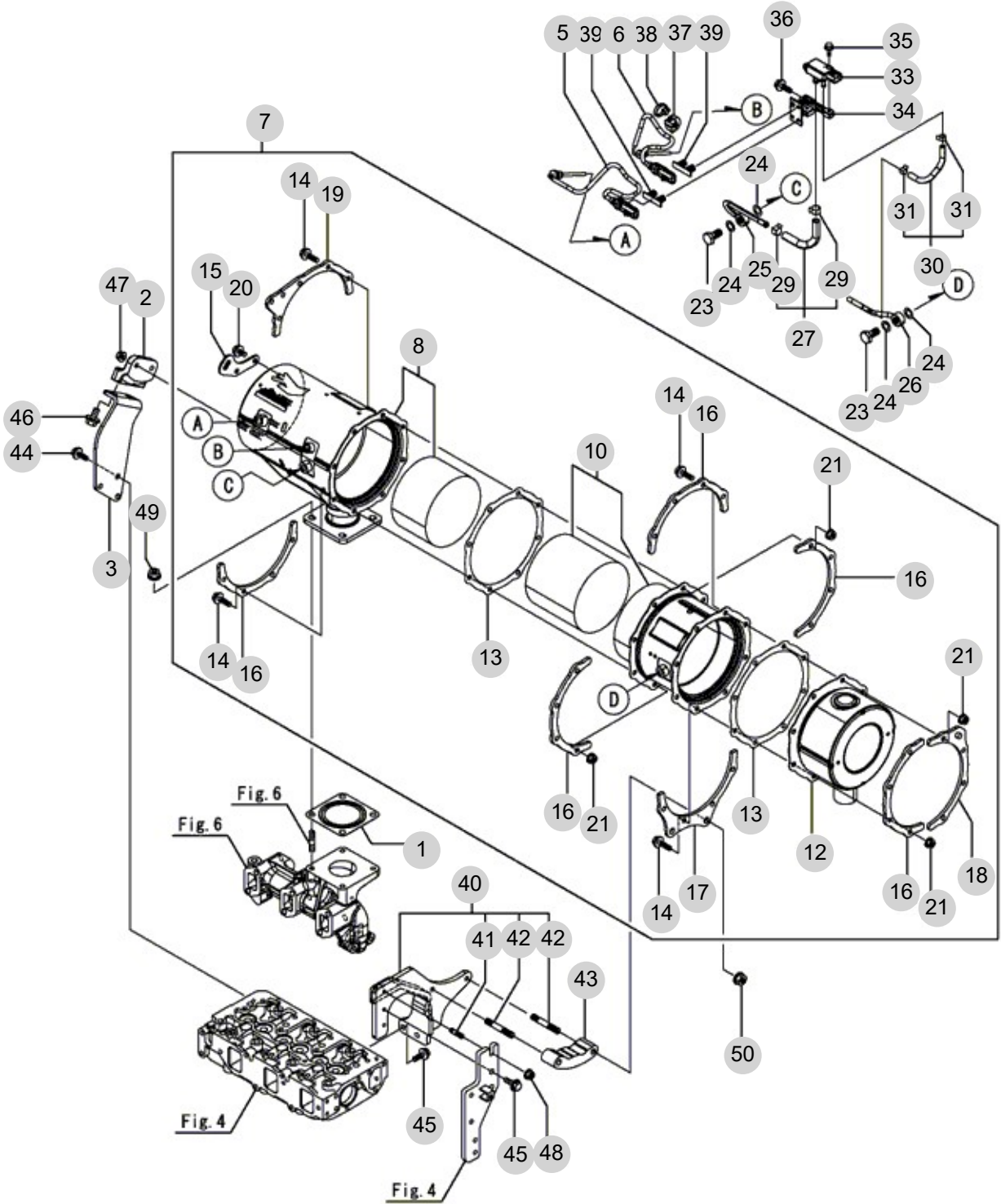
FIG 107

DIESEL PARTICULATE FILTER(DPF)

년/월
Year/Month

T395NHEU

2022-12



NOTE

| FIG 107 | | DIESEL PARTICULATE FILTER(DPF) | | | | | 년/월 Year/Month | | |
|----------|----|--------------------------------|---------------------|-------------|------|-----|-------------------|----------------|---------|
| | | | | | | | 2022-12 | | |
| T395NHEU | | KEY NO | PART NO | DESCRIPTION | SPEC | QTY | REPAIR | EFFECTIVE DATE | REMARKS |
| 107 | 1 | 128300-13230 | GASKET, SILENCER | | | 1 | | | |
| 107 | 2 | 129A00-16820 | STAY,DPF | | | 1 | | | |
| 107 | 3 | 129A00-16830 | STAY,DPF | | | 1 | | | |
| 107 | 5 | 129C00-13940 | SENSOR, EXH.TEMP | | | 1 | | | |
| 107 | 6 | 129C00-13950 | SENSOR, EXH.TEMP | | | 1 | | | |
| 107 | 7 | 129A26-16000 | DPF ASSY | | | 1 | | | |
| 107 | 8 | 129A00-16210 | CASE, DOC | | | 1 | | | |
| 107 | 10 | 129A00-16410 | CASE, SOOT FILTER | | | 1 | | | |
| 107 | 12 | 129A00-16500 | SILENCER, DPF | | | 1 | | | |
| 107 | 13 | 129A00-16600 | GASKET, DPF | | | 2 | | | |
| 107 | 14 | 129A00-16610 | BOLT, M8X28 10.9T | | | 16 | | | |
| 107 | 15 | 129C01-16690 | LIFTER, DPF | | | 1 | | | |
| 107 | 16 | 129A00-16700 | STIFFENER, DPF A | | | 5 | | | |
| 107 | 17 | 129A00-16720 | STIFFENER, DPF B | | | 1 | | | |
| 107 | 18 | 129A00-16740 | STIFFENER, DPF C | | | 1 | | | |
| 107 | 19 | 129A00-16750 | STIFFENER, DPF C | | | 1 | | | |
| 107 | 20 | 26106-080142 | BOLT, M8X 14 PLATED | | | 2 | | | |
| 107 | 21 | 26306-080002 | NUT, M8 | | | 16 | | | |
| 107 | 23 | 129A00-13350 | BOLT, PIPE JOINT | | | 2 | | | |
| 107 | 24 | 129A00-17311 | GASKET,SENSOR | | | 4 | | | |
| 107 | 25 | 129A00-17330 | PIPE ASSY, SENSOR | | | 1 | | | |
| 107 | 26 | 129A00-17360 | PIPE ASSY, SENSOR | | | 1 | | | |
| 107 | 27 | 129A00-17610 | HOSE ASSY,PRES EXH | | | 1 | | | |
| 107 | 29 | 129A00-17520 | CLIP, HOSE | | | 2 | | | |
| 107 | 30 | 129A00-17670 | HOSE ASSY,PRES EXH | | | 1 | | | |
| 107 | 31 | 129A00-17570 | CLIP, HOSE | | | 2 | | | |
| 107 | 33 | 129978-17700 | SENSOR,PRESSURE | | | 1 | | | |
| 107 | 34 | 129A00-17780 | BRACKET, SENSOR | | | 1 | | | |
| 107 | 35 | 26106-060162 | BOLT, M6X 16 PLATED | | | 2 | | | |
| 107 | 36 | 26106-080202 | BOLT, M8X 20 PLATED | 8X20 | | 2 | | | |
| 107 | 37 | 129A00-91200 | BAND CLIP | | | 1 | | | |
| 107 | 38 | 129C00-91200 | BAND | | | 1 | | | |
| 107 | 39 | 129A00-91430 | CLIP, CONNECTOR | | | 2 | | | |
| 107 | 40 | 129A26-17360 | STAY ASSY, DPF | | | 1 | | | |
| 107 | 41 | 26216-080202 | STUD, M8X 20 | | | 1 | | | |
| 107 | 42 | 26216-100552 | STUD, M10X 55 | | | 2 | | | |
| 107 | 43 | 129A23-17370 | SPACER, DPF | | | 1 | | | |
| 107 | 44 | 26106-080162 | 육각플랜지볼트 | | | 3 | | | |
| 107 | 45 | 26106-080202 | BOLT, M8X 20 PLATED | 8X20 | | 4 | | | |
| 107 | 46 | 26106-100202 | 육각플랜지볼트 | | | 2 | | | |
| 107 | 47 | 26306-080002 | NUT, M8 | | | 2 | | | |
| 107 | 48 | 26306-080002 | NUT, M8 | | | 1 | | | |
| 107 | 49 | 26306-100002 | NUT, M10 | | | 4 | | | |
| 107 | 50 | 26306-100002 | NUT, M10 | | | 2 | | | |
| NOTE | | | | | | | | | |

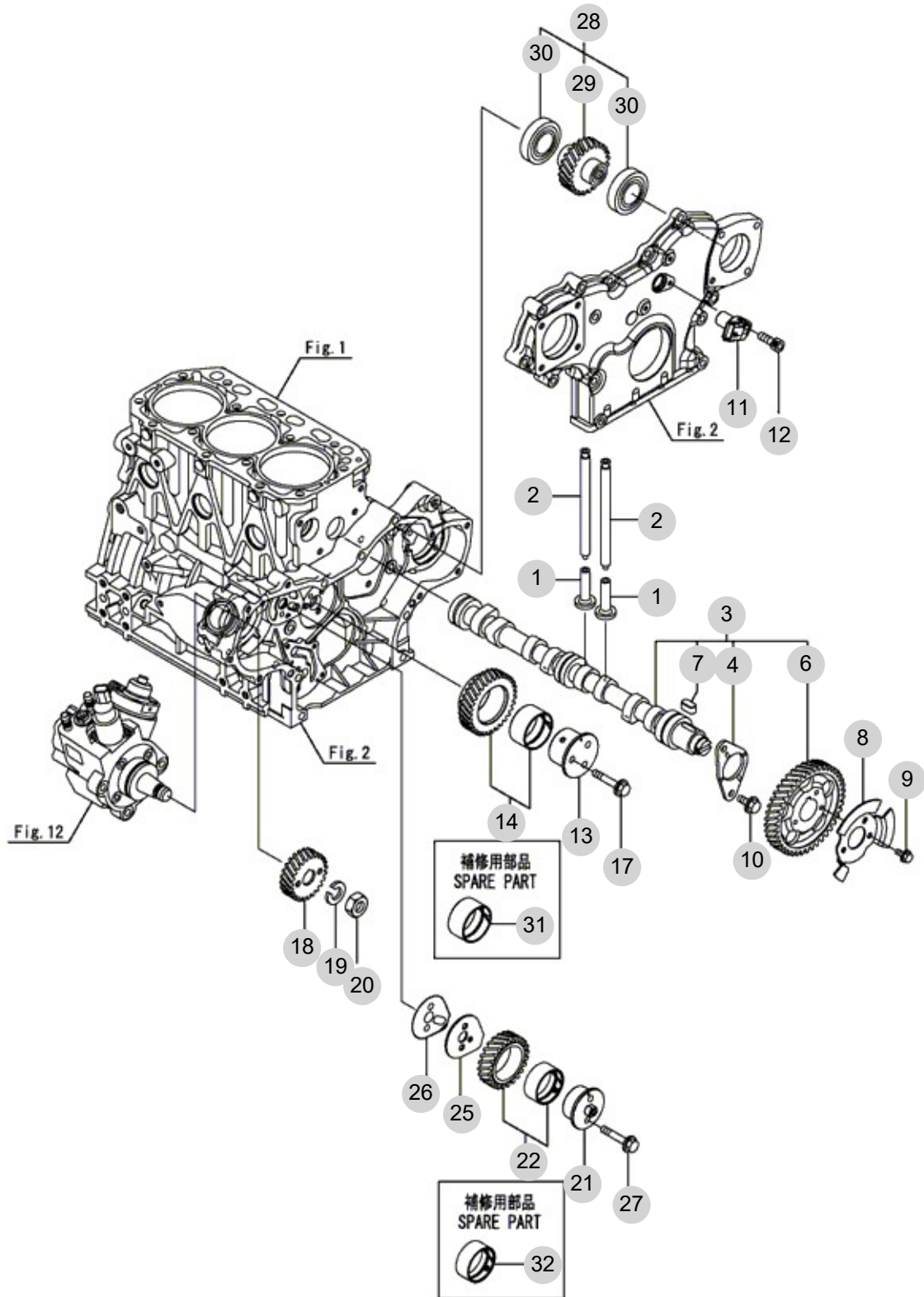
FIG 108

CAMSHAFT & DRIVING GEAR

년/월
Year/Month

2022-12

T395NHEU



NOTE

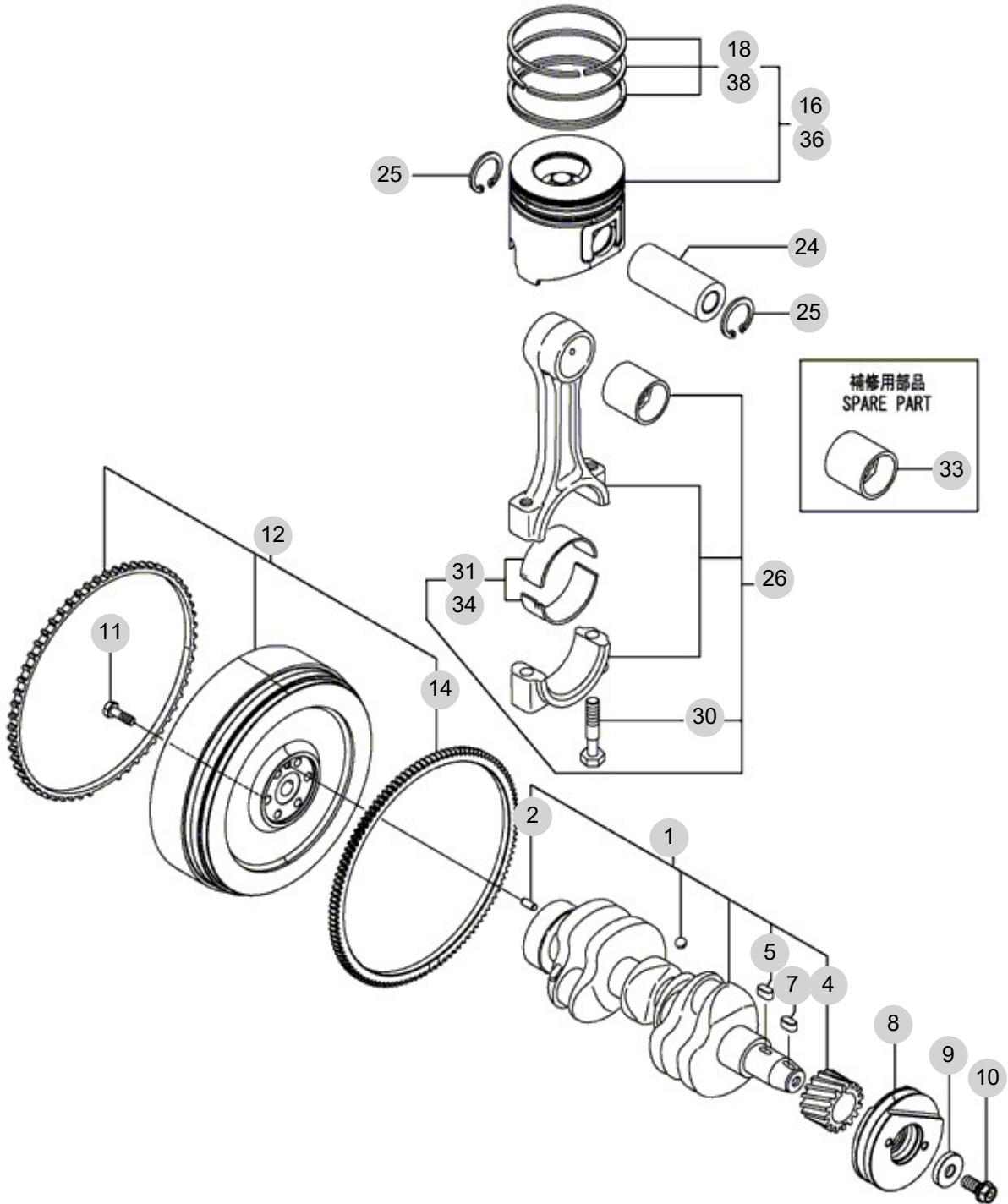
FIG 109

T395NHEU

CRANKSHAFT & PISTON

년/월
Year/Month

2022-12



NOTE

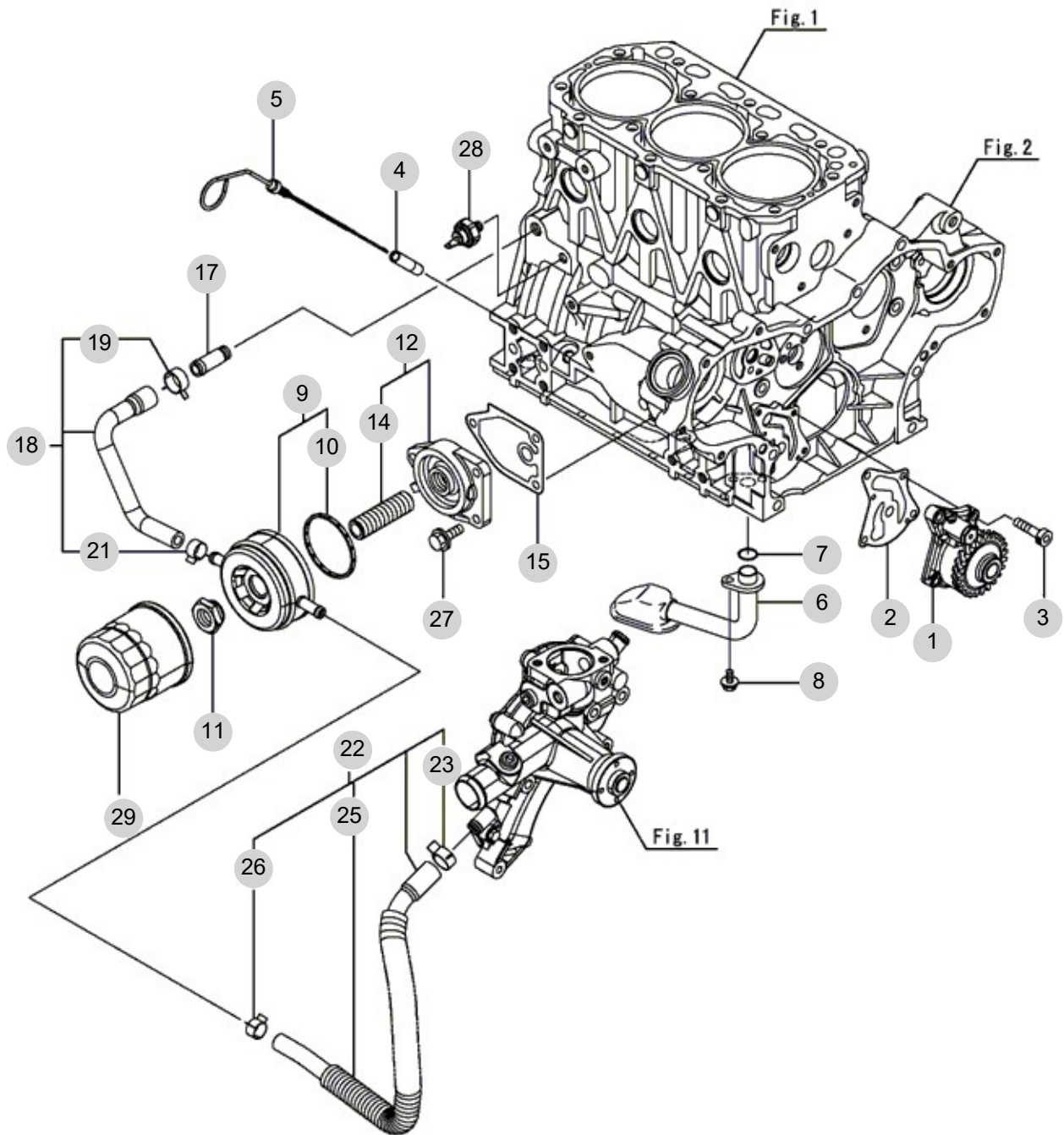
FIG 110

T395NHEU

LUB OIL SYSTEM

년/월
Year/Month

2022-12



NOTE

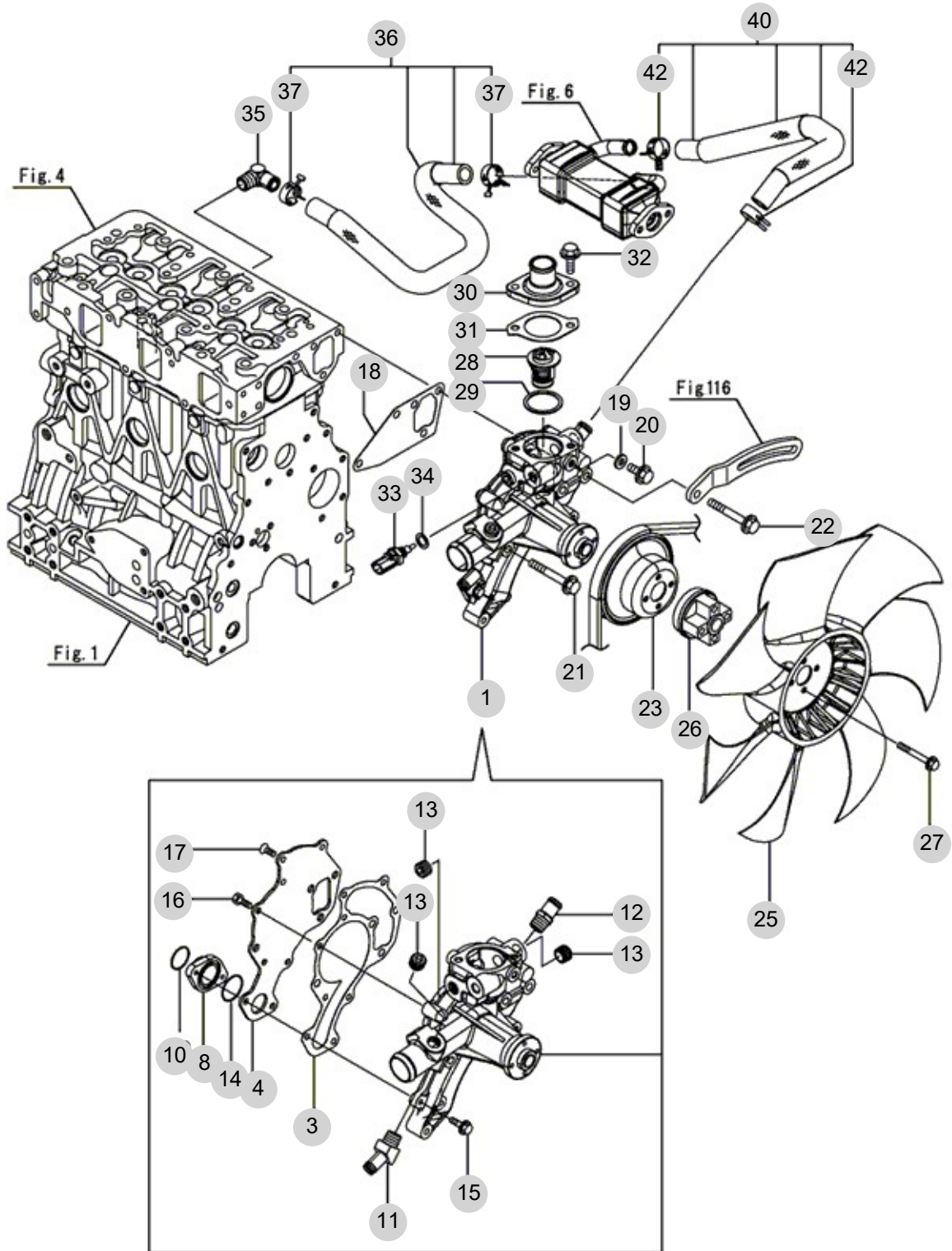
FIG 111

COOLING WATER SYSTEM

년/월
Year/Month

2022-12

T395NHEU



NOTE

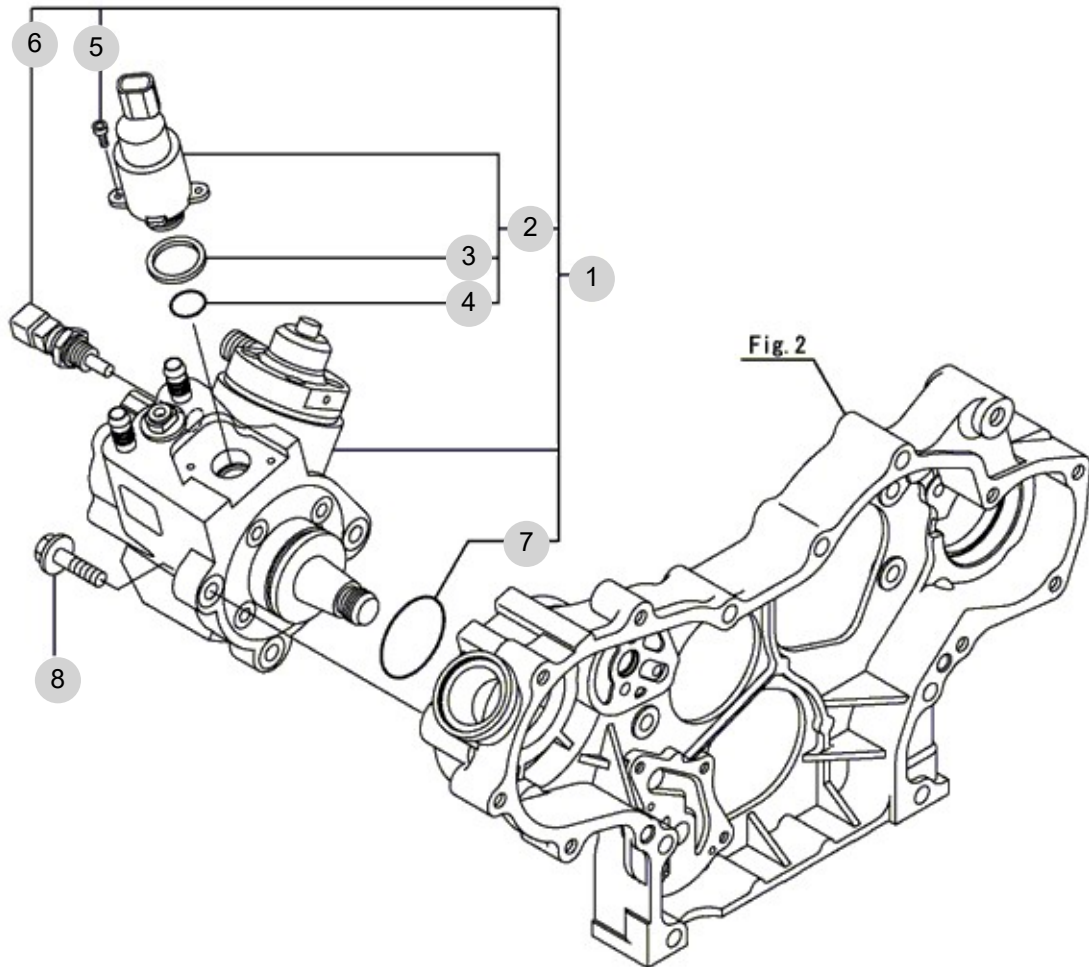
FIG 112

T395NHEU

FUEL SUPPLY PUMP

년/월
Year/Month

2022-12



NOTE

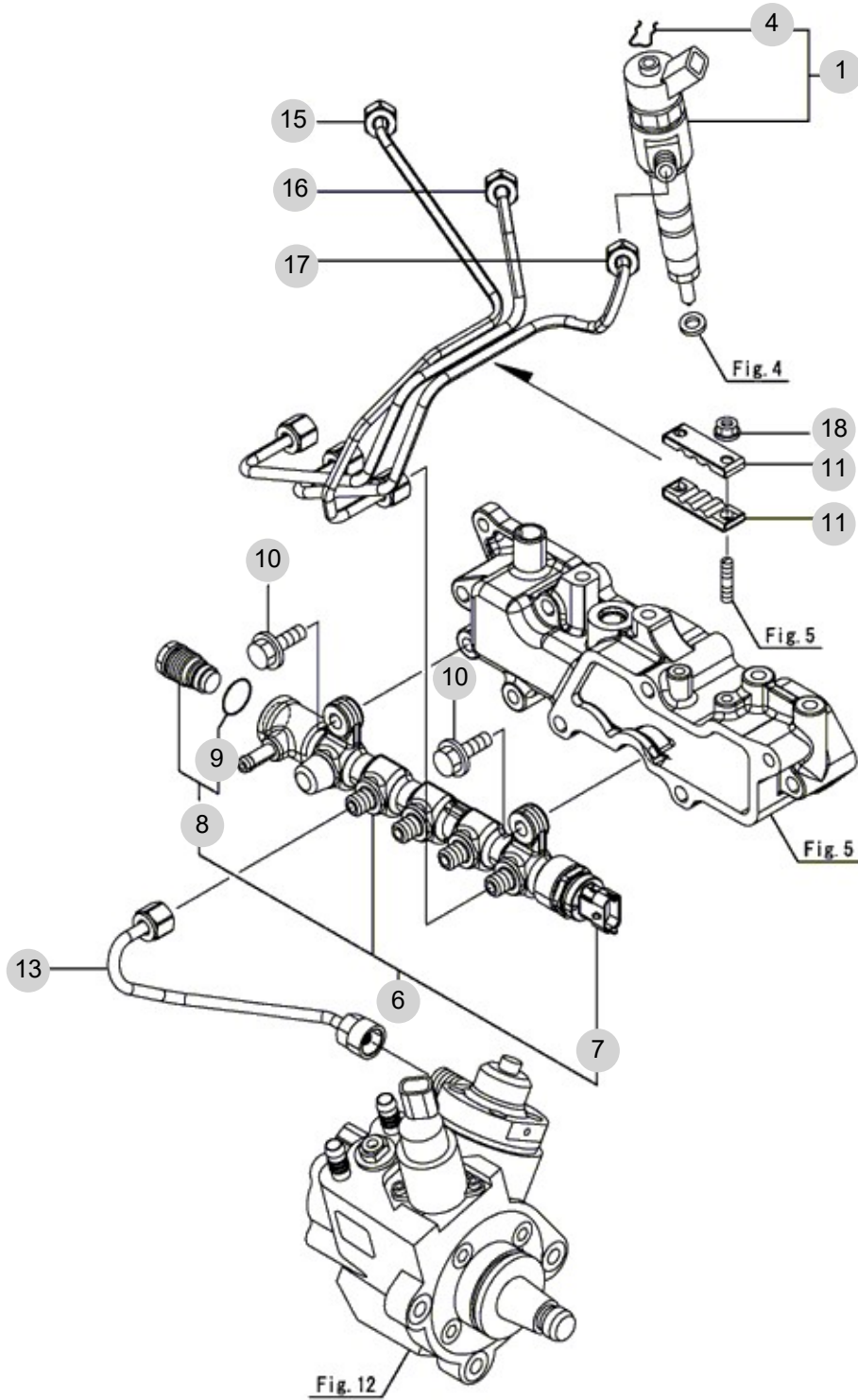
FIG 113

T395NHEU

FUEL INJECTION VALVE

년/월
Year/Month

2022-12



NOTE

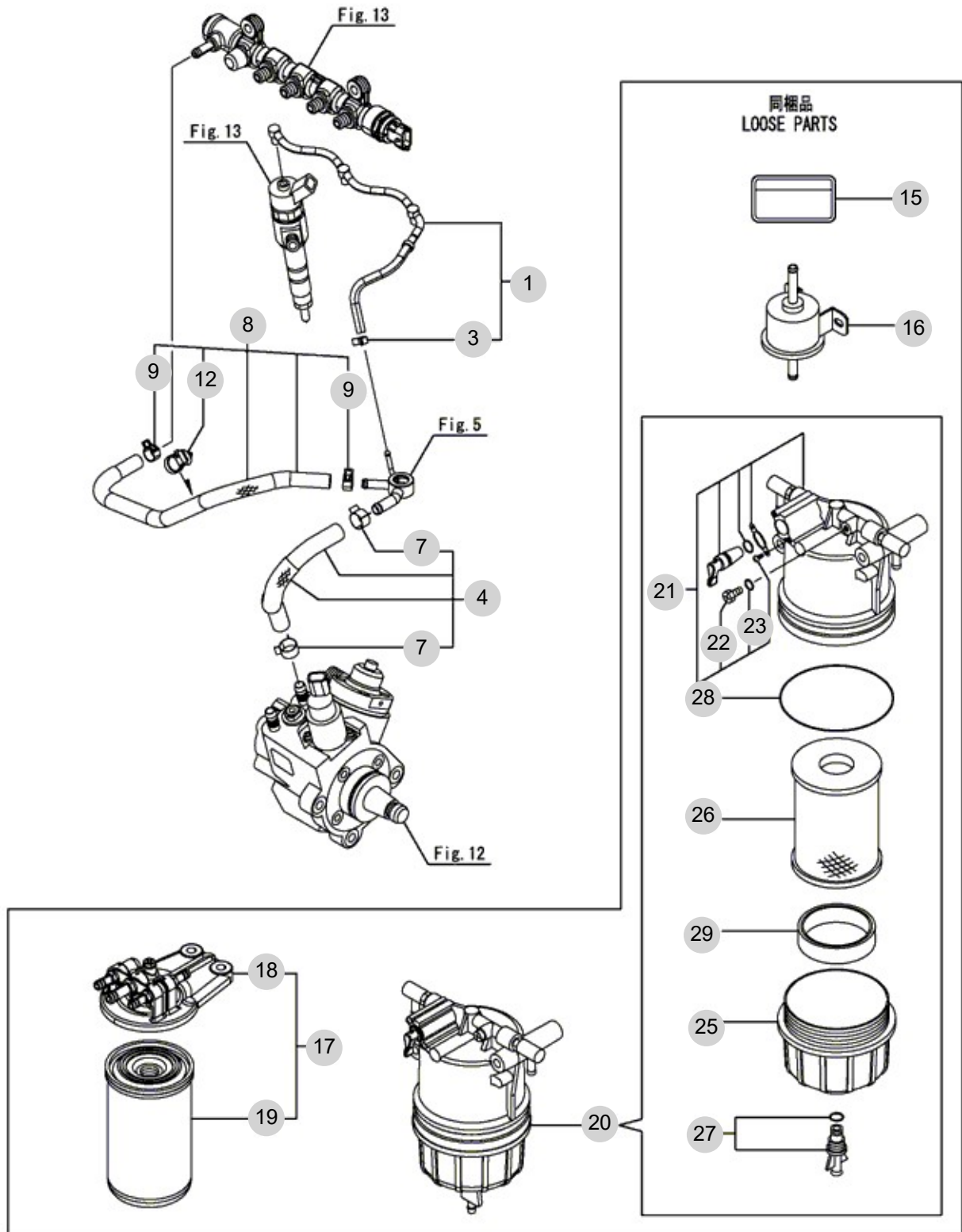
FIG 114

T395NHEU

FUEL PIPE

년/월
Year/Month

2022-12



NOTE

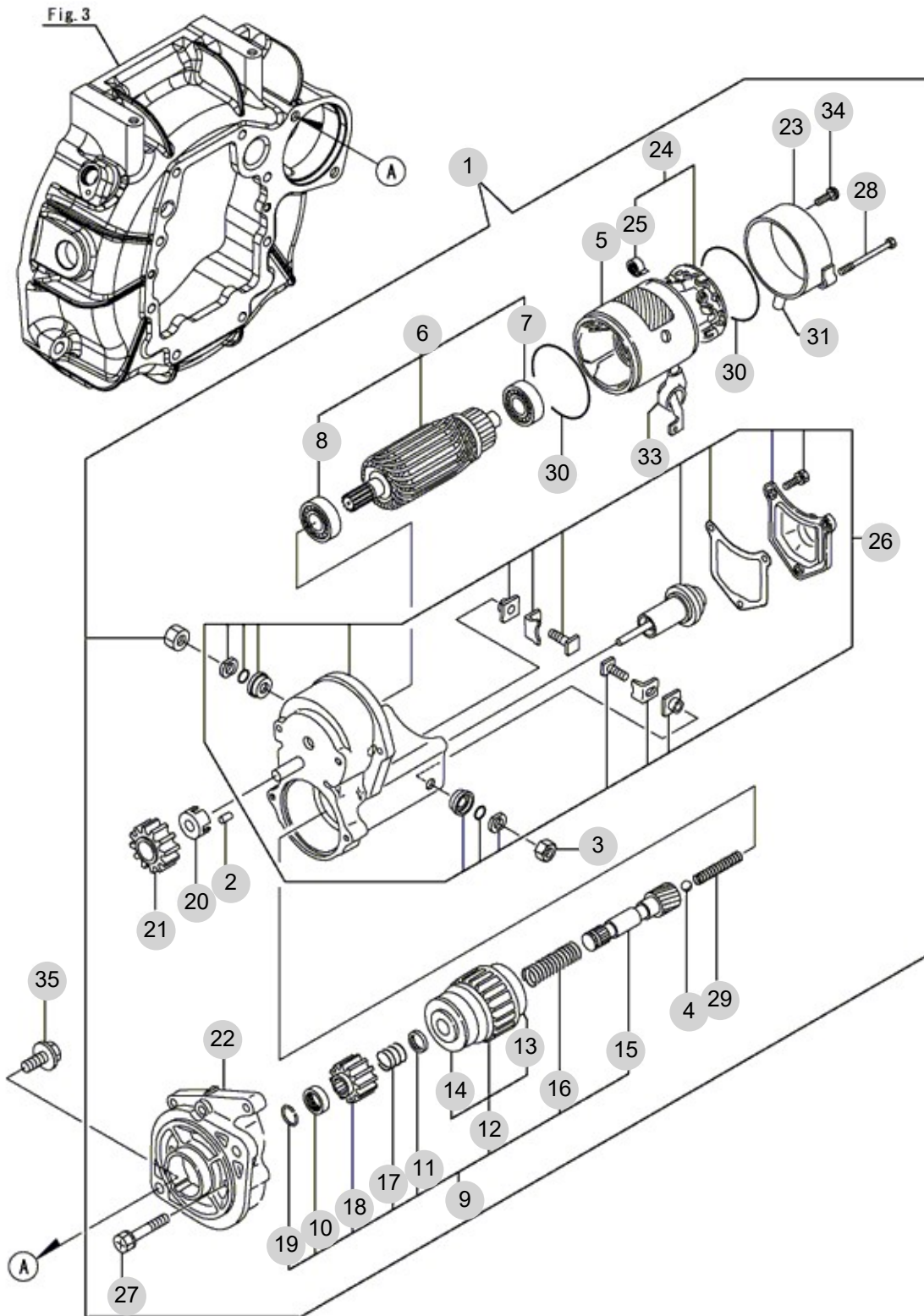
FIG 115

STARTER MOTOR

년/월
Year/Month

2022-12

T395NHEU



NOTE

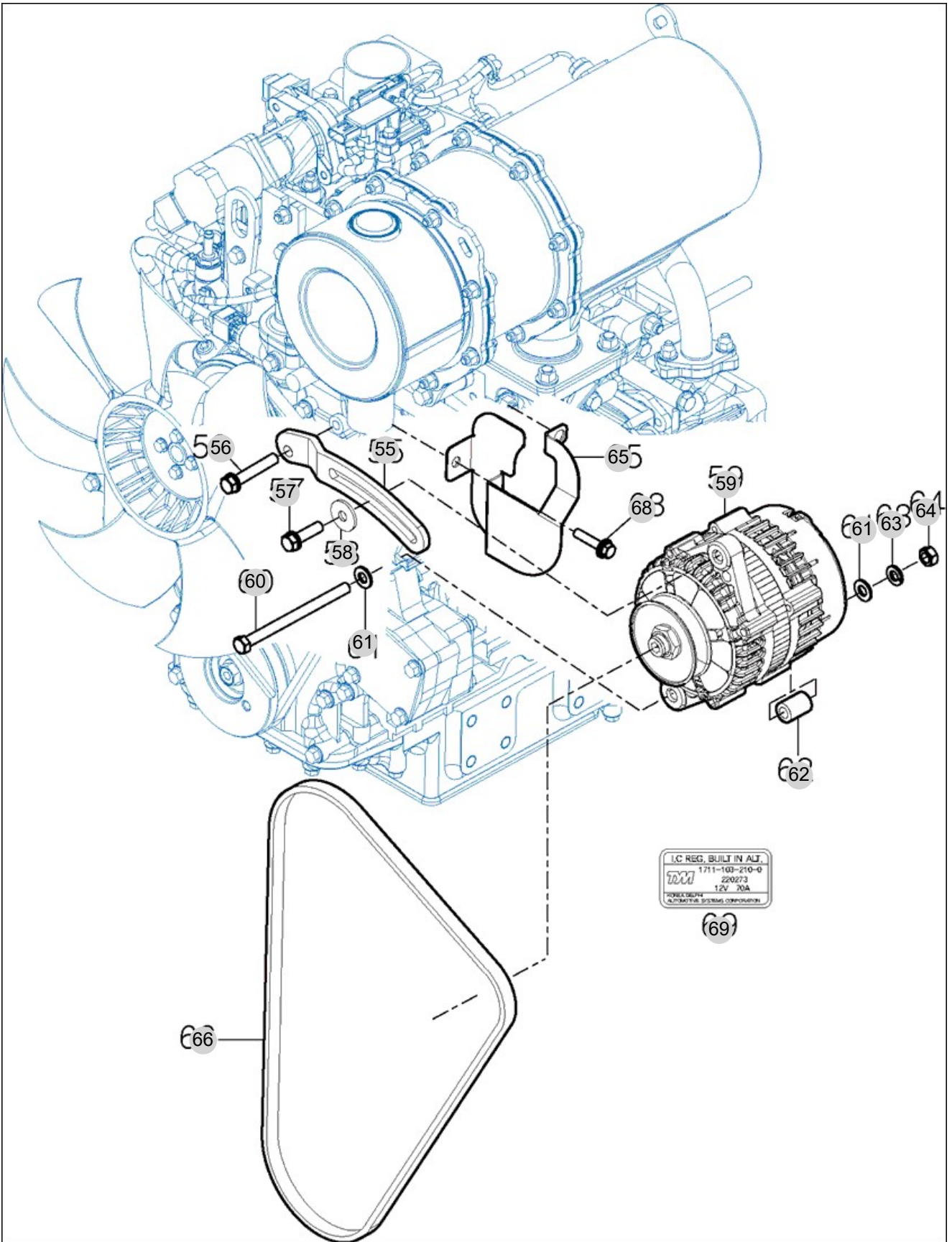
FIG 116

ALTERNATOR

년/월
Year/Month

T395NHEU

2022-12



NOTE

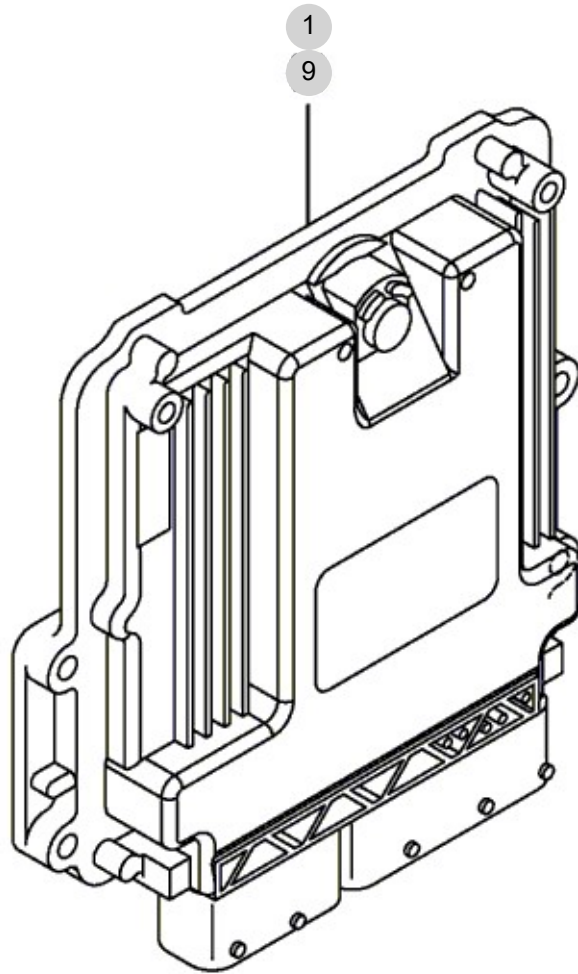
FIG 117

T395NHEU

ELECTRONIC CONTROL UNIT(ECU)

년/월
Year/Month

2022-12



NOTE

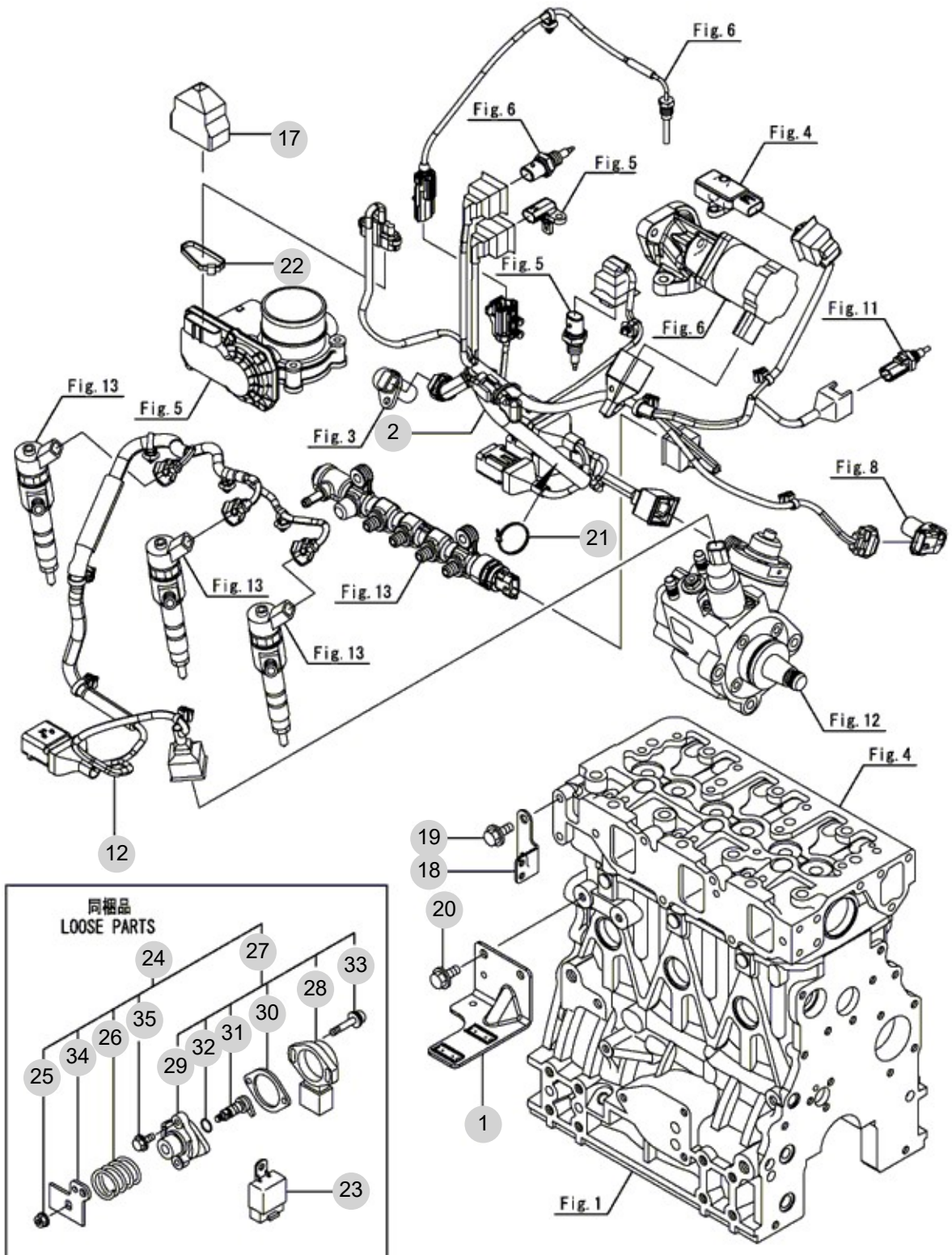
FIG 118

ELECTRIC PARTS

년/월
Year/Month

T395NHEU

2022-12



NOTE

| FIG 118 | | ELECTRIC PARTS | | | | | | 년/월 | |
|----------|---------|----------------|----------------------|------|-----|--------|----------------|------------|--|
| | | | | | | | | Year/Month | |
| T395NHEU | | | | | | | | 2022-12 | |
| KEY NO | PART NO | DESCRIPTION | | SPEC | QTY | REPAIR | EFFECTIVE DATE | REMARKS | |
| 118 | 1 | 129A00-77930 | 129A0077930-로 주문변경 | | | 1 | | | |
| 118 | 2 | 129A00-91222 | HARNESS,B ECO ENGINE | | | 1 | | | |
| 118 | 12 | 129A00-91231 | HARNESS | | | 1 | | | |
| 118 | 17 | 129A00-91451 | BOOT,CAP TYPE | | | 1 | | | |
| 118 | 18 | 129A00-91600 | BRACKET, HARNESS | | | 1 | | | |
| 118 | 19 | 26106-080122 | BOLT, M8X 12 PLATED | | | 2 | | | |
| 118 | 20 | 26106-080122 | BOLT, M8X 12 PLATED | | | 2 | | | |
| 118 | 21 | 29621-100000 | BAND, TR100 | | | 1 | | | |
| 118 | 22 | 29621-200000 | BAND | | | 1 | | | |
| 118 | 23 | 172B02-17150 | RELAY,CA C TYPE | | | 1 | | | |
| 118 | 24 | 129938-77800 | 액셀센서 ASSY | | | 1 | | | |
| 118 | 25 | 194990-22130 | NUT, M6 | | | 1 | | | |
| 118 | 26 | 119060-61990 | SPRING, RETURN | | | 1 | | | |
| 118 | 27 | 129054-77800 | SENSOR ASSY, ACCEL | | | 1 | | | |
| 118 | 28 | 185100-50070 | BODY | | | 1 | | | |
| 118 | 29 | 129054-77811 | SUPPORT, SENSOR | | | 1 | | | |
| 118 | 30 | 129054-77820 | GASKET | | | 1 | | | |
| 118 | 31 | 129054-77830 | SHAFT ASSY | | | 1 | | | |
| 118 | 32 | 24311-000070 | O-RING, 1AP7.0 | | | 1 | | | |
| 118 | 33 | 26023-040202 | SCREW, M4X20 | | | 2 | | | |
| 118 | 34 | 129938-77810 | LEVER, SENSOR | | | 1 | | | |
| 118 | 35 | 26106-060122 | BOLT, M6X 12 PLATED | | | 2 | | | |
| | | | | | | | | | |
| | | | | | | | | | |
| | | | | | | | | | |
| | | | | | | | | | |
| | | | | | | | | | |
| | | | | | | | | | |
| | | | | | | | | | |
| | | | | | | | | | |
| | | | | | | | | | |
| | | | | | | | | | |
| | | | | | | | | | |
| | | | | | | | | | |
| | | | | | | | | | |
| | | | | | | | | | |
| | | | | | | | | | |
| | | | | | | | | | |
| | | | | | | | | | |
| | | | | | | | | | |
| | | | | | | | | | |
| | | | | | | | | | |
| | | | | | | | | | |
| | | | | | | | | | |
| NOTE | | | | | | | | | |

2. 엔진보기품 PART NO. T2

| | |
|--------------------------|----|
| FIG 201 AIR CLEANER | 47 |
| FIG 202 RADIATOR | 49 |
| FIG 203 MUFFLER | 51 |
| FIG 204 FUEL TANK & HOSE | 53 |
| FIG 205 OIL COOLER | 55 |

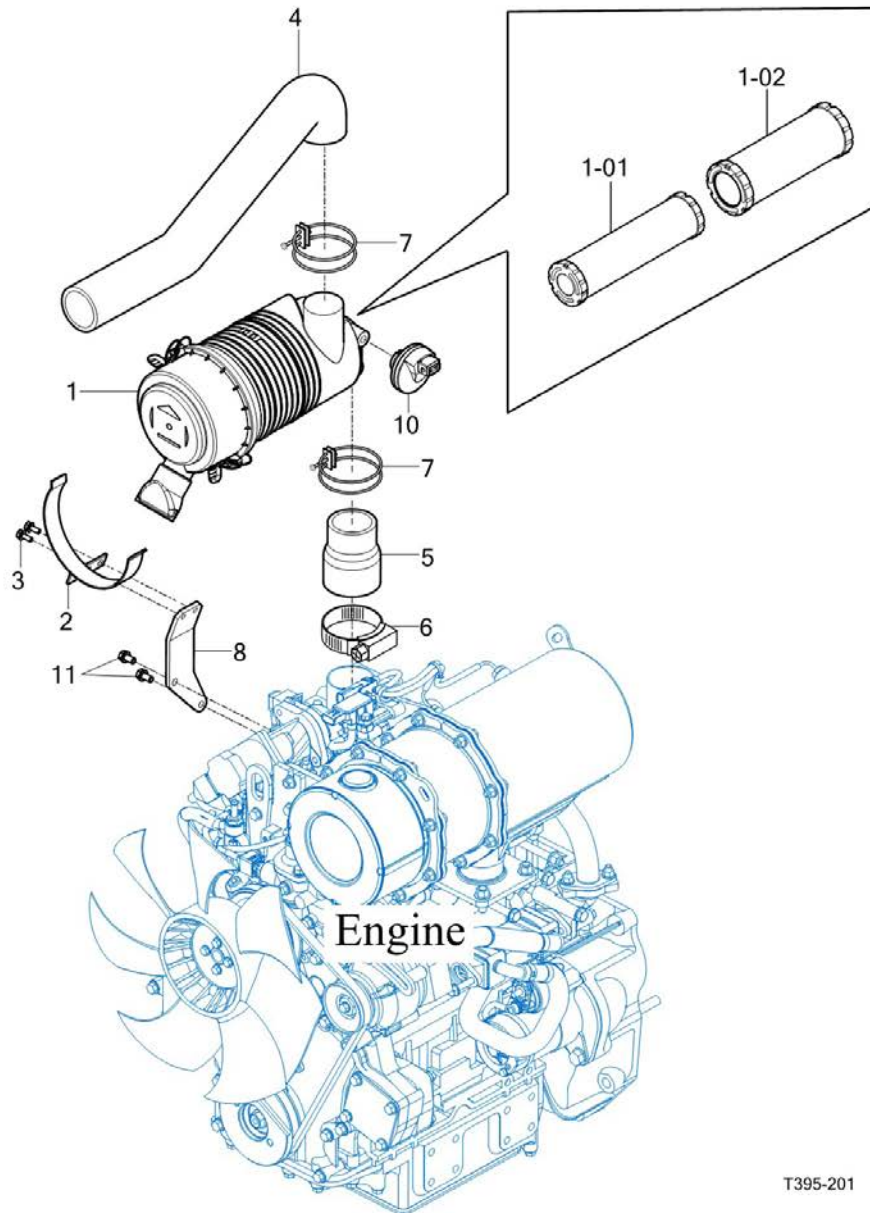
FIG 201

AIR CLEANER

년/월
Year/Month

2022-12

T395NHEU



T395-201

NOTE

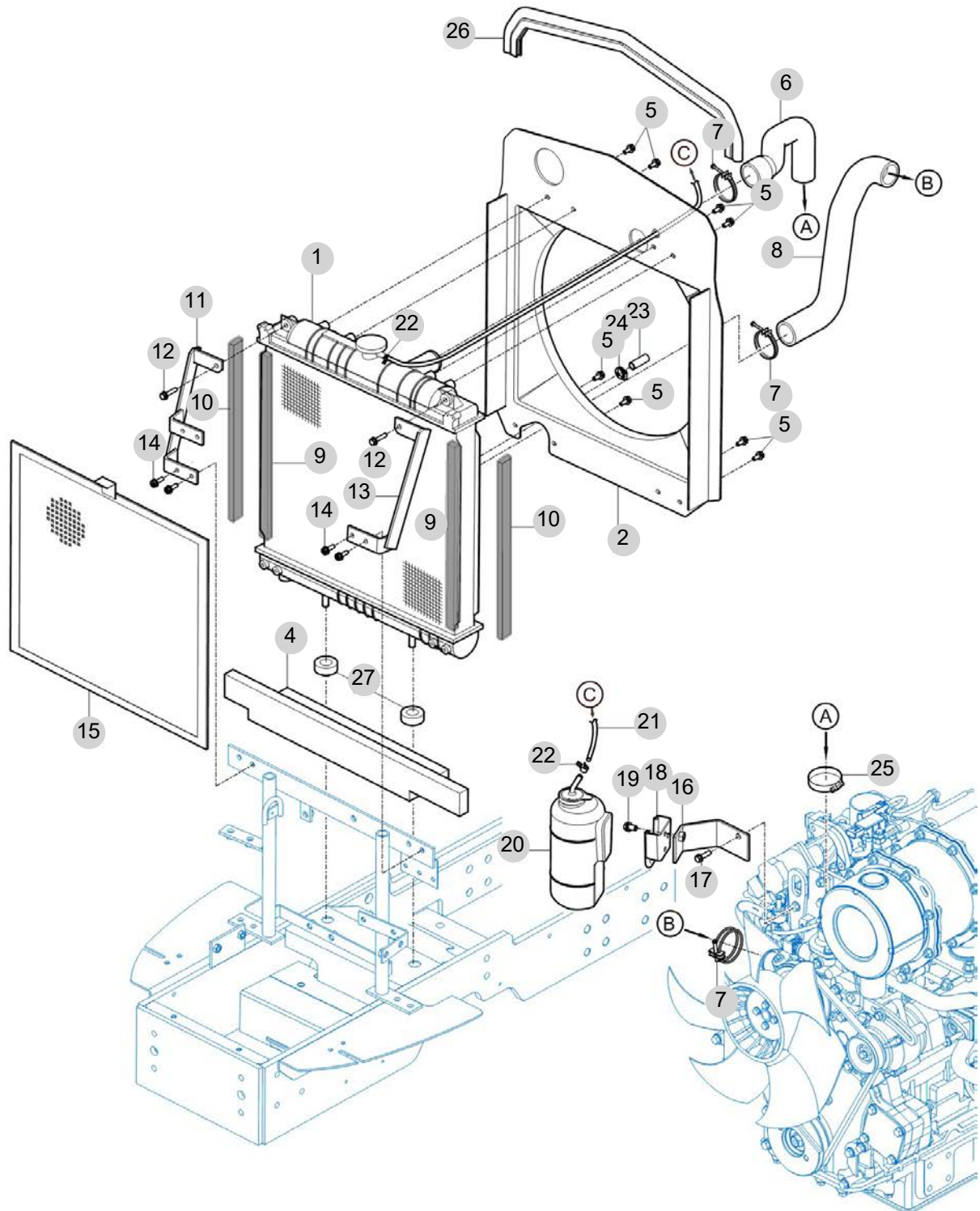
FIG 202

RADIATOR

년/월
Year/Month

2022-12

T395NHEU



NOTE

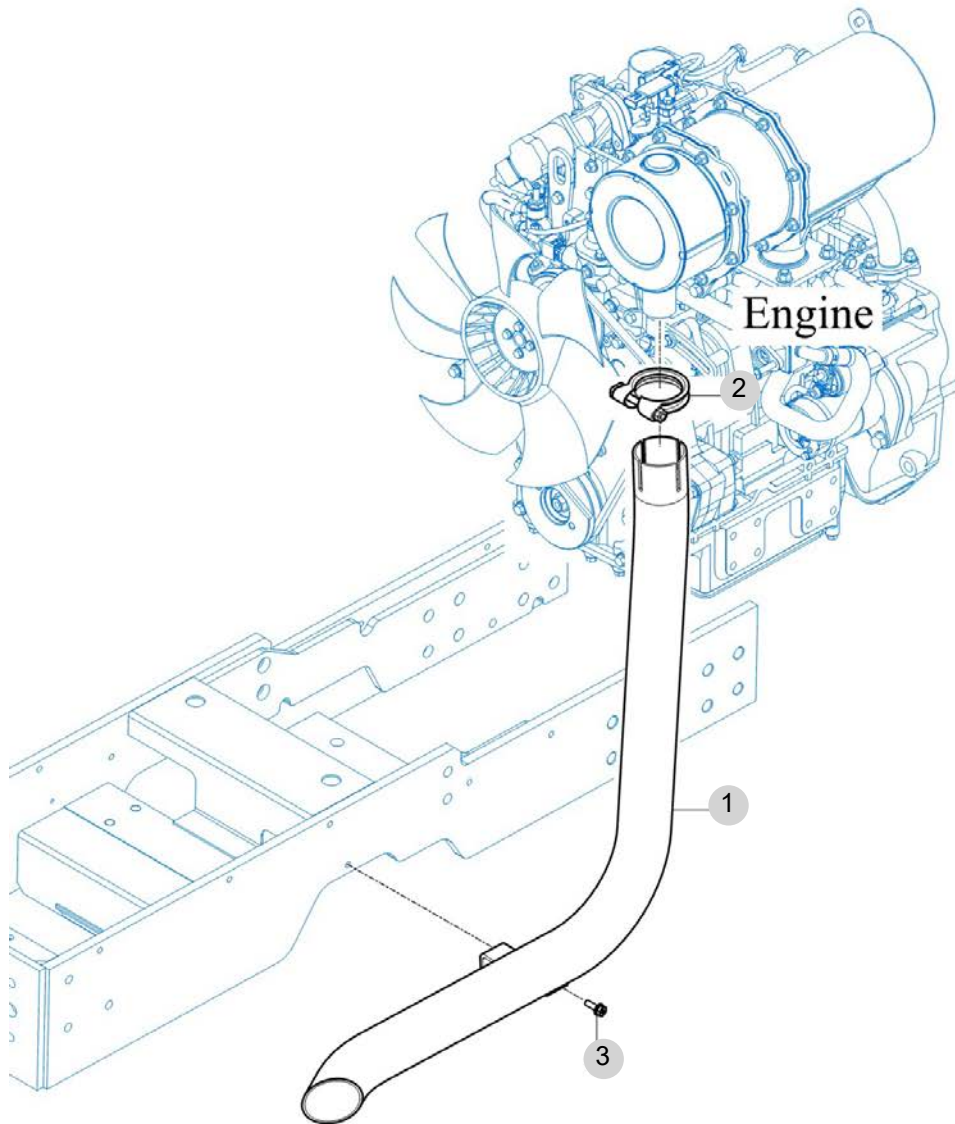
FIG 203

MUFFLER

년/월
Year/Month

T395NHEU

2022-12



NOTE

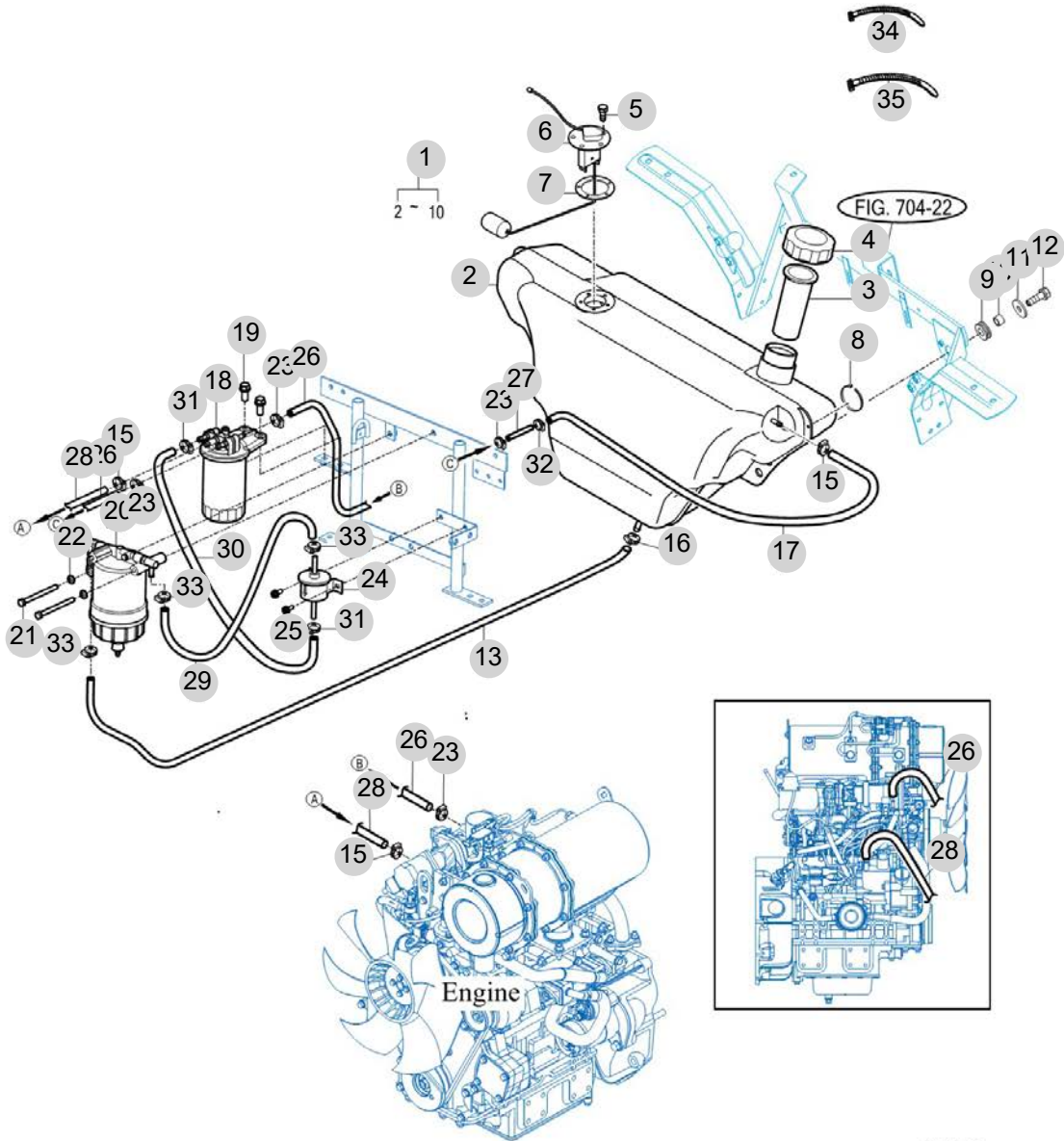
FIG 204

FUEL TANK & HOSE

년/월
Year/Month

2022-12

T395NHEU



T354-E-204

NOTE

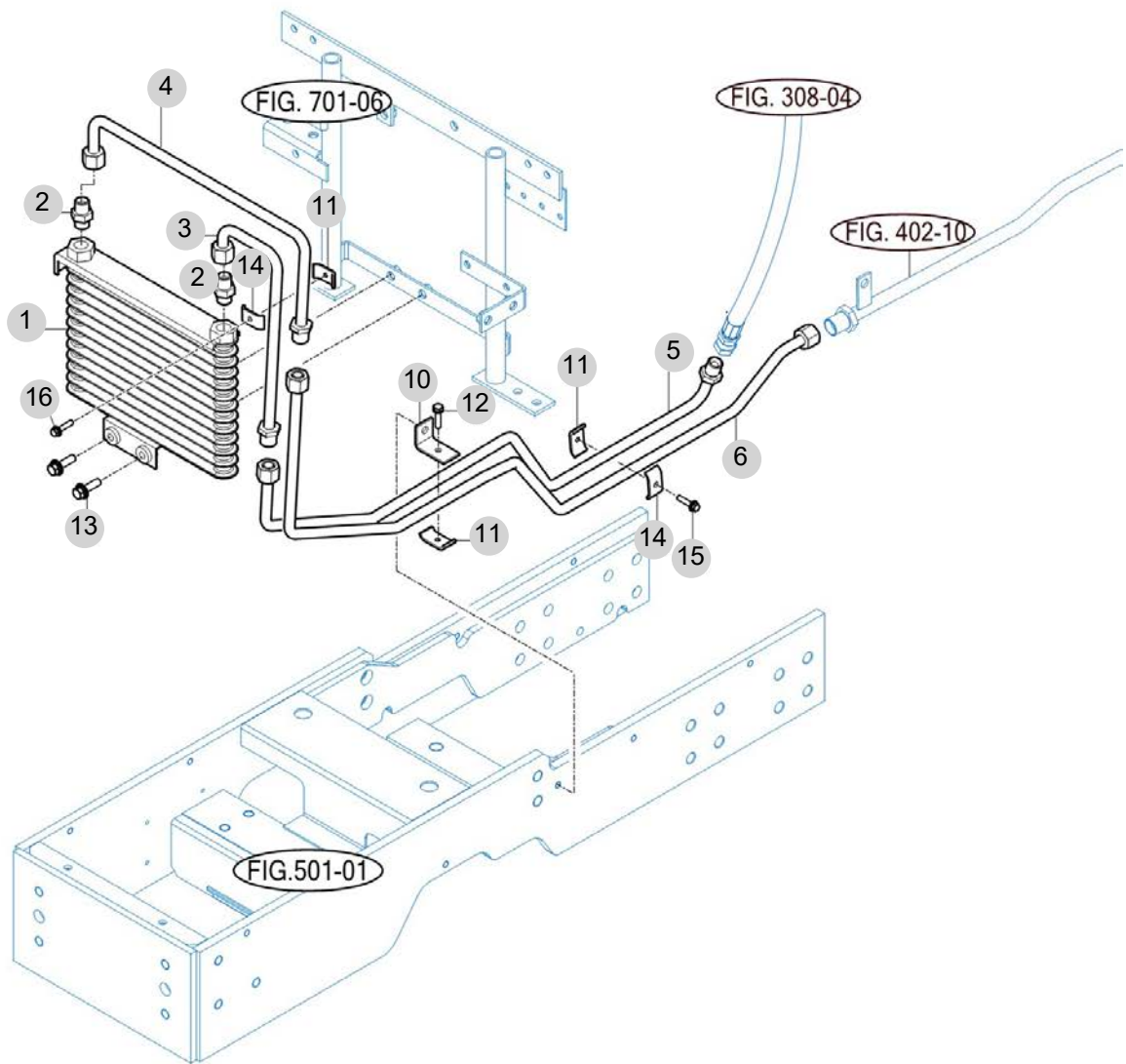
FIG 205

T395NHEU

OIL COOLER

년/월
Year/Month

2022-12



NOTE

3. 클러치/브레이크/스티어링 PART NO. T3

| | |
|-------------------------------------|----|
| FIG 301 FLYWHEEL & CLUTCH | 58 |
| FIG 302 BRAKE PEDAL | 60 |
| FIG 303 BRAKE | 62 |
| FIG 304 FRONT WHEEL MOUNTING | 64 |
| FIG 305 REAR WHEEL MOUNTING | 66 |
| FIG 306 STEERING WHEEL & DASH COVER | 68 |
| FIG 307 STEERING VALVE & TILT | 70 |
| FIG 308 STEERING CYLINDER | 72 |

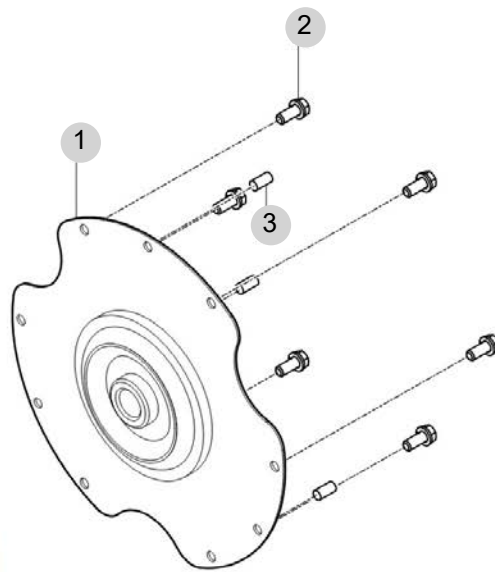
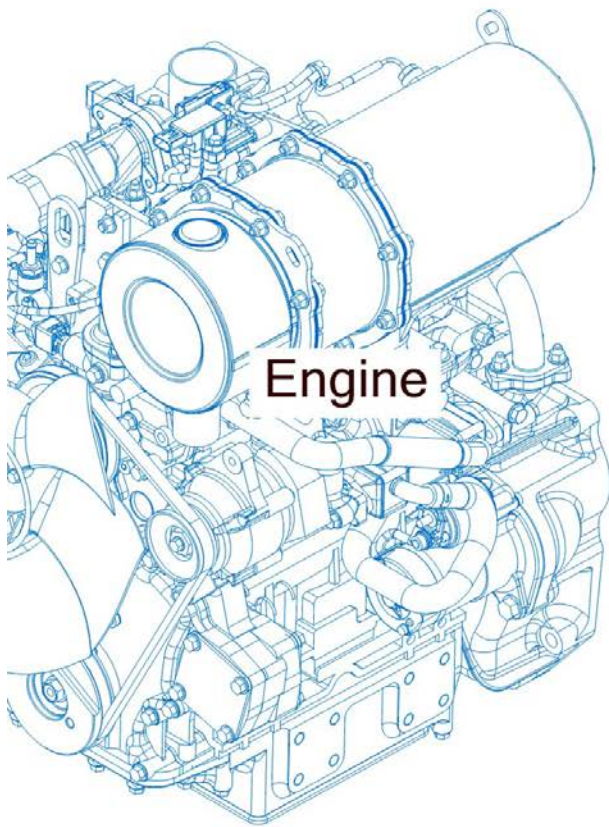
FIG 301

FLYWHEEL & CLUTCH

년/월
Year/Month

T395NHEU

2022-12



T393SH-E-301

NOTE

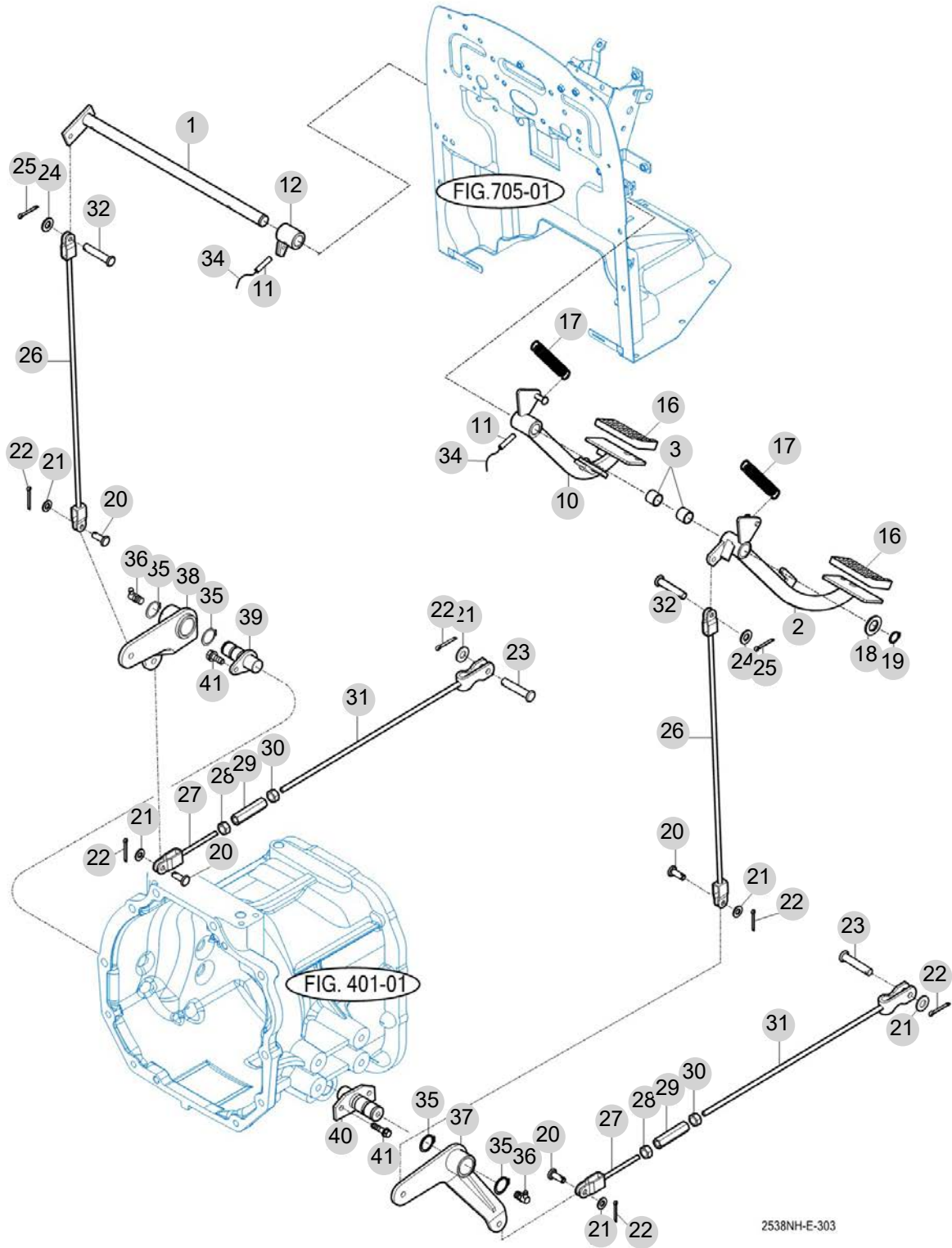
FIG 302

BRAKE PEDAL

년/월
Year/Month

2022-12

T395NHEU



2538NH-E-303

NOTE

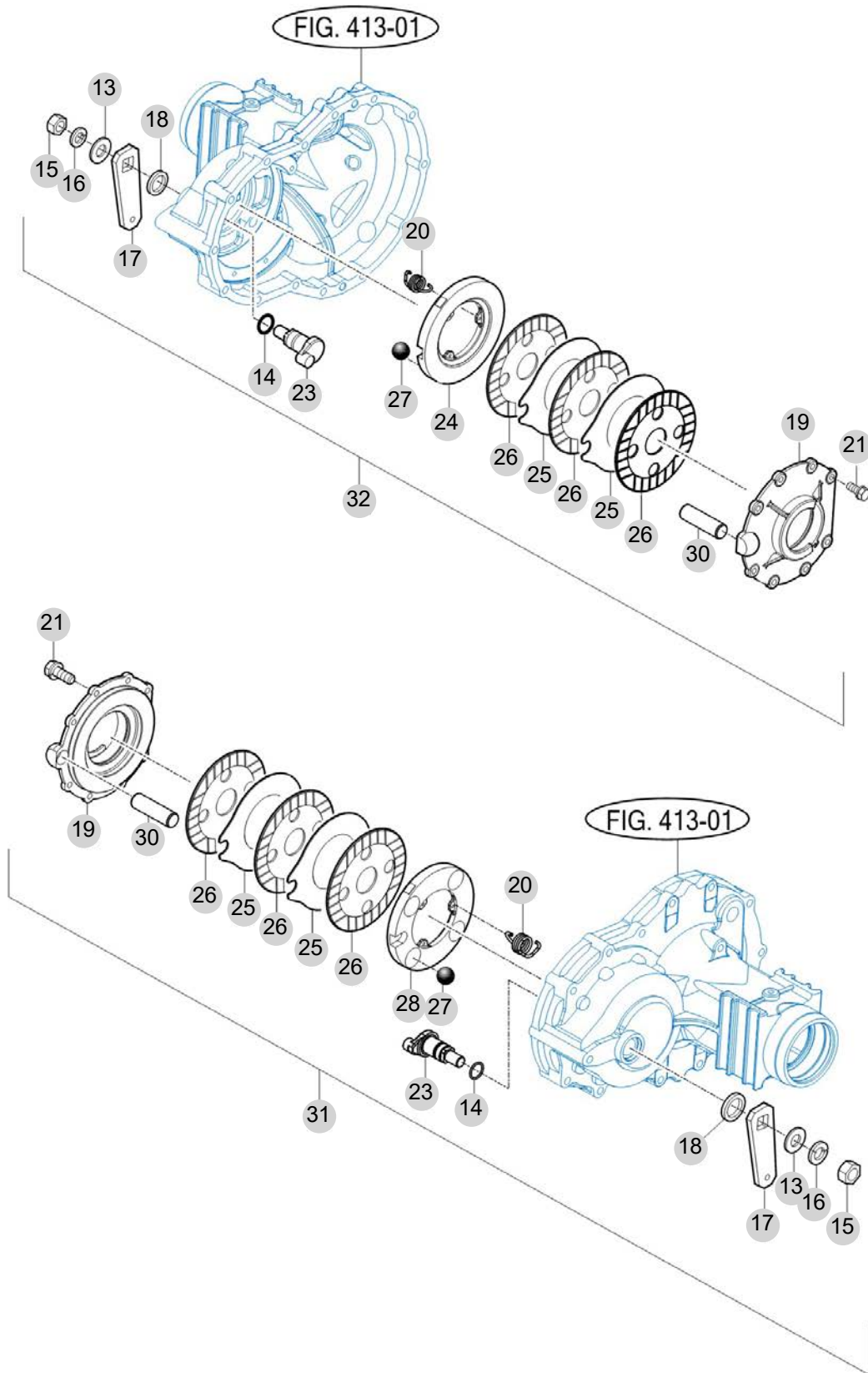
FIG 303

T395NHEU

BRAKE

년/월
Year/Month

2022-12



NOTE

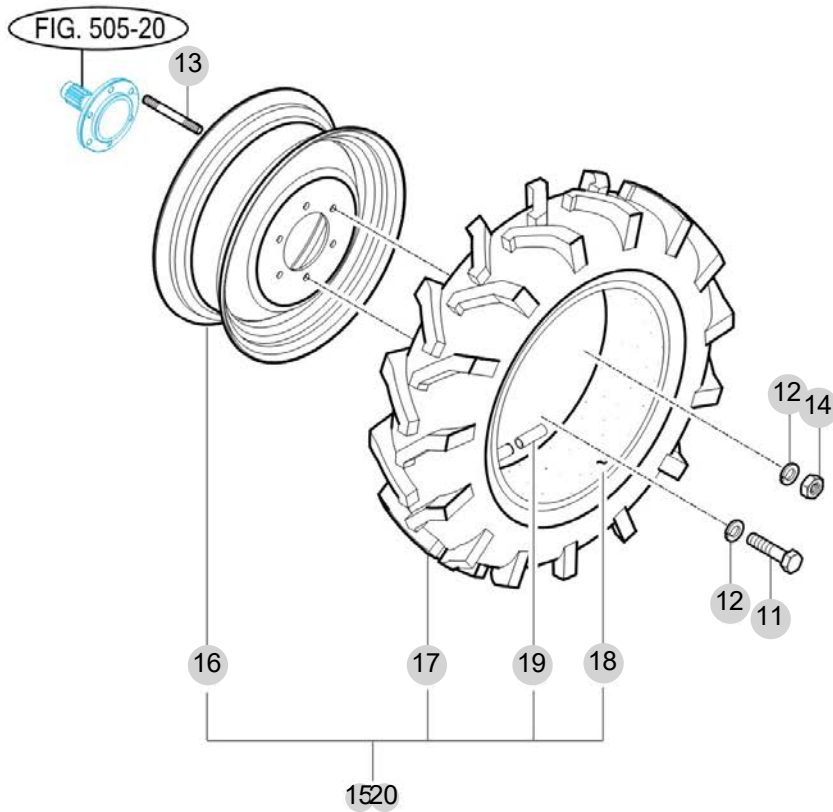
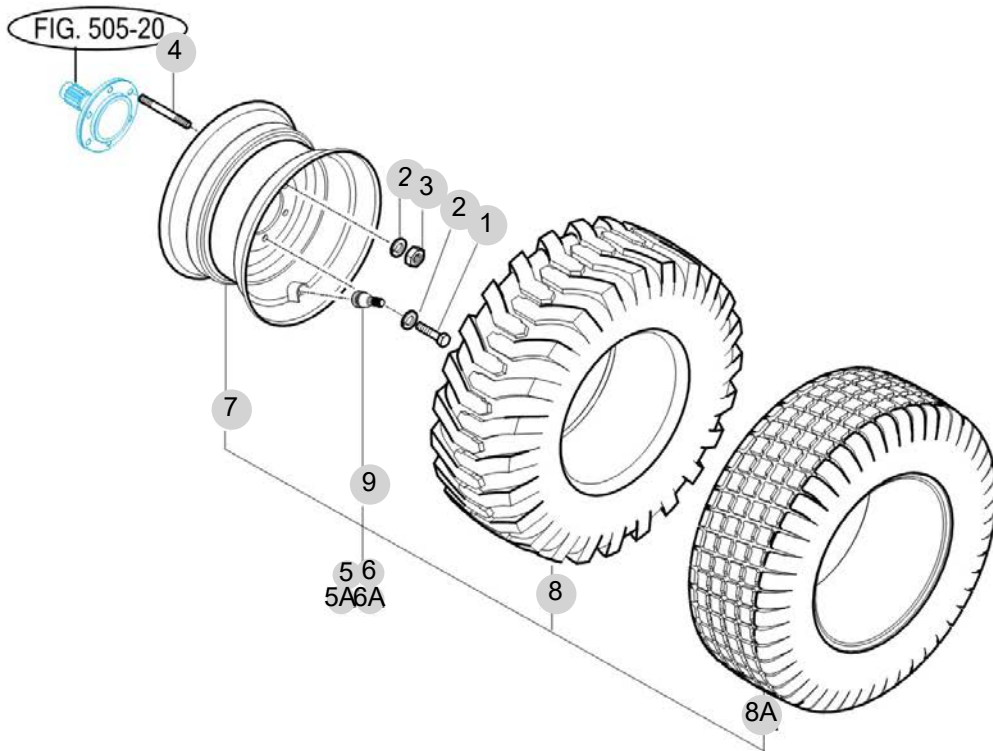
FIG 304

T395NHEU

FRONT WHEEL MOUNTING

년/월
Year/Month

2022-12



T384-E-304

NOTE

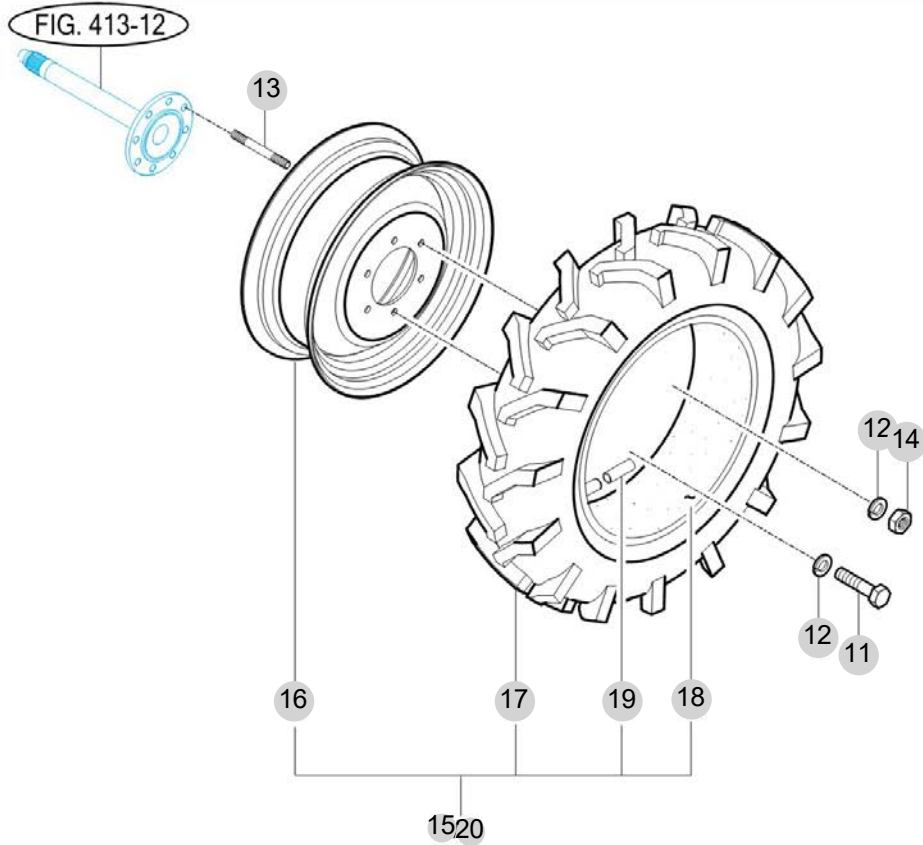
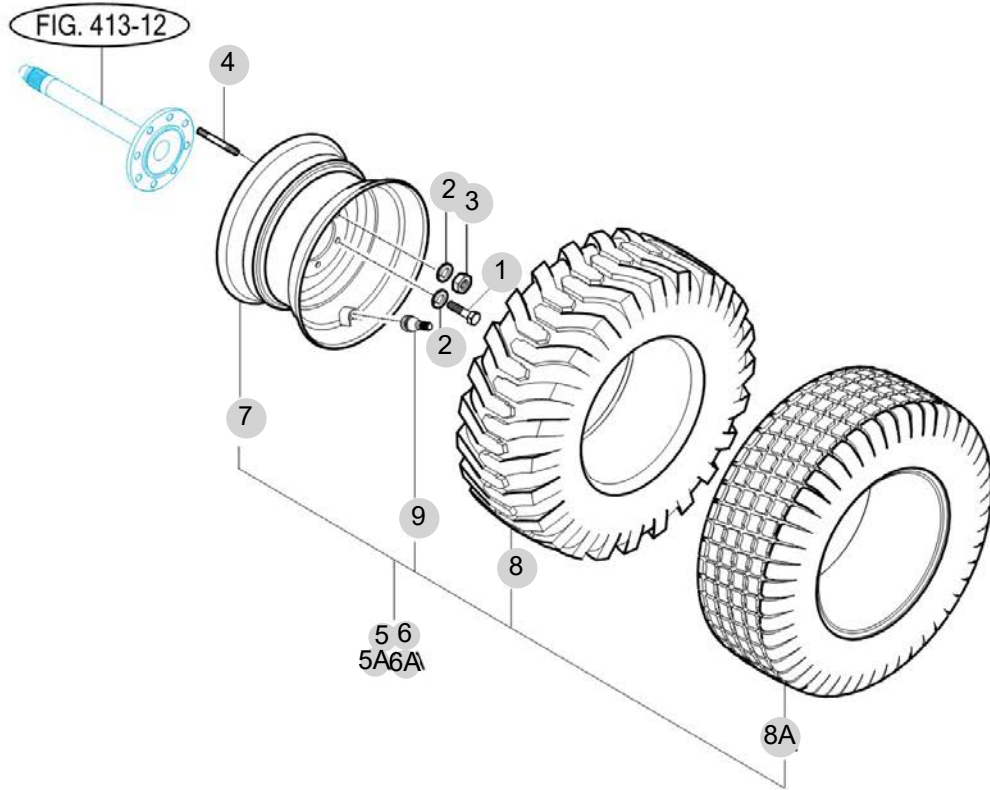
FIG 305

T395NHEU

REAR WHEEL MOUNTING

년/월
Year/Month

2022-12



T384-E-305

NOTE

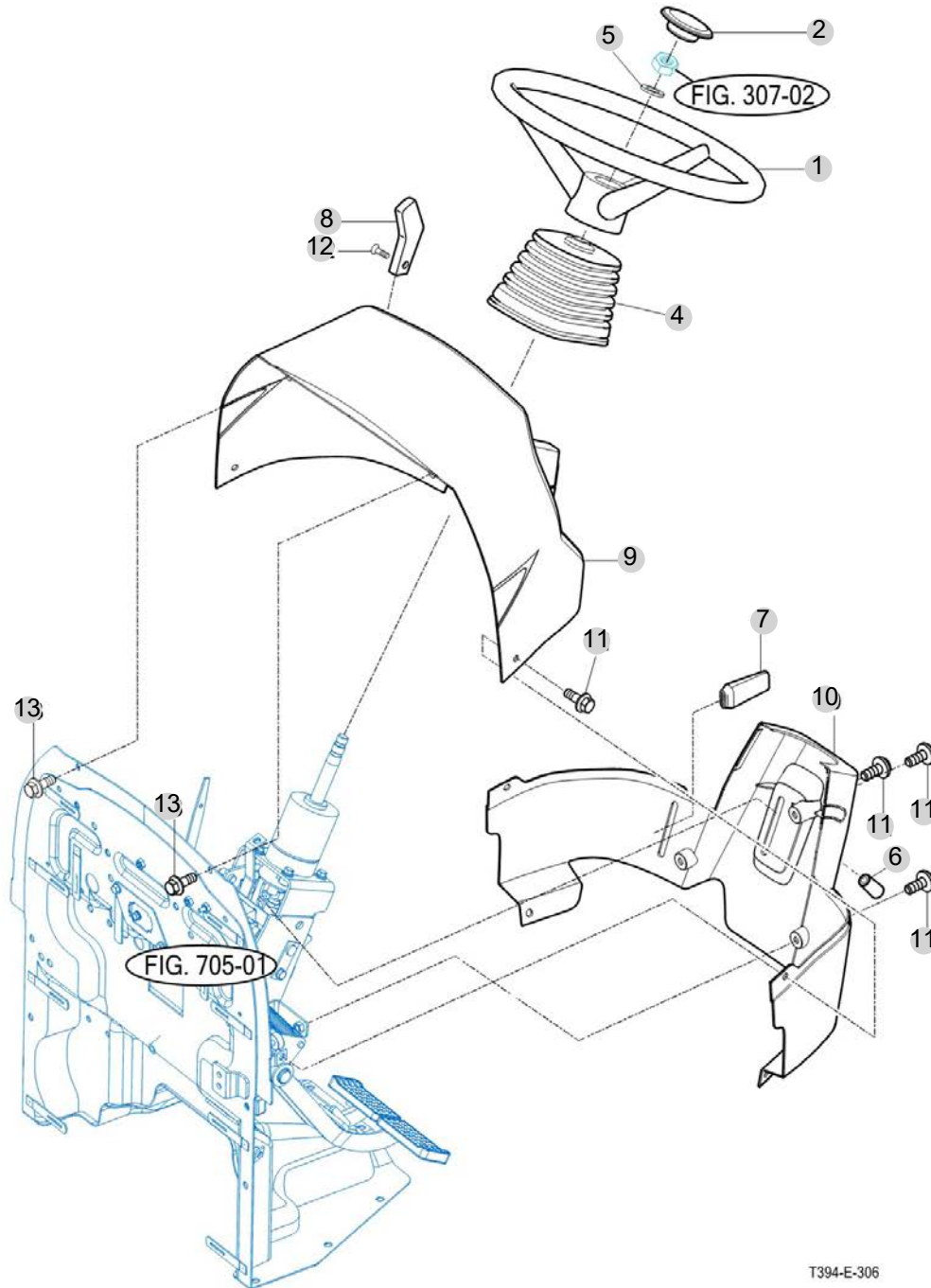
FIG 306

T395NHEU

STEERING WHEEL & DASH COVER

년/월
Year/Month

2022-12



NOTE

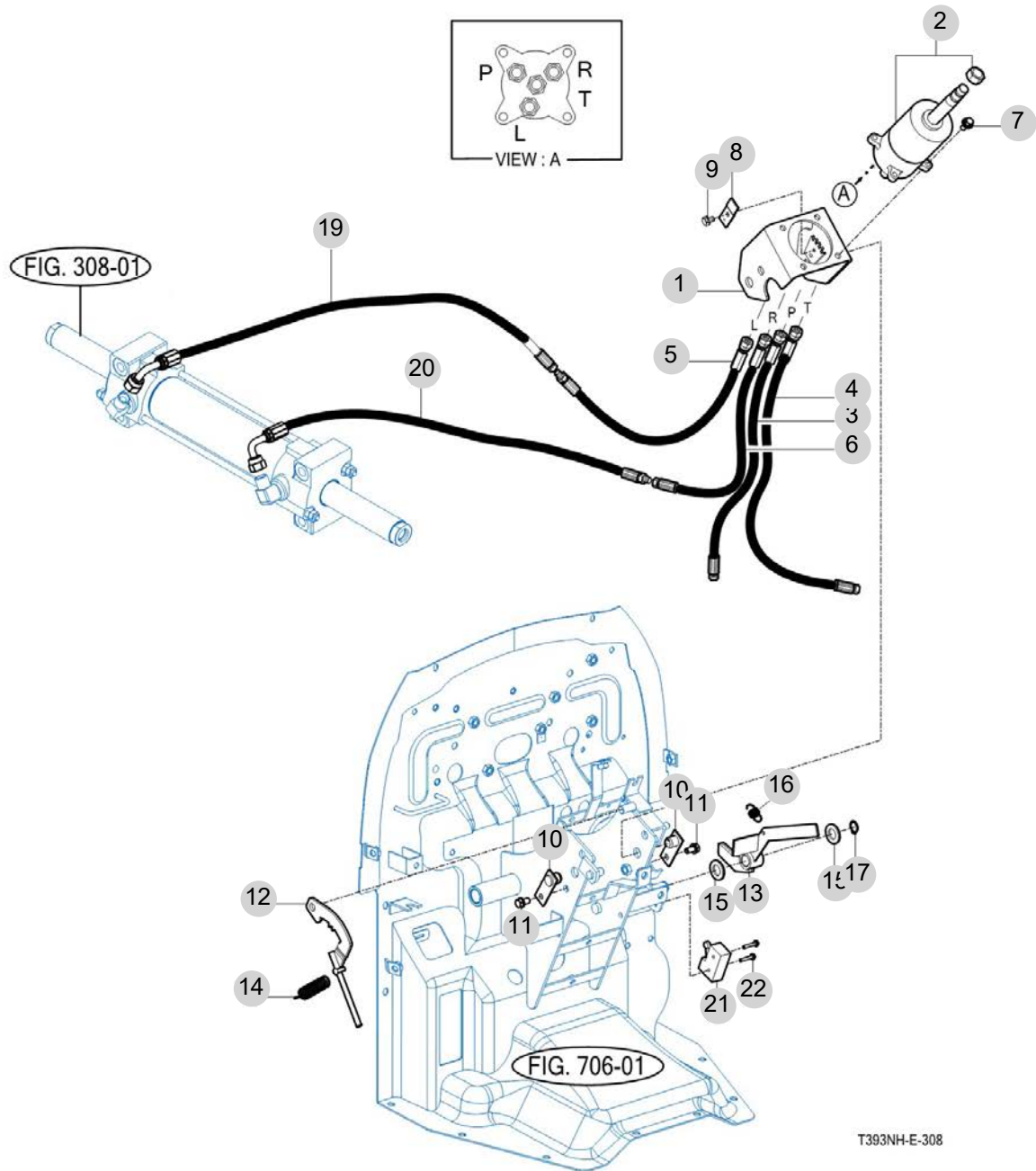
FIG 307

STEERING VALVE & TILT

년/월
Year/Month

2022-12

T395NHEU



NOTE

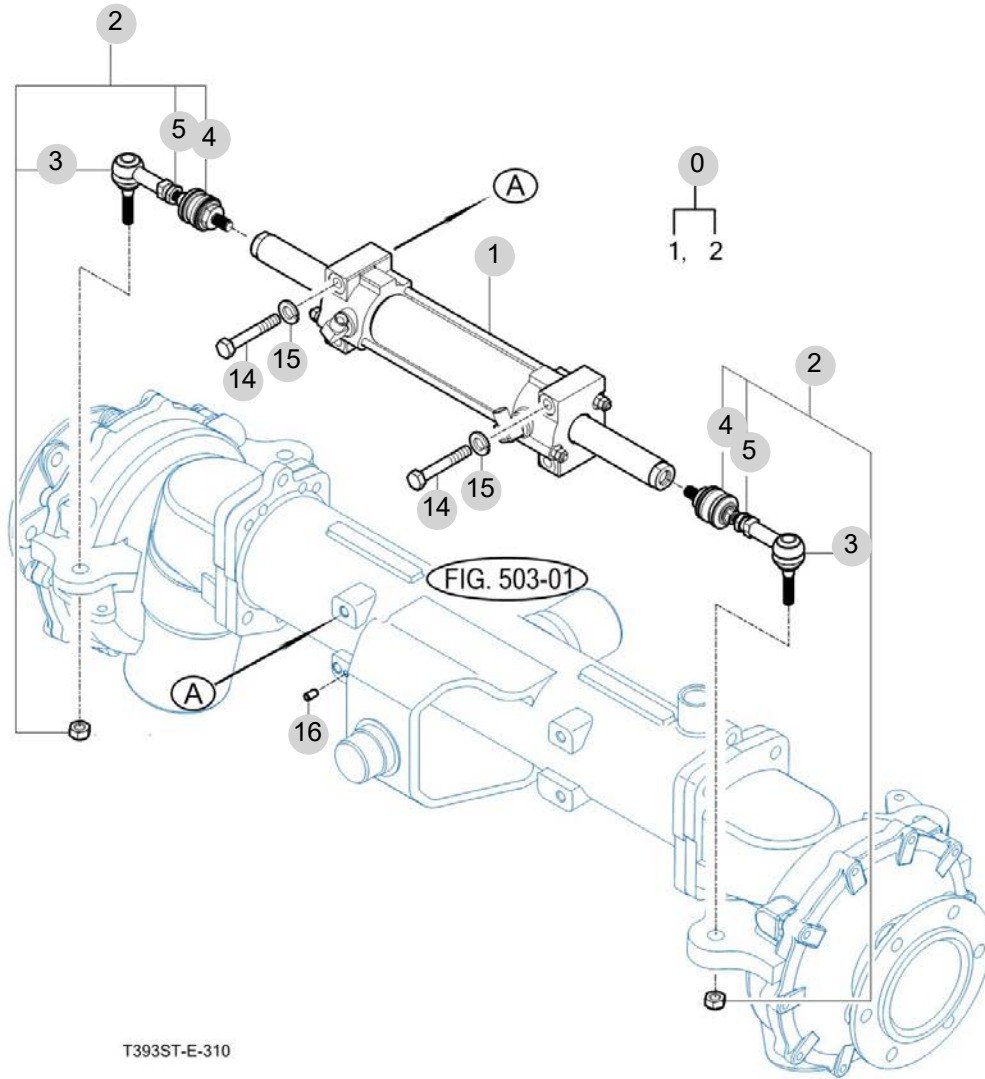
FIG 308

T395NHEU

STEERING CYLINDER

년/월
Year/Month

2022-12



NOTE

| | | | | | | | |
|---------------------|-------------------|--|--|--|--|--|-------------------|
| FIG 308 T395NHEU | STEERING CYLINDER | | | | | | 년/월 Year/Month |
| | | | | | | | 2022-12 |

| KEY NO | PART NO | DESCRIPTION | SPEC | QTY | REPAIR | EFFECTIVE DATE | REMARKS |
|--------|---------|-------------|------------|--------|--------|----------------|---------|
| 308 | 0 | 13864075000 | 실린더 ASSY | 1 | | | |
| 308 | 1 | 14524070081 | 실린더 COMP | 1 | | | |
| 308 | 2 | 16704074104 | 볼조인트 SET | 2 | | | |
| 308 | 3 | 16704363202 | 볼조인트 ASSY | 2 | | | |
| 308 | 4 | 13154063201 | 볼 소켓 ASSY | 2 | | | |
| 308 | 5 | V3343600160 | 소형육각너트가는2종 | M16 | 2 | | |
| 308 | 14 | V2024612085 | 소형육각볼트(가는) | M12X85 | 4 | | |
| 308 | 15 | V4011600120 | 스프링와셔 | M12 | 4 | | |
| 308 | 16 | V5201010020 | 평행핀(A) | 1 | | | |
| | | | | | | | |
| | | | | | | | |
| | | | | | | | |
| | | | | | | | |
| | | | | | | | |
| | | | | | | | |
| | | | | | | | |
| | | | | | | | |
| | | | | | | | |
| | | | | | | | |
| | | | | | | | |
| | | | | | | | |
| | | | | | | | |
| | | | | | | | |
| | | | | | | | |
| | | | | | | | |
| | | | | | | | |
| | | | | | | | |
| | | | | | | | |
| | | | | | | | |
| | | | | | | | |
| | | | | | | | |
| | | | | | | | |
| | | | | | | | |
| | | | | | | | |
| | | | | | | | |
| | | | | | | | |
| | | | | | | | |
| | | | | | | | |
| | | | | | | | |
| | | | | | | | |
| | | | | | | | |
| | | | | | | | |
| | | | | | | | |
| | | | | | | | |
| | | | | | | | |
| | | | | | | | |
| | | | | | | | |
| | | | | | | | |
| NOTE | | | | | | | |

4. 트랜스미션 PART NO. T4

| | |
|---|-----|
| FIG 401 TRANSMISSION FRONT CASE | 75 |
| FIG 402 HST | 77 |
| FIG 403 MID CASE | 79 |
| FIG 404 4WD DRIVE GEAR | 81 |
| FIG 405 INPUT GEAR | 83 |
| FIG 406 SUB CHANGE GEARS | 85 |
| FIG 407 PINION GEARS | 87 |
| FIG 408 PTO DRIVE SHAFT | 89 |
| FIG 409 PTO CHANGE GEARS | 91 |
| FIG 410 DIFF LOCK | 94 |
| FIG 411 TRANSMISSION REAR CASE | 96 |
| FIG 412 REAR AXLE HOUSINGS (1) | 98 |
| FIG 413 REAR AXLE HOUSINGS (2) | 100 |
| FIG 414 MID P.T.O GEARS | 102 |
| FIG 415 SUB CHANGE LEVER | 104 |
| FIG 416 FORWARD & REVERSE CONTROL LINKAGE | 106 |
| FIG 417 CRUISE CONTROL | 108 |
| FIG 418 4WD CHANGE LEVER | 110 |

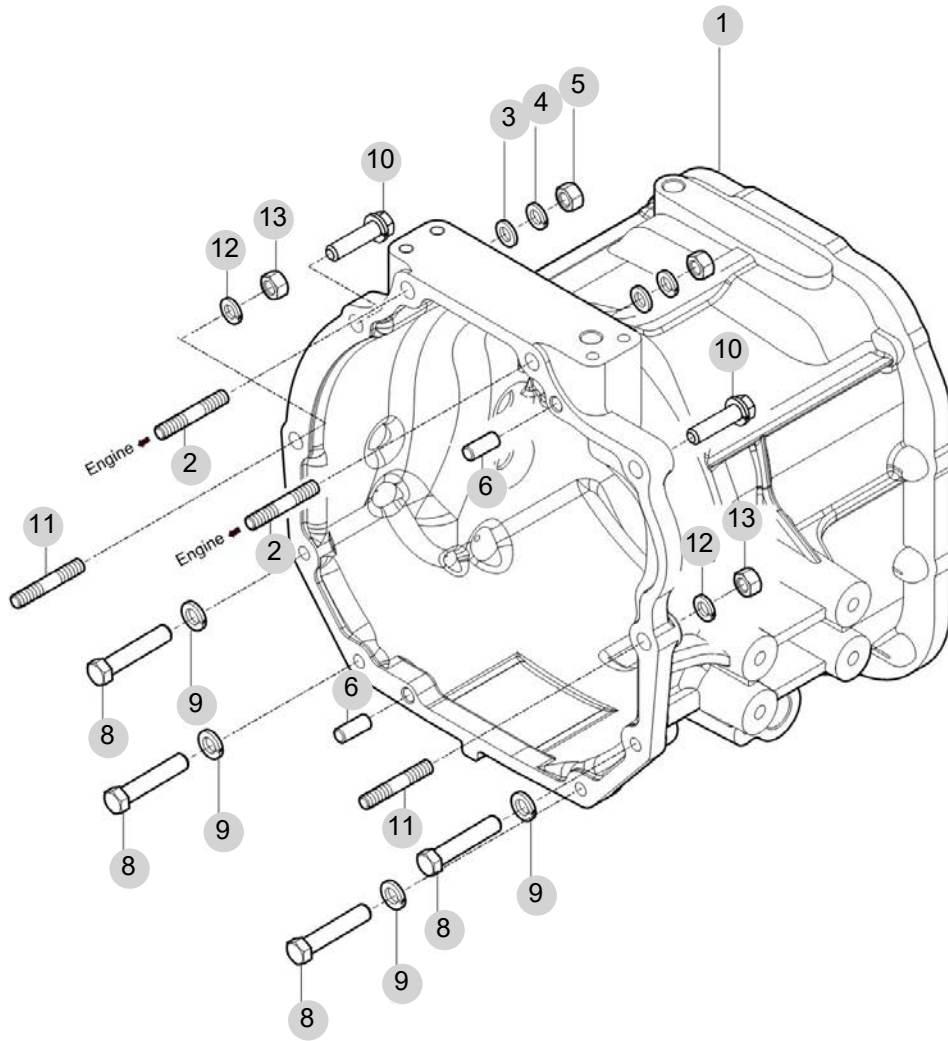
FIG 401

T395NHEU

TRANSMISSION FRONT CASE

년/월
Year/Month

2022-12



T394NH-E-401

NOTE

| FIG 401 T395NHEU | | TRANSMISSION FRONT CASE | | | | | | 년/월 Year/Month |
|---------------------|---------|-------------------------|---------------|--------|--------|----------------|---------|-------------------|
| | | | | | | | | 2022-12 |
| KEY NO | PART NO | DESCRIPTION | SPEC | QTY | REPAIR | EFFECTIVE DATE | REMARKS | |
| 401 | 1 | 12352100011M | 프런트 트랜스미션 케이스 | | | 1 | | |
| 401 | 2 | V2513412090 | 스터드볼트2종 | M12X90 | | 2 | | |
| 401 | 3 | V4111600120 | 평와셔 | M12 | | 2 | | |
| 401 | 4 | V4011600120 | 스프링와셔 | M12 | | 2 | | |
| 401 | 5 | V3043600120 | 소형육각너트보통2종 | M12 | | 2 | | |
| 401 | 6 | V5201010022 | 평행핀(A) | 10X22 | | 2 | | |
| 401 | 8 | V2013612060 | 소형육각볼트(보통) | M12X60 | | 4 | | |
| 401 | 9 | V4011600120 | 스프링와셔 | M12 | | 4 | | |
| 401 | 10 | V2173612040 | 소형육각볼트보통(S) | M12X40 | | 2 | | |
| 401 | 11 | V2513412045 | 스터드볼트2종 | M12X45 | | 2 | | |
| 401 | 12 | V4011600120 | 스프링와셔 | M12 | | 2 | | |
| 401 | 13 | V3043600120 | 소형육각너트보통2종 | M12 | | 2 | | |
| | | | | | | | | |
| | | | | | | | | |
| | | | | | | | | |
| | | | | | | | | |
| | | | | | | | | |
| | | | | | | | | |
| | | | | | | | | |
| | | | | | | | | |
| | | | | | | | | |
| | | | | | | | | |
| | | | | | | | | |
| | | | | | | | | |
| | | | | | | | | |
| | | | | | | | | |
| | | | | | | | | |
| | | | | | | | | |
| | | | | | | | | |
| | | | | | | | | |
| | | | | | | | | |
| | | | | | | | | |
| | | | | | | | | |
| | | | | | | | | |
| | | | | | | | | |
| | | | | | | | | |
| | | | | | | | | |
| | | | | | | | | |
| | | | | | | | | |
| | | | | | | | | |
| | | | | | | | | |
| NOTE | | | | | | | | |

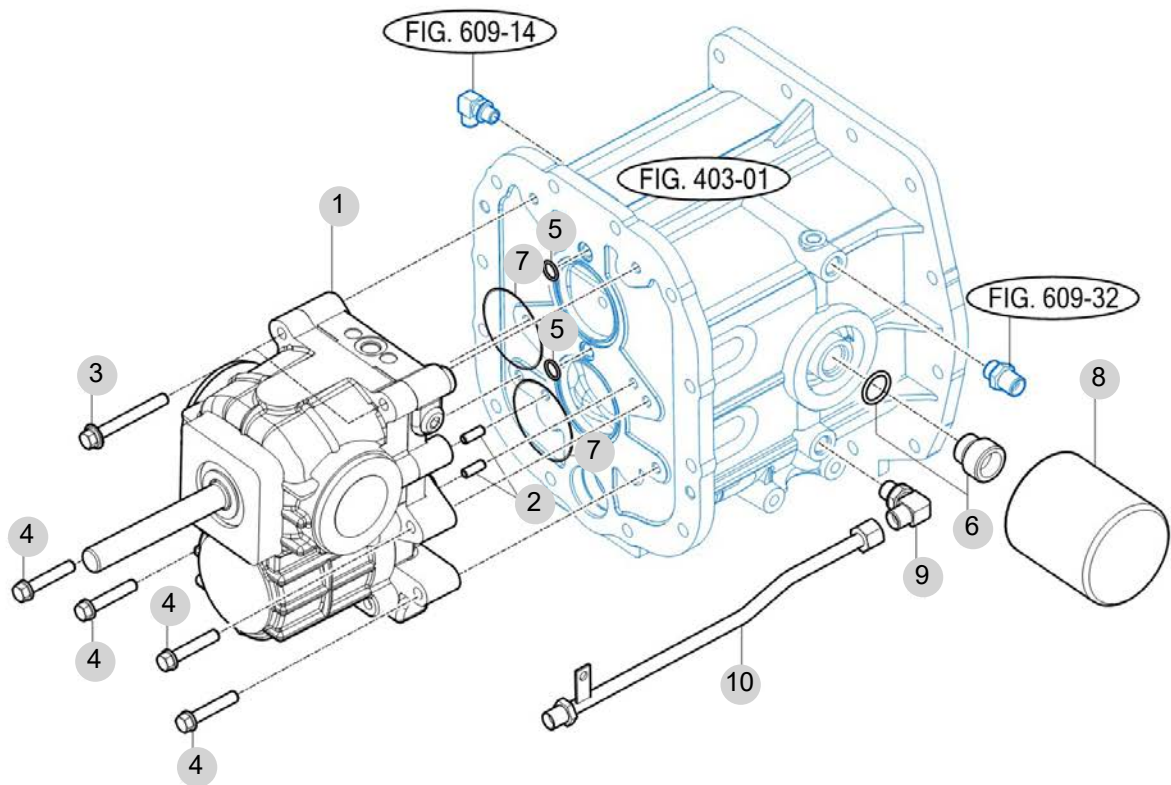
FIG 402

T395NHEU

HST

년/월
Year/Month

2022-12



NOTE

| FIG 402 | | HST | | | | | | 년/월 | REMARKS |
|----------|---------|-------------|--------------------------|--------|-----|--------|----------------|------------|---------|
| | | | | | | | | Year/Month | |
| T395NHEU | | | | | | | | 2022-12 | |
| KEY NO | PART NO | | DESCRIPTION | SPEC | QTY | REPAIR | EFFECTIVE DATE | | |
| 402 | 1 | 12352302000 | HST(37cc) ASSY | | 1 | | | | |
| 402 | 2 | V5201010022 | 평행핀(A) | 10X22 | 2 | | | | |
| 402 | 3 | V2173610085 | 소형육각볼트보통(S) | M10X85 | 2 | | | | |
| 402 | 4 | V2173610055 | 소형육각볼트보통(S) | M10X55 | 4 | | | | |
| 402 | 5 | V7201124014 | O링(P) | P14 | 2 | | | | |
| 402 | 6 | 12382316000 | 유니온 PF3/4 , I 3/8-12 UNF | | 1 | | | | |
| 402 | 7 | V7211031080 | O링(G) | G80 | 2 | | | | |
| 402 | 8 | 13152302100 | FILTER COMP , HST | | 1 | | | | |
| 402 | 9 | 14725100100 | 엘보 PF 3/8xM18 | | 1 | | | | |
| 402 | 10 | 12385104300 | HST 파이프 COMP | | 1 | | | | |
| | | | | | | | | | |
| | | | | | | | | | |
| | | | | | | | | | |
| | | | | | | | | | |
| | | | | | | | | | |
| | | | | | | | | | |
| | | | | | | | | | |
| | | | | | | | | | |
| | | | | | | | | | |
| | | | | | | | | | |
| | | | | | | | | | |
| | | | | | | | | | |
| | | | | | | | | | |
| | | | | | | | | | |
| | | | | | | | | | |
| | | | | | | | | | |
| | | | | | | | | | |
| | | | | | | | | | |
| | | | | | | | | | |
| | | | | | | | | | |
| | | | | | | | | | |
| | | | | | | | | | |
| | | | | | | | | | |
| | | | | | | | | | |
| | | | | | | | | | |
| | | | | | | | | | |
| | | | | | | | | | |
| | | | | | | | | | |
| NOTE | | | | | | | | | |

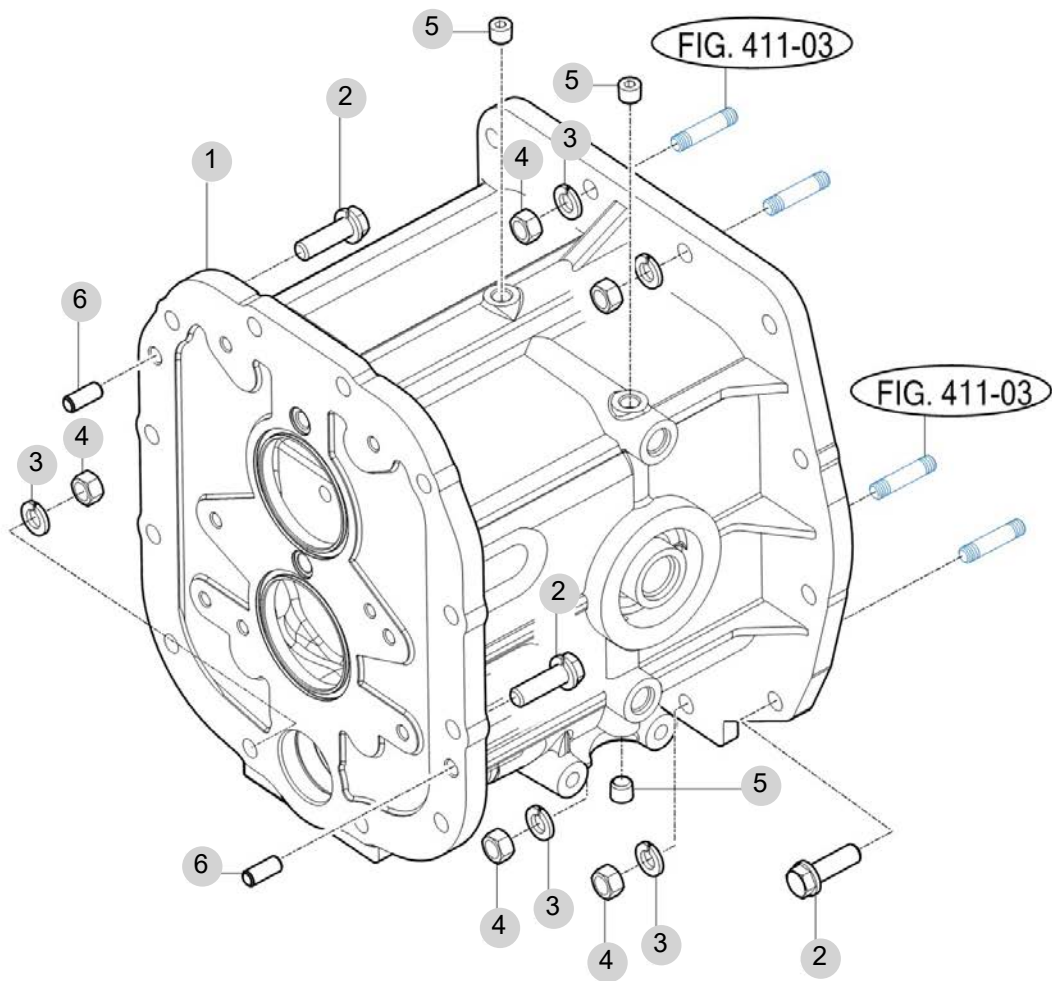
FIG 403

T395NHEU

MID CASE

년/월
Year/Month

2022-12



NOTE

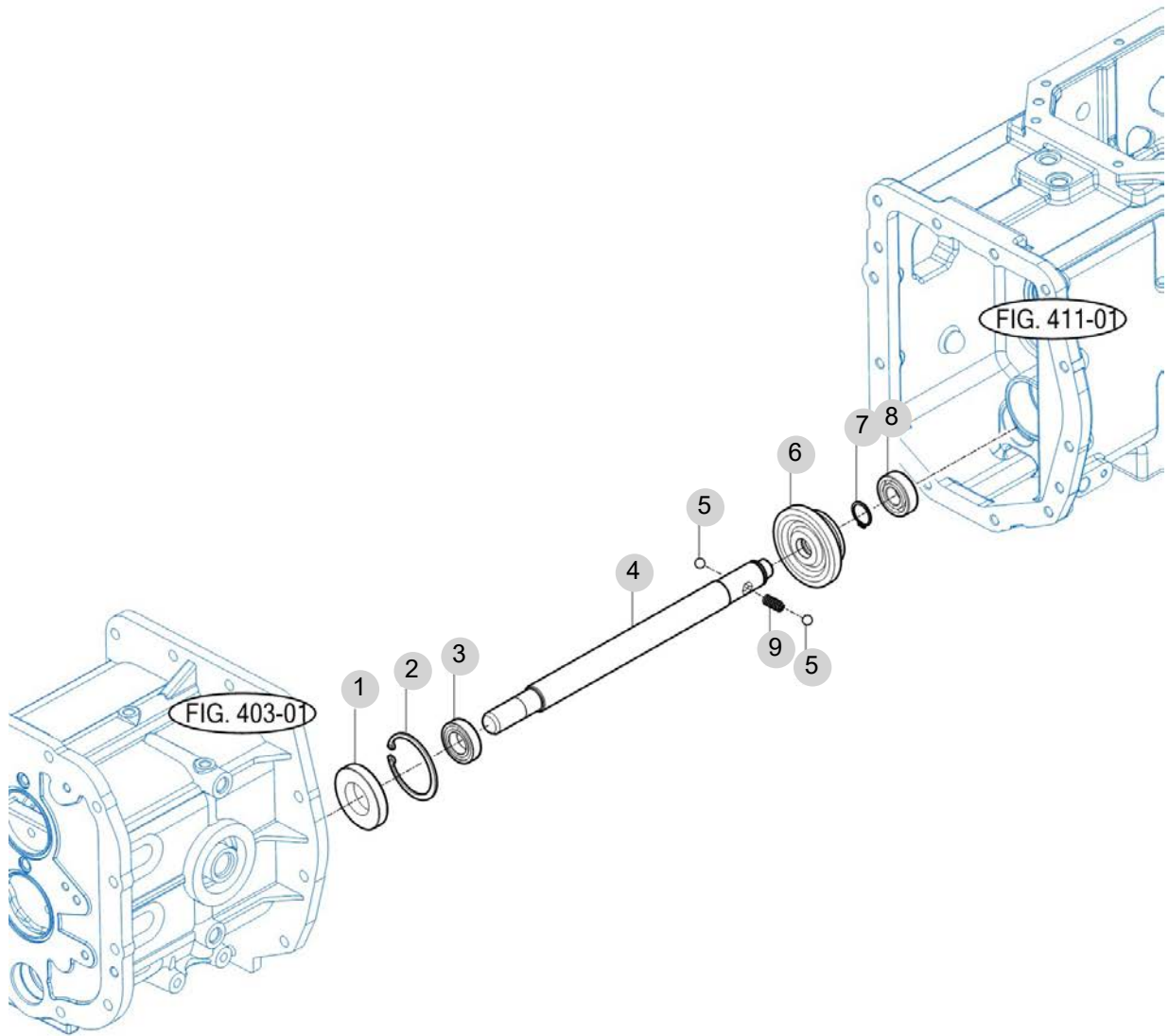
FIG 404

T395NHEU

4WD DRIVE GEAR

년/월
Year/Month

2022-12



NOTE

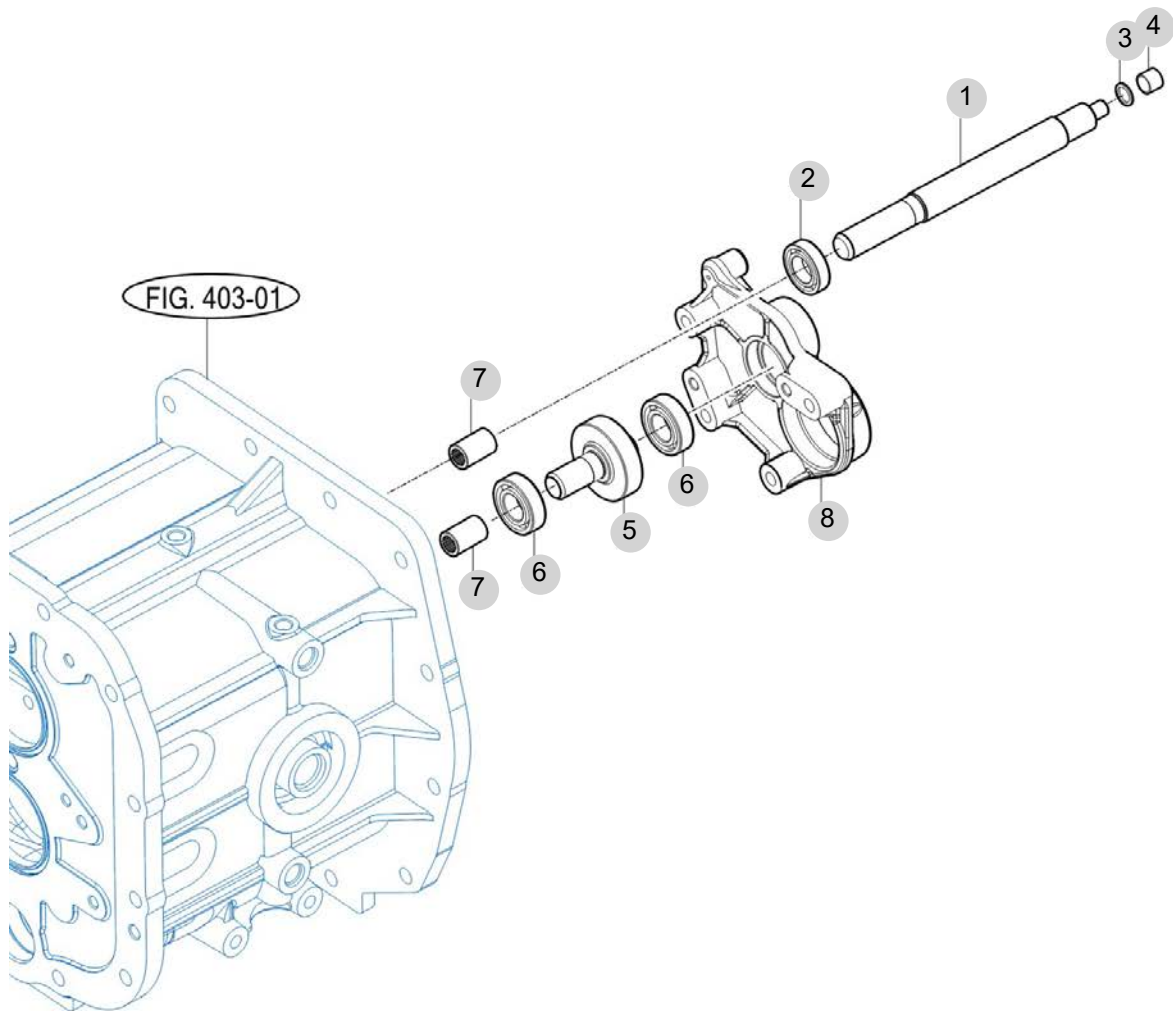
FIG 405

T395NHEU

INPUT GEAR

년/월
Year/Month

2022-12



NOTE

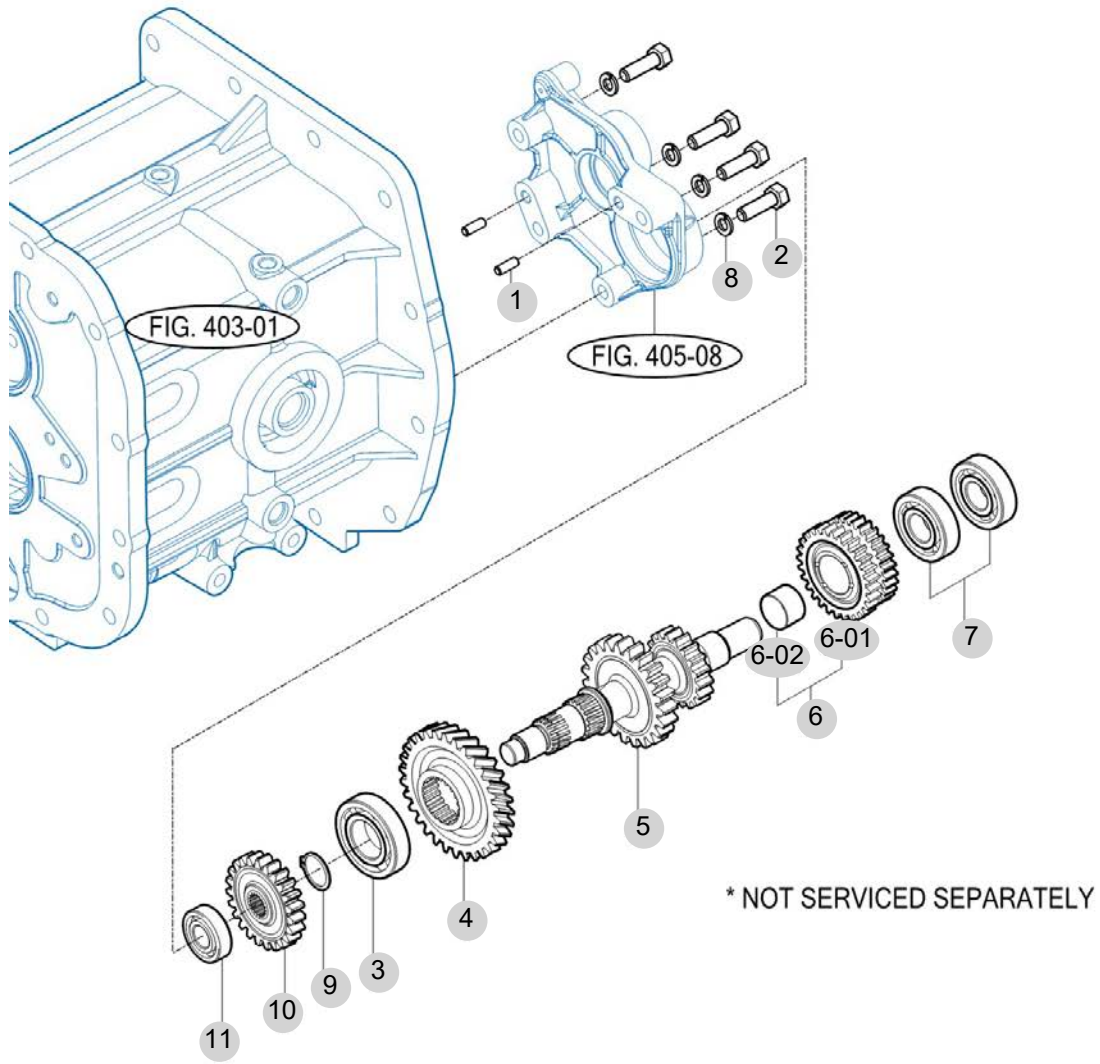
FIG 406

T395NHEU

SUB CHANGE GEARS

년/월
Year/Month

2022-12



2538NH-E-406

NOTE

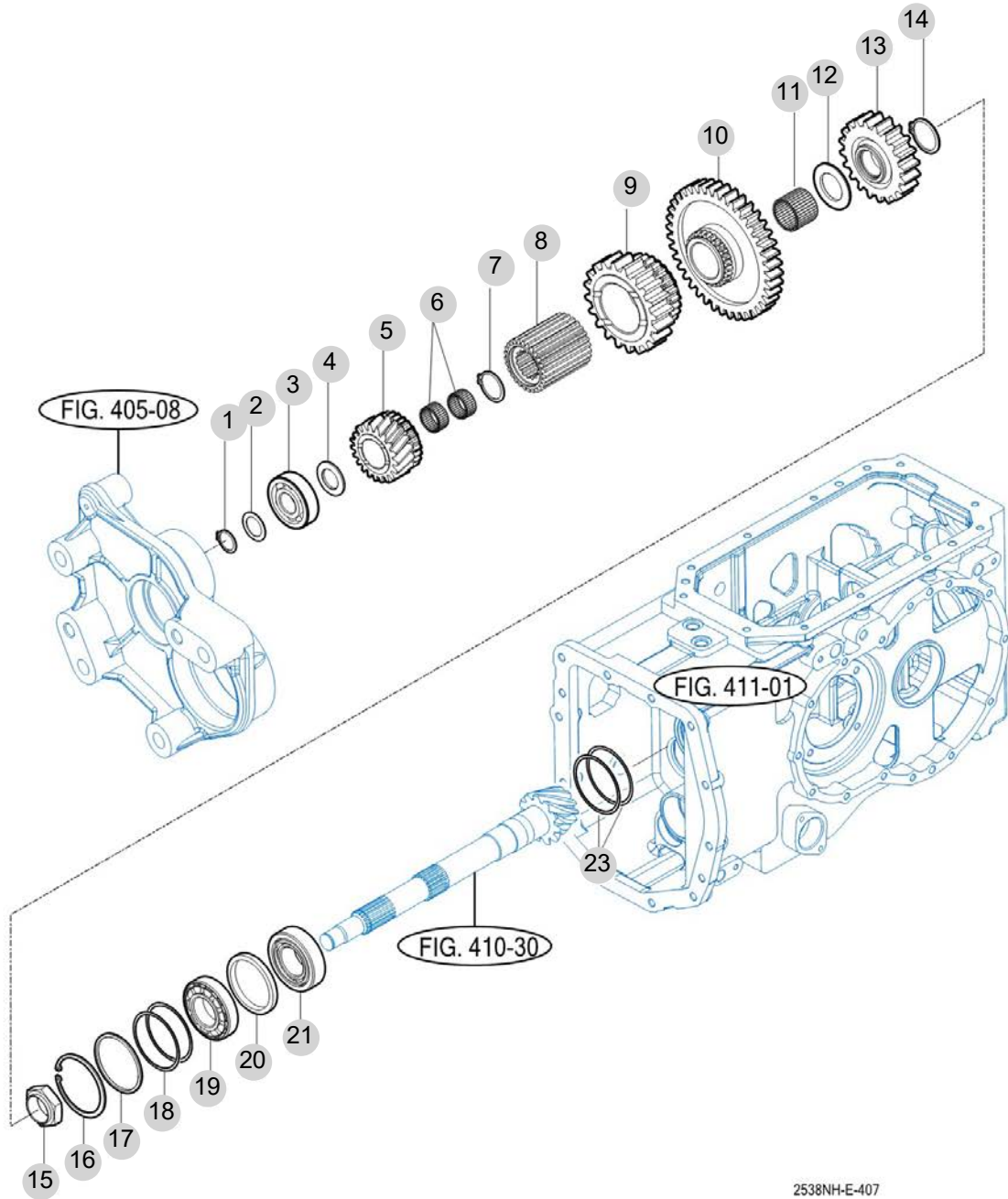
FIG 407

T395NHEU

PINION GEARS

년/월
Year/Month

2022-12



2538NH-E-407

NOTE

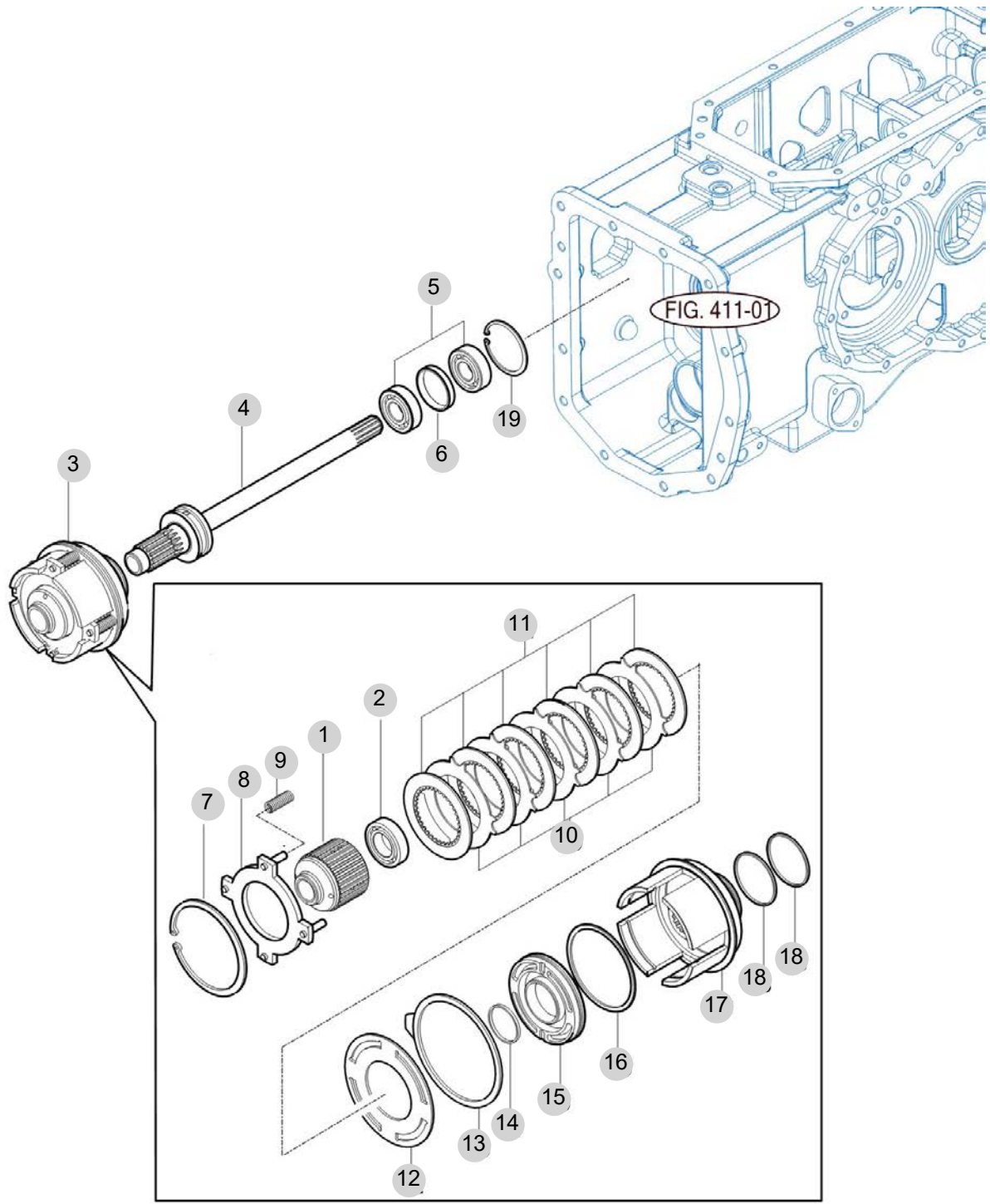
FIG 408

T395NHEU

PTO DRIVE SHAFT

년/월
Year/Month

2022-12



NOTE

| FIG 408 | | PTO DRIVE SHAFT | | | | | | 년/월 | REMARKS |
|----------|---------|-----------------|---------------|------|--------|----------------|---|------------|---------|
| | | | | | | | | Year/Month | |
| T395NHEU | | | | | | | | 2022-12 | |
| KEY NO | PART NO | DESCRIPTION | SPEC | QTY | REPAIR | EFFECTIVE DATE | | | |
| 408 | 1 | 16702191021 | PTO허브기어 | | | | 1 | | |
| 408 | 2 | V6001106005 | 볼베어링 | 6005 | | | 1 | | |
| 408 | 3 | 16702212000 | 클러치(PTO) ASSY | | | | 1 | | |
| 408 | 4 | 16702171041 | PTO 클러치 축 | | | | 1 | | |
| 408 | 5 | V6001106204 | 볼베어링 | 6204 | | | 2 | | |
| 408 | 6 | 16702200041 | 칼라(20X30X08) | | | | 1 | | |
| 408 | 7 | V7051400950 | C형멈춤링(구멍용) | Ø95 | | | 1 | | |
| 408 | 8 | 16702212030 | 플레이트 ASSY | | | | 1 | | |
| 408 | 9 | 14722212040 | 스프링 | | | | 4 | | |
| 408 | 10 | 16342212050 | 클러치 플레이트 | | | | 6 | | |
| 408 | 11 | 15642212050 | 클러치 디스크 | | | | 5 | | |
| 408 | 12 | 15642212060 | 리턴 플레이트 | | | | 1 | | |
| 408 | 13 | 14722212070 | 디스크(브레이크) | | | | 1 | | |
| 408 | 14 | 15642212090 | 실링 (C) | | | | 1 | | |
| 408 | 15 | 14722212020 | 피스톤 | | | | 1 | | |
| 408 | 16 | 14722212090 | 링(피스톤) | | | | 1 | | |
| 408 | 17 | 14722212010 | 케이스 | | | | 1 | | |
| 408 | 18 | 14462162180 | 실링 (B) | | | | 2 | | |
| 408 | 19 | V7051400470 | C형멈춤링(구멍용) | Ø47 | | | 1 | | |
| | | | | | | | | | |
| | | | | | | | | | |
| | | | | | | | | | |
| | | | | | | | | | |
| | | | | | | | | | |
| | | | | | | | | | |
| | | | | | | | | | |
| | | | | | | | | | |
| | | | | | | | | | |
| | | | | | | | | | |
| | | | | | | | | | |
| | | | | | | | | | |
| | | | | | | | | | |
| | | | | | | | | | |
| | | | | | | | | | |
| | | | | | | | | | |
| | | | | | | | | | |
| | | | | | | | | | |
| | | | | | | | | | |
| | | | | | | | | | |
| | | | | | | | | | |
| | | | | | | | | | |
| | | | | | | | | | |
| | | | | | | | | | |
| | | | | | | | | | |
| | | | | | | | | | |
| | | | | | | | | | |
| | | | | | | | | | |
| | | | | | | | | | |
| NOTE | | | | | | | | | |

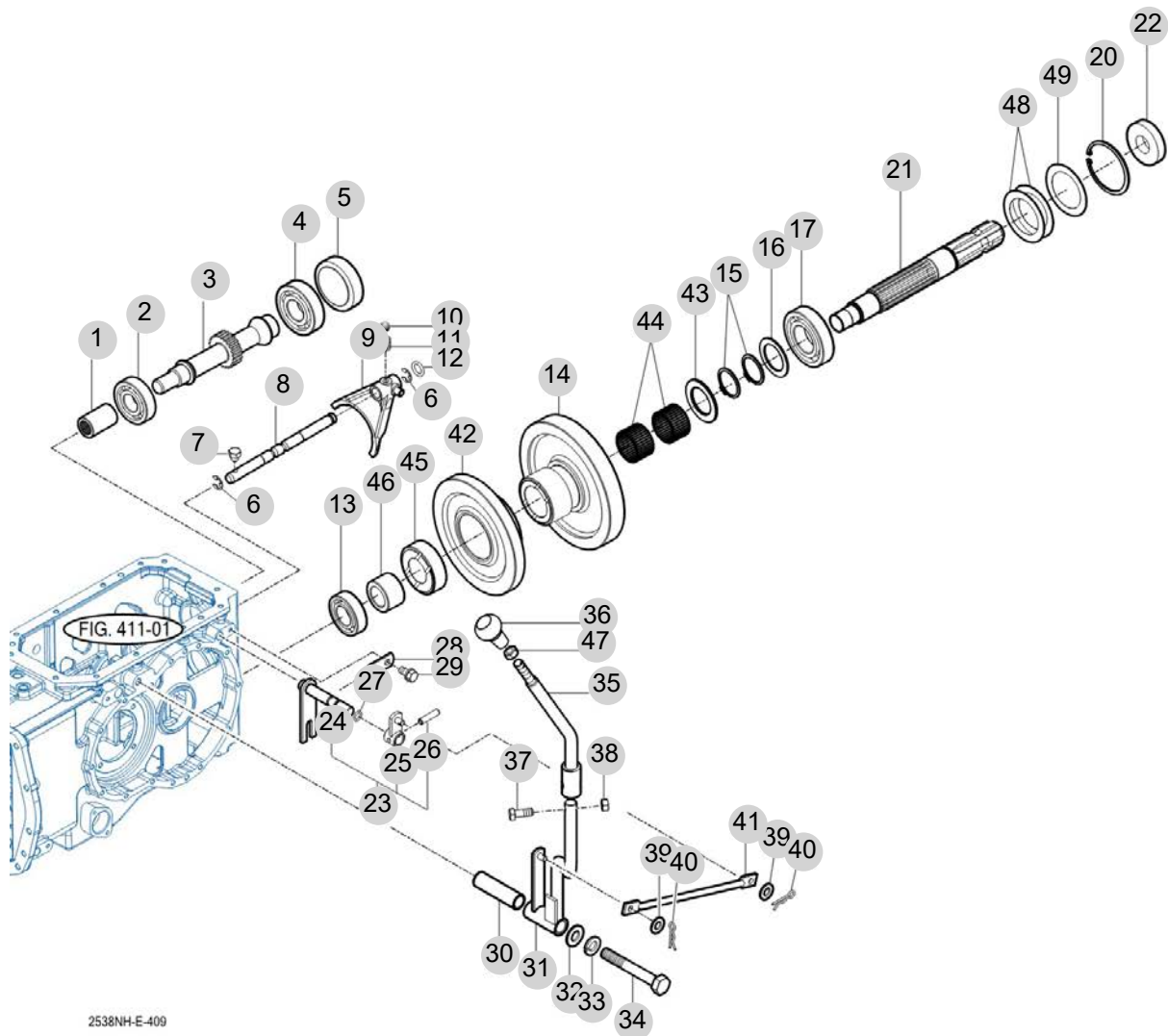
FIG 409

PTO CHANGE GEARS

년/월
Year/Month

2022-12

T395NHEU



2538NH-E-409

NOTE

| FIG 409 | | PTO CHANGE GEARS | | | | | 년/월 Year/Month | | |
|----------|----|------------------|----------------|-------------|------|-----|-------------------|----------------|---------|
| | | | | | | | 2022-12 | | |
| T395NHEU | | KEY NO | PART NO | DESCRIPTION | SPEC | QTY | REPAIR | EFFECTIVE DATE | REMARKS |
| 409 | 1 | 14211340190 | 커플링 | | | 1 | | | |
| 409 | 2 | V6001106305 | 볼베어링 | 6305 | | 1 | | | |
| 409 | 3 | 12352543530 | PTO 카운트 축 | | | 1 | | | |
| 409 | 4 | V6001106306 | 볼베어링 | 6306 | | 1 | | | |
| 409 | 5 | 14254330180 | 캡(72) | | | 1 | | | |
| 409 | 6 | V7081400100 | E형멈춤링 | Ø10 | | 2 | | | |
| 409 | 7 | 15602231610 | 볼트(셋트/M8X16) | | | 1 | | | |
| 409 | 8 | 12382540020 | PTO 스테이 | | | 1 | | | |
| 409 | 9 | 16702540011M | 포크(PTO) | | | 1 | | | |
| 409 | 10 | V6802000010 | 강구 | 5/16 | | 1 | | | |
| 409 | 11 | 13022250030 | 시프터스프링 | | | 1 | | | |
| 409 | 12 | V7201024010 | O링(P) | P10 | | 1 | | | |
| 409 | 13 | V6001106205 | 볼베어링 | 6205 | | 1 | | | |
| 409 | 14 | 12352530020 | PTO 기어(54) | | | 1 | | | |
| 409 | 15 | V7041400350 | C형멈춤링(축용) | Ø35 | | 2 | | | |
| 409 | 16 | 14443140041 | 칼라(35X50X2) | | | 1 | | | |
| 409 | 17 | V6001106207 | 볼베어링 | 6207 | | 1 | | | |
| 409 | 20 | V7051400720 | C형멈춤링(구멍용) | Ø72 | | 1 | | | |
| 409 | 21 | 12382530010 | PTO 샤프트 | | | 1 | | | |
| 409 | 22 | 16322732000 | 씰(오일) ASSY | | | 1 | | | |
| 409 | 23 | 16702555102 | 리어 PTO 후크 SET | | | 1 | | | |
| 409 | 24 | 16702542102 | 리어 PTO 후크 COMP | | | 1 | | | |
| 409 | 25 | 16702432201 | 암(부변속) COMP | | | 1 | | | |
| 409 | 26 | V5801406025 | 스프링핀 | 6X25 | | 1 | | | |
| 409 | 27 | V7201024012 | O링(P) | P12 | | 1 | | | |
| 409 | 28 | 16702230371 | 플레이트 | | | 1 | | | |
| 409 | 29 | V2173608016 | 소형육각볼트보통(S) | M8X16 | | 1 | | | |
| 409 | 30 | 16702440070 | 허브(13X17X61) | | | 1 | | | |
| 409 | 31 | 16702552103 | PTO 레버 ,하 COMP | | | 1 | | | |
| 409 | 32 | V4111600120 | 평와셔 | M12 | | 1 | | | |
| 409 | 33 | V4011600120 | 스프링와셔 | M12 | | 1 | | | |
| 409 | 34 | V2013612085 | 소형육각볼트(보통) | M12X85 | | 1 | | | |
| 409 | 35 | 16702552202GB | PTO레버(상)COMP | | | 1 | | | |
| 409 | 36 | 16992190102 | 그립(PTO) | | | 1 | | | |
| 409 | 36 | 19682190100 | 그립(PTO) | | | 1 | | | |
| 409 | 37 | V2013608035 | 소형육각볼트(보통) | M8X35 | | 1 | | | |
| 409 | 38 | V3042600080 | 소형육각너트보통2종 | M8 | | 1 | | | |
| 409 | 39 | V4111600080 | 평와셔 | M8 | | 2 | | | |
| 409 | 40 | V5601600008 | 스냅핀 | 8 | | 2 | | | |
| 409 | 41 | 16702553100 | 로드(236) | | | 1 | | | |
| 409 | 42 | 12382530030 | 스퍼 기어(41) | | | 1 | | | |
| 409 | 43 | 15642730082 | 와셔(35X55X03) | D=55 | | 1 | | | |
| 409 | 44 | V6544354026 | 니들베어링(케이지) | | | 2 | | | |
| 409 | 45 | 15642730052 | 허브(35X62X20) | | | 1 | | | |
| 409 | 46 | 12382530040 | 와셔(25X40X26) | D=40 | | 1 | | | |
| NOTE | | | | | | | | | |

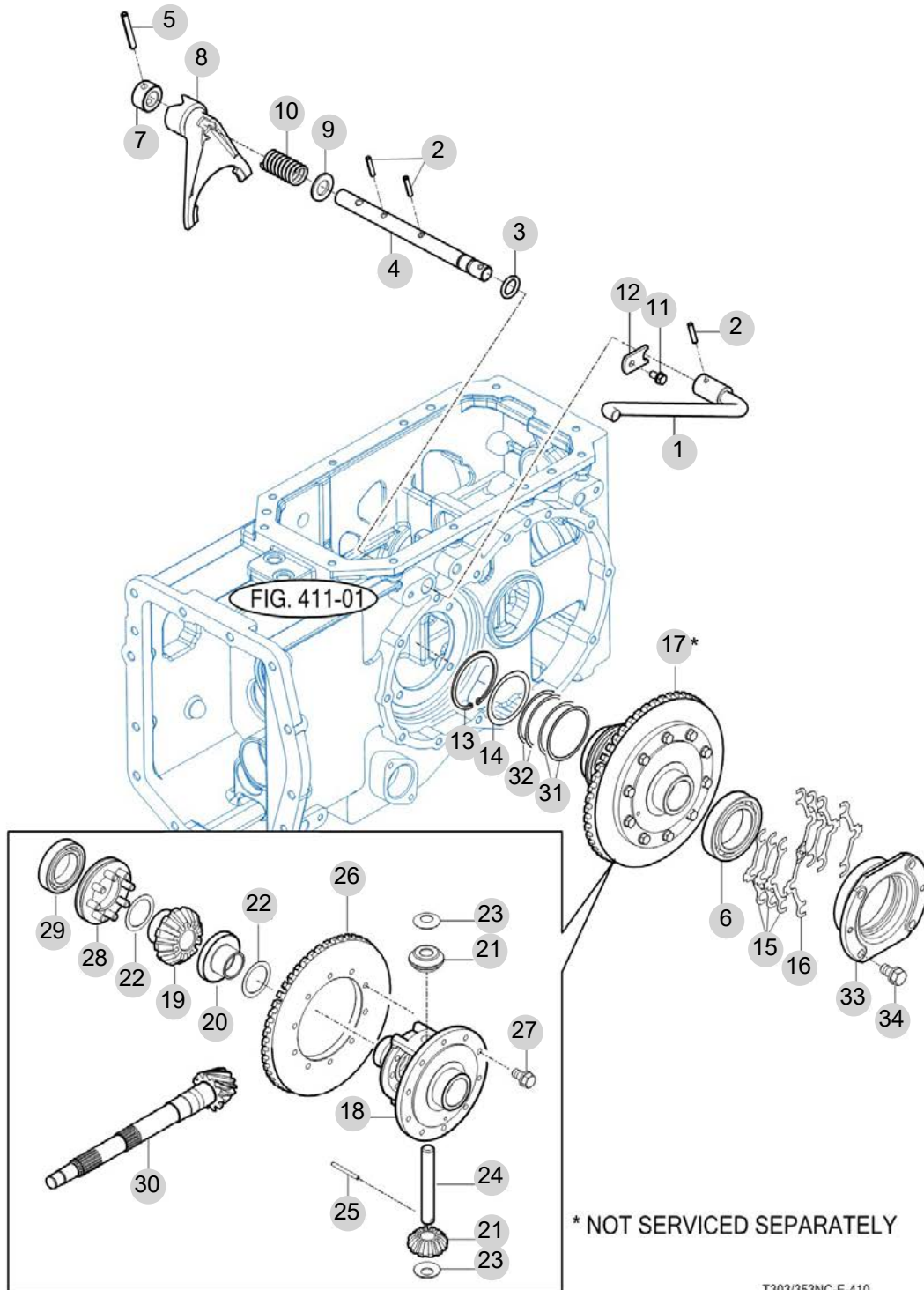
FIG 410

DIFF LOCK

년/월
Year/Month

T395NHEU

2022-12



T303/353NC-E-410

NOTE

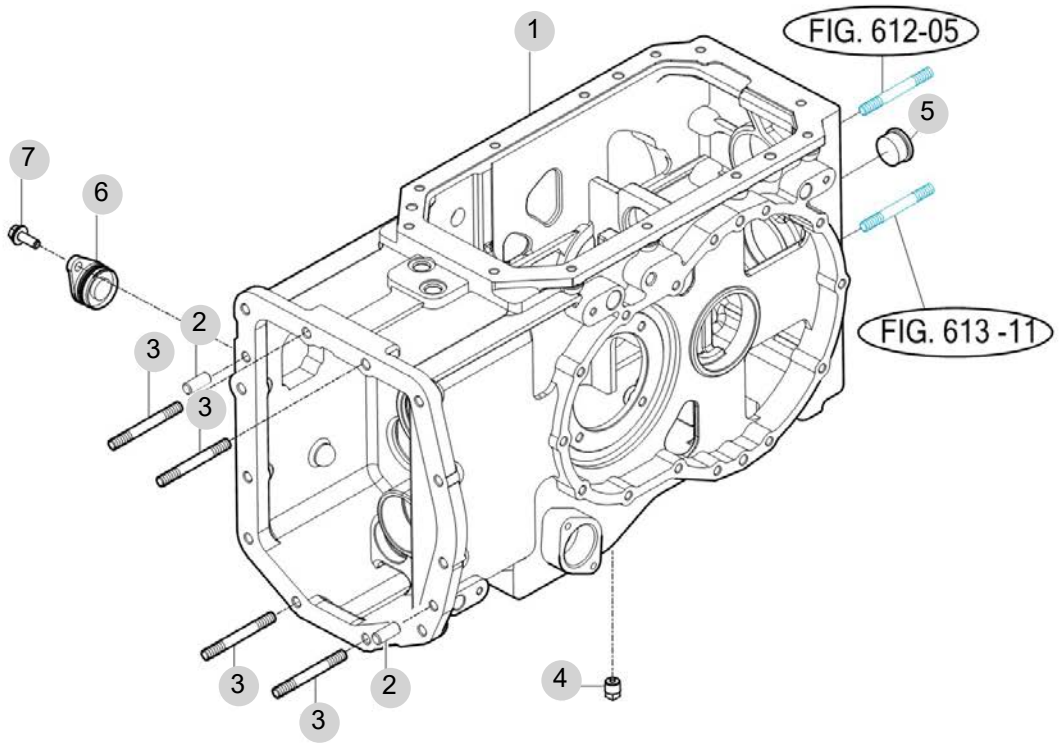
FIG 411

T395NHEU

TRANSMISSION REAR CASE

년/월
Year/Month

2022-12



T394NH-E-411

NOTE

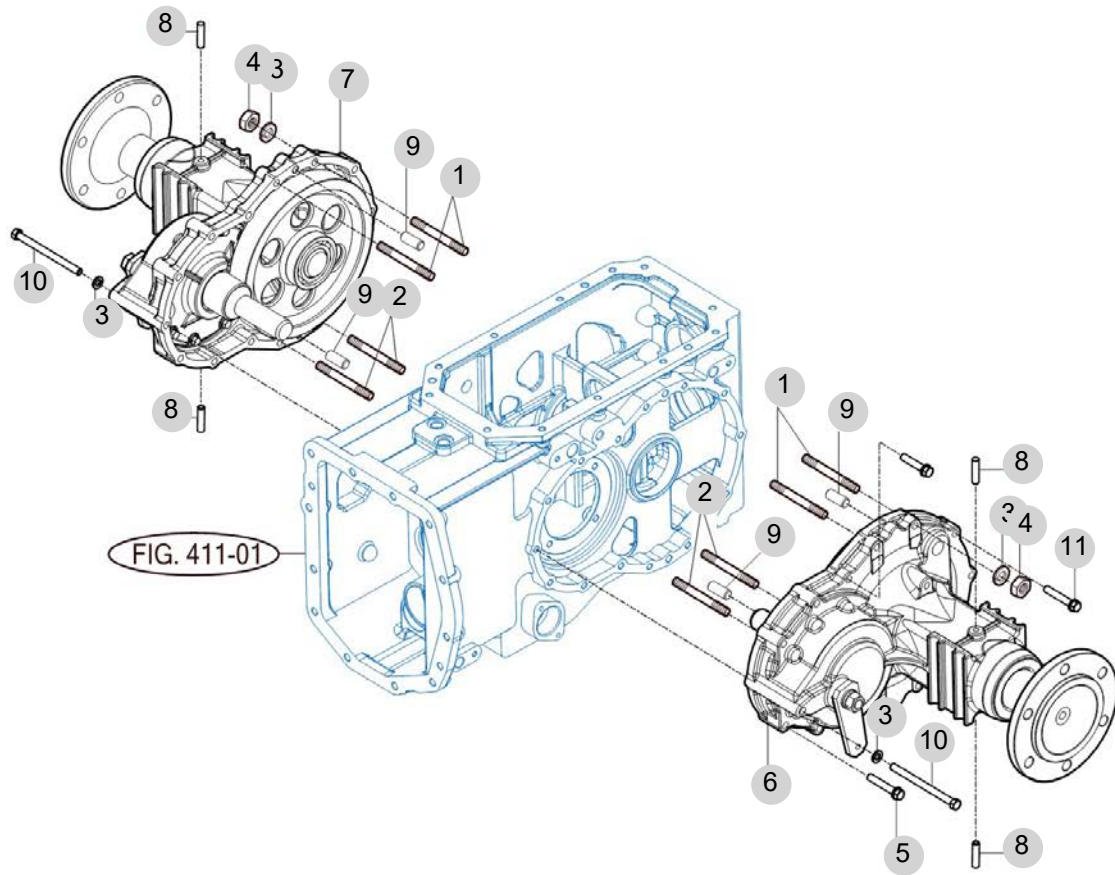
FIG 412

T395NHEU

REAR AXLE HOUSINGS (1)

년/월
Year/Month

2022-12



2538NH-E-412

NOTE

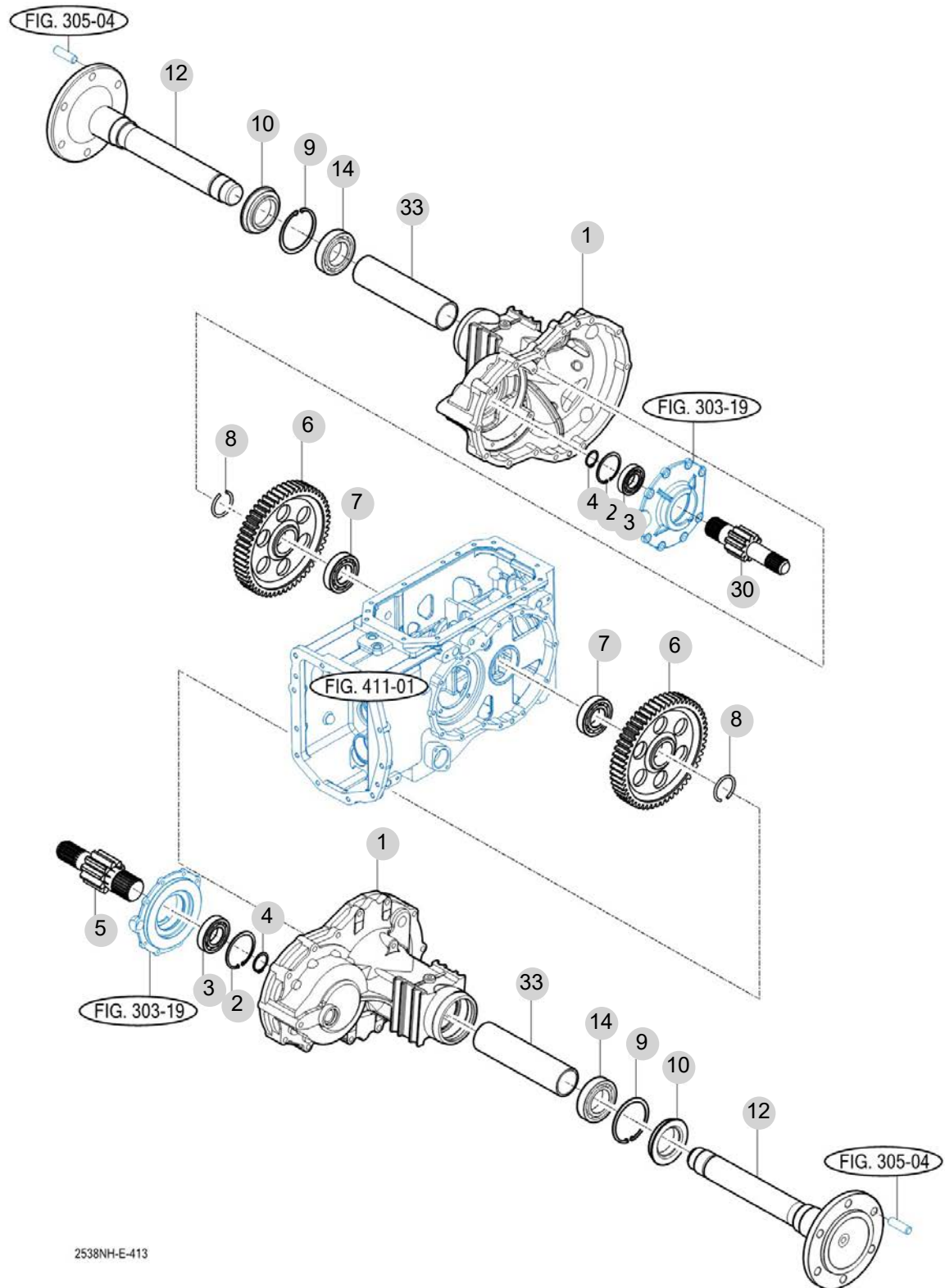
FIG 413

T395NHEU

REAR AXLE HOUSINGS (2)

년/월
Year/Month

2022-12



2538NH-E-413

NOTE

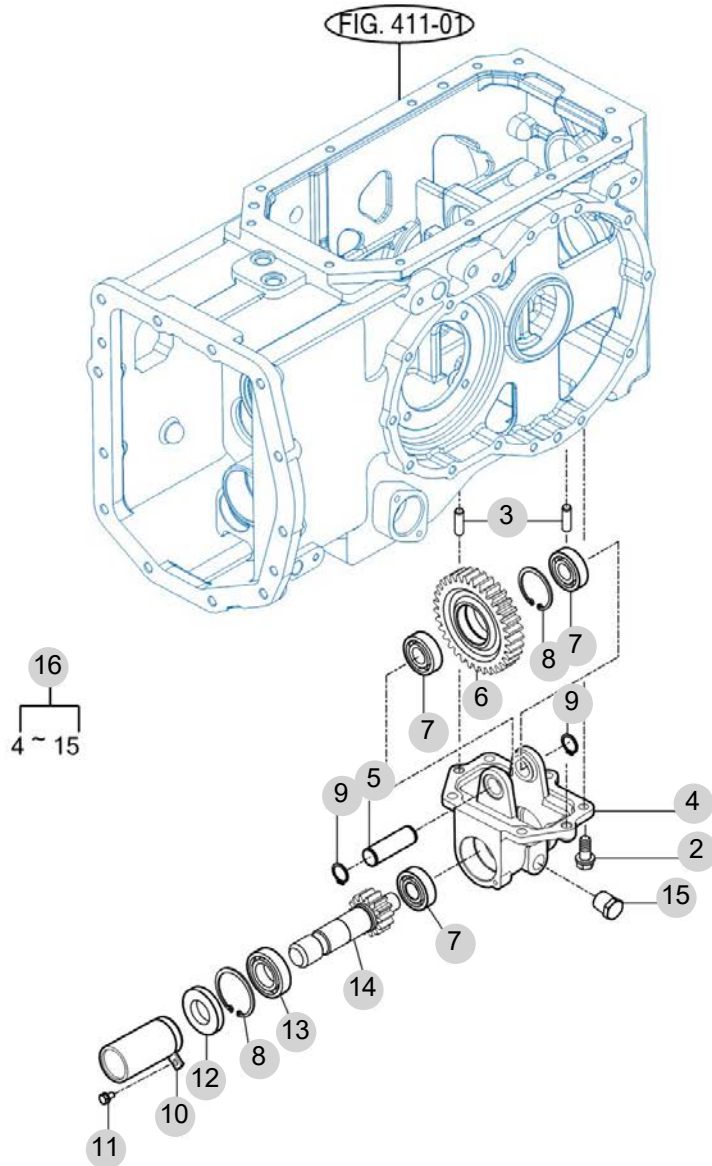
FIG 414

MID P.T.O GEARS

년/월
Year/Month

2022-12

T395NHEU



393NH-E-414

NOTE

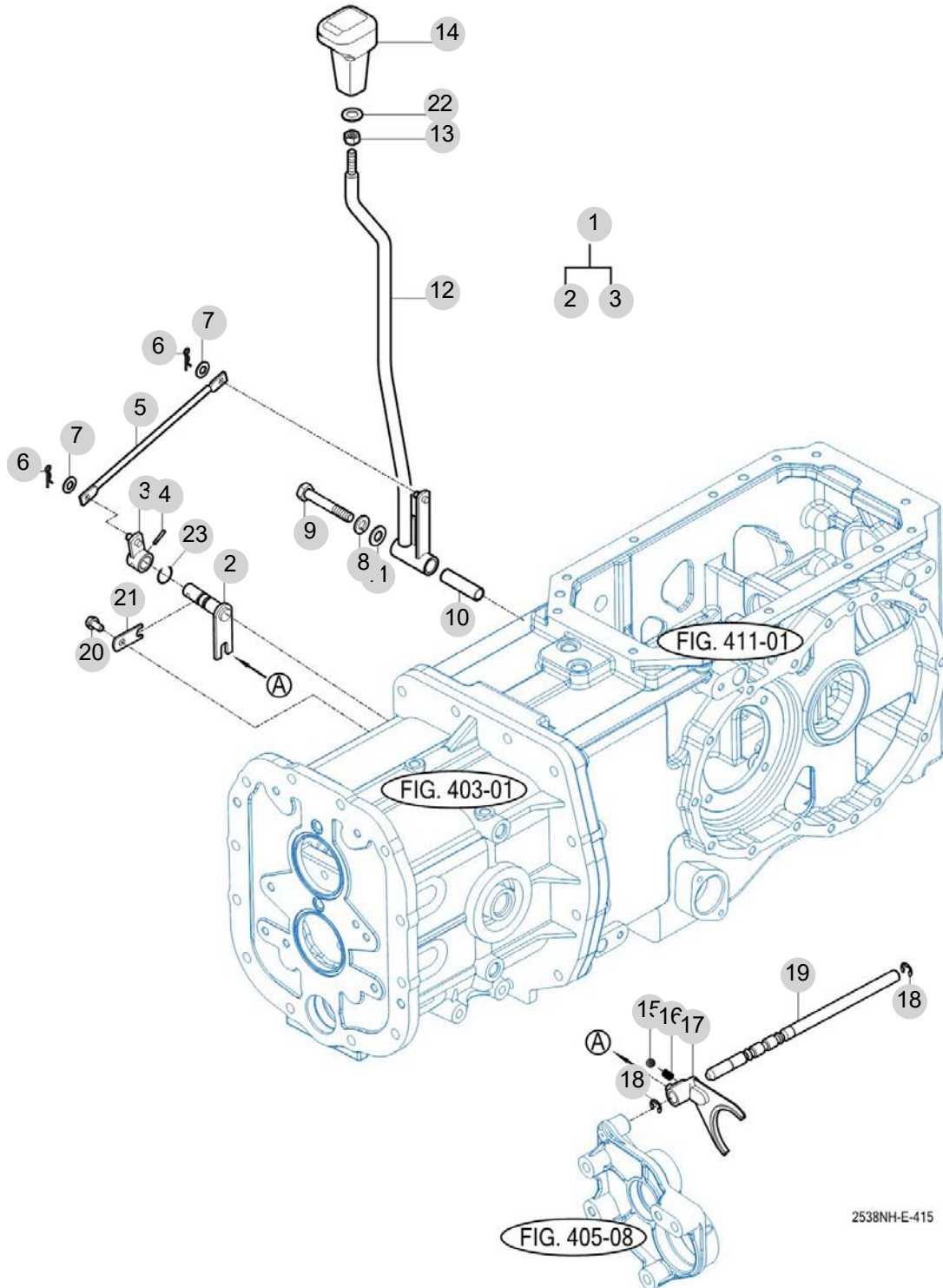
FIG 415

SUB CHANGE LEVER

년/월
Year/Month

2022-12

T395NHEU



NOTE

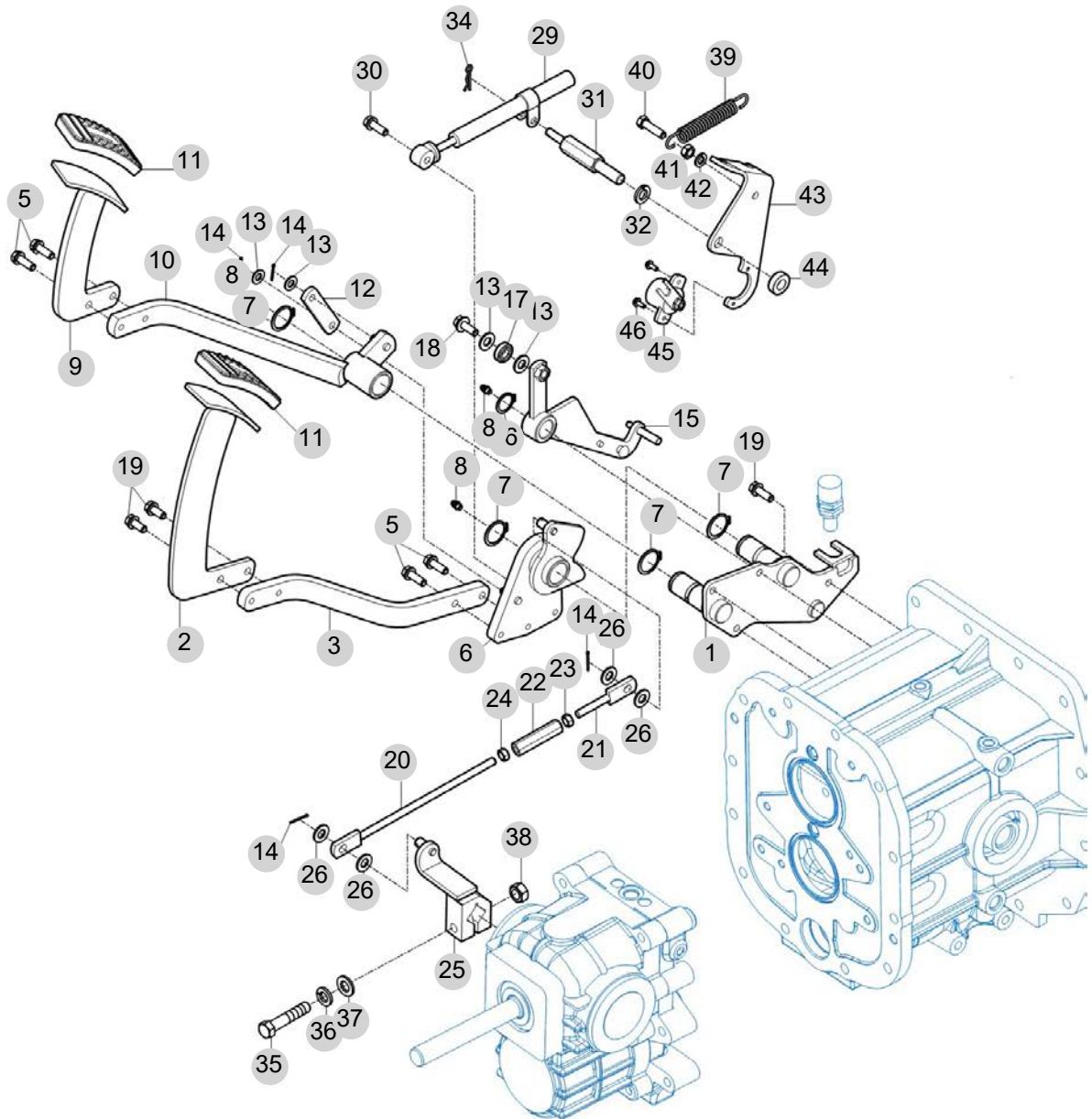
FIG 416

FORWARD & REVERSE CONTROL LINKAGE

년/월
Year/Month

2022-12

T395NHEU



NOTE

| FIG 416 T395NHEU | | FORWARD & REVERSE CONTROL LINKAGE | | | | | | 년/월 Year/Month |
|---------------------|---------|-----------------------------------|-----------------|--------|--------|----------------|---------|-------------------|
| | | | | | | | | 2022-12 |
| KEY NO | PART NO | DESCRIPTION | SPEC | QTY | REPAIR | EFFECTIVE DATE | REMARKS | |
| 416 | 1 | 12382313201 | HST 페달 브래킷 COMP | | 1 | | | |
| 416 | 2 | 14722312703GB | 페달(전진) COMP | | 1 | | | |
| 416 | 3 | 14722310052 | 전진 플레이트 | | 1 | | | |
| 416 | 5 | V2173608025 | 소형육각볼트보통(S) | M8X25 | 4 | | | |
| 416 | 6 | 12382312300 | 전진 암 COMP | | 1 | | | |
| 416 | 7 | V7041400250 | C형멈춤링(축용) | 25 | 4 | | | |
| 416 | 8 | V7601500000 | 그리스니플(A-M6F) | | 3 | | | |
| 416 | 9 | 14722312802GB | 페달(후진) COMP | | 1 | | | |
| 416 | 10 | 14722312603 | 암(후진) COMP | | 1 | | | |
| 416 | 11 | 14722312730 | 패드 | | 2 | | | |
| 416 | 12 | 14722310023 | 플레이트(후진) | | 1 | | | |
| 416 | 13 | V4111600080 | 평와서 | M8 | 4 | | | |
| 416 | 14 | V5001920020 | 분할핀 | 2X20 | 4 | | | |
| 416 | 15 | 10532312600 | | | 1 | | | |
| 416 | 15 | 10532312601 | 캠 팔로어 암 COMP | | 1 | | | |
| 416 | 16 | V7041400200 | C형멈춤링(축용) | | 1 | | | |
| 416 | 17 | 14722310060 | 볼베어링(608DD) | | 1 | | | |
| 416 | 18 | V2183608025 | 소형육각볼트보통(SP) | M8X25 | 1 | | | |
| 416 | 19 | V2173608025 | 소형육각볼트보통(S) | M8X25 | 6 | | | |
| 416 | 20 | 12382325100 | 로드 COMP(LH) | | 1 | | | |
| 416 | 21 | 11102325200 | 로드 COMP(RH) | | 1 | | | |
| 416 | 22 | 16601220020 | 터언버클(M8,60) | | 1 | | | |
| 416 | 23 | V3042600080 | 소형육각너트보통2종 | M8 | 1 | | | |
| 416 | 24 | 15601320073 | 육각너트(SM,LH,M8) | | 1 | | | |
| 416 | 25 | 12382312101 | 홀더 브래킷 COMP | | 1 | | | |
| 416 | 26 | V4111600100 | 평와서 | M10 | 4 | | | |
| 416 | 29 | 14722312401 | 오일 댐퍼 | | 1 | | | |
| 416 | 30 | V2183608035 | 소형육각볼트보통(SP) | M8X35 | 1 | | | |
| 416 | 31 | 10532310090 | 오일 댐퍼 핀 | | 1 | | | |
| 416 | 32 | V4011600120 | 스프링와셔 | M12 | 1 | | | |
| 416 | 34 | V5601600008 | 스냅핀 | | 1 | | | |
| 416 | 35 | V2173610055 | 소형육각볼트보통(S) | M10X55 | 1 | | | |
| 416 | 36 | V4011600100 | 스프링와셔 | M10 | 1 | | | |
| 416 | 37 | V4111600100 | 평와서 | M10 | 1 | | | |
| 416 | 38 | V3043600100 | 소형육각너트보통2종 | M10 | 1 | | | |
| 416 | 39 | 14722310033 | 스프링(리턴) | | 1 | | | |
| 416 | 40 | V2013608035 | 소형육각볼트(보통) | M8X35 | 1 | | | |
| 416 | 41 | V3042600080 | 소형육각너트보통2종 | M8 | 1 | | | |
| 416 | 42 | V4011600080 | 스프링와셔 | | 1 | | | |
| 416 | 43 | 10531163810 | 브래킷, P | | 1 | | | |
| 416 | 44 | 10532310080 | 칼라, 12X24X8 | | 1 | | | |
| 416 | 45 | 14545300020 | 포텐셔미터 ASSY | | 1 | | | |
| 416 | 46 | V1222604012 | 심자흡냄비작은나사(SP) | M4X12 | 2 | | | |
| | | | | | | | | |
| NOTE | | | | | | | | |

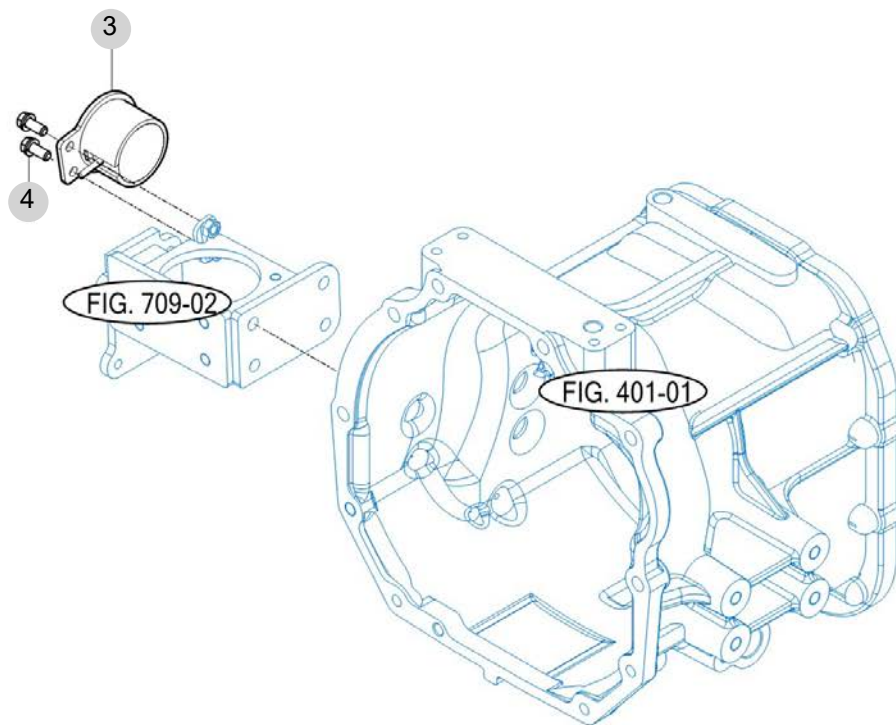
FIG 417

T395NHEU

CRUISE CONTROL

년/월
Year/Month

2022-12



NOTE

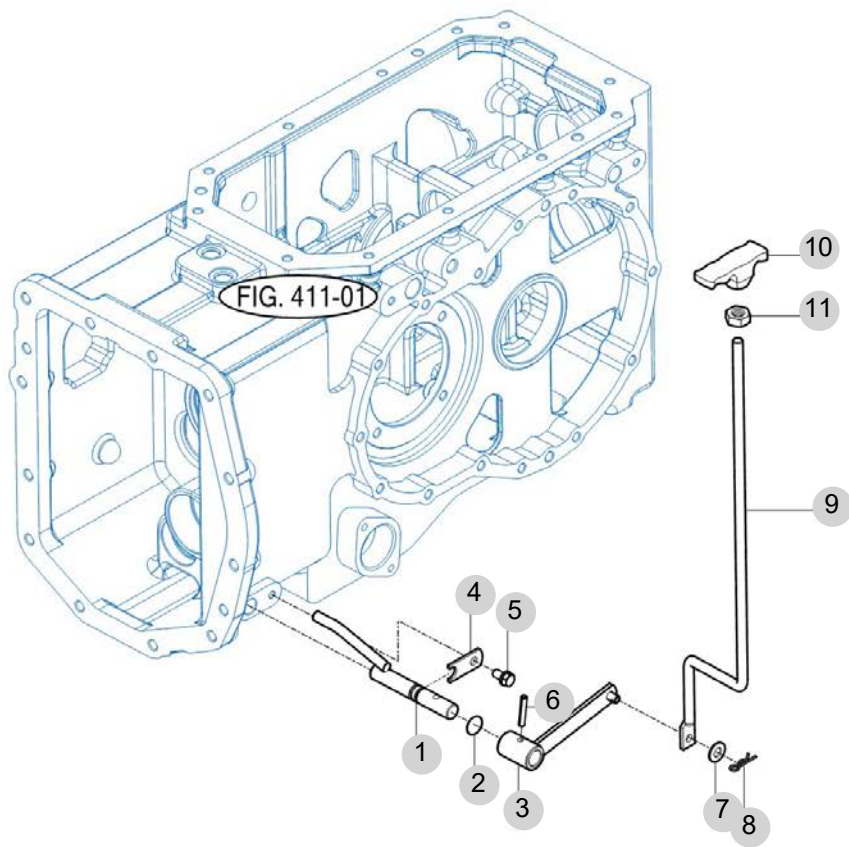
FIG 418

4WD CHANGE LEVER

년/월
Year/Month

T395NHEU

2022-12



2538NH-K-418

NOTE

5. 프런트 액슬 PART NO. T5

| | |
|----------------------------------|-----|
| FIG 501 FRONT AXLE BRACKET | 113 |
| FIG 502 FRONT DIFFERENTIAL GEARS | 115 |
| FIG 503 FRONT AXLE HOUSING | 117 |
| FIG 504 FRONT GEAR CASE (1) | 119 |
| FIG 505 FRONT GEAR CASE (2) | 121 |

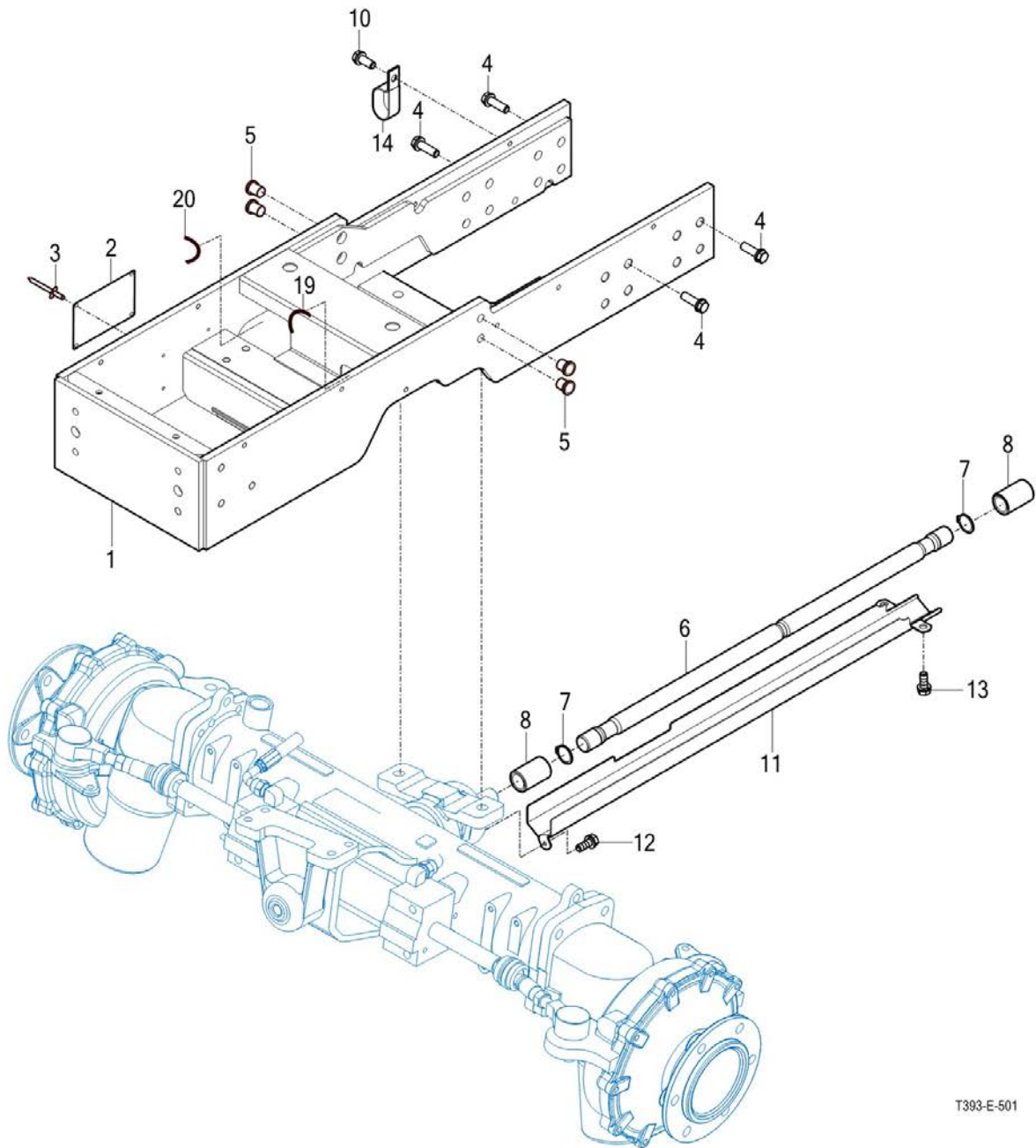
FIG 501

FRONT AXLE BRACKET

년/월
Year/Month

2022-12

T395NHEU



T393-E-501

NOTE

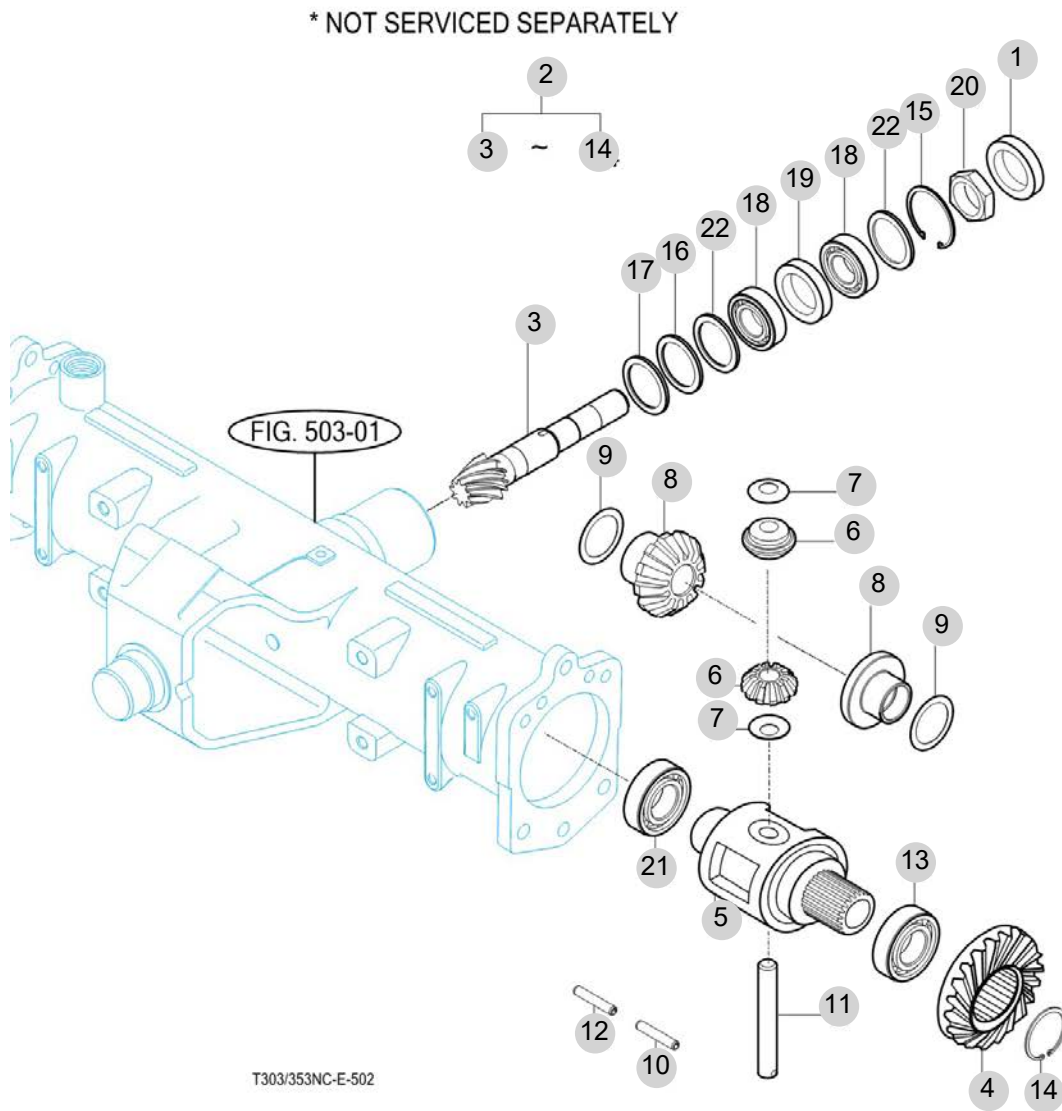
FIG 502

T395NHEU

FRONT DIFFERENTIAL GEARS

년/월
Year/Month

2022-12



NOTE

| FIG 502 T395NHEU | | FRONT DIFFERENTIAL GEARS | | | | | 년/월 Year/Month |
|---------------------|---------|--------------------------|---------------|---------|--------|----------------|-------------------|
| | | | | | | | 2022-12 |
| KEY NO | PART NO | DESCRIPTION | SPEC | QTY | REPAIR | EFFECTIVE DATE | REMARKS |
| 502 | 1 | V7441256210 | 오일실(D) | D256210 | 1 | | |
| 502 | 2 | 16704112002 | 디프렌셜시스템(완)(전) | | 1 | | |
| 502 | 2 | 16704112002 | 디프렌셜시스템(완)(전) | | 1 | | |
| 502 | 3 | 16704112011 | 베벨피니언(8) | | 1 | | |
| 502 | 3 | 16704112010 | 베벨피니언(8) | | 1 | | |
| 502 | 3 | 16704112011 | 베벨피니언(8) | | 1 | | |
| 502 | 3 | 16704112011 | 베벨피니언(8) | | 1 | | |
| 502 | 4 | 16704112111 | 베벨기어(23) | | 1 | | |
| 502 | 4 | 16704112110 | 베벨기어(23) | | 1 | | |
| 502 | 4 | 16704112111 | 베벨기어(23) | | 1 | | |
| 502 | 4 | 16704112111 | 베벨기어(23) | | 1 | | |
| 502 | 5 | 16704310031 | 프런트디프케이스 | | 1 | | |
| 502 | 5 | 16704310031 | 프런트디프케이스 | | 1 | | |
| 502 | 6 | 16704320020 | 차동피니언(12) | | 2 | | |
| 502 | 6 | 16704320020 | 차동피니언(12) | | 2 | | |
| 502 | 7 | 14273010050 | 피니언스ラスト칼라 | | 2 | | |
| 502 | 7 | 14273010050 | 피니언스ラスト칼라 | | 2 | | |
| 502 | 8 | 16704310160 | 차동사이드기어(20) | | 2 | | |
| 502 | 8 | 16704310160 | 차동사이드기어(20) | | 2 | | |
| 502 | 9 | 16704320050 | 스러스트와셔 | | 2 | | |
| 502 | 9 | 16704320050 | 스러스트와셔 | | 2 | | |
| 502 | 10 | V5801405025 | 스프링핀 | 5X25 | 1 | | |
| 502 | 10 | V5801405025 | 스프링핀 | | 1 | | |
| 502 | 11 | 16704110060 | 차동피니언축 | | 1 | | |
| 502 | 11 | 16704110060 | 차동피니언축 | | 1 | | |
| 502 | 12 | V5801403025 | 스프링핀 | 3X25 | 1 | | |
| 502 | 12 | V5801403025 | 스프링핀 | | 1 | | |
| 502 | 13 | V6001106212 | 볼베어링 | 6212 | 1 | | |
| 502 | 13 | V6001106212 | 볼베어링 | | 1 | | |
| 502 | 14 | 17994420060 | C형멈춤링(축용) | | 1 | | |
| 502 | 14 | 17994420060 | C형멈춤링(축용) | | 1 | | |
| 502 | 15 | V7051400620 | C형멈춤링(구멍용) | 62 | 1 | | |
| 502 | 16 | 14254310080 | 심(A) | | 1 | | |
| 502 | 17 | 14152050160 | 심(B) | | 1 | | |
| 502 | 18 | 15024320020 | 원추로울러베어링 | | 2 | | |
| 502 | 19 | 16704112120 | 칼라 | | 1 | | |
| 502 | 20 | 14884110090 | 너트(M30) | | 1 | | |
| 502 | 21 | V6001106211 | 볼베어링 | 6211 | 1 | | |
| 502 | 22 | 16704110121 | 간격심 | | 2 | | |
| | | | | | | | |
| | | | | | | | |
| | | | | | | | |
| | | | | | | | |
| | | | | | | | |
| | | | | | | | |
| | | | | | | | |
| | | | | | | | |
| | | | | | | | |
| | | | | | | | |
| NOTE | | | | | | | |

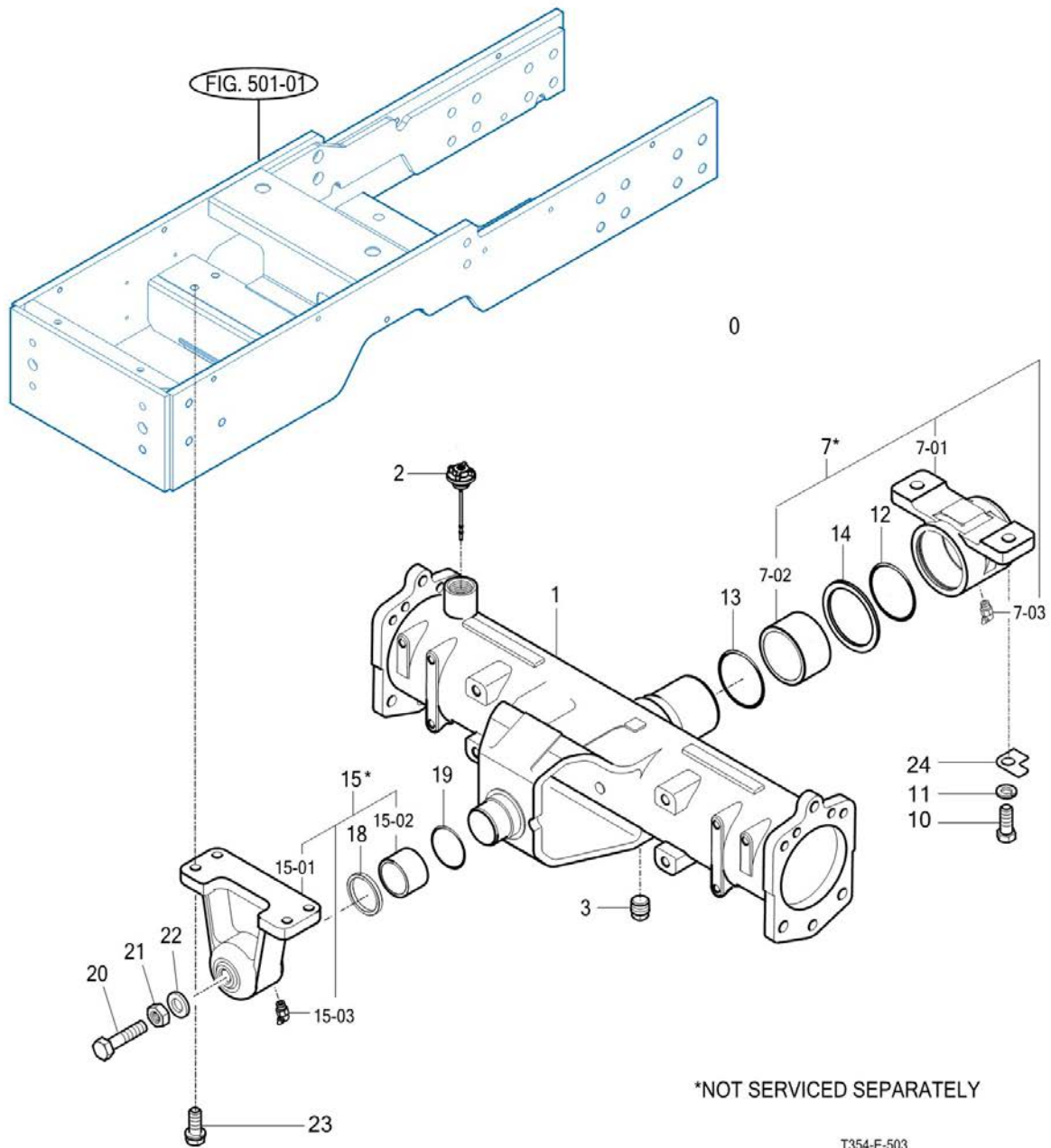
FIG 503

T395NHEU

FRONT AXLE HOUSING

년/월
Year/Month

2022-12



*NOT SERVICED SEPARATELY

T354-E-503

NOTE

| FIG 503 | | FRONT AXLE HOUSING | | | | | 년/월 Year/Month | |
|----------|---------|--------------------|--------------|---------|--------|----------------|-------------------|--|
| | | | | | | | 2022-12 | |
| T395NHEU | | | | | | | | |
| KEY NO | PART NO | DESCRIPTION | SPEC | QTY | REPAIR | EFFECTIVE DATE | REMARKS | |
| 503 | 1 | 14524322000M | 프론트 액슬하우징 | | | 1 | | |
| 503 | 2 | 12394125100 | 오일캡 ASSY | | | 1 | | |
| 503 | 3 | V7811600008 | 플러그(사각테이퍼) | R1/2 | | 1 | | |
| 503 | 7 | 16704362201 | 피벗메탈(R)ASSY | | | 1 | | |
| 503 | 7-01 | 16704362211M | 피벗메탈(R) | | | 1 | | |
| 503 | 7-02 | 16704332220 | 부시(50X55X20) | | | 1 | | |
| 503 | 7-03 | V7631500000 | 그리스니플(B-PT) | B-PT1/8 | | 1 | | |
| 503 | 10 | V2004616050 | 육각볼트(보통) | M16X50 | | 2 | | |
| 503 | 11 | V4011600160 | 스프링와셔 | M16 | | 2 | | |
| 503 | 12 | V7201035040 | O링(P) | P40 | | 1 | | |
| 503 | 13 | V7211031080 | O링(G) | G80 | | 1 | | |
| 503 | 14 | 16704310040 | 스페이스R | | | 1 | | |
| 503 | 15 | 16704332101 | 피벗메탈(F)ASSY | | | 1 | | |
| 503 | 15-01 | 16704332111M | 피벗메탈(F) | | | 1 | | |
| 503 | 15-02 | 16704362221 | 부시(75X80X30) | | | 1 | | |
| 503 | 15-03 | V7631500000 | 그리스니플(B-PT) | B-PT1/8 | | 1 | | |
| 503 | 18 | 16704020020 | 스페이스(F) | | | 1 | | |
| 503 | 19 | V7211031055 | O링(G) | G55 | | 1 | | |
| 503 | 20 | V2014616050 | 소형육각볼트(보통) | M16X50 | | 1 | | |
| 503 | 21 | V3052600160 | 소형육각너트보통3종 | M16 | | 1 | | |
| 503 | 22 | 14444120090 | 씰와셔 | | | 1 | | |
| 503 | 23 | V2173612040 | 소형육각볼트보통(S) | M12X40 | | 4 | | |
| 503 | 24 | 14051060030 | 회전방지와셔 | | | 2 | | |
| | | | | | | | | |
| | | | | | | | | |
| | | | | | | | | |
| | | | | | | | | |
| | | | | | | | | |
| | | | | | | | | |
| | | | | | | | | |
| | | | | | | | | |
| | | | | | | | | |
| | | | | | | | | |
| | | | | | | | | |
| | | | | | | | | |
| | | | | | | | | |
| | | | | | | | | |
| | | | | | | | | |
| | | | | | | | | |
| | | | | | | | | |
| | | | | | | | | |
| | | | | | | | | |
| | | | | | | | | |
| | | | | | | | | |
| | | | | | | | | |
| | | | | | | | | |
| | | | | | | | | |
| | | | | | | | | |
| | | | | | | | | |
| | | | | | | | | |
| | | | | | | | | |
| NOTE | | | | | | | | |

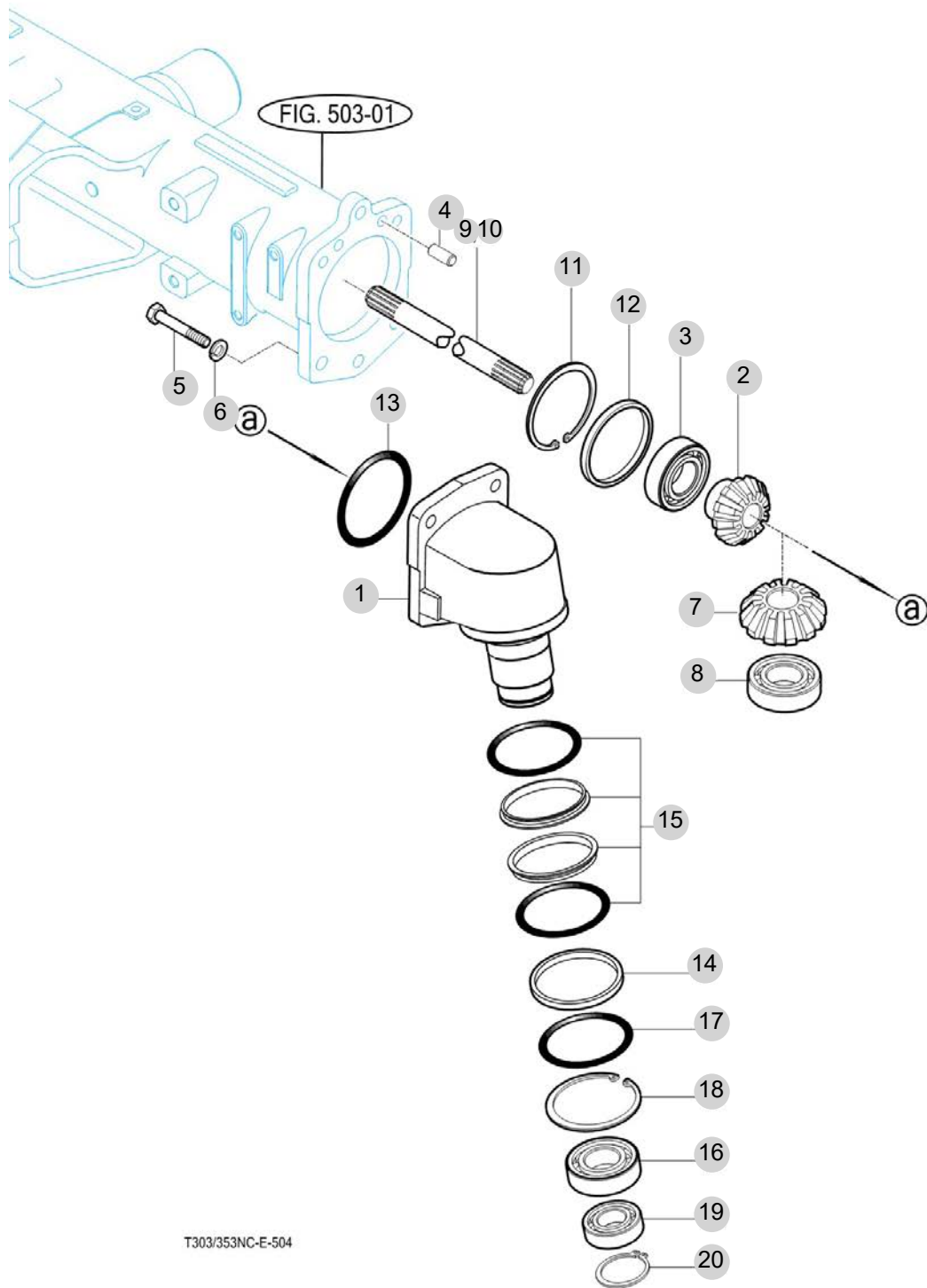
FIG 504

T395NHEU

FRONT GEAR CASE (1)

년/월
Year/Month

2022-12



NOTE

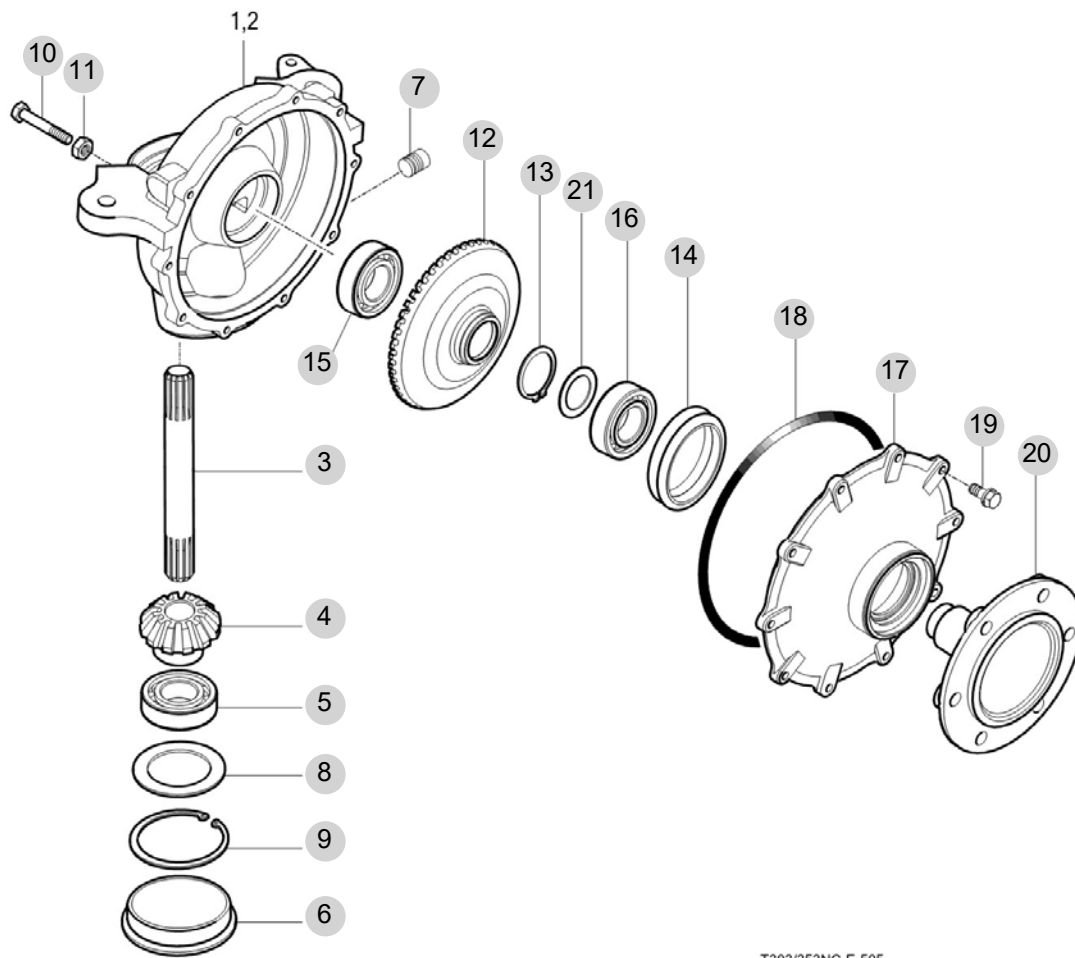
FIG 505

T395NHEU

FRONT GEAR CASE (2)

년/월
Year/Month

2022-12



T303/353NC-E-505

NOTE

6. 유압/3점링크 PART NO. T6

| | |
|-----------------------------|-----|
| FIG 601 GEAR PUMP | 124 |
| FIG 602 CYLINDER CASE | 126 |
| FIG 603 LIFT ARM | 128 |
| FIG 604 CYLINDER | 130 |
| FIG 605 POSITION LINK (1) | 132 |
| FIG 606 POSITION LINK (2) | 134 |
| FIG 607 CONTROL VALVE | 136 |
| FIG 608 POSITION LEVER | 138 |
| FIG 609 HYDRAULIC PIPE (1) | 140 |
| FIG 610 HYDRAULIC PIPE (2) | 142 |
| FIG 611 EXTERIOR HYD. VALVE | 144 |
| FIG 612 3-POINT LINK | 146 |
| FIG 613 HITCH & COVER | 148 |

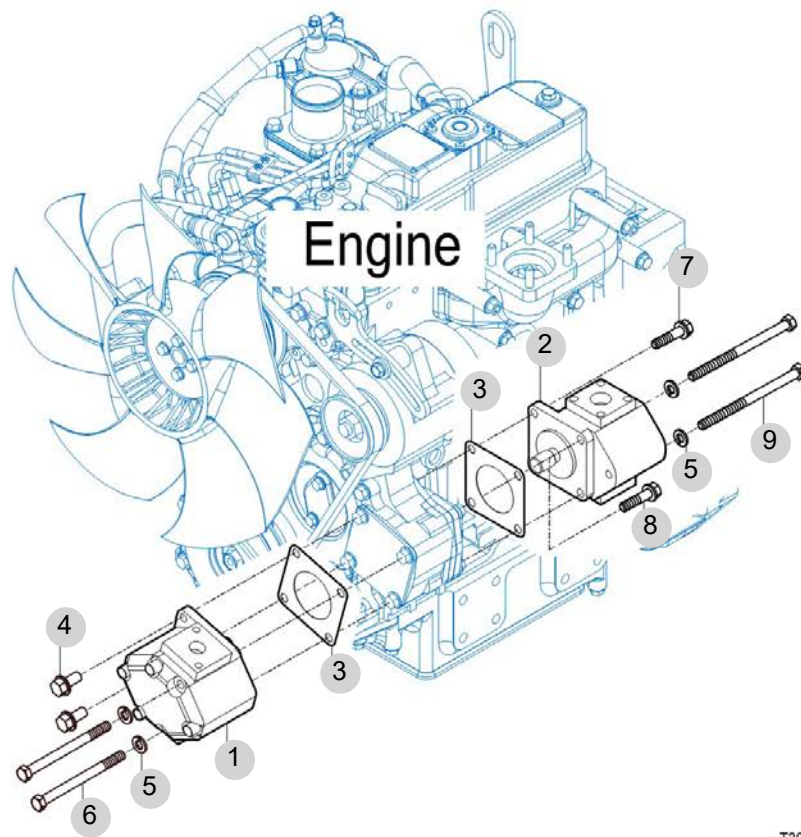
FIG 601

T395NHEU

GEAR PUMP

년/월
Year/Month

2022-12



T393-E-601

NOTE

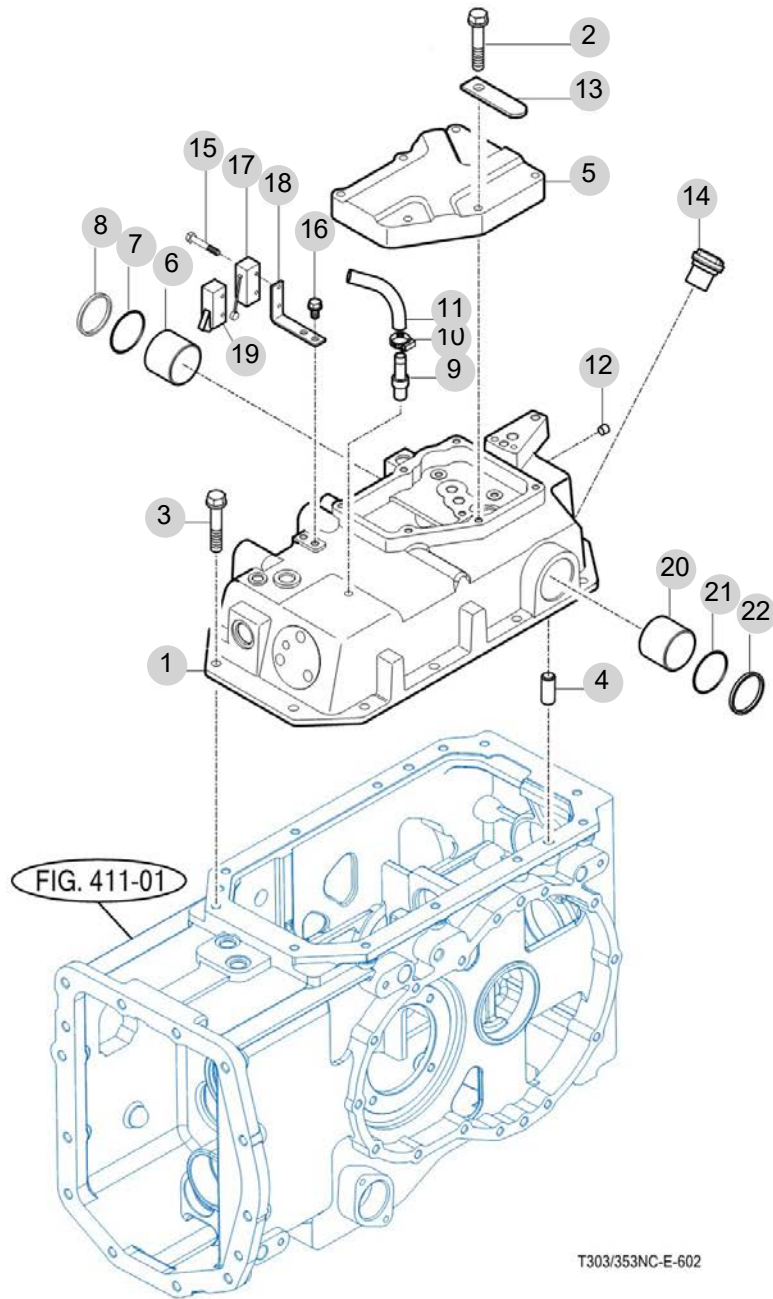
FIG 602

T395NHEU

CYLINDER CASE

년/월
Year/Month

2022-12



NOTE

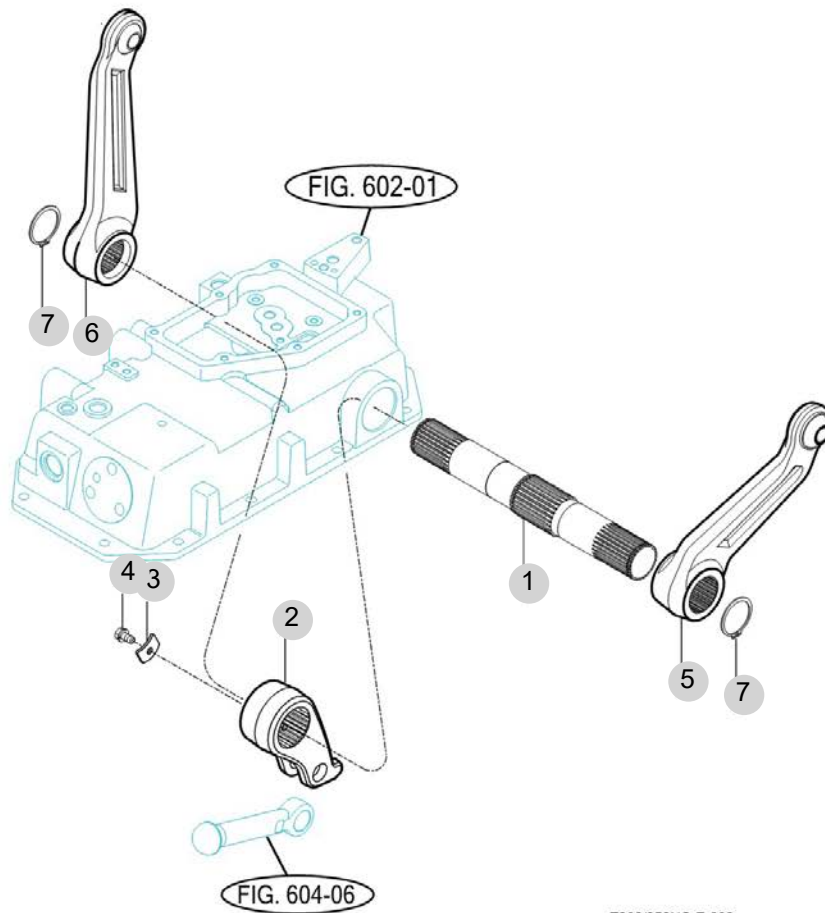
FIG 603

T395NHEU

LIFT ARM

년/월
Year/Month

2022-12



T303/353NC-E-603

NOTE

| FIG 603 T395NHEU | | LIFT ARM | | | | | | 년/월 Year/Month | REMARKS |
|---------------------|---|--------------|-------------|-------|-----|--------|----------------|-------------------|---------|
| | | | | | | | | 2022-12 | |
| KEY NO | | PART NO | DESCRIPTION | SPEC | QTY | REPAIR | EFFECTIVE DATE | | |
| 603 | 1 | 16705020012M | 리프트 샤프트 | | 1 | | | | |
| 603 | 2 | 16705020020M | 크랭크(리프트) | | 1 | | | | |
| 603 | 3 | 17995020030 | 고정판 | | 1 | | | | |
| 603 | 4 | V2173608016 | 소형육각볼트보통(S) | M8X16 | 1 | | | | |
| 603 | 5 | 16705022100M | 암 리프트조합 | | 1 | | | | |
| 603 | 6 | 16705022100M | 암 리프트조합 | | 1 | | | | |
| 603 | 7 | V7041400450 | C형멈춤링(축용) | 45 | 2 | | | | |
| | | | | | | | | | |
| | | | | | | | | | |
| | | | | | | | | | |
| | | | | | | | | | |
| | | | | | | | | | |
| | | | | | | | | | |
| | | | | | | | | | |
| | | | | | | | | | |
| | | | | | | | | | |
| | | | | | | | | | |
| | | | | | | | | | |
| | | | | | | | | | |
| | | | | | | | | | |
| | | | | | | | | | |
| | | | | | | | | | |
| | | | | | | | | | |
| | | | | | | | | | |
| | | | | | | | | | |
| | | | | | | | | | |
| | | | | | | | | | |
| | | | | | | | | | |
| | | | | | | | | | |
| | | | | | | | | | |
| | | | | | | | | | |
| | | | | | | | | | |
| | | | | | | | | | |
| | | | | | | | | | |
| | | | | | | | | | |
| NOTE | | | | | | | | | |

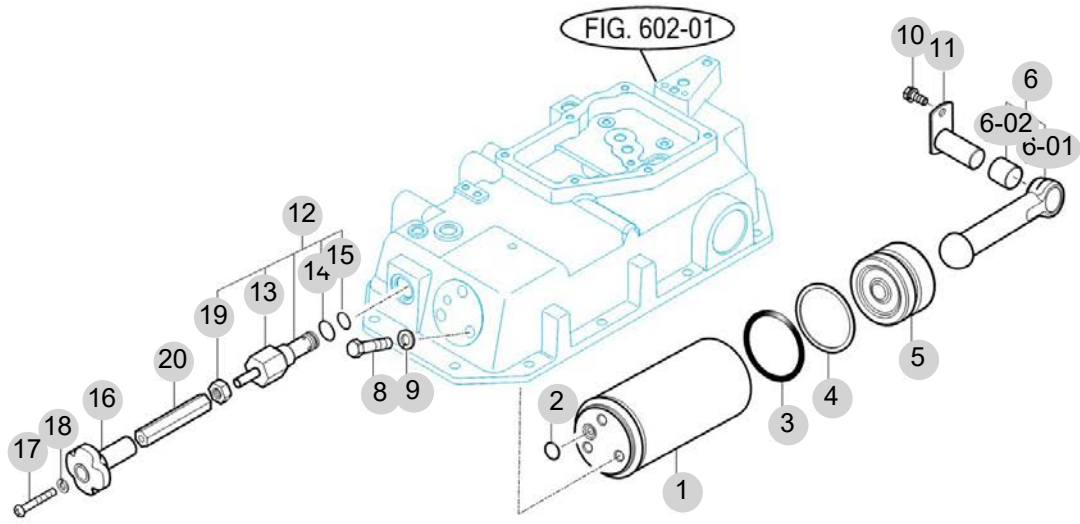
FIG 604

T395NHEU

CYLINDER

년/월
Year/Month

2022-12



T303/353NC-E-604

NOTE

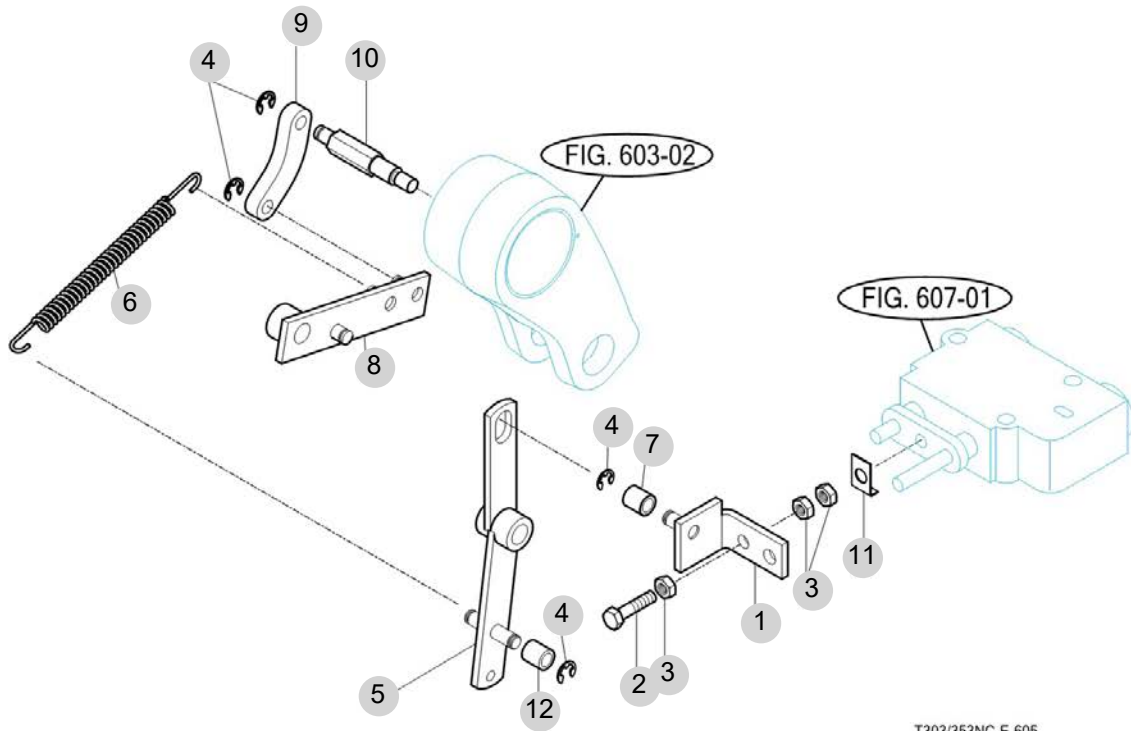
FIG 605

T395NHEU

POSITION LINK (1)

년/월
Year/Month

2022-12



T303/353NC-E-605

NOTE

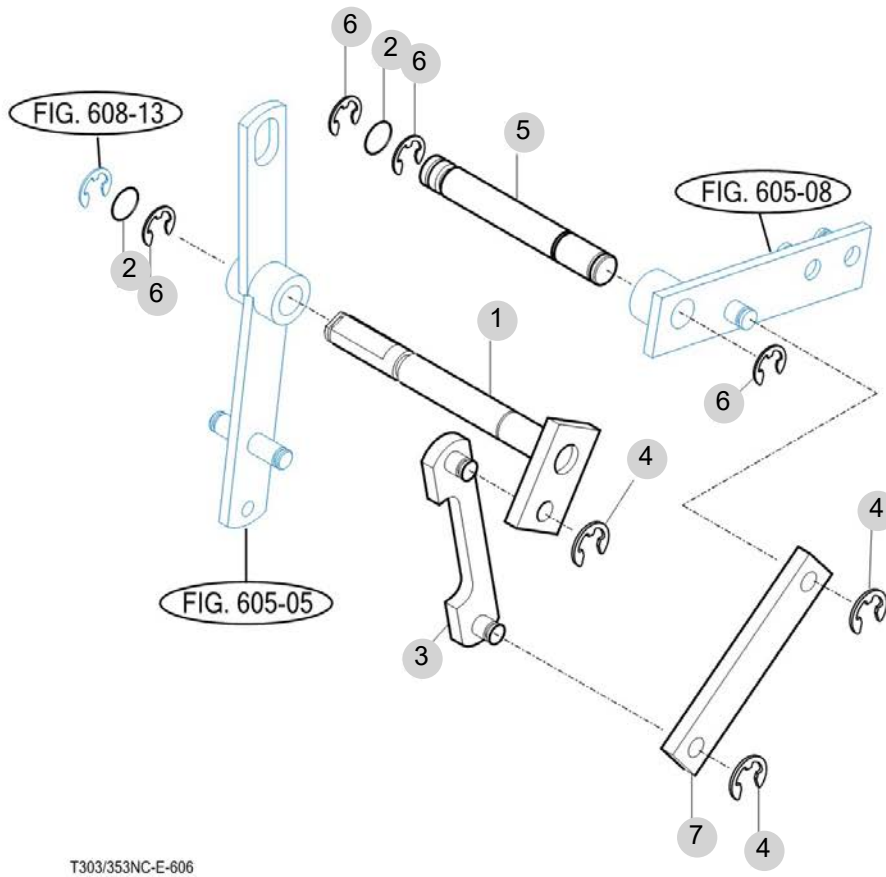
FIG 606

T395NHEU

POSITION LINK (2)

년/월
Year/Month

2022-12



T303/353NC-E-606

NOTE

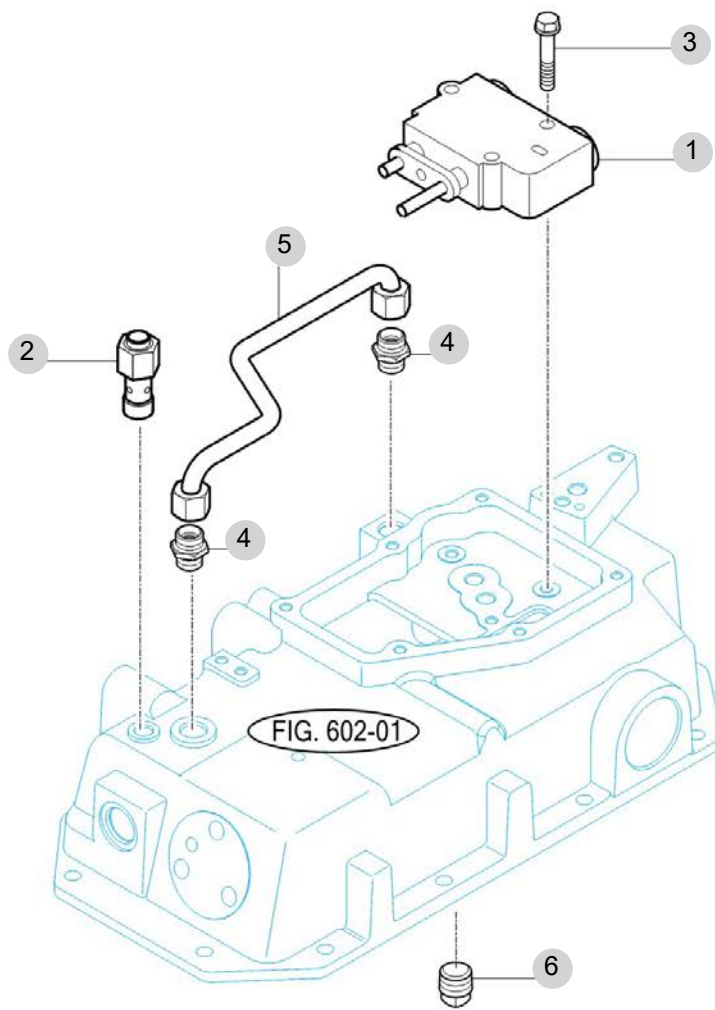
FIG 607

T395NHEU

CONTROL VALVE

년/월
Year/Month

2022-12



T303/353NC-E-607

NOTE

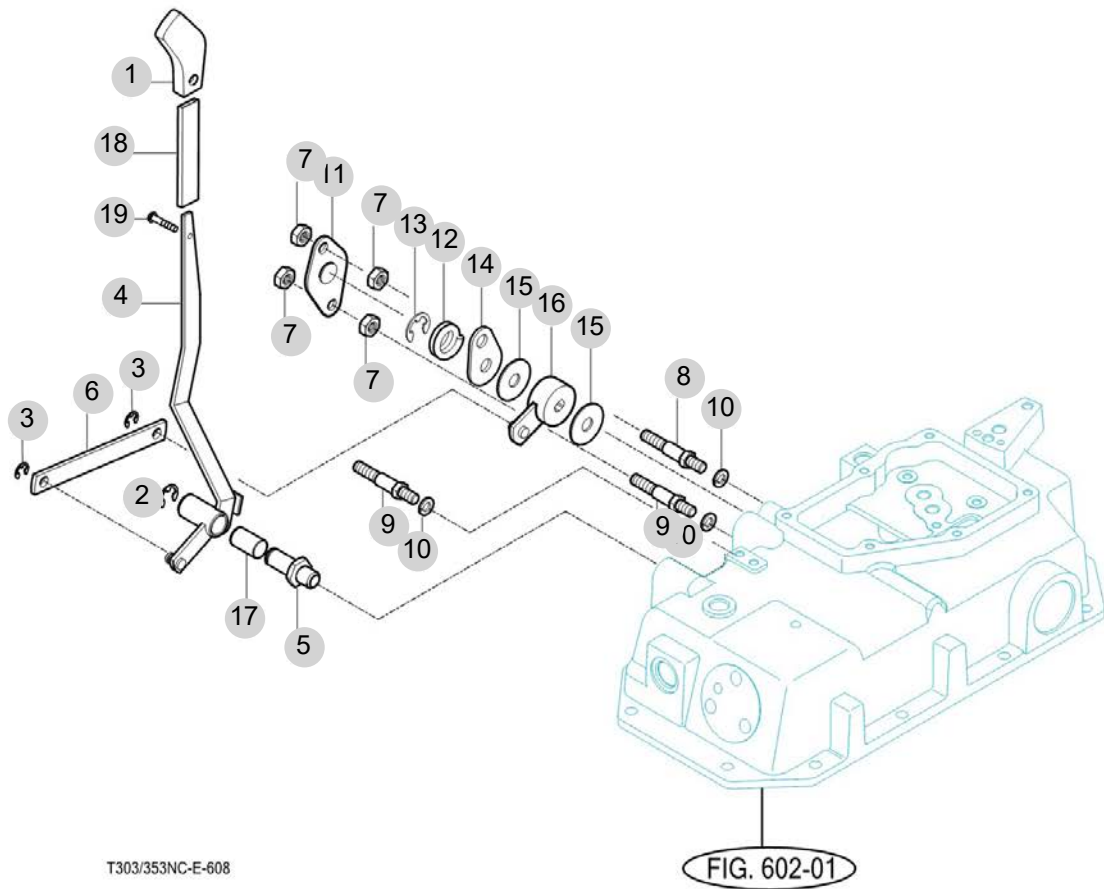
FIG 608

T395NHEU

POSITION LEVER

년/월
Year/Month

2022-12



T303/353NC-E-608

FIG. 602-01

NOTE

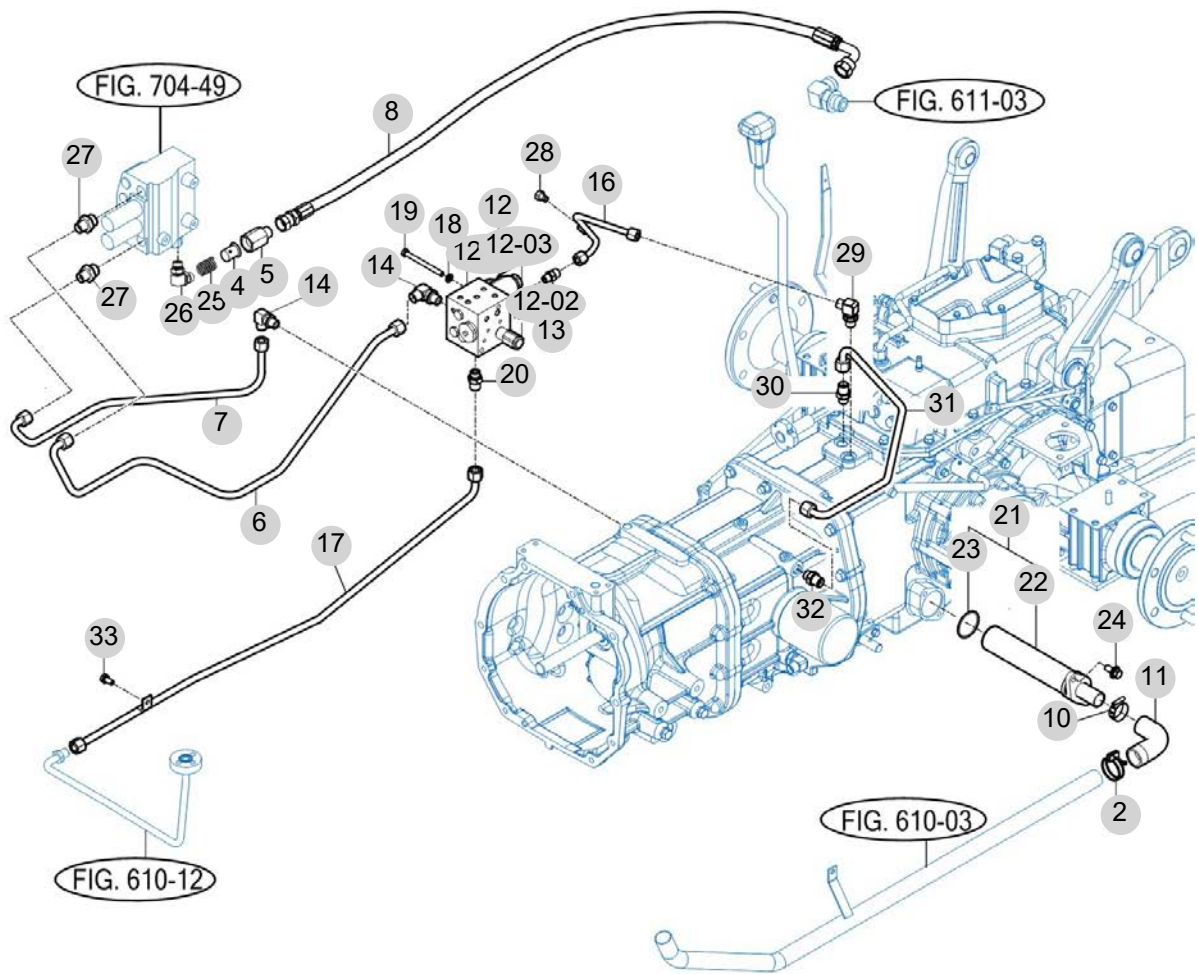
FIG 609

HYDRAULIC PIPE (1)

년/월
Year/Month

2022-12

T395NHEU



T384NH-E-605

NOTE

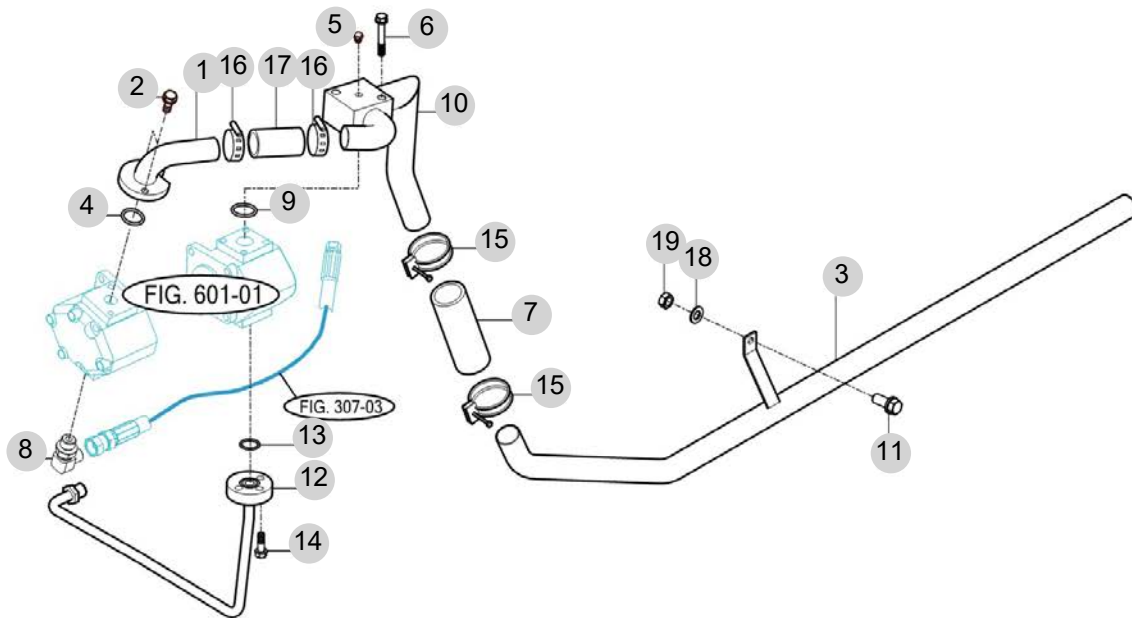
FIG 610

T395NHEU

HYDRAULIC PIPE (2)

년/월
Year/Month

2022-12



T394-E-606

NOTE

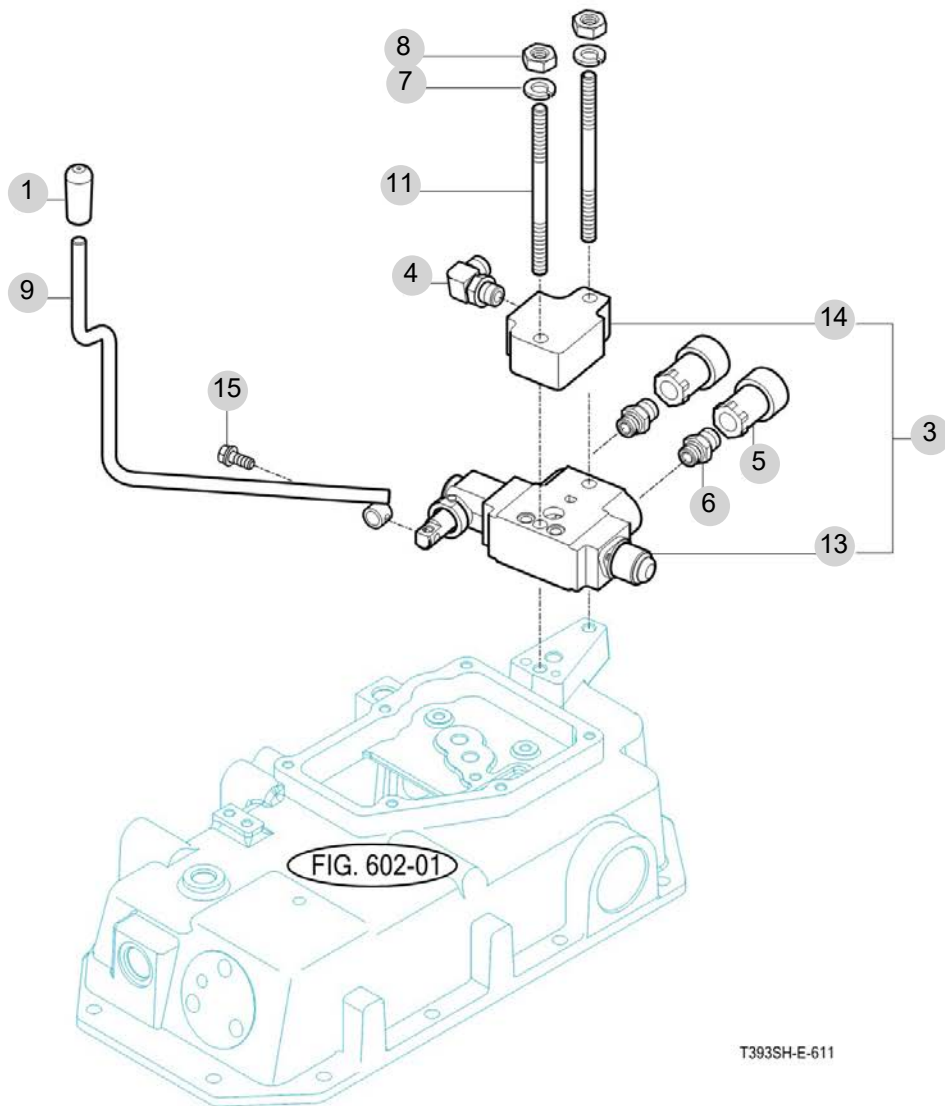
FIG 611

T395NHEU

EXTERIOR HYD. VALVE

년/월
Year/Month

2022-12



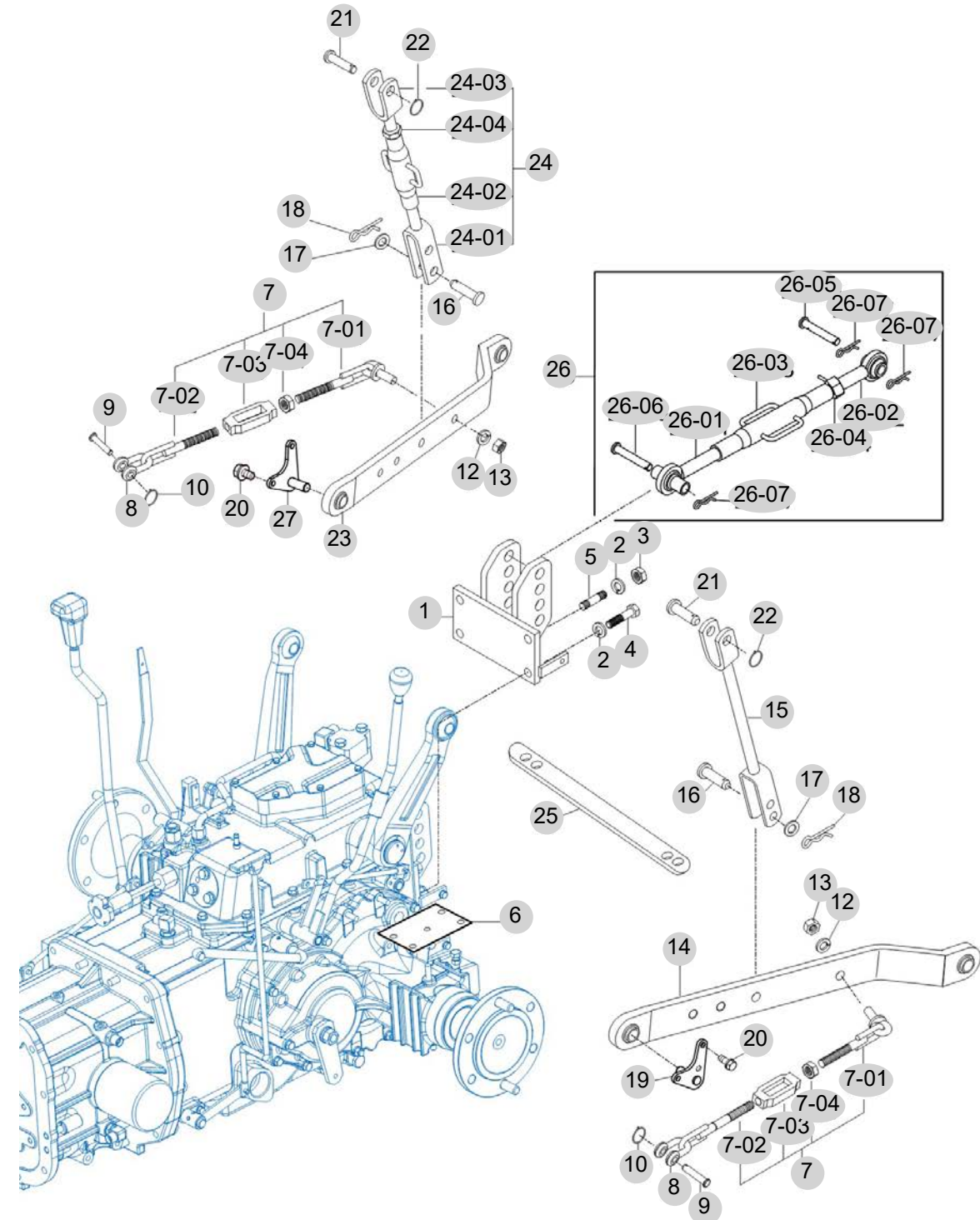
NOTE

FIG 612

3-POINT LINK

년/월
Year/Month

2022-12



2538NH-K-612

NOTE

| FIG 612 | | 3-POINT LINK | | | | | | 년/월 Year/Month | |
|----------|-------|---------------|-----------------|-------------|------|-----|--------|-------------------|---------|
| | | | | | | | | 2022-12 | |
| T395NHEU | | KEY NO | PART NO | DESCRIPTION | SPEC | QTY | REPAIR | EFFECTIVE DATE | REMARKS |
| 612 | 1 | 16703172002GB | 톱링크 브래킷 COMP | | | 1 | | | |
| 612 | 2 | V4011600140 | 스프링와셔 | M14 | | 4 | | | |
| 612 | 3 | V3043600140 | 소형육각너트보통2종 | M14 | | 2 | | | |
| 612 | 4 | V2014614035 | 소형육각볼트(보통) | | | 2 | | | |
| 612 | 5 | V2514414030 | 스터드볼트2종 | M14X30 | | 2 | | | |
| 612 | 6 | 13017020040GB | 플레이트 , ROPS 미부착 | | | 2 | | | |
| 612 | 7 | 16705142501 | 체인(체크) 조합 | | | 2 | | | |
| 612 | 7-01 | 16705244100 | 체인(체크,LH)COMP | | | 2 | | | |
| 612 | 7-02 | 16705142800 | 체인(체크,RH)COMP | | | 2 | | | |
| 612 | 7-03 | 16705142510M | 터언버클 | | | 2 | | | |
| 612 | 7-04 | V3043600160 | 소형육각너트보통2종 | M16 | | 2 | | | |
| 612 | 8 | 16705142520 | 체크체인 샤클 | | | 2 | | | |
| 612 | 9 | 79636110030 | 핀(12X48) | | | 2 | | | |
| 612 | 10 | 16735240060 | 스프링(45) | | | 2 | | | |
| 612 | 12 | V4011600160 | 스프링와셔 | M16 | | 2 | | | |
| 612 | 13 | V3013600160 | 육각너트보통2종 | M16 | | 2 | | | |
| 612 | 14 | 12385142000GB | 로어링크(LH)COMP | | | 1 | | | |
| 612 | 15 | 16705142400GB | 리프트로드(LH) COMP | | | 1 | | | |
| 612 | 16 | 79636130050 | 핀(16X60) | | | 2 | | | |
| 612 | 17 | V4111600160 | 평와셔 | M16 | | 2 | | | |
| 612 | 18 | 13059310030 | 헤어핀(D=2.3) | | | 2 | | | |
| 612 | 19 | 12385142200 | 핀(LH) COMP | | | 2 | | | |
| 612 | 20 | V2173612030 | 소형육각볼트보통(S) | | | 1 | | | |
| 612 | 20 | V2173612030 | 소형육각볼트보통(S) | M12X30 | | 4 | | | |
| 612 | 21 | 16705020050 | 핀(19X69) | | | 2 | | | |
| 612 | 22 | 16735240060 | 스프링(45) | | | 2 | | | |
| 612 | 23 | 12385142100GB | 로어링크(RH)COMP | | | 1 | | | |
| 612 | 24 | 16705145000GB | 리프트로드(RH)ASSY | | | 1 | | | |
| 612 | 24-01 | 16705145200 | 포크(하)COMP | | | 1 | | | |
| 612 | 24-02 | 16705145100 | 슬리브 COMP | | | 1 | | | |
| 612 | 24-03 | 16705145300 | 포크(상)COMP | | | 1 | | | |
| 612 | 24-04 | V3023600220 | 육각너트보통3종 | | | 1 | | | |
| 612 | 25 | 15605250030 | 밴드(470) | | | 1 | | | |
| 612 | 26 | 16505245501GB | 톱링크ASSY | | | 1 | | | |
| 612 | 26 | 16505245502GB | 톱링크 ASSY | | | 1 | | | |
| 612 | 26-01 | 16505245510 | 톱링크COMP(RH) | | | 1 | | | |
| 612 | 26-02 | 16505245520 | 톱링크COMP(LH) | | | 1 | | | |
| 612 | 26-03 | 14555140251 | 터버클 조합(톱링크) | | | 1 | | | |
| 612 | 26-04 | 16505245530 | 육각너트 | | | 1 | | | |
| 612 | 26-05 | 15645220020 | 핀(19X95) | | | 1 | | | |
| 612 | 26-06 | 15645220011 | 핀(19X86) | | | 1 | | | |
| 612 | 26-07 | 14445140051 | 헤어핀(19) | | | 3 | | | |
| 612 | 27 | 12385142300 | 핀(RH) COMP | | | 1 | | | |
| | | | | | | | | | |
| | | | | | | | | | |
| NOTE | | | | | | | | | |

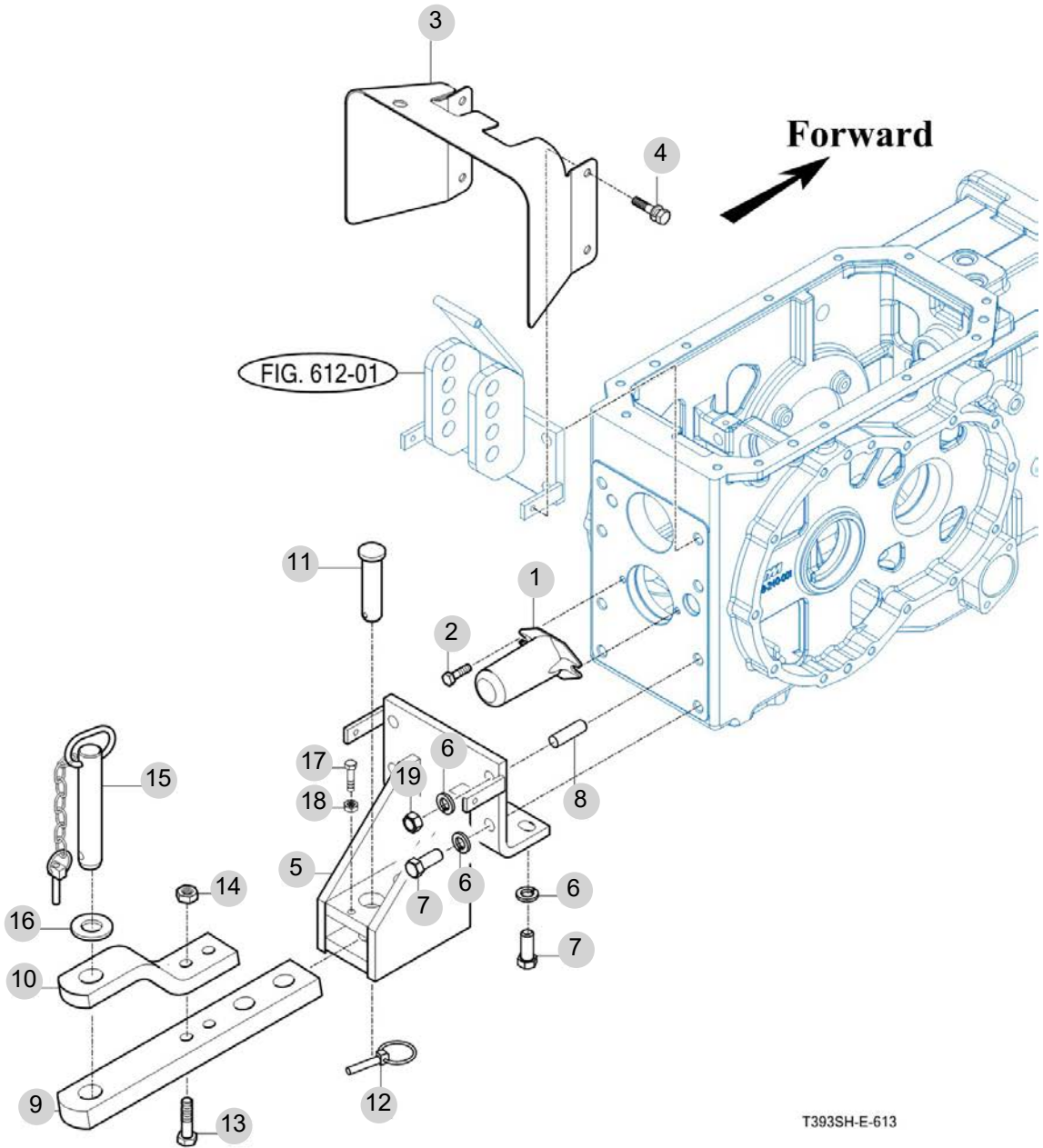
FIG 613

T395NHEU

HITCH & COVER

년/월
Year/Month

2022-12



T393SH-E-613

NOTE

7. 시트메탈/캐빈 PART NO. T7

| | |
|----------------------------|-----|
| FIG 701 HOOD | 151 |
| FIG 702 BONNET | 153 |
| FIG 704 FENDER, REAR FRAME | 156 |
| FIG 705 ROPS | 159 |
| FIG 706 DASH PANEL | 161 |
| FIG 707 FLOOR | 163 |
| FIG 708 SEAT | 165 |
| FIG 709 FLOOR MOUNTING | 167 |

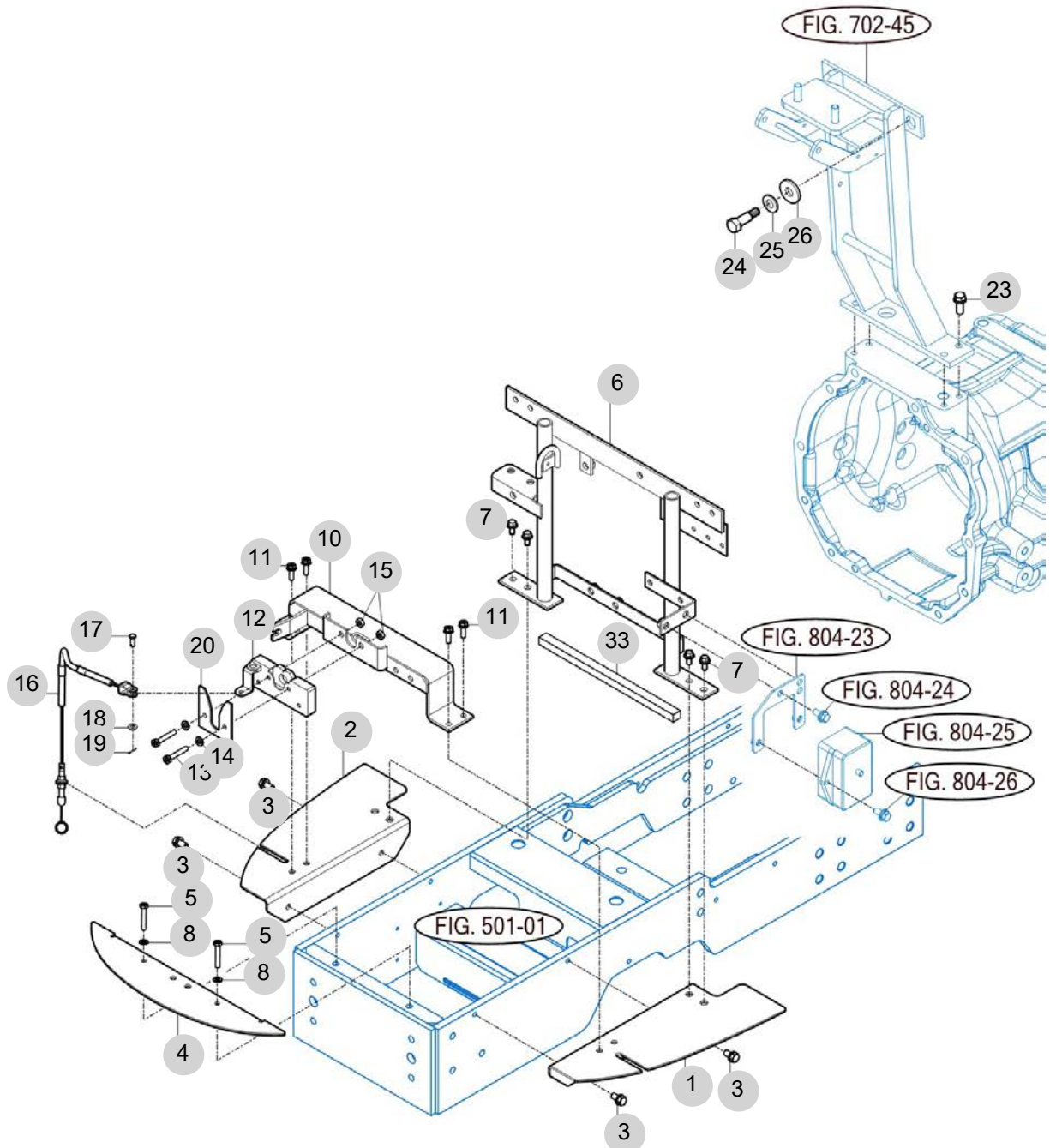
FIG 701

T395NHEU

HOOD

년/월
Year/Month

2022-12



NOTE

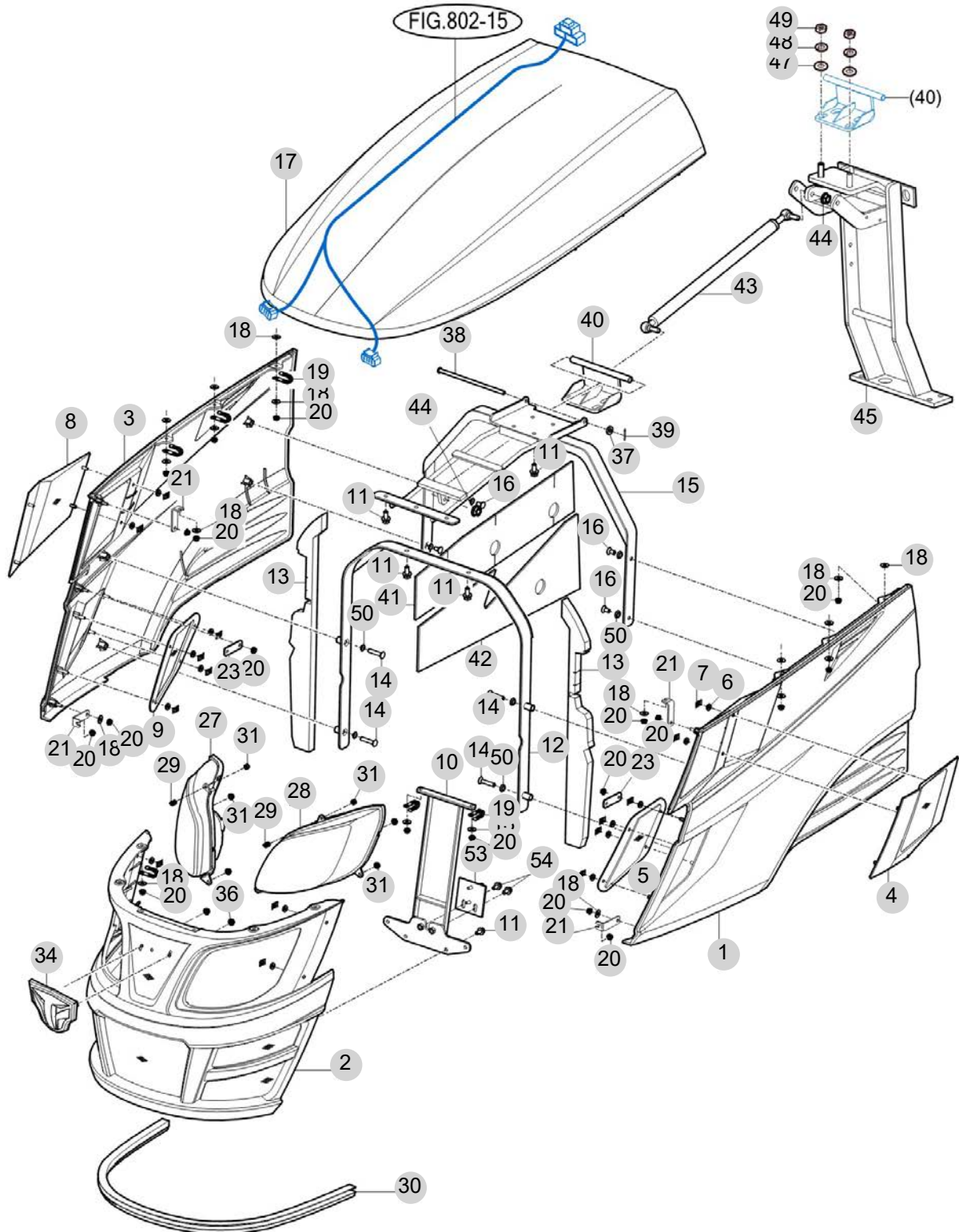
FIG 702

T395NHEU

BONNET

년/월
Year/Month

2022-12



NOTE

| FIG 702 | | BONNET | | | | | 년/월 Year/Month | | |
|----------|----|---------------|-----------------|-------------|------|-----|-------------------|----------------|---------|
| | | | | | | | 2022-12 | | |
| T395NHEU | | KEY NO | PART NO | DESCRIPTION | SPEC | QTY | REPAIR | EFFECTIVE DATE | REMARKS |
| 702 | 1 | 17406203301SR | 사이드 커버 COMP , 좌 | | | 1 | | | |
| 702 | 1 | 17406203302SR | 사이드 커버 COMP , 좌 | | | 1 | | | |
| 702 | 1 | 17406203303SR | 사이드 커버 COMP , 좌 | | | 1 | | | |
| 702 | 2 | 17406203201GB | 그릴 COMP | | | 1 | | | |
| 702 | 3 | 17406203401SR | 사이드 커버 COMP , 우 | | | 1 | | | |
| 702 | 3 | 17406203402SR | 사이드 커버 COMP , 우 | | | 1 | | | |
| 702 | 3 | 17406203403SR | 사이드 커버 COMP , 우 | | | 1 | | | |
| 702 | 4 | 17406203500GB | 네트 , 상/좌 | | | 1 | | | |
| 702 | 5 | 17406203600GB | 네트 , 하/좌 | | | 1 | | | |
| 702 | 6 | 14446010150 | 네트와샤(6X14X3) | | | 16 | | | |
| 702 | 7 | V3501600060 | 스프링 너트 | | | 16 | | | |
| 702 | 8 | 17406203700GB | 네트 , 상/우 | | | 1 | | | |
| 702 | 9 | 17406203800GB | 네트 , 하/우 | | | 1 | | | |
| 702 | 10 | 18366202500GB | 핀 COMP , 후드락 | | | 1 | | | |
| 702 | 11 | V2183608020 | 소형육각볼트보통(SP) | | | 13 | | | |
| 702 | 12 | 17406202300GB | 후드 프레임 COMP , 전 | | | 1 | | | |
| 702 | 13 | 17406202430 | 인슐레이터 , 사이드 전 | | | 2 | | | |
| 702 | 14 | V1122608040 | 심자흡접시작은나사 | | | 4 | | | |
| 702 | 15 | 10536202700GB | 후드 프레임 COMP , 후 | | | 1 | | | |
| 702 | 15 | 10536202701GB | 후드 프레임 COMP , 후 | | | 1 | | | |
| 702 | 15 | 10536202702GB | 후드 프레임 COMP , 후 | | | 1 | | | |
| 702 | 16 | V1122608016 | 심자흡접시작은나사 | | | 4 | | | |
| 702 | 17 | 17406203101SR | 후드 COMP | | | 1 | | | |
| 702 | 17 | 17406203102SR | 후드 COMP | | | 1 | | | |
| 702 | 17 | 17406203103SR | 후드 COMP | | | 1 | | | |
| 702 | 18 | 35605033020 | 와이어인출용와셔 | | | 22 | | | |
| 702 | 19 | 37371720090 | 메인하니스 클램프(하) | | | 6 | | | |
| 702 | 20 | V3802600060 | 플랜지붙이육각너트 | M6 | | 24 | | | |
| 702 | 21 | 17406203011GB | 플레이트 , 상/사이드 | | | 4 | | | |
| 702 | 21 | 17406203010GB | 플레이트 , 상/사이드 | | | 4 | | | |
| 702 | 23 | 17406203020GB | 플레이트 , 중/사이드 | | | 2 | | | |
| 702 | 27 | 17406525001 | 헤드램프 ASSY , 우 | | | 1 | | | |
| 702 | 27 | 17406525002 | 헤드램프 ASSY , 우 | | | 1 | | | |
| 702 | 28 | 17406524001 | 헤드램프 ASSY , 좌 | | | 1 | | | |
| 702 | 28 | 17406524002 | 헤드램프 ASSY , 좌 | | | 1 | | | |
| 702 | 29 | 36108010080 | 중자출구스프링(HC016) | | | 2 | | | |
| 702 | 30 | 17406203900 | 인슐레이터 , 후드 | | | 1 | | | |
| 702 | 31 | 19027210060 | 나일론너트(M6) | | | 6 | | | |
| 702 | 34 | 19959010011 | 엠블럼 | | | 1 | | | |
| 702 | 34 | 17406212000 | 엠블럼 ASSY , V5 | | | 1 | | | |
| 702 | 36 | V3802600060 | 플랜지붙이육각너트 | M6 | | 2 | | | |
| 702 | 37 | V4111600080 | 평와셔 | M8 | | 1 | | | |
| 702 | 38 | 13016202060 | 후드 핀 | | | 1 | | | |
| 702 | 39 | V5001925020 | 핀 | | | 1 | | | |
| 702 | 40 | 13016202803GB | 후드 힌지 플레이트 COMP | | | 1 | | | |
| NOTE | | | | | | | | | |

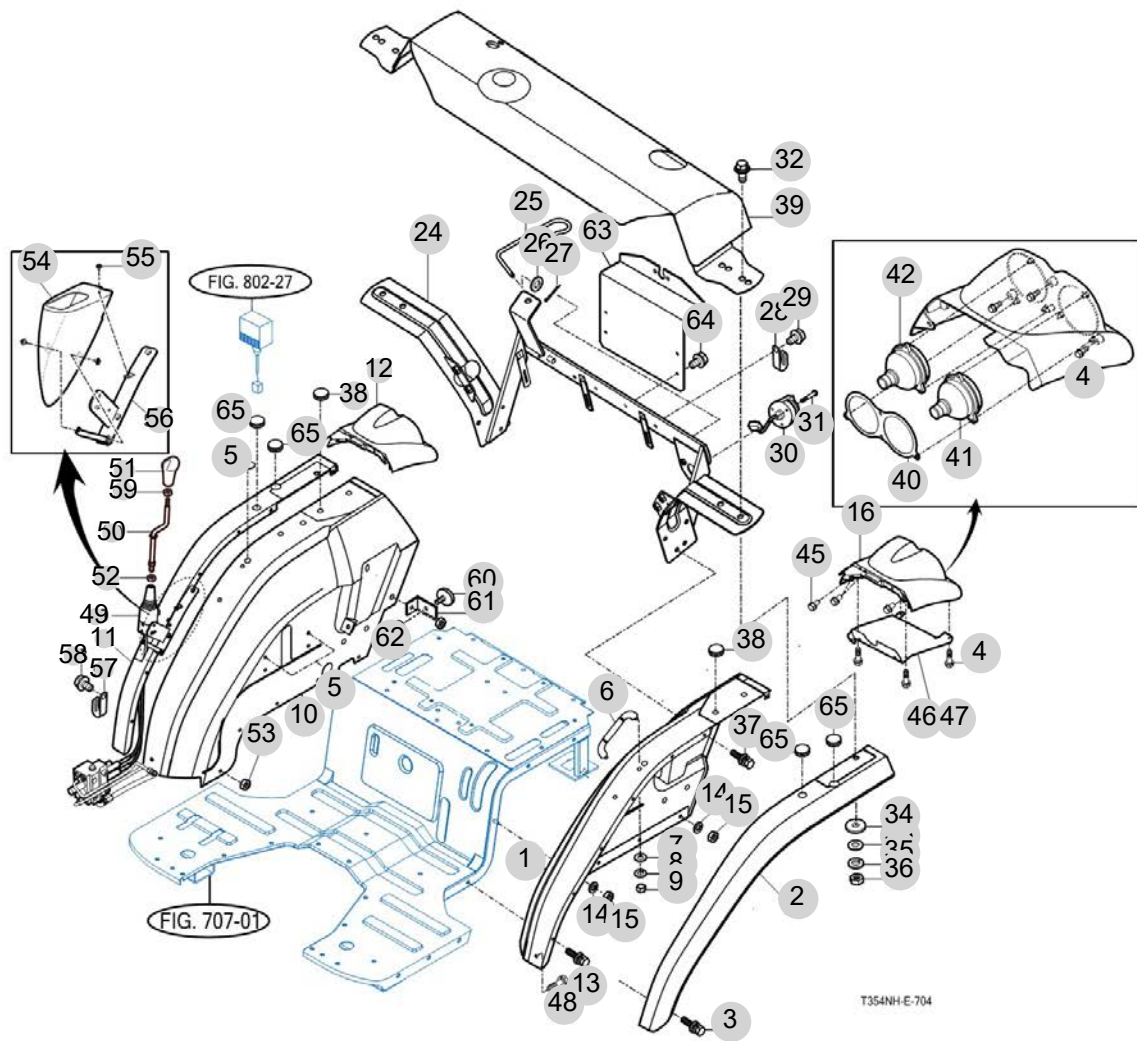
FIG 704

T395NHEU

FENDER, REAR FRAME

년/월
Year/Month

2022-12



NOTE

| FIG 704 | | FENDER, REAR FRAME | | | | | 년/월 Year/Month | | |
|----------|----|--------------------|-----------------------|-------------|------|-----|-------------------|----------------|---------|
| | | | | | | | 2022-12 | | |
| T395NHEU | | KEY NO | PART NO | DESCRIPTION | SPEC | QTY | REPAIR | EFFECTIVE DATE | REMARKS |
| 704 | 1 | 14726063502SR | 휀더(LH)COMP | | | 1 | | | |
| 704 | 2 | 12656060040SR | 훗받이 휀더 (LH) | | | 1 | | | |
| 704 | 2 | 12656060041SR | 훗받이 휀더 (LH) | | | 1 | | | |
| 704 | 3 | V2193606016 | 육각볼트(SPL) | M6X16 | | 12 | | | |
| 704 | 4 | V2123606012 | 육각볼트(SP) | M6X12 | | 14 | | | |
| 704 | 5 | 16606070031 | 캡(9) | | | 6 | | | |
| 704 | 6 | 14726071101 | 손잡이 COMP | | | 1 | | | |
| 704 | 7 | 35602010150 | 결속축와셔 | | | 2 | | | |
| 704 | 8 | V4011600080 | 스프링와셔 | M8 | | 2 | | | |
| 704 | 9 | V3042600080 | 소형육각너트보통2종 | M8 | | 2 | | | |
| 704 | 10 | 14726063602SR | 휀더(RH)COMP(PNT) | | | 1 | | | |
| 704 | 11 | 10526060020SR | 훗받이 휀더 (RH) | | | 1 | | | |
| 704 | 11 | 10526060021SR | 훗받이 휀더 (RH) | | | 1 | | | |
| 704 | 12 | 13016060030 | 리어 램프 커버(우) | | | 1 | | | |
| 704 | 13 | V2183608020 | 소형육각볼트보통(SP) | M8X20 | | 8 | | | |
| 704 | 14 | V4011600080 | 스프링와셔 | M8 | | 4 | | | |
| 704 | 15 | V3042600080 | 소형육각너트보통2종 | M8 | | 4 | | | |
| 704 | 16 | 13016060020 | 리어램프커버(좌) | | | 1 | | | |
| 704 | 24 | 16707035403SR | 리어프레임(연료탱크)COMP | | | 1 | | | |
| 704 | 25 | 14885251100 | 후크(톱링크) | | | 1 | | | |
| 704 | 26 | V4111600060 | 평와셔 | M6 | | 1 | | | |
| 704 | 27 | V5001920015 | 분할핀 | 2X15 | | 1 | | | |
| 704 | 28 | 14256210040 | 하니스클램프(9) | | | 1 | | | |
| 704 | 29 | V2123606012 | 육각볼트(SP) | M6X12 | | 1 | | | |
| 704 | 30 | 13267028200 | 트레일러연결소켓 ASSY | | | 1 | | | |
| 704 | 30 | 13267028201 | 트레일러연결소켓 ASSY | | | 1 | | | |
| 704 | 30 | 13267028202 | 트레일러연결소켓 ASSY | | | 1 | | | |
| 704 | 31 | V1112605030 | 심자훗냄비작은나사 | M5X30 | | 3 | | | |
| 704 | 32 | V2173612040 | 소형육각볼트보통(S) | M12X40 | | 4 | | | |
| 704 | 34 | 36217020030 | 폴리 와셔 | | | 4 | | | |
| 704 | 37 | V2183608020 | 소형육각볼트보통(SP) | M8X20 | | 4 | | | |
| 704 | 38 | 14326510210 | 고무캡(20) | | | 2 | | | |
| 704 | 39 | 14777036302DR | 커버 COMP(연료탱크)(PNT) | | | 1 | | | |
| 704 | 39 | 14777036302SR | 커버 COMP (연료탱크) | | | 1 | | | |
| 704 | 39 | 14777036303SR | 커버 COMP , 연료탱크 | | | 1 | | | |
| 704 | 40 | 13016061300 | 리어램프 고정플레이트 | | | 2 | | | |
| 704 | 41 | 14527023300 | 방향지시등(REAR)ASSY | | | 2 | | | |
| 704 | 42 | 13367023400 | 스톱램프 ASSY | | | 2 | | | |
| 704 | 45 | V2193606020 | 육각볼트(SPL) | | | 2 | | | |
| 704 | 46 | 13016062000GB | 리어램프 커버플레이트 COMP(좌) | | | 1 | | | |
| 704 | 47 | 13016063000GB | 리어 램프 커버 플레이트 COMP(우) | | | 1 | | | |
| 704 | 48 | V2183608035 | 소형육각볼트보통(SP) | M8X35 | | 2 | | | |
| 704 | 49 | 13015504005 | 로더밸브 조이스틱 ASSY | | | 1 | | | |
| 704 | 50 | 12396013900GB | 레버(조이스틱)COMP | | | 1 | | | |
| 704 | 51 | 19027750021 | 그립조합,조이스틱 | | | 1 | | | |
| NOTE | | | | | | | | | |

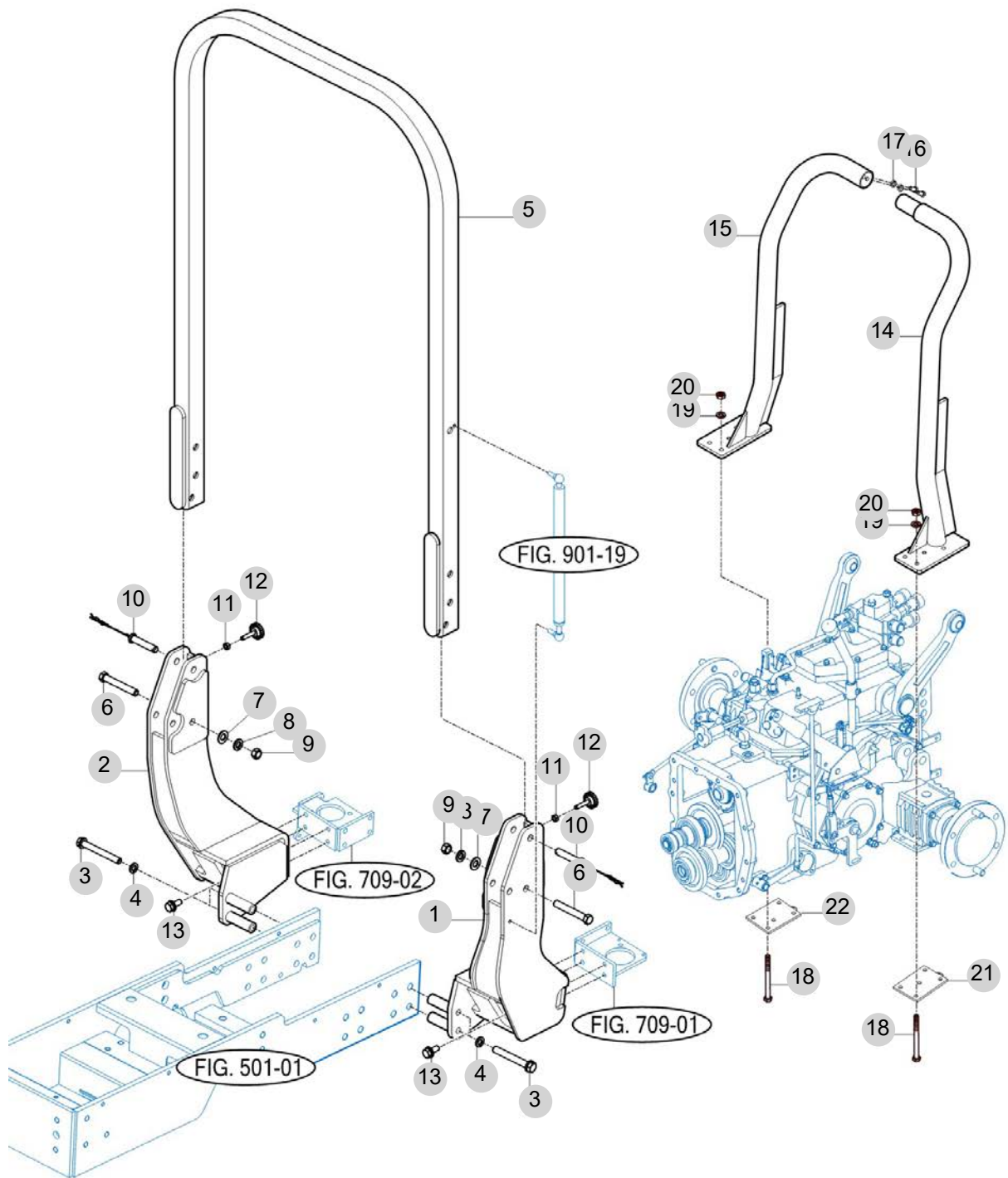
FIG 705

T395NHEU

ROPS

년/월
Year/Month

2022-12



NOTE

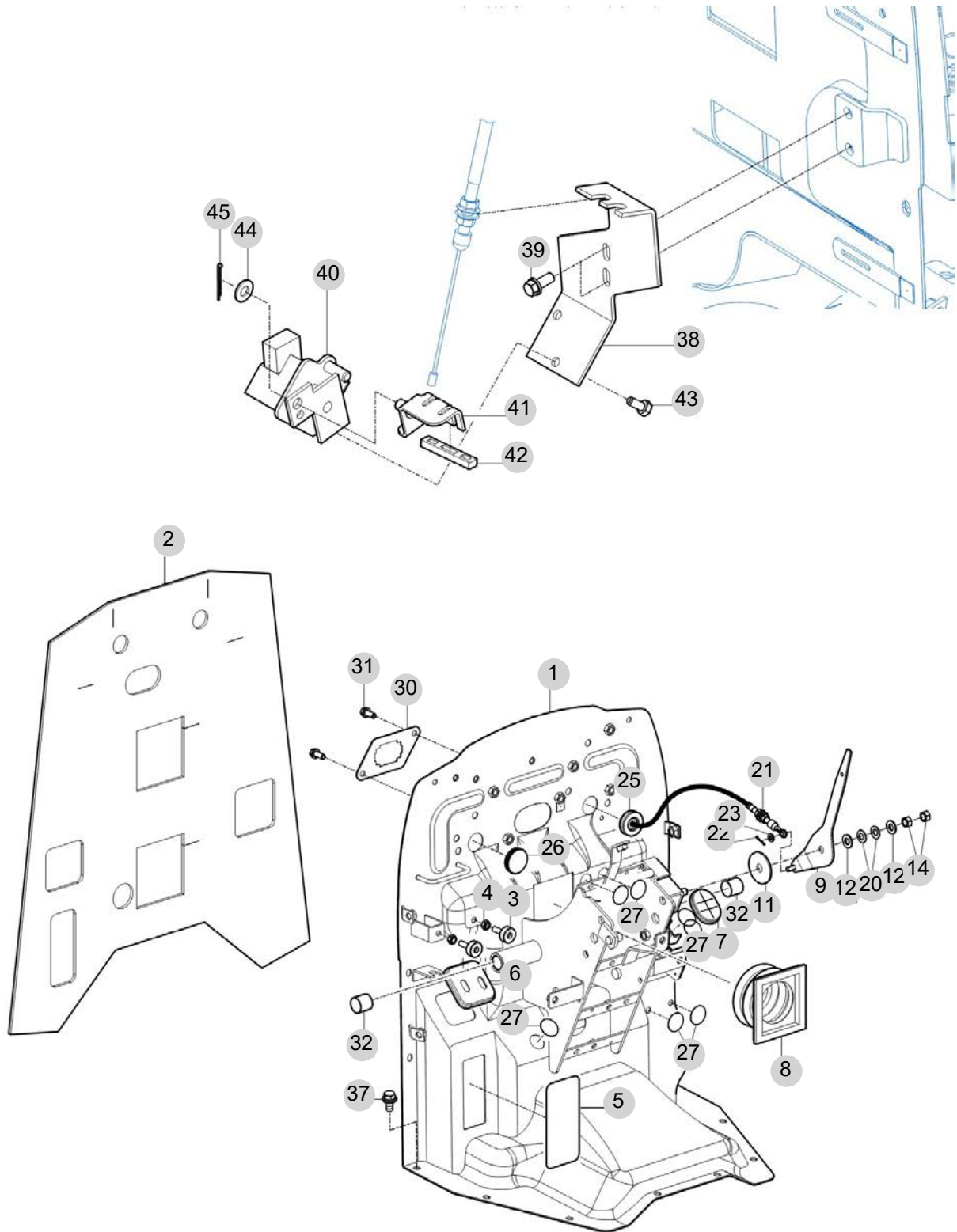
FIG 706

T395NHEU

DASH PANEL

년/월
Year/Month

2022-12



T393NH-E-706

NOTE

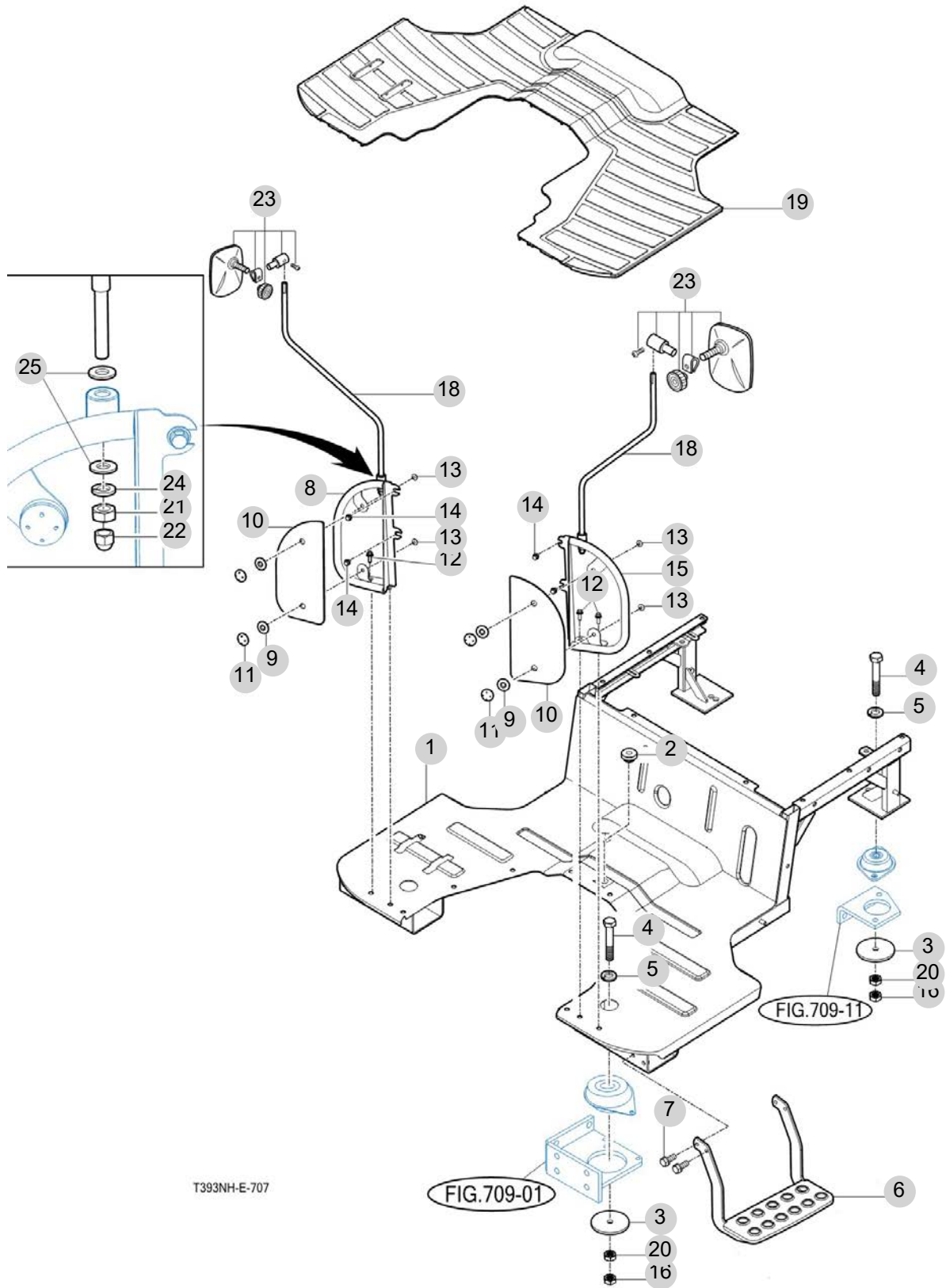
FIG 707

T395NHEU

FLOOR

년/월
Year/Month

2022-12



NOTE

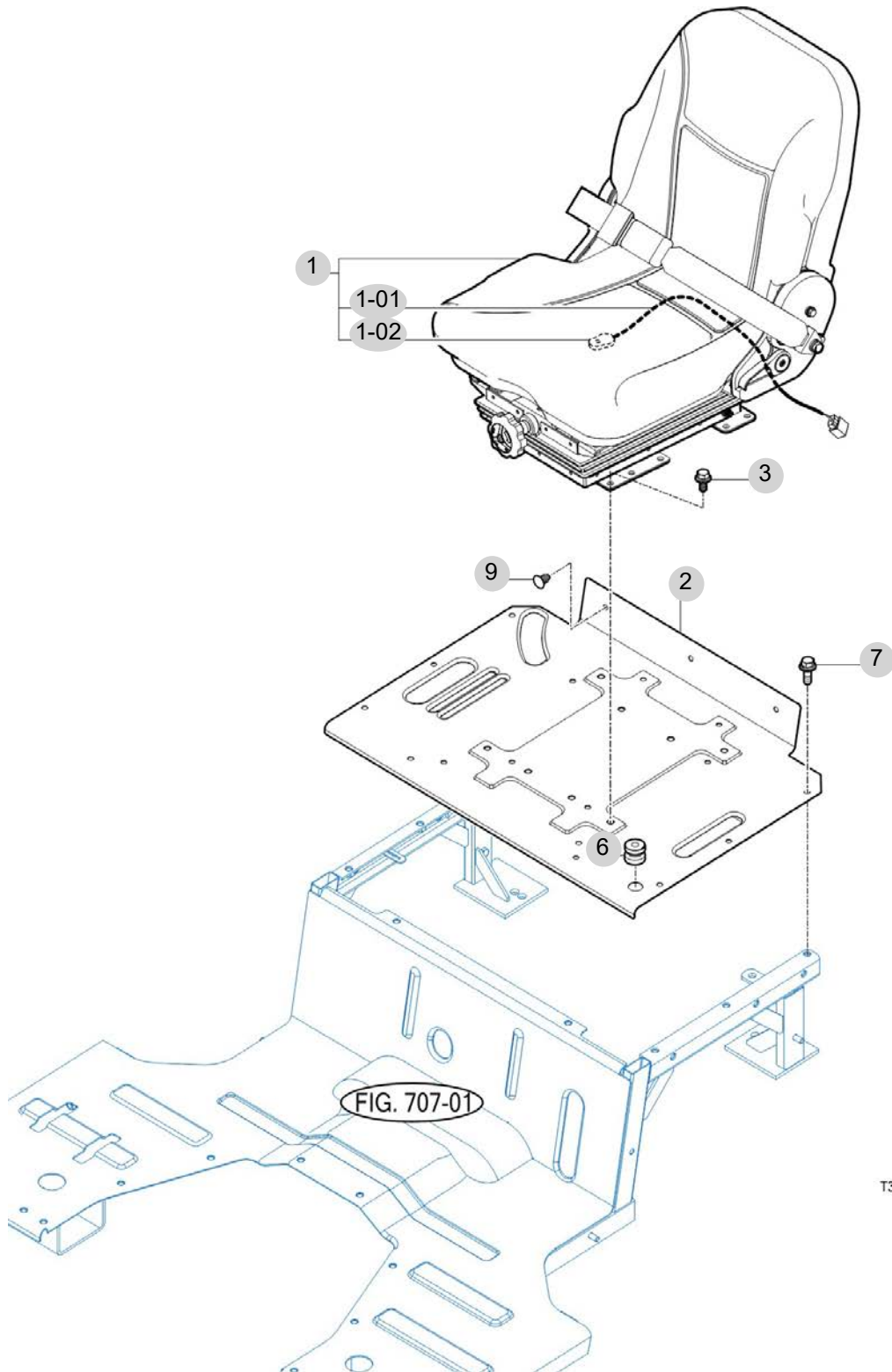
FIG 708

T395NHEU

SEAT

년/월
Year/Month

2022-12



T393NH-E-708

NOTE

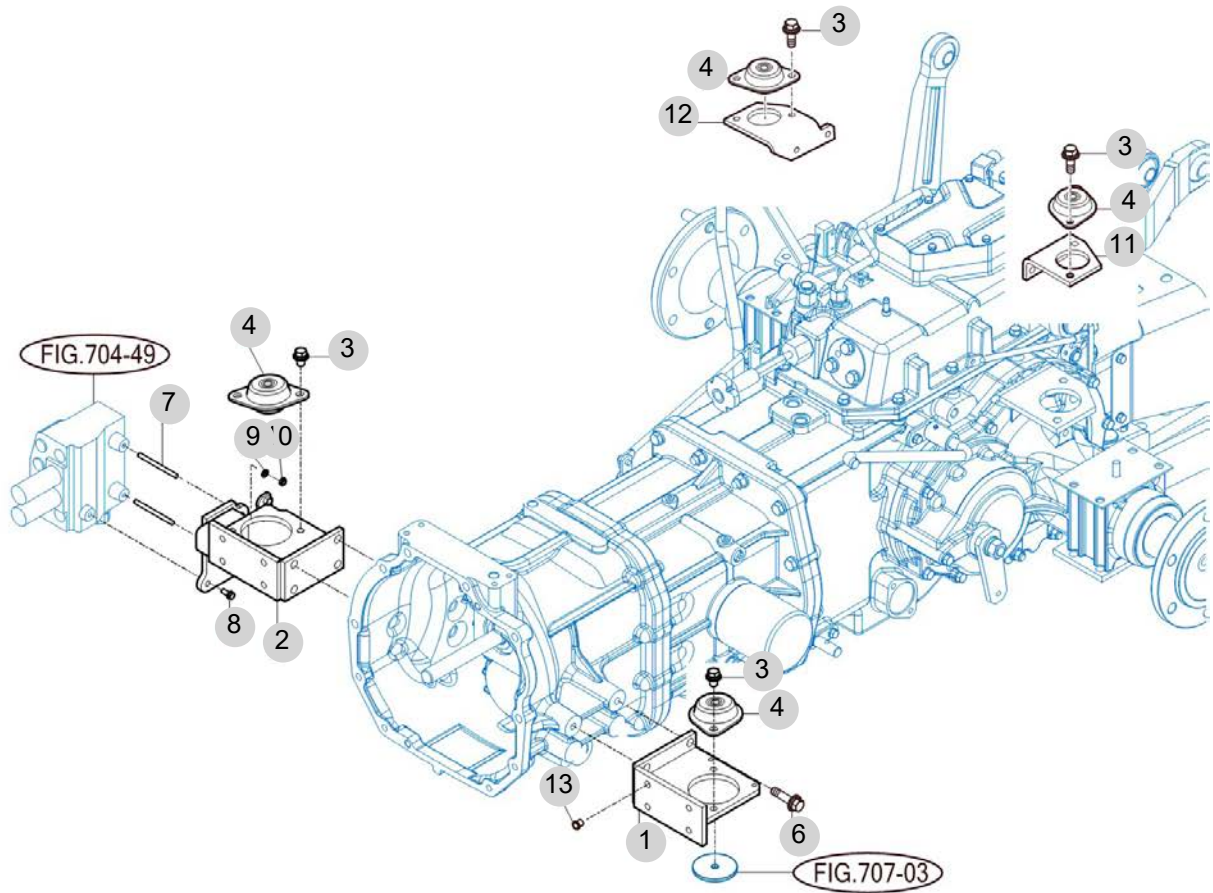
FIG 709

T395NHEU

FLOOR MOUNTING

년/월
Year/Month

2022-12



NOTE

8. 전장 PART NO. T8

| | |
|----------------------------|-----|
| FIG 801 BATTERY & MOUNTING | 170 |
| FIG 802 LIGHTS | 172 |
| FIG 803 INSTRUMENT PANEL | 174 |
| FIG 804 ELECTRIC SYSTEM | 176 |
| FIG 805 HARNESS (1) | 178 |
| FIG 806 HARNESS (2) | 180 |

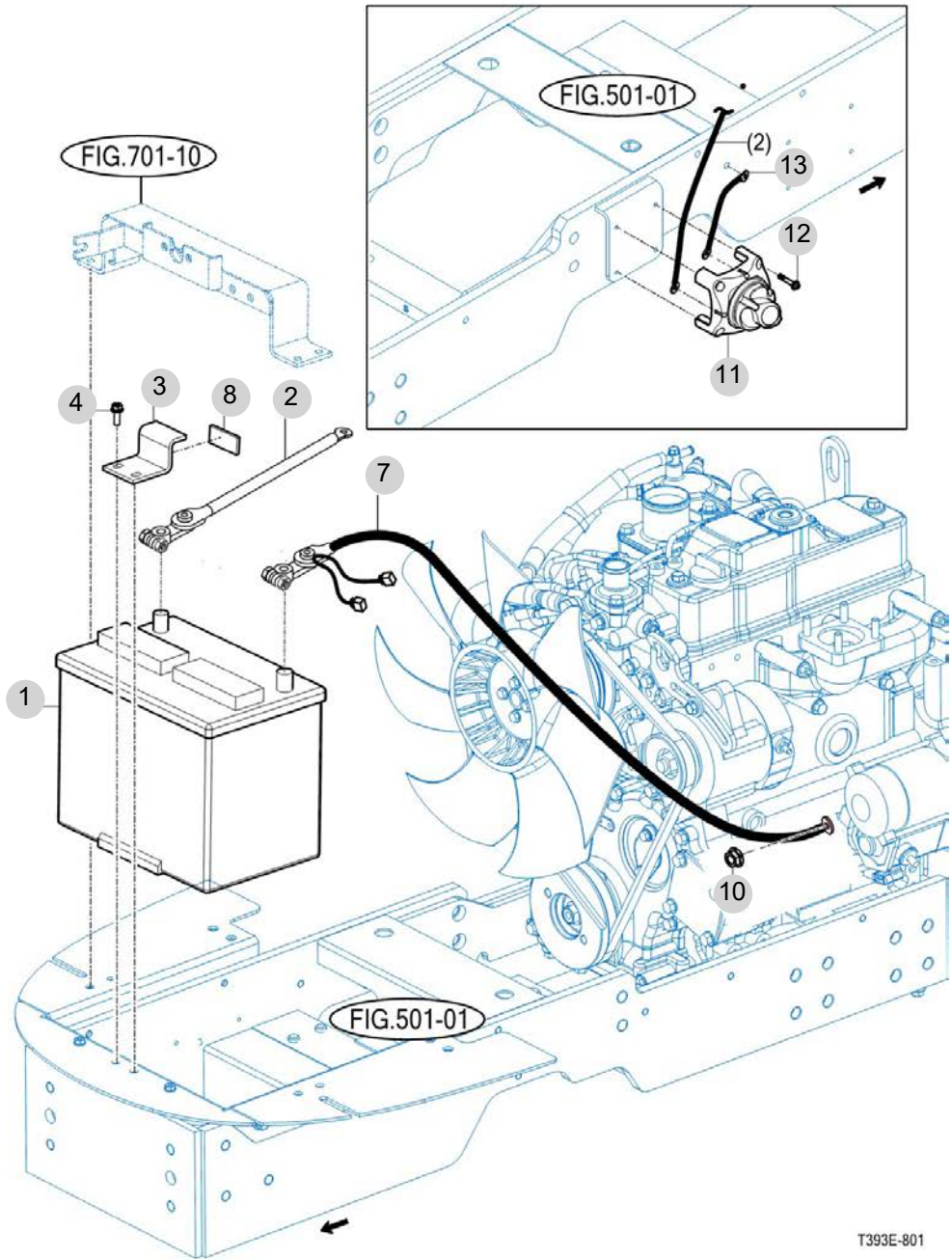
FIG 801

T395NHEU

BATTERY & MOUNTING

년/월
Year/Month

2022-12



NOTE

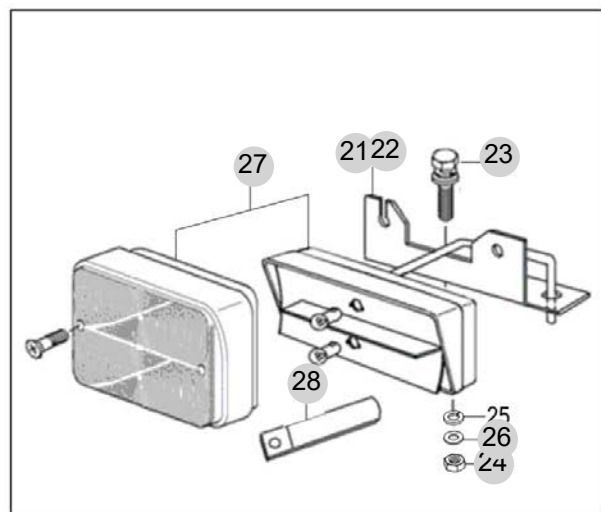
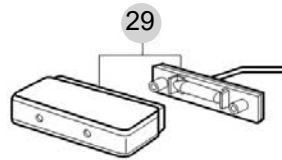
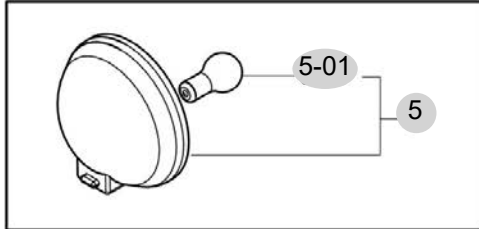
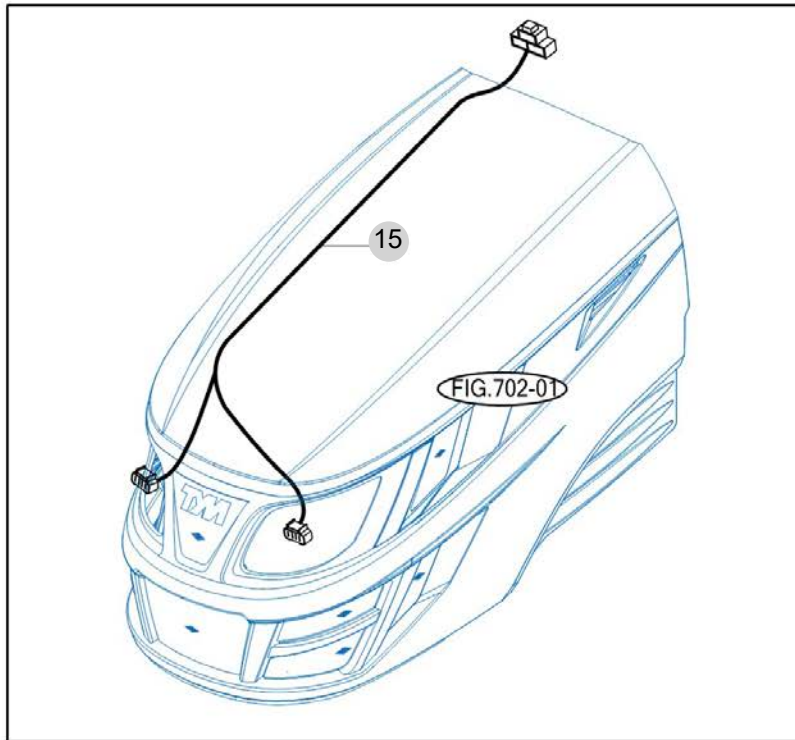
FIG 802

T395NHEU

LIGHTS

년/월
Year/Month

2022-12



NOTE

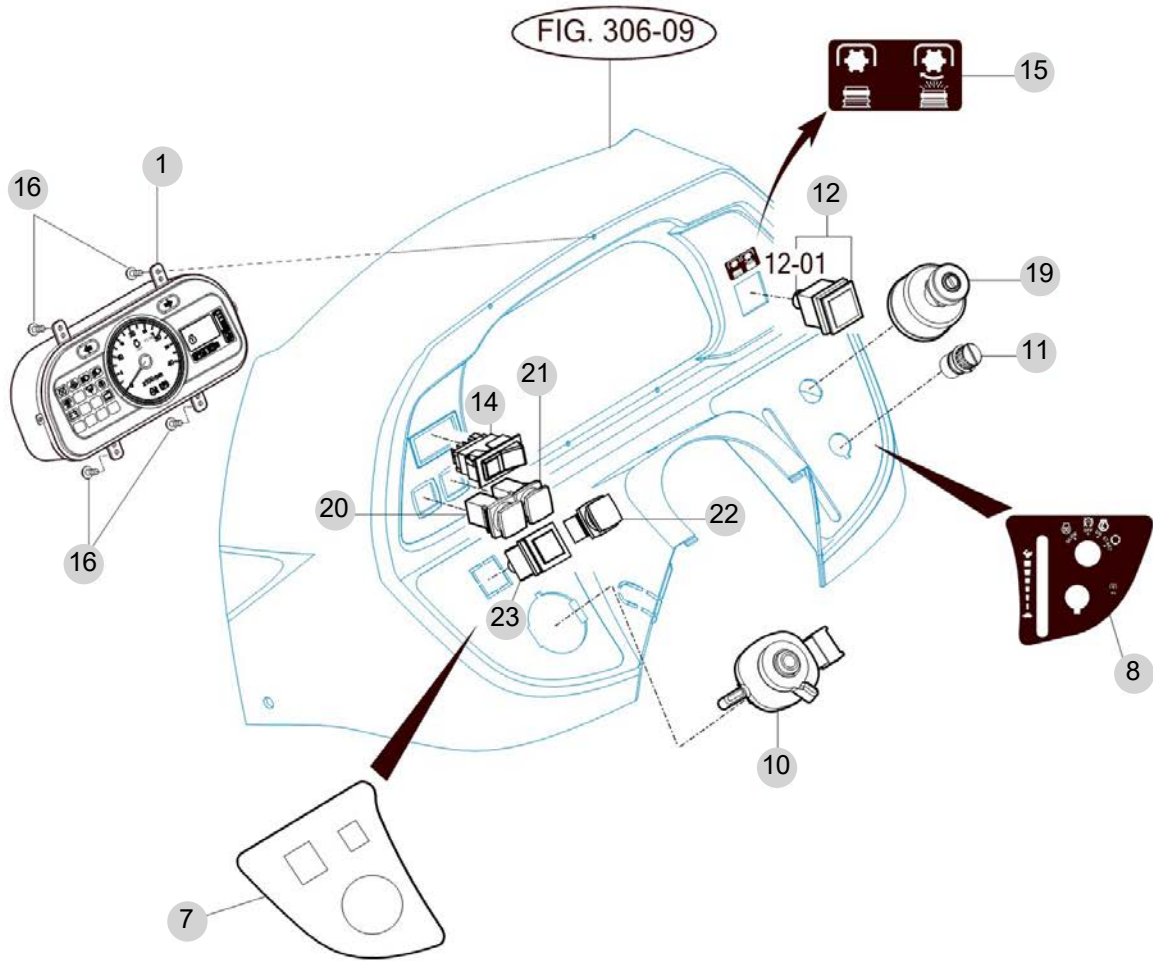
FIG 803

T395NHEU

INSTRUMENT PANEL

년/월
Year/Month

2022-12



T393-E-803

NOTE

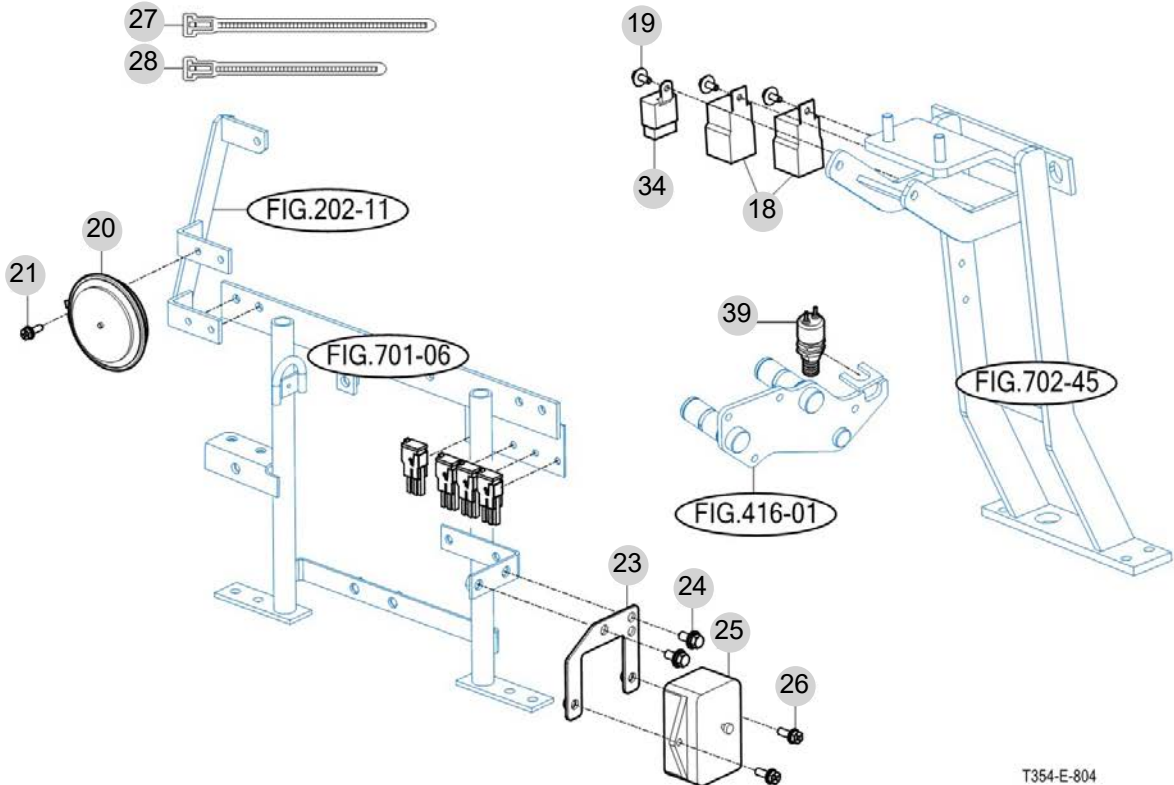
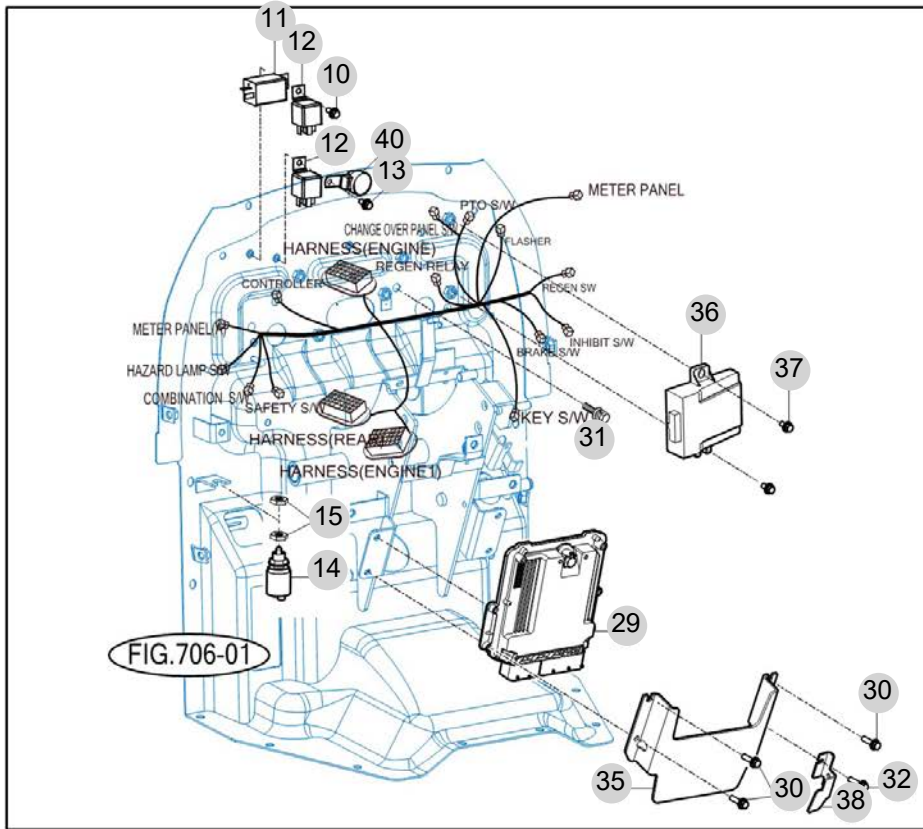
FIG 804

T395NHEU

ELECTRIC SYSTEM

년/월
Year/Month

2022-12



T354-E-804

NOTE

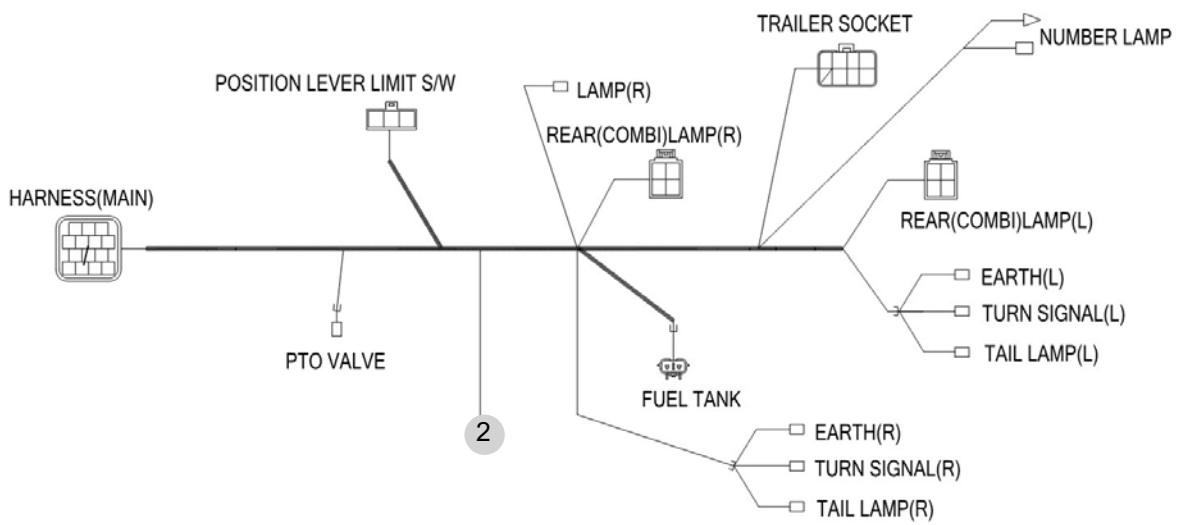
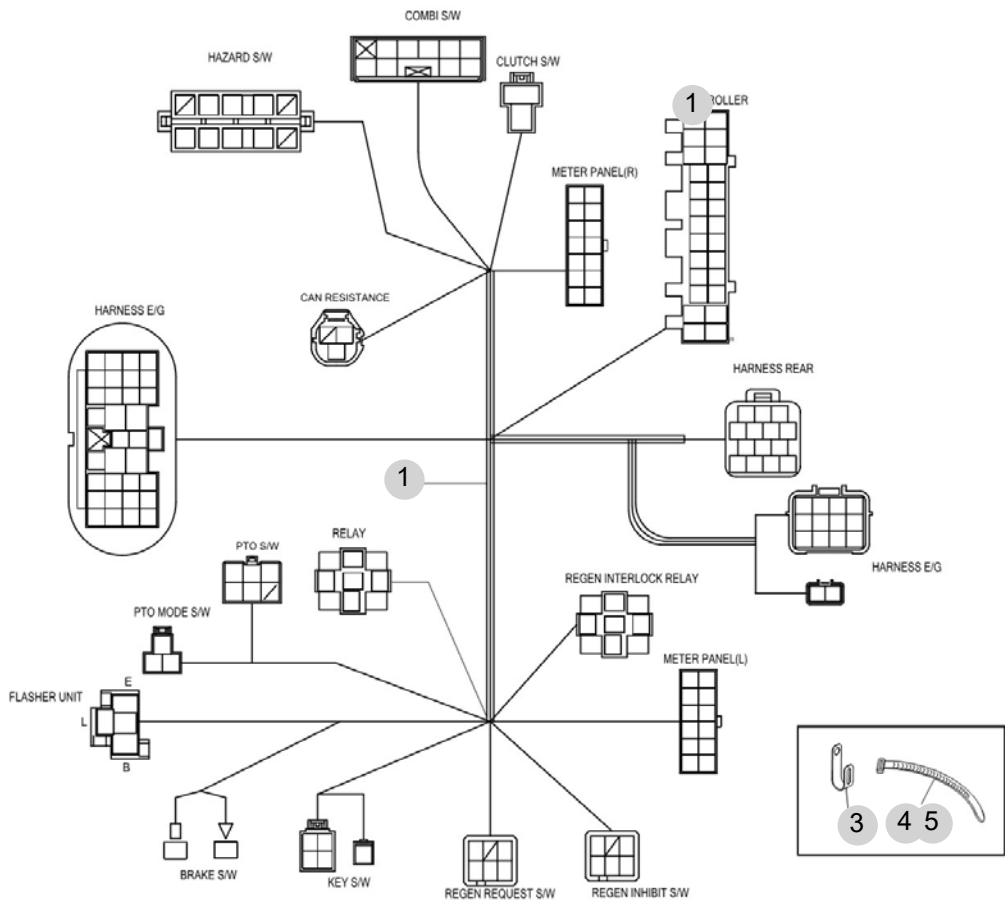
FIG 805

T395NHEU

HARNESS (1)

년/월
Year/Month

2022-12



T354NC-E-805

NOTE

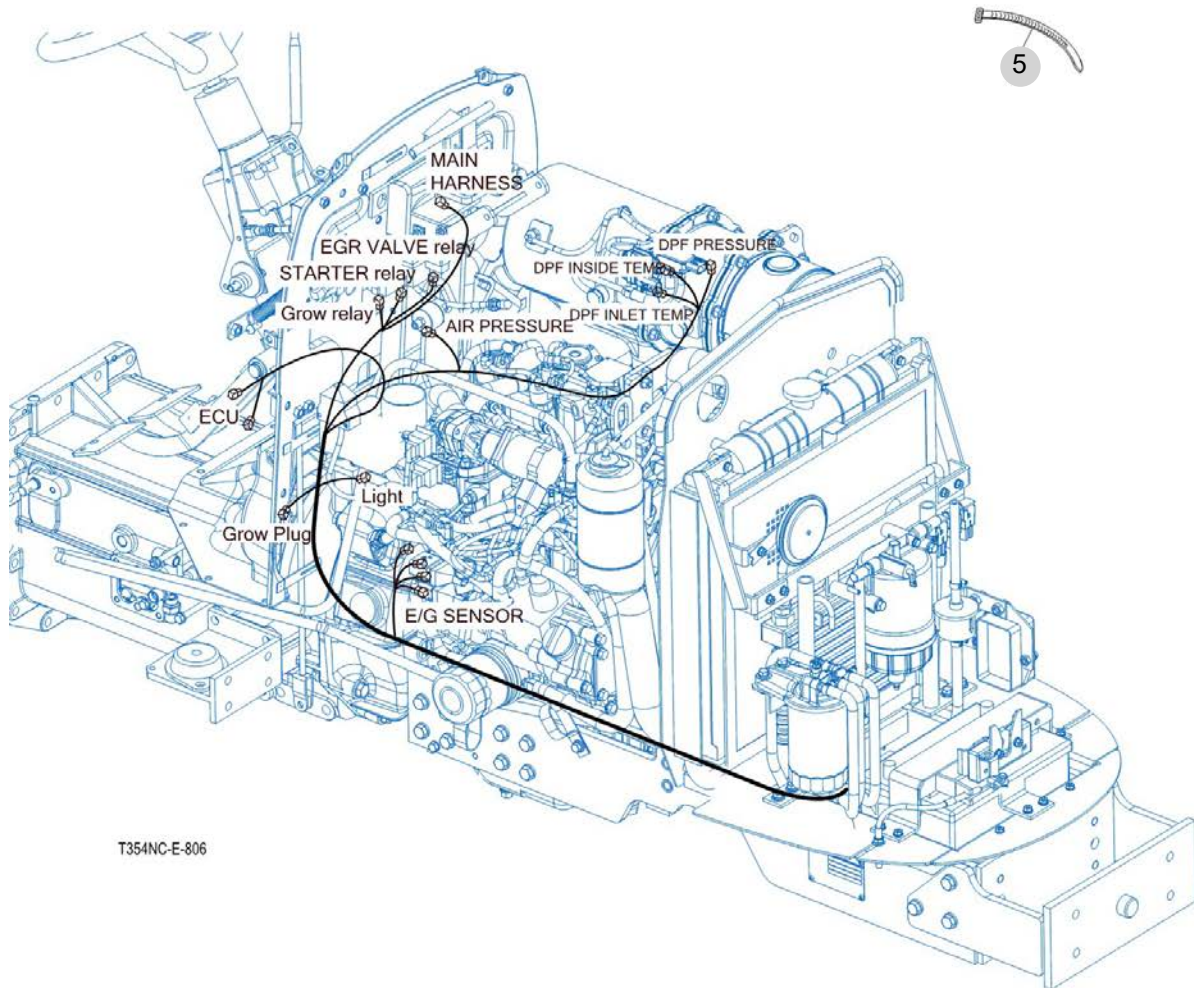
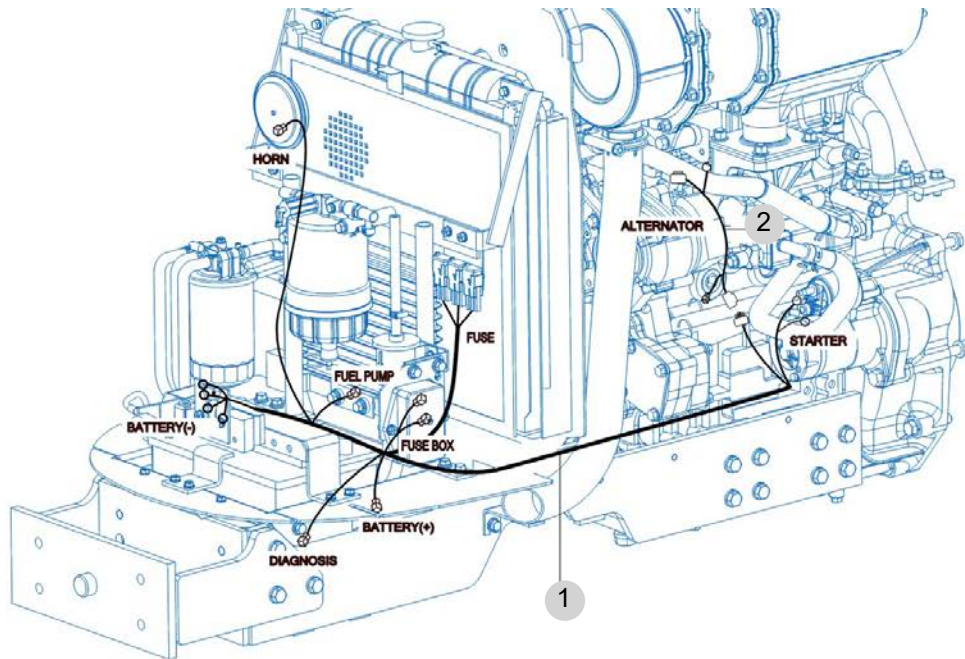
FIG 806

HARNESS (2)

년/월
Year/Month

2022-12

T395NHEU



T354NC-E-806

NOTE

| | | | | | | | |
|--------------------------------|--------------------|--|--|--|--|--|-------------------|
| FIG 806 T395NHEU | HARNESS (2) | | | | | | 년/월 Year/Month |
| | | | | | | | 2022-12 |

| KEY NO | | PART NO | DESCRIPTION | SPEC | QTY | REPAIR | EFFECTIVE DATE | REMARKS |
|--------|---|-------------|--------------|------|-----|--------|----------------|---------|
| 806 | 1 | 17406682002 | 하니스(엔진) ASSY | | 1 | | | |
| 806 | 1 | 17406682003 | 하니스(엔진) ASSY | | 1 | | | |
| 806 | 1 | 17406682004 | 하니스(엔진) ASSY | | 1 | | | |
| 806 | 1 | 17406682005 | 하니스(엔진) ASSY | | 1 | | | |
| 806 | 1 | 17406682006 | 하니스(엔진) ASSY | | 1 | | | |
| 806 | 1 | 17406682007 | 하니스(엔진) ASSY | | 1 | | | |
| 806 | 1 | 17406682008 | 하니스(엔진) ASSY | | 1 | | | |
| 806 | 5 | 13424020060 | 케이블타이(300) | | 5 | | | |
| | | | | | | | | |
| | | | | | | | | |
| | | | | | | | | |
| | | | | | | | | |
| | | | | | | | | |
| | | | | | | | | |
| | | | | | | | | |
| | | | | | | | | |
| | | | | | | | | |
| | | | | | | | | |
| | | | | | | | | |
| | | | | | | | | |
| | | | | | | | | |
| | | | | | | | | |
| | | | | | | | | |
| | | | | | | | | |
| | | | | | | | | |
| | | | | | | | | |
| | | | | | | | | |
| | | | | | | | | |
| | | | | | | | | |
| | | | | | | | | |
| | | | | | | | | |
| | | | | | | | | |
| | | | | | | | | |
| | | | | | | | | |
| | | | | | | | | |
| | | | | | | | | |
| | | | | | | | | |
| | | | | | | | | |
| | | | | | | | | |
| | | | | | | | | |
| | | | | | | | | |
| | | | | | | | | |
| | | | | | | | | |
| | | | | | | | | |

NOTE _____

9. 라벨/옵션 PART NO. T9

| | |
|--------------------------|-----|
| FIG 901 WEIGHT | 183 |
| FIG 902 TOOL & ACCESSORY | 185 |
| FIG 903-1 LABEL | 187 |
| FIG 903-2 LABEL | 190 |

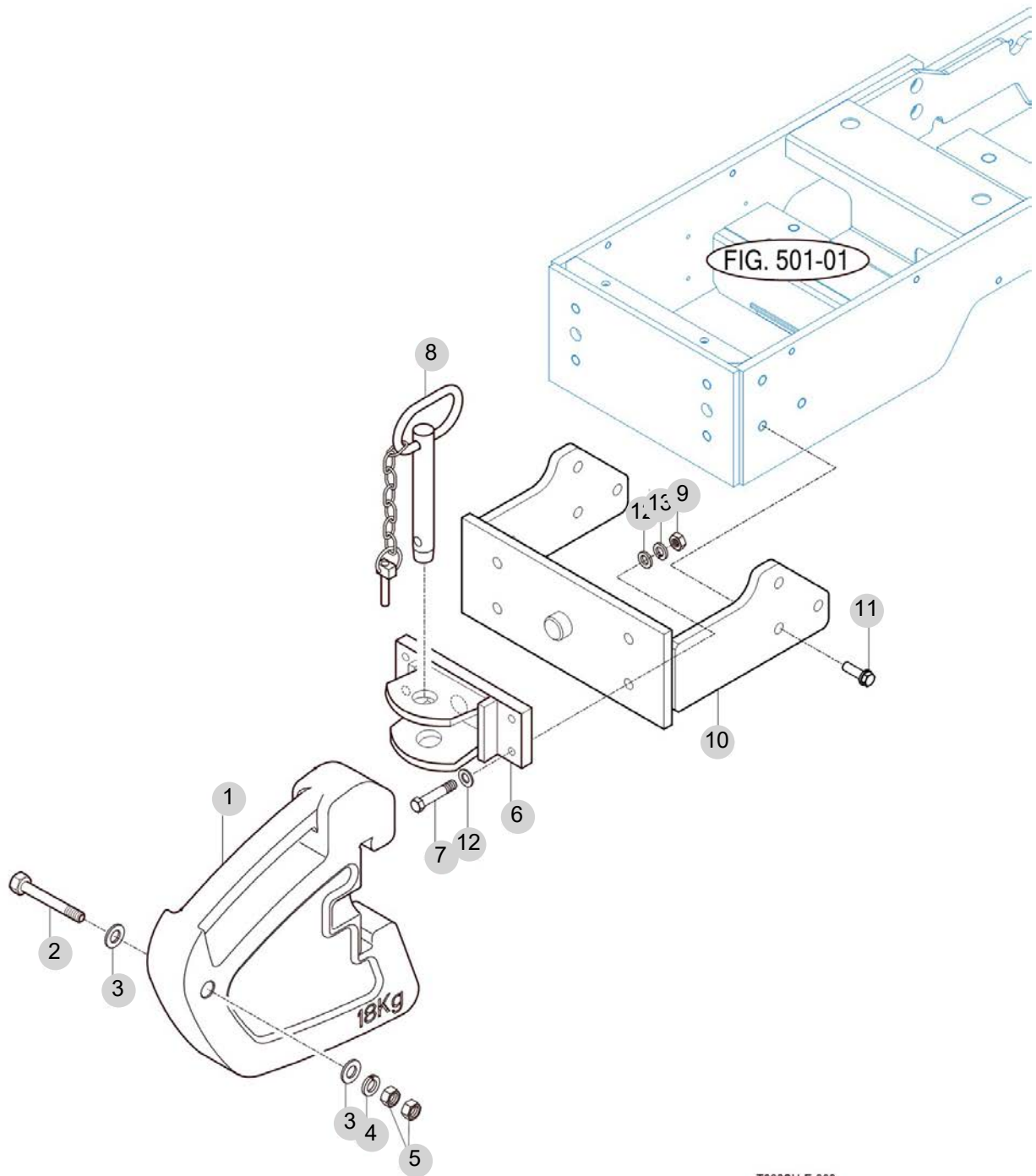
FIG 901

T395NHEU

WEIGHT

년/월
Year/Month

2022-12



T393SH-E-903

NOTE

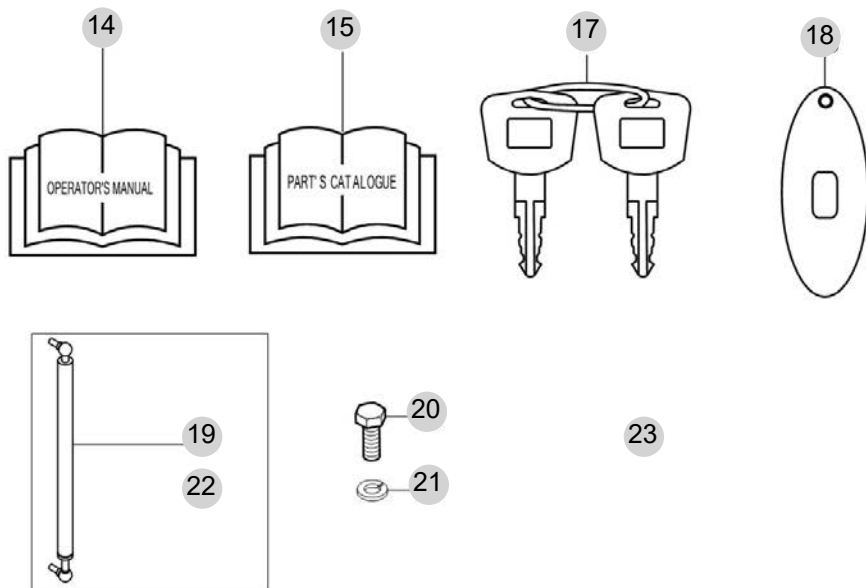
FIG 902

T395NHEU

TOOL & ACCESSORY

년/월
Year/Month

2022-12



NOTE

FIG 903-1

LABEL

년/월
Year/Month

T395NHEU

2022-12

WARNING
Death or injury may result if this tractor over turns with the ROPS in the folded down position. Operate this tractor with the ROPS folded down only when necessary. Do not wear seat belt if operated with ROPS folded down.
1220-954-802-0

DANGER
This Tractor may tip over unexpectedly and quicker than an operator is able to jump free
1.Never operate a tractor without a proper Roll over Protection Structure (ROPS)
2.Always wear your seat belt when operating this tractor equipped with roll over protection.
3.Never pull from above or from the rear axle.
4.Do not operate the tractor on steep slopes or near drop offs
5.Avoid sharp high speed turns
Serious injury or death may result from tractor upsets.
1220-954-801-0

WARNING
● Start engine only from operators seat. If safety start switch is by passed engine can start with transmission in gear.
● Do not connect or short across terminal on starter solenoid.
● Attach booster cables as shown on battery decal and operators manual.
Starting in gear causing runaway can result in serious injury.

DANGER
Do not ride except operator.

CAUTION
Do not touch while the system is hot. It cause serious burns.
1200-919-024-0

WARNING
Work in ventilated Area.

TONGYANGMOOLSAN CO.,LTD.
VIN Number
MID Protection Number
Category
Type
Pto
1200-919-024-0

CAUTION
Do not touch while the system is hot. It cause serious burns.
1200-919-024-0

WARNING
Work in ventilated Area.

TONGYANGMOOLSAN CO.,LTD.
TYPE: T-GC1
e13
00073 NS
T: 3.0 tonnes
S: 300 kg
1200-919-024-0

ROTARY

PTO (MID,REAR) LEVER
To prevent transmission damage, the PTO switch must be OFF before PTO lever is engaged.

WARNING
Always fasten Your seat belt.

WARNING
Never use the diff-lock at high speed or on the road as this can cause rollover and injury.

WARNING
Do not remove radiator cap while engine is hot. Hot steam will injure you.

CAUTION
Keep hands and clothing away from rotating fan and belts to prevent serious injury.

WARNING
Do not use the sub shift lever at "H" position when driving backward.

WARNING
Push the button to lock position with joystick lever is neutral whenever the implement is not operation.

WARNING
Stay clear of raised Boom and bucket.

DANGER
Start only from seat in park or neutral
Starting in gear kills.

WARNING
LOCK → UNLOCK
LOCK BUTTEN
Push the button to lock position with joystick lever is neutral whenever the implement is not operation.

WARNING
Stay clear of raised Boom and bucket.

CAUTION
Keep hands and clothing away from rotating fan and belts to prevent serious injury.

NOTE

| FIG 903-1 | | LABEL | | | | | 년/월 Year/Month | | |
|-----------|----|-------------|------------------------|-------------|------|-----|-------------------|----------------|---------|
| | | | | | | | 2022-12 | | |
| T395NHEU | | KEY NO | PART NO | DESCRIPTION | SPEC | QTY | REPAIR | EFFECTIVE DATE | REMARKS |
| 903-1 | 1 | 14726400010 | 막음썰(핸드브레이크) | | | 1 | | | |
| 903-1 | 4 | 12009100080 | 라벨, 경고/틸트 | | | 1 | | | |
| 903-1 | 5 | 12009100240 | 라벨, 주의/소음기 | | | 1 | | | |
| 903-1 | 7 | 12009100120 | 라벨, 주의/팬 | | | 1 | | | |
| 903-1 | 8 | 12009100150 | 라벨, 경고/라디에이터캡 | | | 1 | | | |
| 903-1 | 9 | 12009100230 | 라벨, 주의/취급 | | | 2 | | | |
| 903-1 | 10 | 12009100130 | 라벨, 위험/PTO | | | 1 | | | |
| 903-1 | 11 | 12009100010 | 라벨, 경고/부변속 | | | 1 | | | |
| 903-1 | 12 | 12009100030 | 라벨, 경고/배기가스 | | | 1 | | | |
| 903-1 | 13 | 12009100160 | 라벨, 위험/동승금지 | | | 1 | | | |
| 903-1 | 14 | 17689100170 | 라벨, 주의/안전 | | | 1 | | | |
| 903-1 | 15 | 12009100190 | 라벨, 경고/안전벨트 | | | 1 | | | |
| 903-1 | 16 | 12009100210 | 라벨, 경고/스로틀 | | | 1 | | | |
| 903-1 | 17 | 12009100050 | 라벨, 경고/화기염금 | | | 1 | | | |
| 903-1 | 18 | 17689200050 | 라벨, 취급/차동고정 | | | 1 | | | |
| 903-1 | 19 | 12009100060 | 라벨, 경고/차동고정 | | | 1 | | | |
| 903-1 | 20 | 12009100140 | 라벨, 경고/견인 | | | 1 | | | |
| 903-1 | 26 | 12009100070 | 라벨, 경고/브레이크 | | | 1 | | | |
| 903-1 | 29 | 13749010042 | 마크, T395 | | | 2 | | | |
| 903-1 | 29 | 13749010041 | 마크, T395 | | | 2 | | | |
| 903-1 | 35 | 12209045020 | 라벨(ROPS경고) | | | 1 | | | |
| 903-1 | 36 | 12209045010 | 라벨(ROPS위험) | | | 1 | | | |
| 903-1 | 37 | 17699100090 | 라벨, 경고/조이스틱 | | | 1 | | | |
| 903-1 | 38 | 17699100100 | 라벨, 경고/조이스틱밸브 | | | 1 | | | |
| 903-1 | 39 | 12519430040 | 4WD마크 | | | 1 | | | |
| 903-1 | 40 | 12009100040 | 라벨, 경고/스톱밸브 | | | 1 | | | |
| 903-1 | 45 | 12132442410 | 라벨(부변속) | | | 1 | | | |
| 903-1 | 46 | 14729020110 | 라벨(위험) | | | 1 | | | |
| 903-1 | 47 | 12209040030 | 라벨(로타리) | | | 2 | | | |
| 903-1 | 48 | 12609040620 | 경고(스타트) | | | 1 | | | |
| 903-1 | 50 | 14729040200 | 라벨(PTO레버) | | | 1 | | | |
| 903-1 | 52 | 12209045051 | 라벨, 경고/개조 | | | 1 | | | |
| 903-1 | 53 | 13749040690 | 형식마크(ROPS) | | | 1 | | | |
| 903-1 | 54 | 12519040230 | 드로바명판 | | | 1 | | | |
| 903-1 | 55 | 12519040190 | 명판(승강장치/상승) CONTROL ID | | | 1 | | | |
| 903-1 | 56 | 12519040200 | 명판(승강장치/하강) CONTROL ID | | | 1 | | | |
| 903-1 | 57 | 12519040920 | 라벨(보조유압/A) | | | 1 | | | |
| 903-1 | 58 | 15189030060 | 포트마크(A) | | | 1 | | | |
| 903-1 | 59 | 12519100130 | 라벨, 그리스 | | | 1 | | | |
| 903-1 | 60 | 12519100140 | 라벨, 잭포인트 | | | 1 | | | |
| 903-1 | 61 | 12137025120 | 라벨, 본넷 오픈 | | | 1 | | | |
| 903-1 | 62 | 12519100040 | 라벨(PTO, M+R) | | | 1 | | | |
| 903-1 | 63 | 15829040220 | 제조사 식별명판(EU) | | | 1 | | | |
| 903-1 | 64 | 12009040041 | 유압컨트롤마크 | | | 1 | | | |
| 903-1 | 65 | 12539040690 | 형식마크(ROPS) | | | 1 | | | FHEU |
| NOTE | | | | | | | | | |

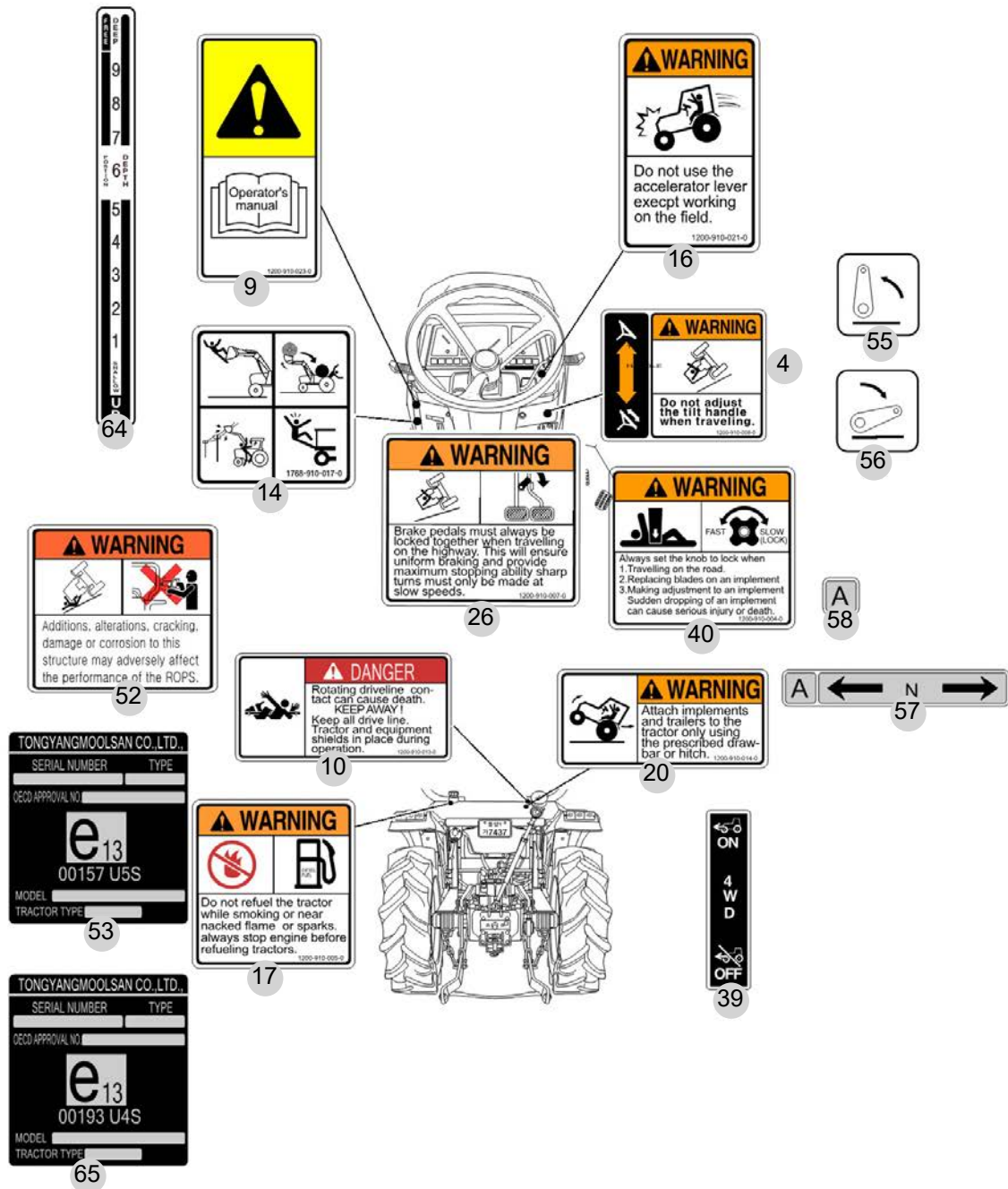
FIG 903-2

T395NHEU

LABEL

년/월
Year/Month

2022-12



NOTE

| FIG 903-2 | | LABEL | | | | | 년/월 | |
|-----------|---------|-------------|------------------------|-----|--------|----------------|------------|--|
| | | | | | | | Year/Month | |
| T395NHEU | | 2022-12 | | | | | | |
| KEY NO | PART NO | DESCRIPTION | SPEC | QTY | REPAIR | EFFECTIVE DATE | REMARKS | |
| 903-2 | 1 | 14726400010 | 막음씰(핸드브레이크) | | 1 | | | |
| 903-2 | 4 | 12009100080 | 라벨, 경고/틸트 | | 1 | | | |
| 903-2 | 5 | 12009100240 | 라벨, 주의/소음기 | | 1 | | | |
| 903-2 | 7 | 12009100120 | 라벨, 주의/팬 | | 1 | | | |
| 903-2 | 8 | 12009100150 | 라벨, 경고/라디에이터캡 | | 1 | | | |
| 903-2 | 9 | 12009100230 | 라벨, 주의/취급 | | 2 | | | |
| 903-2 | 10 | 12009100130 | 라벨, 위험/PTO | | 1 | | | |
| 903-2 | 11 | 12009100010 | 라벨, 경고/부변속 | | 1 | | | |
| 903-2 | 12 | 12009100030 | 라벨, 경고/배기가스 | | 1 | | | |
| 903-2 | 13 | 12009100160 | 라벨, 위험/동승금지 | | 1 | | | |
| 903-2 | 14 | 17689100170 | 라벨, 주의/안전 | | 1 | | | |
| 903-2 | 15 | 12009100190 | 라벨, 경고/안전벨트 | | 1 | | | |
| 903-2 | 16 | 12009100210 | 라벨, 경고/스로틀 | | 1 | | | |
| 903-2 | 17 | 12009100050 | 라벨, 경고/화기염금 | | 1 | | | |
| 903-2 | 18 | 17689200050 | 라벨, 취급/차동고정 | | 1 | | | |
| 903-2 | 19 | 12009100060 | 라벨, 경고/차동고정 | | 1 | | | |
| 903-2 | 20 | 12009100140 | 라벨, 경고/견인 | | 1 | | | |
| 903-2 | 26 | 12009100070 | 라벨, 경고/브레이크 | | 1 | | | |
| 903-2 | 29 | 13749010041 | 마크, T395 | | 2 | | | |
| 903-2 | 29 | 13749010042 | 마크, /T395 | | 2 | | | |
| 903-2 | 35 | 12209045020 | 라벨(ROPS경고) | | 1 | | | |
| 903-2 | 36 | 12209045010 | 라벨(ROPS위험) | | 1 | | | |
| 903-2 | 37 | 17699100090 | 라벨, 경고/조이스틱 | | 1 | | | |
| 903-2 | 38 | 17699100100 | 라벨, 경고/조이스틱밸브 | | 1 | | | |
| 903-2 | 39 | 12519430040 | 4WD마크 | | 1 | | | |
| 903-2 | 40 | 12009100040 | 라벨, 경고/스톱밸브 | | 1 | | | |
| 903-2 | 45 | 12132442410 | 라벨(부변속) | | 1 | | | |
| 903-2 | 46 | 14729020110 | 라벨(위험) | | 1 | | | |
| 903-2 | 47 | 12209040030 | 라벨(로타리) | | 2 | | | |
| 903-2 | 48 | 12609040620 | 경고(스타트) | | 1 | | | |
| 903-2 | 50 | 14729040200 | 라벨(PTO레버) | | 1 | | | |
| 903-2 | 52 | 12209045051 | 라벨, 경고/개조 | | 1 | | | |
| 903-2 | 53 | 13749040690 | 형식마크(ROPS) | | 1 | | | |
| 903-2 | 54 | 12519040230 | 드로바명판 | | 1 | | | |
| 903-2 | 55 | 12519040190 | 명판(승강장치/상승) CONTROL ID | | 1 | | | |
| 903-2 | 56 | 12519040200 | 명판(승강장치/하강) CONTROL ID | | 1 | | | |
| 903-2 | 57 | 12519040920 | 라벨(보조유압/A) | | 1 | | | |
| 903-2 | 58 | 15189030060 | 포트마크(A) | | 1 | | | |
| 903-2 | 59 | 12519100130 | 라벨, 그리스 | | 1 | | | |
| 903-2 | 60 | 12519100140 | 라벨, 잭포인트 | | 1 | | | |
| 903-2 | 61 | 12137025120 | 라벨, 본넷 오픈 | | 1 | | | |
| 903-2 | 62 | 12519100040 | 라벨(PTO, M+R) | | 1 | | | |
| 903-2 | 63 | 15829040220 | 제조사 식별명판(EU) | | 1 | | | |
| 903-2 | 63 | T0019110060 | 형식명판, 수출/EU | | 1 | | | |
| 903-2 | 64 | 12009040041 | 유압컨트롤마크 | | 1 | | | |
| NOTE | | | | | | | | |

