

F36HN_EU_FL(AC02130) TRACTOR

Parts Catalogue



CONTENTS

GROUP NO	GROUP NAME	PAGE
G. ENGINE		
A01_004	CYLINDER BLOCK	5
A02_005	DRIVE PULLY	7
A03_002	CRANK SHAFT PULLEY	9
A04_004	GLOW PLUG ASS'Y OPTION	11
A05_003	CRANK SHAFT ASS'Y OPTION	13
A06_002	BREATHER OPTION	15
A07_002	CAMSHAFT	17
A08_003	ALTERNATOR	19
A09_003	COOLING WATER PUMP	21
A10_003	COOLING FAN SPACER	23
A11_005	INJECTOR	25
A12_006	FUEL INJECTON	27
A13_002	PLUMBING, FUEL	29
A14_001	FUEL FILTER BRACKET	31
A16_018	FUEL FILTER ASS'Y OPTION	33
A17_005	INTAKE MANIFOLD ASS'Y OPTION	35
A18_005	FLYWHEEL	37
A19_005	FLYWHEEL HOUSING	39
A20_007	HEAD, CYLINDER	41
A21_002	HEAD COVER	43
A23_003	TURBOCHARGER SUPPORT ASS'Y OPTION	45
A26_001	COOLER, ENGINE OIL	47
A27_004	OIL PAN ASS'Y OPTION	49
A28_001	PUMP, LUBRICATING OIL	51
A29_005	FILTER, LUBRICATING OIL	53
A30_003	FRONT GEAR ACCESSORY DRIVE	55
A31_003	PISTON	57
A32_002	LEVER, LOCKER	59
A33_006	EXHAUST MANIFOLD	61
A35_002	IDLE GEAR	63
A36_002	COVER, FRONT GEAR	65
A38_004	GAUGE, OIL LEVEL	67
A39_001	OIL FILLER CAP	69
A40_003	LIFT ASS'Y OPTION	71

CONTENTS

GROUP NO	GROUP NAME	PAGE
G. ENGINE		
A42_003	MOTER, STARTIONS	73
A43_001	DPF SUPPORT OPTION	75
A44_003	DPF MOUNTING OPTION	77
A45_011	DPF	79
A48_006	V-BELT	81
B. ENGINE ACCESSORIES		
B01010A	FUEL TANK	83
B02020A	RADIATOR	85
B03010A	AIR CLEANER	87
B05011	LEVER ACCELERATOR	89
C. CLUTCH, BREAK, LEVER		
C02010	BRAKE PEDAL	91
C02050	PARKING BRAKE	93
C03010	HYD SHIFT TRANSMISSION PEDAL	95
C04040	DIFFERENTIAL	98
C04060	SCV LEVER	100
D. HYDRAULIC		
D01010A	HYD PUMP	103
D01020A	LOW PRESSURE PIPE	105
D01040	HYD FILTER	107
D02010	STEERING COLUMN	109
D02030	P.S.T HOSE	111
D02040A	P.S.T CYLINDER	113
D03010	OIL COOLER	115
E. FRONT AXLE		
E01010A	FRONT AXLE CASE	117
E01013	SPACER	119
E01030A	GEAR CASE, FRONT AXLE	121
E01070A	RING GEAR, DRIVEN GEAR	124
E01080A	TIE ROAD	126
F. TRANSMISSION		
F01010	CLUTCH HOUSING	128
F01020	TRANSMISSION CASE	130
F01030	REAR AXLE HOUSING	132

CONTENTS

GROUP NO	GROUP NAME	PAGE
F. TRANSMISSION		
F01050	HYD SHIFT TRANSMISSION HOUSING	135
F03040	RANGE SHIFT GEAR	137
F04010	FORNT DRIVE SHAFT	139
F05020	RING GEAR&DIFF.GEAR ASS'Y	141
F05020	RING GEAR&DIFF.GEAR ASS'Y	143
F07030	PTO DRIVE SHAFT	145
F07070	MAIN P.T.O SHAFT	147
F08060	FORK & LEVER, PTO	149
F10010	CASE, HYD CYLINDER	151
F10020	LIFT ARM	153
F10030	SAFETY VALVE	155
F10040	STOP VALVE	157
F10061	DRAFT/POSITION CONTROL LEVER	159
F10063	DRAFT CONTROL LEVER	161
F10064	POSITION CONTROL LEVER	163
F11020	LEVER ASS'Y, RANGE SHIFT	165
F11080	4WD LEVER	167
G. SHEET METAL, CABIN		
G01020	BONNET	169
G01021	BONNET URETHANE	171
G01040	LOCKING ASS'Y, BONNET	173
G01060A	FIXED BRACKET, BONNET	175
G01080	FRONT AXLE BRACKET	177
G04060	FOOT REST ASS'Y	179
G04070	SEAT	181
G04090	FENDER	183
G04120	ROPS FRAME ASS'Y	185
G05010	TOP LINK, LIFT LINK	188
G05030	LOWER LINK	190
G05070	DRAWBAR HITCH	192
H. ELECTRICALS, HARNESS		
H01030	BATTERY	194
H03000A	HARNESS	196
H04051	SWITCH/DASHBOARD	198

CONTENTS

GROUP NO	GROUP NAME	PAGE
I. WEIGHT, TOOLS, TIRE		
I01010	FRONT WEIGHT	200
I03000A	NAME PLATE	202
I05010	FRONT WHEEL&TIRE(AGRI)	204
I05020	REAR WHEEL&TIRE(AGRI)	206
I06010	SUN VISOR	208
I07020	SPARE TOOLS	210

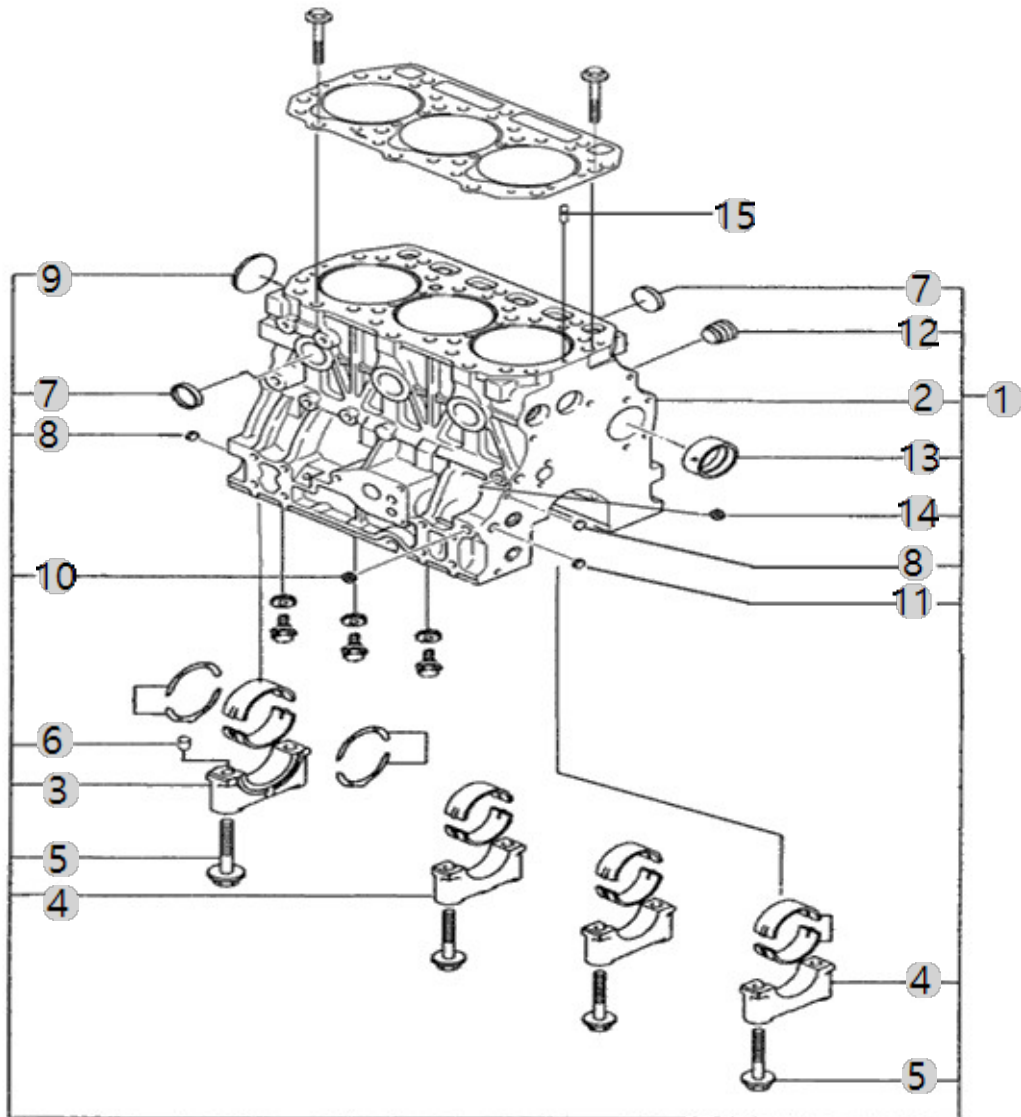
A01_004

A1700N4-ETR_5
(AB00324)

CYLINDER BLOCK

Year/Month

2023-01-17



A01_004 A1700N4-ETR_5 (AB00324)		CYLINDER BLOCK				Year/Month 2023-01-17
순번 (NO)	부품번호 (PART NO)	품명 (PART NAME)	품명 (PART NAME)	수량 (QTY)	규격 (SPEC)	비고 (REMARK)
1	EA00004722A	실린더블록조합	BLOCK,CYLINDER	1		
1	EA00004722B	실린더블록조합	BLOCK,CYLINDER	1		
2	HRD0103101D	실린더블록		1		
2	HRD0103101B	실린더블록		1		
2	HRD0103101E	실린더블록		1		
2	HRD0103101C	실린더블록	BLOCK, CYLINDER	1		
3	HRA0100102B3	베어링캡(1)	CAP,MAIN BEARING	1		
4	HRA0100103B3	베어링캡(2)	CAP,MAIN BEARING	3		
5	HRA0100104B4	볼트(베어링캡)	SCREW,HEX FLANGE HEAD CAP	8	M12X1.5	
5	HRA0100104A4	볼트(베어링캡)	SCREW,HEXFLANGEHEADCAP	8	M12X1.5X75	
6	22351-030010	스프링핀	PIN, SPRING (3-01)	1	D3X10	
7	27241-300000	캡형플러그 30	PLUG (D30)	6	D30XT1.6	
8	HRA0100108A4	576,ALL,플러그12	PLUG,EXPANSION	3		
9	27231-500000	접시형플러그 50	PLUG,EXPANSION	1	D50XT2.0	
10	23871-020000	테이퍼플러그(PT1/4)	Plug, Pipe	2	PT1/4	
11	HRA0201100A4	노크핀	PIN,GUIDE	2		
12	HM23030000A4	플러그(블록히터)	PLUG	1	NPTF1"	
13	HRU0100105A3	부시(캠축)	BUSH, CAM SHAFT	1		
14	23871-010000	테이퍼플러그	PLUG	1	PT1/8	
15	HRA0100800A4	핀(오일)	PIN,OIL	1		

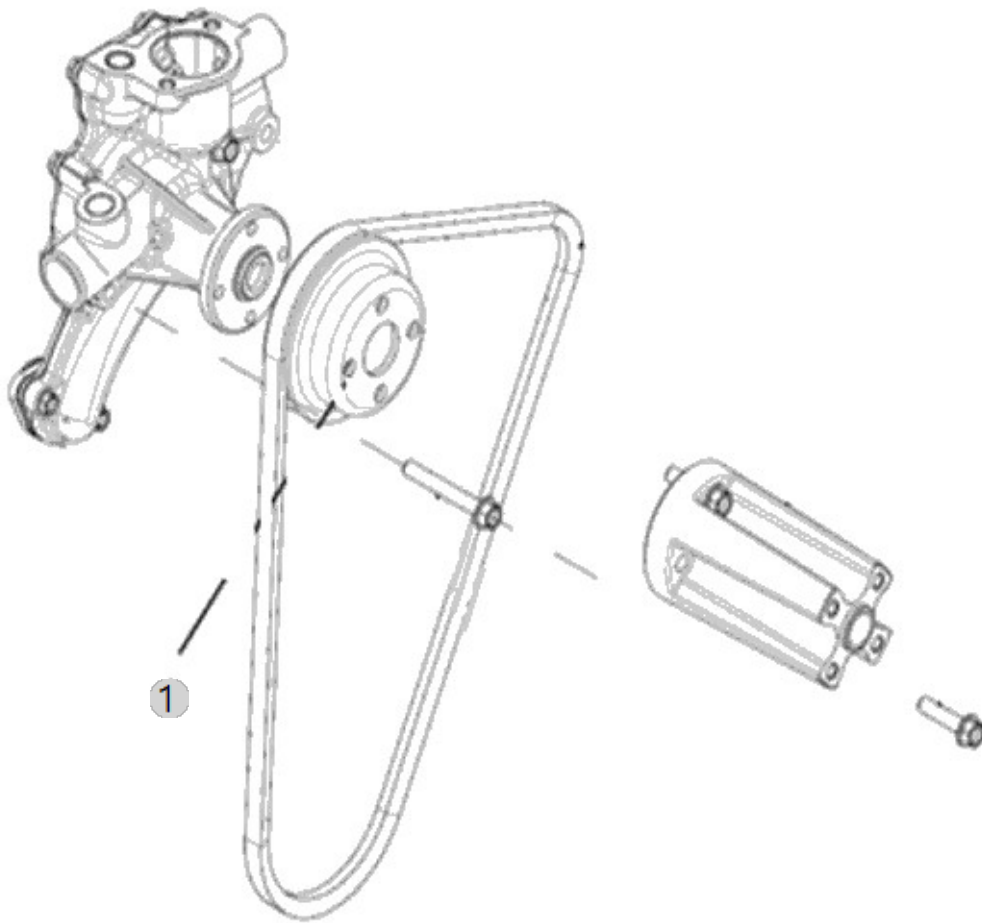
A02_005

A1700N4-ETR_5
(AB00324)

DRIVE PULLY

Year/Month

2023-01-17



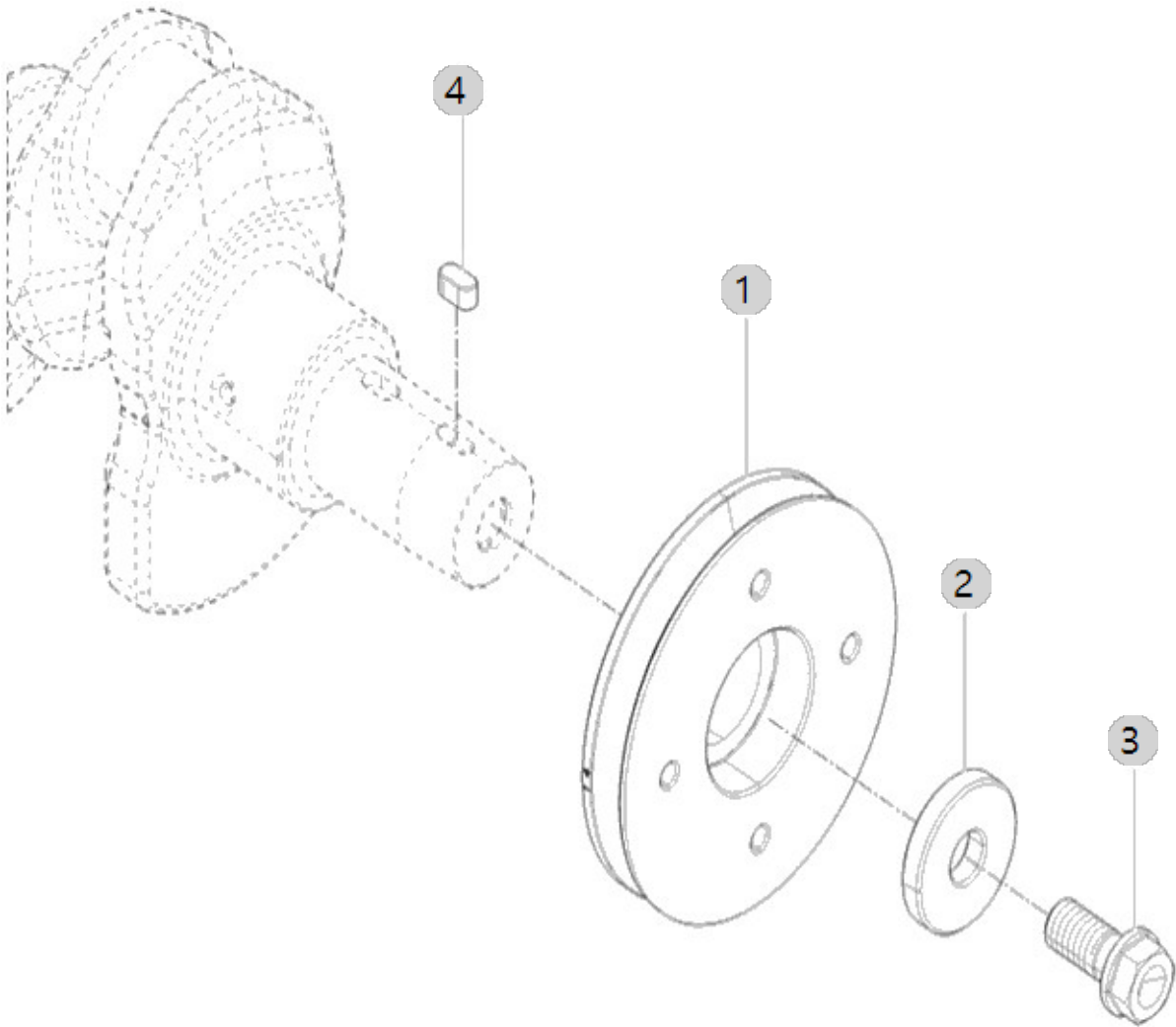
A03_002

A1700N4-ETR_5
(AB00324)

CRANK SHAFT PULLEY

Year/Month

2023-01-17



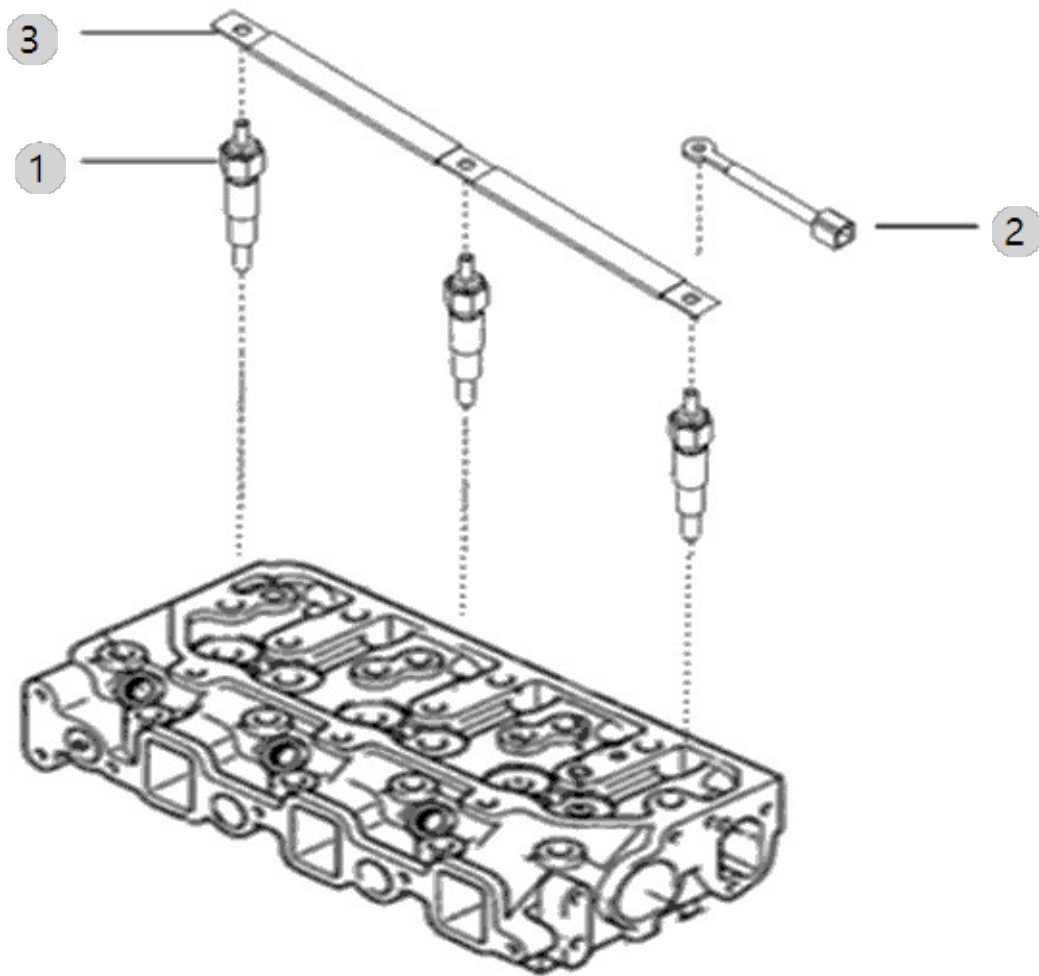
A04_004

A1700N4-ETR_5
(AB00324)

GLOW PLUG ASS'Y OPTION

Year/Month

2023-01-17



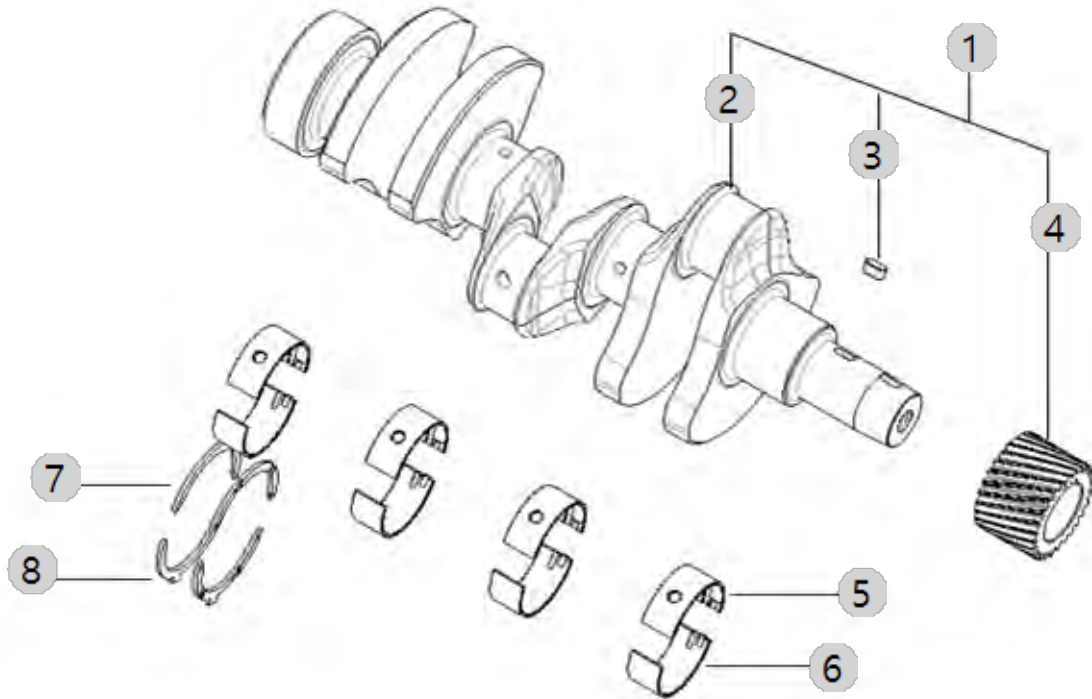
A05_003

A1700N4-ETR_5
(AB00324)

CRANK SHAFT ASS'Y OPTION

Year/Month

2023-01-17



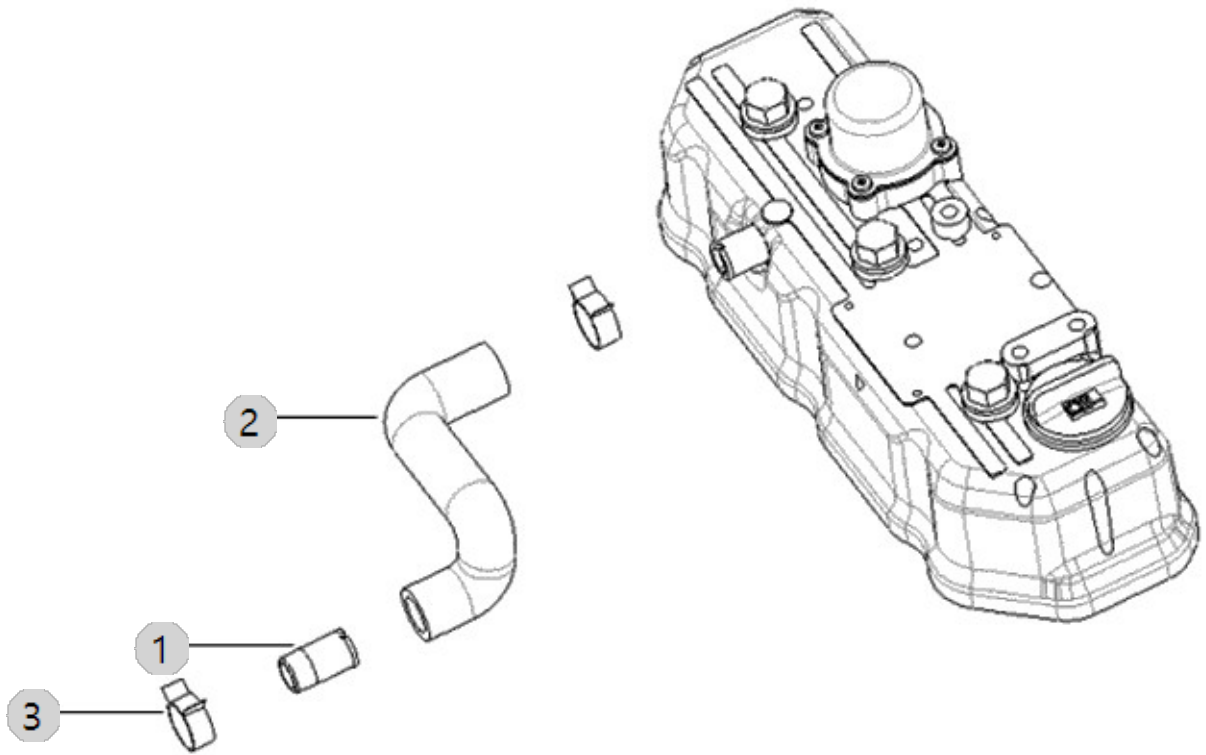
A06_002

A1700N4-ETR_5
(AB00324)

BREATHER OPTION

Year/Month

2023-01-17



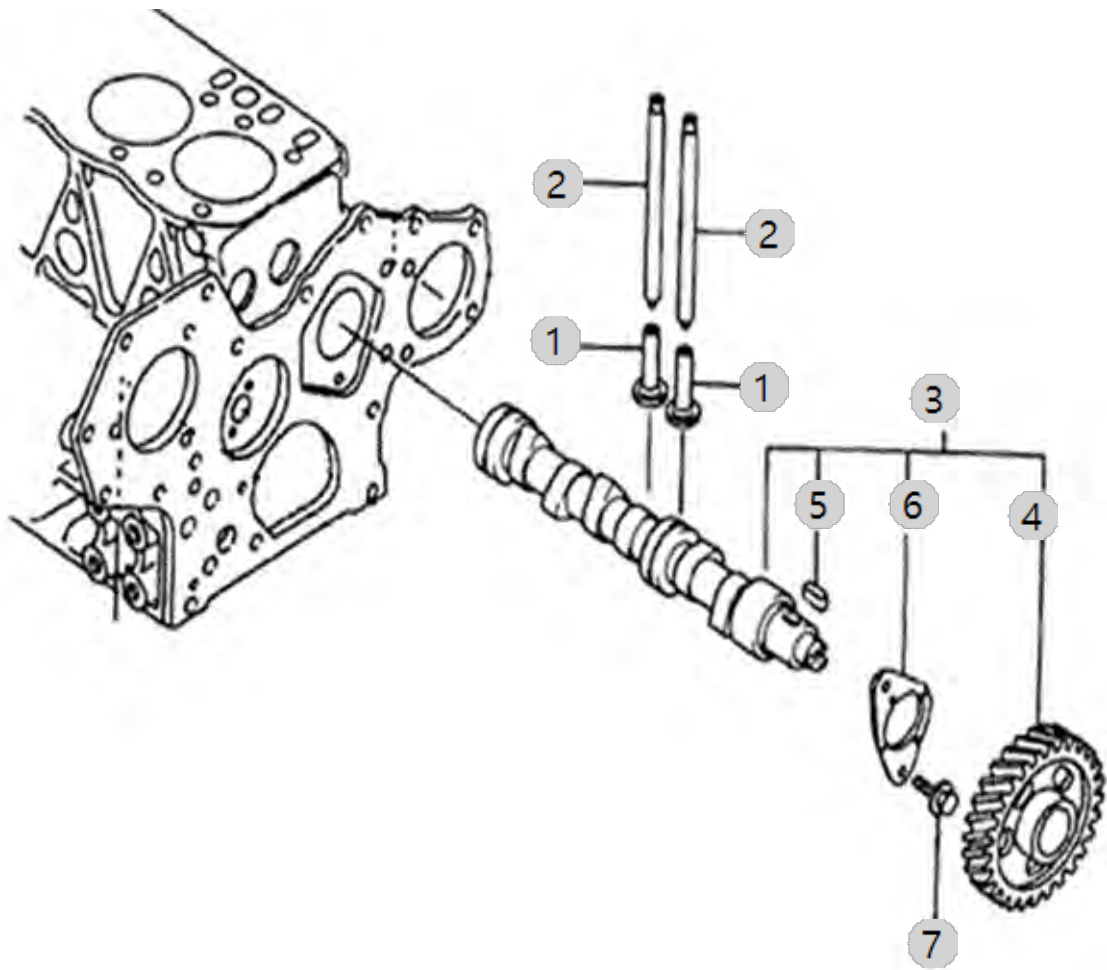
A07_002

A1700N4-ETR_5
(AB00324)

CAMSHAFT

Year/Month

2023-01-17



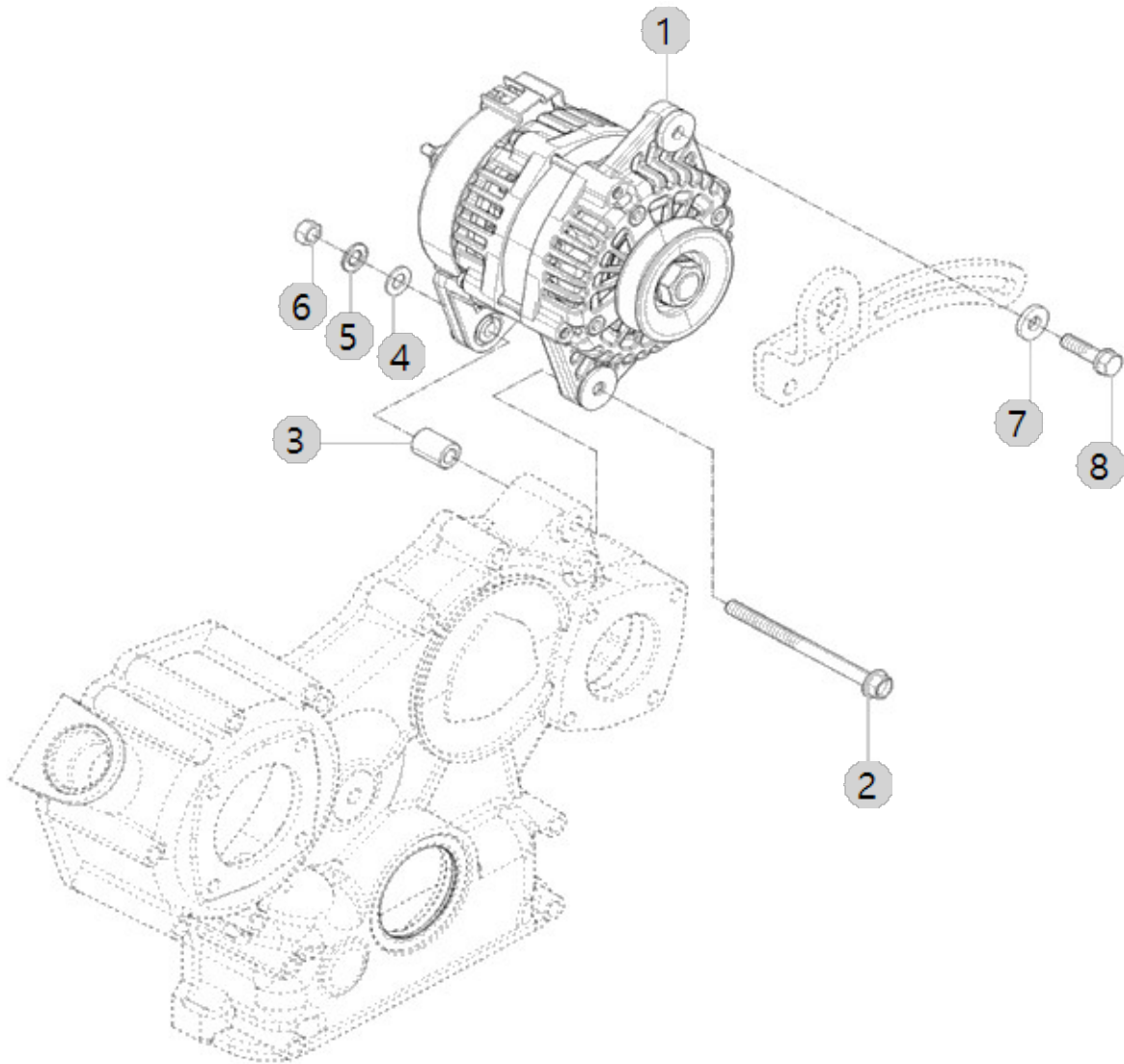
A08_003

A1700N4-ETR_5
(AB00324)

ALTERNATOR

Year/Month

2023-01-17



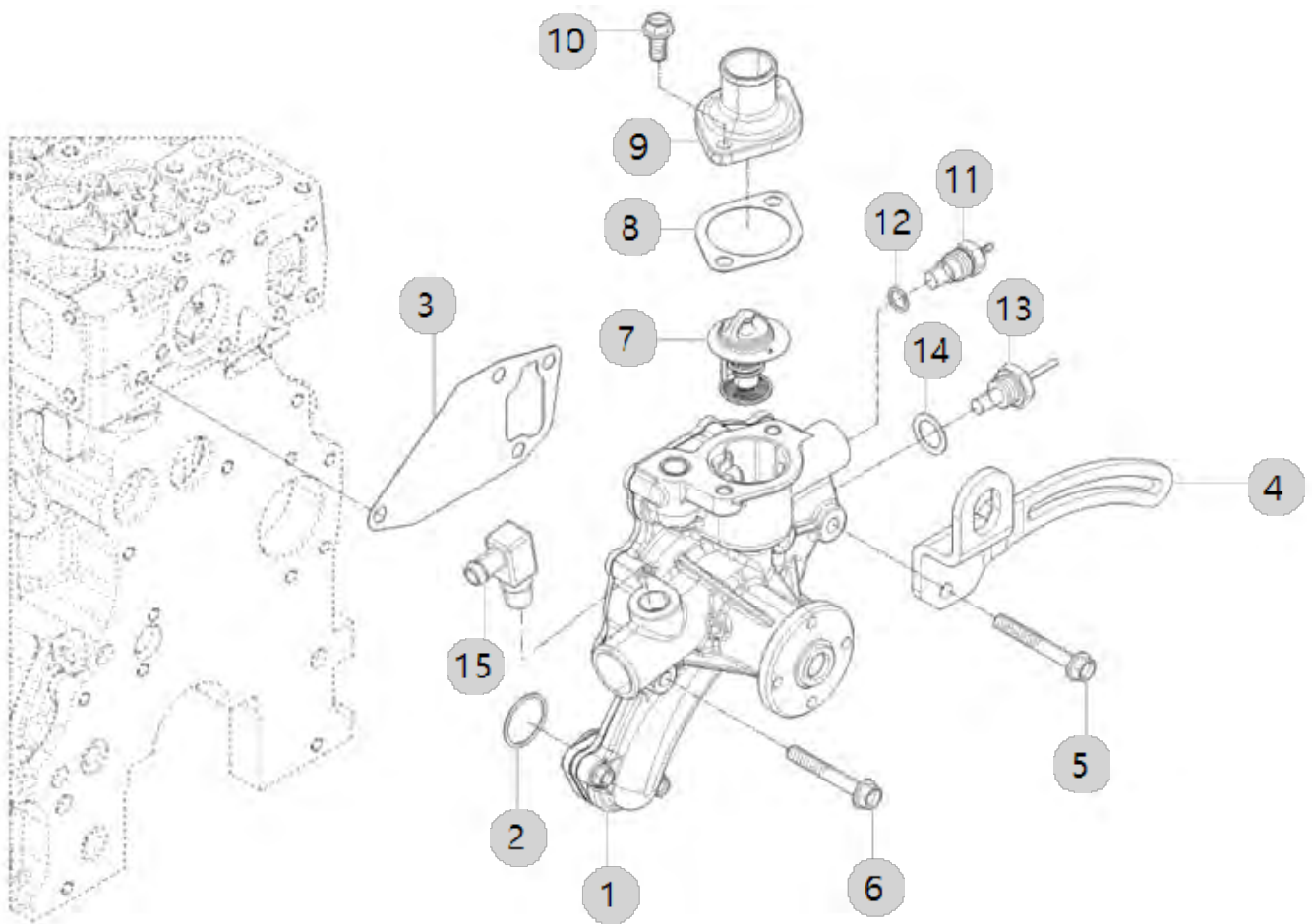
A09_003

A1700N4-ETR_5
(AB00324)

COOLING WATER PUMP

Year/Month

2023-01-17



A09_003 A1700N4-ETR_5 (AB00324)		COOLING WATER PUMP				Year/Month 2023-01-17
순번 (NO)	부품번호 (PART NO)	품명 (PART NAME)	품명 (PART NAME)	수량 (QTY)	규격 (SPEC)	비고 (REMARK)
1	EA00006114B	냉각수펌프조합	WATER PUMP ASS'Y	1		
1	EA00006114A	냉각수펌프조합	WATER PUMP ASS'Y	1		
2	24341-000280	446,ALLO-링S-28	O-RING, FIX (Φ28)	1	S28	
3	HRA1200200A3	냉각수 펌프 가스켓	GASKET,WATERPUMP	1	T0.5	
3	HRA1200200B3	패킹(CWP커버외측)	GASKET, WATER PUMP	1	T0.5	
4	EA00004306A	벨트조정브래킷	BRACKET, ALTERNATOR	1	T6.0	
4	EA00004306B	벨트조정브래킷	BRACKET, ALTERNATOR	1	T6.0	
5	26106-080602	육각플랜지볼트	SCREW,HEXFLANGEHEADCAP	1	M8XP1.25X60	
6	26106-080552	육각플랜지볼트	HEX FLANGE BOLT (D80)	3	M8XP1.25X55	
7	HK10030000A3	260,ALL,서모스탯	THERMOSTAT	1		
8	HA10670000B4	서모스탯 커버 가스켓	GASKET,THERMOSTAT	1	T0.5	
8	HA10670000C4	커버패킹	GASKET,WATER PUMP	1	T0.5	
9	HC09160000B4	커버(서머스타트)	COVER, THERMOSTAT	1		
10	26106-080182	444,ALL,플랜지볼트	SCREW,HEXFLANGEHEADCAP	2		
11	HH12190000A3	수온센서	WATER TEMP SENSOR	1		
12	23414-100014	동패킹	PACKING,COPPER	1	M10	
13	HH12210000A3	센서(에어히터)	SENSOR	1		
14	23414-160000	동패킹	WASHER,SEALING	1	M16	
15	CEE2080000A4	90도엘보3/8-12.6	ELBOW,PLAINUNION	1		

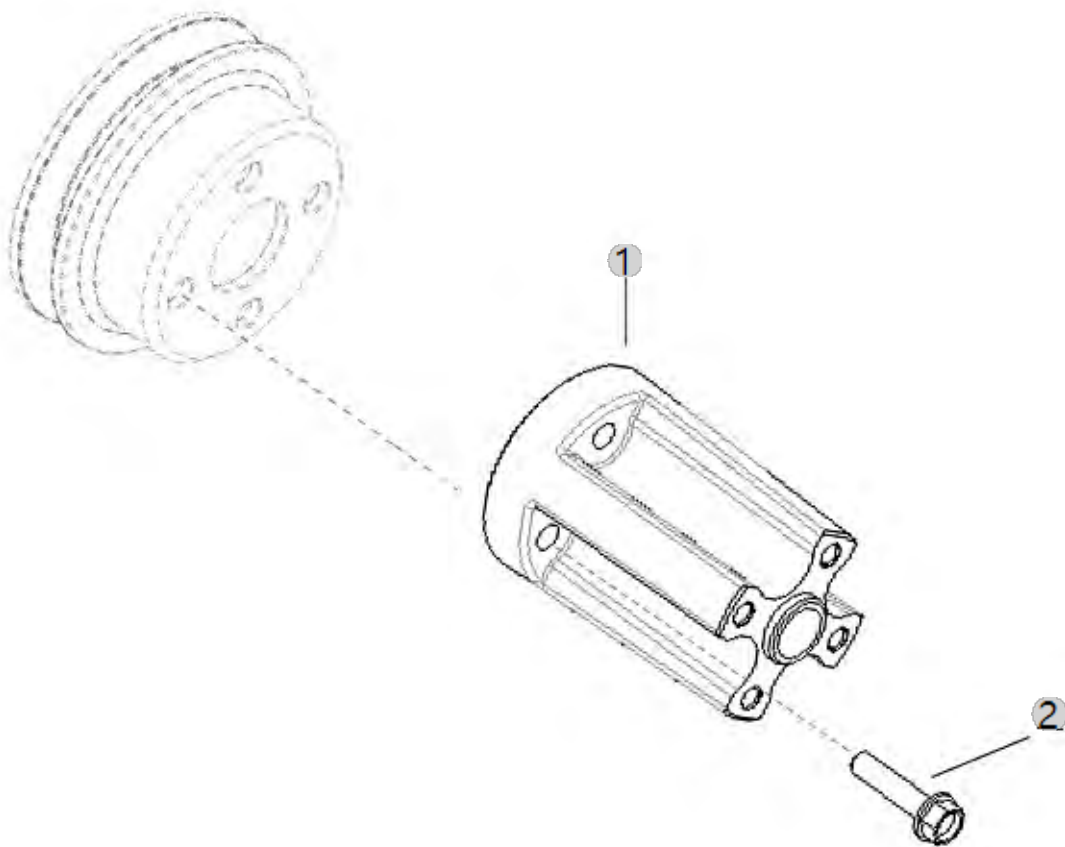
A10_003

A1700N4-ETR_5
(AB00324)

COOLING FAN SPACER

Year/Month

2023-01-17



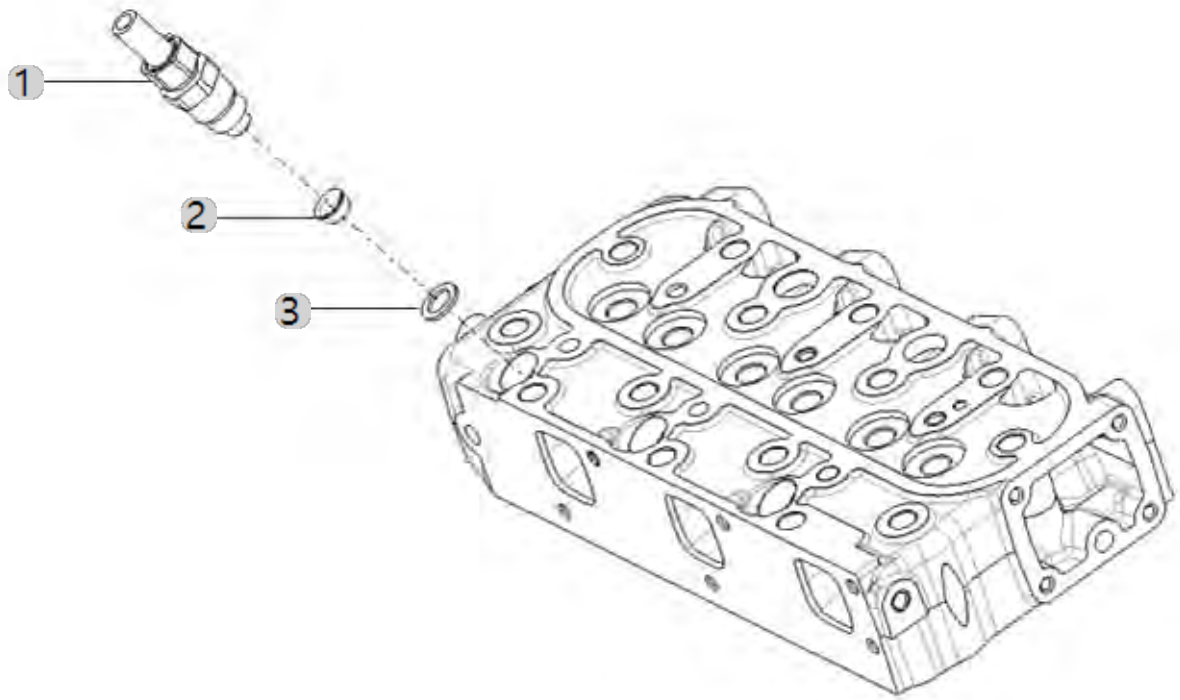
A11_005

A1700N4-ETR_5
(AB00324)

INJECTOR

Year/Month

2023-01-17



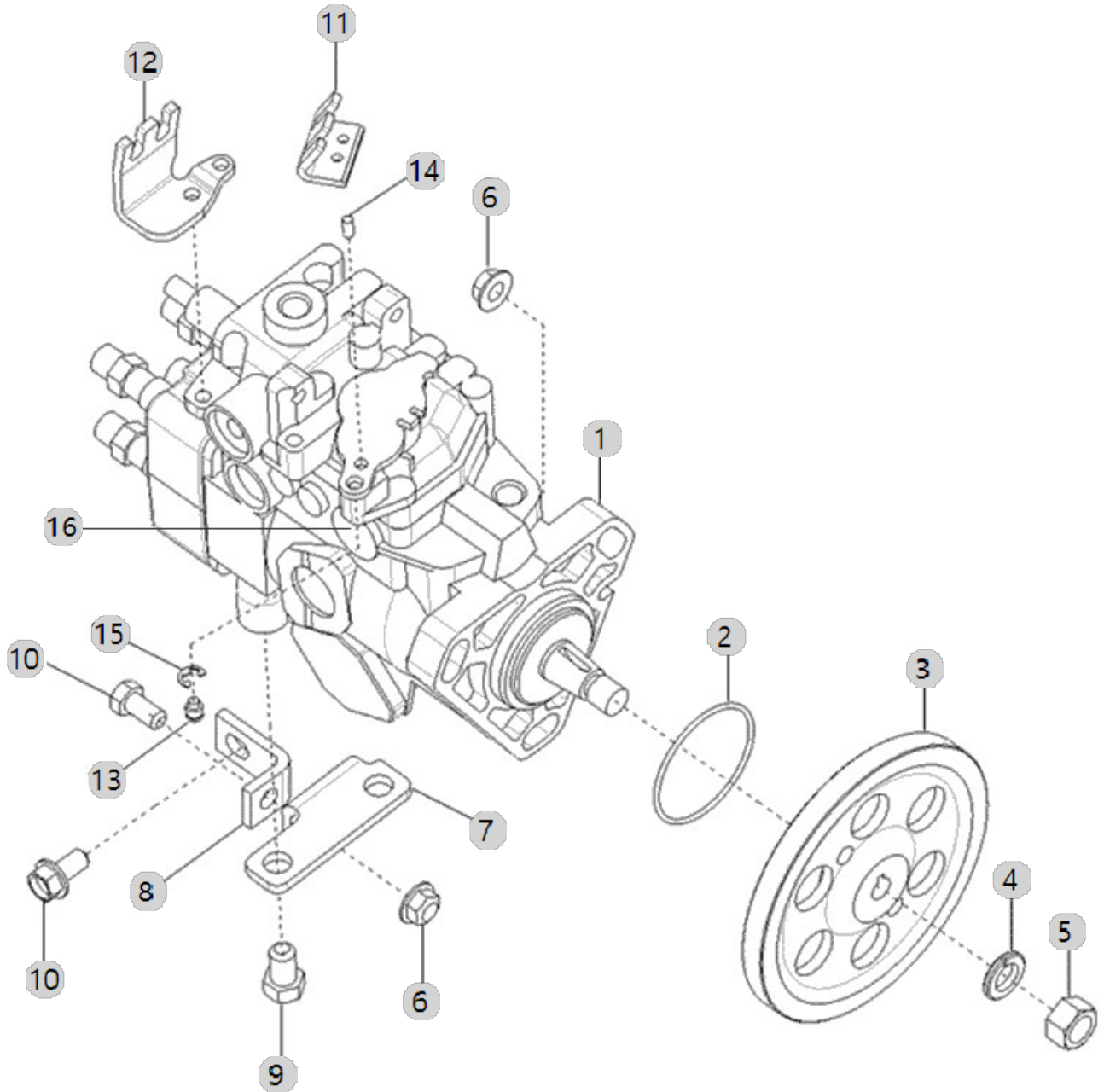
A12_006

A1700N4-ETR_5
(AB00324)

FUEL INJECTOR

Year/Month

2023-01-17



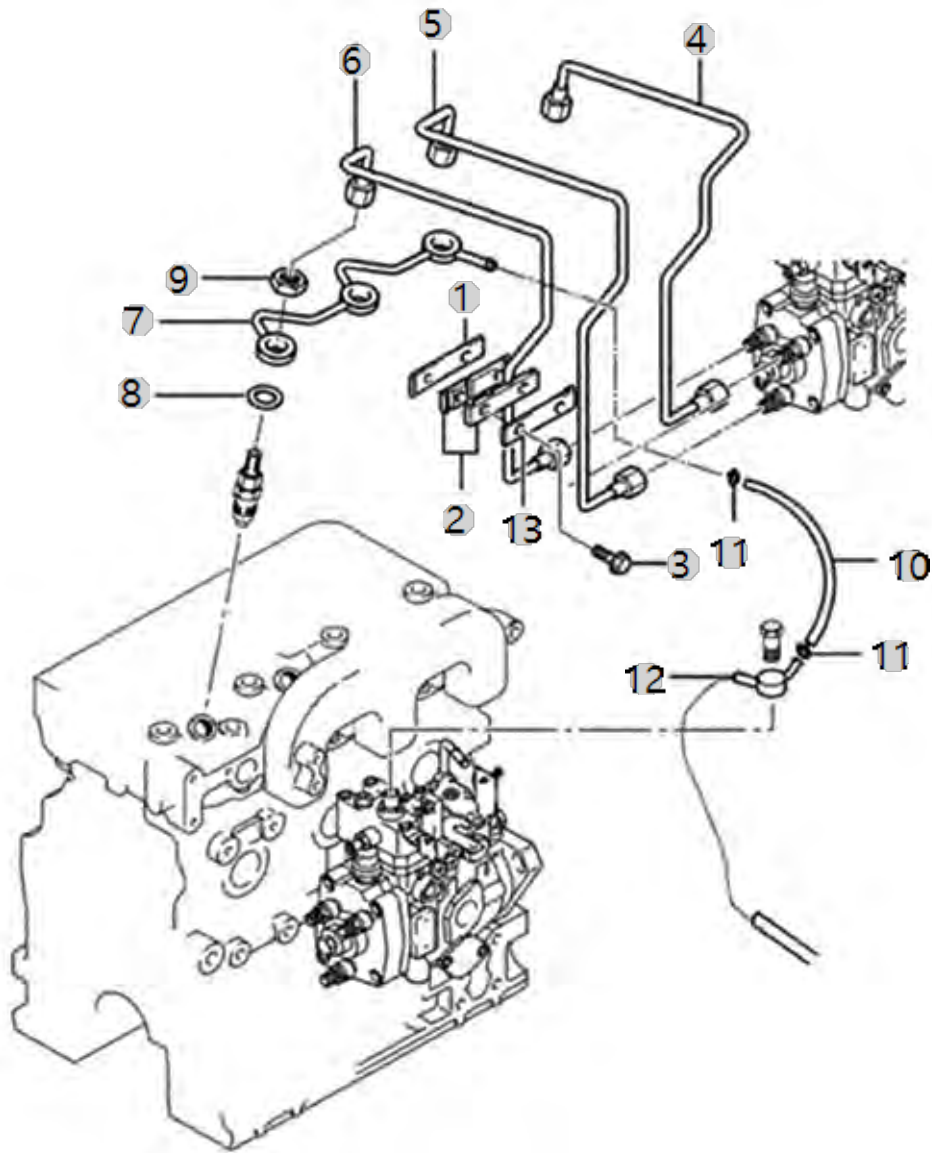
A13_002

A1700N4-ETR_5
(AB00324)

PLUMBING, FUEL

Year/Month

2023-01-17



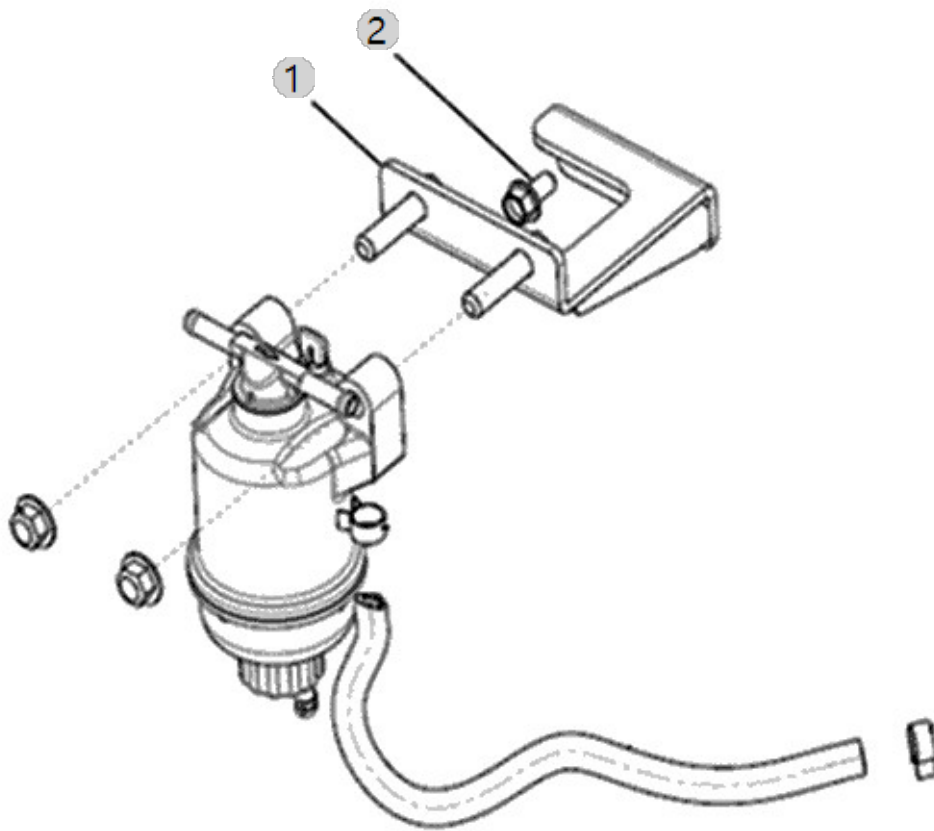
A14_001

A1700N4-ETR_5
(AB00324)

FUEL FILTER BRACKET

Year/Month

2023-01-17



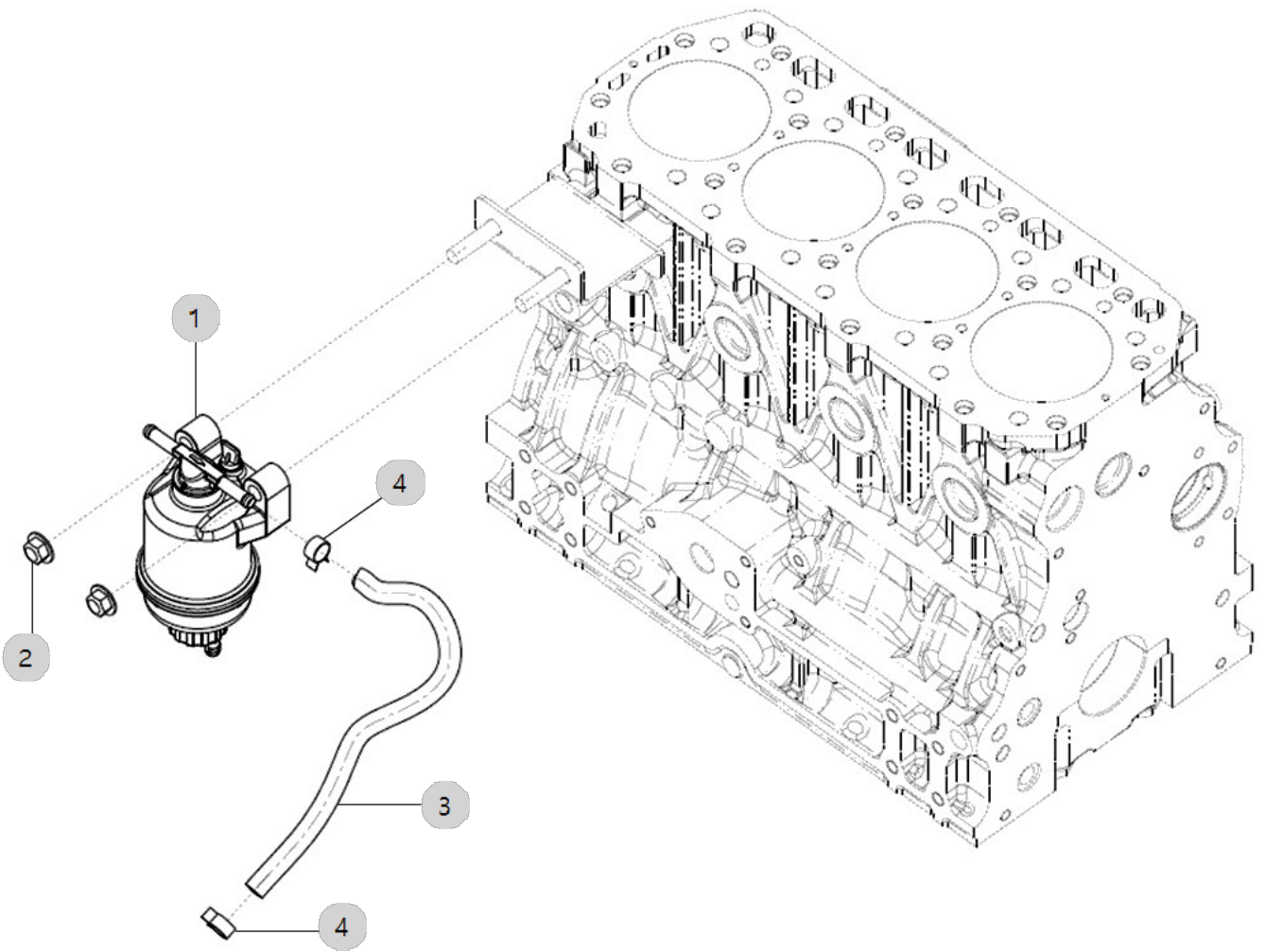
A16_018

A1700N4-ETR_5
(AB00324)

FUEL FILTER ASS'Y OPTION

Year/Month

2023-01-17



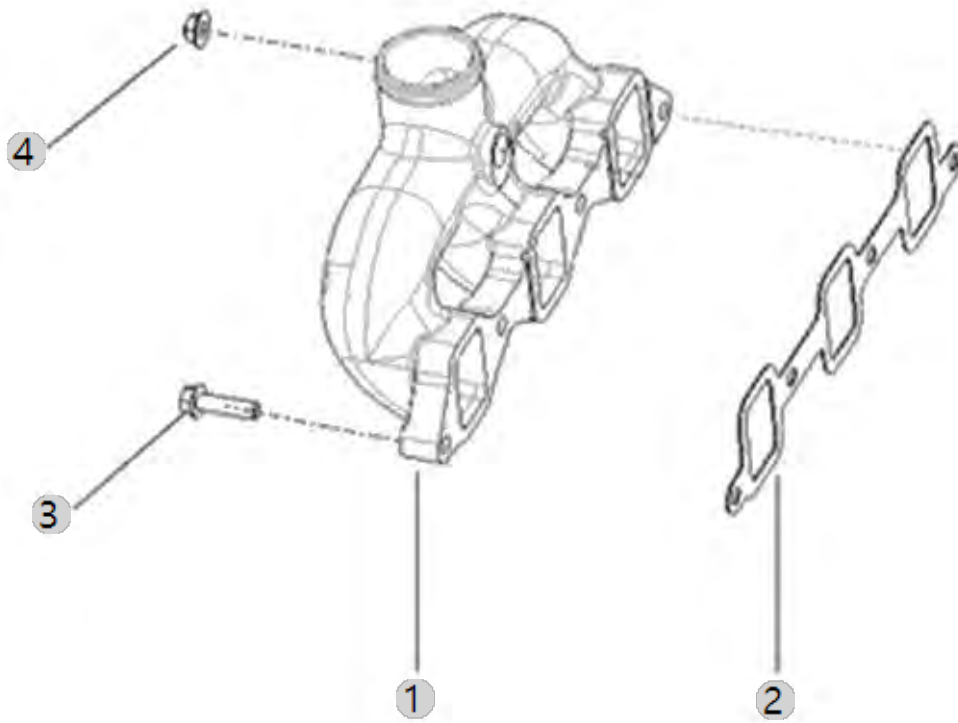
A17_005

A1700N4-ETR_5
(AB00324)

INTAKE MANIFOLD ASS'Y OPTION

Year/Month

2023-01-17



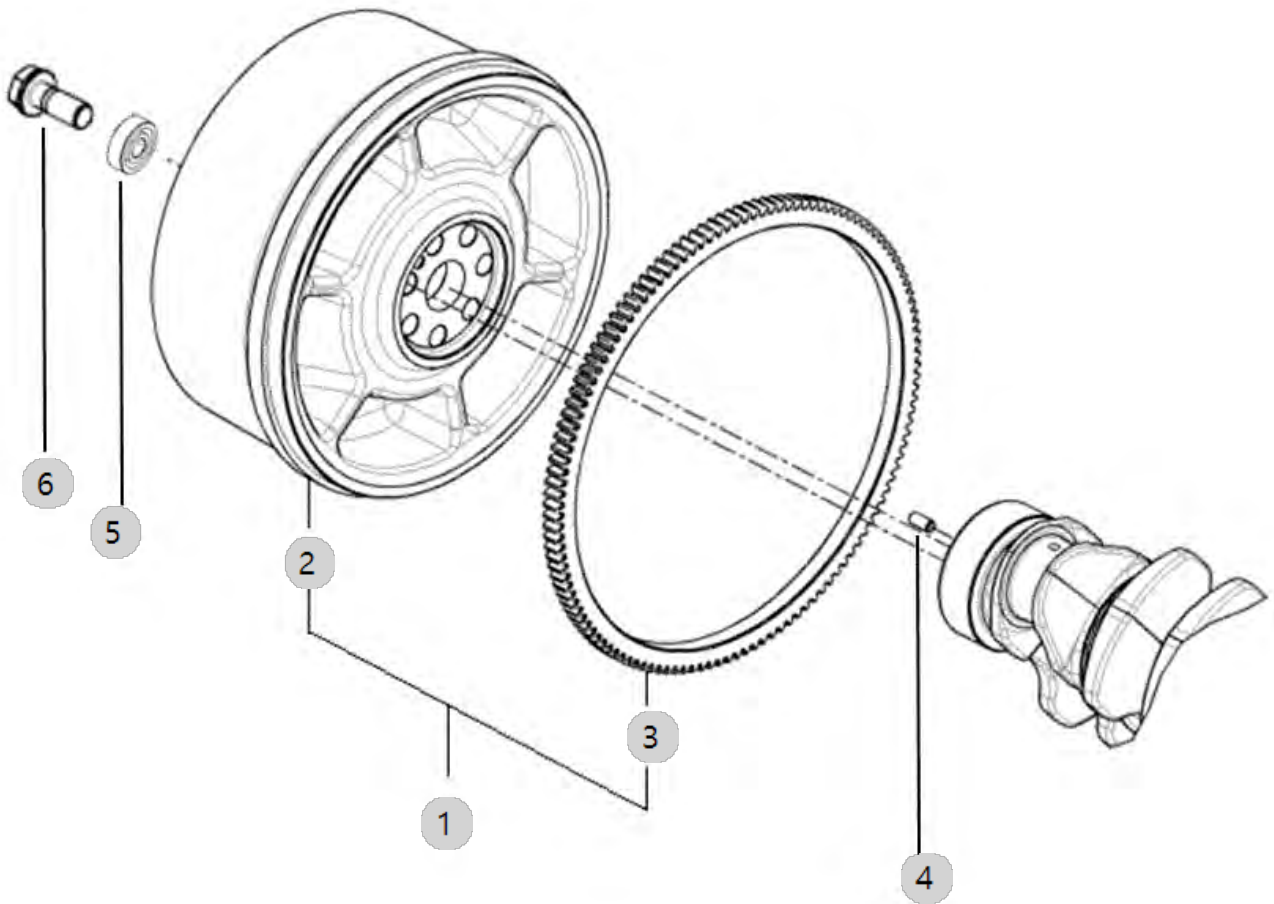
A18_005

A1700N4-ETR_5
(AB00324)

FLYWHEEL

Year/Month

2023-01-17



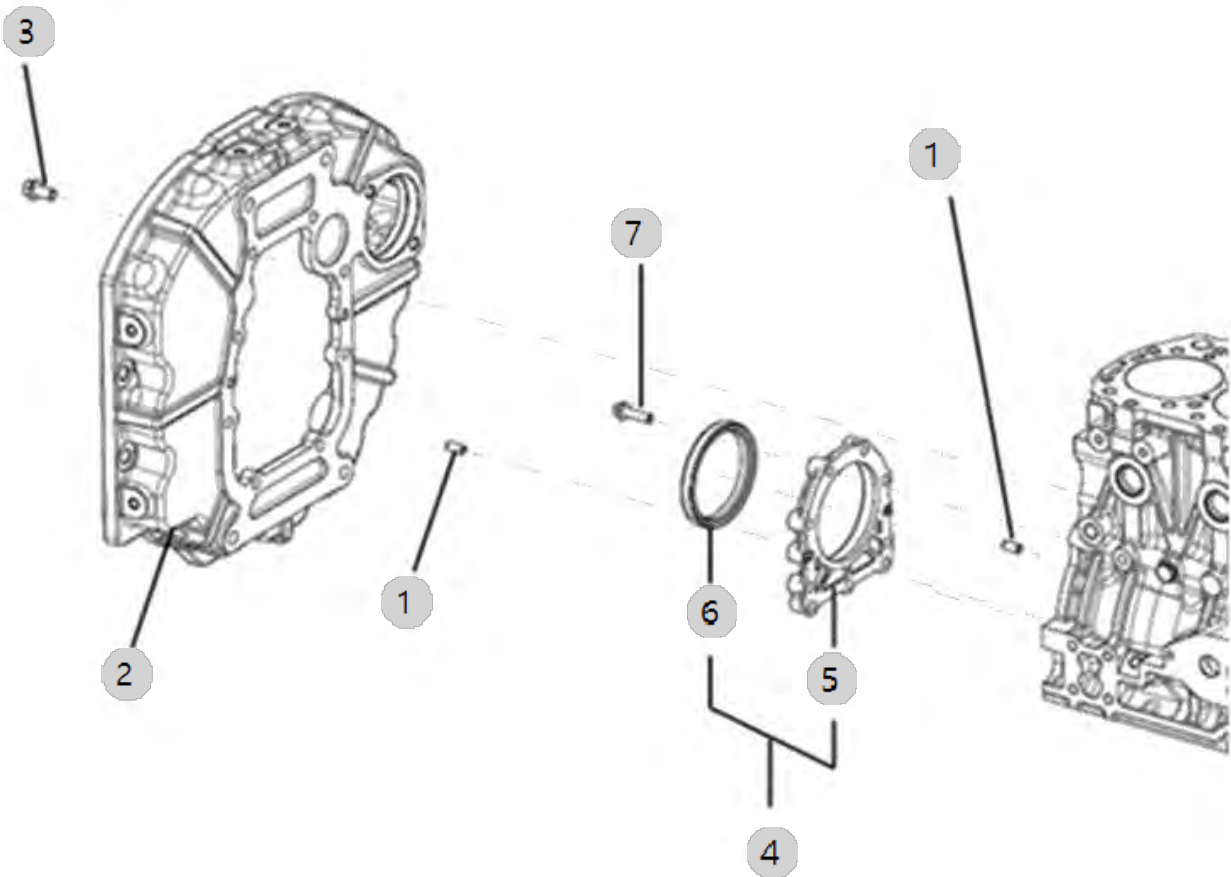
A19_005

A1700N4-ETR_5
(AB00324)

FLYWHEEL HOUSING

Year/Month

2023-01-17



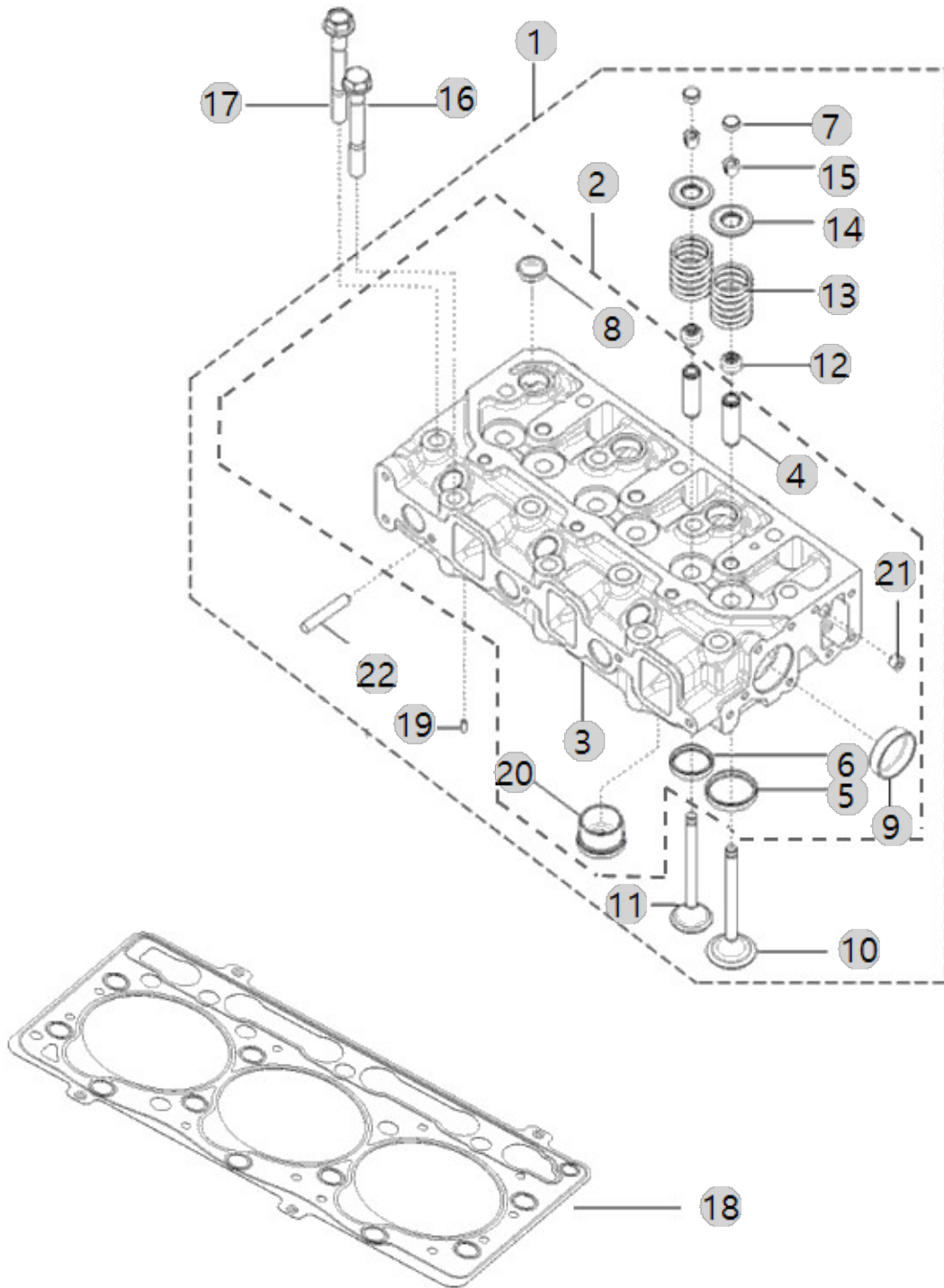
A20_007

A1700N4-ETR_5
(AB00324)

HEAD, CYLINDER

Year/Month

2023-01-17



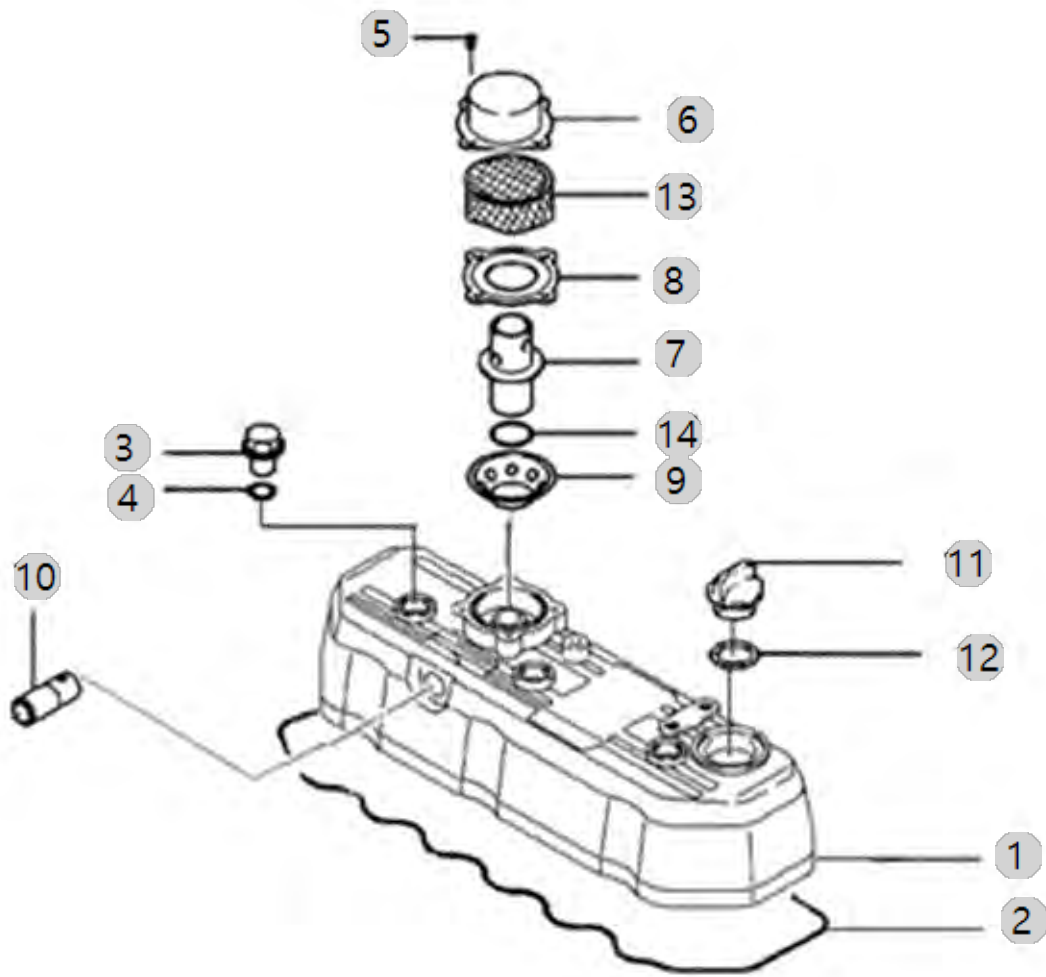
A21_002

A1700N4-ETR_5
(AB00324)

HEAD COVER

Year/Month

2023-01-17



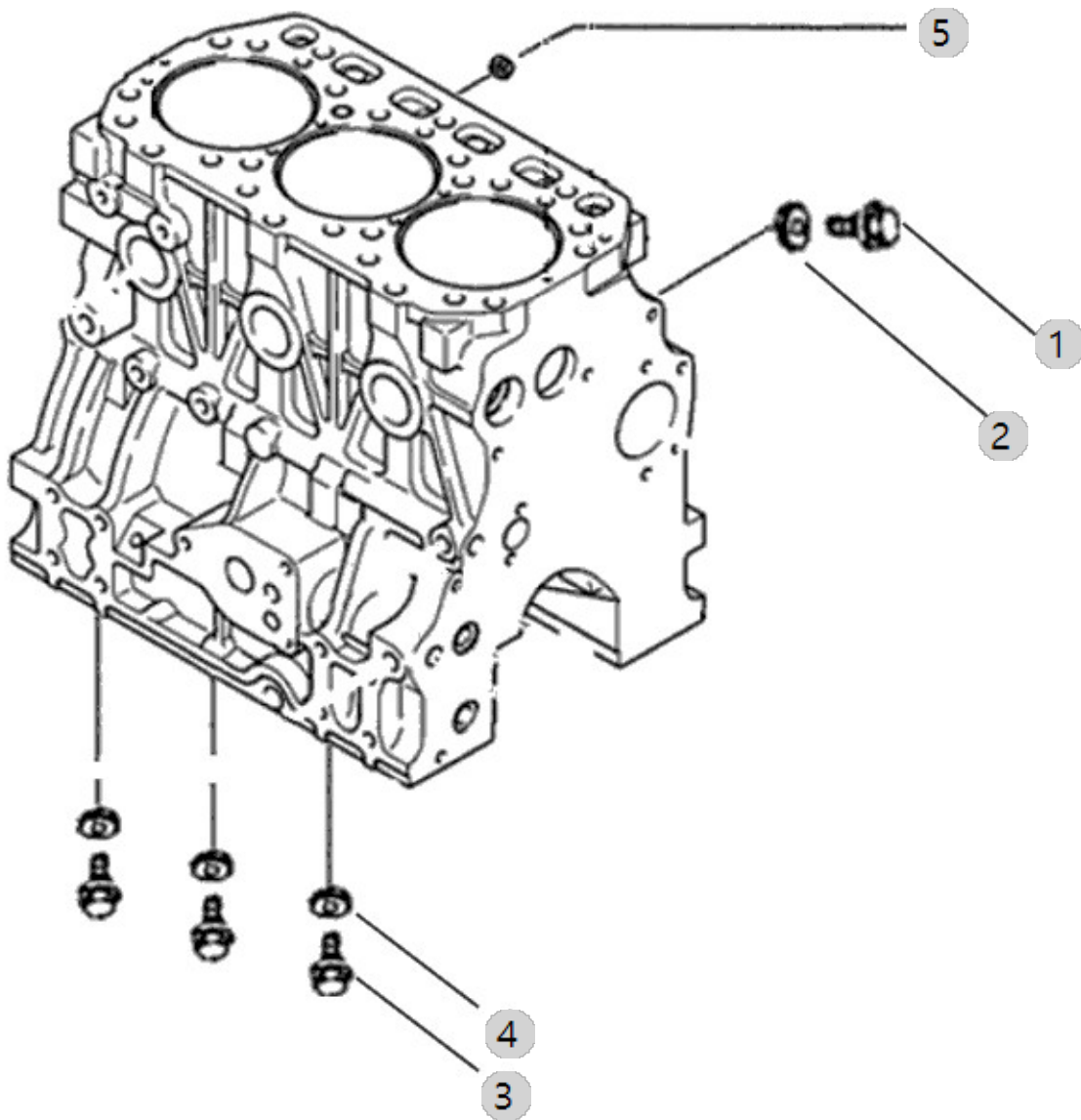
A23_003

A1700N4-ETR_5
(AB00324)

TURBOCHARGER SUPPORT ASS'Y OPTION

Year/Month

2023-01-17



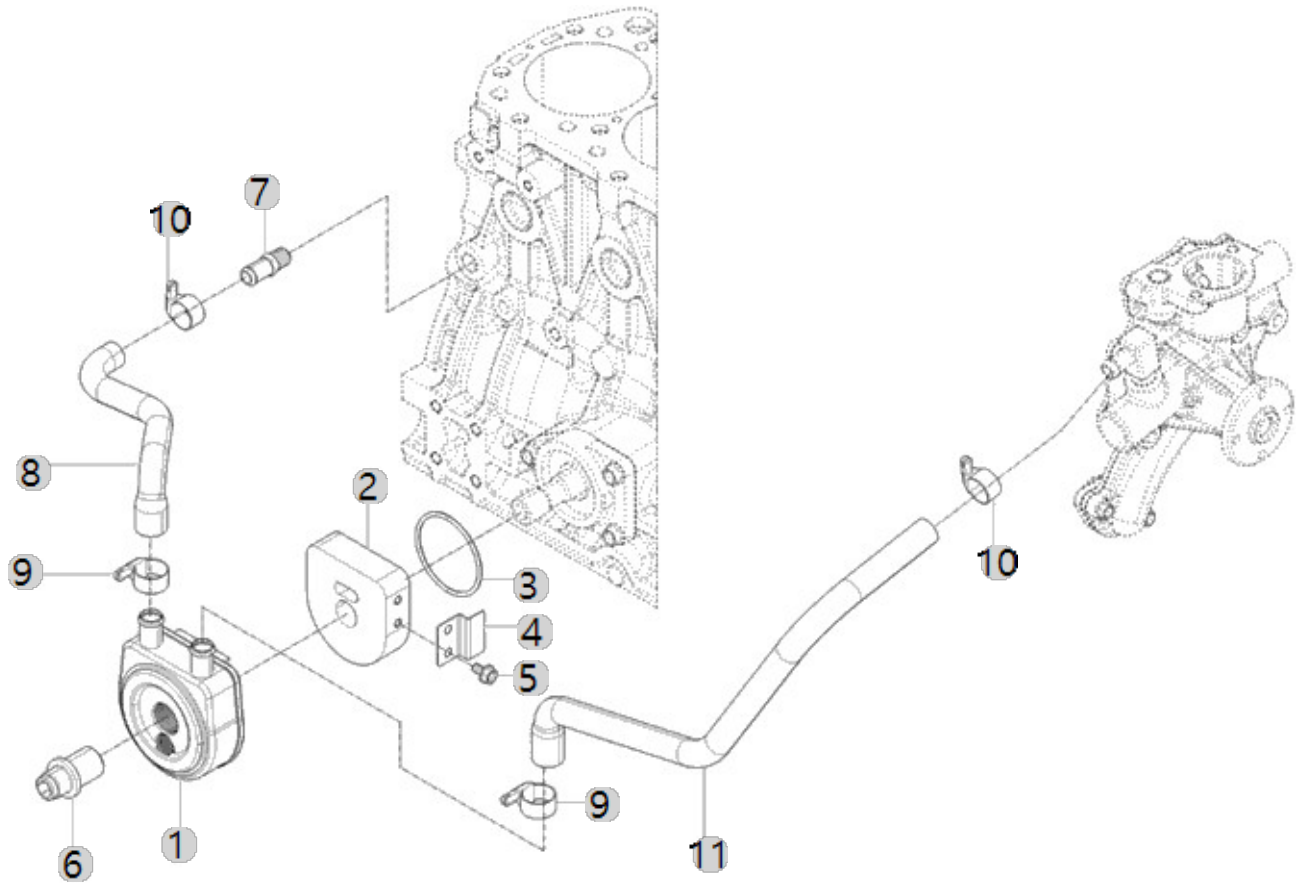
A26_001

A1700N4-ETR_5
(AB00324)

COOLER, ENGINE OIL

Year/Month

2023-01-17



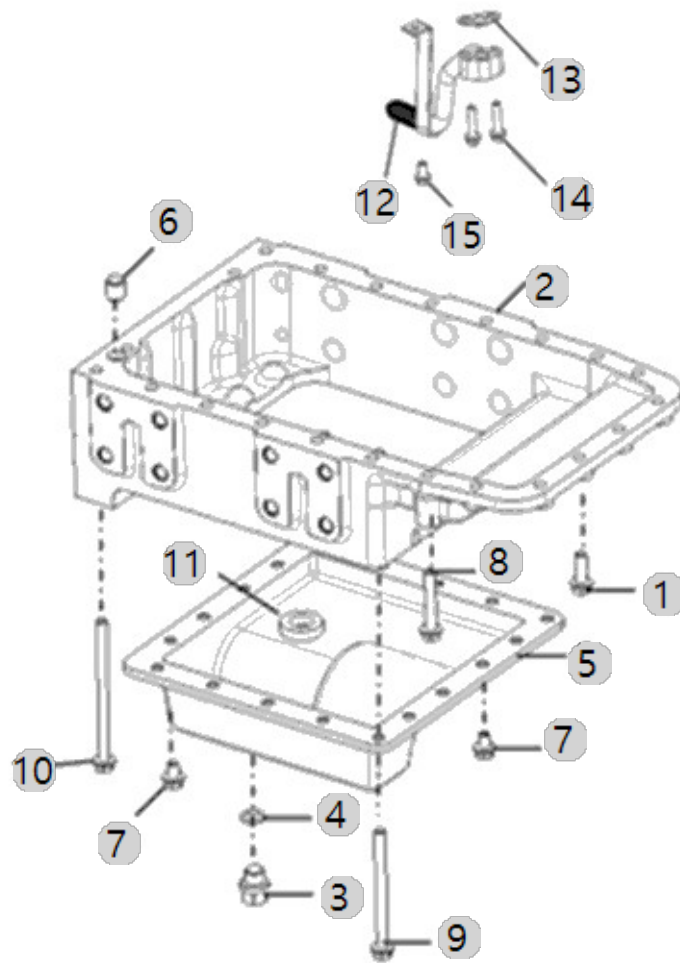
A27_004

A1700N4-ETR_5
(AB00324)

OIL PAN ASS'Y OPTION

Year/Month

2023-01-17



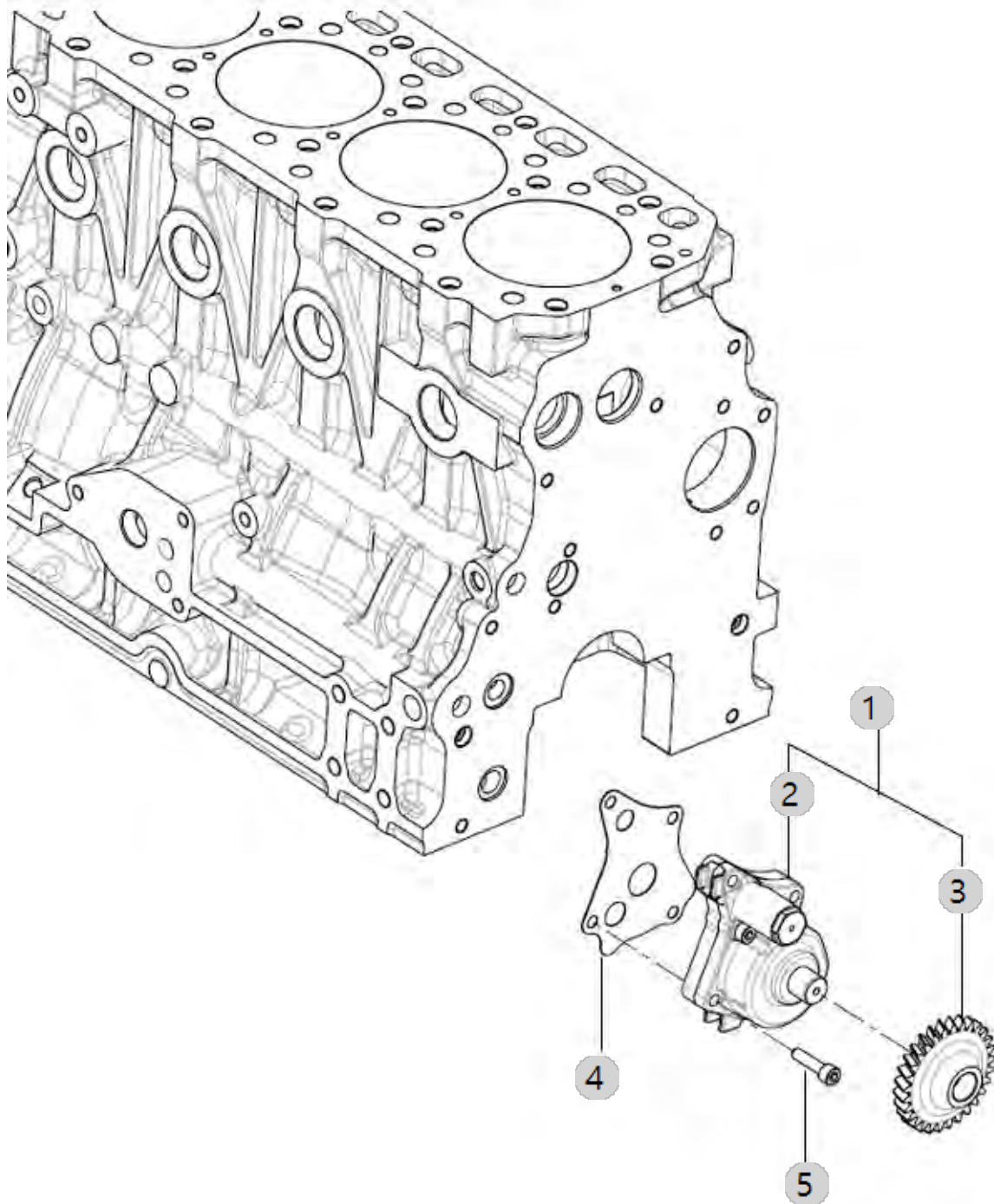
A28_001

A1700N4-ETR_5
(AB00324)

PUMP, LUBRICATING OIL

Year/Month

2023-01-17



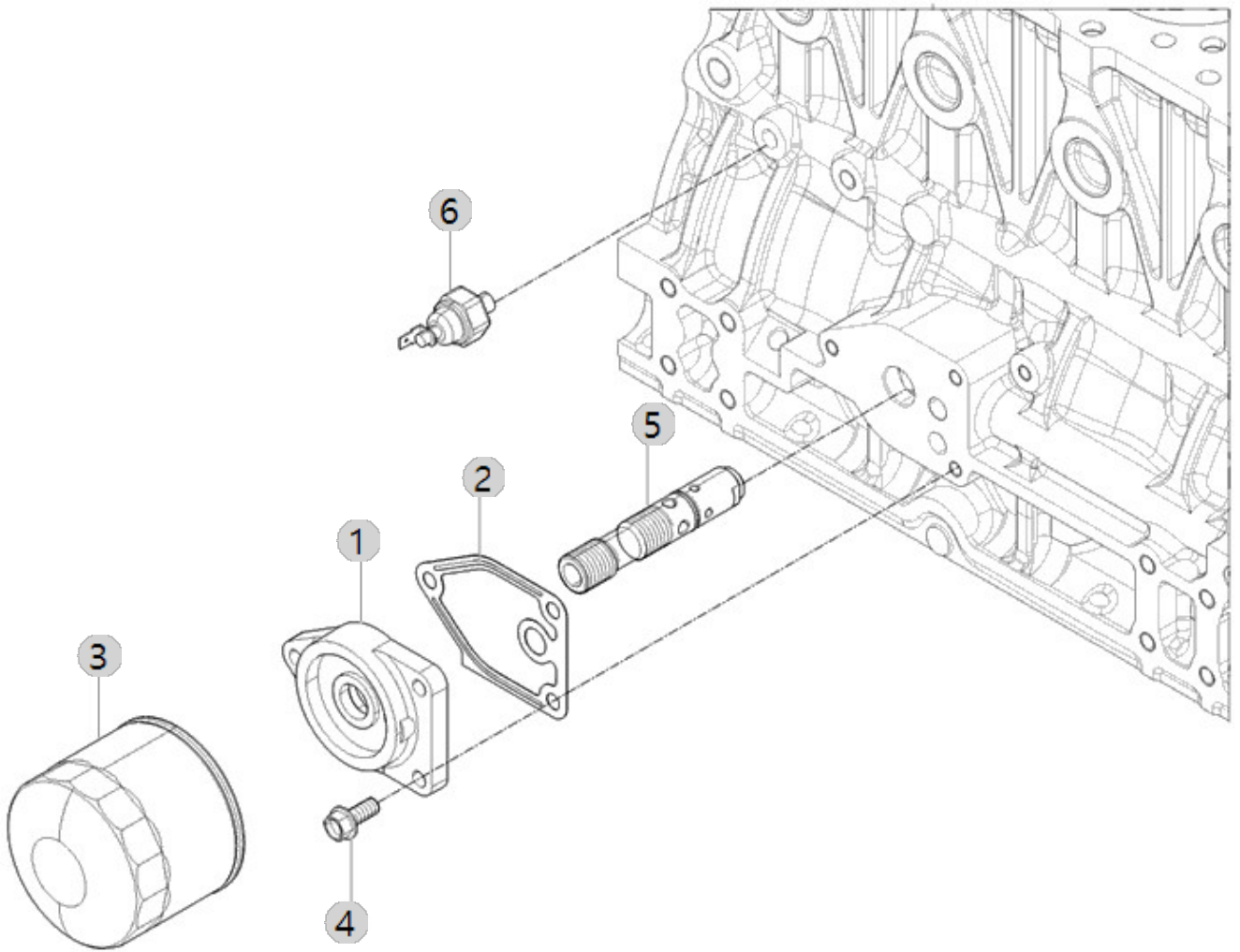
A29_005

A1700N4-ETR_5
(AB00324)

FILTER, LUBRICATING OIL

Year/Month

2023-01-17



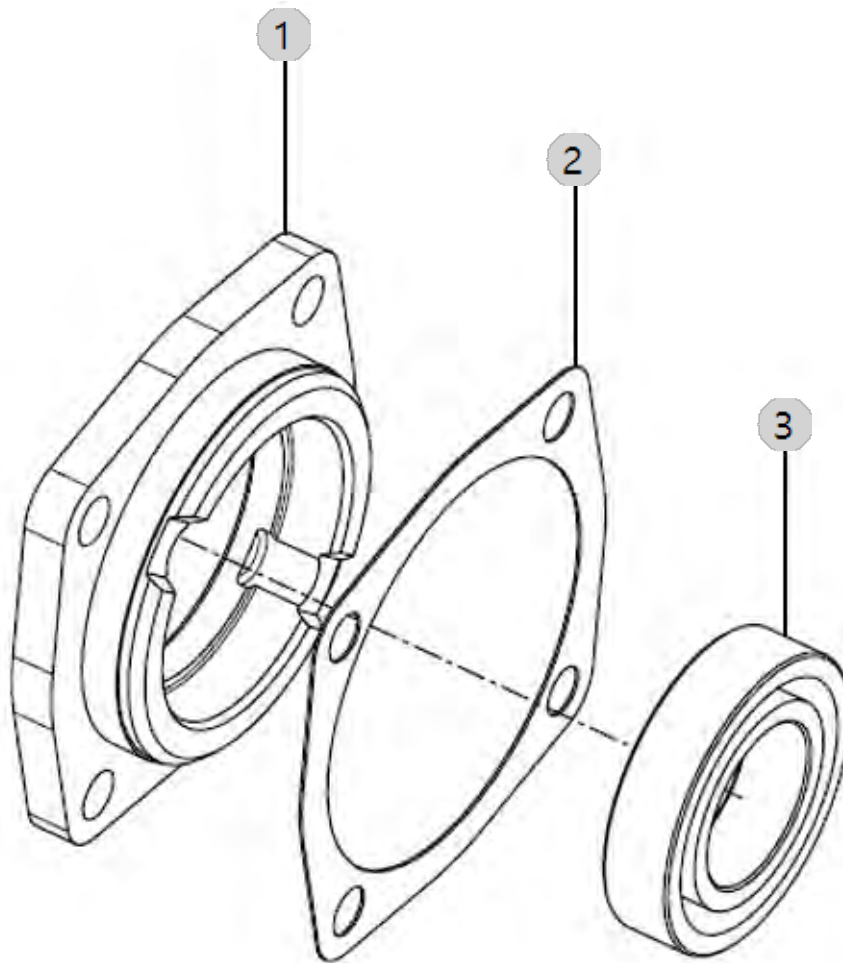
A30_003

A1700N4-ETR_5
(AB00324)

FRONT GEAR ACCESSORY DRIVE

Year/Month

2023-01-17



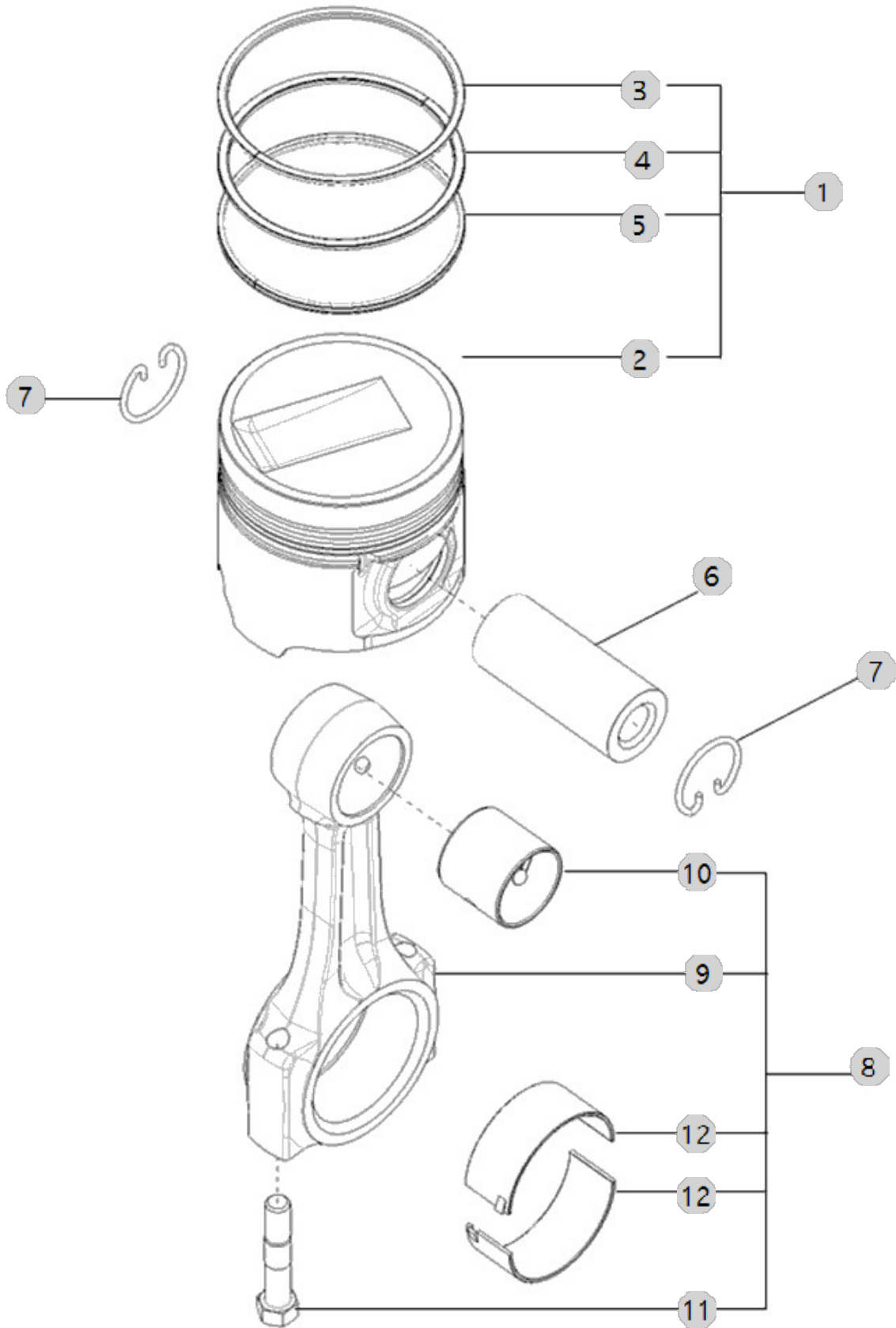
A31_003

A1700N4-ETR_5
(AB00324)

PISTON

Year/Month

2023-01-17



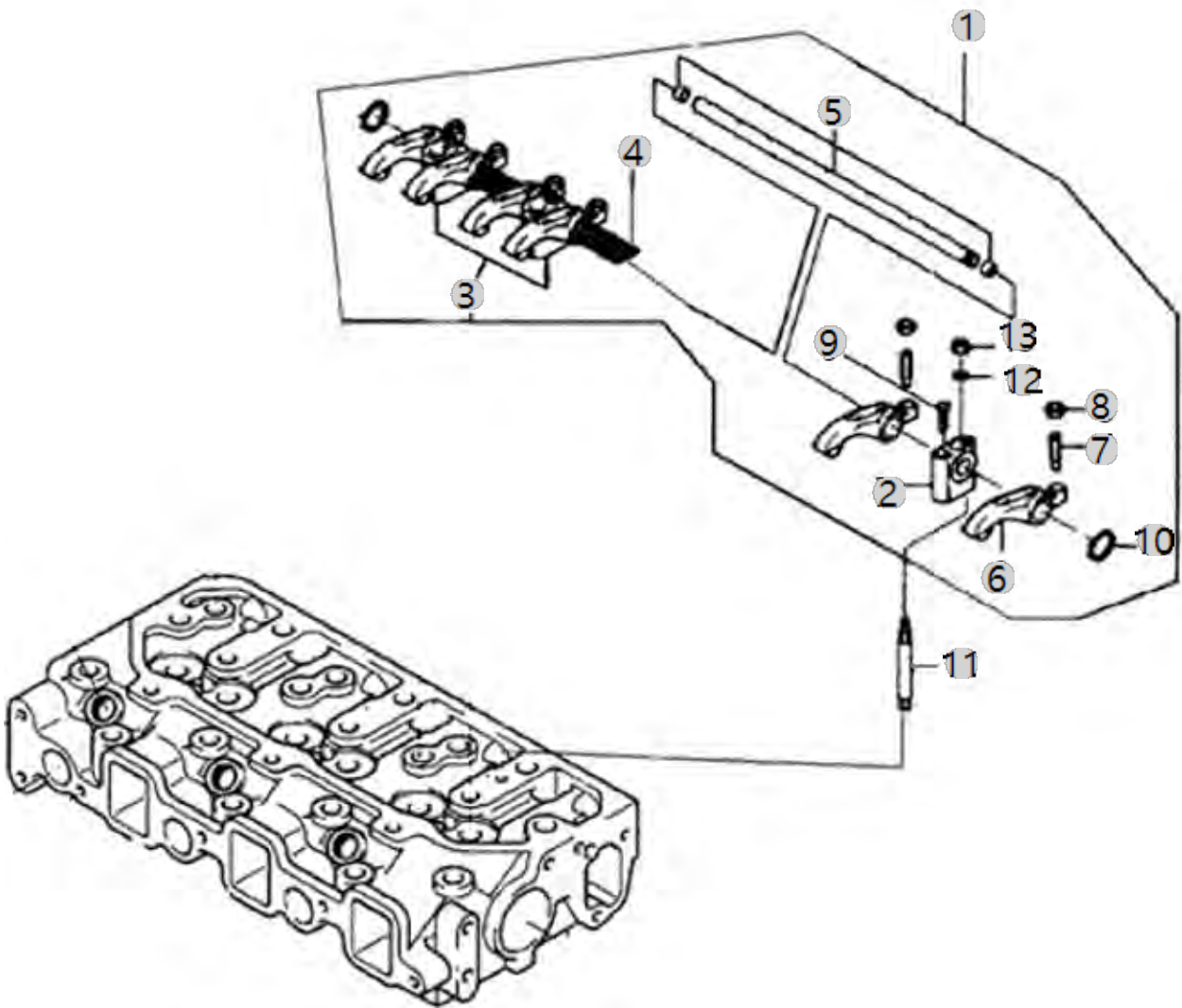
A32_002

A1700N4-ETR_5
(AB00324)

LEVER, LOCKER

Year/Month

2023-01-17



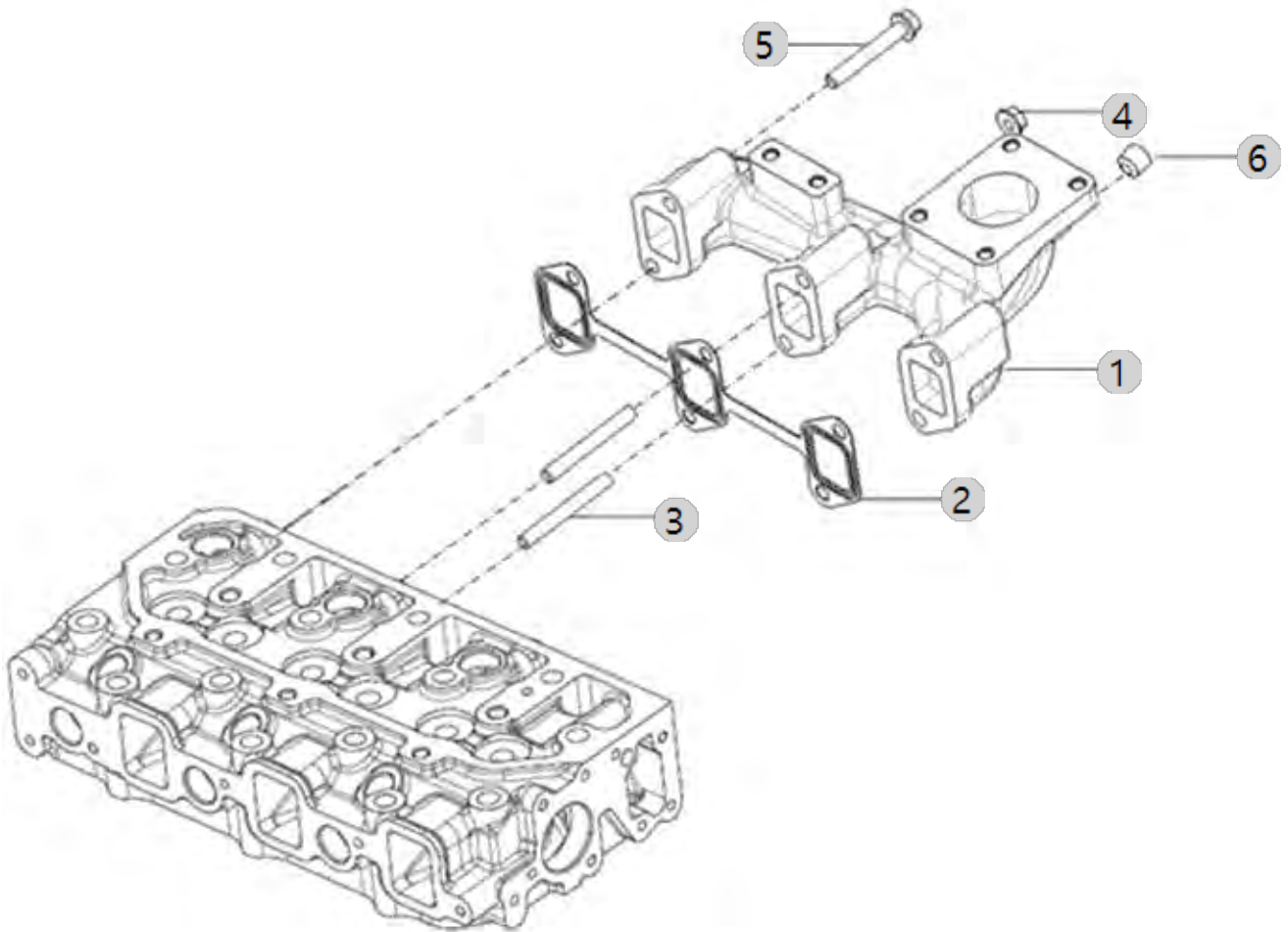
A33_006

A1700N4-ETR_5
(AB00324)

EXHAUST MANIFOLD

Year/Month

2023-01-17



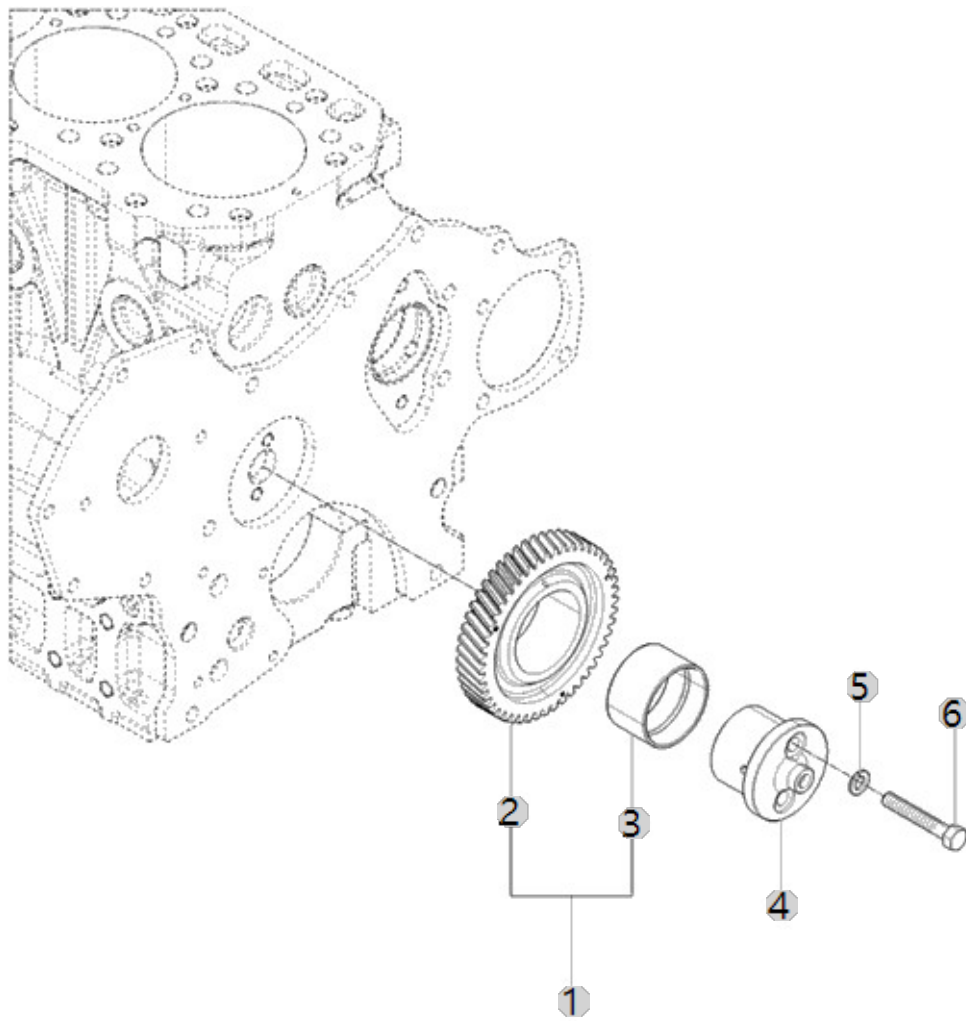
A35_002

A1700N4-ETR_5
(AB00324)

IDLE GEAR

Year/Month

2023-01-17



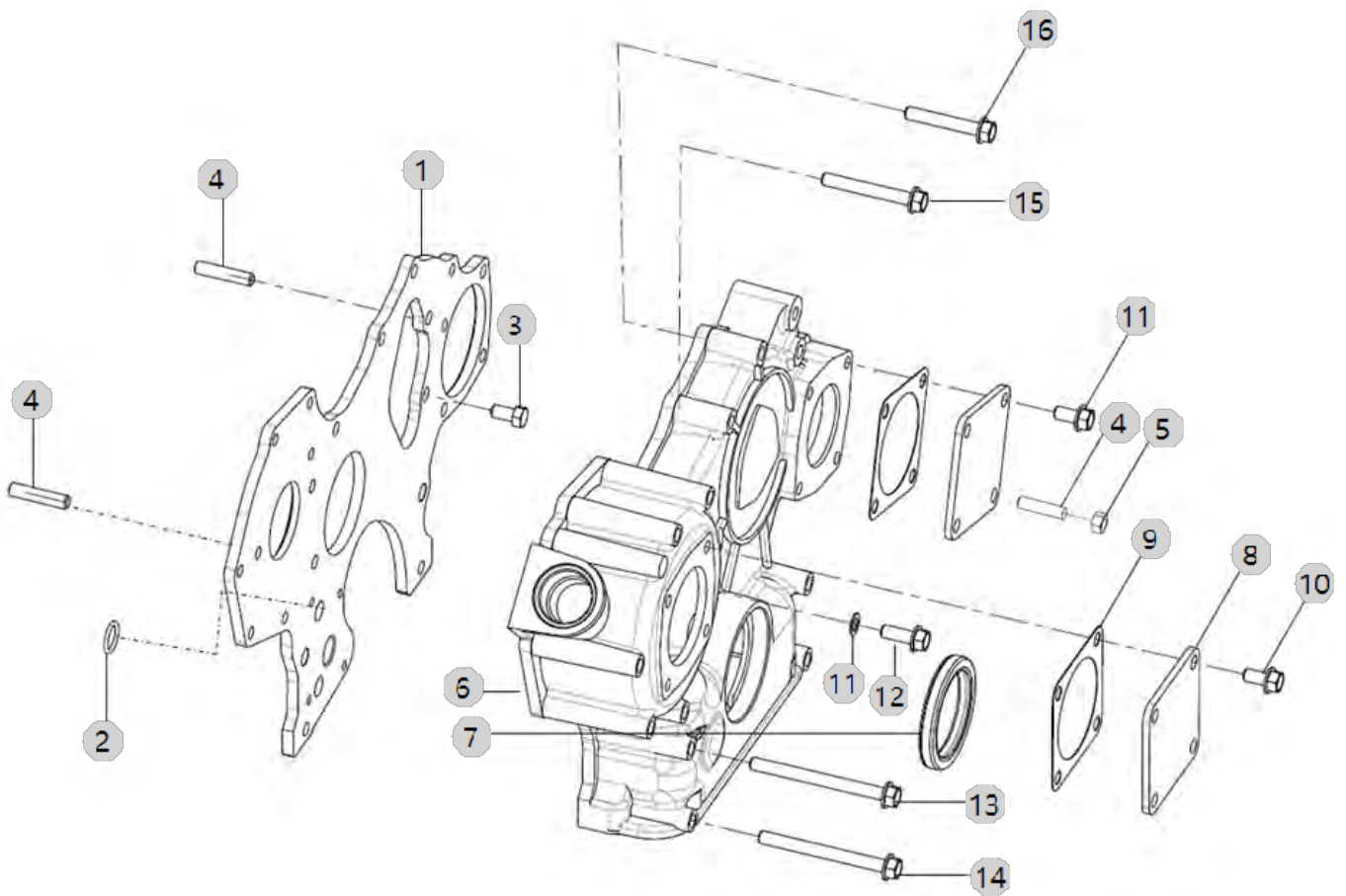
A36_002

A1700N4-ETR_5
(AB00324)

COVER, FRONT GEAR

Year/Month

2023-01-17



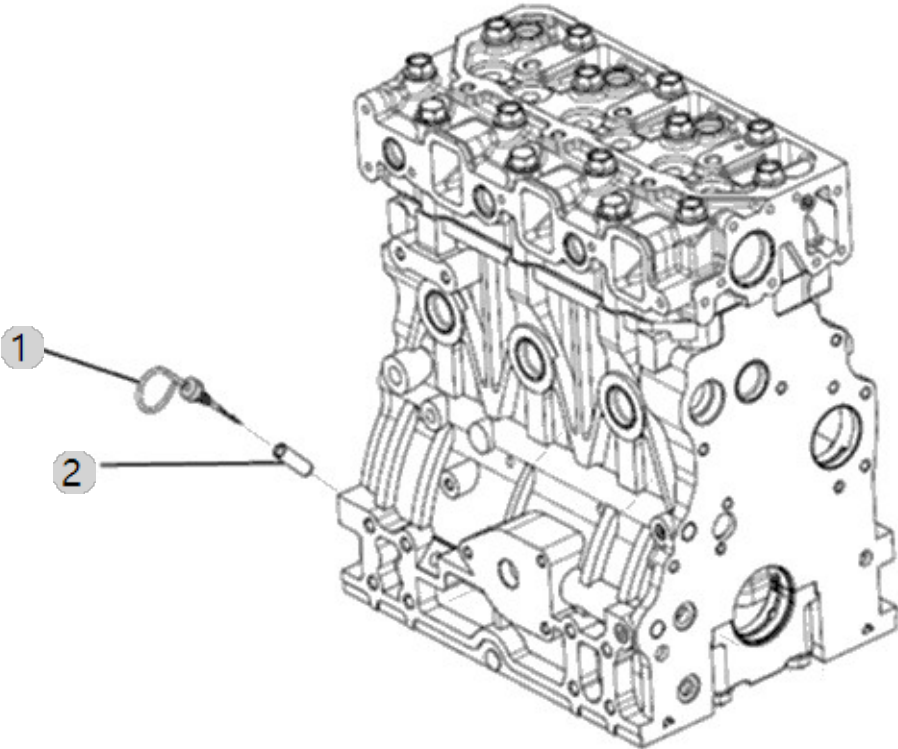
A38_004

A1700N4-ETR_5
(AB00324)

GAUGE, OIL LEVEL

Year/Month

2023-01-17



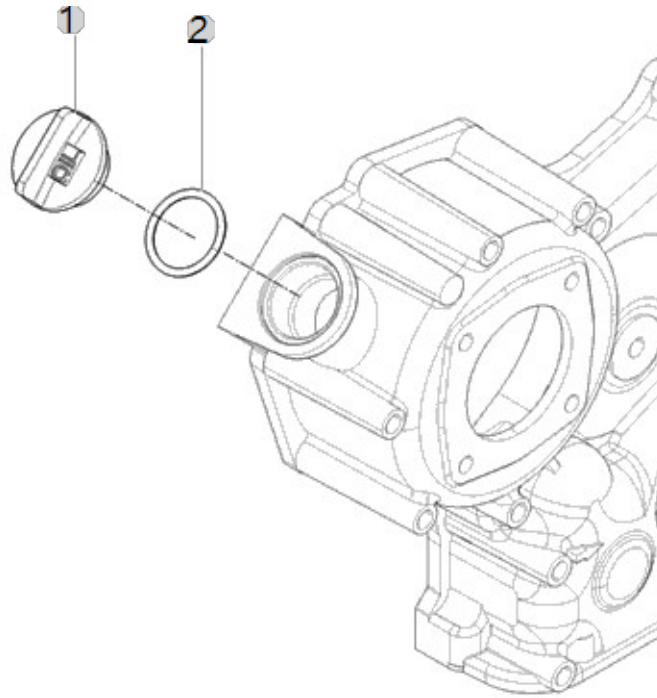
A39_001

A1700N4-ETR_5
(AB00324)

OIL FILLER CAP

Year/Month

2023-01-17



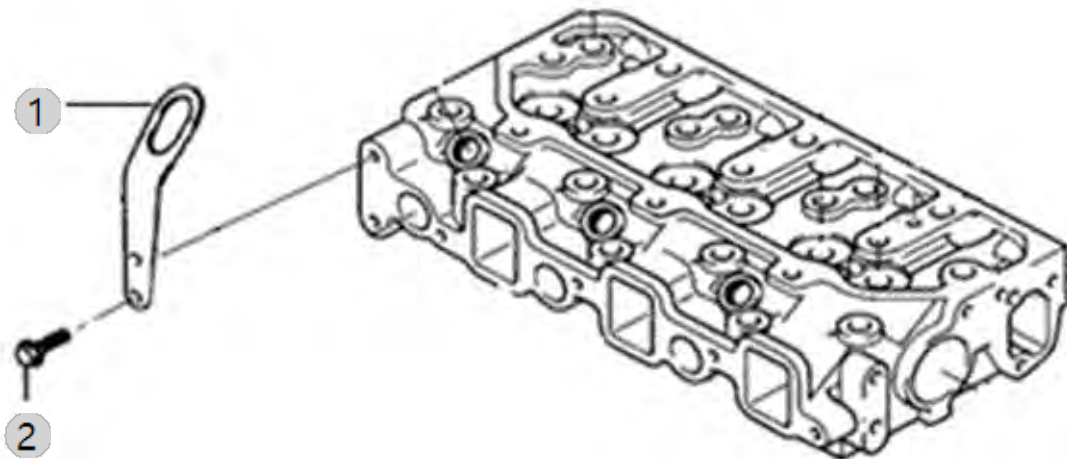
A40_003

A1700N4-ETR_5
(AB00324)

LIFT ASS'Y OPTION

Year/Month

2023-01-17



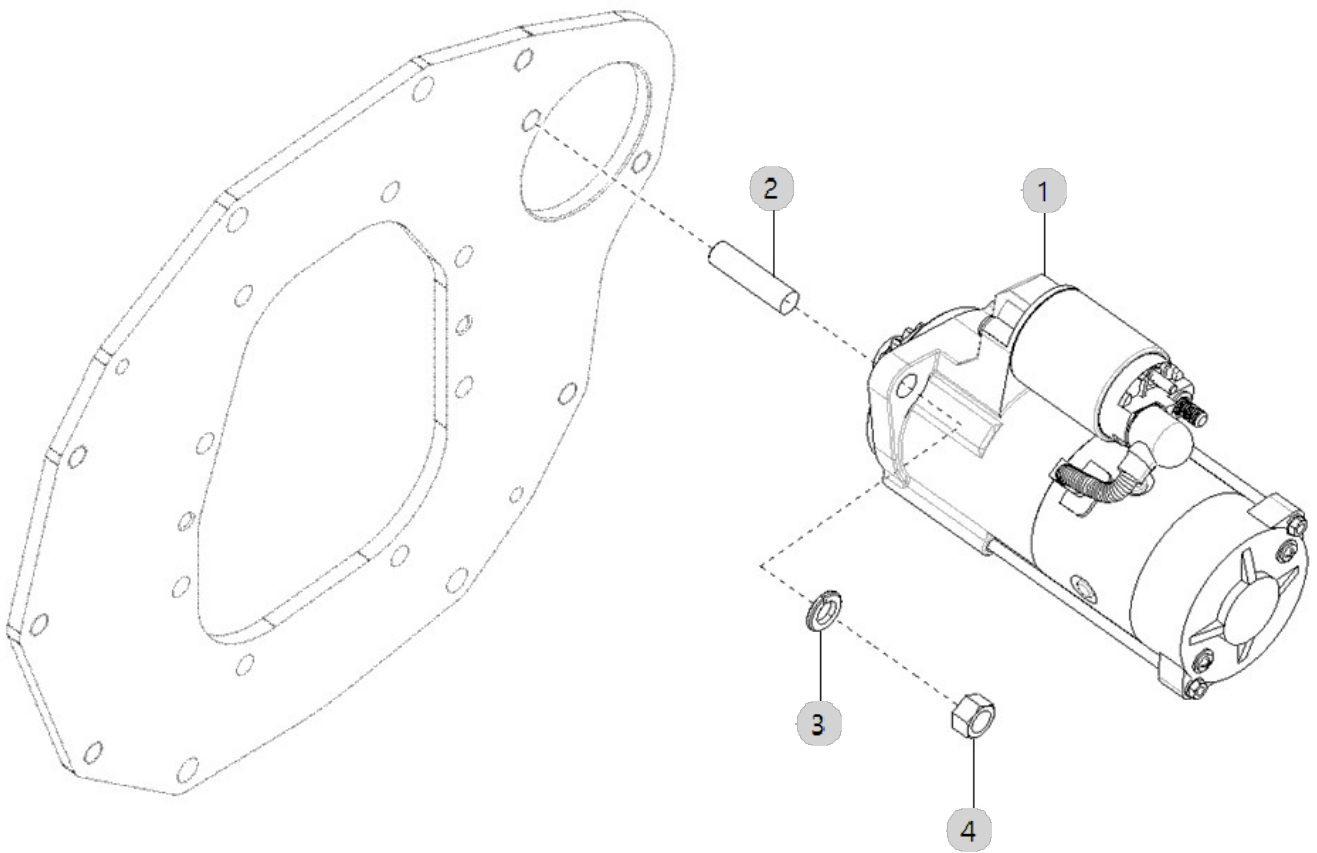
A42_003

A1700N4-ETR_5
(AB00324)

MOTER, STARTIONS

Year/Month

2023-01-17



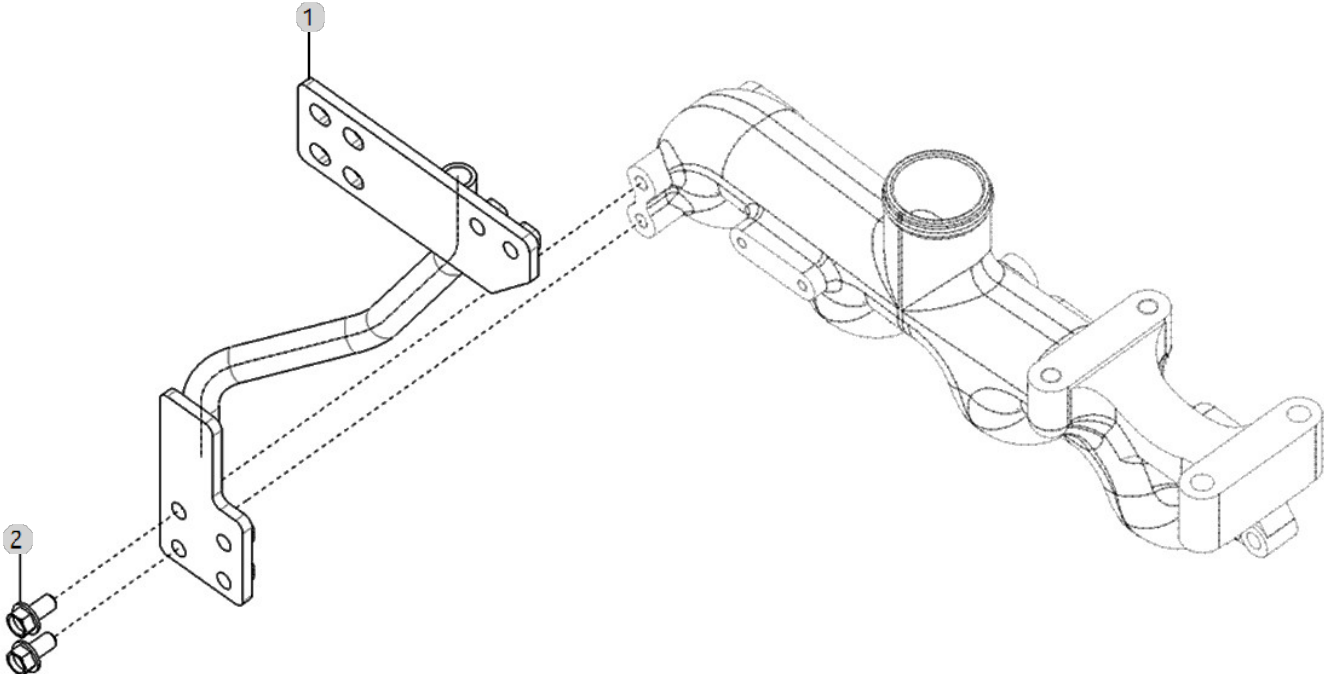
A43_001

A1700N4-ETR_5
(AB00324)

DPF SUPPORT OPTION

Year/Month

2023-01-17



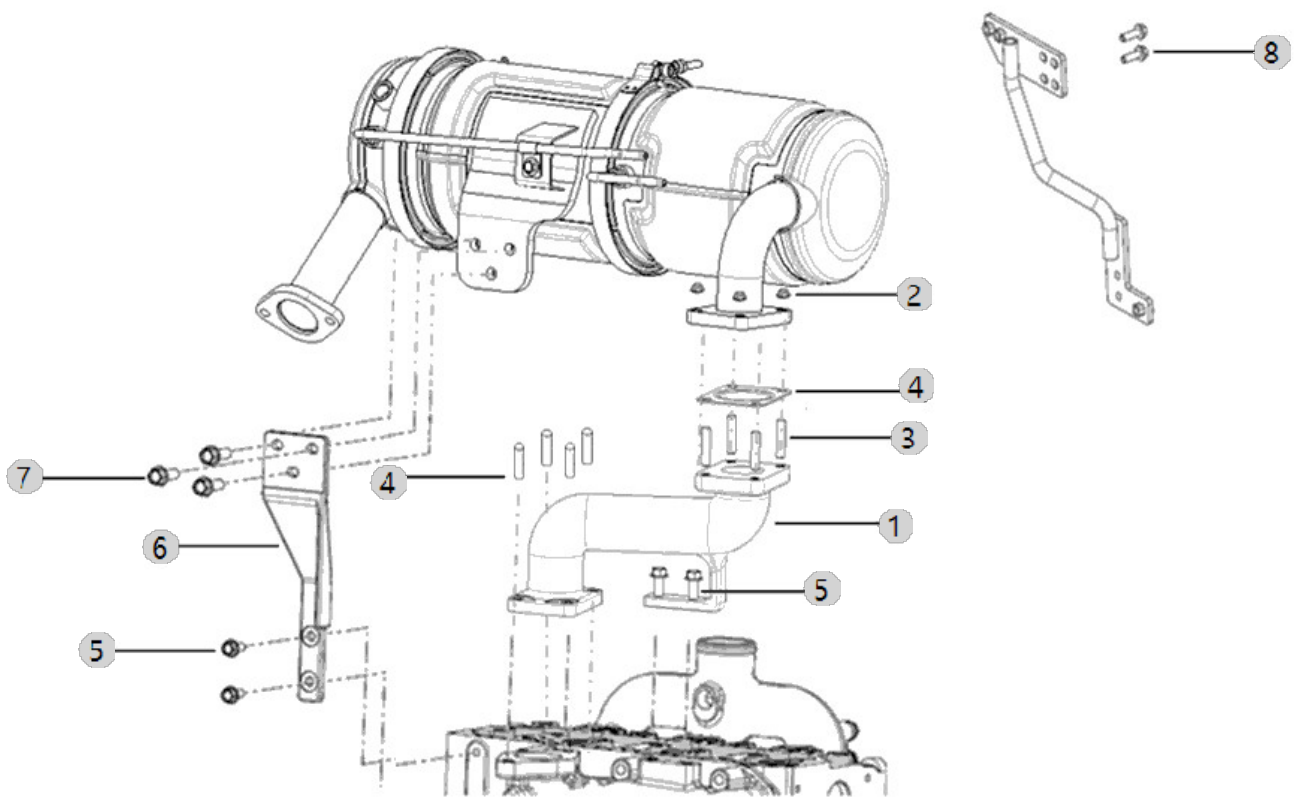
A44_003

A1700N4-ETR_5
(AB00324)

DPF MOUNTING OPTION

Year/Month

2023-01-17



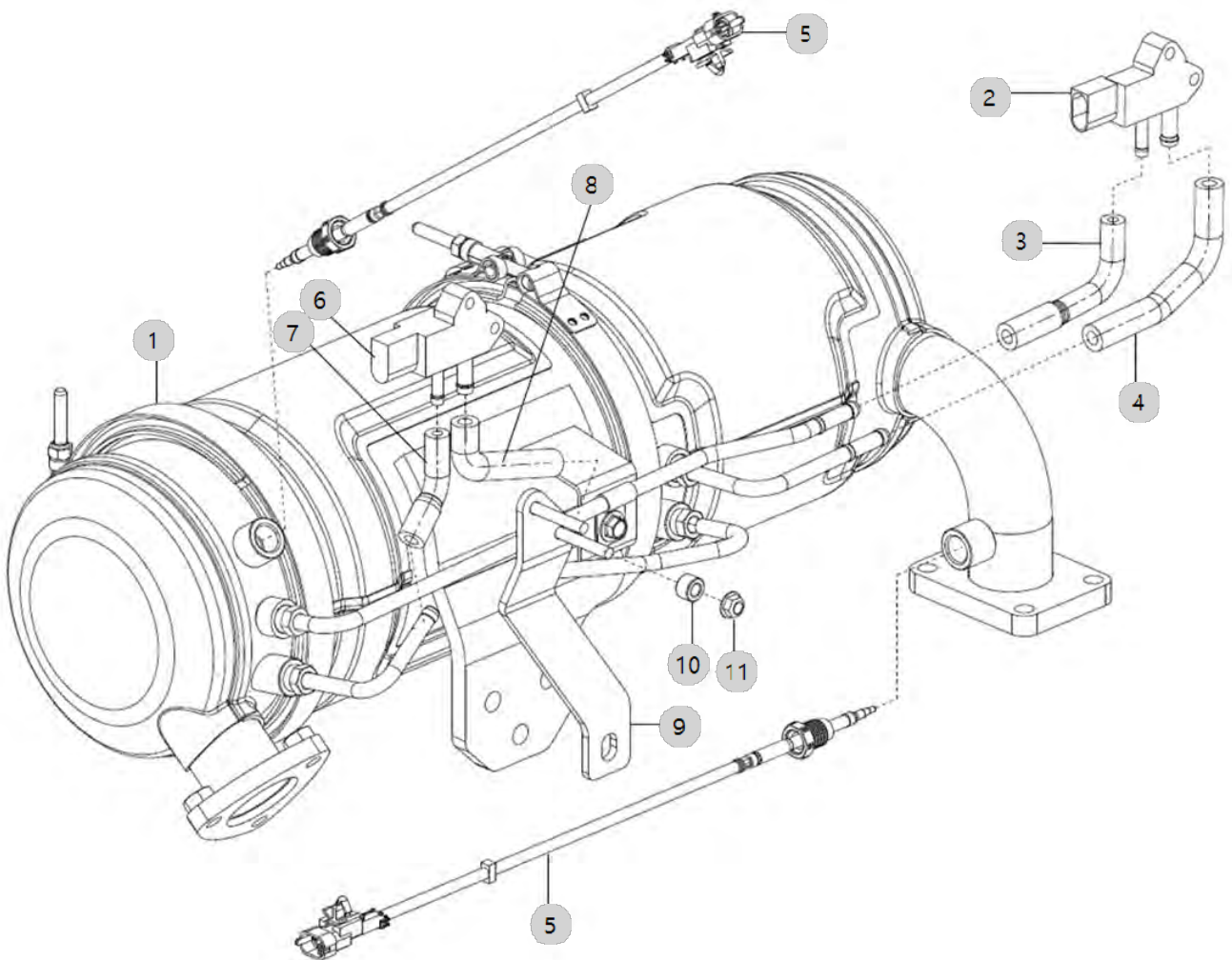
A45_011

A1700N4-ETR_5
(AB00324)

DPF

Year/Month

2023-01-17



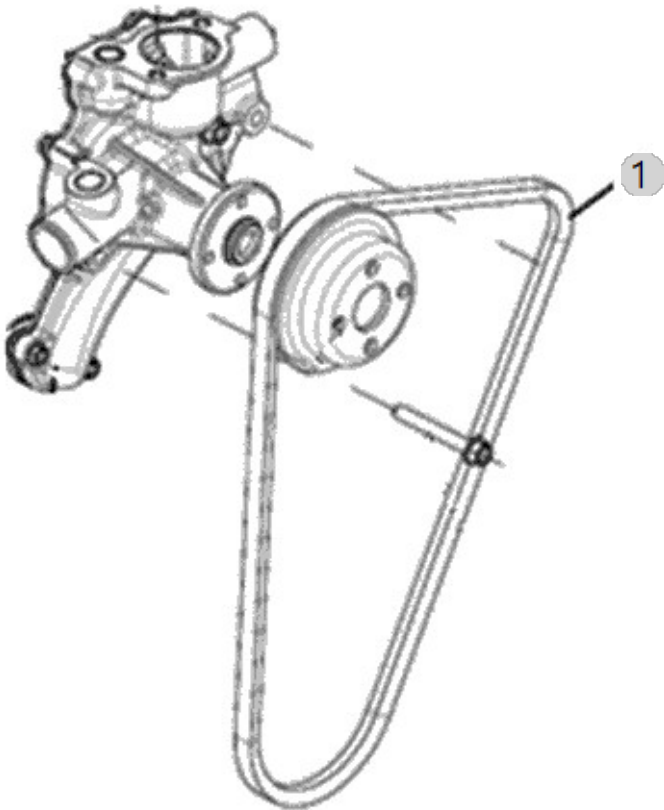
A48_006

A1700N4-ETR_5
(AB00324)

V-BELT

Year/Month

2023-01-17



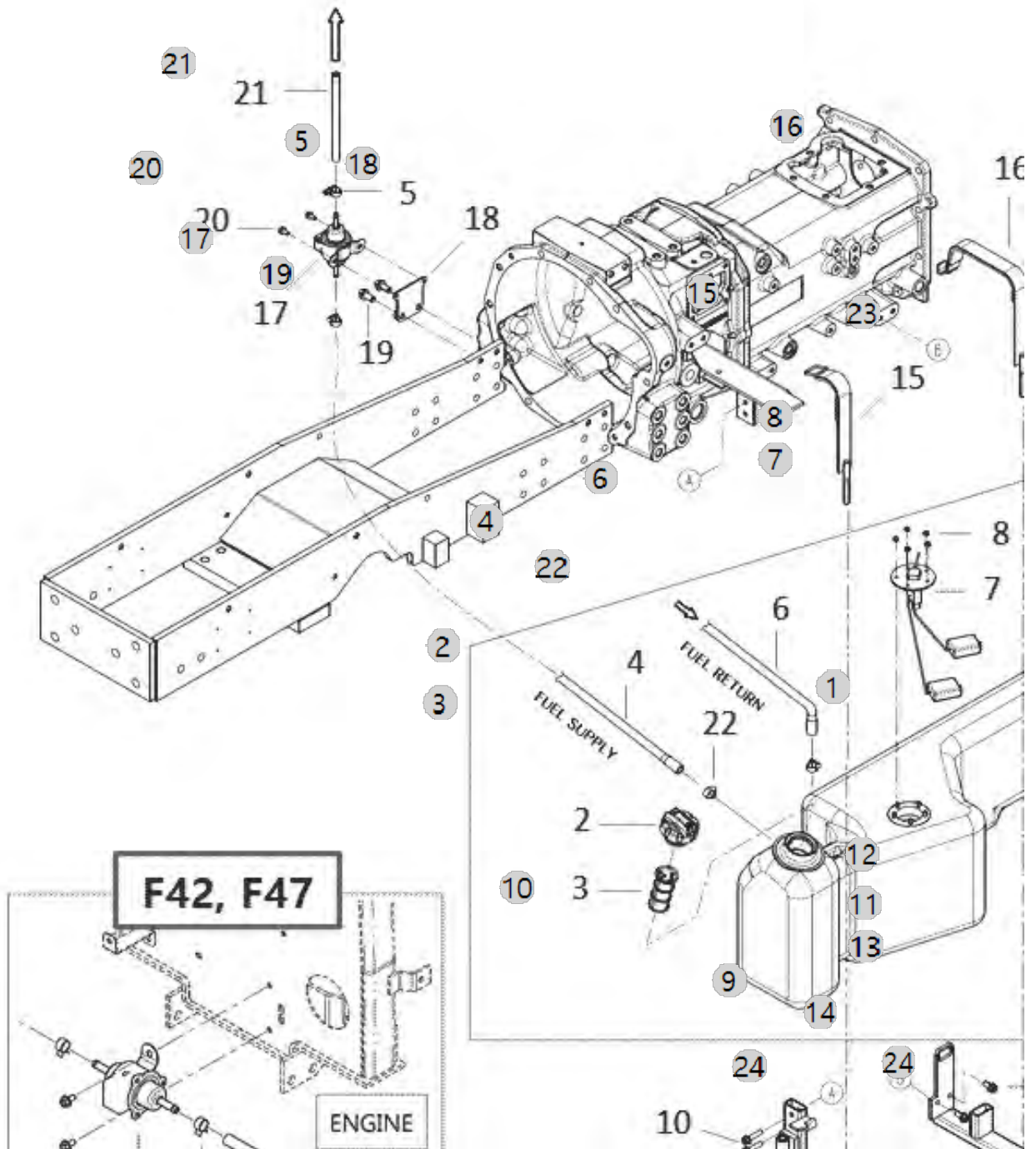
B01010A

F36HN_EU_FL
(AC02130)

FUEL TANK

Year/Month

2023-01-17



B01010A F36HN_EU_FL (AC02130)		FUEL TANK				Year/Month 2023-01-17
순번 (NO)	부품번호 (PART NO)	품명 (PART NAME)	품명 (PART NAME)	수량 (QTY)	규격 (SPEC)	비고 (REMARK)
1	TA00039460B	연료 탱크 조합	FUEL TANK	1		
2	TA00037880A	주유구 캡	FUEL CAP	1		
3	TA00056576A	연료여과망	FUEL TANK STRAINER	1		
4	TA00041750B	연료호스(800)조합	FUEL LINE(800)	1		
4	TA00041750A	연료호스(750)조합	FUEL LINE(750)	1		
5	23080-013000	호스 클립	Clamp, Hose (Φ13)	3	D13	
6	TA00041751A	연료호스(1000)조합	FUEL LINE(1000)	1		
6	TA00041751C	연료호스(1250)조합	FUEL LINE(1250)	1		
6	TA00041751B	연료호스(1200)조합	FUEL LINE(1000)	1		
7	HA00000977B	연료센서(K3)	FUEL SENSOR	1		
8	26712-050002	너트M5	NUTM5	5	M5	
9	TA00040157A	연료탱크 전방 서포트	FRONT SUPPORT	1		
9	TA00040157C	연료탱크 전방 서포트	FRONT SUPPORT	1		
9	TA00040157B	연료탱크 전방 서포트	FRONT SUPPORT	1		
9	TA00040157E	연료탱크 전방 서포트	FRONT SUPPORT	1		
10	26106-080352	육각플랜지볼트	SCREW,HEXFLANGEHEADCAP	2	M8XP1.25X35	
11	TA00040154C	연료탱크후방서포트	FUEL TANK SUPPORT, RR	1		
11	TA00040154F	연료탱크후방서포트	FUEL TANK SUPPORT, RR	1		
11	TA00040154B	연료탱크후방서포트	REAR SUPPORT	1		
11	TA00040154D	연료탱크후방서포트	FUEL TANK SUPPORT, RR	1		
12	26106-080182	444,ALL,플랜지볼트	SCREW,HEXFLANGEHEADCAP	2		
13	22137-100000	평와셔 10	WASHER, PLAIN (Φ 10)	2	M10	
14	26367-100002	263,ALL,고정너트(우나사)	NUT,HEXAGONFLANGE	2	M10X1025	
15	TA00040222D	전방 밴드 조합	FRONT BAND ASSY	1		
15	TA00040222B	전방 밴드 조합	FRONT BAND ASSY	1		
16	TA00040215D	후방 밴드 조합	REAR BAND	1		
16	TA00040215B	후방 밴드 조합	REAR BAND	1		
17	HF20190000A2	피드펌프	PUMP ASSY, FUEL FEED	1		
19	26106-100202	육각플랜지볼트	HEX BOLT, (10-20)	2	M10XP1.5X20	
20	26106-060122	육각플랜지볼트	HEX BOLT (6-12)	2	M6XP1.0X12	
21	TA00053805A	연료호스	HOSE, FUEL	1		
22	23080-015000	호스클램프	Clamp, Hose (Φ15)	2	D15	
23	TA00040370F	연료탱크 총조합	TANK, FUEL ASSY	1		
23	TA00040370C	연료탱크 총조합	TANK, FUEL ASSY	1		
23	TA00040370E	연료탱크 총조합	TANK, FUEL ASSY	1		
23	TA00040370G	연료탱크 총조합	FUEL TANK ASSY	1		
23	TA00040370B	연료탱크 총조합	TANK, FUEL ASSY	1		
23	TA00040370D	연료탱크 총조합	TANK, FUEL ASSY	1		
24	TA00062769A	사각 캡	CAP, PVC	2		

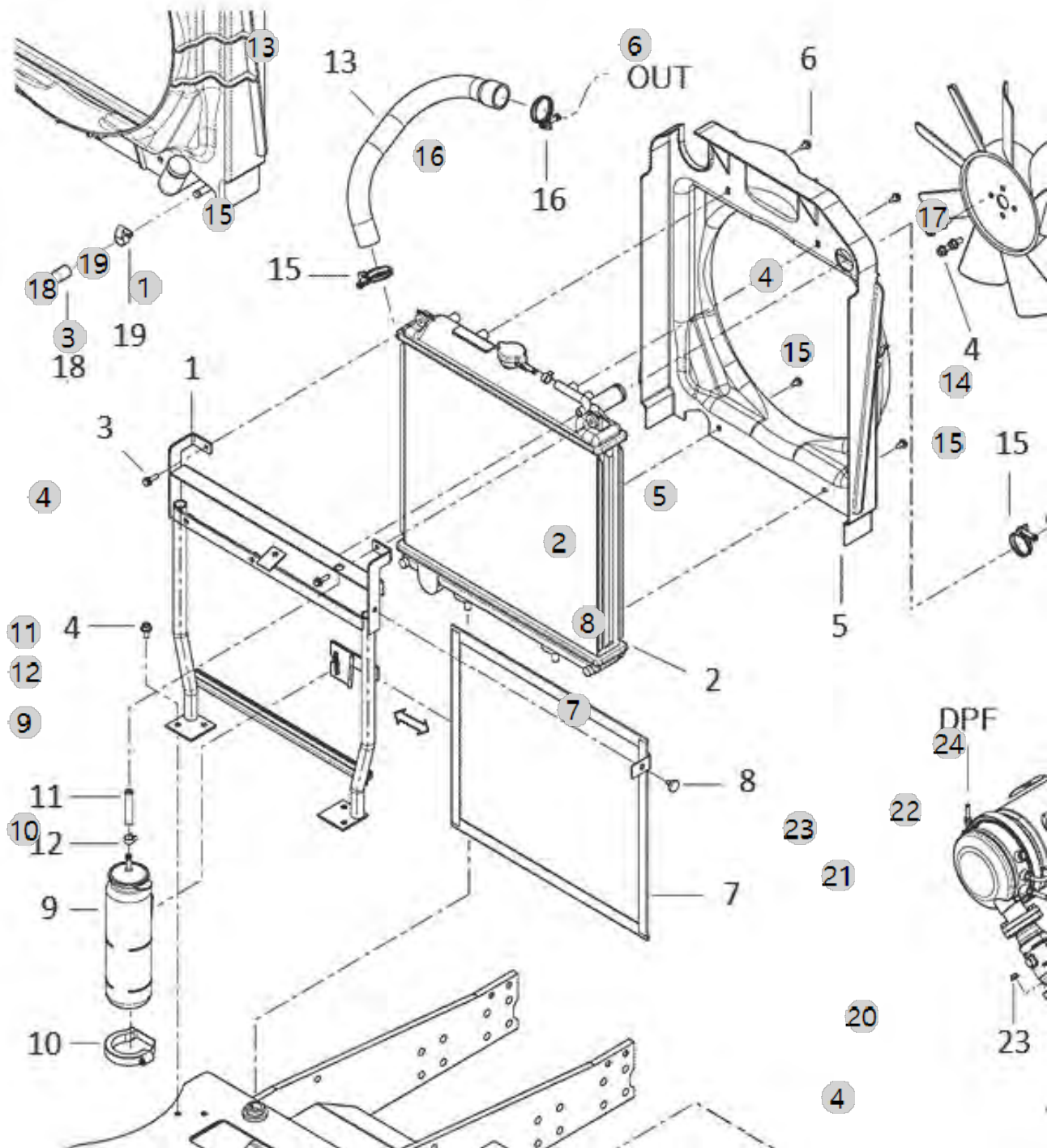
B02020A

F36HN_EU_FL
(AC02130)

RADIATOR

Year/Month

2023-01-17



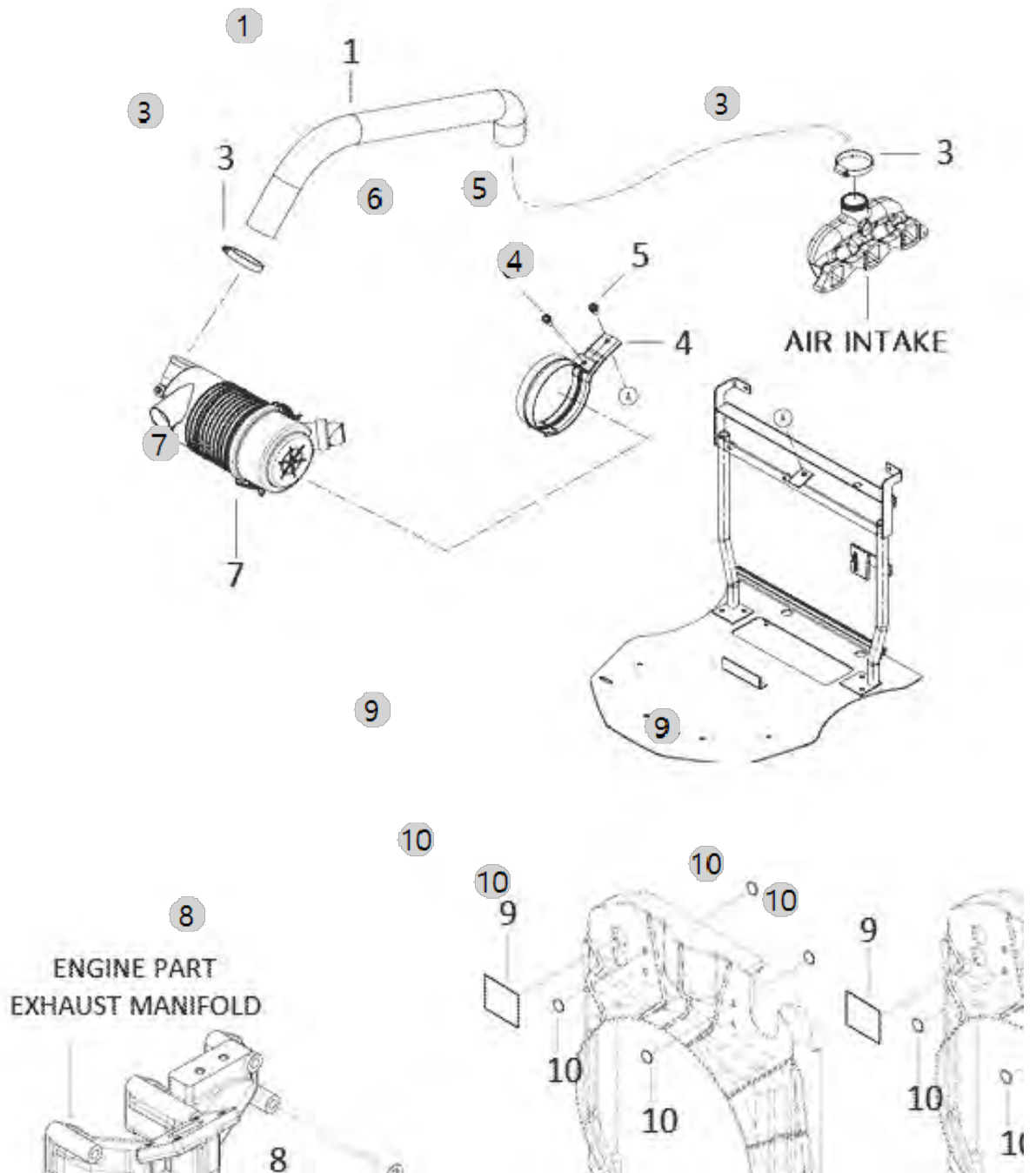
B03010A

F36HN_EU_FL
(AC02130)

AIR CLEANER

Year/Month

2023-01-17



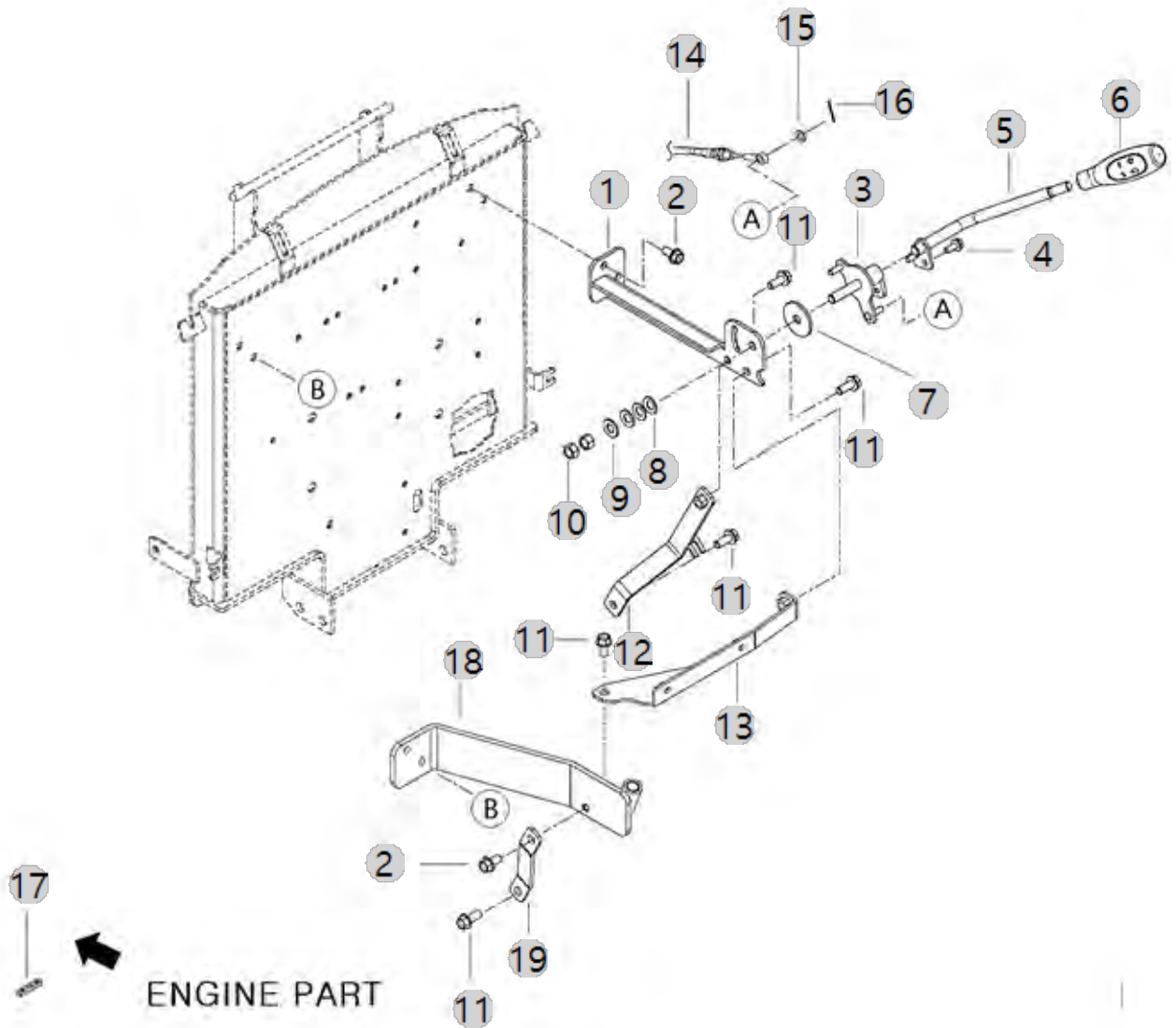
B05011

F36HN_EU_FL
(AC02130)

LEVER ACCELERATOR

Year/Month

2023-01-17



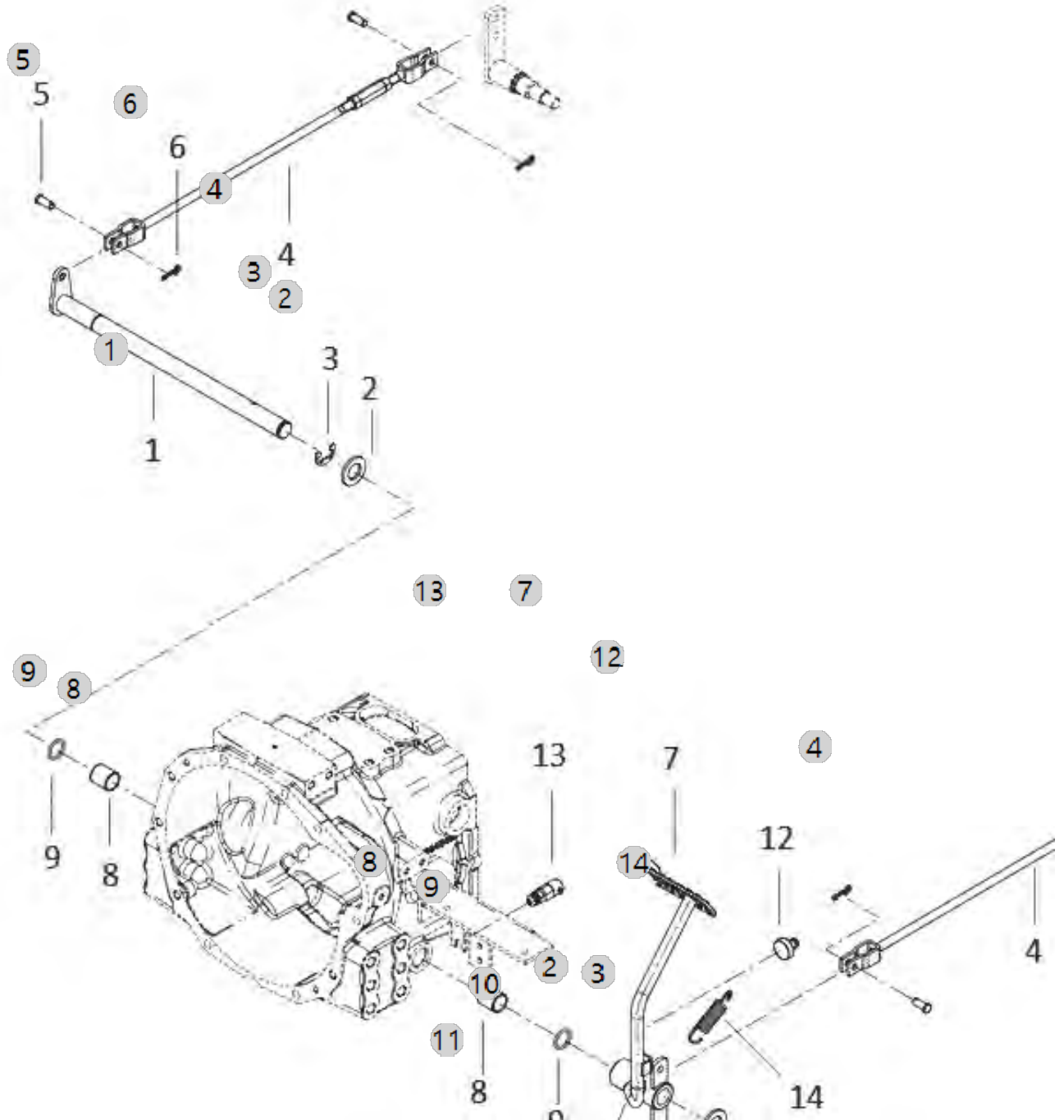
C02010

F36HN_EU_FL
(AC02130)

BRAKE PEDAL

Year/Month

2023-01-17



C02010 F36HN_EU_FL (AC02130)		BRAKE PEDAL				Year/Month 2023-01-17
순번 (NO)	부품번호 (PART NO)	품 명 (PART NAME)	품 명 (PART NAME)	수량 (QTY)	규격 (SPEC)	비고 (REMARK)
1	TA00042448A	브레이크 축	SHAFT, PEDAL ROD	1		
2	22137-240000	평와셔	WASHER, PLAIN (Φ 24)	2		
3	22272-000190	E형스냅링	RING, CIRCLIP (Φ 19)	2	D19	
4	TA00038925B	브레이크 로드 조합	ROD ASSY	2		
4	TA00038925D	브레이크 로드 조합	BRAKE ROD ASS'Y	2		
4	TA00038925A	브레이크 로드 조합	ROD ASSY	2		
4	TA00038925C	브레이크 로드 조합	BRAKE ROD ASS'Y	2		
4	TA00038925E	브레이크 로드 조합	BRAKE ROD ASS'Y	2		
5	22487-100200	두부핀 10X20	PIN, HEAD (10-20)	4	D10X20	
6	RR51230000C	빠짐방지 스패핀 10	SNAP PIN	4		
6	RR51230000C4	빠짐방지 스패핀 10	PIN 10, COME-OFF SNAP	4	D1.8	
6	RR51230000B4	빠짐방지 스패핀 10	SNAP PIN	4	D1.8	
6	RR51230000D4	빠짐방지 스패핀 10	PIN 10, COME-OFF SNAP	4	D1.8	
7	TA00043905B	브레이크페달HST(EU)	BRAKE PEDAL, HST(EU)	1		
7	TA00043905A	브레이크페달HST(EU)	BRAKE PEDAL	1		
8	24550-025300	드라이부시	DRY BUSH	2	25X30	
9	24311-000250	O-RINGP25	O-RING, DYNAMIC (Φ25)	2		
10	22351-050040	스프링핀5X40	PIN, SPRING (5-04)	1	D5X40	
11	22351-080040	스프링핀8X40	PIN, SPRING (8-40)	1	D8X40	
12	TA00016153A	고무스토퍼	RUBBER STOPER	1	-	
13	TZC5110000A3	스톱밸브스위치	STOPLAMP SWITCH	1		
14	TC73090000B4	리턴스프링	RETURNSPRING	1	D2.9	
14	TC73090000A4	리턴스프링	RETURN SPRING	1		
14	TC73090000C4	리턴스프링	RETURN SPRING	1	D2.9	

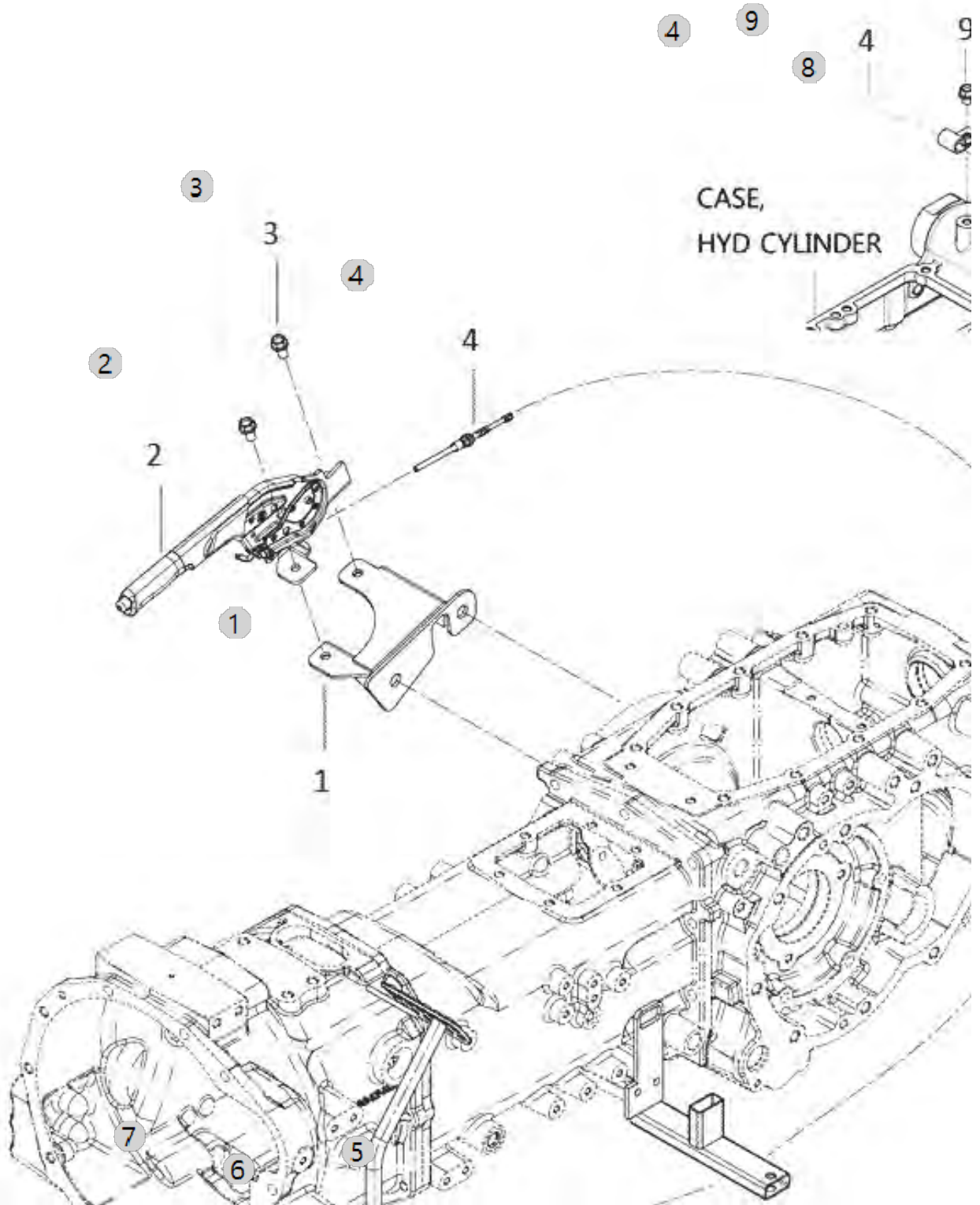
C02050

F36HN_EU_FL
(AC02130)

PARKING BRAKE

Year/Month

2023-01-17



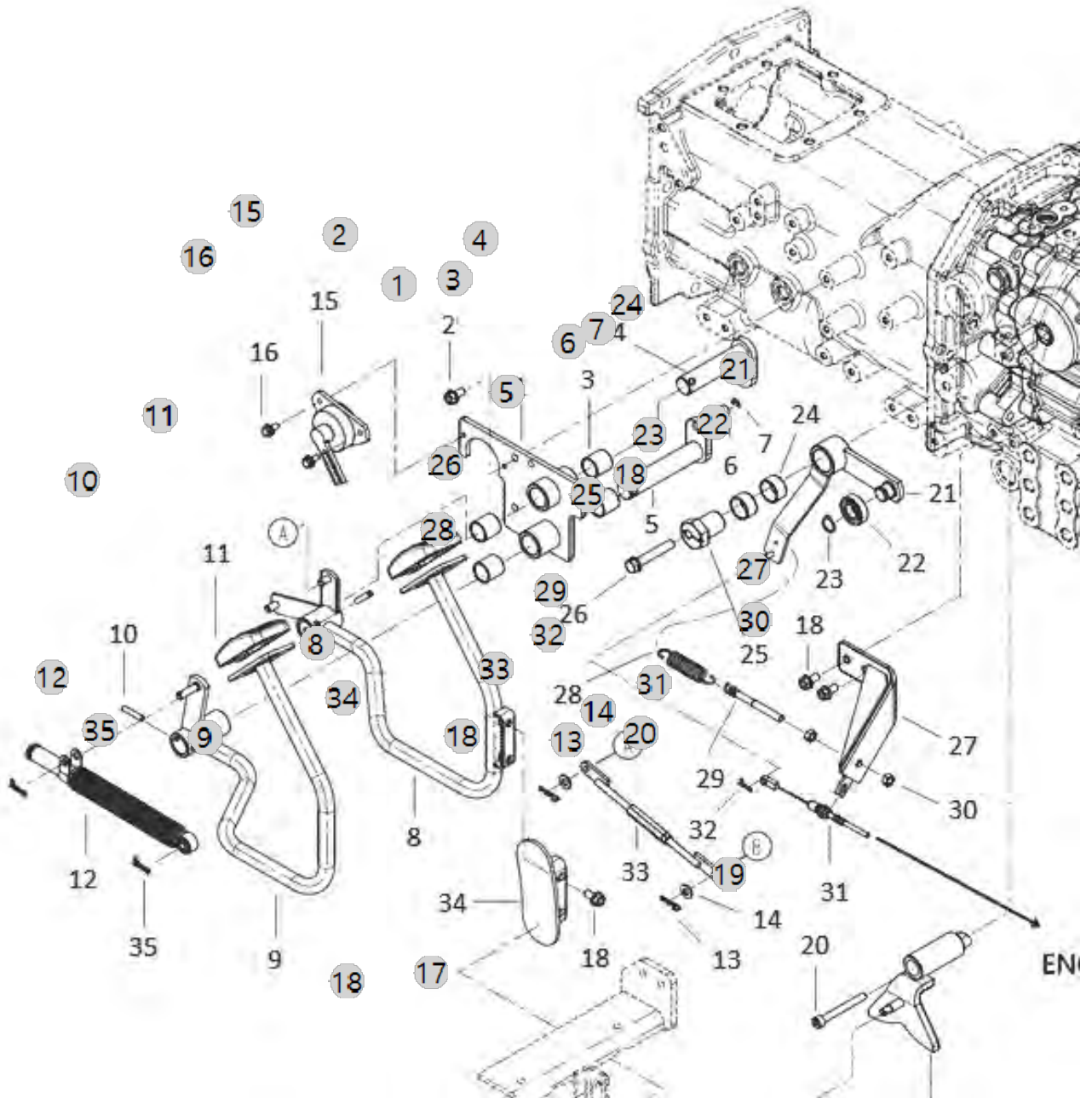
C03010

F36HN_EU_FL
(AC02130)

HYD SHIFT TRANSMISSION PEDAL

Year/Month

2023-01-17



C03010 F36HN_EU_FL (AC02130)		HYD SHIFT TRANSMISSION PEDAL				Year/Month 2023-01-17
순번 (NO)	부품번호 (PART NO)	품명 (PART NAME)	품명 (PART NAME)	수량 (QTY)	규격 (SPEC)	비고 (REMARK)
1	TA00042565C	페달브래킷 조합	PEDAL BRACKET ASS'Y	1		
1	TA00042565B	페달브래킷 조합	BRACKET ASSY	1		
1	TA00042565D	페달브래킷 조합	PEDAL BRACKET ASS'Y	1		
2	26106-080182	444,ALL,플랜지볼트	SCREW,HEXFLANGEHEADCAP	3		
3	24550-022250	드라이부시	BUSH	4		
4	TA00042599B	축조합(전진)	SHAFT ASSY(F)	1		
4	TA00042599C	축조합(전진)	SHAFT ASSY(F)	1		
5	TA00042600C	축조합(후진)	SHAFT ASSY(R)	1		
5	TA00042600B	축조합(후진)	SHAFT ASSY(R)	1		
6	TA00033126A	롤러	ROLLER	1		
7	22272-000060	SNAP RING	RING, CIRCLIP (Φ 06)	1	D6	
8	TA00042563D	전진페달 조합	HST ASSY PEDAL(F)	1		
8	TA00042563C	전진페달 조합	HST ASSY PEDAL(F)	1		
8	TA00042563E	전진페달 조합	FORWAHD PEDAL ASS'Y	1		
8	TA00042563B	전진페달 조합	HST ASSY PEDAL(F)	1		
9	TA00042564E	후진페달 조합	HST ASSY PEDAL(B)	1		
9	TA00042564B	후진페달 조합	HST ASSY PEDAL(B)	1		
9	TA00042564D	후진페달 조합	SHAFT, PEDAL ROD	1		
9	TA00042564F	후진페달 조합	REVERSE GEAR PEDAL ASS'Y	1		
9	TA00042564C	후진페달 조합	HST ASSY PEDAL(B)	1		
10	22351-060030	스프링핀	PIN, SPRING (6-30)	2		
11	TA00001508A	전후진페달커버	PEDAL COVER	2		
12	RA00007052A	오일댐퍼(한일)	OIL DAMPER(HANIL)	1		
13	RR64050000B4	빠짐방지 스톱핀 8	PIN 8, COME-OFF SNAP	2	D1.6	
13	RR64050000C4	빠짐방지 스톱핀 8	PIN 8, COME-OFF SNAP	2	D1.6	
13	RR64050000B4	빠짐방지 스톱핀 8	PIN 8, COME-OFF SNAP	2	D1.6	
14	22137-080000	와셔8	WASHER, PLAIN (Φ 08)	2	M8	
15	TCD9110000C2	스위치(FR)	SWITCH(FR)	1		
15	TCD9110000D2	스위치(FR)	SWITCH(FR)	1		
16	26014-060162	와셔조립육각볼트(+SW,PW)	Bolt, Hexa (6-16)	2	M6XP1.0X16	
17	HA00000037A	전자석	CRUISE MAGNET	1		
18	26106-080162	플랜지볼트8X16	SCREW,HEXFLANGEHEADCAP	6	M8XP1.25X16	
19	TA00042569B	연결조인트	JOINT	1		
19	TA00042569D	연결조인트	JOINT	1		
19	TA00042569C	연결조인트	JOINT	1		
20	26450-080702	육각구멍붙이볼트	BOLT	1		
21	TA00042567A	중립 조절 브래킷 조합	BRACKET ASSY	1		
21	TA00042567B	중립 조절 브래킷 조합	BRACKET ASSY	1		
22	24104-060034	볼베어링6003UU	Bearing, Ball (#6003) Dubble Cap	1	#6003UU	
23	22242-000170	축용스냅링17	SNAP RING, SHAFT (Φ 17)	1	D17(축용)	
24	24550-025150	BUSH25X15	BUSH 25X15	2	25X15	
25	TA00001830B	축	SHAFT	1	D36	
25	TA00001830D	축	SHAFT	1	D36	
25	TA00001830C	축	SHAFT	1	D36	
26	26013-100602	와셔조립육각볼트	BOLT	1		

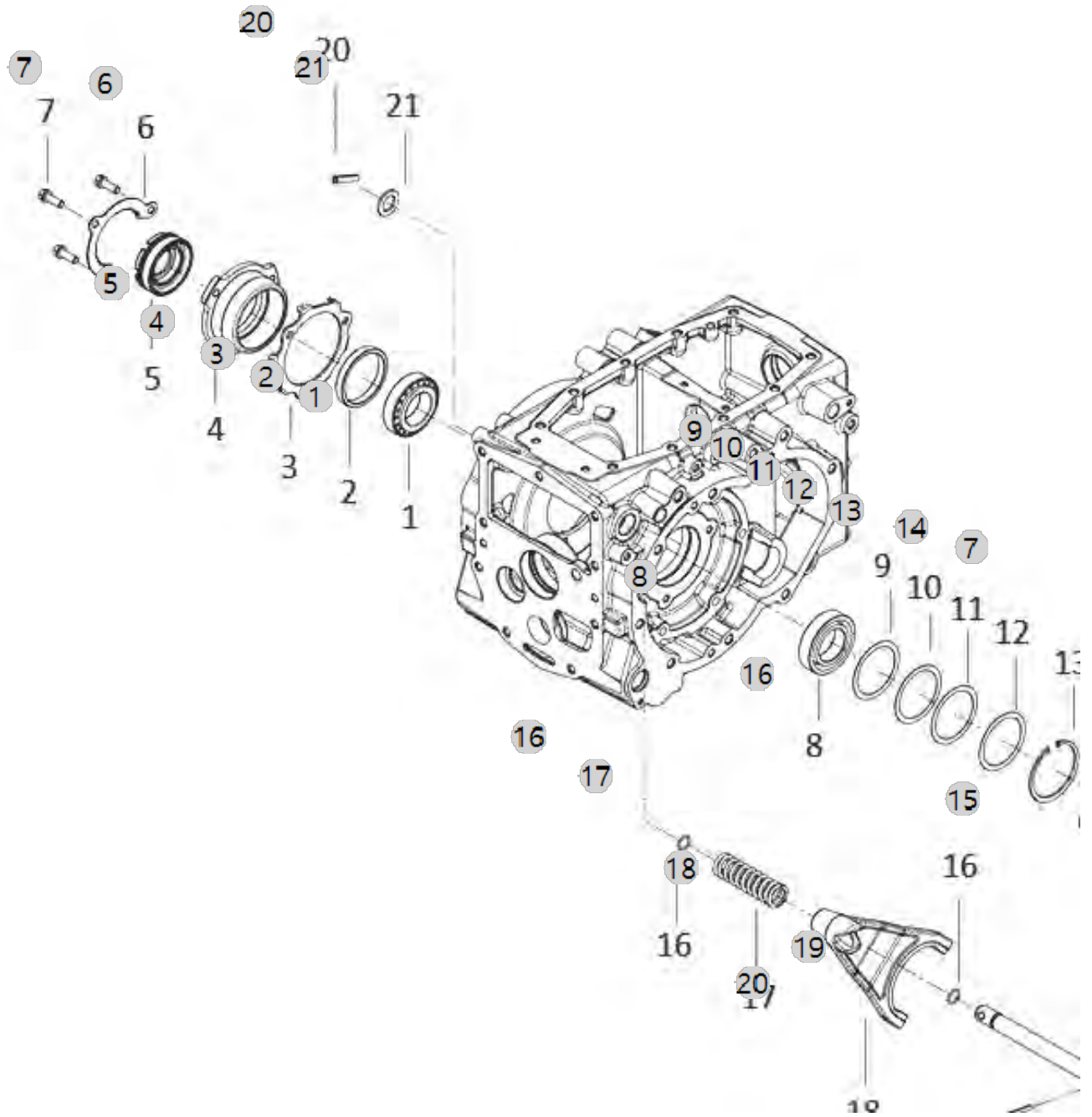
C04040

F36HN_EU_FL
(AC02130)

DIFFERENTIAL

Year/Month

2023-01-17



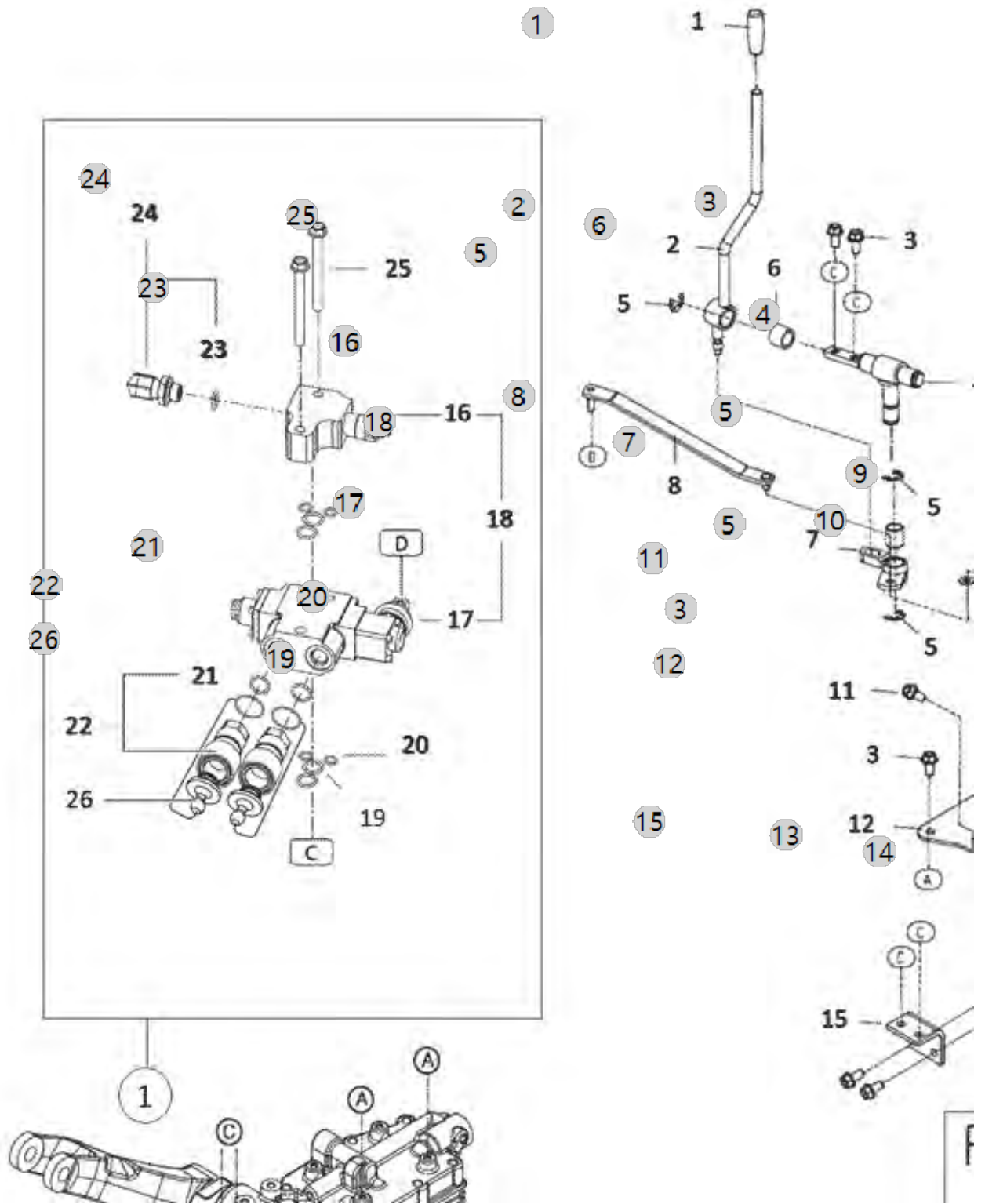
C04060

F36HN_EU_FL
(AC02130)

SCV LEVER

Year/Month

2023-01-17



C04060 F36HN_EU_FL (AC02130)		SCV LEVER				Year/Month
						2023-01-17
순번 (NO)	부품번호 (PART NO)	품명 (PART NAME)	품명 (PART NAME)	수량 (QTY)	규격 (SPEC)	비고 (REMARK)
1	VD05460000A4	손잡이(흑)	LEVER(BLACK)	1		
2	TA00041263B	레버A조합(K3)	LEVER ASS'Y(A)	1		
2	TA00041263A	레버A조합(K3)	LEVER ASS'Y(A)	1		
3	26106-080162	플랜지볼트8X16	SCREW,HEXFLANGEHEADCAP	6	M8XP1.25X16	
4	TA00034042B	축 조합	SHAFT ASS'Y	1		
4	TA00034042D	축 조합	SHAFT ASS'Y	1		
4	TA00034042A	축 조합	SHAFT ASS'Y	1		
4	TA00034042C	축 조합	SHAFT ASS'Y	1		
5	22272-000120	E형스냅링12	RING, CIRCLIP (Φ 12)	3	D12	
6	24550-016200	드라이부시16X20	DRY BUSH 16X20	2		
7	TA00036429A	보스 B 조합 PTO 3단	BOSS B ASS'Y PTO 3SD	1		
7	TA00036429B	보스 B 조합 PTO 3단	BOSS B ASS'Y PTO 3SD	1		
8	TA00034019B	링크1조합	LINK 1 ASS'Y	1		
8	TA00034019A	링크1조합	LINK 1 ASS'Y	1		
9	22417-200200	할핀	PIN , COTTER (2-20)	4	D1.8	
10	22137-080000	와셔8	WASHER, PLAIN (Φ 08)	4	M8	
11	26106-080182	444,ALL,플랜지볼트	SCREW,HEXFLANGEHEADCAP	4		
12	TA00036443C	브래킷	BRACKET	1		
12	TA00036443B	브래킷	BRACKET	1		
13	TA00036941B	SCV 고정 레버 브래킷 조합	HOLDING BRACKET, SCV LEVER	1		
13	TA00036941A	SCV 고정 레버 브래킷 조합	HOLDING BRACKET, SCV LEVER	1		
14	26106-100162	플랜지볼트M10X16	SCREW,HEXFLANGEHEADCAP	2	M10XP1.5X16	
15	TA00036949B	고정브라켓	BRACKET	1		
15	TA00036949A	고정브라켓	BRACKET	1		
16	TA00033977C	컨트롤 릴리프	COVER RELIEF	1		
16	TA00033977B	컨트롤 릴리프	COVER RELIEF	1		
16	TA00033977A	컨트롤 릴리프	COVER RELIEF	1		
17	TA00028226B	SCV 1	SCV	1		
17	TA00028226A	SCV 1	REAR SCV 1	1		
17	TA00028226C	SCV 1	SCV 1	1		
17	TA00048561B	SCV(FLOATING)	SCV(FLOATING)	1		
17	TA00048561A	SCV(FLOATING)	SCV(FLOATING)	1		
17	TA00048561C	SCV(FLOATING)	SCV(FLOATING)	1		
18	TA00042202A	SCV(2PORT)	SCV(2PORT)	1		
18	TA00042202C	SCV(2PORT)	SCV(2PORT)	1		
18	TA00042202B	SCV(2PORT)	SCV(2PORT)	1		
19	24311-000160	O-링 P 16	O-RING, DYNAMIC (Φ16)	4	P16	
20	24311-000100	O-링1AP10.0	O-RING, DYNAMIC (Φ10)	4	P10	
21	24311-000150	O-링(P형)	O-RING, DYNAMIC (Φ15)	2	P15	
22	TA00043300A	퀵커플러(1/2")	QUICK COUPLUNG(1/2")	2		
22	TA00043300B	퀵커플러(1/2")	QUICK COUPLUNG(1/2")	2		
23	24311-000140	운동용O링	SEAL,ORING	1	P14	
24	TA00035078B	90도 엘보 (PF3/8-1/2)	ELBOW	1		
24	TA00035078A	90도 엘보 (PF3/8-1/2)	ELBOW	1		
25	26106-100852	육각플랜지볼트	BOLT	2		

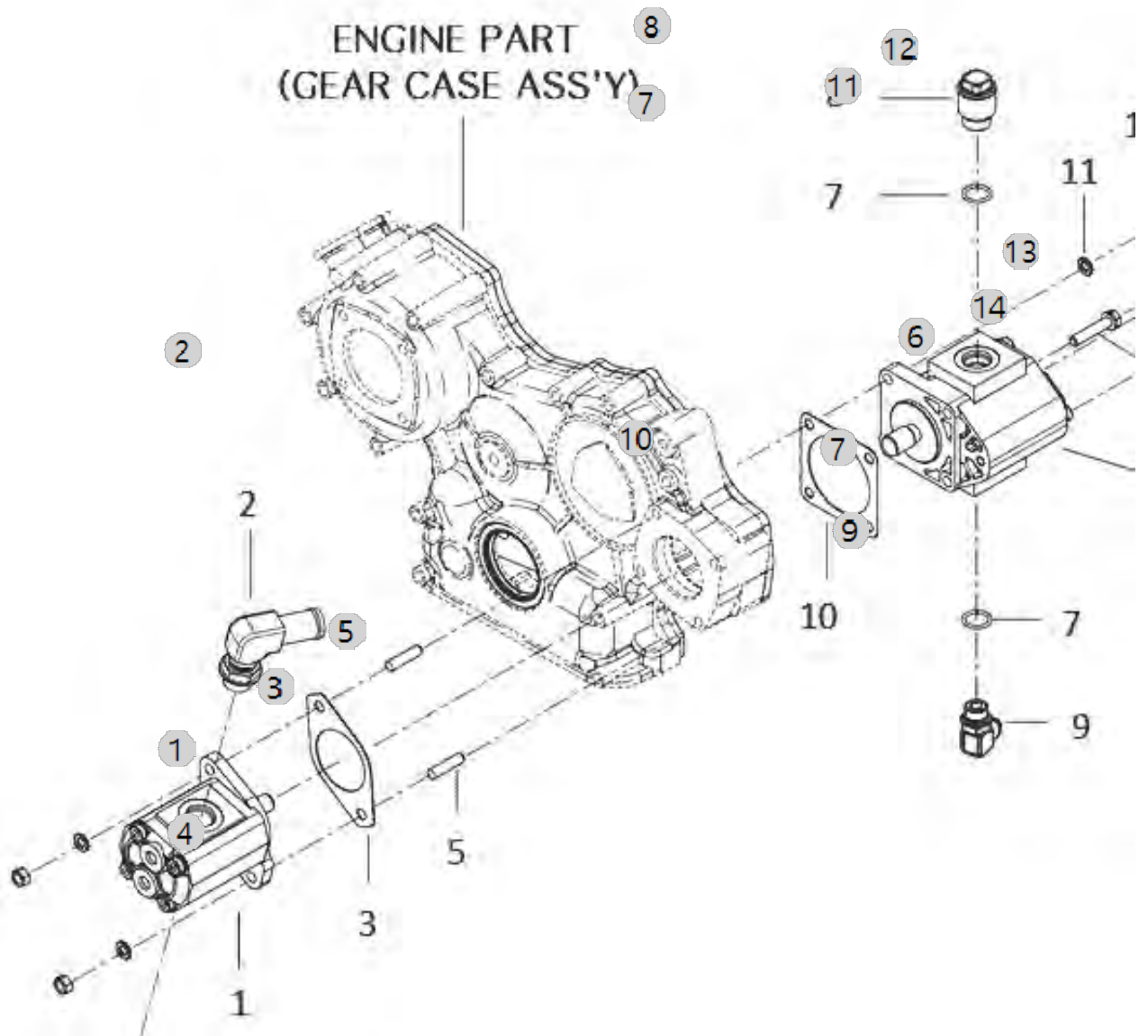
D01010A

F36HN_EU_FL
(AC02130)

HYD PUMP

Year/Month

2023-01-17



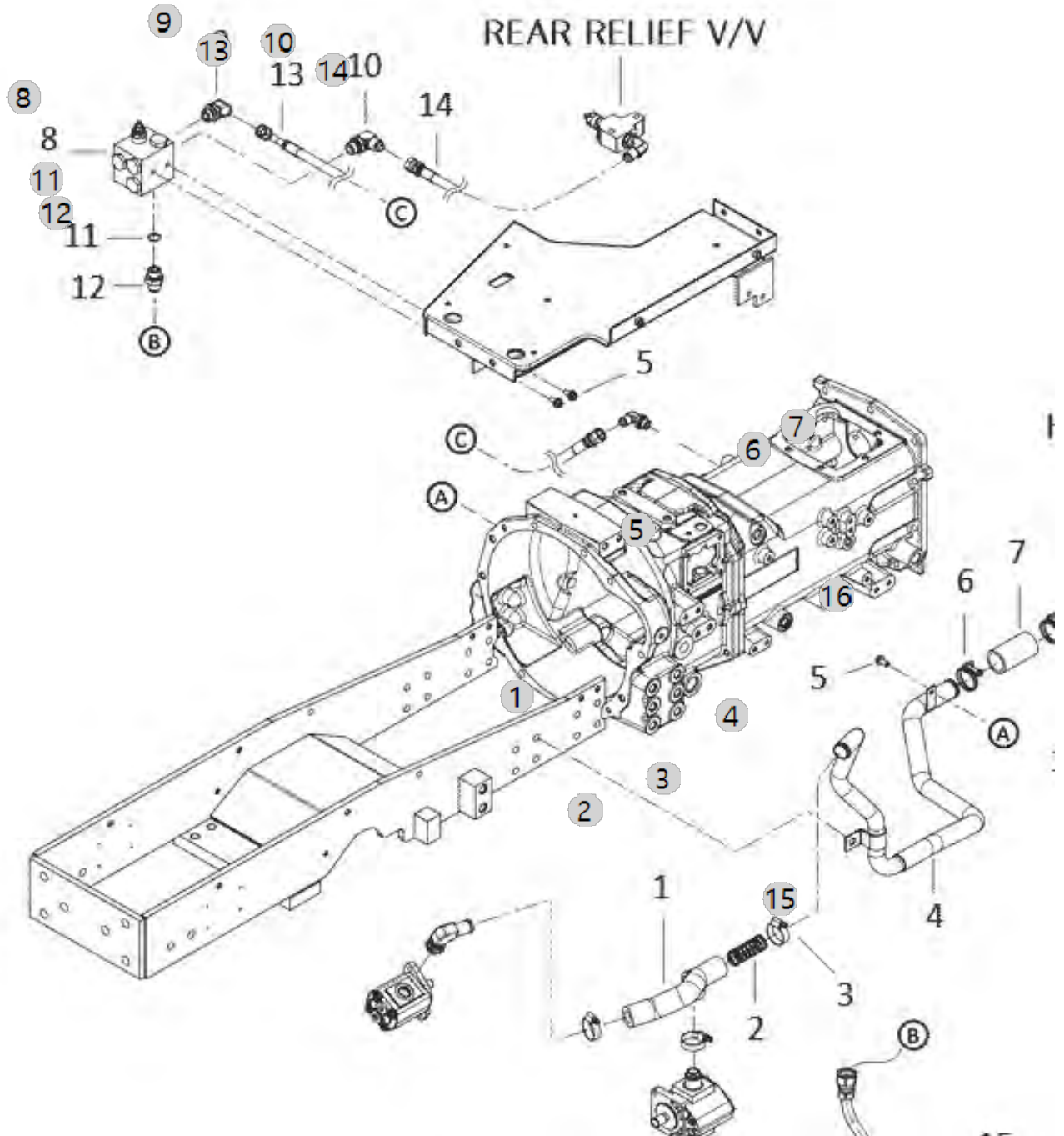
D01020A

F36HN_EU_FL
(AC02130)

LOW PRESSURE PIPE

Year/Month

2023-01-17



D01020A F36HN_EU_FL (AC02130)	LOW PRESSURE PIPE	Year/Month
		2023-01-17

순번 (NO)	부품번호 (PART NO)	품명 (PART NAME)	품명 (PART NAME)	수량 (QTY)	규격 (SPEC)	비고 (REMARK)
1	TA00039695B	저압고무호스	RUBBER HOSE	1		
2	TTB4360000A4	스프링A	SPRINGA	1		
3	23000-041000	HOSECLAMP	HOSECLAMP	3		
4	TA00046513B	저압파이프(K3)	PIPE(K3)	1		
5	26106-080162	플랜지볼트8X16	SCREW,HEXFLANGEHEADCAP	3	M8XP1.25X16	
6	TA00045083A	호스밴드	HOSE BAND	1		
6	TA00045083B	호스밴드	HOSE BAND	1		
7	TA00040493B	저압호스	HOSE	1		
7	TA00040493C	저압호스	HOSE	1		
8	TA00039335A	전방인출밸브	VALVE, FRONT	1		
9	FB34060000A4	자리부착 엘보우 1/2 - 3/8	ELBOW	1		
9	FB34060000B4	자리부착 엘보 1/2-3/8	ELBOW	1		
10	TA00039579B	엘보(PF1/2)	ELBOW	1		
10	TA00039579A	엘보(PF1/2)	ELBOW	1		
11	24311-000180	O-RING(P18)	O-RING, DYNAMIC (Φ18)	1	P18	
12	CVE4020000B4	니플1/2	NIPPLE 1/2	1		
12	CVE4020000A4	니플1/2	NIPPLE	1		
13	TA00043503A	유압호스(3/8)	HOSE	1		
14	TA00043502B	고압호스HST(1/2)	HOSE	1		
15	TA00043812C	고압파이프(1/2)	PIPE ASSY	1		
15	TA00043812B	고압파이프(1/2)	PIPE ASSY	1		
16	23010-044000	호스밴드	HOSEBAND	1	D44	

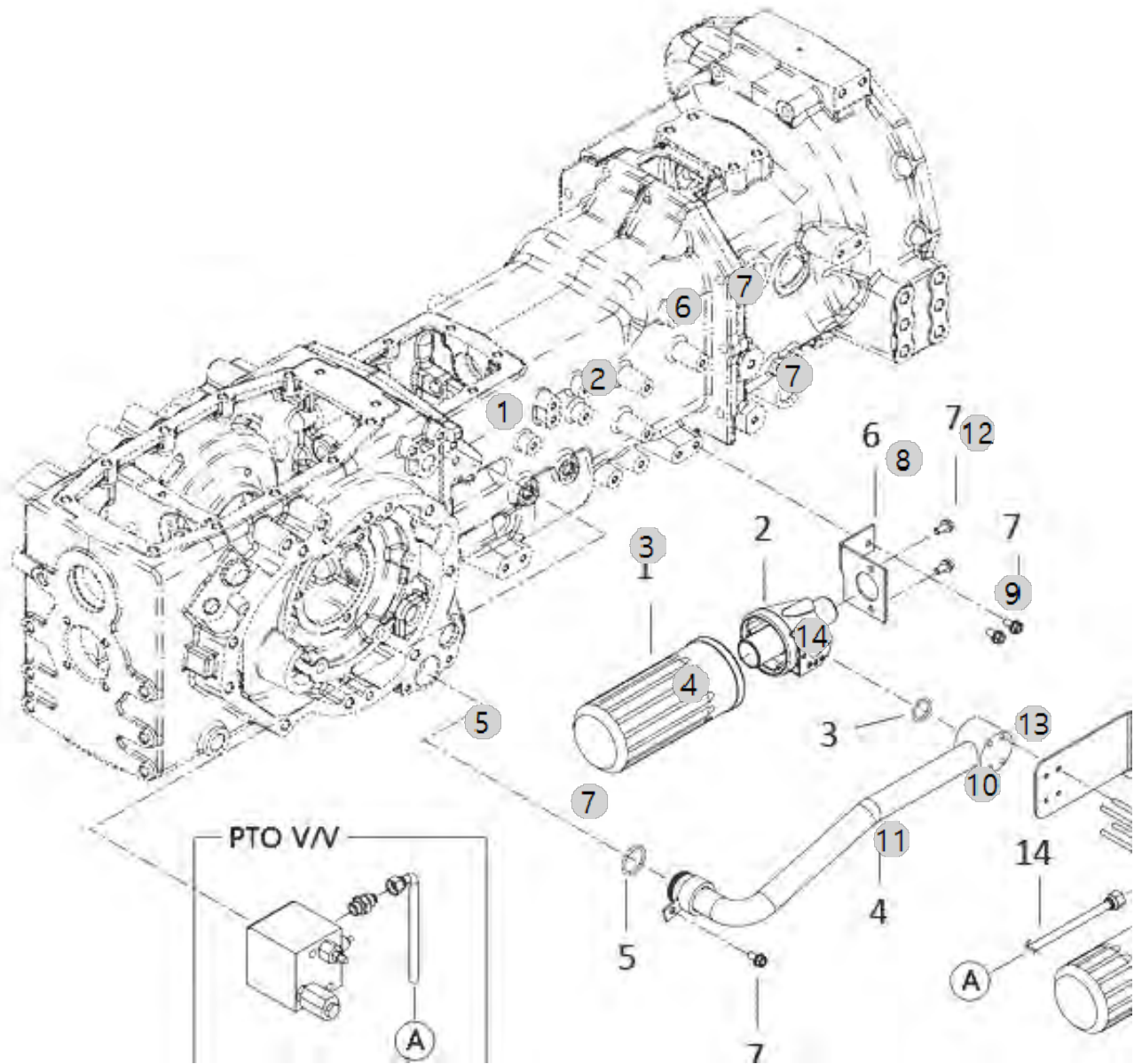
D01040

F36HN_EU_FL
(AC02130)

HYD FILTER

Year/Month

2023-01-17



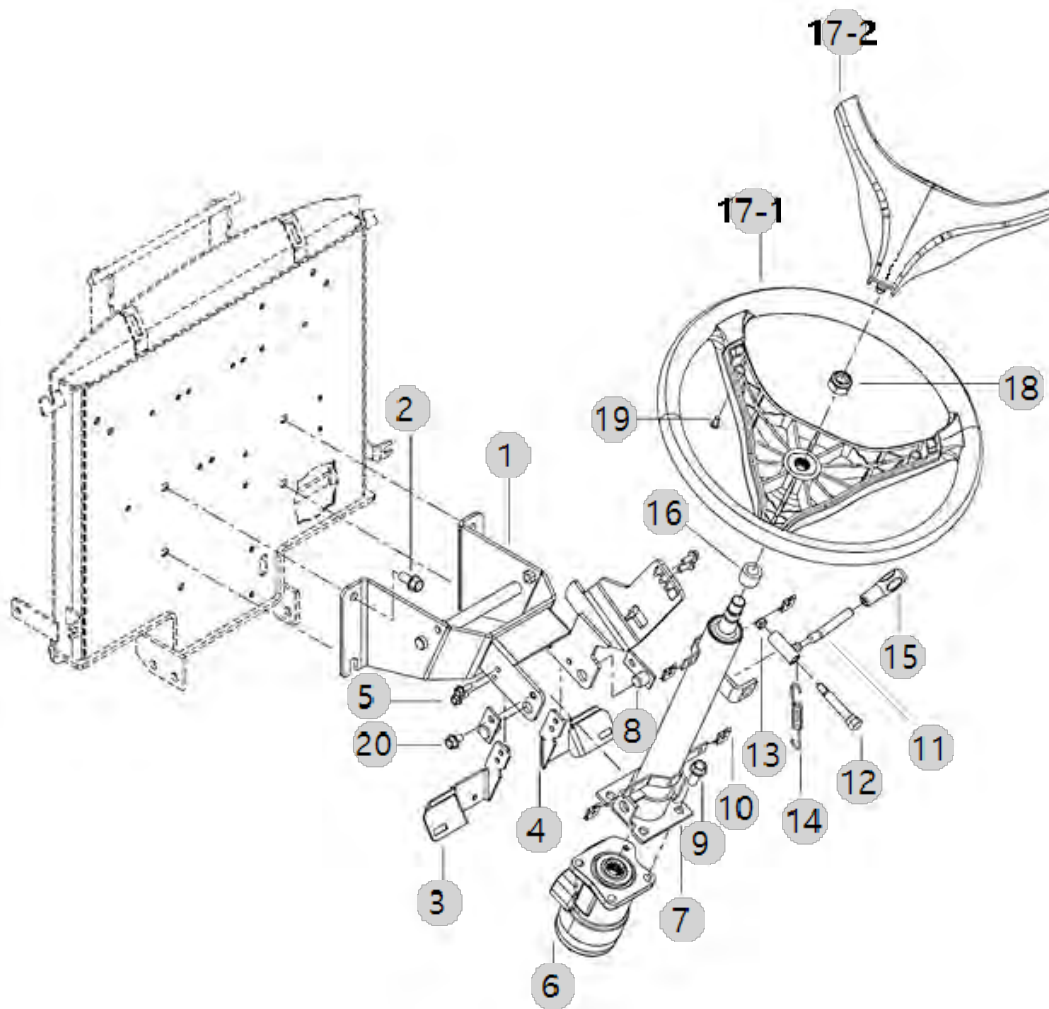
D02010

F36HN_EU_FL
(AC02130)

STEERING COLUMN

Year/Month

2023-01-17



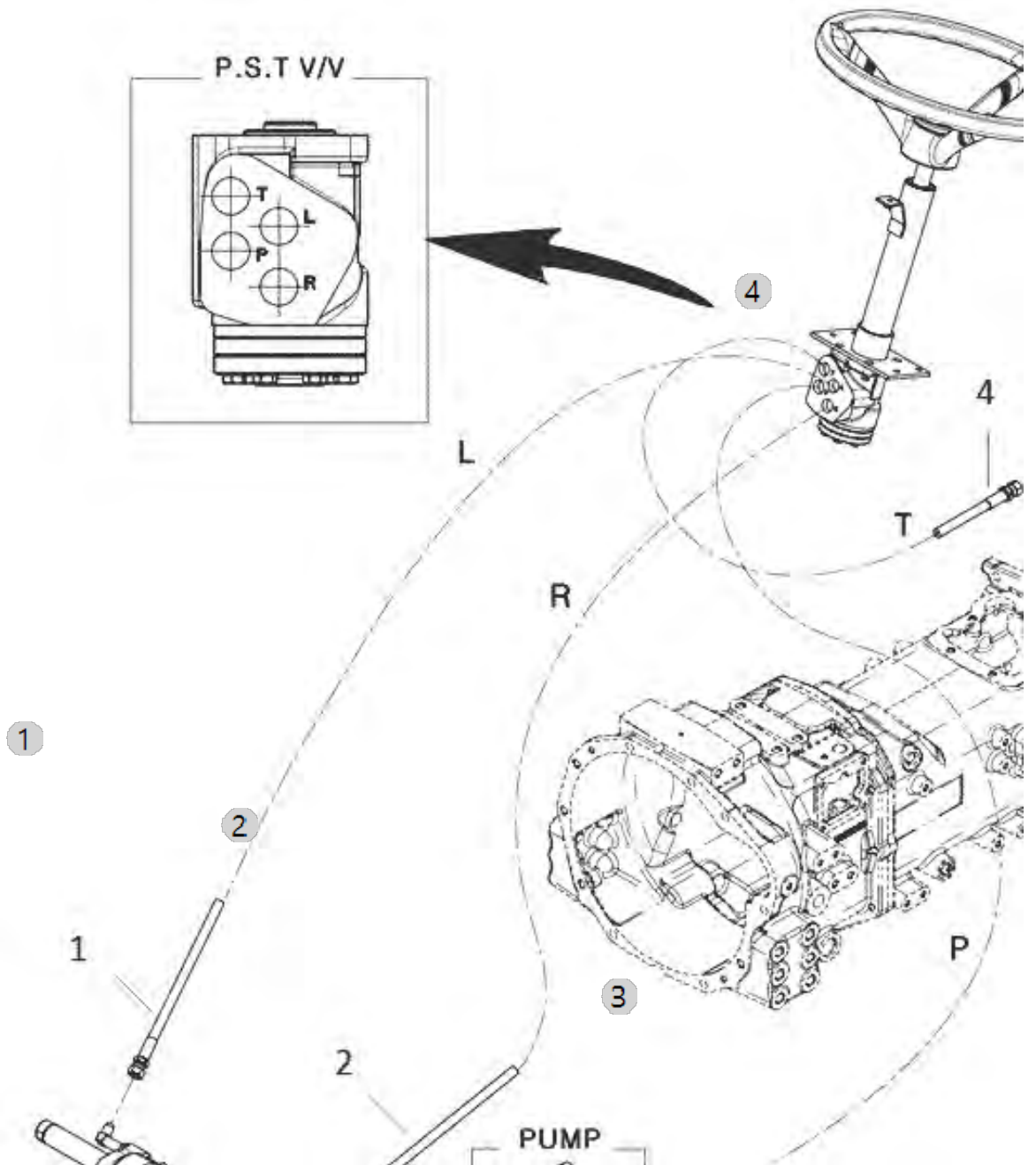
D02030

F36HN_EU_FL
(AC02130)

P.S.T HOSE

Year/Month

2023-01-17



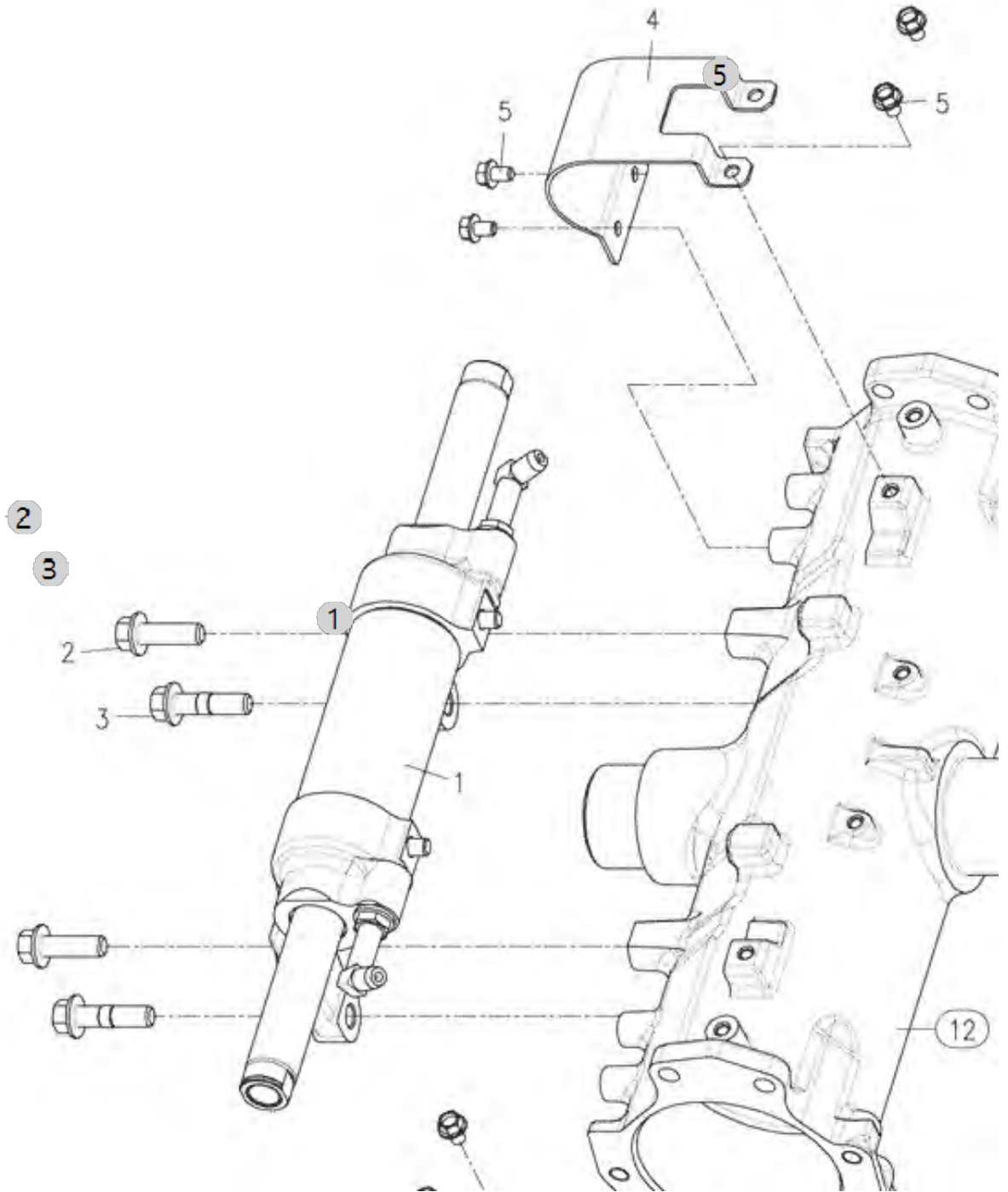
D02040A

F36HN_EU_FL
(AC02130)

P.S.T CYLINDER

Year/Month

2023-01-17



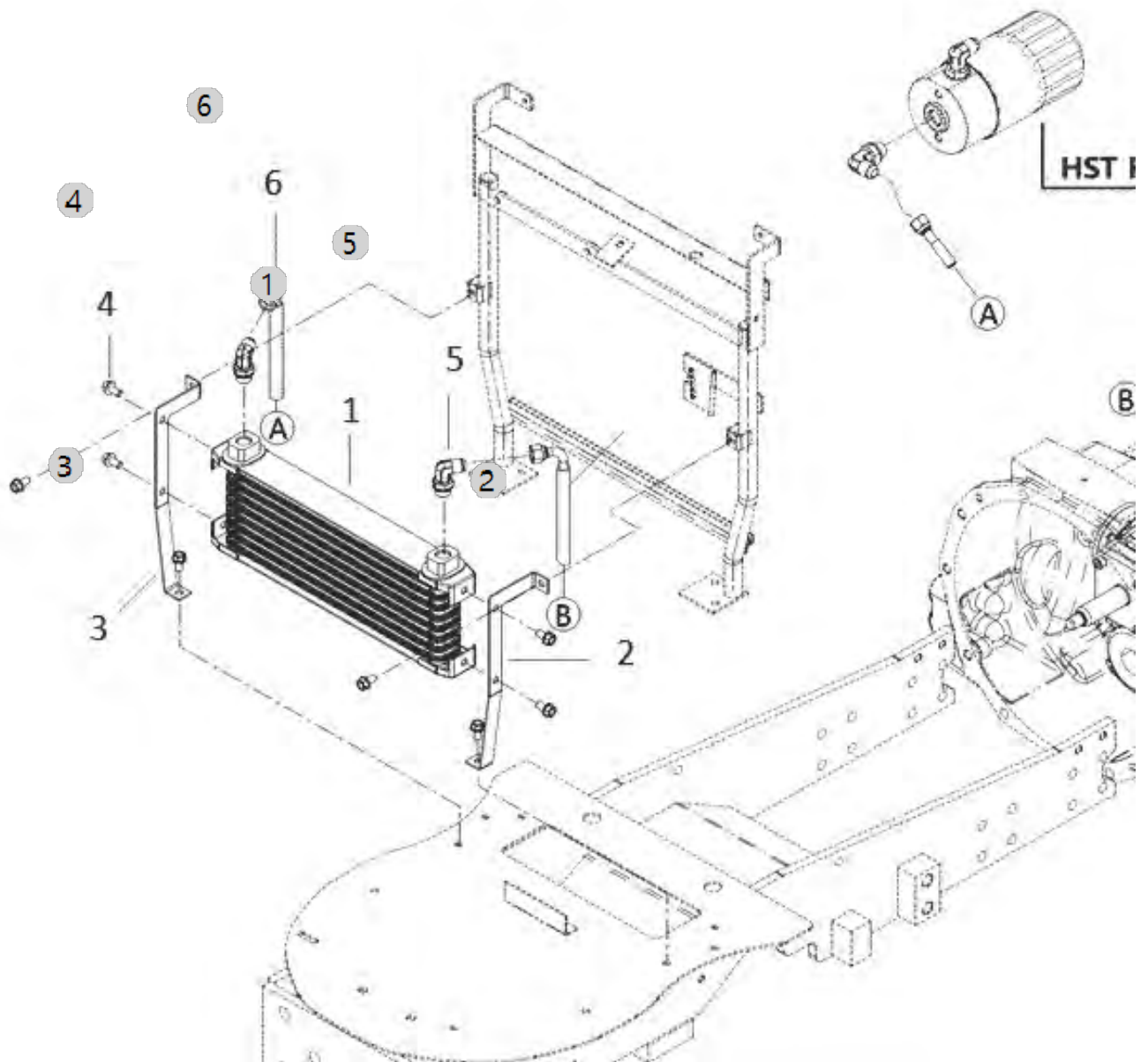
D03010

F36HN_EU_FL
(AC02130)

OIL COOLER

Year/Month

2023-01-17



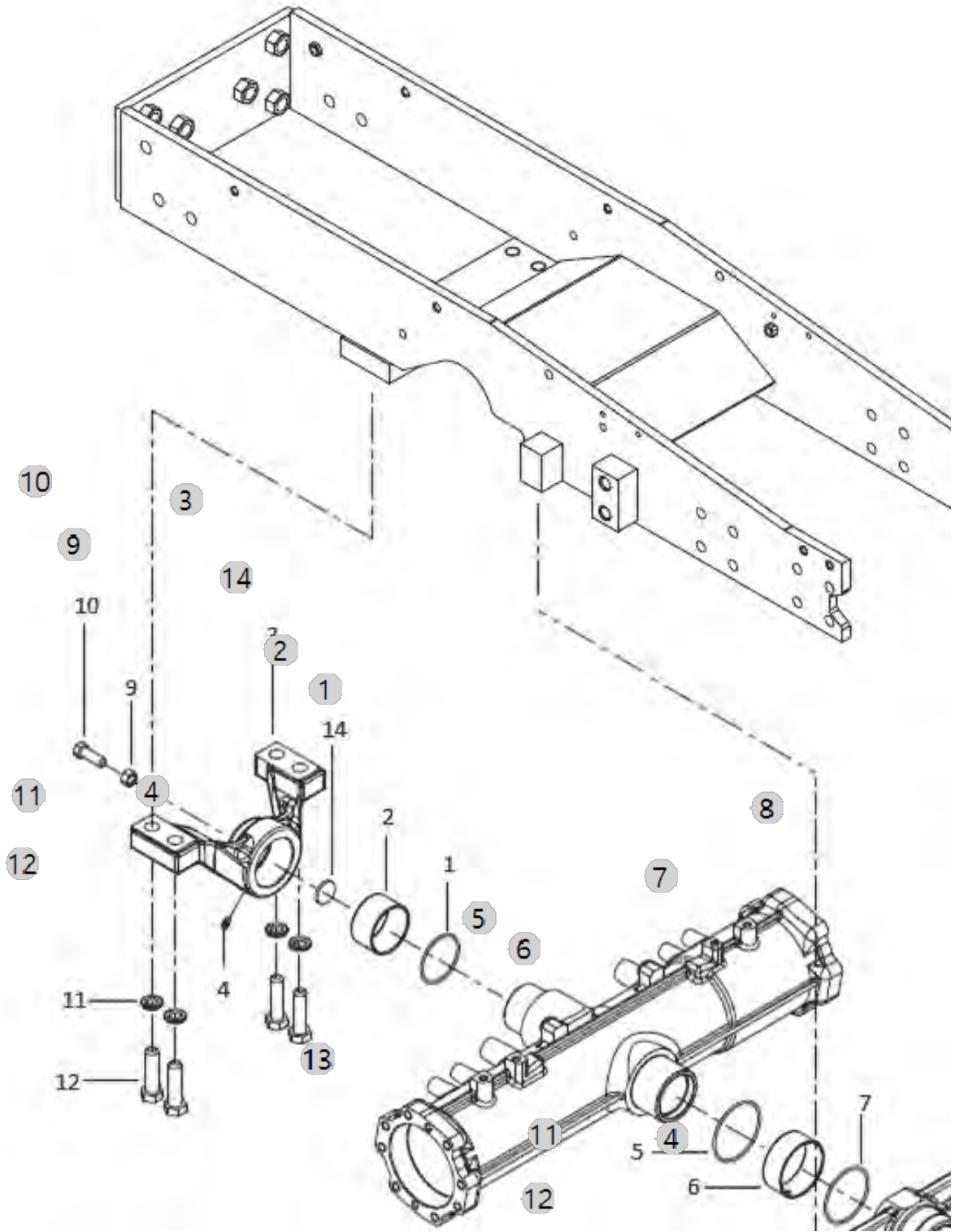
E01010A

F36HN_EU_FL
(AC02130)

FRONT AXLE CASE

Year/Month

2023-01-17



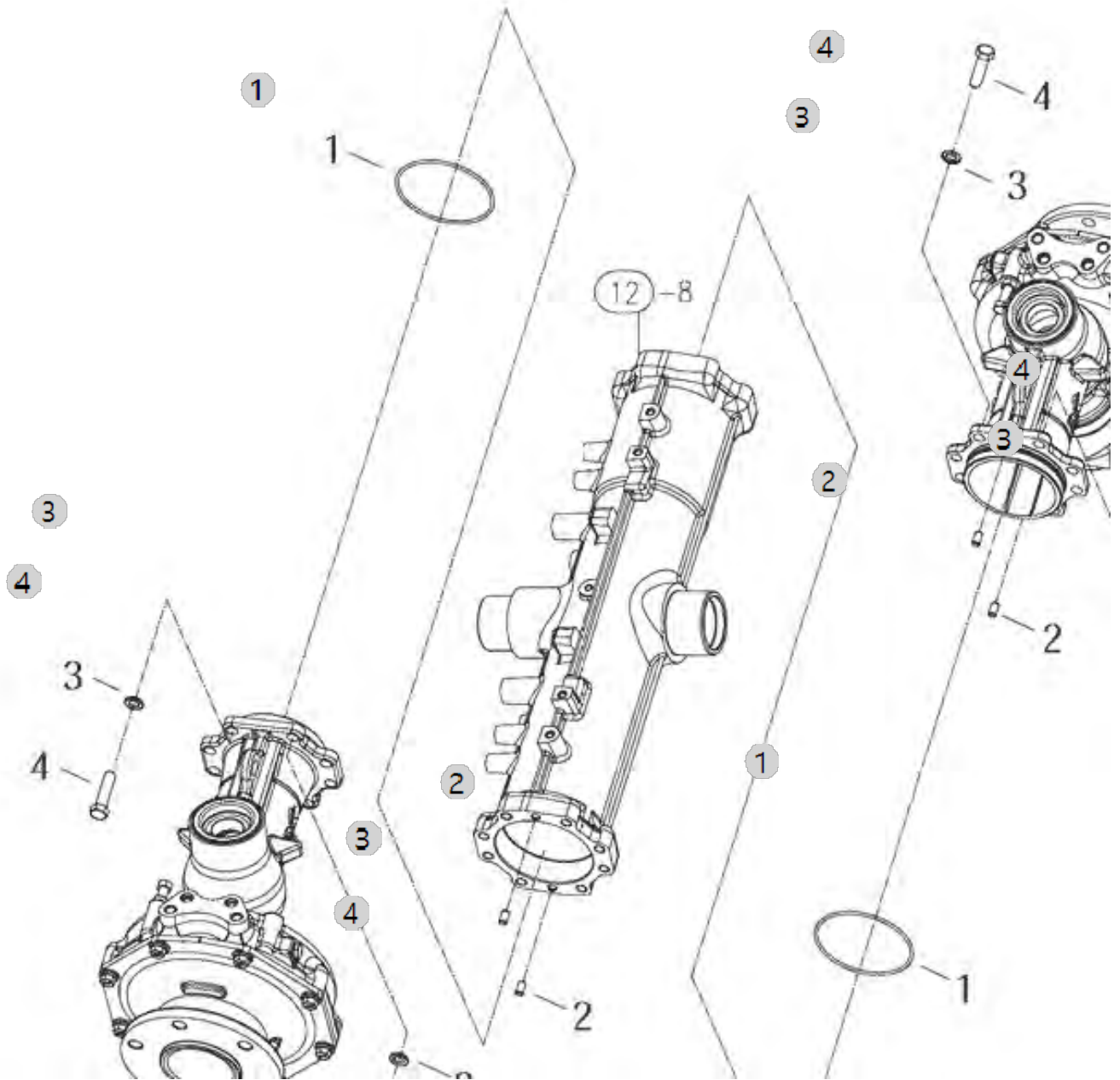
E01013

F36HN_EU_FL
(AC02130)

SPACER

Year/Month

2023-01-17



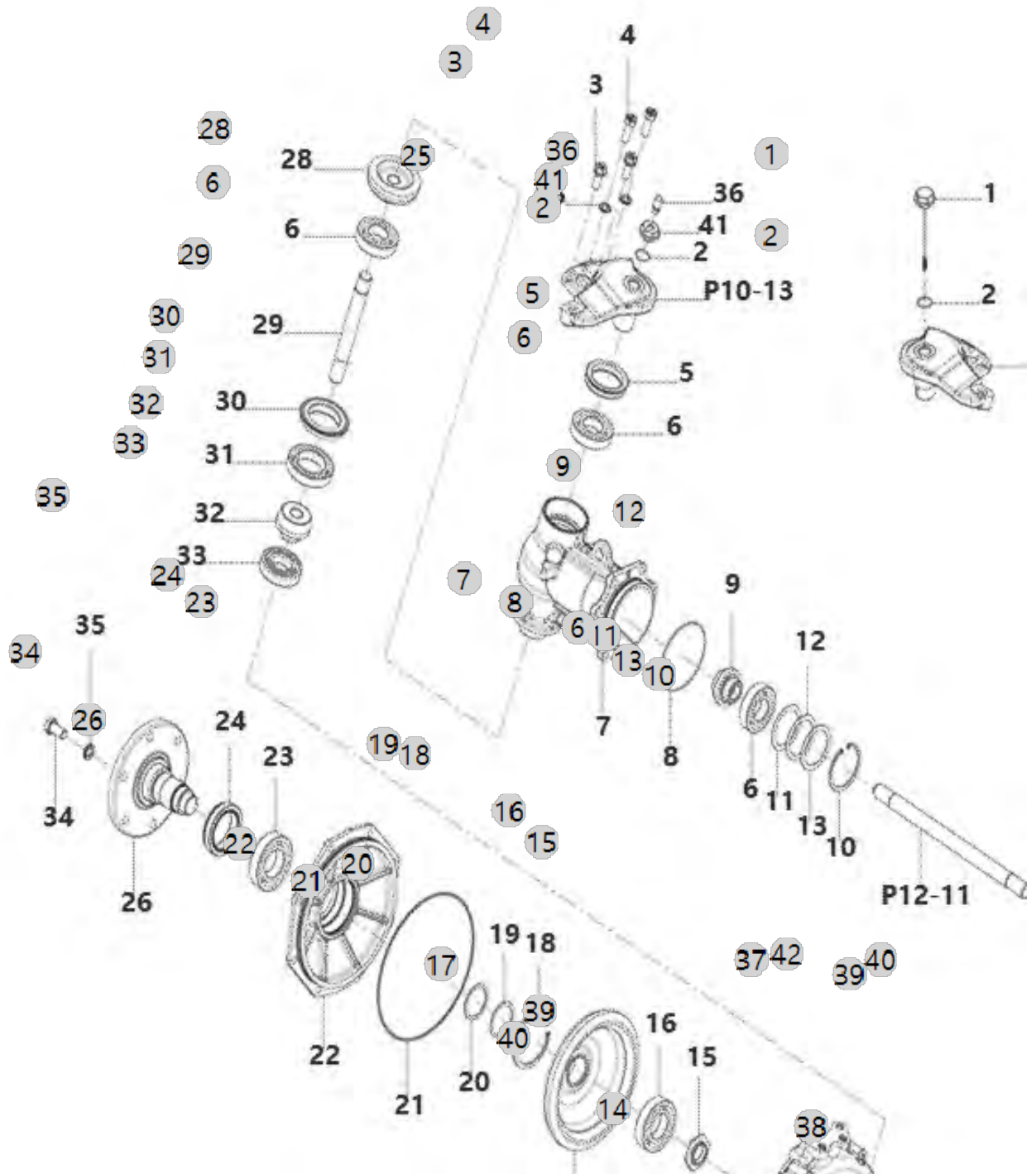
E01030A

F36HN_EU_FL
(AC02130)

GEAR CASE, FRONT AXLE

Year/Month

2023-01-17



E01030A F36HN_EU_FL (AC02130)		GEAR CASE, FRONT AXLE				Year/Month 2023-01-17
순번 (NO)	부품번호 (PART NO)	품명 (PART NAME)	품명 (PART NAME)	수량 (QTY)	규격 (SPEC)	비고 (REMARK)
1	TA00041646A	검유봉	DIP STICK	1		
2	24311-000220	O-RING1AP-22.0	O-RING, DYNAMIC (Φ22)	2	1A P22.0	
3	TA00033468B	와셔조립육각볼트	BOLT W/ WASHER	4		
3	TA00033468C	와셔조립육각볼트	BOLT W/ WASHER	4		
4	TA00033475A	리머볼트	RIMER BOLT	4		
4	TA00033475B	리머볼트	SPACER	4		
5	FE78010000B	오일실 (특수) 55x72x13.5	OIL SEAL (55X72X13.5)	2	55X72X13.5	
6	24101-062074	볼베어링6207	BALL BEARING (#6207)	6	#6207	
7	TA00041533B	프런트기어케이스	FRONT GEAR CASE L	2		
8	24321-001050	O-링	O-RING	2		
9	TA00033461A	전1축피니언9T	PINION, FRONT 1ST SHAFT	2		
9	TA00033461B	전1축피니언9T	PINION, FRONT 1ST SHAFT	2		
10	22252-000720	구멍용스냅링72	RING, CIRCLIP (Φ 72)	2	D72	
11	TA00033489A	심 0.2T	SHIM 0.2T	2		
12	TA00033488A	심 0.3T	SHIM 0.3T	2		
13	TA00033487A	심 0.5T	SHIM 0.5T	2		
14	TA00033458B	프런트기어박스	GEAR BOX, FRONT	2		
15	TA00033481A	로크너트	LOCK NUT	2		
16	24101-062084	볼베어링6208	Bearing, Ball (#6208)	2	#6208	
17	TA00033474A	베벨기어 49T	GEAR, BEVEL 49T	2		
18	22252-000850	써클립85H	RING, CIRCLIP (Φ 85)	2		
19	TA00033486A	심 0.2T	SHIM 0.2T	1		
20	TA00033485A	심 0.5T	SHIM 0.5T	1		
21	TA00033939A	O링	O RING	2		
22	TA00033459B	프런트베어링케이스	BEARING CASE, FRONT	1		
23	24101-062094	볼베어링6209	BALL BEARING (#6209)	2	#6209	
24	TA00041359A	오일실	OILSEAL	2		
25	22217-120000	스프링와셔	WASHER, SPRING (Φ 12)	2	M12	
26	TA00033460E	프런트스핀들	SPINDLE, FRONT	2		
26	TA00033460D	프런트스핀들	SPINDLE, FRONT	2		
26	TA00033460B	프런트스핀들	SPINDLE, FRONT	2		
27	TA00033469B	와셔조립육각볼트	BOLT W/ WASHER	16		
27	TA00033469A	와셔조립육각볼트	BOLT W/ WASHER	16		
28	TA00033463A	전2축기어	FRONT 2ND AXLE LH	2		
29	TA00033464A	전2축	FRONT 2ND SHAFT	2		
30	TC60110000A3	오일실(AJ)	SEAL, OIL	2		
31	24101-060104	볼베어링6010	Bearing, Ball (#6010)	2	#6010	
32	TA00033473A	베벨기어 11T	GEAR, BEVEL 11T	2		
33	TC60340000A4	베어링TM207C3	BEARING(TM207C3)	2	TM207C3	
34	TD23120000B4	프런트 허브 볼트(M14X28)	BOLT	12	M14XP1.5	
34	TD23120000A4	보울트(M14X28)	BOLT	12	M14XP1.5	
35	22217-140000	스프링와셔14	WASHER, SPRING (Φ 14)	12	M14	
36	TA00049842B	에어브리더(STEEL)	AIR BREATHER	1		
36	TA00049842A	에어브리더(STEEL)	AIR BREATHER	1		
37	TA00058613A	스톱퍼(25.5)	STOPPER(25.5)	2		

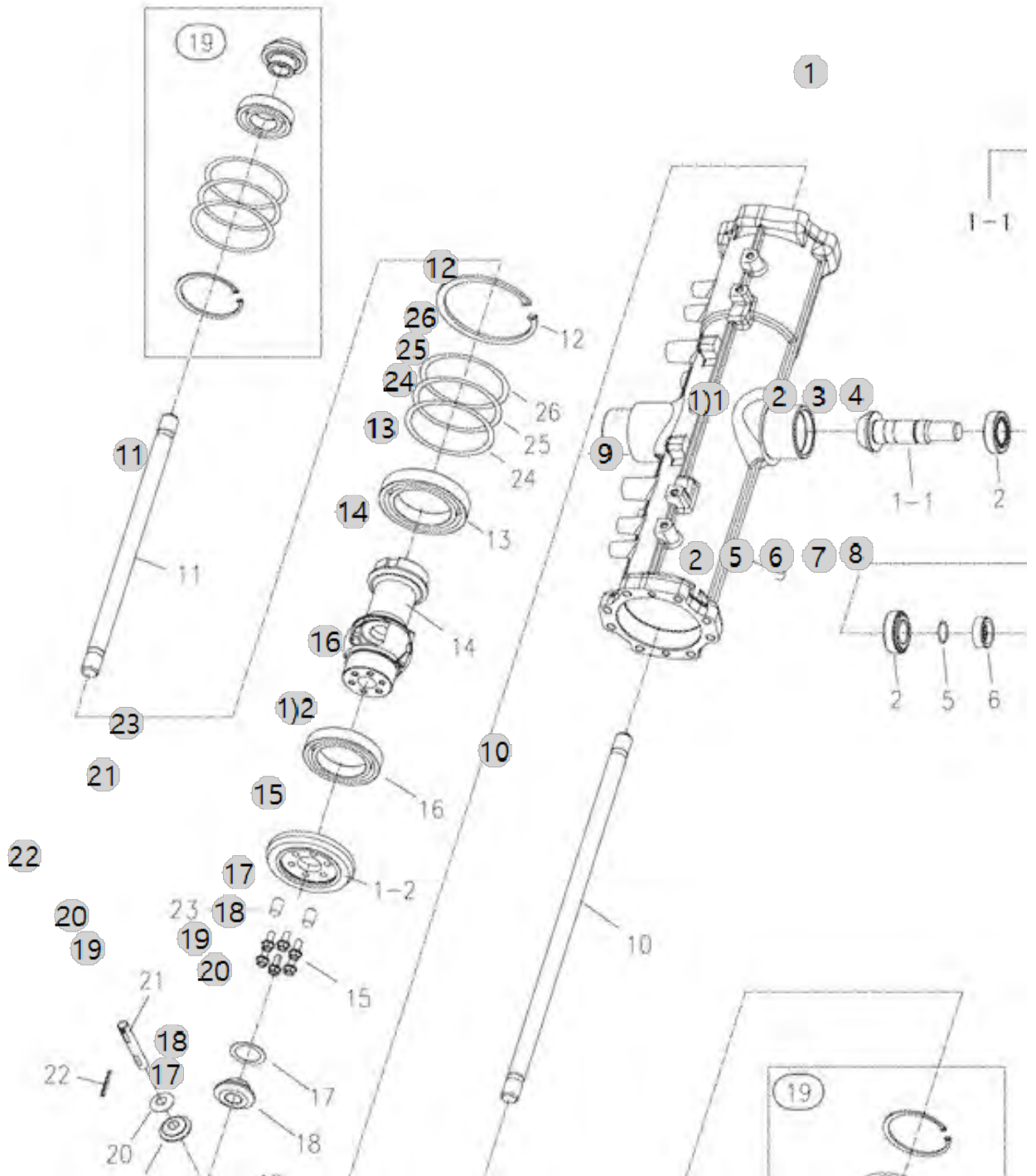
E01070A

F36HN_EU_FL
(AC02130)

RING GEAR, DRIVEN GEAR

Year/Month

2023-01-17



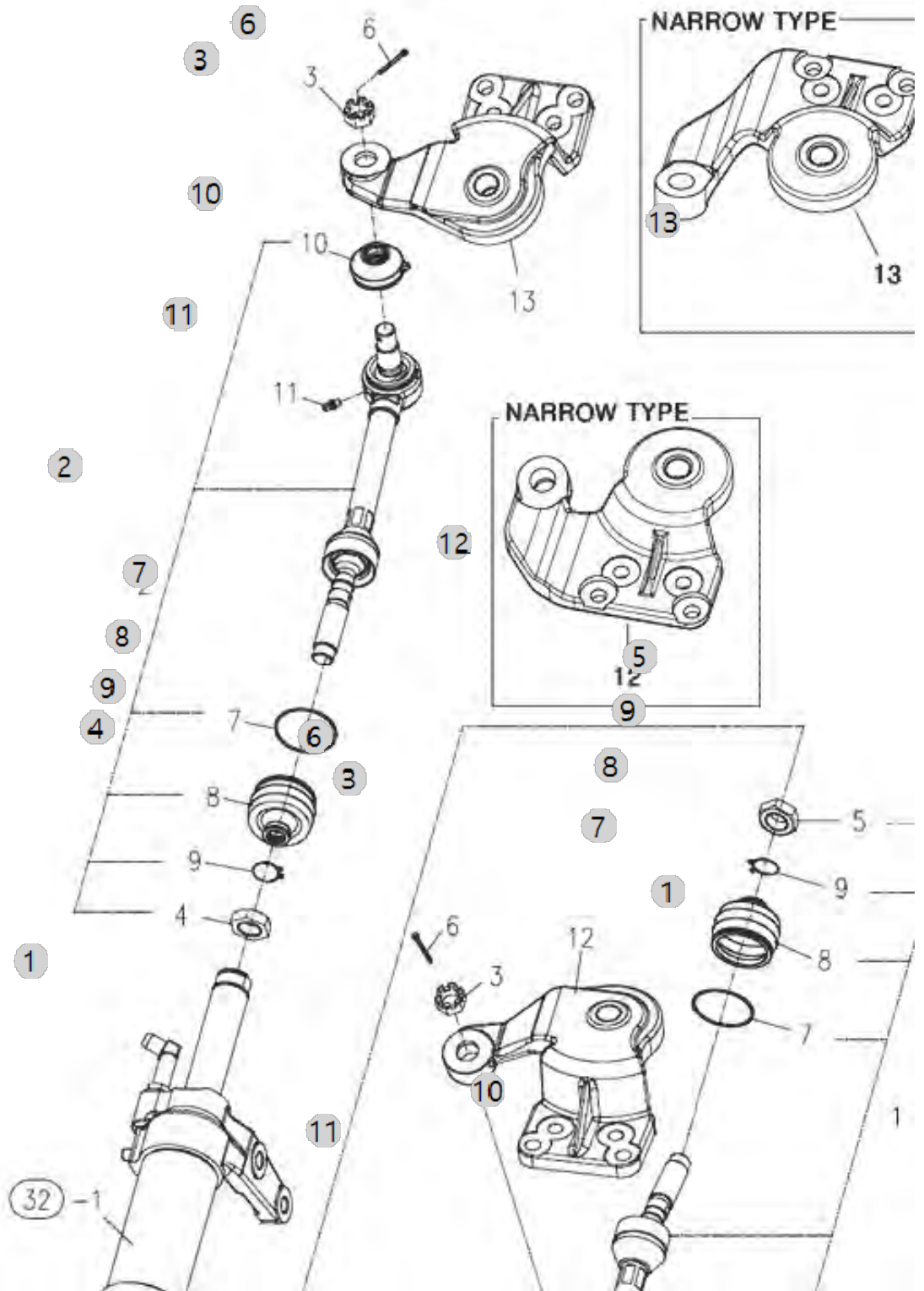
E01080A

F36HN_EU_FL
(AC02130)

TIE ROAD

Year/Month

2023-01-17



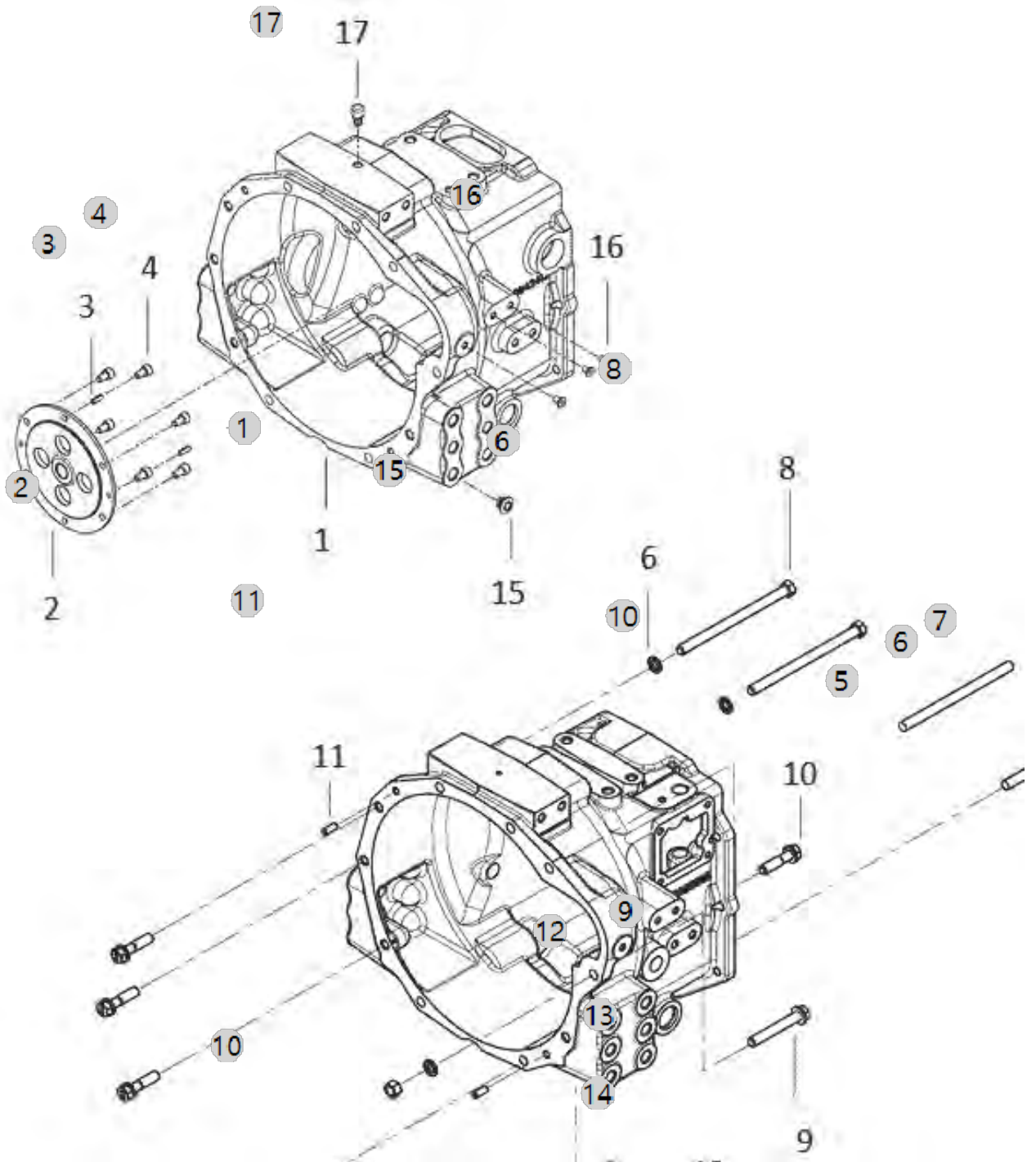
F01010

K3_HST_TM(EU)_NEC
(AC01492)

CLUTCH HOUSING

Year/Month

2023-01-17



F01010 K3_HST_TM(EU)_NEC (AC01492)		CLUTCH HOUSING				Year/Month 2023-01-17
순번 (NO)	부품번호 (PART NO)	품명 (PART NAME)	품명 (PART NAME)	수량 (QTY)	규격 (SPEC)	비고 (REMARK)
1	TA00042413B	클러치하우징	CLUTCH HOUSING	1		
1	TA00042413C	클러치하우징	CLUTCH HOUSING	1		
1	TA00042413D	클러치하우징	CLUTCH HOUSING	1		
1	TA00042413E	클러치하우징	CLUTCH HOUSING	1		
1	TA00042413F	클러치하우징	CLUTCH HOUSING	1		
1	TA00042413G	클러치하우징	CLUTCH HOUSING	1		
1	TA00042413H	클러치하우징	CLUTCH HOUSING	1		
1	TA00042413I	클러치하우징	CLUTCH HOUSING	1		
1	TA00042413J	클러치하우징	CLUTCH HOUSING	1		
2	TA00038871C	PTO슬리브	SLEEVE	1		
2	TA00038871E	PTO슬리브	SLEEVE	1		
2	TA00038871B	PTO슬리브	SLEEVE	1		
2	TA00038871D	PTO슬리브	SLEEVE	1		
3	22351-060016	스프링핀	PIN, SPRING (6-16)	2	D6X16	
4	26450-080142	육각소켓캡보울트	BOLT	6	M8X14	
5	TA00040214B	심음볼트(185mm)	BOLT	2		
5	TA00040214C	심음볼트(185mm)	BOLT	2		
6	22217-120000	스프링와셔	WASHER, SPRING (Φ 12)	5	M12	
7	26716-120002	295,ALL,육각너트	HEXA NUT295	3	M12X1.75	
8	TA00040213C	육각볼트(175mm)	HEX BOLT	2		
8	TA00040213B	육각볼트(175mm)	HEX BOLT	2		
9	TA00040292B	볼트(M12xP1.75)	HEX BOLT	1		
9	TA00040292A	볼트(M12xP1.75)	HEX BOLT	1		
10	FB36330000B4	와셔조립육각볼트(+SW)	HEX BOLT WITH WASHER	5	M12XP1.75X5	
10	FB36330000A4	와셔조립육각볼트(+SW)	Hex Bolt With Washer	5	M12XP1.75X5	
11	22312-080180	평행핀	PIN, DOWEL (8-18)	2	D8X18	
12	22417-300250	가름핀3X25	PIN , COTTER (3-25)	1	D3.0X25	
13	TA00038610A	커버	COVER, CLUTCH HOUSING	1		
13	TA00038610B	커버	COVER, CLUTCH HOUSING	1		
14	26106-100202	육각플랜지볼트	HEX BOLT, (10-20)	4	M10XP1.5X20	
15	TA00055258A	고무플러그(14)	PLUG(14)	12		
16	TB26060000A4	플러그7.8	PLUGRUBBER	3		
17	TA00034078A	에어 브리더	AIR BREATHER	1		DEL.20220623

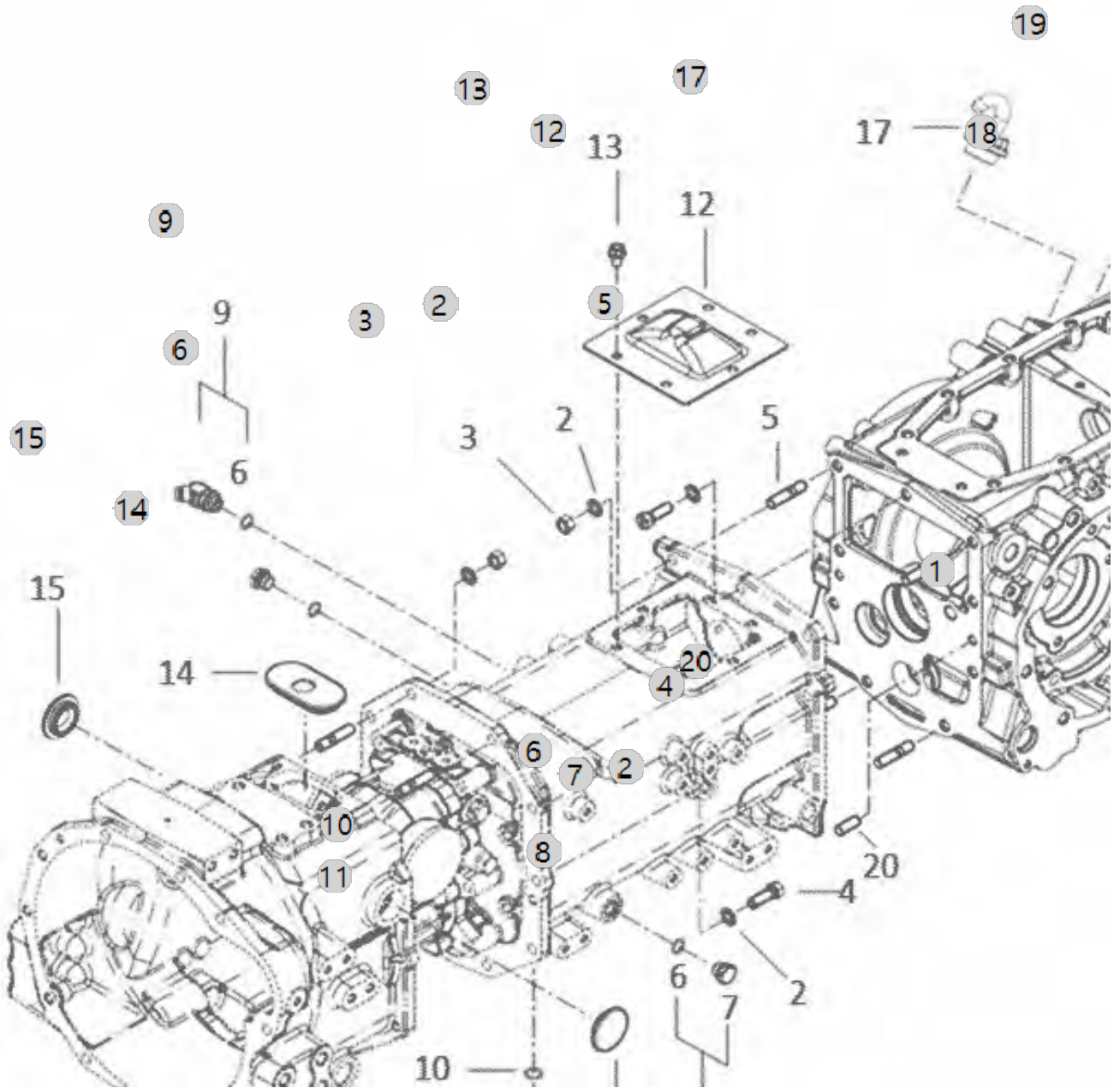
F01020

K3_HST_TM(EU)_NEC
(AC01492)

TRANSMISSION CASE

Year/Month

2023-01-17



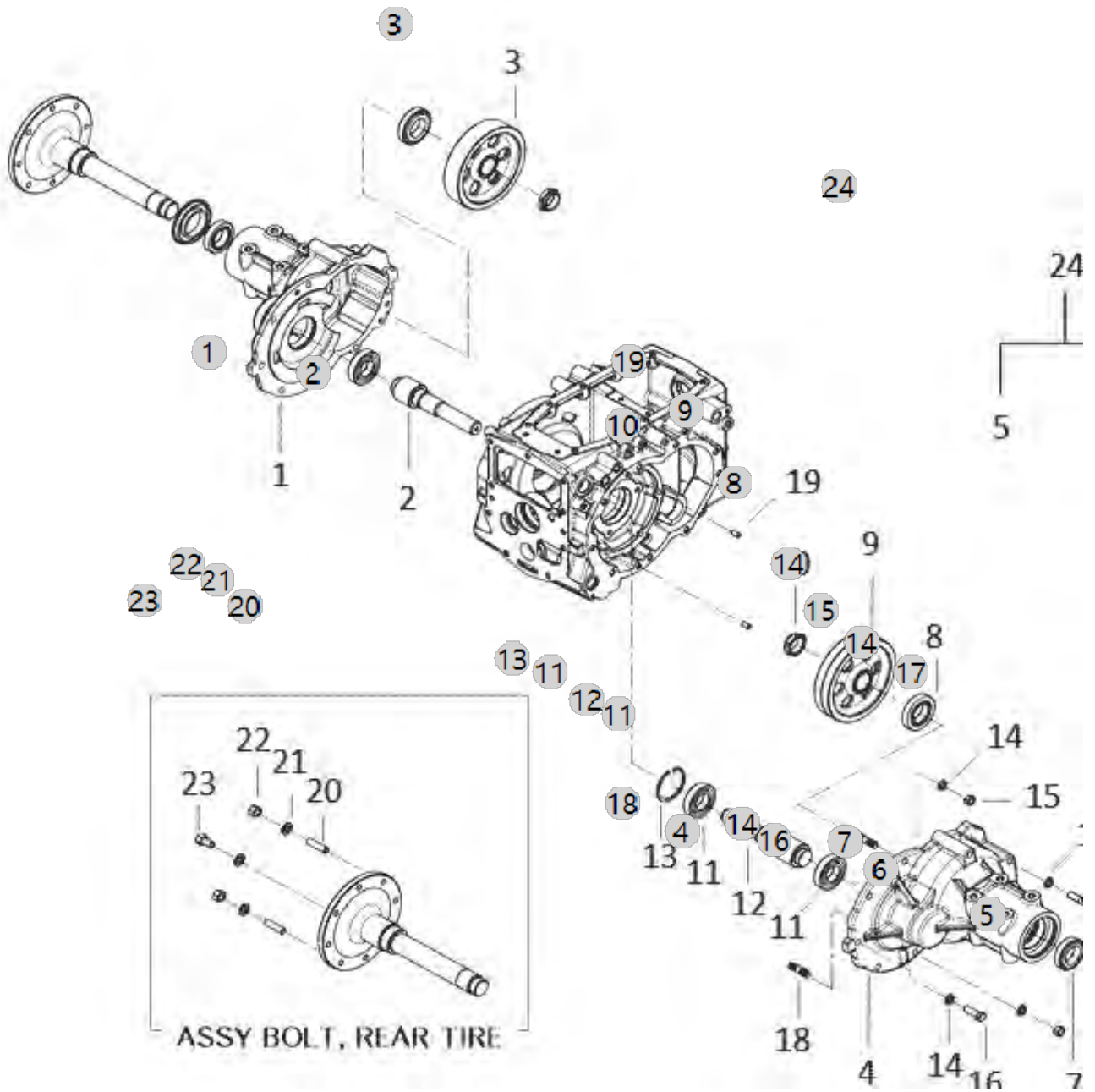
F01030

K3_HST_TM(EU)_NEC
(AC01492)

REAR AXLE HOUSING

Year/Month

2023-01-17



F01030		REAR AXLE HOUSING				Year/Month
K3_HST_TM(EU)_NEC (AC01492)						2023-01-17
순번 (NO)	부품번호 (PART NO)	품명 (PART NAME)	품명 (PART NAME)	수량 (QTY)	규격 (SPEC)	비고 (REMARK)
1	TA00038690D	후차축하우징(R)	REAR AXLE HOUSING R	1		
1	TA00038690C	후차축하우징(R)	REAR AXLE HOUSING R	1		
1	TA00038690B	후차축하우징(R)	REAR AXLE HOUSING R	1		
1	TA00038690E	후차축하우징(R)	REAR AXLE HOUSING R	1		
1	TA00038690F	후차축하우징(R)	REAR AXLE HOUSING R	1		
1	TA00038690G	후차축하우징(R)	REAR AXLE HOUSING R	1		
2	TA00038395B	파이널 피니언(우)	FINAL_REAR_PINION(R)	1		
2	TA00038395C	파이널 피니언(우)	FINAL_REAR_PINION(R)	1		
2	TA00038395D	파이널 피니언(우)	FINAL_REAR_PINION(R)	1		
2	TA00038395E	파이널 피니언(우)	FINAL_REAR_PINION(R)	1		
3	TA00038393B	파이널기어(우)	FINAL_REAR_GEAR (R)	1		
3	TA00038393C	파이널기어(우)	FINAL_REAR_GEAR (R)	1		
4	TA00038689B	후차축하우징(좌)	REAR AXLE HOUSING L	1		
4	TA00038689D	후차축하우징(좌)	REAR AXLE HOUSING L	1		
4	TA00038689C	후차축하우징(좌)	REAR AXLE HOUSING L	1		
4	TA00038689E	후차축하우징(좌)	REAR AXLE HOUSING L	1		
4	TA00038689F	후차축하우징(좌)	REAR AXLE HOUSING L	1		
4	TA00038689G	후차축하우징(좌)	REAR AXLE HOUSING L	1		
5	TA00038361C	후차축	REAR AXLE SHAFT	2		
5	TA00038361B	후차축	REAR AXLE SHAFT	2		
5	TA00038361D	후차축	REAR AXLE SHAFT	2		
6	TA00033423A	오일실(후차축)	SEAL, OIL (REAR AXLE)	2		
7	24141-320090	테이퍼롤러베어링	TAPER ROLLER BEARING	2	NONE	
8	24141-302090	테이퍼롤러베어링	BEARING	2	NONE	
9	TA00038359B	파이널기어(좌)	FINAL RING GEAR	1		
9	TA00038359C	파이널기어(좌)	FINAL RING GEAR	1		
10	TA00038354A	로크너트	LOCK NUT	2		
10	TA00038354B	락너트(K3)	LOCK NUT	2		
11	TT21040000A4	볼베어링(TMB208)	BEARING	4	TMB208	
12	TA00038394B	파이널 피니언(좌)	FINAL_REAR_PINION(L)	1		
12	TA00038394C	파이널 피니언(좌)	FINAL_REAR_PINION(L)	1		
12	TA00038394D	파이널 피니언(좌)	FINAL_REAR_PINION(L)	1		
12	TA00038394E	파이널 피니언(좌)	FINAL_REAR_PINION(L)	1		
13	22252-000800	구멍용스냅링80	RING, CIRCLIP (Φ 80)	2	D80	
14	22217-140000	스프링와셔14	WASHER, SPRING (Φ 14)	18	M14	
15	26716-140002	육각너트	NUT	4	M14X2.0	
16	FT08110000A4	볼트(M14X42)	BOLT(M14X42)	6	M14XP2.0X42	
16	FT08110000B4	볼트	BOLT(M14X42)	6	M14XP2.0X42	
17	TA00038428B	볼트(M14x130)	BOLT	8		
17	TA00038428C	볼트(M14x130)	BOLT	8		
18	FB80120000A4	심음볼트(M14X38)	STUD BOLT(M14X38)	4	M14XP2.0X38	
18	FB80120000B4	심음볼트(M14X38)	STUD BOLT(M14X38)	4		
19	22312-100180	평행핀	PIN, DOWEL (10-18)	4	D10X18	
20	TT85150000A4	심음볼트	Bolt	4	M14XP1.5	
20	TT85150000B4	심음볼트	BOLT	4	M14XP1.5	

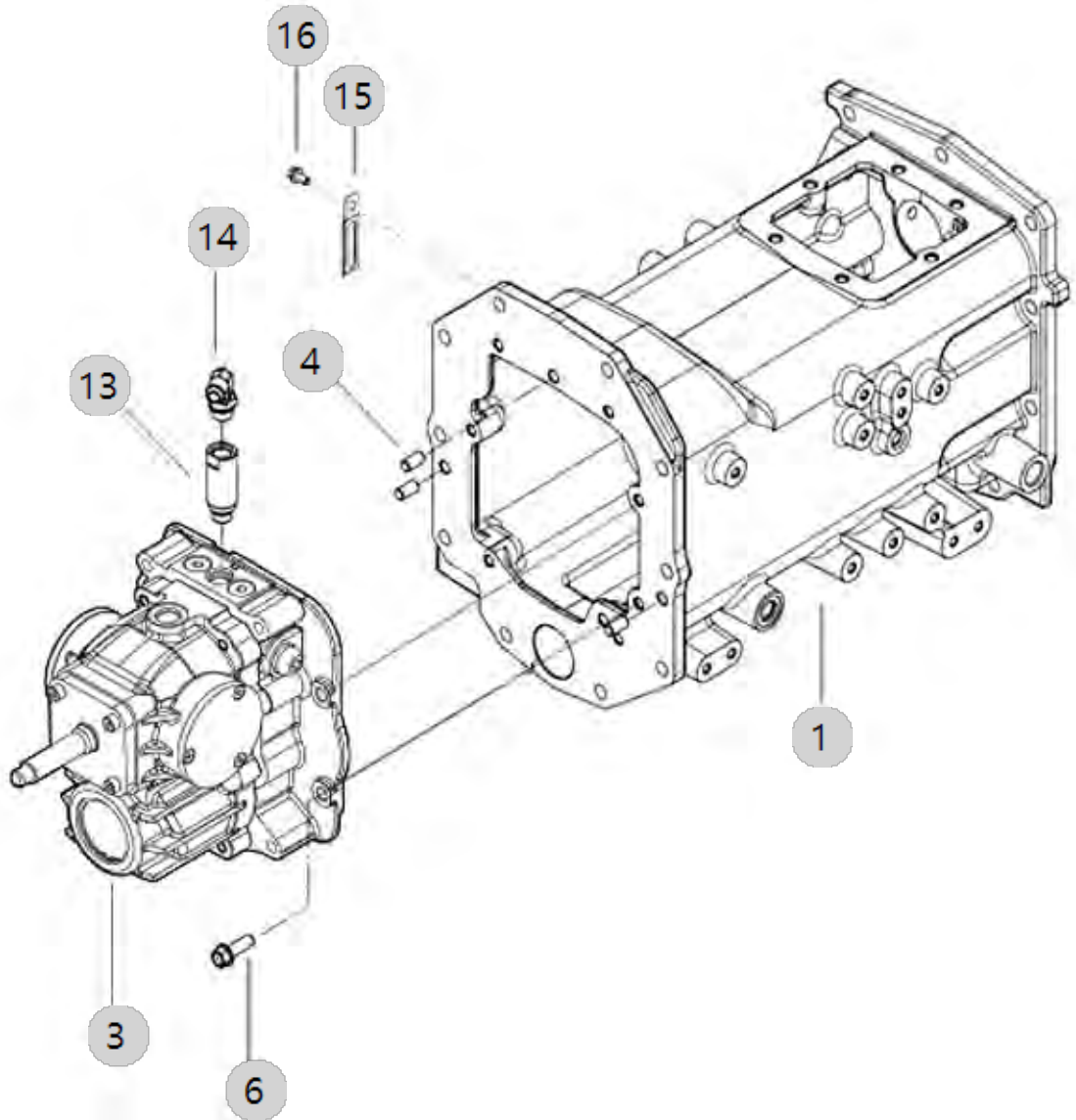
F01050

K3_HST_TM(EU)_NEC
(AC01492)

HYD SHIFT TRANSMISSION HOUSING

Year/Month

2023-01-17



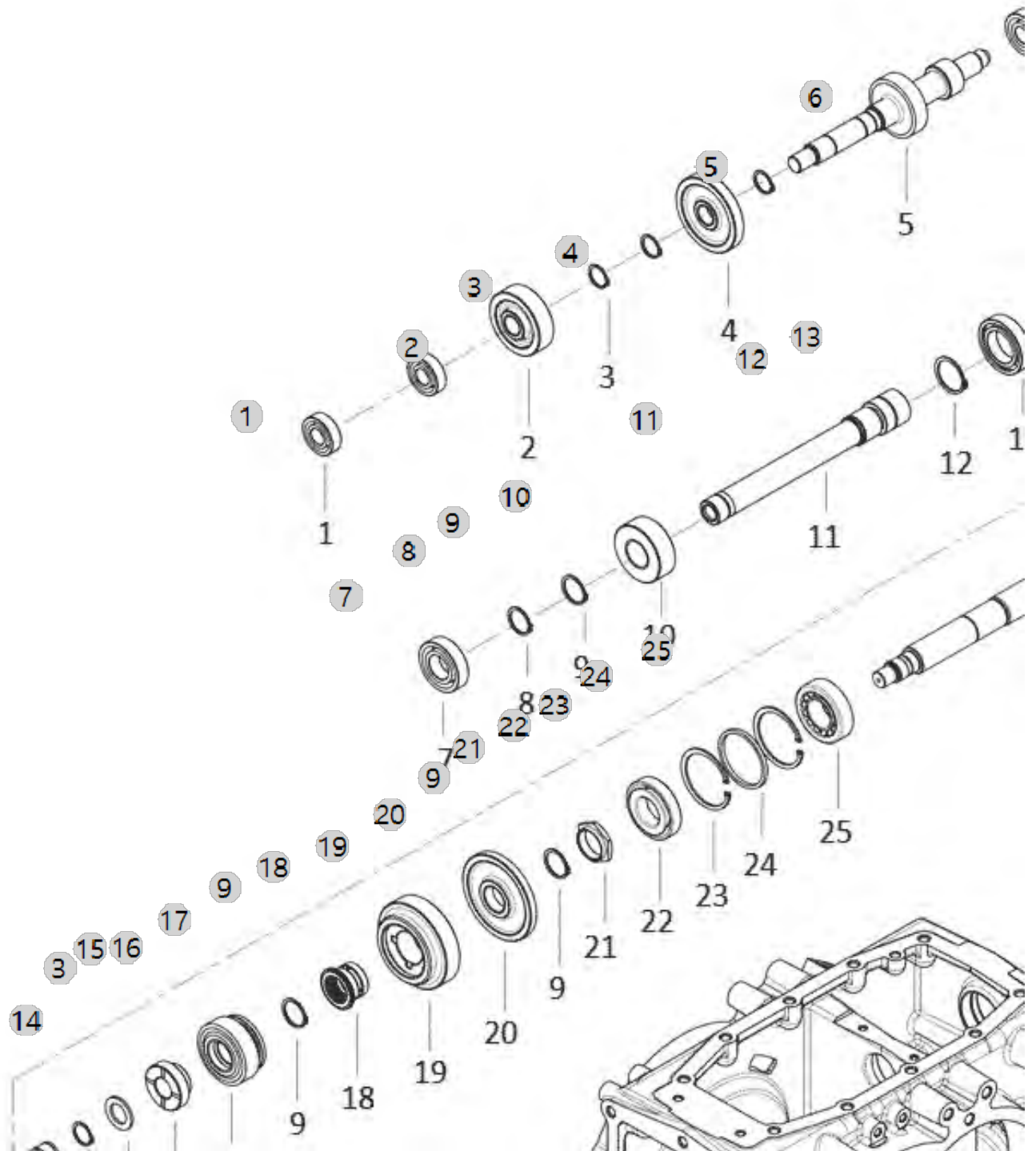
F03040

K3_HST_TM(EU)_NEC
(AC01492)

RANGE SHIFT GEAR

Year/Month

2023-01-17



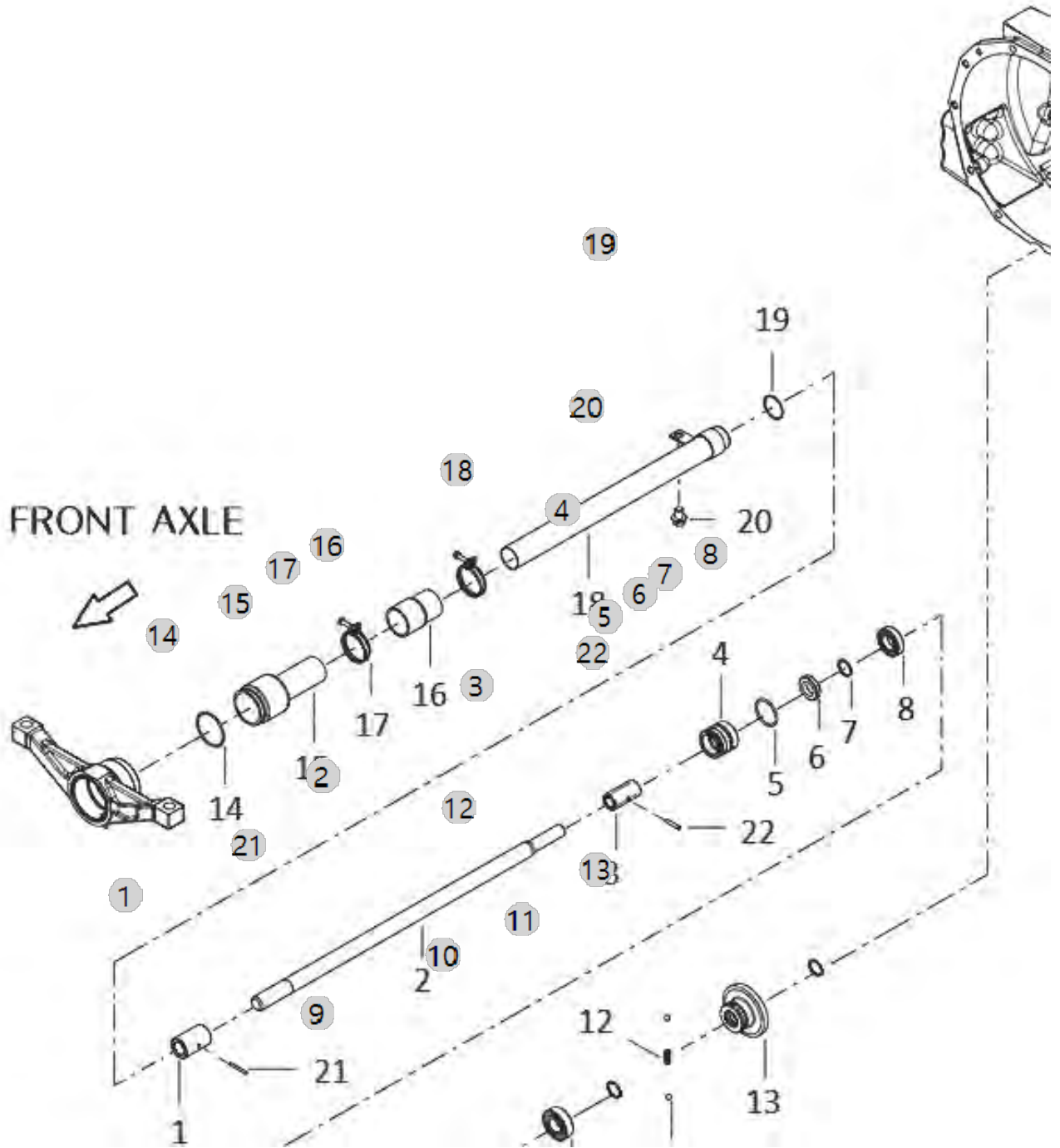
F04010

K3_HST_TM(EU)_NEC
(AC01492)

FORNT DRIVE SHAFT

Year/Month

2023-01-17



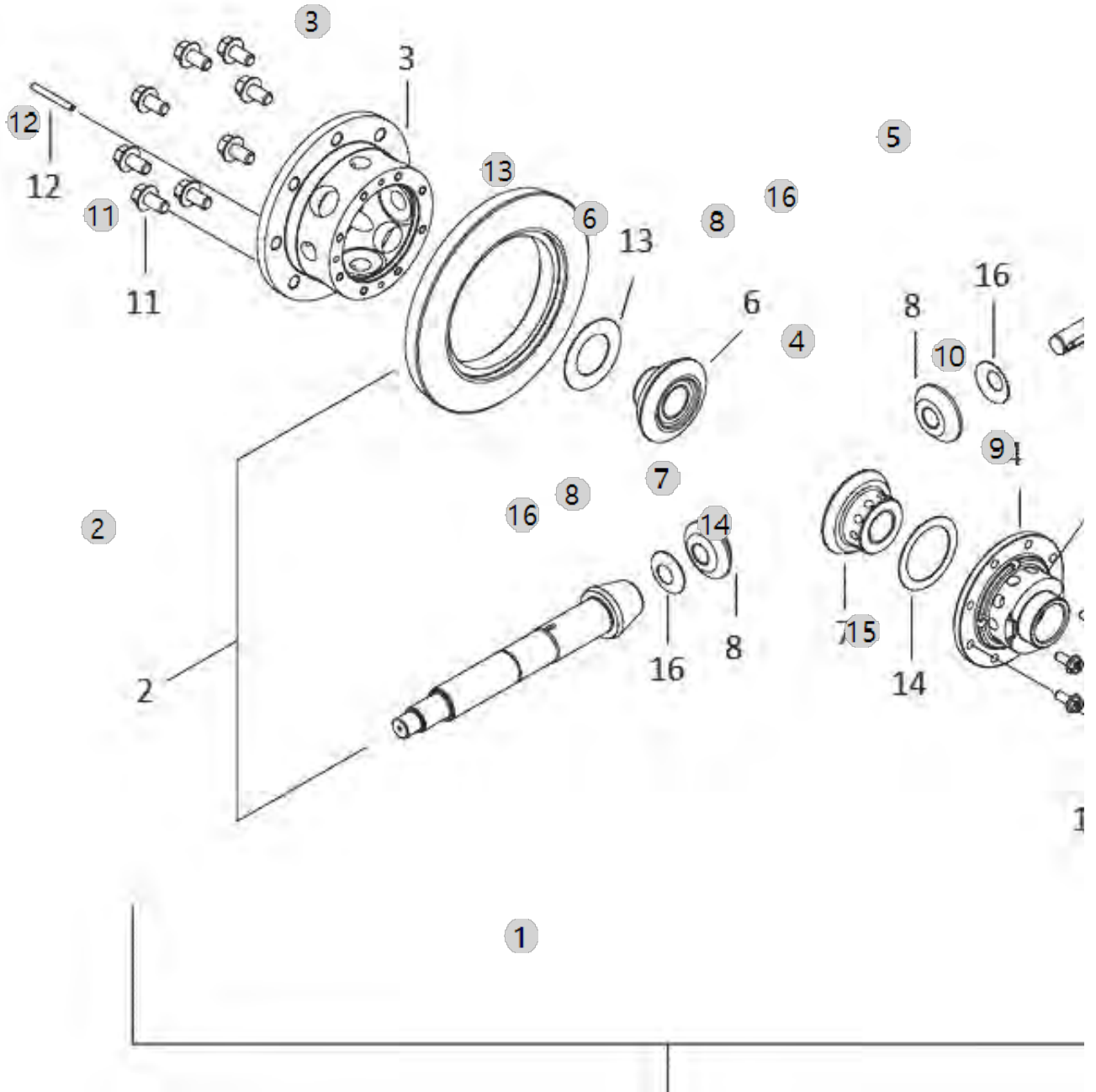
F05020

K3_HST_TM(EU)_NEC
(AC01492)

RING GEAR&DIFF.GEAR ASS'Y

Year/Month

2023-01-17



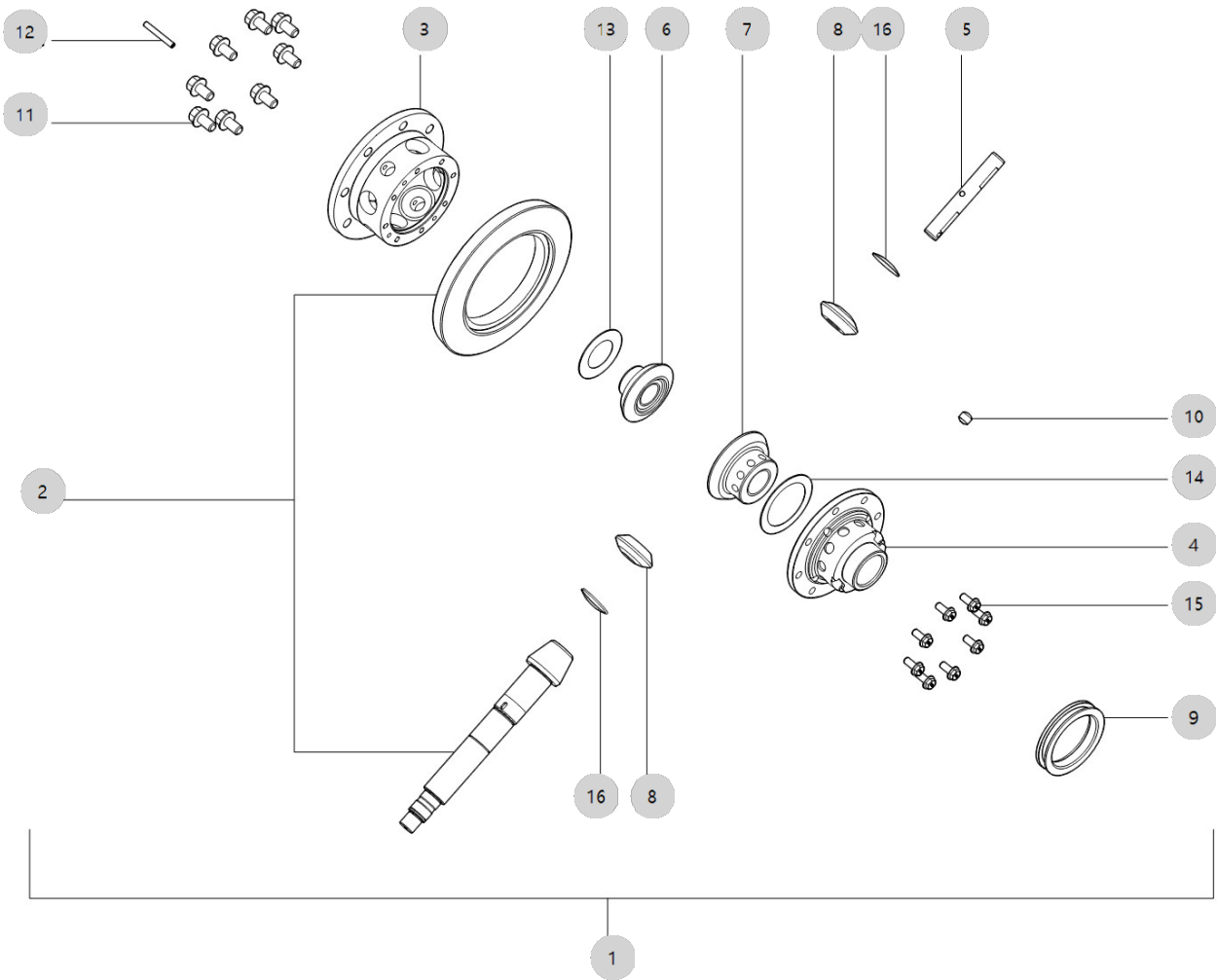
F05020

K3_HST_TM(EU)_NEC
(AC01492)

RING GEAR&DIFF.GEAR ASS'Y

Year/Month

2023-01-17



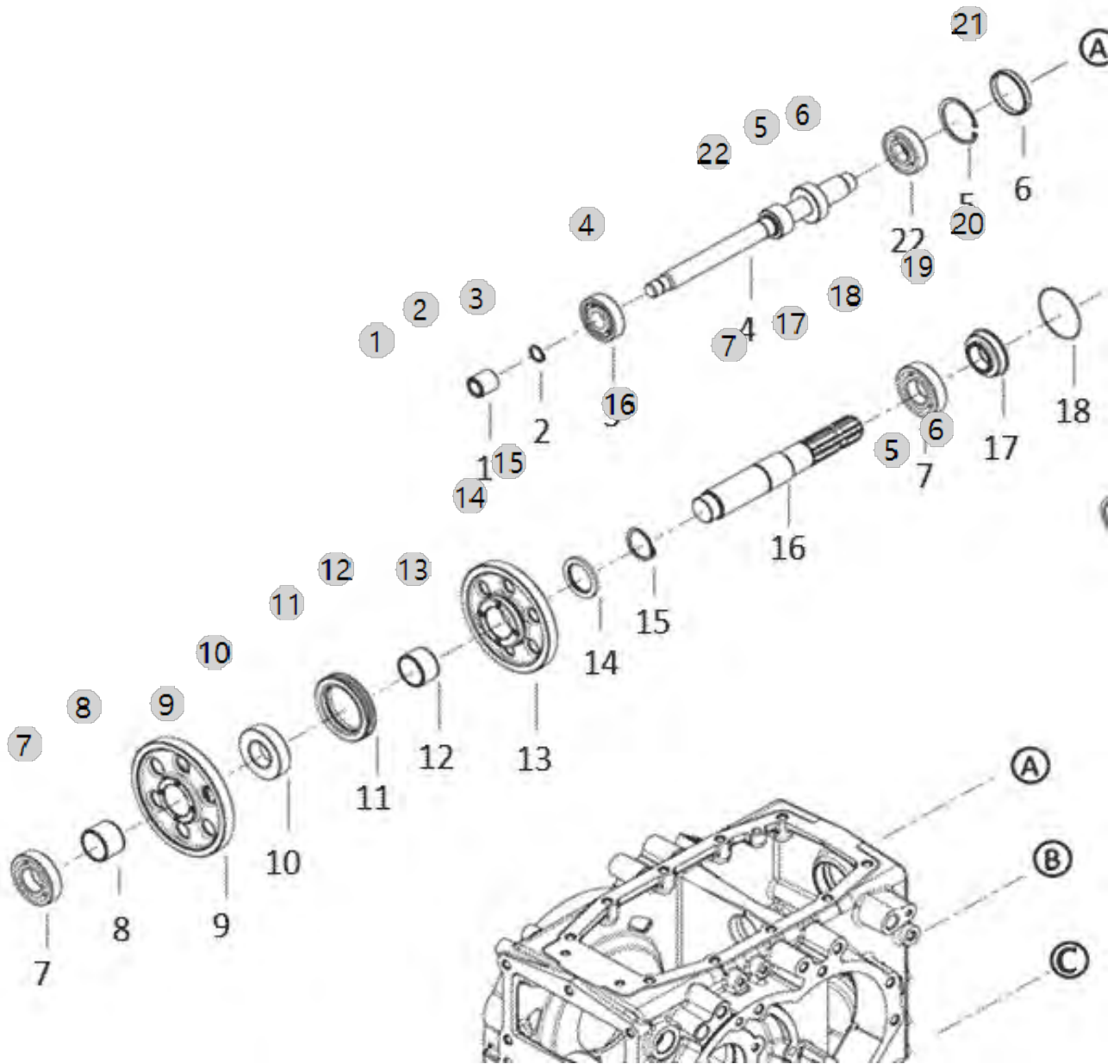
F07030

K3_HST_TM(EU)_NEC
(AC01492)

PTO DRIVE SHAFT

Year/Month

2023-01-17



F07030 K3_HST_TM(EU)_NEC (AC01492)	PTO DRIVE SHAFT	Year/Month
		2023-01-17

순번 (NO)	부품번호 (PART NO)	품명 (PART NAME)	품명 (PART NAME)	수량 (QTY)	규격 (SPEC)	비고 (REMARK)
1	TA00038269A	조인트	JOINT	1		
2	22242-000200	축용스냅링20	SNAP RING, SHAFT (Φ 20)	1	D20(축용)	
3	CT85150000A4	베어링6305HL	Bearing #6305	1	#6305	
4	TA00041006A	PTO구동기여축(1-2)	SHAFT, PTO DRIVE	1		
4	TA00041006B	PTO구동기여축(1-2)	SHAFT, PTO DRIVE	1		
5	22252-000620	구멍용스냅링62	RING, CIRCLIP (Φ 62)	1	D62(구멍용)	
6	27260-620000	실링캡	SEALING CAP	2		
7	24101-062074	볼베어링6207	BALL BEARING (#6207)	2	#6207	
8	TA00039162B	부시(PTO1단)	BUSH	1		
8	TA00039162C	부시(PTO1단)	BUSH	1		
9	TA00041007A	PTO피동기여1단	GEAR, PTO1	1		
10	TZ45100000A3	PTO허브	HUB,P.T.O	1		
10	TZ45100000B3	PTO허브	HUB,P.T.O	1		
11	TZ45110000C4	PTO슬리브	SLEEVE,P.T.O	1		
12	TA00040193B	부시(PTO2단)	SLEEVE	1		
12	TA00040193C	부시(PTO2단)	SLEEVE	1		
13	TA00041008A	PTO피동기여2단	GEAR, PTO2	1		
14	FGG8040000A4	와셔(40.5X57.1X4.5T)	WASHER(40.5X57.1X4.5T)	1		
14	FGG8040000B4	와셔(40X57.1X4.5T)	WASHER(40.5X57.1X4.5T)	1		
15	22242-000400	축용스냅링40	SNAP RING, SHAFT (Φ 40)	1	D40	
16	TA00038293B	PTO축	SHAFT, PTO	1		
16	TA00038293C	PTO축	SHAFT, PTO	1		
16	TA00038293D	PTO축	SHAFT, PTO	1		
17	TT62040000A3	PTO 오일실 QLF35X60X19	PTO OIL SEAL QLF35X60X19	1	35X60X19	
18	24341-000700	O링(70-S)	O-RING, FIX (Φ70)	1	1A S70.0	
19	TA00038449B	PTO축 커버	COVER	1		
20	22242-000350	축용스냅링35	SNAP RING, SHAFT (Φ 35)	1	D35	
21	26106-100202	육각플랜지볼트	HEX BOLT, (10-20)	4	M10XP1.5X20	
22	24101-063050	깊은홈볼베어링(63계열)	DEEP GROOVE BALL BEARING	1	#6305	

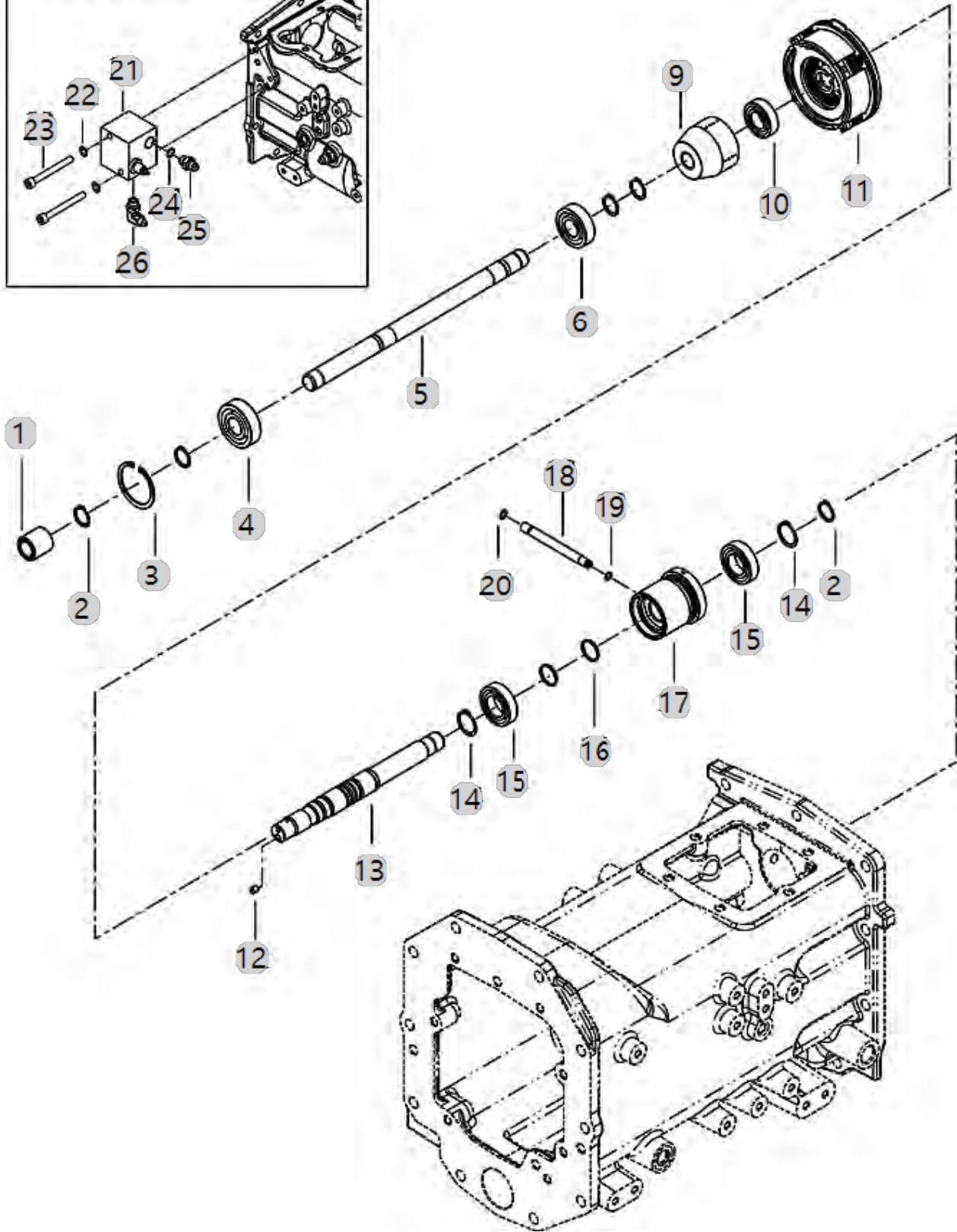
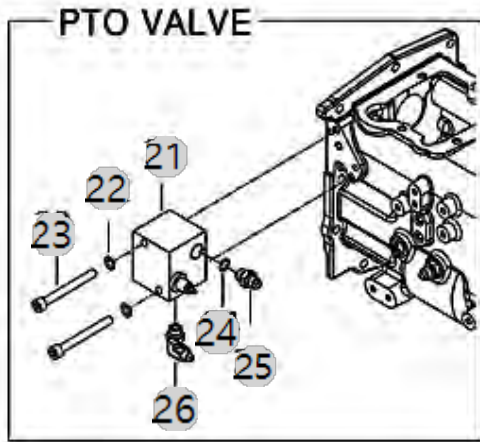
F07070

K3_HST_TM(EU)_NEC
(AC01492)

MAIN P.T.O SHAFT

Year/Month

2023-01-17



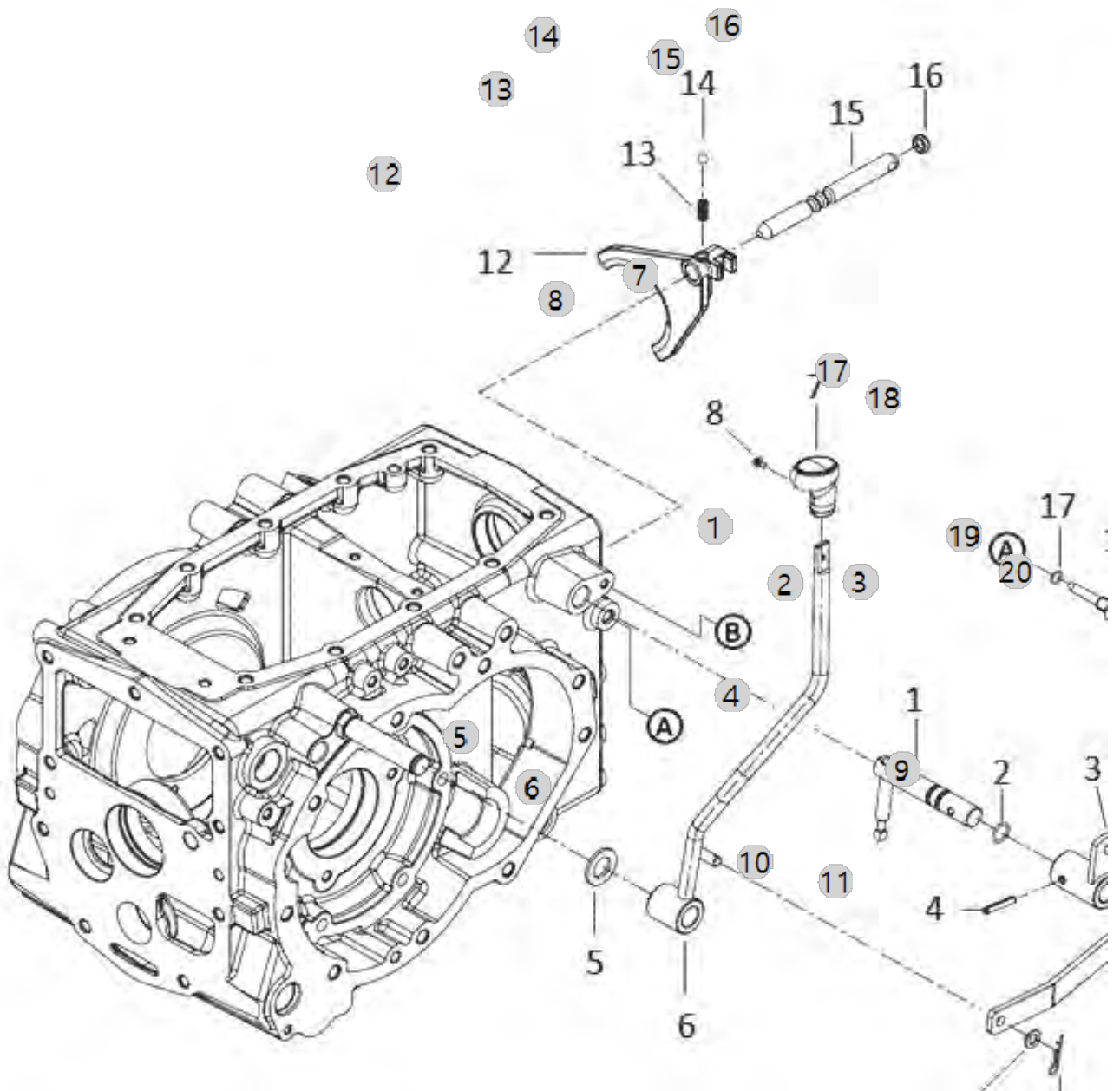
F08060

K3_HST_TM(EU)_NEC
(AC01492)

FORK & LEVER, PTO

Year/Month

2023-01-17



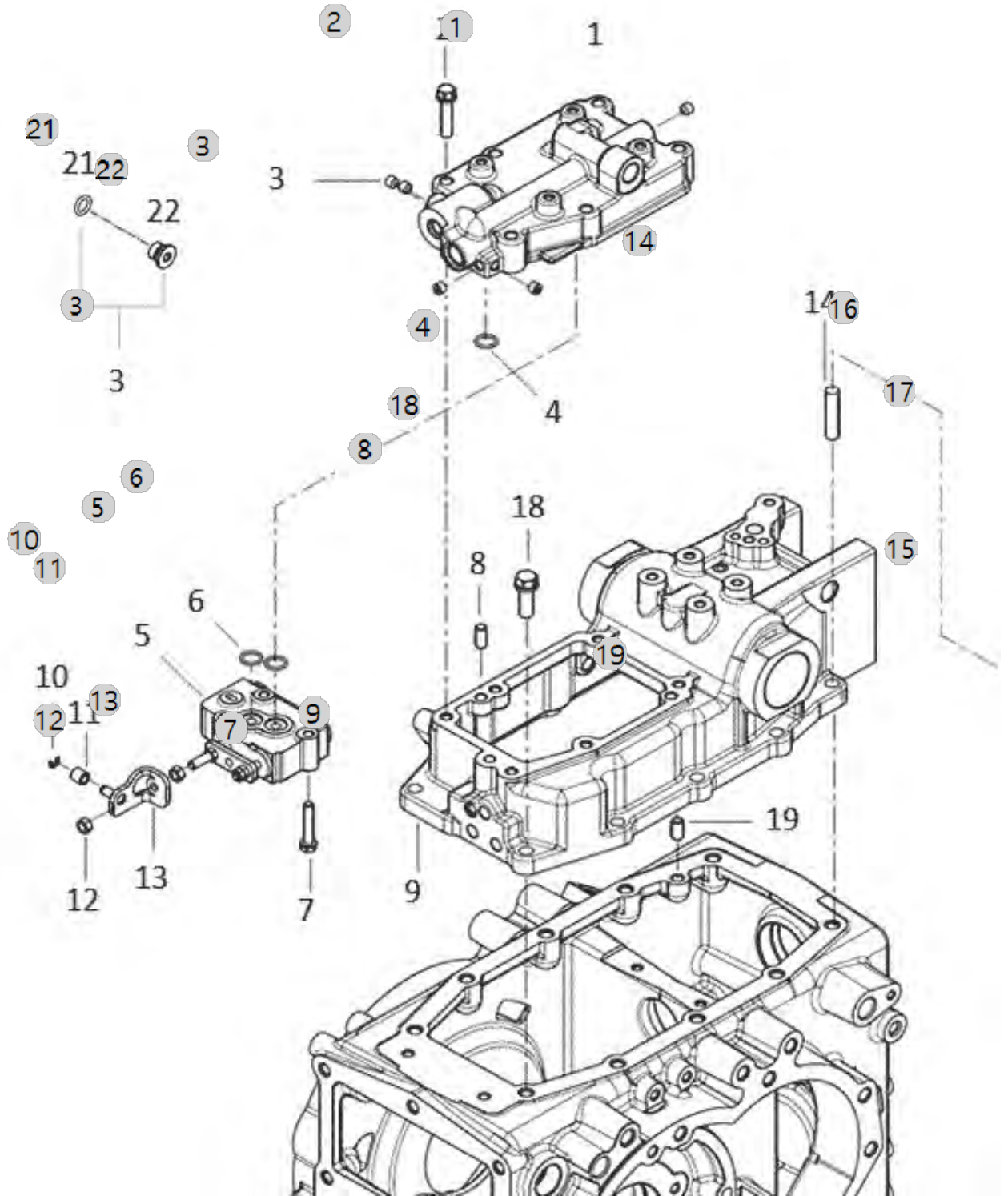
F10010

K3_HST_TM(EU)_NEC
(AC01492)

CASE, HYD CYLINDER

Year/Month

2023-01-17



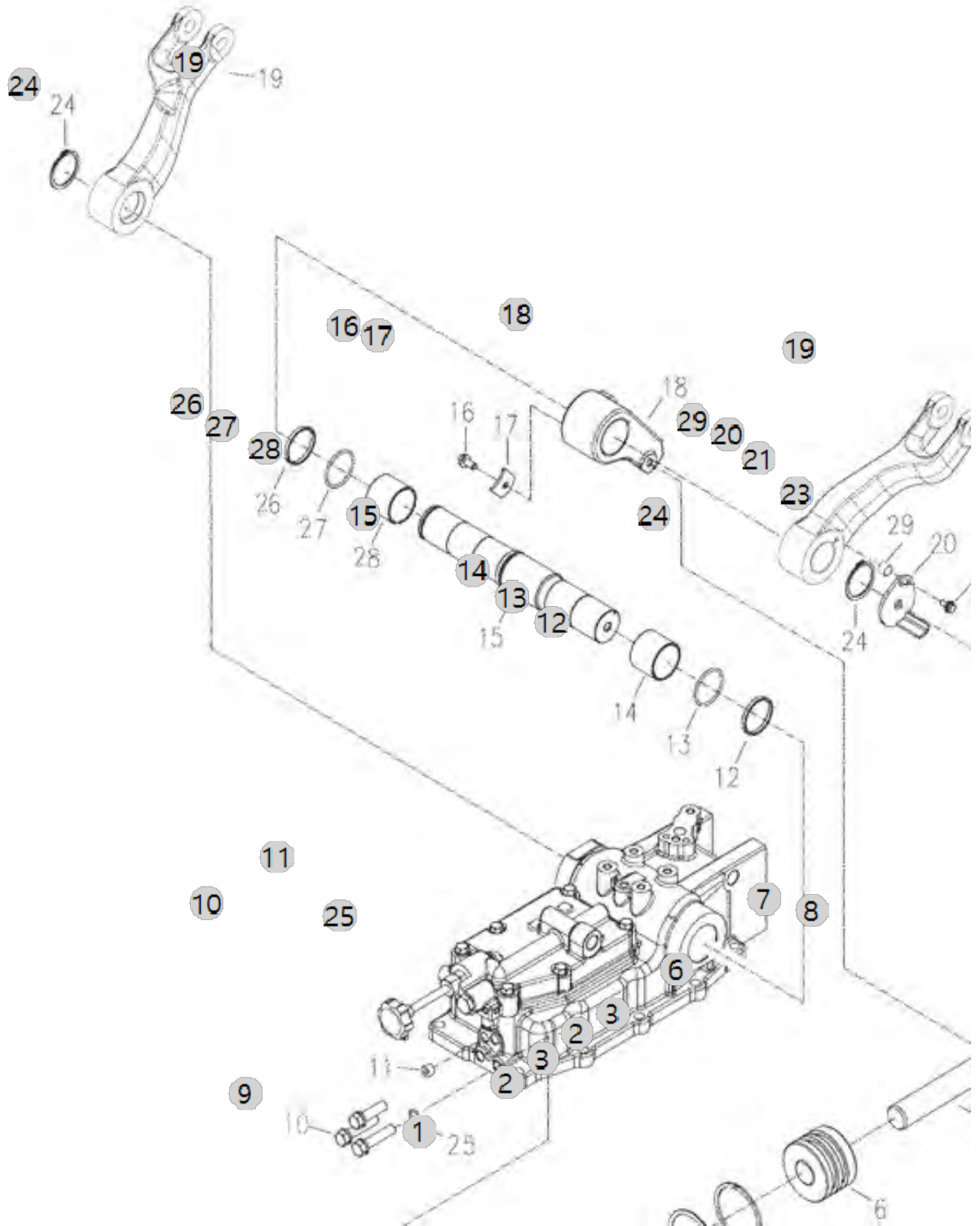
F10020

K3_HST_TM(EU)_NEC
(AC01492)

LIFT ARM

Year/Month

2023-01-17



F10020 K3_HST_TM(EU)_NEC (AC01492)	LIFT ARM				Year/Month	
					2023-01-17	

순번 (NO)	부품번호 (PART NO)	품명 (PART NAME)	품명 (PART NAME)	수량 (QTY)	규격 (SPEC)	비고 (REMARK)
1	TA00046960B	실린더조합(ID90)	CYLINDER	1		
2	TA00046958A	O-링	O RING	2		
3	TA00046957A	백업링	BACKUP-RING	2		
6	TA00046959A	피스톤(OD90)	PISTON	1		
7	TA00033094A	피스톤로드	ROD, PISTON	1		
8	22351-080050	스프링핀	PIN, SPRING (8-50)	1		
9	34311-000140	O-링	O-RING	1		
10	26156-120552	육각볼트(세목)	HEXAGON HEAD BOLT	3		
11	TA00045690A	플러그조합	PLUG ASS'Y	1		
11	TA00045690B	플러그조합	PLUG ASS'Y	1		
12	TA00035651A	백업링	RING	1		
13	24321-000500	O링(G형)	O-RING (D50)	1	G50	
14	TA00035650A	부시(D55X40)	BUSH	1		
15	TA00033089C	리프트링크축	SHAFT, LIFT LINK	1		
16	26106-080162	플랜지볼트8X16	SCREW,HEXFLANGEHEADCAP	1	M8XP1.25X16	
17	TA00033095A	플레이트	PLATE	1		
18	TA00033093B	리프트크랭크	CRANK, LIFT	1		
19	TA00040302A	리프트암	LIFT ARM	2		
19	TA00040302B	리프트암	LIFT ARM	2		
20	TA00034082C	캠 조합	CAMP ASSY	1		
21	26106-060202	육각플랜지볼트(6*20)	HEXFLANBOLT	1	M6X1.0X20	
23	26106-100202	육각플랜지볼트	HEX BOLT, (10-20)	1	M10XP1.5X20	
24	22242-000450	축용스냅링45	SNAP RING, SHAFT (Φ 45)	2	D45	
25	TA00035675A	본디드실(M12)	BONDED SEAL	3		
26	TA00033100A	백업링	RING, BACK UP	1		
27	24321-000450	O링(G형)	O-RING, DYNAMIC (Φ45)	1	G45	
28	TA00033099A	부시	BUSH	1		
29	TA00035684A	칼라	COLLAR	1		
29	TA00035684B	칼라	COLLAR	1		

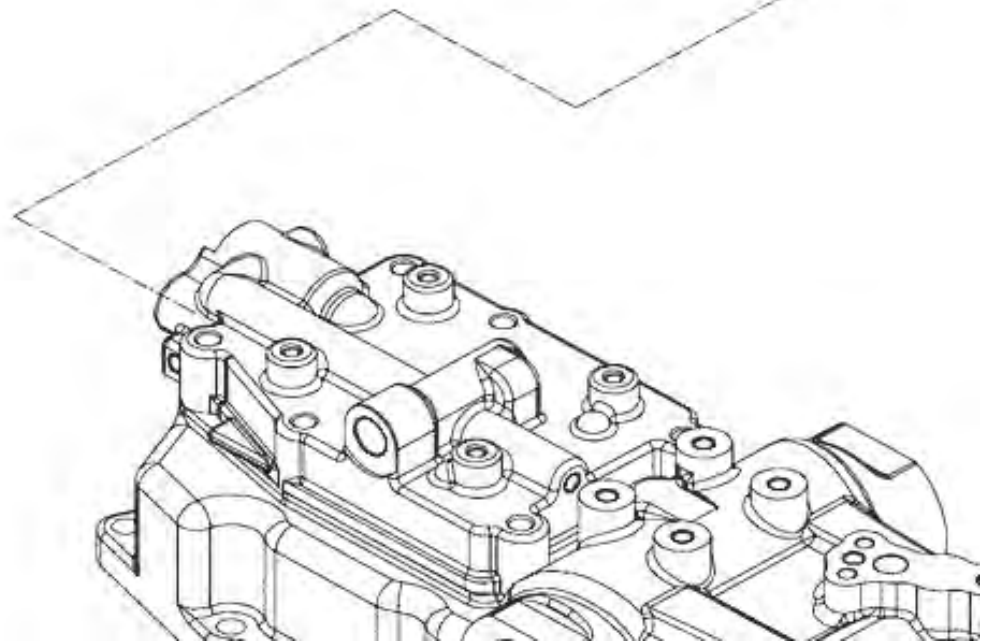
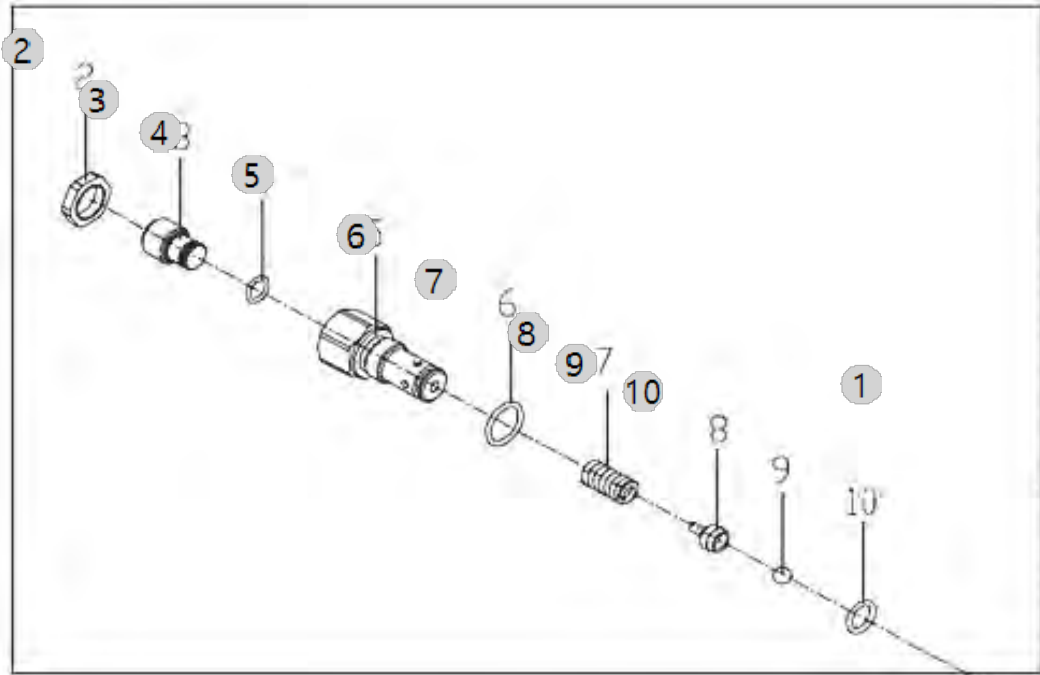
F10030

K3_HST_TM(EU)_NEC
(AC01492)

SAFETY VALVE

Year/Month

2023-01-17



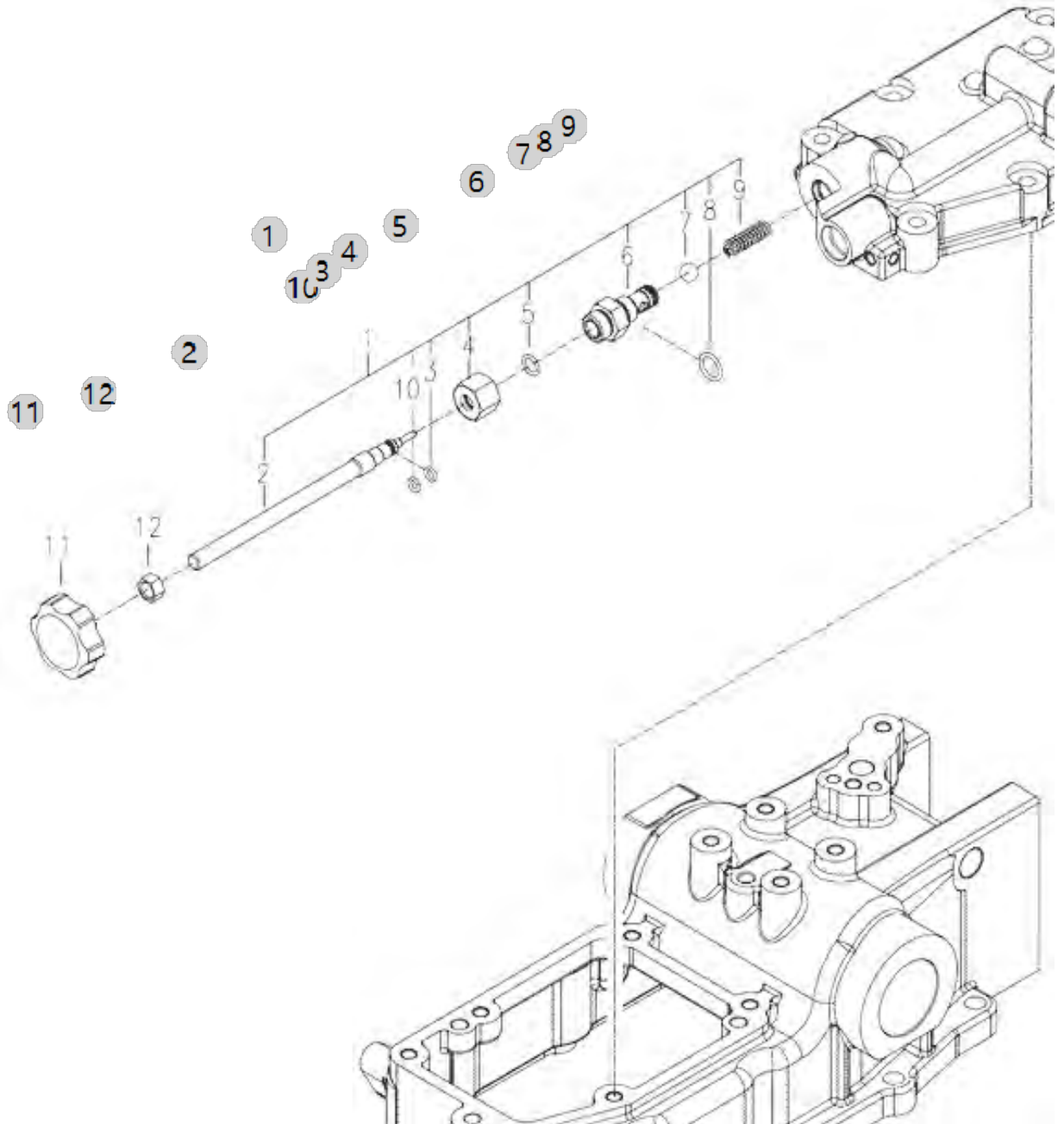
F10040

K3_HST_TM(EU)_NEC
(AC01492)

STOP VALVE

Year/Month

2023-01-17



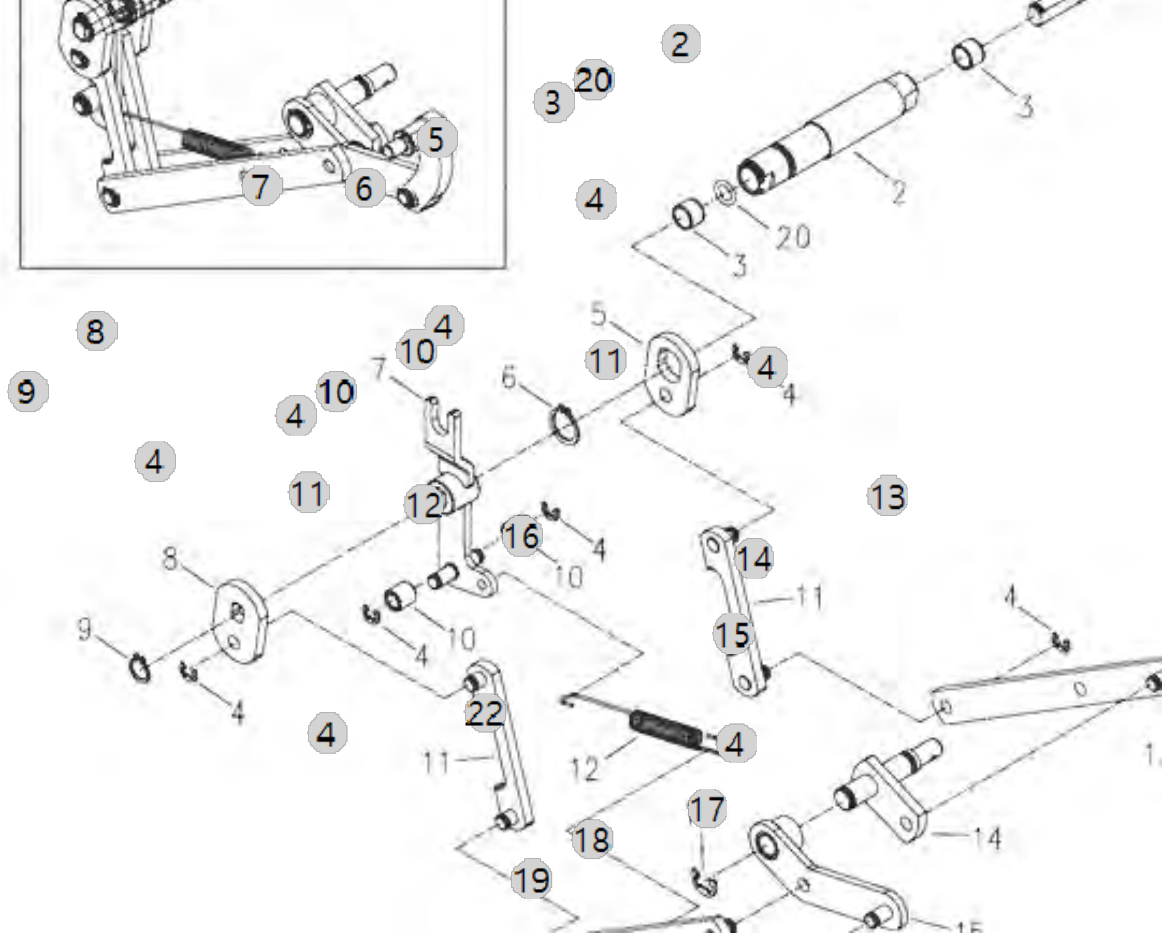
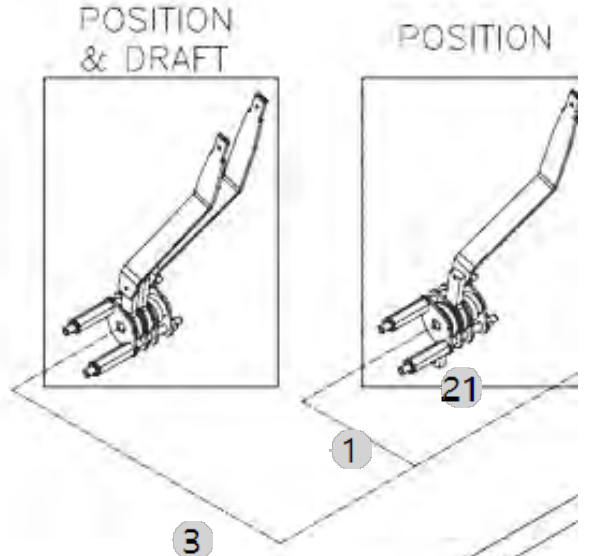
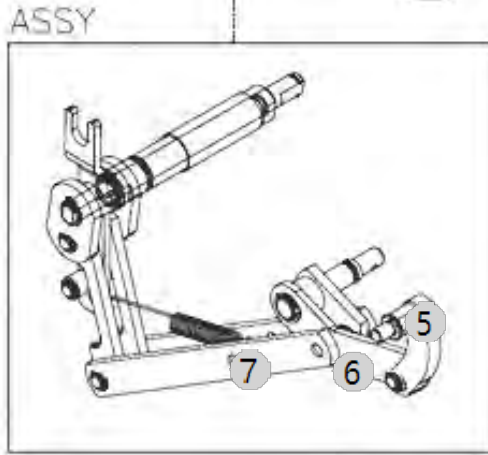
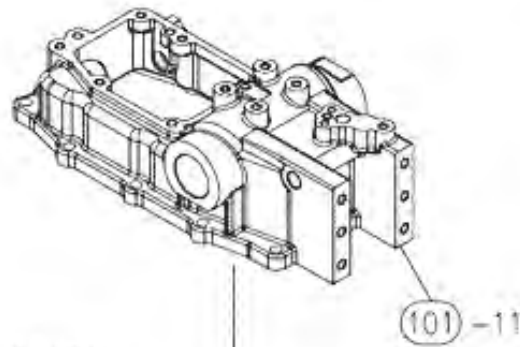
F10061

K3_HST_TM(EU)_NEC
(AC01492)

DRAFT/POSITION CONTROL LEVER

Year/Month

2023-01-17



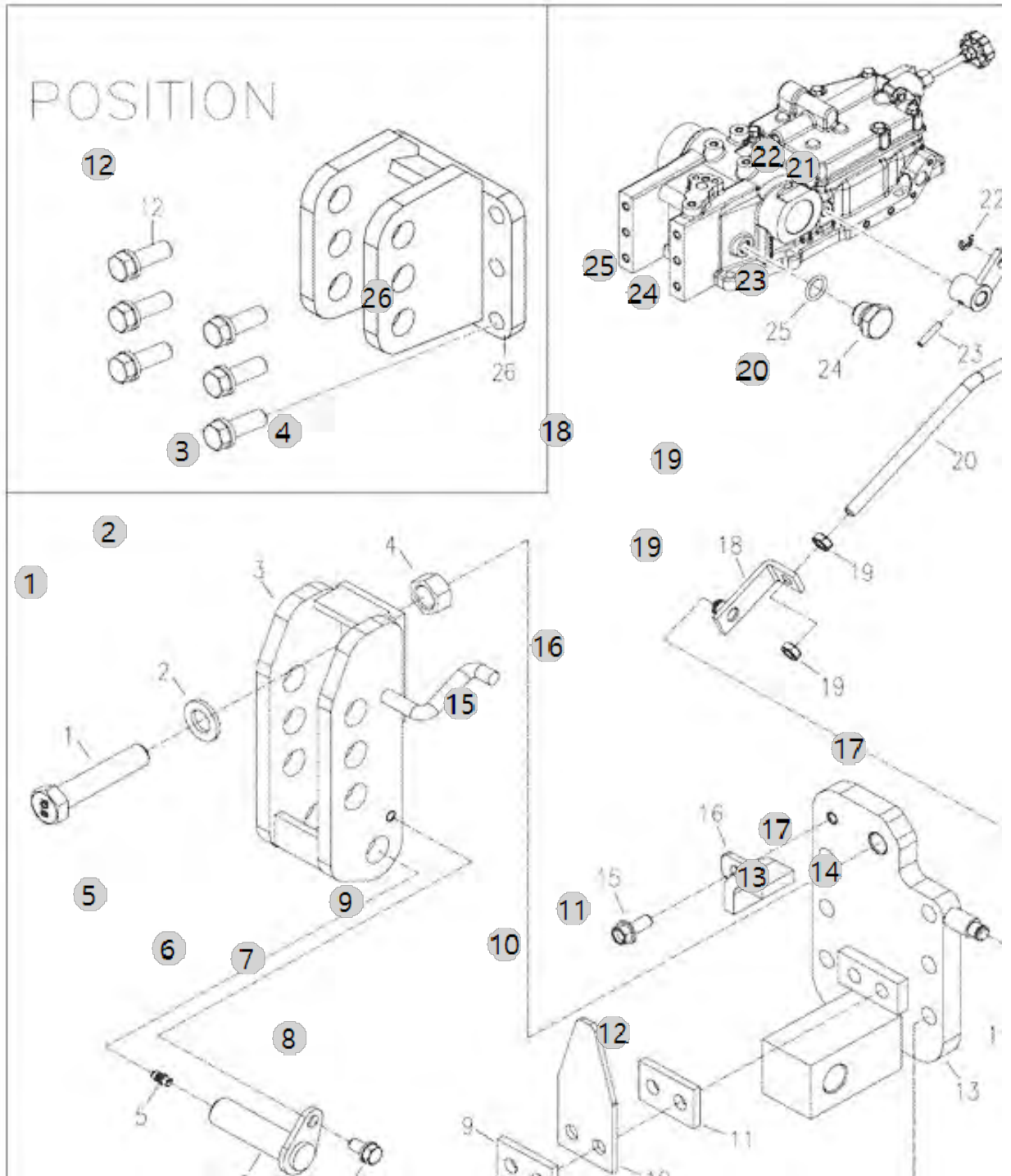
F10063

K3_HST_TM(EU)_NEC
(AC01492)

DRAFT CONTROL LEVER

Year/Month

2023-01-17



F10063		DRAFT CONTROL LEVER				Year/Month
K3_HST_TM(EU)_NEC (AC01492)						2023-01-17
순번 (NO)	부품번호 (PART NO)	품명 (PART NAME)	품명 (PART NAME)	수량 (QTY)	규격 (SPEC)	비고 (REMARK)
1	TA00000660B	육각볼트(M16XP1.5X80)	BOLT	1	M16XP1.5X80	
1	TA00000660A	육각볼트(M16XP1.5X80)	BOLT	1	M16XP1.5X80	
2	22137-160000	와셔	WASHER, PLAIN (Φ 16)	1	M16	
3	TA00033138B	톱링크힌지D	HINGE D, TOP LINK	1		
4	26736-160002	특수NUT	HEXNUT	1	M16XP1.5	
5	TA27160000B4	그리스니플	NIPPLE	1	M6XP1.0	
5	TA27160000A4	그리스니플	GREASE NIPPLE	1	M6XP1.0	
5	TA27160000C4	그리스니플	NIPPLE	1	M6XP1.0	
6	TTB3090000A4	힌지핀	PIN,HINGE	1		
6	TTB3090000B4	힌지핀	PIN,HINGE	1		
7	26013-080162	와셔조립육각볼트(+SW)	Bolt, Hexa (8-16)	1	M8XP1.25X16	
8	26106-100402	플랜지보울트	SCREW,HEXFLANGEHEADCAP	2	M10X1.5X40	
9	TA00034144A	고정판	PLATE	1		
10	TA00033137A	힌지판	PLATE, HINGE	1		
11	TA00034144A	고정판	PLATE	1		
12	26013-120352	와셔조립육각볼트(+SW)	SCREW,CAPTIVEWASHERCAP	6	M12XP1.75X0	
13	TA00034018B	хин지서포터 조합	SUPPORT D, HINGE ASSY	1		
14	TA00033143B	플레이트	PLATE	1		
14	TA00033143C	플레이트	PLATE	1		
14	TA00033143D	플레이트	PLATE	1		
15	26106-080202	육각플랜지볼트	SQR FLANGE BOLT	1	M8XP1.25X20	
16	TA00034142B	연결판 조합	PLATE ASS'Y	1		
17	22272-000080	E형스냅링8	RING, CIRCLIP (Φ 08)	2	D8	
18	TA00033144B	플레이트조합	PLATE ASSY	1		
18	TA00033144C	플레이트조합	PLATE ASSY	1		
19	26756-080002	고정너트M8	NUT	2	M8X1.25	
20	TA00033150B	견인제어로드	CONTROL ROD, DRAFT	1		
20	TA00033150C	견인제어로드	CONTROL ROD, DRAFT	1		
21	TA00033147B	링크조합(OUT)	LINK ASSY (OUT)	1		
21	TA00033147C	링크조합(OUT)	LINK ASSY (OUT)	1		
22	22272-000060	SNAP RING	RING, CIRCLIP (Φ 06)	1	D6	
23	22351-040020	스프링핀	PIN, SPRING (4X20)	1	D4X20	
24	NTA1130100A9	몸체	BODY	1		
25	24311-000140	운동용O링	SEAL,ORING	1	P14	
26	TA00034323A	톱링크 브라킷 조합	BRACKET ASS'Y, TOP LINK	1		

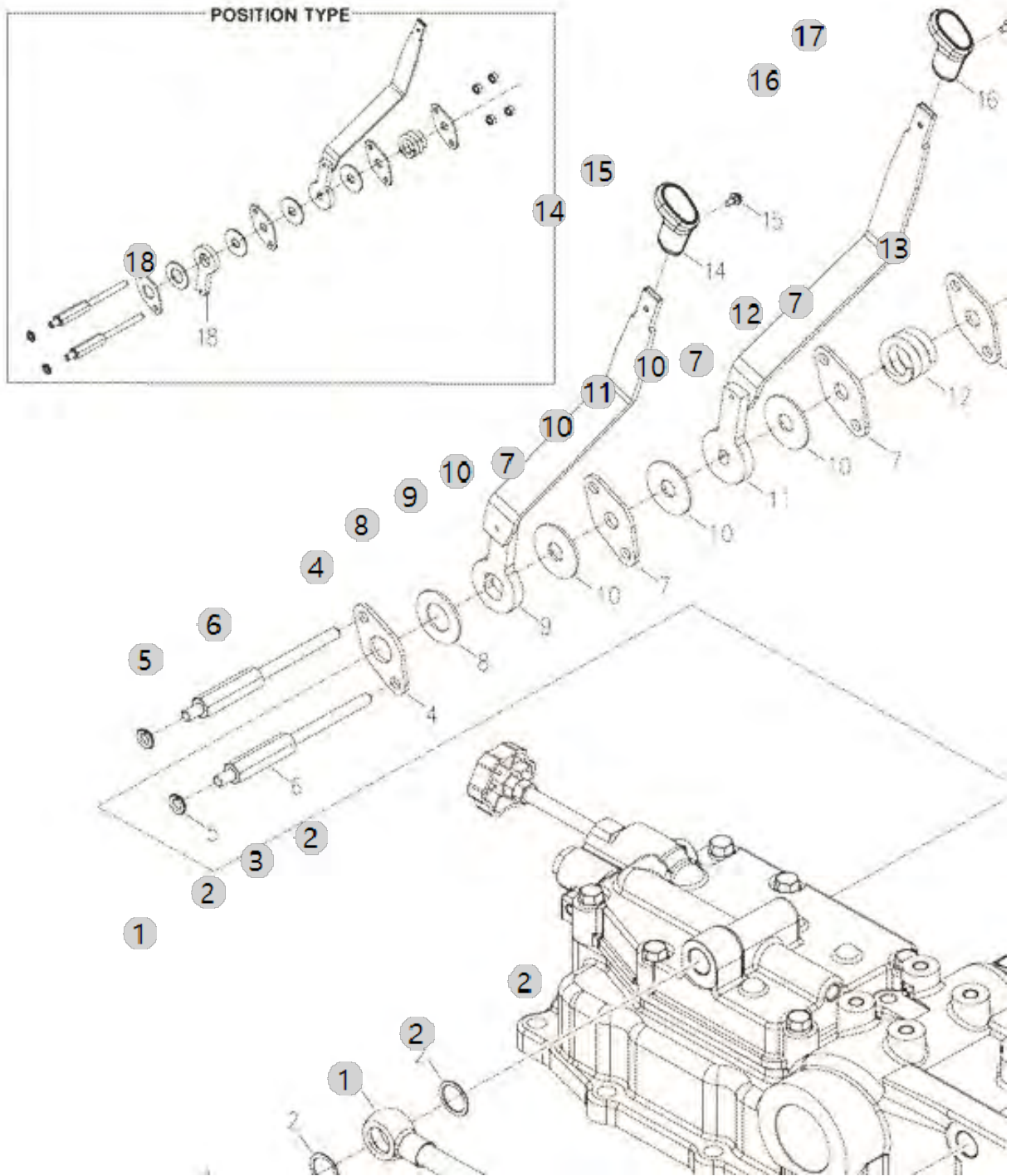
F10064

K3_HST_TM(EU)_NEC
(AC01492)

POSITION CONTROL LEVER

Year/Month

2023-01-17



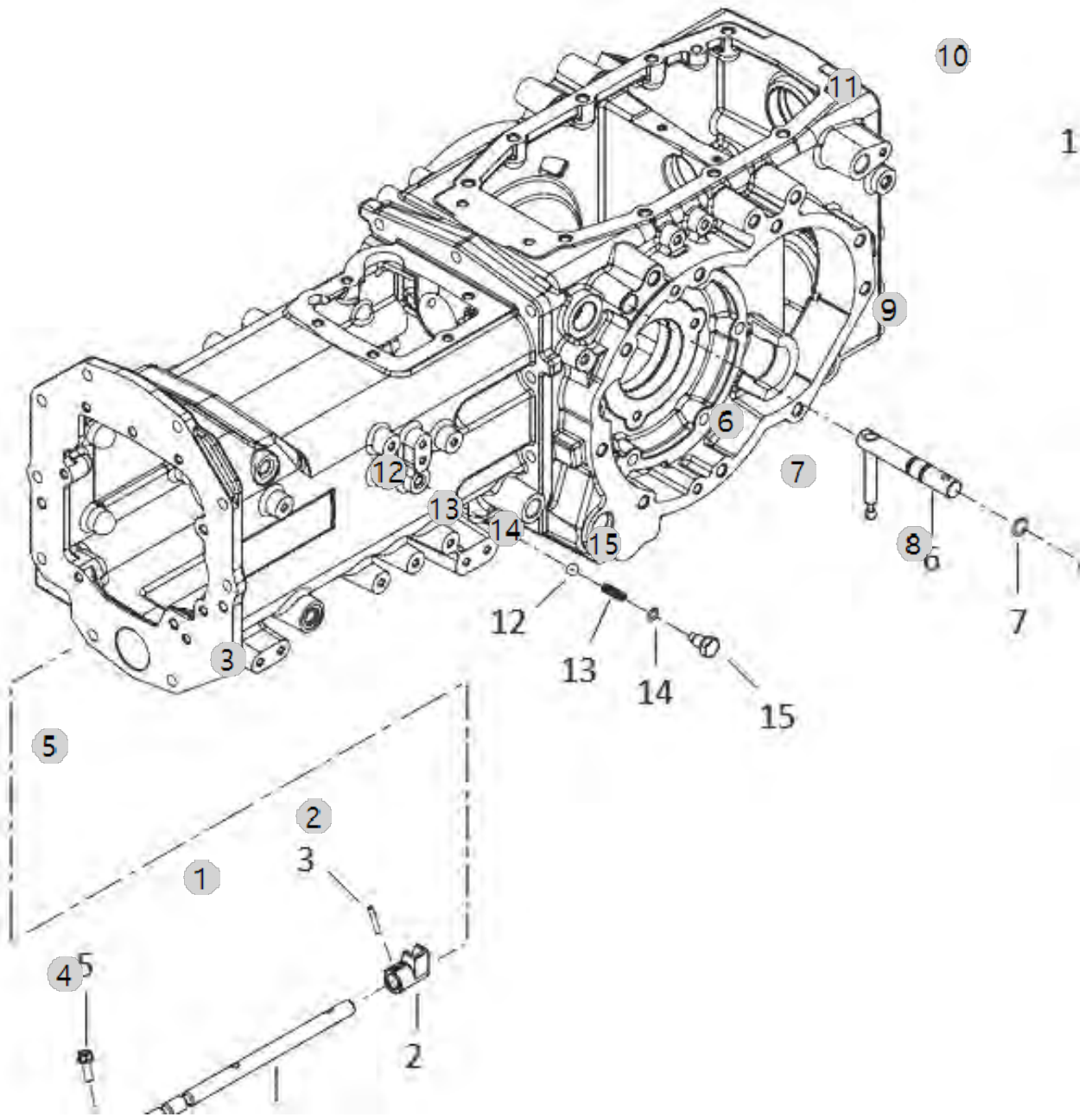
F11020

K3_HST_TM(EU)_NEC
(AC01492)

LEVER ASS'Y, RANGE SHIFT

Year/Month

2023-01-17



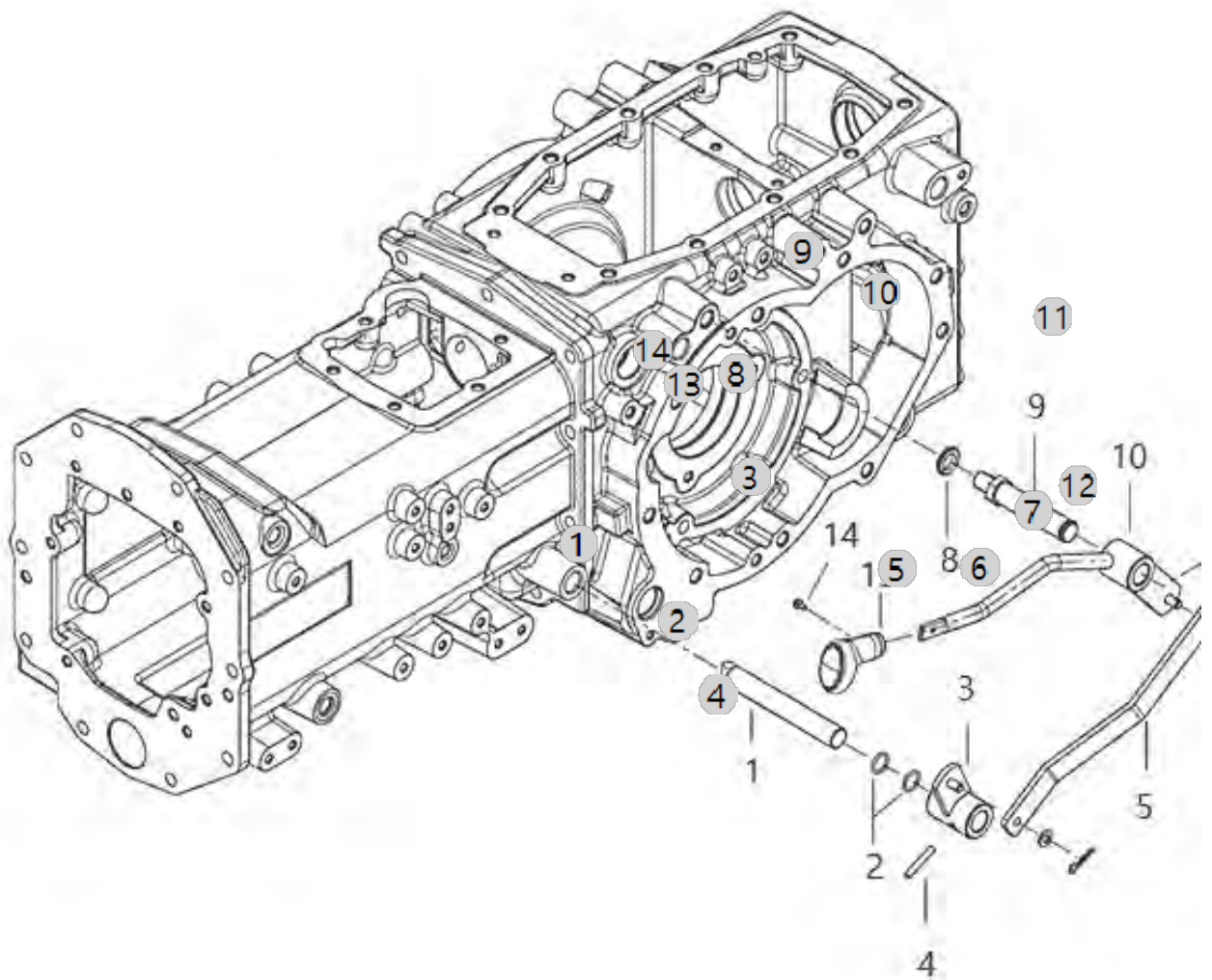
F11080

K3_HST_TM(EU)_NEC
(AC01492)

4WD LEVER

Year/Month

2023-01-17



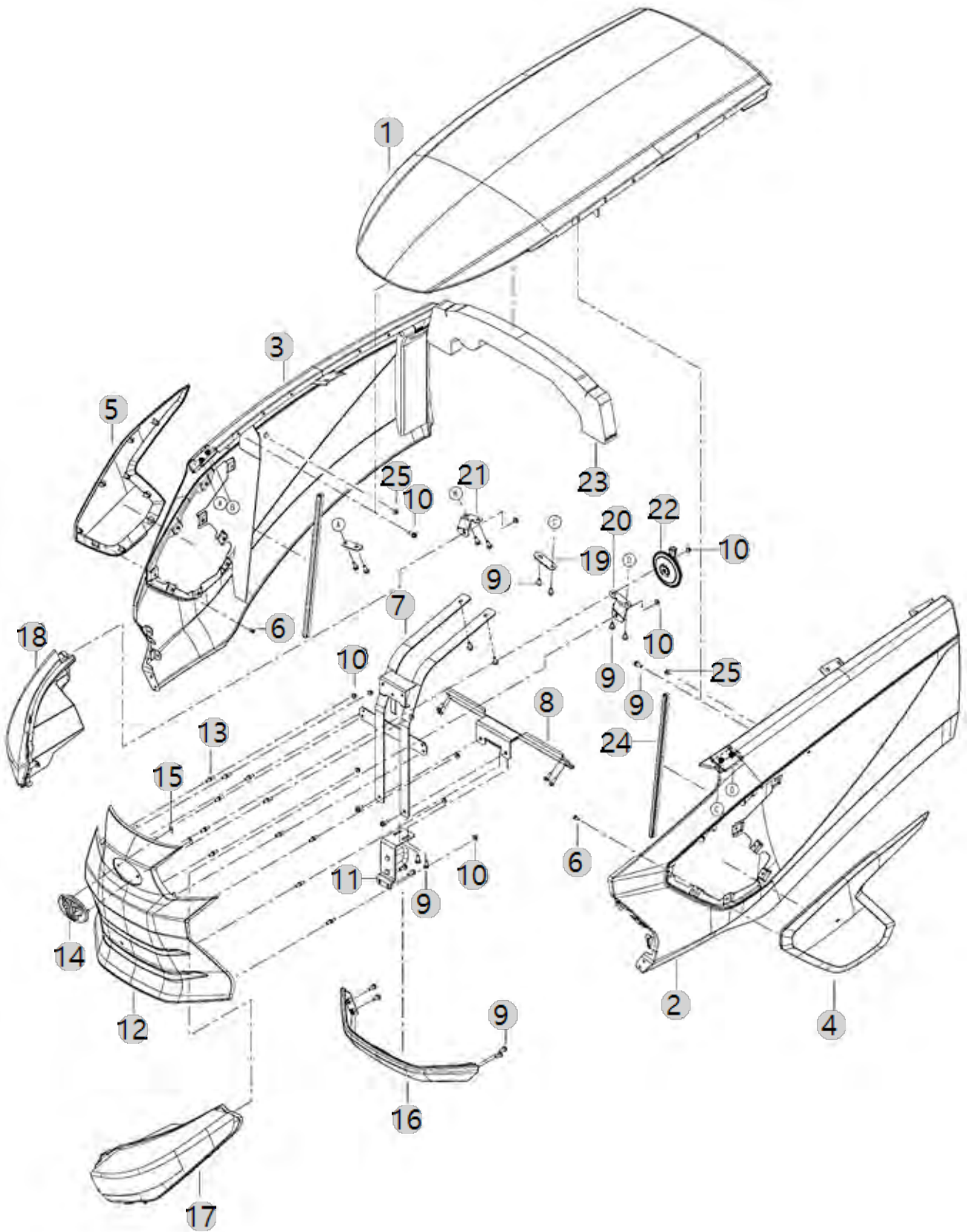
G01020

F36HN_EU_FL
(AC02130)

BONNET

Year/Month

2023-01-17



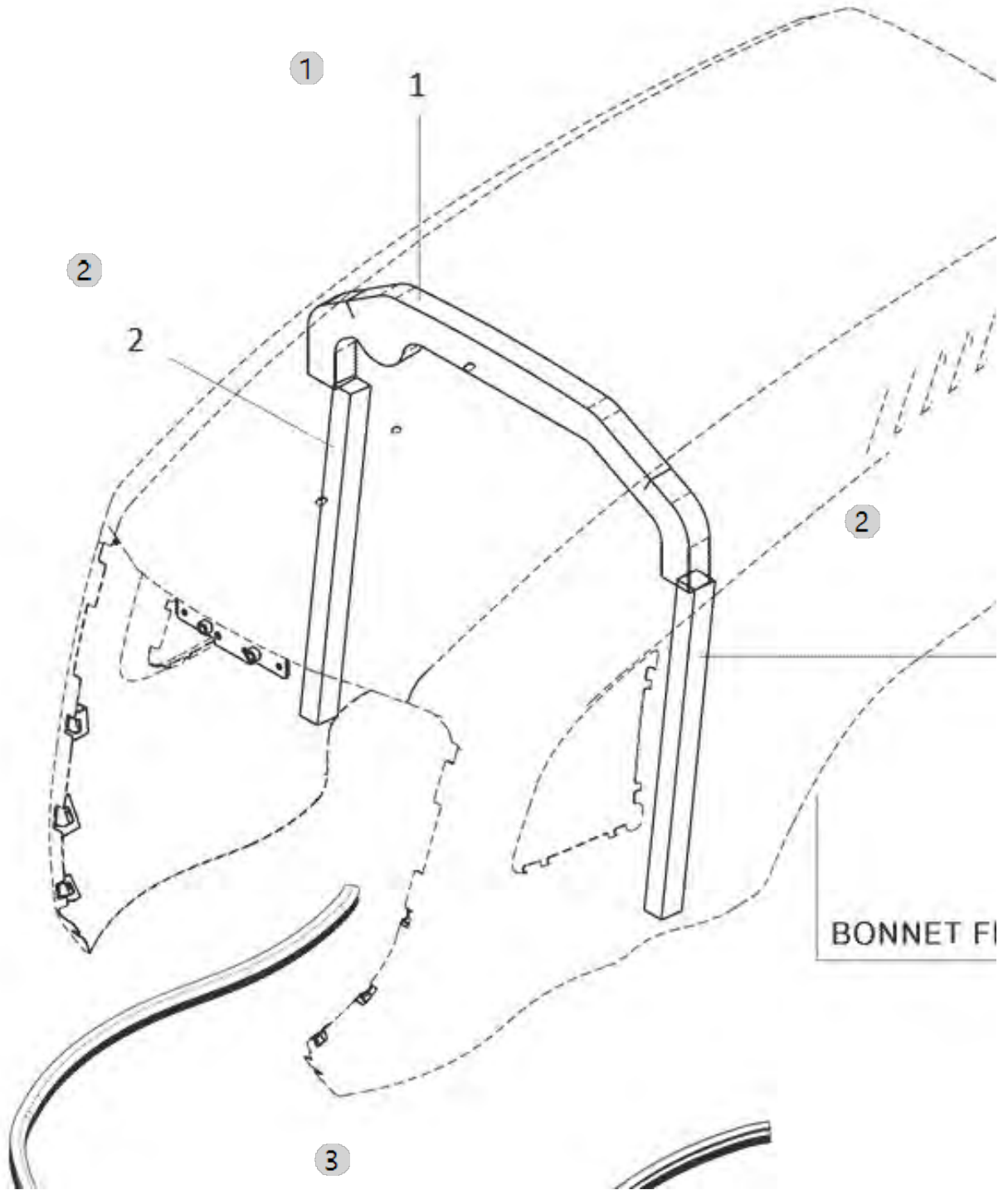
G01021

F36HN_EU_FL
(AC02130)

BONNET URETHANE

Year/Month

2023-01-17



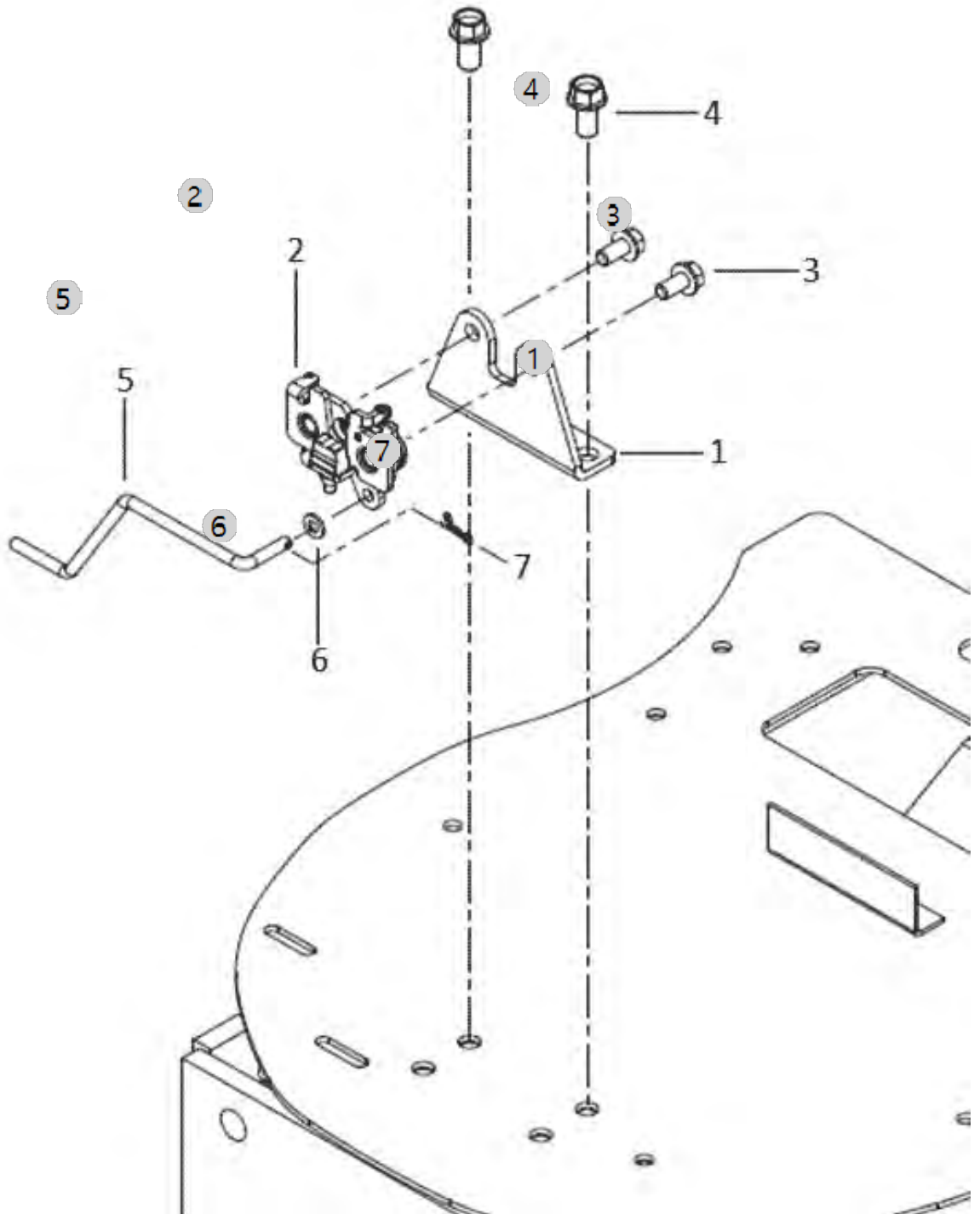
G01040

F36HN_EU_FL
(AC02130)

LOCKING ASS'Y, BONNET

Year/Month

2023-01-17



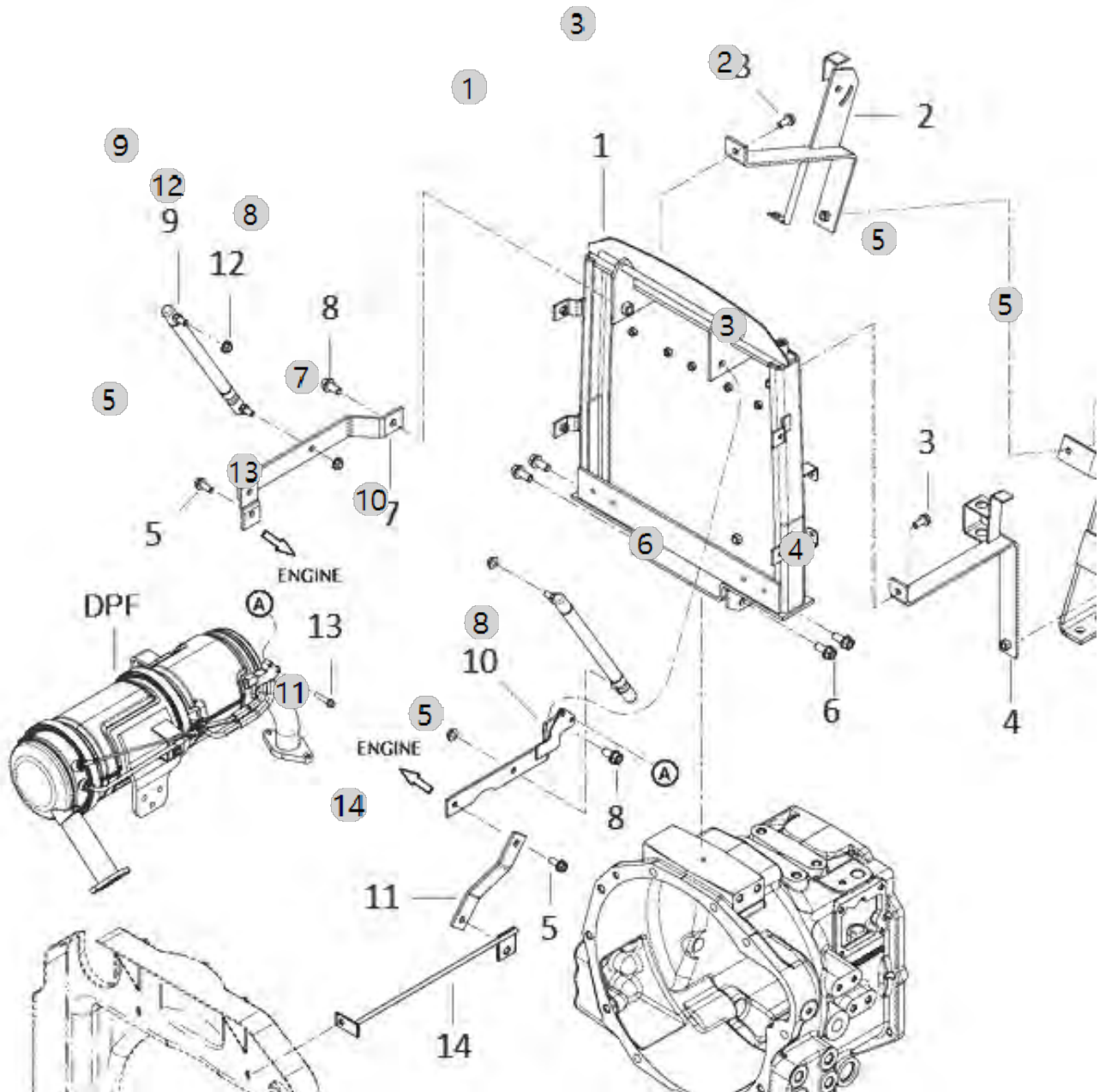
G01060A

F36HN_EU_FL
(AC02130)

FIXED BRACKET, BONNET

Year/Month

2023-01-17



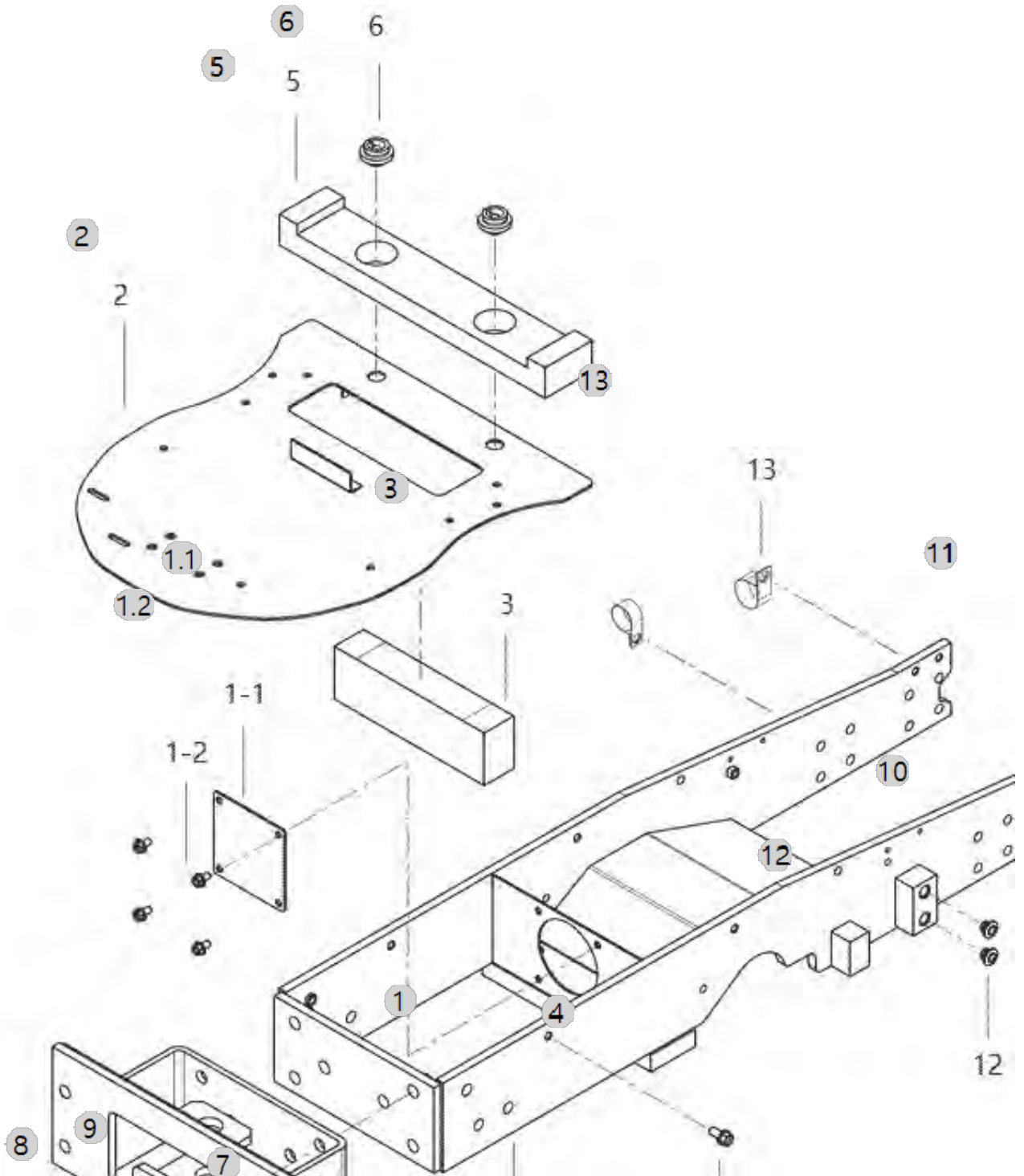
G01080

F36HN_EU_FL
(AC02130)

FRONT AXLE BRACKET

Year/Month

2023-01-17



G01080 F36HN_EU_FL (AC02130)		FRONT AXLE BRACKET				Year/Month 2023-01-17
순번 (NO)	부품번호 (PART NO)	품명 (PART NAME)	품명 (PART NAME)	수량 (QTY)	규격 (SPEC)	비고 (REMARK)
1	TA00065227B	프런트 액슬 브래킷(3)	BRACKET, FRONT AXLE	1		
1-1	TA00057575A	전방PTO먼지커버	COVER	1		
1-2	26106-080142	BOLT	SCREW,HEXFLANGEHEADCAP	4		
2	TA00065258C	플레이트 조합(ROPS)	ASSY, PLATE	1		
2	TA00065258B	플레이트 조합(ROPS)	ASSY, PLATE	1		
2	TA00065258D	플레이트 조합(ROPS)	ASSY, PLATE	1		
2	TA00065258A	플레이트 조합(ROPS)	ASSY, PLATE	1		
3	TA00040607B	우레탄(프런트액슬)	URETHANE	1		
3	TA00040607C	우레탄(프런트액슬)	URETHANE	1		
4	26106-100202	육각플랜지볼트	HEX BOLT, (10-20)	4	M10XP1.5X20	
5	TA00040608B	우레탄(라디에이터)	URETHANE	1		
6	HRA1203300A4	방진고무	RUBBER, VIBRATION PROOF	2		
7	TA00040753B	프런트히치조합	FRONT HITCH ASSY	1		
7	TA00040753D	프런트히치조합	FRONT HITCH ASS'Y	1		
7	TA00040753C	프런트히치조합	FRONT HITCH ASS'Y	1		
8	26116-160502	볼트(16*2*50)	BOLT	6		
9	22217-160000	스프링와셔	WASHER, SPRING (Φ 16)	6	M16	
10	22217-120000	스프링와셔	WASHER, SPRING (Φ 12)	16	M12	
11	TC54220000A4	볼트 M12X30	TC54220000A4	16		
11	TC54220000B4	볼트 M12X30	BOLT_M12X30	16		
12	TA00055258A	고무플러그(14)	PLUG(14)	4		
13	TA00003081A	클립M12	CLIP	2		
13	TA00003081B	클립M12	CLIP	2		

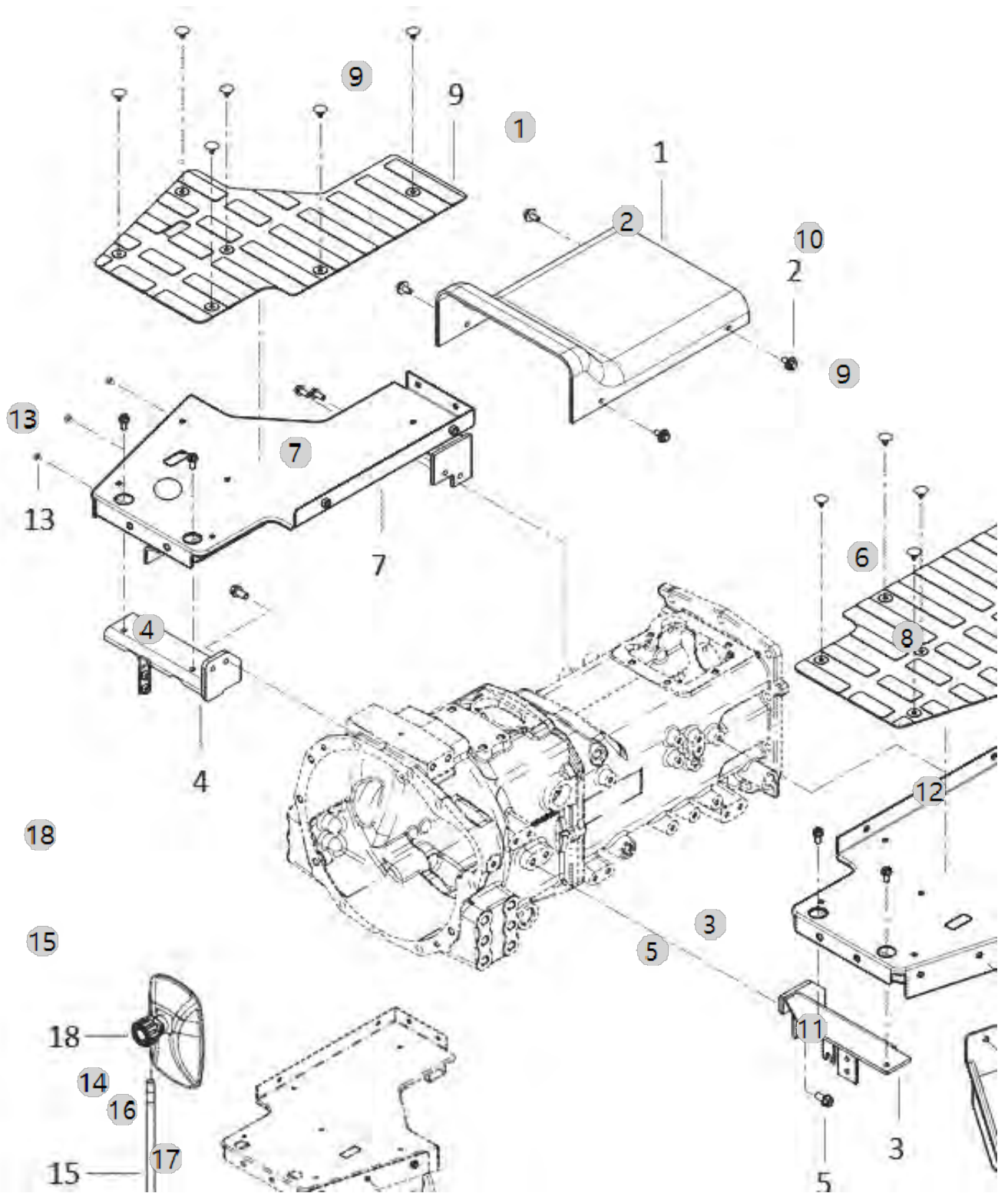
G04060

F36HN_EU_FL
(AC02130)

FOOT REST ASS'Y

Year/Month

2023-01-17



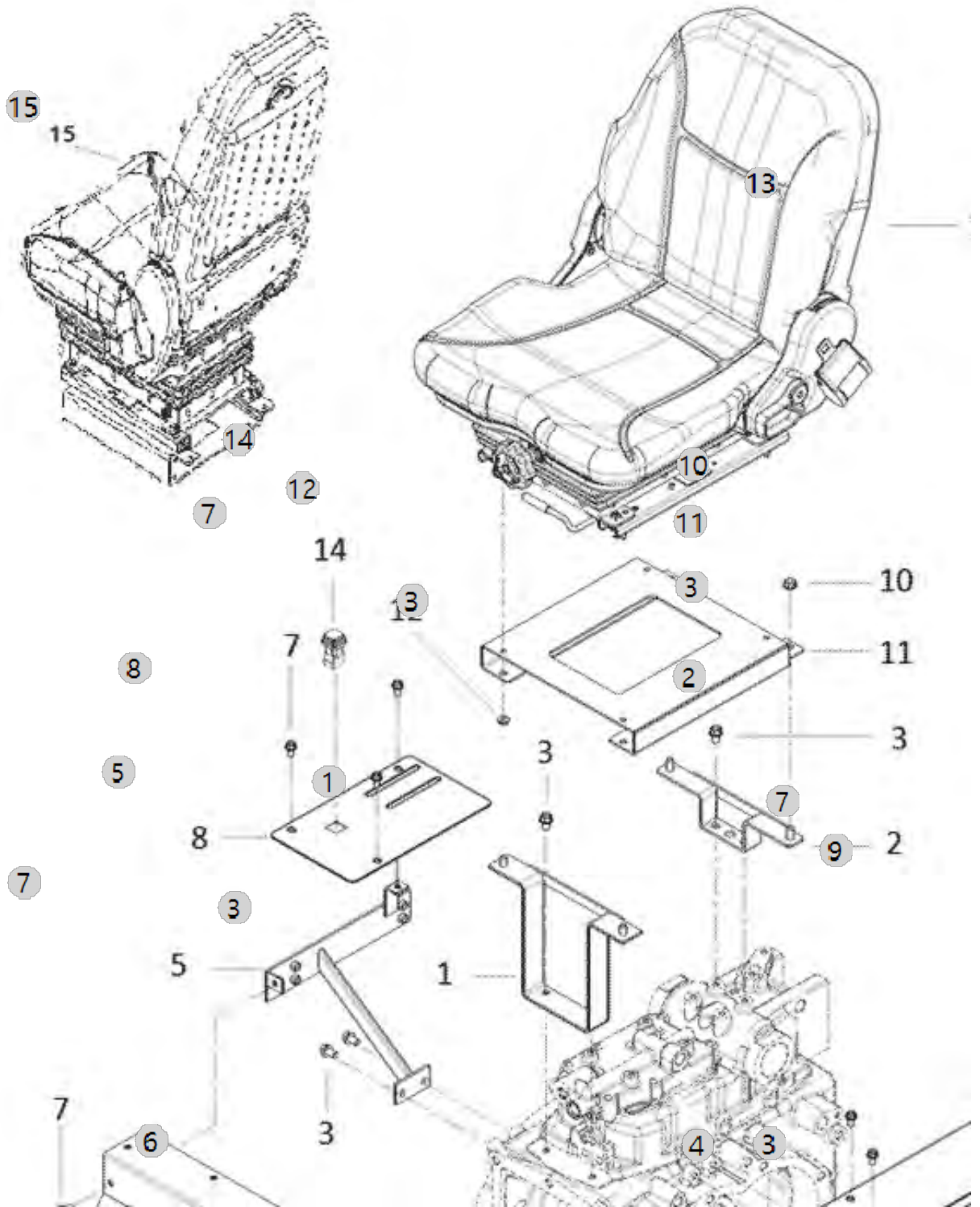
G04070

F36HN_EU_FL
(AC02130)

SEAT

Year/Month

2023-01-17



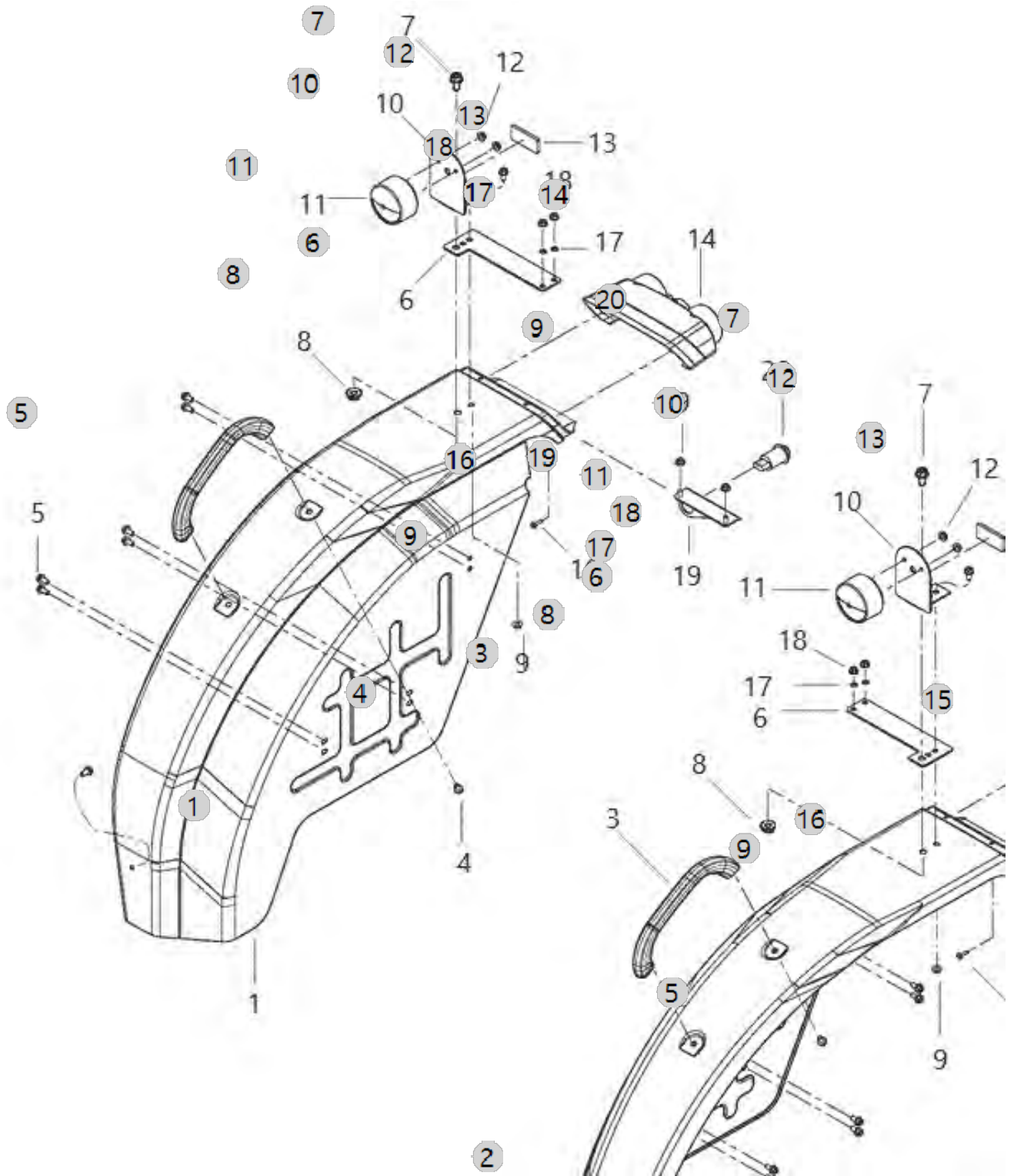
G04090

F36HN_EU_FL
(AC02130)

FENDER

Year/Month

2023-01-17



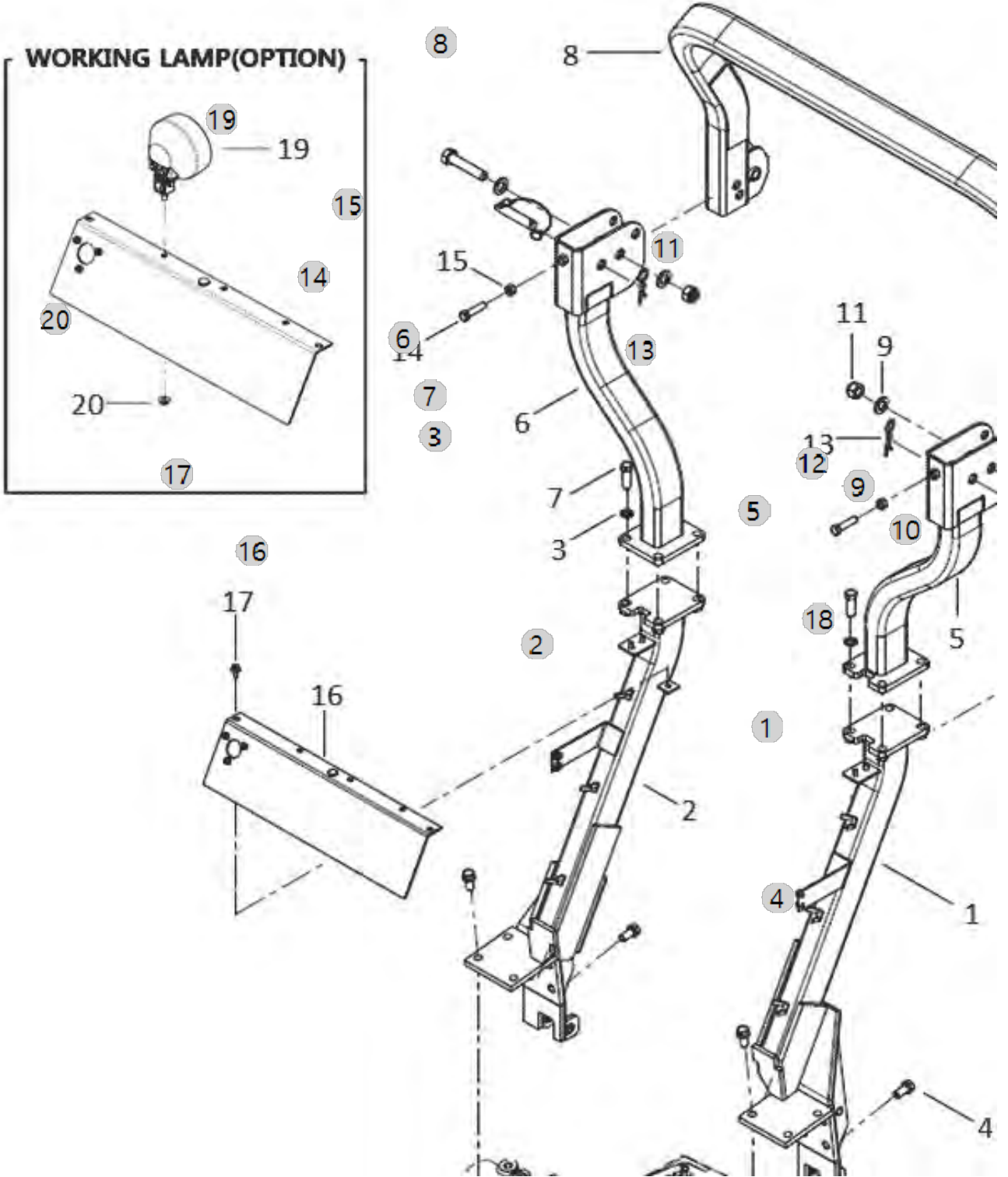
G04120

F36HN_EU_FL
(AC02130)

ROPS FRAME ASS'Y

Year/Month

2023-01-17



G04120 F36HN_EU_FL (AC02130)		ROPS FRAME ASS'Y				Year/Month 2023-01-17
순번 (NO)	부품번호 (PART NO)	품명 (PART NAME)	품명 (PART NAME)	수량 (QTY)	규격 (SPEC)	비고 (REMARK)
1	TA00040789J	하부프레임조합(내수)	LOWER FRAME ASSY	1		
1	TA00040789E	하부프레임조합(내수)	LOWER FRAME ASSY	1		
1	TA00040789G	하부프레임조합 좌(내수)	LOWER FRAME ASSY (LH)	1		
1	TA00040789B	하부프레임조합(내수)	LOWER FRAME ASSY	1		
1	TA00040789I	하부프레임조합(내수)	LOWER FRAME ASSY	1		
1	TA00040789D	하부프레임조합(내수)	LOWER FRAME ASSY	1		
1	TA00040789F	하부프레임조합(내수)	LOWER FRAME ASSY	1		
1	TA00040789H	하부프레임조합(내수)	LOWER FRAME ASSY	1		
1	TA00040789C	하부프레임조합(내수)	LOWER FRAME ASSY	1		
2	TA00040846F	하부프레임조합 우(내수)	LOWER FRAME ASSY (RH)	1		
2	TA00040846H	하부프레임조합RH(내수)	FRAME ASS'Y(R), LOWER	1		
2	TA00040846C	하부프레임조합RH(내수)	FRAME ASS'Y(R), LOWER	1		
2	TA00040846E	하부프레임조합RH(내수)	FRAME ASS'Y(R), LOWER	1		
2	TA00040846G	하부프레임조합RH(내수)	FRAME ASS'Y(R), LOWER	1		
2	TA00040846B	하부프레임조합RH(내수)	FRAME ASS'Y(R), LOWER	1		
2	TA00040846I	하부프레임조합RH(내수)	FRAME ASS'Y(R), LOWER	1		
2	TA00040846D	하부프레임조합RH(내수)	FRAME ASS'Y(R), LOWER	1		
3	22217-140000	스프링와셔14	WASHER, SPRING (Φ 14)	8	M14	
4	26013-140302	와셔조립육각볼트(+SW)	BOLT(+SW)	14	M14X2.00X03	
5	TA00039014E	중간프레임조합(좌)	LOWER FRMAE ASSY	1		
5	TA00039014G	중간프레임조합(좌)	LOWER FRMAE ASSY	1		
5	TA00039014B	중간프레임조합(좌)	LOWER FRMAE ASSY	1		
5	TA00039014D	중간프레임조합(좌)	LOWER FRMAE ASSY	1		
5	TA00039014F	중간프레임조합(좌)	MIDDLE ROPS FRAME (L)	1		
5	TA00039014C	중간프레임조합(좌)	LOWER FRMAE ASSY	1		
6	TA00039361D	중간프레임조합(우)	LOWER FRAME ASSY (RH)	1		
6	TA00039361F	중간프레임조합(우)	LOWER FRAME ASSY (RH)	1		
6	TA00039361C	중간프레임조합(우)	LOWER FRAME ASSY (RH)	1		
6	TA00039361E	중간프레임조합(우)	MIDDLE ROPS FRAME (R)	1		
6	TA00039361B	중간프레임조합(우)	LOWER FRAME ASSY (RH)	1		
7	26116-140452	볼트7T(14X45)	BOLT	8	M14X2X45	
8	TA00046791C	ROPS조합(US)	ROPS ASS'Y(US)	1		
8	TA00046791B	ROPS조합(US)	ROPS ASSY(US)	1		
9	22137-180000	평와셔	WASHER, PLAIN (Φ 18)	4		
10	26116-180902	육각볼트	BOLT	2	M18X90	
11	TA00047305A	U너트(나일론)	U-NUT	2		
11	TA00047305B	U너트(나일론)	U-NUT	2		
12	NTF8400000B3	ROPS 핀	ROPSPIN	2		
12	NTF8400000A3	ROPS핀	ROPSPIN	2		
13	TTE7010000B4	스냅핀	SNAPPIN	2	D3.2	
13	TTE7010000A4	스냅핀	SNAPPIN	2		
13	TTE7010000C4	스냅핀	SNAP PIN	2	D3.2	
14	26116-120504	육각볼트	BOLT	2	M12X1.75X50	
15	26716-120002	295,ALL,육각너트	HEXA NUT295	2	M12X1.75	
16	TA00041788B	후면커버조합(EU)	REAR COVER ASSY	1		

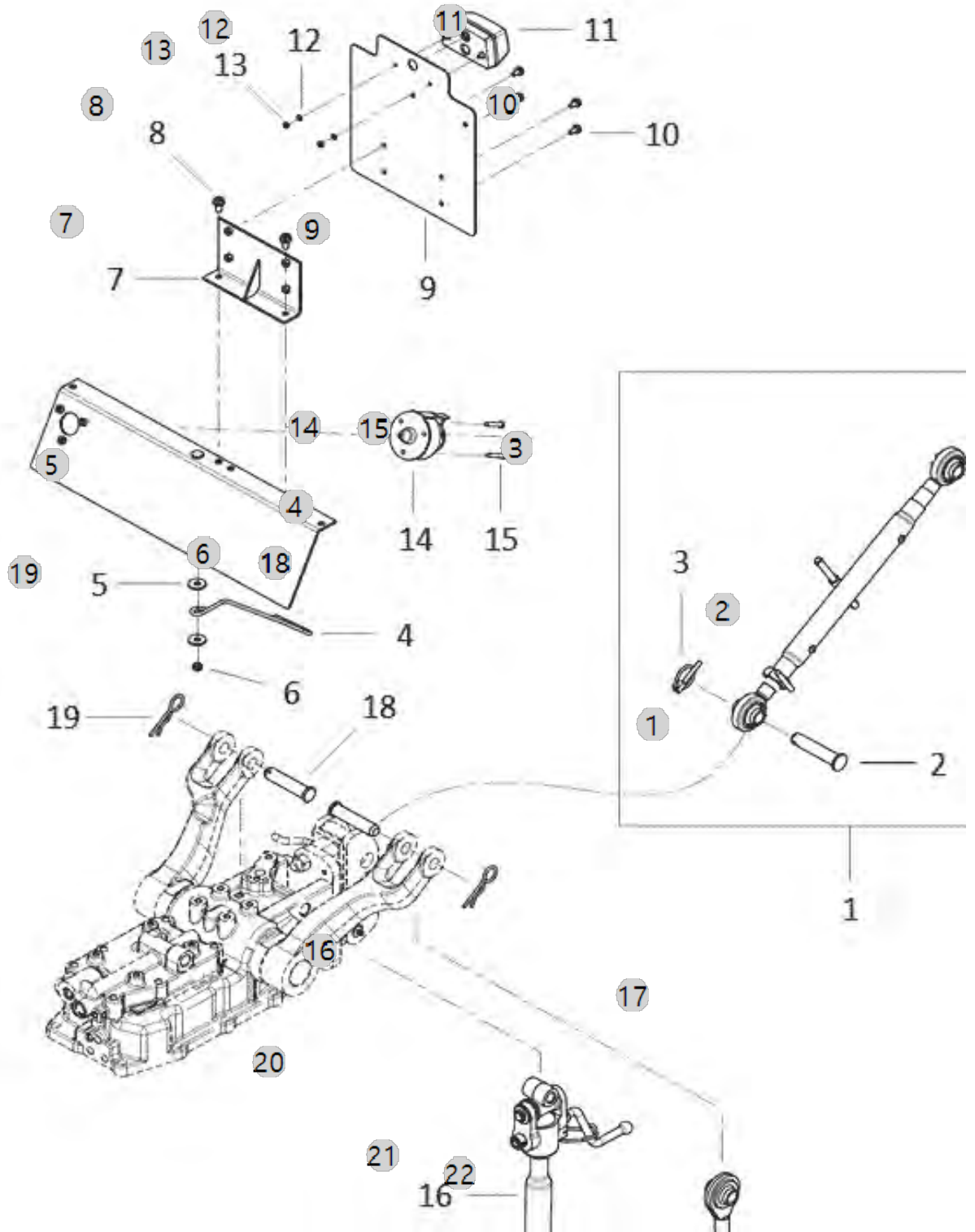
G05010

F36HN_EU_FL
(AC02130)

TOP LINK, LIFT LINK

Year/Month

2023-01-17



G05010 F36HN_EU_FL (AC02130)		TOP LINK, LIFT LINK				Year/Month 2023-01-17
순번 (NO)	부품번호 (PART NO)	품명 (PART NAME)	품명 (PART NAME)	수량 (QTY)	규격 (SPEC)	비고 (REMARK)
1	TA00039541B	탑링크 조합(하우스)	TOP LINK	1		
1	TA00039541E	탑링크 조합(하우스)	TOP LINK	1		
1	TA00039541C	탑링크 조합(하우스)	TOP LINK	1		
2	TTE6130000C4	두부핀	PIN	1	D19H10	
2	TTE6130000B4	두부핀	PIN	1	D19H10	
2	TTE6130000E4	두부핀	PIN	1	D19H10	
3	TJ30110000B4	링핀조합	RINGPINASS'Y	1		
3	TJ30110000A	SUB TO TJ30110000D4	SUB TO TJ30110000D4	1		
3	TJ30110000D4	링핀조합	RINGPINASS'Y	1		
4	TA00047007C	후크(톱링크)	HOOK(TOPLINK)	1		
4	TA00047007B	후크(톱링크)	HOOK(TOPLINK)	1		
5	22157-080000	평와셔8(대형)	WASHER, PLAIN (Φ 08)	2	M8	
6	26347-080002	U너트	Unut	1	M8XP1.25	
7	TA00040820C	번호판 브라켓 조합	BRACKET, NUMBER PLATE	1		
7	TA00040820B	번호판 브라켓 조합	BRACKET, NUMBER PLATE	1		
8	26106-080162	플랜지볼트8X16	SCREW,HEXFLANGEHEADCAP	2	M8XP1.25X16	
9	TA00018438C	번호판등 브래킷	BRACKET, NAME PLATE LAMP	1	T1.6	
9	TA00018438B	번호판등 브래킷	BRACKET NAMEPLATE LAMP	1	T1.6	
10	26106-060122	육각플랜지볼트	HEX BOLT (6-12)	4	M6XP1.0X12	
11	FBK182000EA3	번호판램프	NUMBER PLATE LAMP	1		
12	22217-050000	스프링와셔	WASHER, SPRING (Φ 05)	2	M5	
13	26716-050002	너트M5	Nut, Hexa (Φ5)	2	M5X0.8	
14	HA00000454B	트레일러 연결소켓	TRAILERSOCKET	1		
14	HA00000454A	트레일러 연결소켓	TRAILERSOCKET	1		
14	HA00000454C	트레일러 연결소켓	TRAILERSOCKET	1		
15	26557-060352	[+]자홈남비작은나사	SCREW,+GROOVE	3	M6XP1.0X35	
16	TA00040654A	리프트링크 조합(우)	LIFT LINK ASS'Y(R)	1		
17	TA00040653C	리프트링크조합(좌)	LIFT LINK ASS'Y	1		
17	TA00040653B	리프트링크조합(좌)	LIFT LINK ASS'Y	1		
17	TA00040653D	리프트링크조합(좌)	LIFT LINK ASS'Y	1		
18	TTE7290000B4	핀	PIN	2		
18	TTE7290000C4	핀	PIN	2	D19	
19	TA00059528A	빠짐방지 스톱핀16	SNAP PIN	2		
20	TTE7300000A4	리프트요크핀	PIN	2		
20	TTE7300000C4	리프트요크핀	LIFT YORK PIN	2		
20	TTE7300000B4	리프트요크핀	LIFT YORK PIN	2		
20-1	TTE730000INA4	리프트요크핀	LIFT YORK PIN	2		
20-1	TTE730000INB4	리프트요크핀	LIFT YORK PIN	2		
21	TTE7310000A4	스토퍼	STOPPER	2	T6.0X55X35	
21	TTE7310000C4	스토퍼	STOPPER	2	6T	
21	TTE7310000B4	스토퍼	STOPPER	2	6T	
22	TA00059528A	빠짐방지 스톱핀16	SNAP PIN	2		

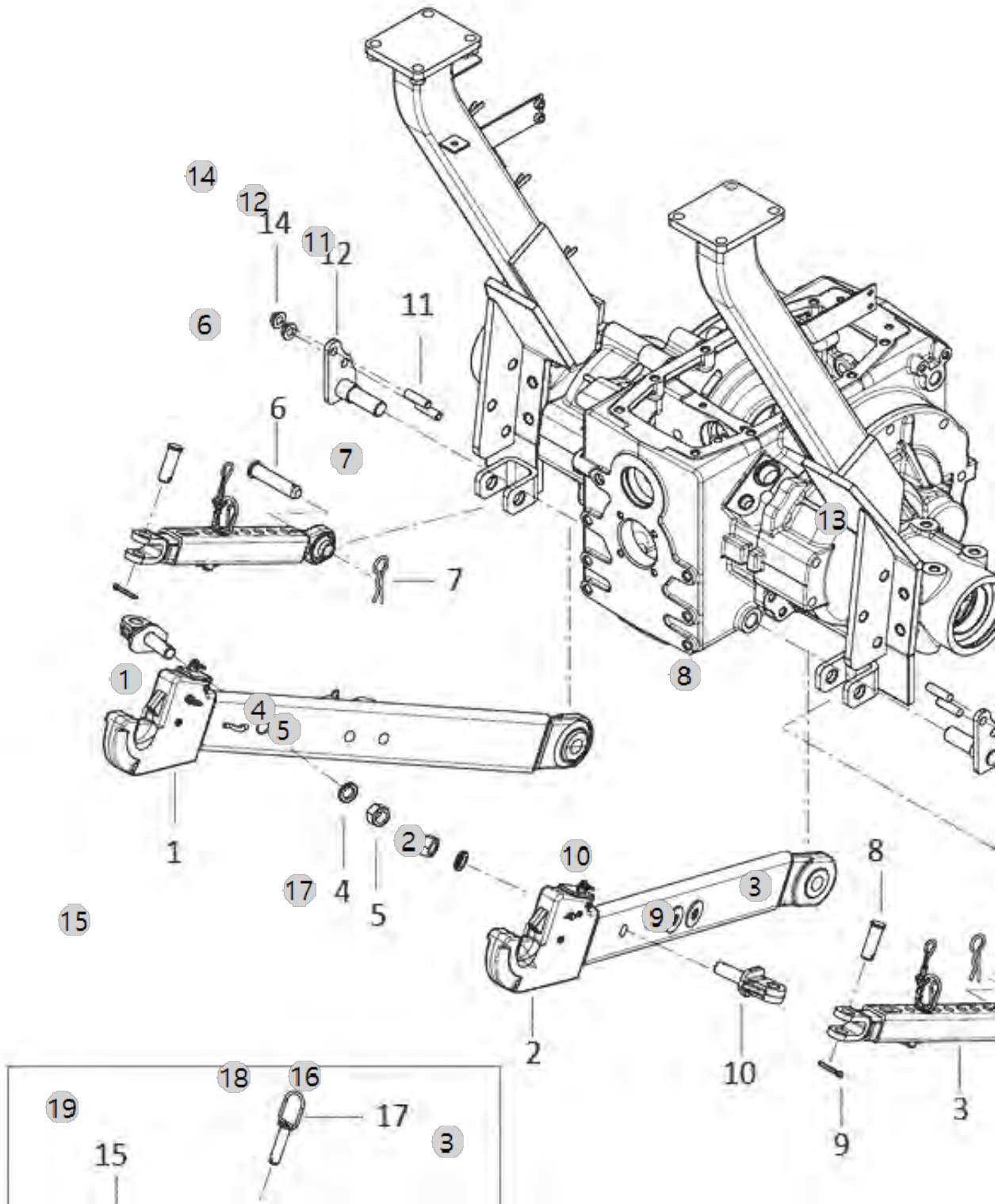
G05030

F36HN_EU_FL
(AC02130)

LOWER LINK

Year/Month

2023-01-17



G05030 F36HN_EU_FL (AC02130)	LOWER LINK	Year/Month
		2023-01-17

순번 (NO)	부품번호 (PART NO)	품명 (PART NAME)	품명 (PART NAME)	수량 (QTY)	규격 (SPEC)	비고 (REMARK)
1	TA00055188C	하부링크조합(좌)	LOWER LINK ASS'Y L	1		
1	TA00055188E	하부링크조합(좌)	LOWER LINK ASS'Y L	1		
1	TA00055188B	하부링크조합(좌)	LOWER LINK(L)	1		
1	TA00055188D	하부링크조합(좌)	LOWER LINK ASS'Y L	1		
2	TA00055189C	하부링크조합(우)	LOWER LINK ASS'Y R	1		
2	TA00055189E	하부링크조합(우)	LOWER LINK ASS'Y R	1		
2	TA00055189B	하부링크조합(우)	LOWER LINK(R)	1		
2	TA00055189D	하부링크조합(우)	LOWER LINK ASS'Y R	1		
3	TA00041947D	체크-바(K3)	CHECK-BAR	2		
3	TA00041947C	체크-바(K3)	CHECK-BAR(K3)	2		
3	TA00041947E	체크-바(K3)	CHECK-BAR	2		
3	TA00041947B	체크-바(K3)	CHECK-BAR	2		
4	22217-180000	스프링와셔	WASHER, SPRING (Φ 18)	2	M18	
5	26736-180002	너트	NUT	2	M18	
6	TTE7290000C4	핀	PIN	2	D19	
6	TTE7290000B	핀	PIN	2		
7	TA00059528A	빠짐방지 스냅핀16	SNAP PIN	2		
8	FTF0090000D4	책체인 핀	PIN, CHECK CHAIN	2		
8	FTF0090000A4	책체인핀	PIN, CHECK CHAIN	2		
8	FTF0090000C4	책체인 핀	PIN, CHECK CHAIN	2		
8	FTF0090000B4	책체인 핀	PIN, CHECK CHAIN	2		
9	22417-500320	할핀	PIN , COTTER (5-32)	2	5X32	
10	TA00016119A	연결볼트(PF)	EYE BOLT, LOWER LINK	2		
10	TA00016119C	연결볼트(PF)	BOLT	2		
10	TA00016119B	연결볼트(PF)	BOLT	2		
11	26216-120252	심음볼트	STUD BOLT	4	12X25	
12	TA00039356C	하부링크핀(좌)	LOWER LINK PIN(LH)	1		
12	TA00039356B	하부링크 핀(좌)	LOWER LINK PIN(LH)	1		
13	TA00039490C	하부링크 핀(우) 조합	LOWER LINK PIN RH ASSY	1		
13	TA00039490B	하부링크 핀(우) 조합	LOWER LINK PIN RH ASSY	1		
14	26367-120002	플랜지너트	NUT	4		
15	TA00041949A	체크-바R	CHECKBAR R	2		
16	TA00041948A	체크-바F	CHECKBAR F	2		
16	TA00041948C	체크-바F	CHECKBAR F	2		
16	TA00041948B	체크-바F	CHECKBAR F	2		
17	FBF0050000C4	체크 핀	PIN	2	-	
17	FBF0050000B4	체크 핀	CONNECT PIN	2	-	
17	FBF0050000A4	체크 핀	CONNECT PIN -> FBF0020000A2	2	-	
18	FBF0060000B4	연결고리	HOOK	2	-	
18	FBF0060000A4	연결고리	CONNECT LINK	2	-	
19	22360-140000	스냅핀	PIN , SNAP (4Φ)	2	D14	

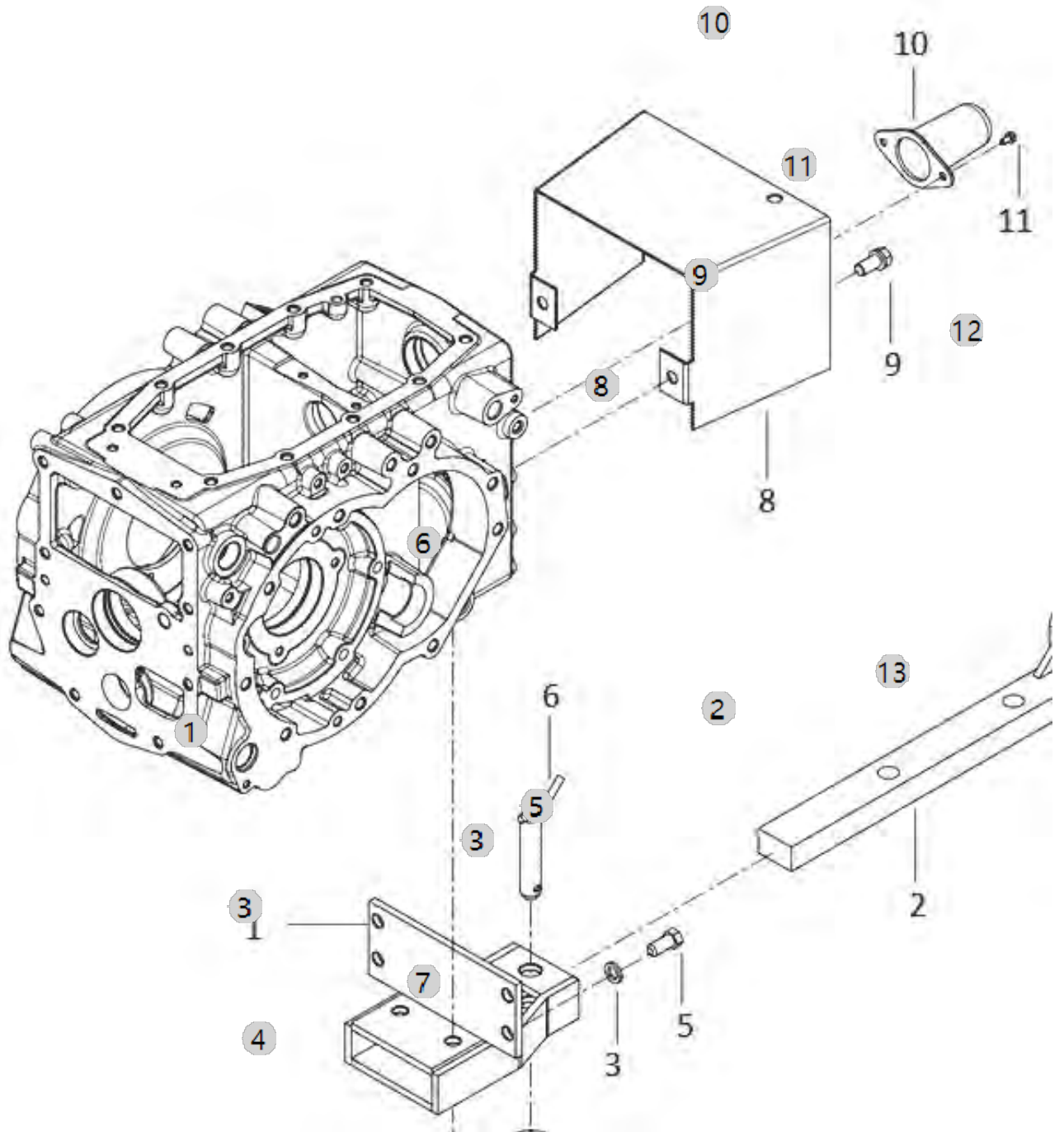
G05070

F36HN_EU_FL
(AC02130)

DRAWBAR HITCH

Year/Month

2023-01-17



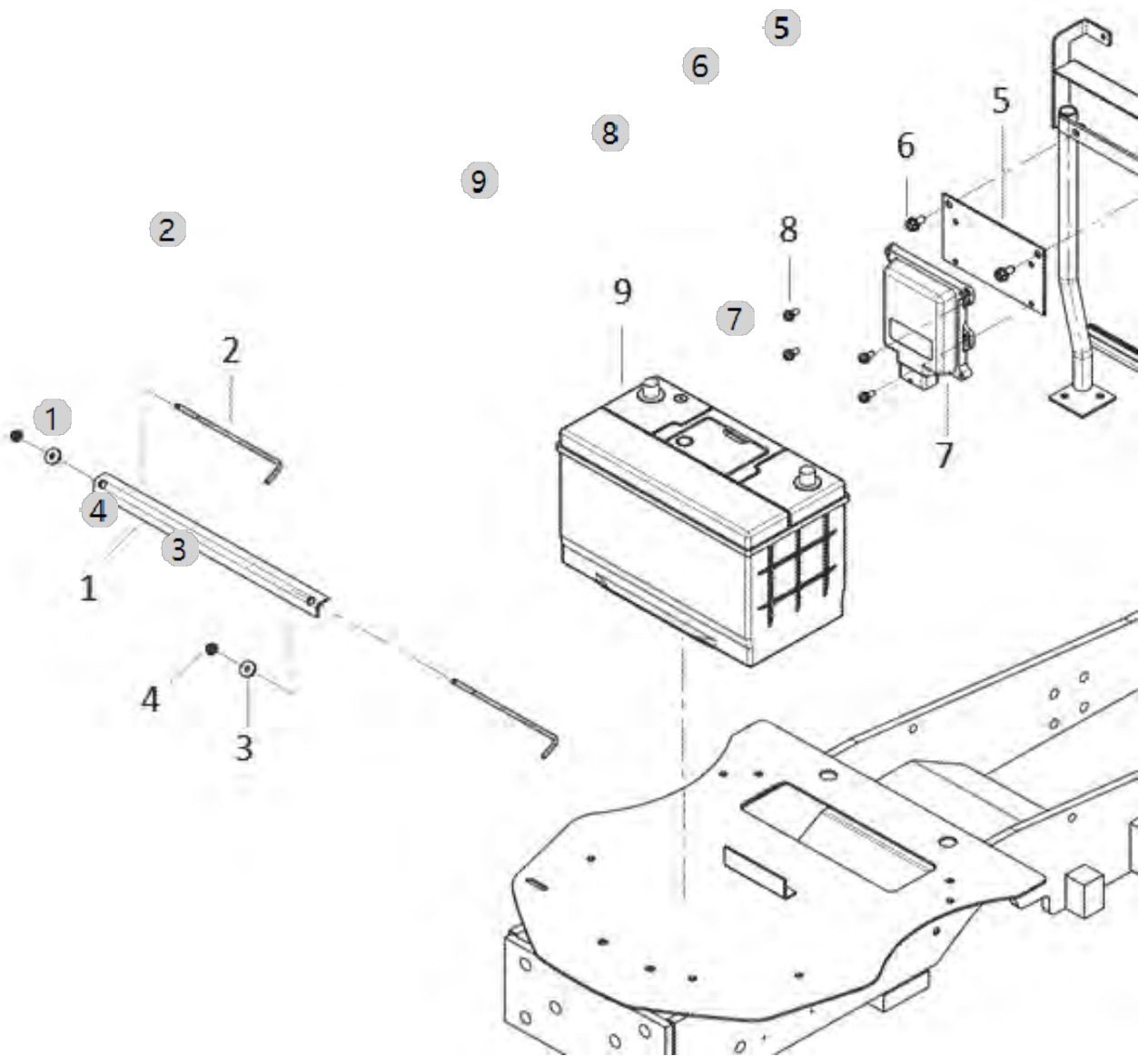
H01030

F36HN_EU_FL
(AC02130)

BATTERY

Year/Month

2023-01-17



H03000A

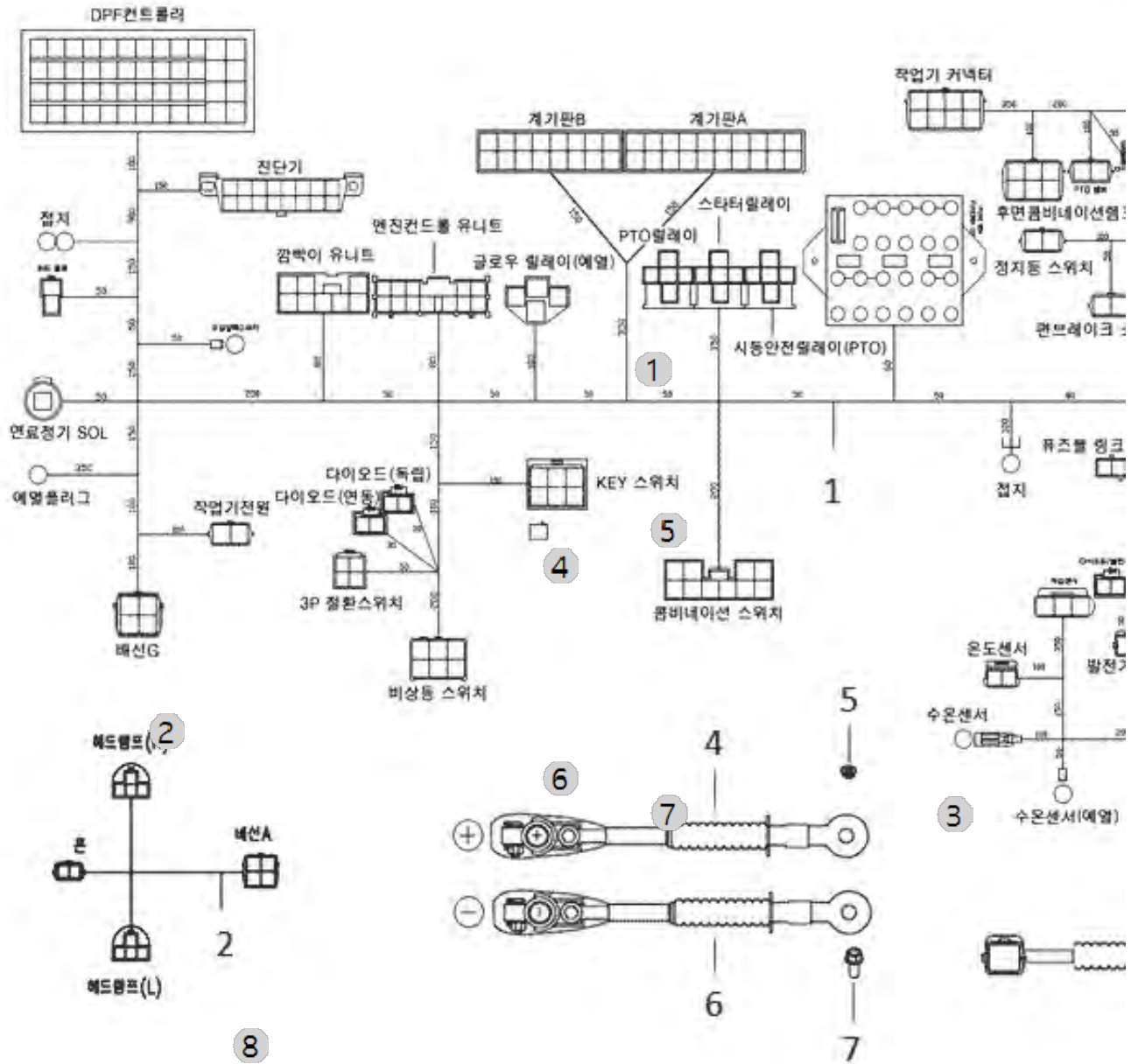
F36HN_EU_FL
(AC02130)

HARNESS

Year/Month

2023-01-17

후면



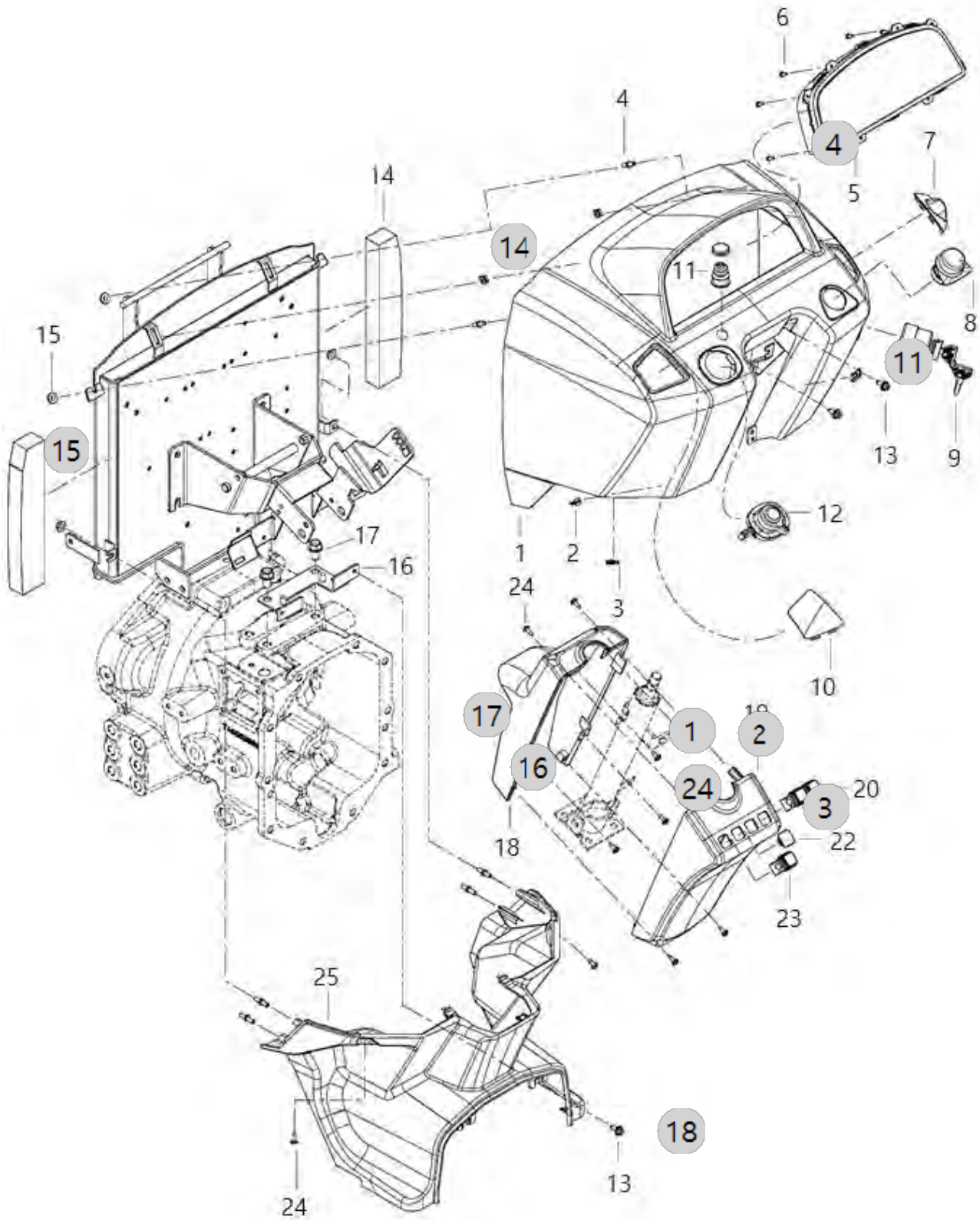
H04051

F36HN_EU_FL
(AC02130)

SWITCH/DASHBOARD

Year/Month

2023-01-17



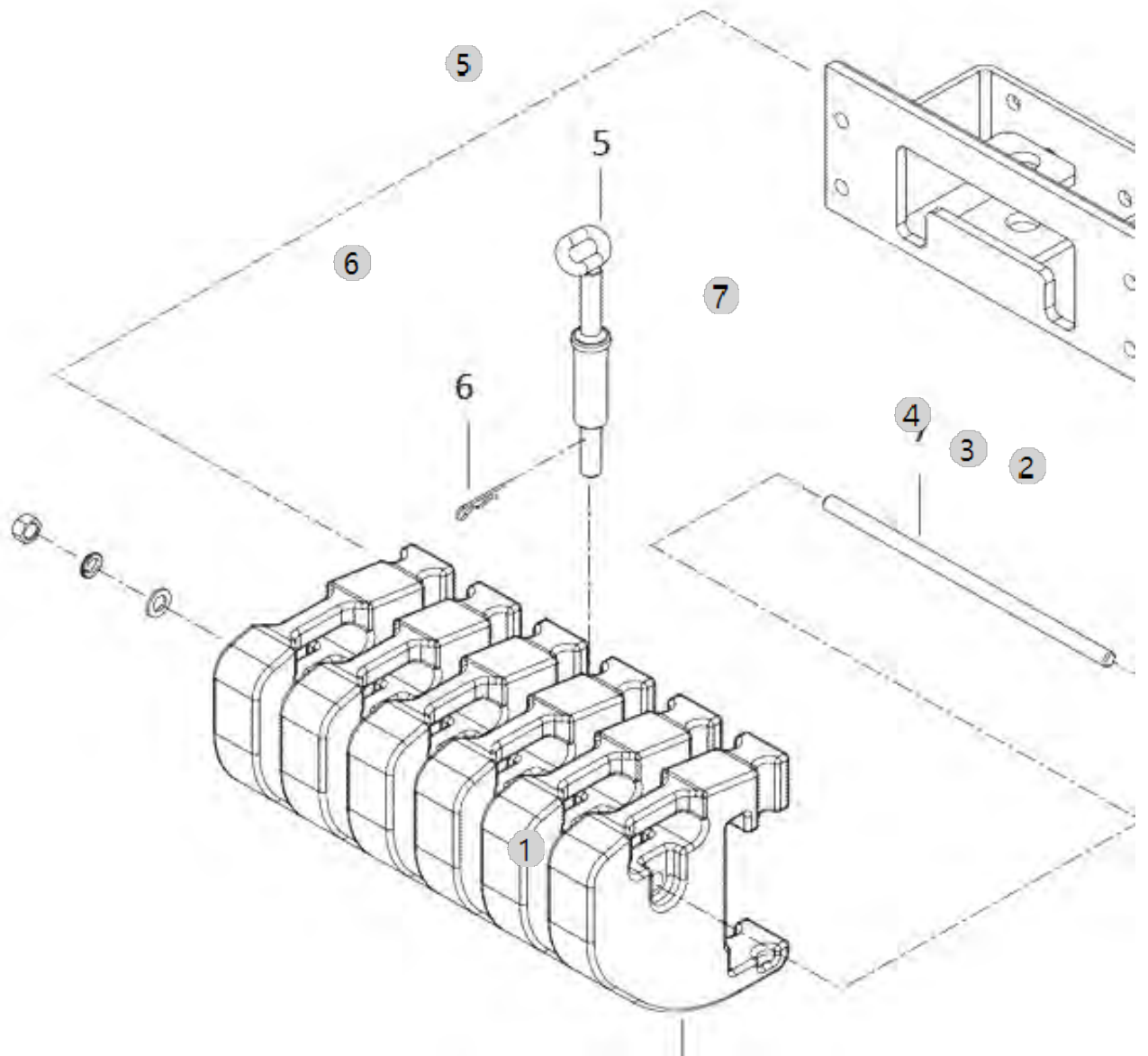
I01010

F36HN_EU_FL
(AC02130)

FRONT WEIGHT

Year/Month

2023-01-17



I03000A

F36HN_EU_FL
(AC02130)

NAME PLATE

Year/Month

2023-01-17

1-1 F36hn

1-2 F42hn

1-3 F50hn

2 TYM

3 GRASPING

4 **WARNING**
TO AVOID PERSONAL INJURY:
1. Keep PTO shields in place at all times.
2. Do not operate the PTO at speeds faster than the speed recommended by the implement manufacturer.
3. Do not touch PTO shaft components and driveline at moving position.
4. Keep hands, feet and clothing away.

5 780
560

6 **WARNING**
TO AVOID PERSONAL INJURY:
1. Do not touch any rotating parts.
2. Do not touch any hot parts.
3. Do not touch any sharp parts.
4. Do not touch any moving parts.
5. Do not touch any parts that are under tension.
6. Do not touch any parts that are under pressure.
7. Do not touch any parts that are under heat.
8. Do not touch any parts that are under vibration.
9. Do not touch any parts that are under noise.
10. Do not touch any parts that are under light.
11. Do not touch any parts that are under smell.
12. Do not touch any parts that are under taste.
13. Do not touch any parts that are under touch.

7 **ROPS MODEL-VARIAS SERIAL NUMBER**

THIS ROPS WAS MANUFACTURED BY TYM CORPORATION FOR THIS CORPORATION AND WAS TESTED IN ACCORDANCE WITH ISO 5054.
IT WAS DESIGNED FOR A MAXIMUM ENGINE HORSEPOWER OF 50HP AND FITS TYM SAGE TRACTOR.

THIS DECAL MUST BE KEPT INTACT AT ALL TIMES.
TAG007285A MADE IN KOREA

8 How to use rear PTO
Lever Rear PTO Connective

9 **WARNING**
HOT SURFACE

10 **CAUTION**
DIESEL ONLY

11 **WARNING**
DEATH OR INJURY MAY RESULT IF THE TRACTOR ROLLS OVER WITH THE ROPS IN THE FOLDED DOWN POSITION.
OPERATE THIS TRACTOR WITH THE ROPS FOLDED DOWN ONLY WHEN NECESSARY.

12 **WARNING**
Use seat belt

13 USING RAFT
AFTER RELEASING A BOLT ASSEMBLE THE CONNECTING PLATE TOWARD UPRIGHT WHEN YOU DO NOT USE TRACTOR YOU MUST RETURN CONNECTING PLATE TO THE ORIGINAL POSITION.

14

15 Vertical 700 Kg
Horizontal 4,000 Kg
e6 00099NS

16 BONNET OPEN

17 A B C

18 **DANGER**
Start only from seat in park or neutral. Starting in gear kills.

19 **CAUTION**
TO AVOID PERSONAL INJURY:
1. Do not touch any rotating parts.
2. Do not touch any hot parts.
3. Do not touch any sharp parts.
4. Do not touch any moving parts.
5. Do not touch any parts that are under tension.
6. Do not touch any parts that are under pressure.
7. Do not touch any parts that are under heat.
8. Do not touch any parts that are under vibration.
9. Do not touch any parts that are under noise.
10. Do not touch any parts that are under light.
11. Do not touch any parts that are under smell.
12. Do not touch any parts that are under taste.
13. Do not touch any parts that are under touch.

20 **WARNING**
This structure's protective capability may be impaired by structural damage, overturn, or alteration. If any of these conditions occur, the structure must be replaced.

21

22

23 1 2 3 4 5 6 7 8 9 10 HYDRA LIFT

24 ENGAGE M F W D DIS ENGAGE

25 **WARNING**
TO AVOID PERSONAL INJURY:
1. Attach pulled or towed loads to the drawbar only.
2. Use the 3-point hitch only with equipment designed for 3-point hitch usage.

26 전원차단 스위치 명판

27 **CAUTION**

28 **CAUTION**
This tractor is designed to operate with the PTO shaft at 540 RPM. If you operate at a lower or higher speed, the PTO shaft may be damaged.
Do not touch the PTO shaft or any other parts of the PTO system when the tractor is running.
Do not touch the PTO shaft or any other parts of the PTO system when the tractor is stopped.
Do not touch the PTO shaft or any other parts of the PTO system when the tractor is in gear.
Do not touch the PTO shaft or any other parts of the PTO system when the tractor is in reverse.

29

30 ON OFF START

31 **WARNING**
Before dismounting tractor
1. Stop the tractor and set the parking brake.
2. Turn the PTO off.
3. Turn the PTO shield on.
4. Turn the PTO disconnect on.
5. Turn the PTO disconnect on.
6. Turn the PTO disconnect on.
7. Turn the PTO disconnect on.
8. Turn the PTO disconnect on.
9. Turn the PTO disconnect on.
10. Turn the PTO disconnect on.

32

33 **WARNING**

I05010

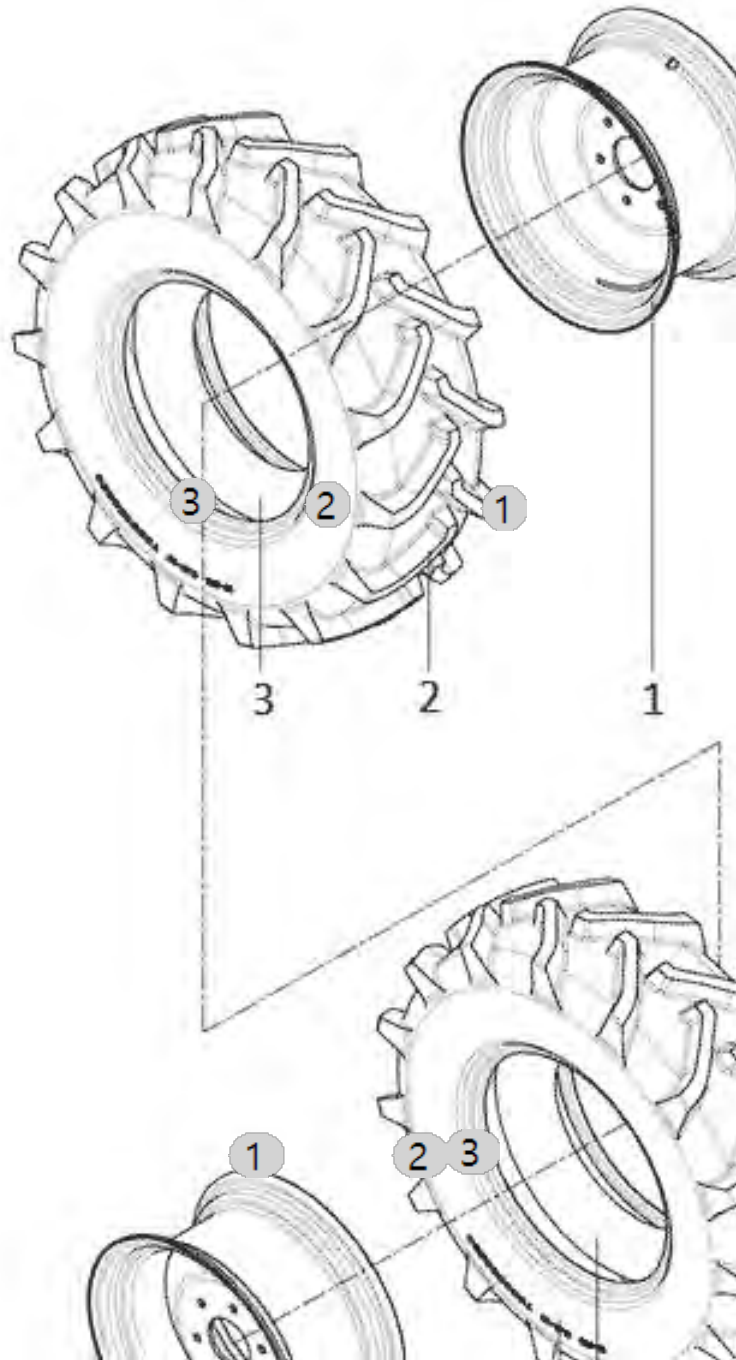
F36HN_EU_FL
(AC02130)

FRONT WHEEL&TIRE(AGRI)

Year/Month

2023-01-17

AGRI



I05020

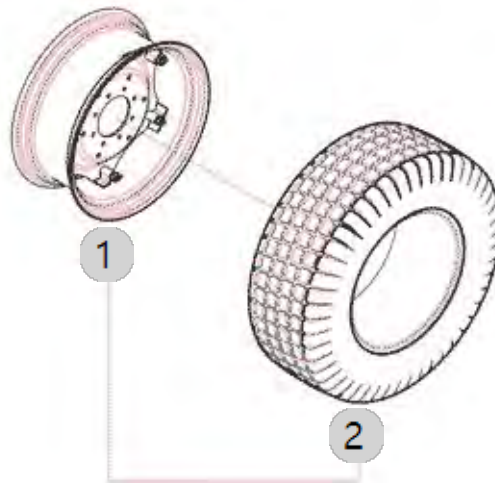
F36HN_EU_FL
(AC02130)

REAR WHEEL&TIRE(AGRI)

Year/Month

2023-01-17

TURF



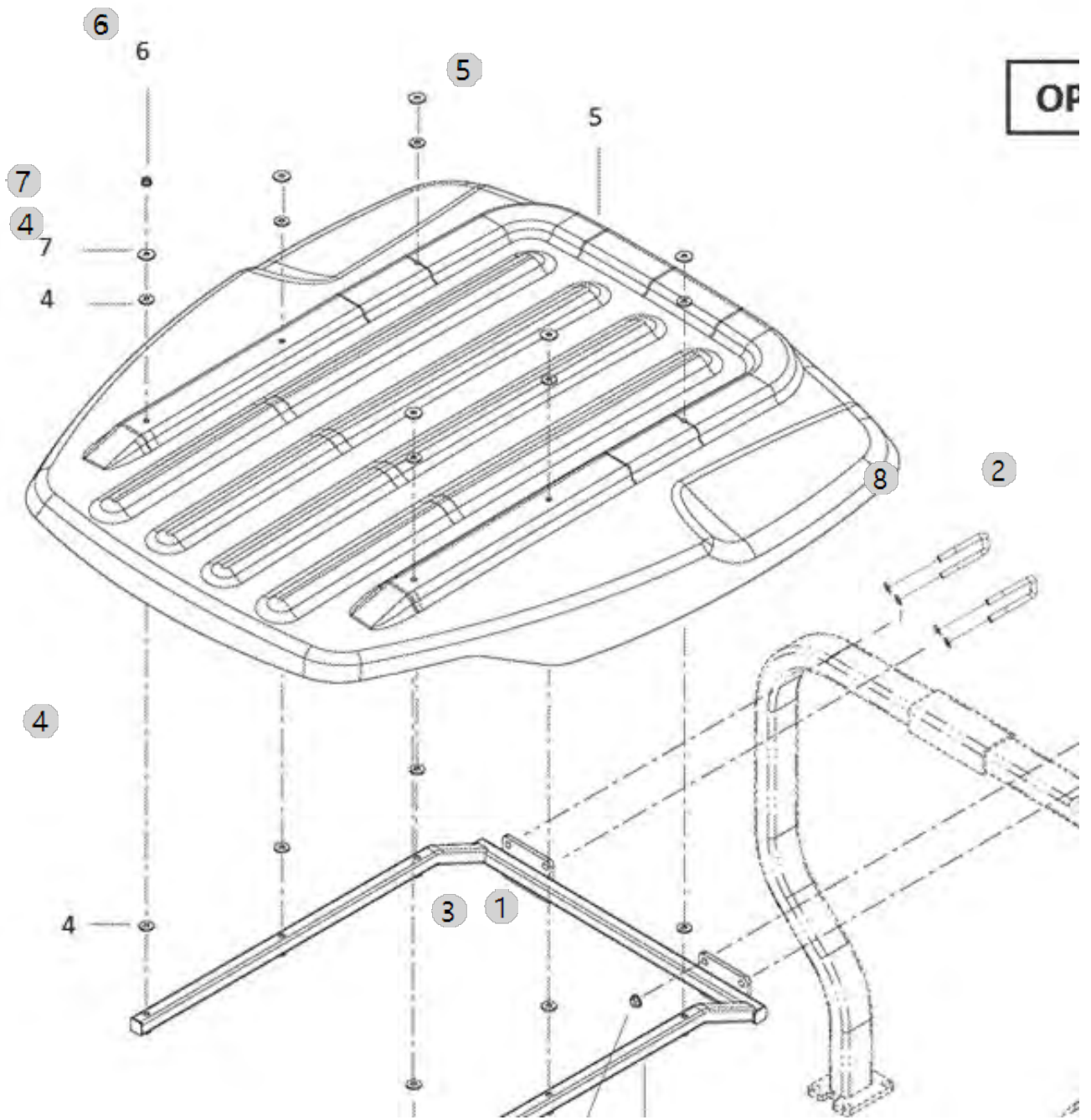
I06010

F36HN_EU_FL
(AC02130)

SUN VISOR

Year/Month

2023-01-17



I07020

F36HN_EU_FL
(AC02130)

SPARE TOOLS

Year/Month

2023-01-17

